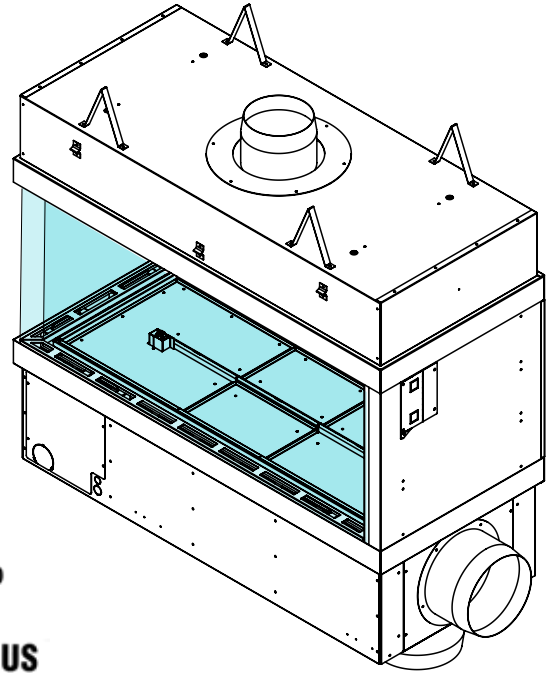


**Custom Fireplace Program
Co-linear Direct Vent
Powervented Gas Fireplaces**

**ENLIGHT COLLECTION
LEFT CORNER
Installation and Operating Manual
NG & Propane**



DO NOT DISCARD

Installer: Leave this manual with the appliance.
Consumer: Retain this manual for future reference.

WARNING: If the information in these instructions are not followed exactly, a fire or explosion may result causing property damage, personal injury or loss of life.

- Do not store or use gasoline or other flammable vapors and liquids in the vicinity of this or any other appliance.
- **WHAT TO DO IF YOU SMELL GAS**
 - Do not try to light any appliance.
 - Do not touch any electrical switch; do not use any phone in your building.
 - Immediately call your gas supplier from a neighbor's phone. Follow the gas supplier's instructions.
 - If you cannot reach your gas supplier, call the fire department.
- Installation and service must be performed by a qualified installer, service agency or the gas supplier.

DANGER



**HOT GLASS WILL
CAUSE BURNS.**

**DO NOT TOUCH GLASS
UNTIL COOLED.**

**NEVER ALLOW CHILDREN
TO TOUCH GLASS.**

**NATIONAL
FIREPLACE
INSTITUTE**



CERTIFIED
www.nficertified.org

We recommend that our gas hearth products be installed and serviced by professionals who are certified in the U.S. by the National Fireplace Institute (NFI) as NFI Gas Specialists.

**Read this manual before installing or operating this appliance.
Please retain this owner's manual for future reference.**

***Congratulations on selecting a
Stellar by Heat & Glo gas fireplace.***

You've selected a model within the Enlight Collection that is crafted to elevate even the most unique spaces. Each of our Enlight Collection's seven configurations sets the stage with the most robust flames in its class, with commercial grade components providing the utmost in safety and reliability.

As the owner of a new fireplace, you'll want to read and carefully follow all of the instructions contained in this owner's manual.

Pay special attention to all cautions and warnings.

DO NOT DISCARD.

This owner's manual should be retained for future reference. We suggest that you keep it with your other important documents and product manuals.

→ **Installation Team: at the time of install, please record the following pertinent information about the fireplace for the homeowners reference:**

Model Name: _____

Serial Number: _____ Date Installed: _____

Dealer Purchased From: _____

Dealer City/State: _____ Dealer Phone: _____

Notes: _____

If your model number has not been filled out above, please contact your dealer the fireplace purchased through directly for assistance identifying your model number by the serial number.



STELLAR

by Heat & Glo

stellar.heatnglo.com

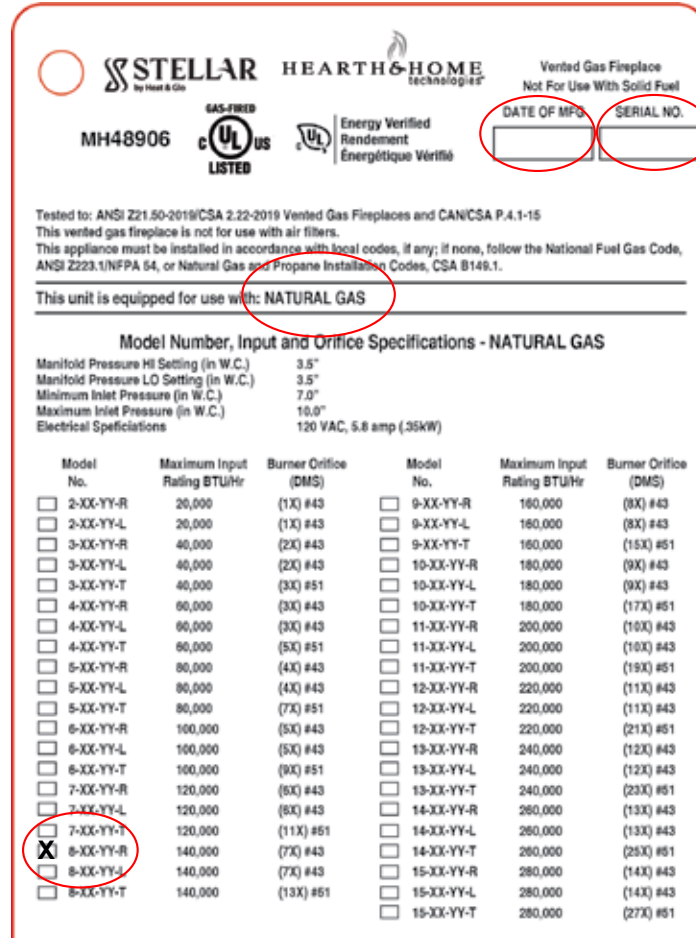
Stellar by Heat&Glo, a division of Hearth & Home Technologies, Inc.
22160 Cedar Avenue S.
Lakeville, MN 55044
(P) 952-224-4072
(E) StellarInfo@hearthnhome.com

UL RATING PLATE LOCATION & MODEL NUMBER IDENTIFICATION

The rating plate is used for multiple designs and multiple collections, and custom fireplaces.

The generic nomenclature listed on the rating plate will not identically match the model of Enlight fireplace you have.

The rating plate must stay with the fireplace and is located below the burner in an area that will only be reachable while servicing.



➔ MODEL NUMBER IDENTIFICATION

Viewing Width Of The Fireplace (Feet)

3-4-5-6-7-8 = Enlight Model

9-15 = Only Used For Custom Models

Viewing Height Of Fireplace (Inches)

20-24-30-36-48-60 = Enlight Models Only

OH = Open Hearth (All Heights)

GL = Glass, Direct Vent (All Heights)

8-XX-YY-G

Configuration Of The Fireplace

SS = Single Sided

ST = See Through

BY = Bay

PR = Pier

LC = Left Corner

RC = Right Corner

4S = Four Sided (Island)

Style Of Burner

G = Enlight Models Only,
Direct Vent (Ribbon)

R = Ribbon

L = Log Oak (Not Driftwood)

T = Torch

TABLE OF CONTENTS

Section Description	Page
➔ Introduction & Homeowners Reference	3
Table Of Contents	4-5
1 Safety Information	6
A. Safety Icon Designations	6
B. Important Safety Considerations	6
2 Commonwealth of Massachusetts Requirements	7
3 Specifications	8-11
➔ A. Fireplace Dimensions - All Sizes	8
B. Single Sided Dimensions Schematic	9
C. Fireplace Specifications	10
D. Installation Overview	10
E. Placement Clearance Requirements	10
➔ Non-Combustible Materials Specifications	10
➔ Combustible Materials Specifications	10
F. Fireplace Clearances To Combustibles	11
4 Prepare The Fireplace	12-13
A. Standoff Installation	12
B. Nailing Tab Installation	12-13
C. Shipping Bracket Support	14
➔ D. Threaded Rod Requirement	14
E. Threaded Rod Installation Example	15
5 Important Framing Notes	17-21
➔ Important Framing Notes & Framing Dimensions	17
➔ A. Framing Dimensions - Standard	18
➔ B. Framing Dimensions - Recessed Side	19
C.1 Mantel Requirements - With 1/2" Standoffs	20
C. 2 Mantel Requirements - Without 1/2" Standoffs	21
6 Glass Frame Assembly	22-23
A. Glass Frame Assembly Identification	22
B. Install Glass Frame Assembly/Glass Edge Protectors	23
C. Remove Glass Frame Assembly	23
7 Gas Line Specifications & Connection	24-25
A. Gas Line Connection	24
B. Gas & Electric Access Locations	25
8 Venting	26-43
A. Approved Venting & Powervent Systems	26
B.1 System Supply Voltage Chart	26
B.2 Powervent Supply Voltage Chart	26
C. RS Series Powervent Specifications	27
D. Chimney Collar Dimensions	27
E. RSIF Series Powervent Specifications	28
F. In-line Powervent Preparations - RSIF 180	29
G. Horizontal Vent System Clearance	30
H. Wall Pass Through	30
I. Pitot Tube Information.	30

Section Description	Page
8 Venting - Continued	26-43
J. Vertical Terminations Guidelines	31
K. Horizontal Terminations Guidelines	31
L. Horizontal Cap Location & Clearances	32
➔ M.1 Horizontal RS Powervent Placement Clearances	33
➔ M.2 Horizontal RSIF Powervent Placement Clearances	33
N. Vertical Cap Location & Clearances	34
➔ O. Vertical Cap Location & Clearances - RS12/14/16	35
➔ P. Vertical Cap Location & Clearances - RSIF160/180	35
Q.1 Wall Termination Cap Installation Without Damper	36
Q.2 Wall Termination Cap Installation With Damper	36
R.1. Roof Termination Cap Installation With Damper	37
R.2 Roof Termination Cap Installation Without Damper	37
➔ S.1 Chase Top Cap Installation Without Damper	38
➔ S.2 Chase Top Cap Installation With Damper	38
➔ T. Chimney Shroud Types & Specifications	39
➔ U. Outside Air-Intake	40
V. Changing Outside Air From The Side To The Bottom	41
➔ W. Room Air For Combustion - Toe Kick Example 1	42
➔ X. Room Air For Combustion - Toe Kick Example 2	43
9 Optional Venting Accessories	44-45
A. Vertical Air-Intake Side Chute	44
➔ B. Universal Exhaust & Intake Louver 8/10 & 12	45
10 Electrical-Includes Standard & Tethered Control Panel	46-55
➔ A. Electrical Installation Overview	46
➔ B.1 Electrical Schematic - Service	47
➔ B.2 Electrical Schematic - Install	48
➔ B.3 Junction Box & Capacitor	49
➔ C.1 Terminals 1 & 2 - LED Lights	49
➔ C.2 Terminals 3 & 4 - Main Flame (Smart Home)	50
➔ C.3 Terminals 5 & 6 - Fireplace Power	51
➔ C.4 Terminals 7 & 8 - Powervent Connection	51
➔ C.5 Terminals 9 & 10 - Flue Damper Connection	52
➔ C.6 Terminals 11 & 12 - Flue Damper Prove	52
➔ D. Tethered Control Panel Installation Overview	53
➔ E.1 Tethered Electric Wiring Schematic - Field	54
➔ E.2 Tethered Electric Wiring Schematic - Troubleshooting	55
11 Finishing	56-57
A.1 Finishing Using 1/2" Clearance Standoffs	56
A.2 Finishing Using 1/2" Clearance Standoffs	57
12 Lighting & Shutdown	58-59
A. Lighting The Fireplace	58
B. If The Fireplace Does Not Light	59
13 Inlet Pressure Testing	60

TABLE OF CONTENTS

Section Description		Page
14	Finalizing The Installation	60
	A. Installing The Glass Media	60
	B. Flame Appearance	60
15	Maintenance	61
	A. Vent System	61
	B. Glass Cleaning & Replacement	61
16	Replacement Parts	62-64
	A. Replacement Parts	62
→	B. Glass Size & Specifications	63
	C. Glass Trim Piece Identification & Part Numbers	64
17	Service & Maintenance History - Basic Troubleshooting	65-67
→	Table For Documenting Service & Maintenance History	65
→	Basic Troubleshooting	66-67
	LED Lights Remote Operating Instructions	68-78
	Hearth & Home Technologies Warranty	79-80

→ = Contains New Or Updated Information

1 - SAFETY INFORMATION

This fireplace complies with ANSI Z21.50-2019/CSA 2.22-2019 Vented Gas Fireplaces and CAN/CSA P.4.1-15.

Installation must conform with local building codes or in the absence of local building codes, with the National Fuel Gas Code, ANSIZ223.1/NFPA 54 - Current Edition, or the Natural or Propane Installation Code, CSAB149.1

A. SAFETY ICON DESIGNATIONS

Various safety icons appear throughout this installation manual. Please familiarize yourself with the icons making sure you understand the serious consequences that may occur if ignored or of handling the products inappropriately.



IMPORTANT NOTE

This indicates additional instructions that you should consider during the installation.



DO NOT

This indicates something that you must never do.



RISK OF FIRE

This designates a danger of risk of fire or damage to property.



HOT GLASS WARNING

This indicates danger of serious bodily injury or property damage if glass is handled while still hot.



CAUTION

This indicates danger of serious bodily injury or property damage



STOP!

This indicates notes that may include reviewing warnings on other pages throughout the manual

B. IMPORTANT SAFETY CONSIDERATIONS

- Installation and repair should be done only by a qualified service person. The appliance should be inspected by a qualified service person before use. Annual inspection by a qualified service person is required to maintain warranty. When drawing room air for combustion more frequent cleaning may be required due to excessive lint from carpeting, bedding materials, etc. It is imperative that control compartments, burners and circulation air passageways of the appliance be kept clean.
- Children and adults should be alerted to the hazards of high surface temperatures and should stay away to avoid burns or clothing ignition.
- Young children should be carefully supervised when they are in the same room as the appliance. Toddlers, young children and others may be susceptible to accidental contact burns. A physical barrier is recommended if there are at risk individuals in the house. To restrict access to a fireplace or stove, install an adjustable safety gate to keep toddlers, young children and other at risk individuals out of the room and away from hot surfaces.
- Clothing or other flammable material should not be placed on or near the appliance.
- Adequate accessibility clearances for servicing and proper operation must be maintained.
- This appliance must not share or be connected to a chimney flue serving any other appliance.
- Keep area around the appliance clear of combustible materials, gasoline and other flammable vapor and liquids.
- The flow of combustion and ventilation air must not be obstructed.
- Due to high temperatures the appliance should be located out of traffic and away from furniture and draperies.
- The glass front or any part removed for servicing the appliance must be replaced prior to operating the appliance. Work should be done by a qualified service technician.
- Clean glass only when cool and only with non-abrasive cleansers.
- Do not operate this appliance with the glass/frame assembly removed, cracked or broken. Replacement of the glass assembly must only be performed by a licensed or qualified service person. **DO NOT SUBSTITUTE MATERIALS.**
- Do not strike or slam glass assembly.
- Keep burner and control compartment clean.
- Do not use this fireplace if any part has been under water. Immediately call a qualified service technician to inspect this appliance and to replace any part of the control system and any gas control which has been under water.
- **DANGER:** Under no circumstances should any solid fuel (wood, coal, paper or cardboard etc.) be used in this appliance.
- **STATE OF CA WARNING:** This product and the fuels used to operate this product (liquid propane or natural gas), and the combustion of such fuels, can expose you to chemicals including benzene, which is known to the State of California to cause cancer and reproductive harm.

For more information go to: www.P65Warnings.ca.gov.

2 - COMMONWEALTH OF MASSACHUSETTS REQUIREMENTS



NOTE: THE FOLLOWING REQUIREMENTS REFERENCE VARIOUS MASSACHUSETTS AND NATIONAL CODES NOT CONTAINED IN THIS MANUAL.

For all sidewall horizontally vented gas fueled equipment installed in every dwelling, building or structure used in whole or in part for residential purposes, including those owned or operated by the Commonwealth and where the side wall exhaust vent termination is less than (7) feet above finished grade in the area of the venting, including but not limited to decks and porches, the following requirements shall be satisfied:

INSTALLATION OF CARBON MONOXIDE DETECTORS

At time of installation of side wall horizontally vented gas fueled equipment, the installing plumber or gas-fitter shall observe that a hard wired carbon monoxide detector with an alarm and battery back-up is installed on the floor level where the gas equipment is to be installed. In addition, the installing plumber or gas-fitter shall observe that a battery operated or hard wired carbon monoxide detector is installed on each additional level of the dwelling, building or structure served by the side wall horizontal vented gas fueled equipment. It shall be the responsibility of the property owner to secure the services of qualified licensed professionals for the installation of hard wired carbon monoxide detectors.

In the event that the side wall horizontally vented gas fueled equipment is installed in a crawl space or attic, the hard wired carbon monoxide detector with alarm and battery back-up may be installed on the next adjacent floor level.

In the event that the requirements of this subdivision can not be met at the time of completion of installation, the owner shall have a period of thirty (30) days to comply with the above requirements; provided, however, that during said thirty (30) day period, a battery operated carbon monoxide detector with an alarm shall be installed.

APPROVED CARBON MONOXIDE DETECTORS

Each carbon monoxide detector as required in accordance with the above provisions shall comply with NFPA 720 and be ANSI/UL 2034 listed and IAS certified.

SIGNAGE

A metal or plastic identification plate shall be permanently mounted to the exterior of the building at a minimum of eight (8) feet above grade directly in line with the exhaust vent terminal for the horizontally vented gas fueled heating appliance or equipment. The sign shall read, in print no less the one-half inch (1/2) in size, "GAS VENT DIRECTLY BELOW. KEEP CLEAR OF ALL OBSTRUCTIONS".

INSPECTION

The state or local gas inspector of the side wall horizontally vented gas fueled equipment shall not approve the installation unless, upon inspection, the inspector observes carbon monoxide detectors and signage installed in accordance with the provisions of 248 CMR 5.08 (2) (a) 1 through 4.

EXEMPTIONS

The following equipment is exempt from 248 CMR 5.08 (2) (a) 1 through 4: The equipment listed in Chapter 10 entitled "Equipment Not Required To Be Vented" in the most current edition of NFPA 54 as adopted by the Board; and Product Approved side wall horizontally vented gas fueled equipment installed in a room or structure separate from the dwelling, building or structure used in whole or in part for residential purposes.

MANUFACTURES REQUIREMENTS GAS EQUIPMENT VENTING SYSTEM PROVIDED

When the manufacturer of Product Approved side wall horizontally vented gas equipment provides a venting system design or venting system components with the equipment, the instructions provided by the manufacturer for installation of the equipment and the venting system shall include:

Detailed instructions for the installation of the venting system design or the venting system components; and a complete parts list for the venting system design or venting system.

MANUFACTURES REQUIREMENTS GAS EQUIPMENT VENTING SYSTEM NOT PROVIDED

When the manufacturer of Product Approved side wall horizontally vented gas equipment does not provide the parts for venting the flue gases, but identifies "special venting systems", the following requirements shall be satisfied by the manufacturer:

The referenced "special venting systems" instructions shall be included with the appliance or equipment installation instructions and; the "special venting systems" shall be Product Approved by the Board, and the instructions for that system shall include a parts list and detailed Installation instructions.

A copy of all installation instructions for all Product Approved side wall horizontally vented gas fueled equipment, all venting instructions, all parts lists for venting instructions, and/or all venting design instructions shall remain with the appliance or equipment at the completion of the installation.

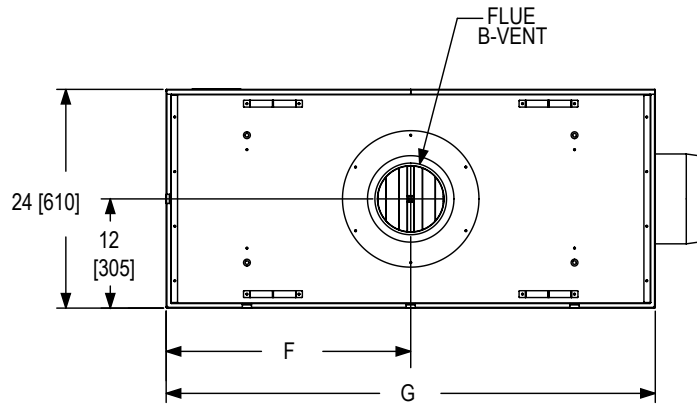
3 - SPECIFICATIONS

	B-VENT	AIR INTAKE	Finishing Width - Front	Finishing Height	Finishing Width-End	Height To Trim Top	Overall Height	Center Of Vent	Overall Width	Weight
	The dimensions in green are the allowable finishing width and height required to fit the glass into the fireplace; must not overlap onto glass.									
MODEL #	Ø	Ø	A	B	C	D	E	F	H	LBS/KG
3-LC-20-G	8"	10"	39-31/32 [1,015]	20 [508]	22-3/16 [564]	38 [1,067]	46 [1,168]	20-7/8 [530]	41-3/4 [1,065]	366 [166]
4-LC-20-G	8"	10"	51-31/32 [1,320]	20 [508]	22-3/16 [564]	38 [1,067]	46 [1,168]	26-7/8 [683]	53-3/4 [1,365]	446 [202]
5-LC-20-G	8"	10"	63-31/32 [1,625]	20 [508]	22-3/16 [564]	38 [1,067]	46 [1,168]	32-7/8 [835]	65-3/4 [1,670]	526 [239]
6-LC-20-G	10"	10"	75-31/32 [1,930]	20 [508]	22-3/16 [564]	38 [1,067]	46 [1,168]	38-7/8 [987]	77-3/4 [1,975]	508 [276]
7-LC-20-G	10"	10"	87-31/32 [2,234]	20 [508]	22-3/16 [564]	38 [1,067]	46 [1,168]	44-7/8 [1,140]	89-3/4 [2,280]	688 [321]
8-LC-20-G	10"	12"	99-22/23 [2,539]	20 [508]	22-3/16 [564]	40 [1,016]	52 [1,321]	50-7/8 [1,292]	101-3/4 [2,584]	806 [366]
3-LC-24-G	8"	10"	39-31/32 [1,015]	24 [610]	22-3/16 [564]	42 [1,067]	50 [1,270]	20-7/8 [530]	41-3/4 [1,065]	388 [176]
4-LC-24-G	8"	10"	51-31/32 [1,320]	24 [610]	22-3/16 [564]	42 [1,067]	50 [1,270]	26-7/8 [683]	53-3/4 [1,365]	472 [214]
5-LC-24-G	8"	10"	63-31/32 [1,625]	24 [610]	22-3/16 [564]	42 [1,067]	50 [1,270]	32-7/8 [835]	65-3/4 [1,670]	555 [252]
6-LC-24-G	10"	10"	75-31/32 [1,930]	24 [610]	22-3/16 [564]	42 [1,067]	50 [1,270]	38-7/8 [987]	77-3/4 [1,975]	640 [290]
7-LC-24-G	10"	10"	87-31/32 [2,234]	24 [610]	22-3/16 [564]	42 [1,067]	50 [1,270]	44-7/8 [1,140]	89-3/4 [2,280]	727 [328]
8-LC-24-G	10"	12"	99-22/23 [2,539]	24 [610]	22-3/16 [564]	44 [1,118]	56 [1,422]	50-7/8 [1,292]	101-3/4 [2,584]	848 [385]
3-LC-30-G	8"	10"	39-31/32 [1,015]	30 [762]	22-3/16 [564]	48 [1,219]	56 [1,422]	20-7/8 [530]	41-3/4 [1,065]	420 [191]
4-LC-30-G	8"	10"	51-31/32 [1,320]	30 [762]	22-3/16 [564]	48 [1,219]	56 [1,422]	26-7/8 [683]	53-3/4 [1,365]	510 [231]
5-LC-30-G	8"	10"	63-31/32 [1,625]	30 [762]	22-3/16 [564]	48 [1,219]	56 [1,422]	32-7/8 [835]	65-3/4 [1,670]	600 [272]
6-LC-30-G	10"	10"	75-31/32 [1,930]	30 [762]	22-3/16 [564]	48 [1,219]	56 [1,422]	38-7/8 [987]	77-3/4 [1,975]	692 [314]
7-LC-30-G	10"	10"	87-31/32 [2,234]	30 [762]	22-3/16 [564]	48 [1,219]	56 [1,422]	44-7/8 [1,140]	89-3/4 [2,280]	782 [355]
8-LC-30-G	10"	12"	99-22/23 [2,539]	30 [762]	22-3/16 [564]	50 [1,270]	62 [1,574]	50-7/8 [1,292]	101-3/4 [2,584]	910 [413]
3-LC-36-G	8"	10"	39-31/32 [1,015]	36 [914]	22-3/16 [564]	54 [1,372]	62 [1,575]	20-7/8 [530]	41-3/4 [1,065]	452 [205]
4-LC-36-G	8"	10"	51-31/32 [1,320]	36 [914]	22-3/16 [564]	54 [1,372]	62 [1,575]	26-7/8 [683]	53-3/4 [1,365]	550 [249]
5-LC-36-G	8"	10"	63-31/32 [1,625]	36 [914]	22-3/16 [564]	54 [1,372]	62 [1,575]	32-7/8 [835]	65-3/4 [1,670]	649 [295]
6-LC-36-G	10"	10"	75-31/32 [1,930]	36 [914]	22-3/16 [564]	54 [1,372]	62 [1,575]	38-7/8 [987]	77-3/4 [1,975]	742 [337]
7-LC-36-G	10"	10"	87-31/32 [2,234]	36 [914]	22-3/16 [564]	54 [1,372]	62 [1,575]	44-7/8 [1,140]	89-3/4 [2,280]	838 [380]
8-LC-36-G	10"	12"	99-22/23 [2,539]	36 [914]	22-3/16 [564]	56 [1,422]	68 [1,727]	50-7/8 [1,292]	101-3/4 [2,584]	973 [441]
3-LC-48-G	8"	10"	39-31/32 [1,015]	48 [1,219]	22-3/16 [564]	66 [1,676]	74 [1,880]	20-7/8 [530]	41-3/4 [1,065]	518 [235]
4-LC-48-G	8"	10"	51-31/32 [1,320]	48 [1,219]	22-3/16 [564]	66 [1,676]	74 [1,880]	26-7/8 [683]	53-3/4 [1,365]	626 [284]
5-LC-48-G	8"	10"	63-31/32 [1,625]	48 [1,219]	22-3/16 [564]	66 [1,676]	74 [1,880]	32-7/8 [835]	65-3/4 [1,670]	734 [333]
6-LC-48-G	10"	10"	75-31/32 [1,930]	48 [1,219]	22-3/16 [564]	66 [1,676]	74 [1,880]	38-7/8 [987]	77-3/4 [1,975]	842 [382]
7-LC-48-G	10"	10"	87-31/32 [2,234]	48 [1,219]	22-3/16 [564]	66 [1,676]	74 [1,880]	44-7/8 [1,140]	89-3/4 [2,280]	951 [431]
8-LC-48-G	10"	12"	99-22/23 [2,539]	48 [1,219]	22-3/16 [564]	68 [1,727]	80 [2,032]	50-7/8 [1,292]	101-3/4 [2,584]	1,098 [498]
3-LC-60-G	8"	10"	39-31/32 [1,015]	60 [1,524]	22-3/16 [564]	78 [1,981]	86 [2,184]	20-7/8 [530]	41-3/4 [1,065]	517 [235]
4-LC-60-G	8"	10"	51-31/32 [1,320]	60 [1,524]	22-3/16 [564]	78 [1,981]	86 [2,184]	26-7/8 [683]	53-3/4 [1,365]	700 [318]
5-LC-60-G	8"	10"	63-31/32 [1,625]	60 [1,524]	22-3/16 [564]	78 [1,981]	86 [2,184]	32-7/8 [835]	65-3/4 [1,670]	822 [373]
6-LC-60-G	10"	10"	75-31/32 [1,930]	60 [1,524]	22-3/16 [564]	78 [1,981]	86 [2,184]	38-7/8 [987]	77-3/4 [1,975]	943 [428]
7-LC-60-G	10"	10"	87-31/32 [2,234]	60 [1,524]	22-3/16 [564]	78 [1,981]	86 [2,184]	44-7/8 [1,140]	89-3/4 [2,280]	1,064 [483]
8-LC-60-G	10"	12"	99-22/23 [2,539]	60 [1,524]	22-3/16 [564]	80 [2,032]	92 [2,336]	50-7/8 [1,292]	101-3/4 [2,584]	1,151 [522]
	KEY = INCHES [MM] FOR COLUMNS A-G									
	WEIGHT = LBS [KG] Unit weight includes the fireplace, the glass panels and the glass media.									

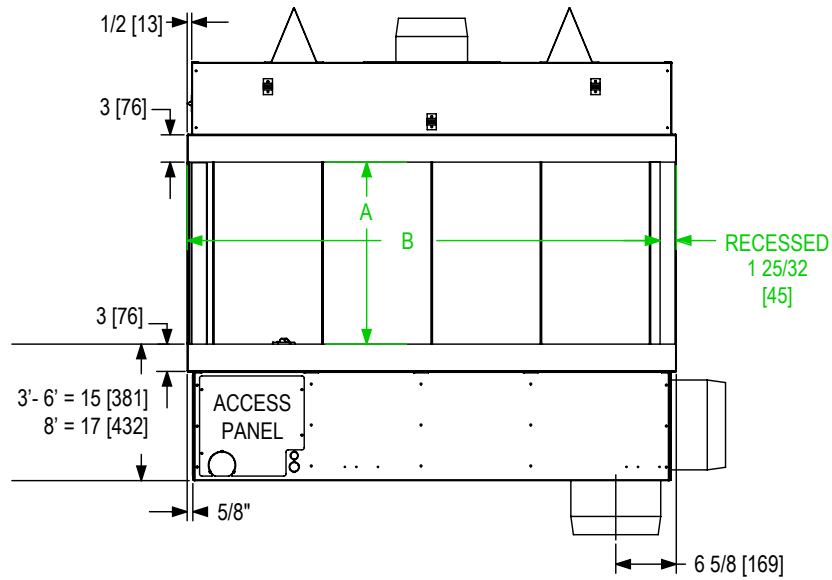
3 - SPECIFICATIONS

Figure 3A

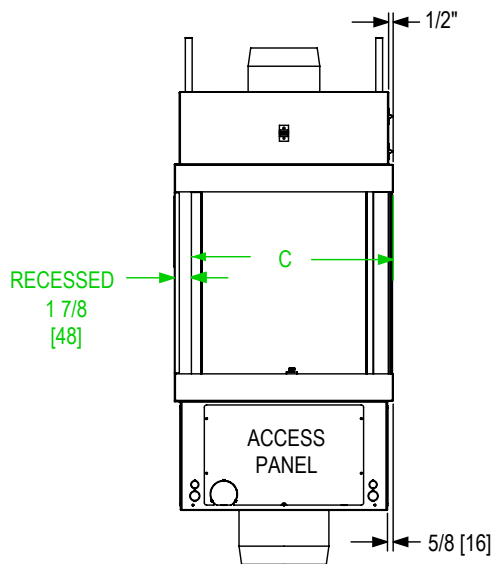
TOP VIEW



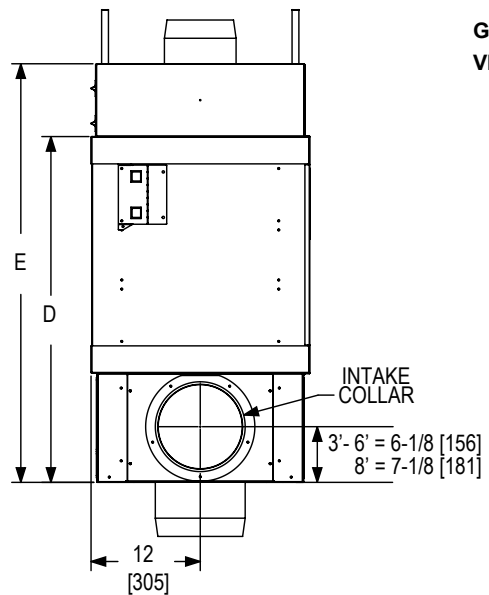
FRONT VIEW



WALL END VIEW



GLASS END VIEW



inches [mm]

3 - SPECIFICATIONS

C. SPECIFICATIONS

Model #	DESCRIPTION	B-VENT	OA	REG PV	IN-LINE PV	BTU'S	NG ORIFICE	Propane ORIFICE
3'	ANY HEIGHT	8"	10"	RS12	RSIF160	40,000	(2X) #43	(2X) #55
4'	ANY HEIGHT	8"	10"	RS12	RSIF160	60,000	(3X) #43	(3X) #55
5'	ANY HEIGHT	8"	10"	RS12	RSIF160	80,000	(4X) #43	(4X) #55
6'	ANY HEIGHT	10"	10"	RS14	RSIF180	100,000	(5X) #43	(5X) #55
7'	ANY HEIGHT	10"	10"	RS14	RSIF180	120,000	(6X) #43	(6X) #55
8'	ANY HEIGHT	10"	12"	RS14	RSIF180	140,000	(7X) #43	(7X) #55



WARNING: NON-COMBUSTIBLE ZONE: USE ONLY NON-COMBUSTIBLE MATERIAL IN THIS AREA FOR ENTIRE WIDTH OF FIREPLACE. DO NOT USE WOOD, SHEETROCK, ETC., IN THIS ZONE.



NOTE: OTHER CLEARANCES APPLY. ALL CLEARANCES MUST BE MAINTAINED.
Refer to Section 4 (Framing), Section 5 (Non-combustible Zone) and Section 10 (Finishing) for more information.



NOTE: The qualified installer should follow the procedure best suited for the installation.

D. INSTALLATION OVERVIEW

1. Frame should be built after the fireplace is installed or extra clearance must be planned for at the intake collar. Framing must allow for vent installation.
2. If masonry (optional) will be used, prepare foundation for the masonry load. A lintel is required to support the added weight above the fireplace.
3. Install hearth if desired.
4. Insert fireplace into framing.
5. Double check clearances to combustibles.
6. Complete gas line installation.
7. Complete electrical hook-up.
8. Complete venting installation.
9. Install facing material, mantel or cabinetry.
10. Install glass media/natural stone, and any interior options including mirrors and/or driftwood log set.
11. Verify proper operation of fireplace and all components.

E. PLACEMENT CLEARANCE REQUIREMENTS

- This fireplace must be installed on a level surface capable of supporting the fireplace and venting.
- Fireplace must be placed directly on wood or non-combustible surface (not linoleum or carpet) extending entire depth and width of fireplace.
- This fireplace may be installed in a bedroom.

Non-Combustible Materials Specifications

Material which will not ignite and burn.
Such materials are those consisting entirely of steel, iron, brick, tile, concrete, slate, glass or plasters, or any combination thereof.

Materials that are reported as passing **ASTM E 136, Standard Test Method for Behavior of Materials in a Vertical Tube Furnace at 750 °C** shall be considered non-combustible materials.

Combustible Materials Specifications

Materials made of or surfaced with wood, compressed paper, plant fibers, plastics, or other material that can ignite and burn, whether flame proofed or not, or plastered shall be considered combustible materials.

3 - SPECIFICATIONS

F. CLEARANCES

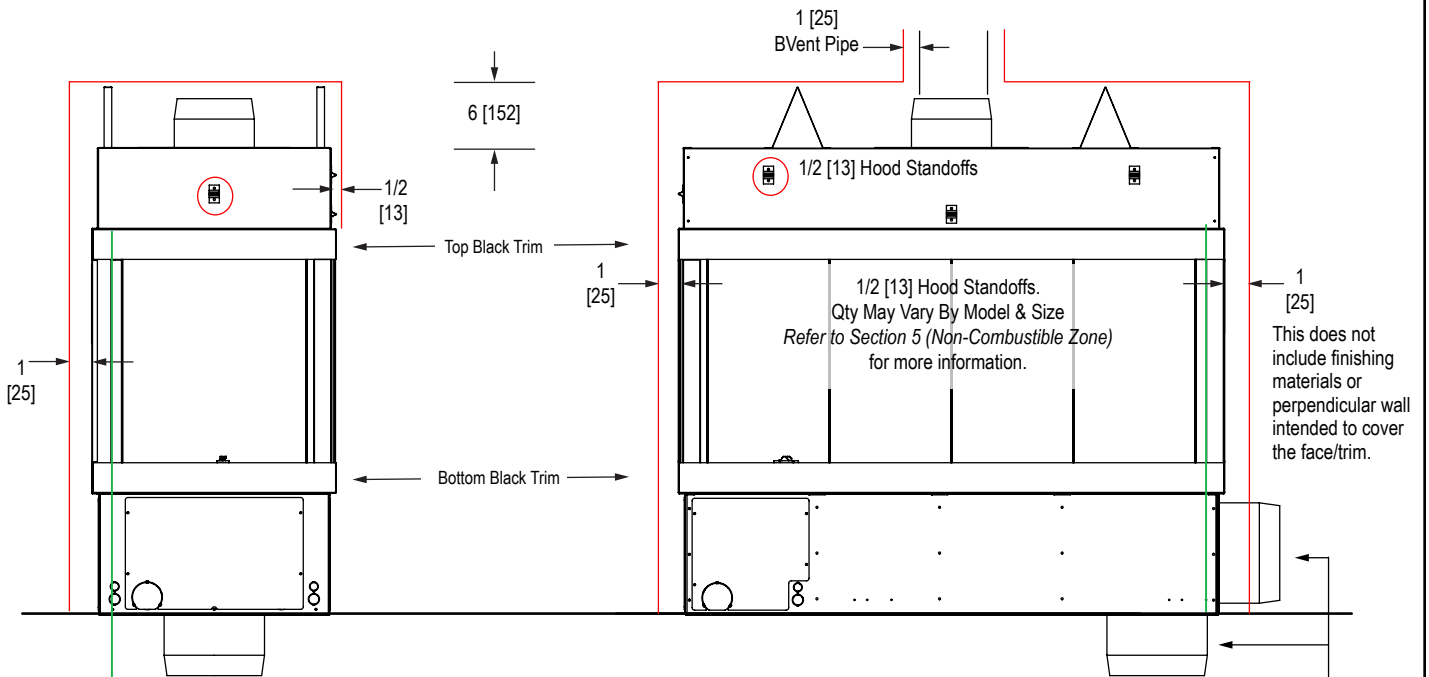
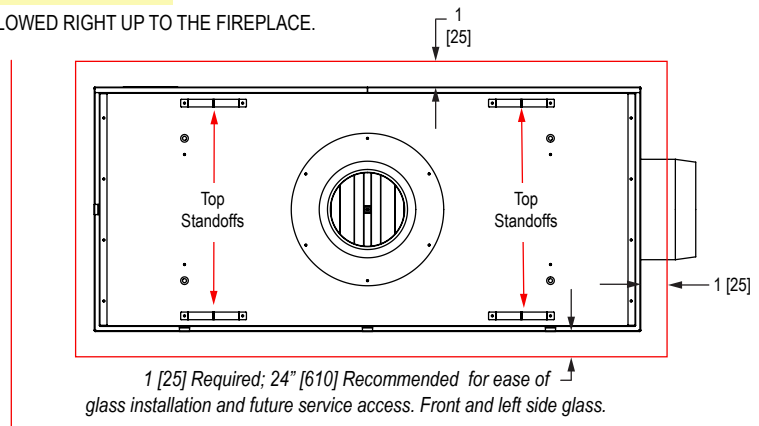
From unit left & right sides	1"	25mm
To flooring under fireplace	0	0
Unit top to ceiling	6"	152mm
Unit side to adjacent sidewall	1"	25mm

Figure 3F

CLEARANCES SHOWN ARE MINIMUM TO COMBUSTIBLES

NON-COMBUSTIBLE FRAMING AND FINISHING MATERIALS ALLOWED RIGHT UP TO THE FIREPLACE.

6 [152] Top Standoffs; shipped flat.
Quantity will vary by model & size.
Refer to Section 3 (Prepare The Fireplace)
for more information.



Can be a recess and/or combustible perpendicular wall extending past the face of the fireplace. Applies to both sides of glass.
Refer to Section 3 (Specifications - Single Sided Dimensions)

Air-intake collar can be rotated to vent off the side or from the bottom of the fireplace.
Refer to Section 9A (Venting Specifications)

inches [mm]

Combustible finishing materials may cover the 3 [76] top and bottom black trim.

Do not overlap glass.

Combustible framing allowed right up to the fireplace below the viewing area only.

A combustible mantel may be placed at the top of the viewing area. Do not overlap glass.

A combustible hearth extension may be used below the viewing area. Do not overlap glass.

Do not place on carpet, vinyl or soft surfaces.

4 - PREPARE THE FIREPLACE

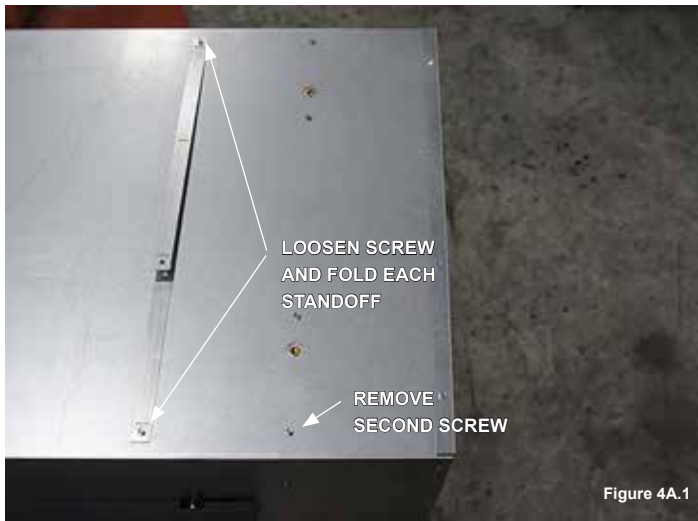


CAUTION: FIREPLACE IS NOT LOAD-BEARING.



NOTE: OTHER CLEARANCES APPLY. ALL CLEARANCES MUST BE MAINTAINED.

A. STANDOFF INSTALLATION



STEP 1: Refer to Figure 4A.1

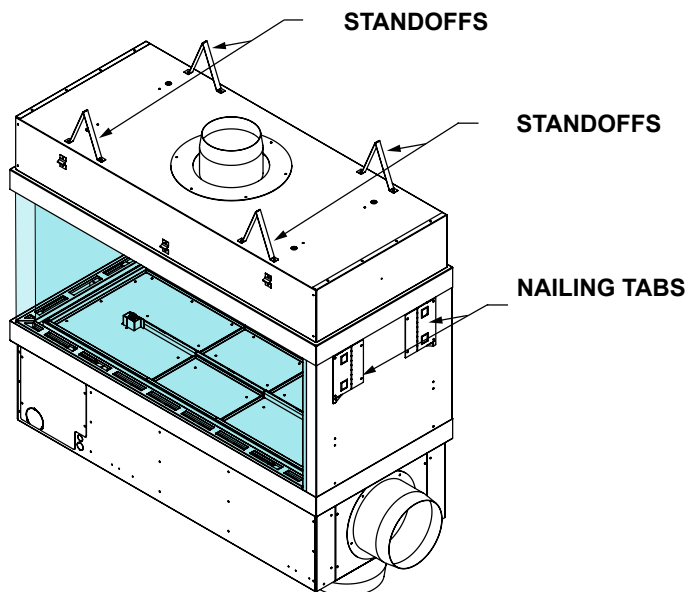
The standoffs will be shipped in a flat state placed on the firebox top. Locate the standoffs and loosen the screws holding them in place.

STANDOFFS

The top standoffs that are secured with two (2) screws each (left and right sides of top).

STEP 2: Refer to Figure 4A.2

Fold the center of the standoff up and both ends out at the perforated lines. Using Figure 4A.2 for reference, locate the second pre-installed screw on the firebox top at each standoff location. Remove the screw, pivot the folded standoff into location and re-install the screw to secure the standoff. Tighten up the screw that was loosened in Step 1.



NAILING TABS

The fireplace has nailing tabs that are secured with two (2) screws each (left and right) sides of fireplace.

Figure 4A.3

Placement of the standoffs and nailing tabs.

4 - PREPARE THE FIREPLACE

B. NAILING TABS



Figure 4B.1

STEP 1: Refer to Figure 4B.1

The nailing tabs will be shipped in a flat state placed on the firebox side/back. Locate the nailing tabs and remove the screws holding them in place.



Figure 4B.2

STEP 2: Refer to Figure 4B.2

Bend the two (2) small tabs out on each nailing tab at the perforated lines. Using Figure 4A.4 for reference, locate the pre-drilled holes on the firebox side each nailing tab will be placed at.



Figure 4B.3

STEP 3: Refer to Figure 4B.3 & Figure 4B.4

Set each nailing tab in place and secure using two (2) screws each. Bend the nailing tab out from fireplace at the remaining perforated line.



Figure 4B.4



Figure 4B.5

Reference Figure 4B.4 & Figure 4B.5 for nailing tabs on the glass panel side.



Figure 4B.6



Figure 4B.7

Reference Figure 4B.6 & Figure 4B.7 for the nailing tabs on back of the fireplace for the solid panel side.

The nailing tabs will ensure the 1" minimum clearance is kept to combustible framing. Refer to Figure 4B.5 and Figure 4B.7.

Depending on your installation and how you frame it out, you may not use the provided nailing tabs.

4 - PREPARE THE FIREPLACE

C. SHIPPING SUPPORT BRACKETS

The hood must be supported at specific locations using 1/4-20 UNC threaded rods. Temporary support brackets are put in place for shipping and installation support and must stay in place until fireplace hood is fully supported.

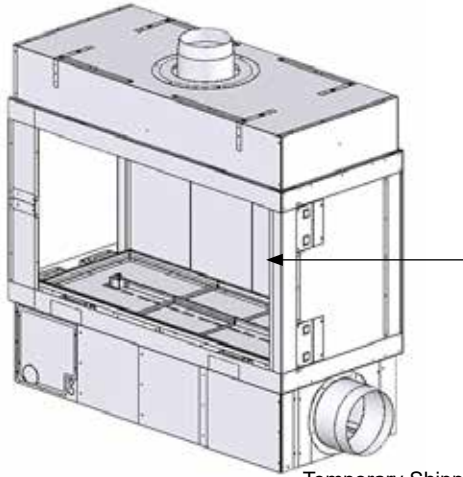


Figure 4C
Temporary Shipping Support Bracket

1. Install the threaded rods in the appropriate locations for A, B & C as noted below in Framing - A.
2. Level the fireplace.
3. Ensure fireplace is fully supported and leveled and then remove support brackets.

CAUTION! RISK OF INJURY!

DO NOT remove support brackets until fireplace is fully supported and level.

D. THREADED RODS

The fireplace requires a threaded rod to be placed at the glass-to-glass intersection. Placement of the required threaded rods is at the I & J intersection at the front left and back left corners notated as REQUIRED I & J locations.

Additional locations are provided if your installation needs more support notated as OPTIONAL I, J & K locations. Once the required threaded rod(s) are in place and the the hood fully supported, the temporary support brackets may be taken off.

See following page for threaded rod installation option.

Figure 4B.1 - 3' 4' & 5' Models
Top View

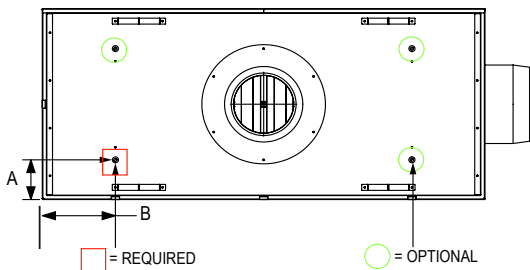
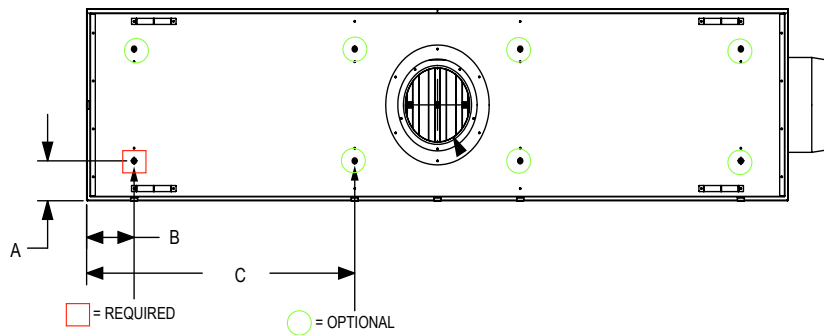


Figure 4B.2 - 6', 7' & 8' Models
Top View



The hood shall be supported at specific locations using 1/4-20 UNC threaded rods.									
Qty 1 threaded rods are required in the front right hand quarter.									
All other locations are optional if additional support is needed.									
MODEL	QTY	Additional	Hood Weight	A		B		C	
				Inches	mm	Inches	mm	Inches	mm
3' LC	1	3	81 [37]	5	127	6-3/8	162	NA	NA
4' LC	1	3	98 [44]	5	127	8-7/8	225	NA	NA
5' LC	1	3	119 [54]	5	127	11-7/8	302	NA	NA
6' LC	1	7	139 [63]	5	127	6-7/8	175	26-7/8	683
7' LC	1	7	158 [72]	5	127	6-7/8	175	32-7/8	835
8' LC	1	7	202 [92]	5	127	6-7/8	175	38-7/8	987

4 - PREPARE THE FIREPLACE

E. THREADED RODS INSTALLATION (EXAMPLE)

There are several different ways to support the fireplace top and one option is to use a Unistrut installed over the fireplace that is secured to structurally sound framing. Refer to Figure 4B.

For each threaded rod installation you may need:



Super Strut
or Uni-Strut



Qty 1
1/4-20
Eyebolt



Qty
1 Threaded
Quick Link



Qty 1
1/4-20
Turnbuckle



Qty 1
1/4-20
Threaded Rod
or All Thread



Qty 1
Fender
Washer

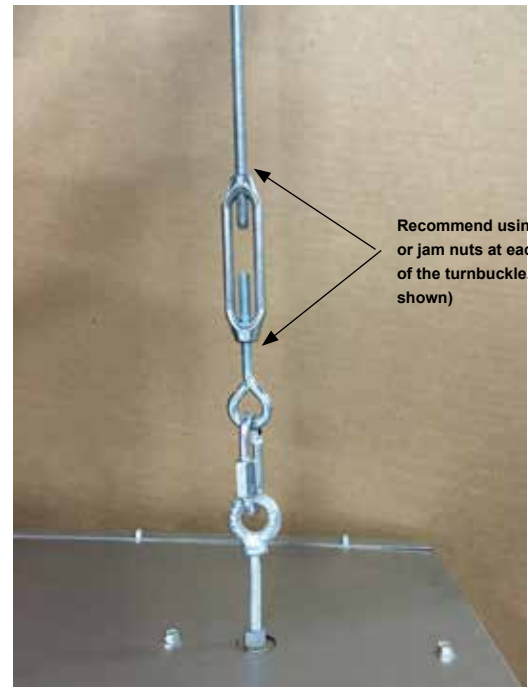


Up To Qty 3
1/4-20
Nut

(Qty Per Threaded Rod Used)



Figure 4E



- Install the threaded rod fully into the threaded fastener located on top of the fireplace.
- Insert the threaded rod into a hole in the Unistrut straight above the threaded fastener located on top of the fireplace.
- Use a fender washer and nut on the top end of the threaded rod to adjust the height of the fireplace opening. Make sure the opening dimension is exact all the way around. Use Loctite to secure the nut from from loosening (not shown).
- If the top of the threaded rod is to be secured into blind threaded fastener or if there isn't clearance above to adjust the rod, you can use a turnbuckle to adjust the height.
- Install an eyebolt fully into the threaded nut located on top of the fireplace.
- Use a quick link to connect the eye bolt to the reverse thread side of the turnbuckle.
- Thread the threaded rod into the normal side of the turnbuckle.
- Use the locktight or jam nuts to secure the turnbuckle from loosening.

PAGE LEFT INTENTIONALLY BLANK

5 - FRAMING & MANTEL REQUIREMENTS



NOTE: Framing dimensions should allow for wall covering thickness and fireplace facing materials. When using a hearth, adjust rough opening size as necessary to maintain at least minimum clearance requirements.



CAUTION: Install fireplace on metal, concrete or hard wood surface extending the full width and depth of fireplace.



CAUTION: Vent cap location must be in compliance with guidelines in *Section 8 (Venting)* of this manual.



NOTE: REFER TO DIMENSIONS SECTION FOR ALLOWABLE FINISHING DIMENSIONS REQUIRED TO FIT THE GLASS PANELS INTO THE FIREPLACE.

FINISHING MATERIALS MUST NOT OVERLAP THE DIMENSIONS HIGHLIGHTED IN GREEN IN *SECTION 2 (DIMENSIONS)*. NEVER COVER THE GLASS WITH FINISHING MATERIALS.



NOTE: DO NOT PIERCE ANY OF THE BLACK PAINTED SURFACES WITH SCREWS, RIVETS, ETC. THIS INCLUDES THE 3" [76mm] BLACK TOP AND BOTTOM GLASS TRIM AND ANY PAINTED SIDES ADJACENT TO THE GLASS.

If masonry is to be used (optional), prepare the necessary foundation for the masonry load. When masonry construction is being used, a lintel must be used over top of fireplace to support the added weight. Build hearth to desired size and height. If a hearth extension is desired, combustible material may be used.

Review the IMPORTANT FRAMING NOTES fully prior to framing.

IMPORTANT FRAMING NOTES: inches [mm]

FRAMING SHOULD BE BUILT AFTER THE FIREPLACE IS INSTALLED OR EXTRA CLEARANCE MUST BE PLANNED FOR AT THE INTAKE COLLAR AND FOR THE THICKNESS OF MATERIALS USED.

THE FIREPLACE IS NOT LOAD-BEARING

FRAMING DIMENSIONS ASSUMING 1/2 [13] DRYWALL OR NON-COMBUSTIBLE BOARD USED.

THESE DIMENSIONS REPRESENT THE FRAMING DIMENSIONS FOR COMBUSTIBLE MATERIAL.

NON-COMBUSTIBLE FRAMING AND FINISHING MATERIALS MAY BE USED WITHIN THESE DIMENSIONS RIGHT UP TO THE UNIT.

NO COMBUSTIBLE MATERIAL WITHIN 6 [152] OF THE TOP OF THE FIREPLACE.

NO COMBUSTIBLE MATERIAL WITHIN 1 [25] OF THE SIDES, BACK AND FRONT OF THE FIREPLACE.

COMBUSTIBLE MATERIAL SHALL NOT BE PLACED DIRECTLY ON THE FACE OF THE FIREPLACE, TOP AND SIDES.

SEE SECTION 5 (NON-COMBUSTIBLE ZONE) AND SECTION 10 (FINISHING) FOR DETAILS REGARDING 1/2 [25] STANDOFFS.

STEEL SURFACE MAY BE COVERED WITH NON-COMBUSTIBLE FINISHING MATERIAL.

1 [25] CLEARANCE TO THE B-VENT MUST BE MAINTAINED.

5 - FRAMING & MANTEL REQUIREMENTS

A. FRAMING DIMENSIONS

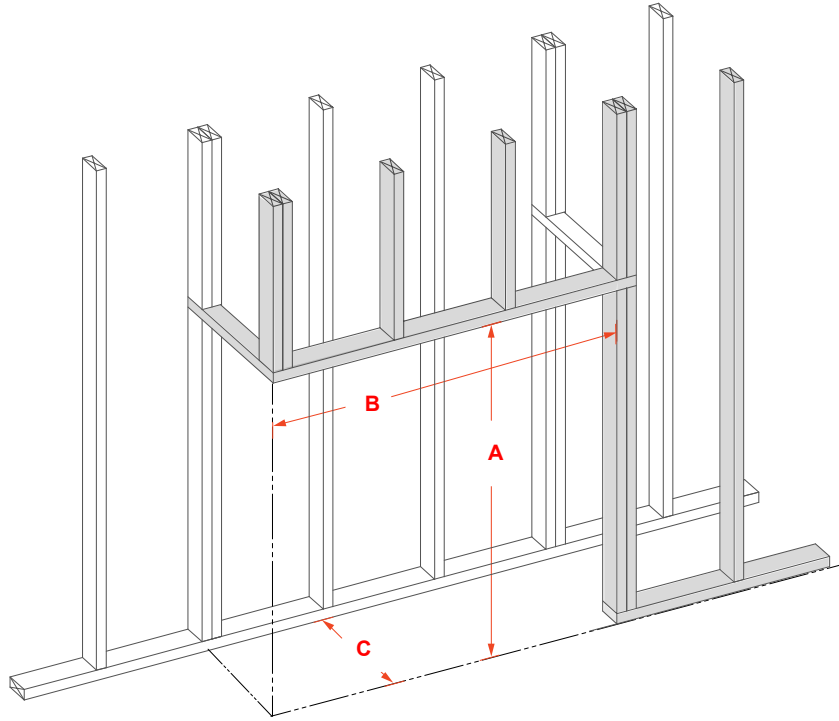


Figure 5A ←

inches [mm]

Dimensions assume the 1/2" [13] clearance standoffs in place.
Refer to Section 5 (Non-combustible Zone) for more information on installations not using the clearance standoffs.

MODEL	A Width	B Height	C Depth
3-LC-20-G	42-3/4 [1,086]	52 [1,321]	25-1/32 [636]
4-LC-20-G	54-3/4 [1,391]	52 [1,321]	25-1/32 [636]
5-LC-20-G	66-3/4 [1,695]	52 [1,321]	25-1/32 [636]
6-LC-20-G	78-3/4 [2,000]	52 [1,321]	25-1/32 [636]
7-LC-20-G	90-3/4 [2,205]	52 [1,321]	25-1/32 [636]
8-LC-20-G	102-3/4 [2,610]	58 [1,473]	25-1/32 [636]
3-LC-24-G	42-3/4 [1,086]	56 [1,422]	25-1/32 [636]
4-LC-24-G	54-3/4 [1,391]	56 [1,422]	25-1/32 [636]
5-LC-24-G	66-3/4 [1,695]	56 [1,422]	25-1/32 [636]
6-LC-24-G	78-3/4 [2,000]	56 [1,422]	25-1/32 [636]
7-LC-24-G	90-3/4 [2,205]	56 [1,422]	25-1/32 [636]
8-LC-24-G	102-3/4 [2,610]	62 [1,574]	25-1/32 [636]
3-LC-30-G	42-3/4 [1,086]	62 [1,574]	25-1/32 [636]
4-LC-30-G	54-3/4 [1,391]	62 [1,574]	25-1/32 [636]
5-LC-30-G	66-3/4 [1,695]	62 [1,574]	25-1/32 [636]
6-LC-30-G	78-3/4 [2,000]	62 [1,574]	25-1/32 [636]
7-LC-30-G	90-3/4 [2,205]	62 [1,574]	25-1/32 [636]
8-LC-30-G	102-3/4 [2,610]	68 [1,727]	25-1/32 [636]

MODEL	A Width	B Height	C Depth
3-LC-36-G	42-3/4 [1,086]	68 [1,727]	25-1/32 [636]
4-LC-36-G	54-3/4 [1,391]	68 [1,727]	25-1/32 [636]
5-LC-36-G	66-3/4 [1,695]	68 [1,727]	25-1/32 [636]
6-LC-36-G	78-3/4 [2,000]	68 [1,727]	25-1/32 [636]
7-LC-36-G	90-3/4 [2,205]	68 [1,727]	25-1/32 [636]
8-LC-36-G	102-3/4 [2,610]	74 [1,880]	25-1/32 [636]
3-LC-48-G	42-3/4 [1,086]	80 [2,032]	25-1/32 [636]
4-LC-48-G	54-3/4 [1,391]	80 [2,032]	25-1/32 [636]
5-LC-48-G	66-3/4 [1,695]	80 [2,032]	25-1/32 [636]
6-LC-48-G	78-3/4 [2,000]	80 [2,032]	25-1/32 [636]
7-LC-48-G	90-3/4 [2,205]	80 [2,032]	25-1/32 [636]
8-LC-48-G	102-3/4 [2,610]	86 [2,184]	25-1/32 [636]
3-LC-60-G	42-3/4 [1,086]	92 [2,336]	25-1/32 [636]
4-LC-60-G	54-3/4 [1,391]	92 [2,336]	25-1/32 [636]
5-LC-60-G	66-3/4 [1,695]	92 [2,336]	25-1/32 [636]
6-LC-60-G	78-3/4 [2,000]	92 [2,336]	25-1/32 [636]
7-LC-60-G	90-3/4 [2,205]	92 [2,336]	25-1/32 [636]
8-LC-60-G	102-3/4 [2,610]	98 [2,489]	25-1/32 [636]

5 - FRAMING & MANTEL REQUIREMENTS

B. FRAMING DIMENSIONS - RECESS



NOTE: IT IS RECOMMENDED TO SET THE FIREPLACE IN TO PLACE PRIOR TO INSTALLING THE FRAMING.
Framing dimensions noted are minimum framing dimensions to combustible materials only, and it is the responsibility of the installer for determining framing dimensions that allow for wall covering thickness and fireplace facing materials for each individual installation.

To bring the wall on either side of the fireplace more flush with the back wall of the fireplace, the walls may be framed out. 1-7/8 [48] of the fireplace may be covered in combustible material, add the 1 [25] of clearance from the back wall to the frame wall to get a 2-7/8 [73] build-out. The wall finishing material must be subtracted from that number.

Finishing material must never overlap the glass.

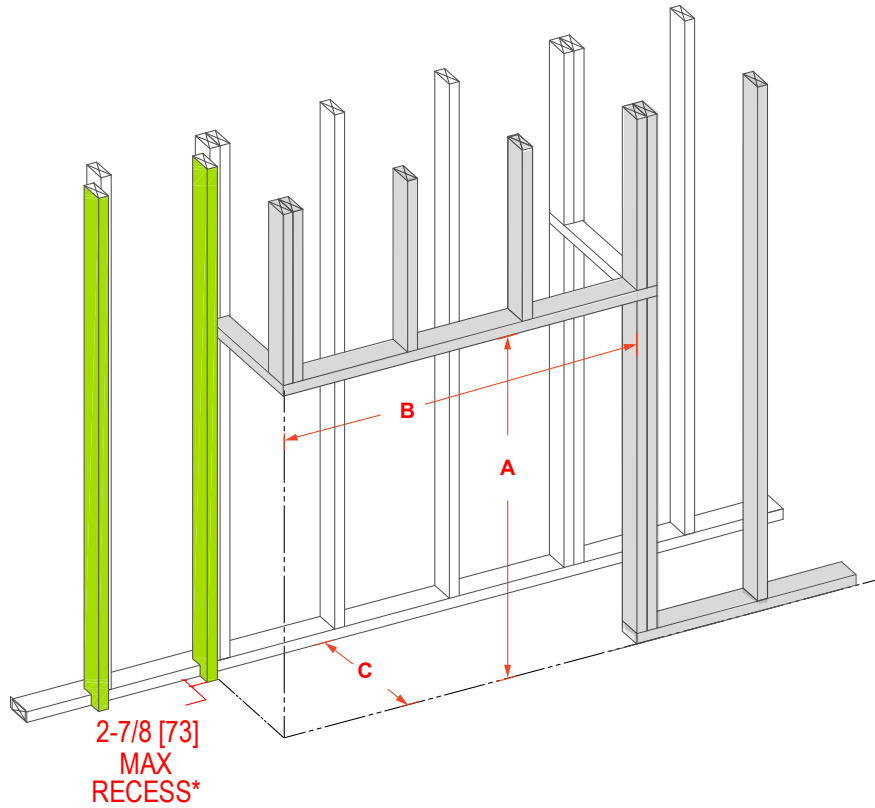


Figure 5B.1 ←

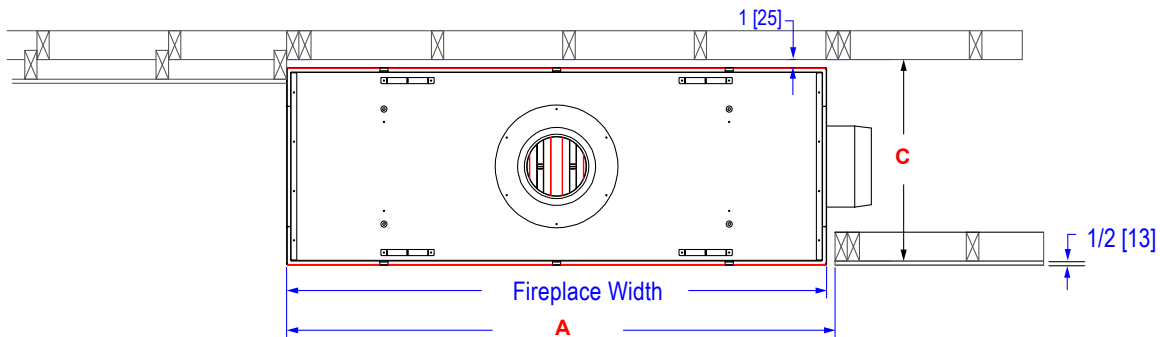


Figure 5B.2 ←

inches [mm]

5 - FRAMING & MANTEL REQUIREMENTS

C.1 NON-COMBUSTIBLE ZONE - USING THE PROVIDED 1/2" STANDOFFS

The fireplace has standoffs installed on the front of the fireplace standard from the factory. They are located on the upper left, center and right front of the fireplace and are to ensure that the 1/2 [13] required clearance to combustibles on the surface of the fireplace is maintained.

If the standoffs are removed, only non-combustible material can be installed against the surface of the fireplace such as a non-combustible backer cement board. 1/2 [13] minimum thickness must be used in the space* between the top of the 3 [76] trim to the combustible framing the full width of the fireplace. The space* includes a 7 [178] minimum above the top of the fireplace that is recommended for ease of attachment. *= 15 [381] for 3'-7' units and 19 [483] for 8' units.

Refer to Figure 5C.1 below for a standard installation using the provided 1/2 [13] standoffs.
Refer to Figure 5C.2 for requirements when not using the provided 1/2 [13] standoffs.

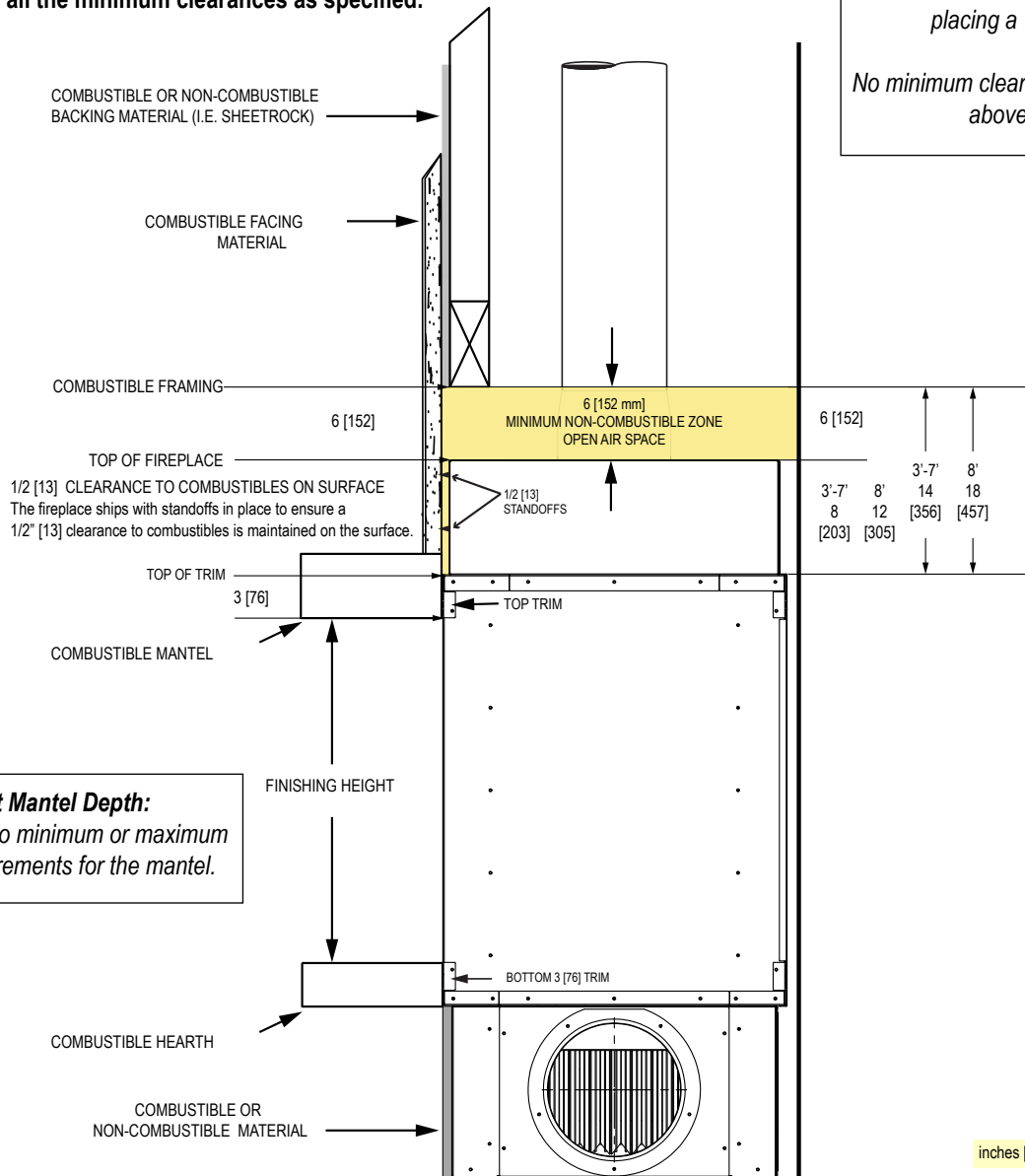
inches [mm]



1/2 [13] Standoff

WARNING! Risk of Fire
Comply with all the minimum clearances as specified.

Notes About TV Placement:
A mantel is not required if you are placing a TV above the opening.
No minimum clearance required for a TV above the fireplace opening.



inches [mm]

Note About Mantel Depth:
There are no minimum or maximum depth requirements for the mantel.

SINGLE SIDED EXAMPLE: RIGHT SIDE VIEW
APPLIES TO BOTH SIDES AND ENDS IF USING A MULTI-SIDED FIREPLACE

NOTE: Refer to Section 11 - Finishing The Wall (A.1) for more information.

Figure 5C.1

5 - FRAMING & MANTEL REQUIREMENTS

C.2 NON-COMBUSTIBLE ZONE - **NOT** USING THE PROVIDED 1/2" STANDOFFS

The fireplace has standoffs installed on the front of the fireplace standard from the factory. They are located on the left, center and right front hood of the fireplace and are to ensure that the 1/2[13] required clearance to combustibles on the surface of the fireplace is maintained.

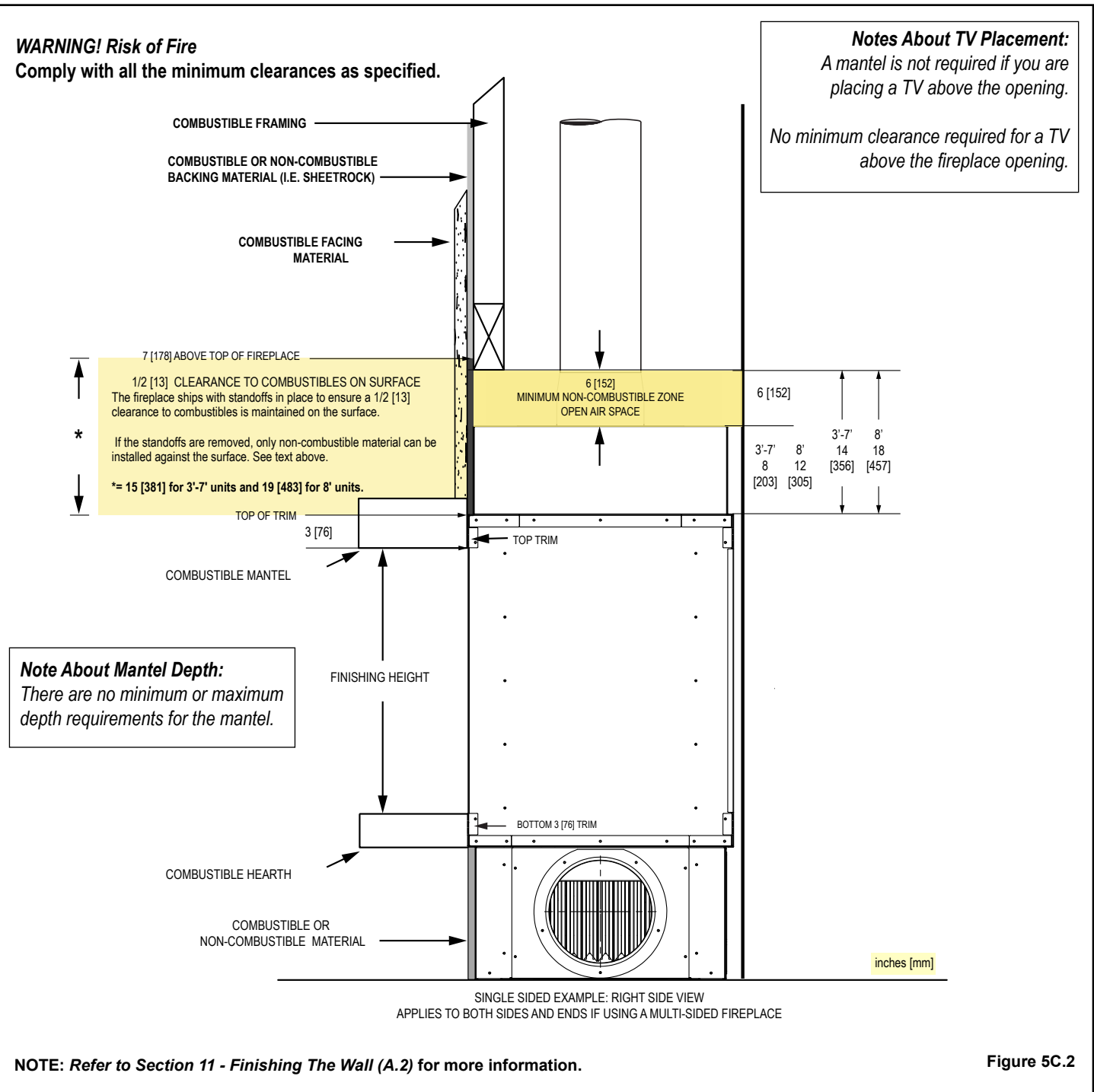
If the standoffs are removed, only non-combustible material can be installed against the surface of the fireplace such as a non-combustible backer cement board. 1/2 [13] minimum thickness must be used in the space* between the top of the 3 [76] trim to the combustible framing the full width of the fireplace. The space* includes a 7 [178] minimum above the top of the fireplace that is recommended for ease of attachment. *= 15 [381] for 3'-7' units and 19 [483] for 8' units.

Refer to Figure 5C.2 below for requirements when not using the provided 1/2 [13] standoffs.
Refer to Figure 5C.1 for a standard installation using the provided 1/2 [13] standoffs.

inches [mm]



1/2 [13] Standoff



NOTE: Refer to Section 11 - Finishing The Wall (A.2) for more information.

Figure 5C.2

6 - GLASS FRAME ASSEMBLY

A. GLASS FRAME ASSEMBLY IDENTIFICATION

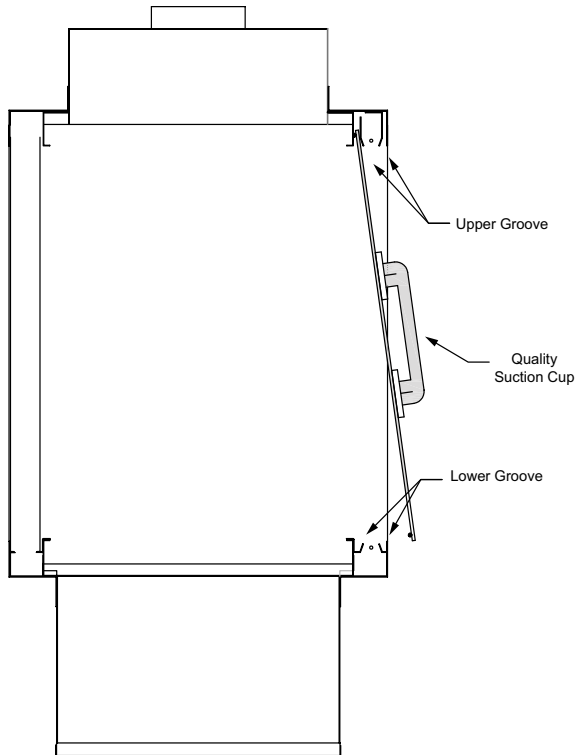


Figure 6A

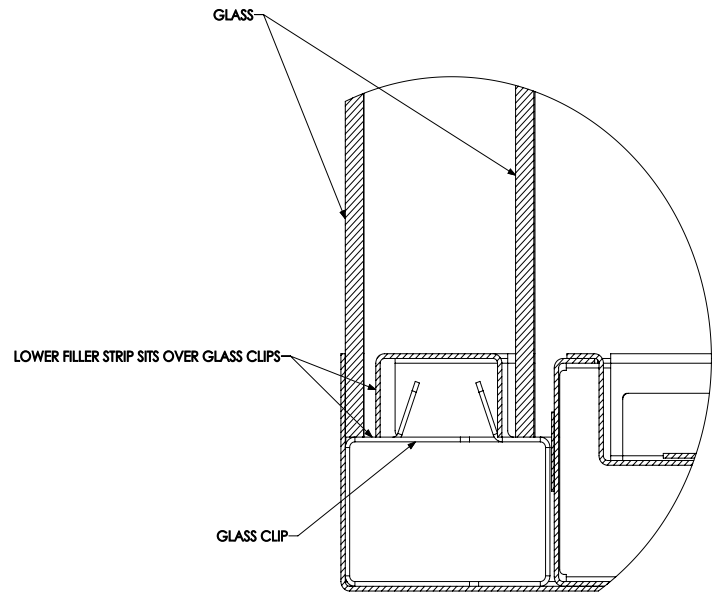


Figure 6B.1



CAUTION: TO PREVENT GLASS FRAME ASSEMBLY FROM FALLING FROM FIREPLACE AND BECOMING DAMAGED, FOLLOW THE INSTRUCTIONS EXACTLY WHEN REMOVING AND INSTALLING GLASS FRAME ASSEMBLY.



STOP: DO NOT OPERATE THIS FIREPLACE WITH THE GLASS REMOVED, CRACKED OR BROKEN. REPLACEMENT OF GLASS ASSEMBLY SHOULD BE DONE BY A LICENSED OR QUALIFIED SERVICE PERSON.



WARNING: DO NOT REMOVE GLASS ASSEMBLY WHEN HOT!!!!



NOTE: GLASS REMOVAL AND INSTALLATION MUST BE PERFORMED WITH TWO PEOPLE.



NOTE: Glass must be removed using quality suction cups. DO NOT attempt to remove the glass without using proper suction cups.



NOTE: IN CASE OF CHIPPED OR BROKEN GLASS, due to the size and sensitivity of shipping the glass separately it is best to have the replacement glass cut locally if needed.

REFER TO SECTION 16 - REPLACEMENT PARTS FOR THE GLASS SIZE CHART FOR DIMENSIONS AND SPECIFICATIONS.

6 - GLASS FRAME ASSEMBLY

Refer to Section 6 (Glass Frame Assembly Identification Figures 6A & 6B.1) when installing and removing the glass frame assembly.

B. INSTALL GLASS FRAME ASSEMBLY



Figure 6B.2 - Outer Glass Edge Protector



Figure 6B.3 - Vertical Trim Piece



Figure 6B.4 - Horizontal Trim Piece

IMPORTANT: PLASTIC GLASS EDGE PROTECTORS

The fireplace is shipped with a plastic edge protector on the outer pane of glass only.

See Figure 6B.2

Inner Glass

1. Unwrap the panes of glass carefully making sure to protect the edges.
2. Apply the suction cups to the inner glass assembly, following instructions included with the suction cups.
3. Lift the glass into place. The top edge slips into the top groove (the glass will be behind the glass clip and against the gasketing); lift into the groove until the bottom is clear of the bottom trim. Make sure the glass is behind all the glass clips and slide the glass down into the inner bottom groove. Gently push the glass tightly into the gasketing. See Figure 6A
4. Push vertical glass trim into place on each side. Once into place, slide the vertical glass trim all the way down so the top is almost even with the top viewing area. See Figure 6B.3
5. Place the long horizontal trim piece between the lower glass clips. Slide back against the inner glass. See Figure 6B.3 and Figure 6B.4.

Outer Glass

6. Apply the suction cups to the outer glass and lift it into place in the same manner as the inner glass.



WARNING: RISK OF INJURY!

DO NOT remove glass until unit is cooled to room temperature. Glass breakage could occur.

C. REMOVE GLASS FRAME ASSEMBLY

1. Apply the suction cups to the outer glass panel following the instructions included with the suction cups.
2. Gently lift the glass until the bottom edge is clear of the groove it sits in.
3. Bring the bottom edge of the glass towards you while lowering it to disengage it from the top groove.
4. Sit the glass on a padded surface to protect it. **IMPORTANT:** Protect the glass's edges.
5. Remove the lower trim piece that sits between the layer of glass.
6. Remove the inner trim vertical pieces.
7. Using the suction cups, remove the inner glass in the same manner.

7 - GAS LINE SPECIFICATIONS

This fireplace is manufactured for use with Natural Gas or Propane.



CAUTION: Installation of the gas line must only be done by a qualified person in accordance with local building codes, if any. If not, follow ANSI Z223.1.



NOTE: The appliance and its individual shutoff valve must be disconnected from the gas supply piping system during any pressure testing of that system at pressures in excess of ½ psi.



NOTE: The appliance must be isolated from the gas supply piping system by closing its individual manual shut-off valve during any pressure testing of the gas line at test pressures equal to or less than ½ psi (3.5 kPa).



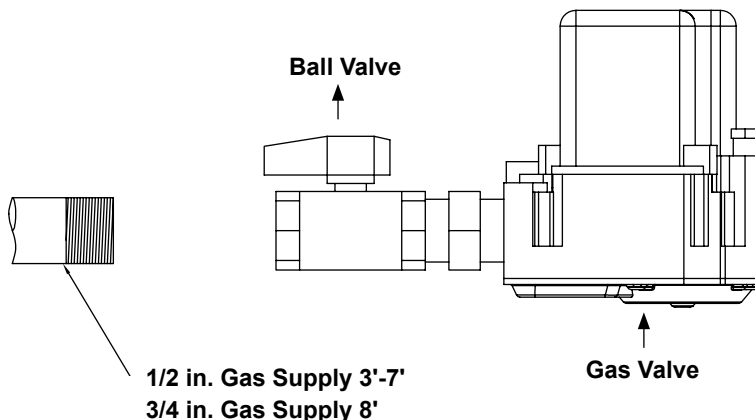
NOTE: For high altitude installations, consult Stellar by Heat&Glo directly for proper rating methods.

A. GAS LINE CONNECTION	Propane	NG
MINIMUM INLET GAS PRESSURE	11.0 inches W.C. (recommended)	7.0 inches W.C. (recommended)
MAXIMUM INLET GAS PRESSURE	14.0 inches W.C.	10.0 inches W.C.
MANIFOLD PRESSURE (HI)	10.0 inches W.C.	3.5 inches W.C.
ORIFICE SIZE	See Specifications Chart in Section 3.C	See Specifications Chart in Section 3.C
INPUT BTU/HR	See Specifications Chart in Section 3.C	See Specifications Chart in Section 3.C

NOTE: Have the gas supply line installed in accordance with local codes. If not, follow ANSI Z223.1. Installation should be done by a qualified installer approved and/or licensed as required by the locality. In the Commonwealth of Massachusetts installation must be performed by a licensed plumber or gas fitter.

NOTE: A listed (and Commonwealth of Massachusetts approved) 1/2 in. or 3/4 in. T-handle manual shut-off ball valve is connected to the 1/2 in. or 3/4 in. control valve inlet.

Figure 7



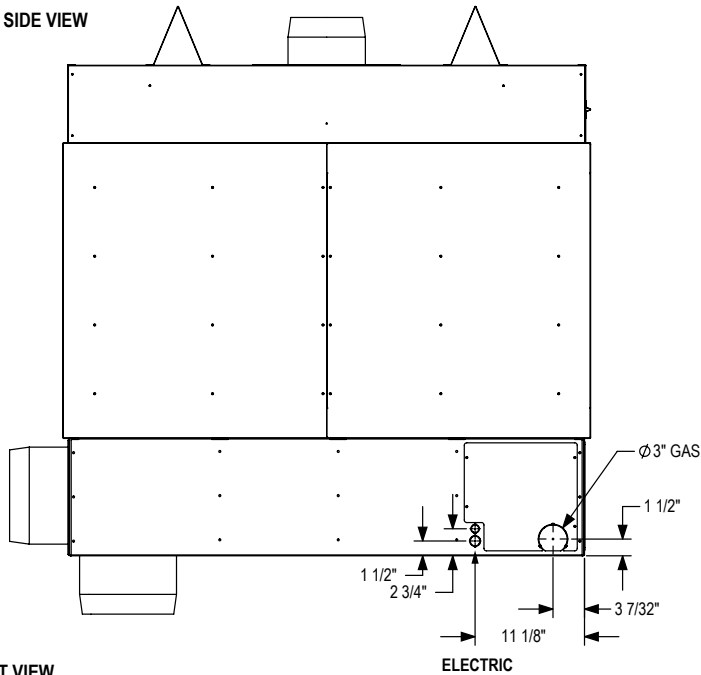
**ADDITIONAL INFORMATION
IN SECTION 2.B (GAS & ELECTRIC ACCESS LOCATIONS)**

7 - GAS LINE SPECIFICATIONS

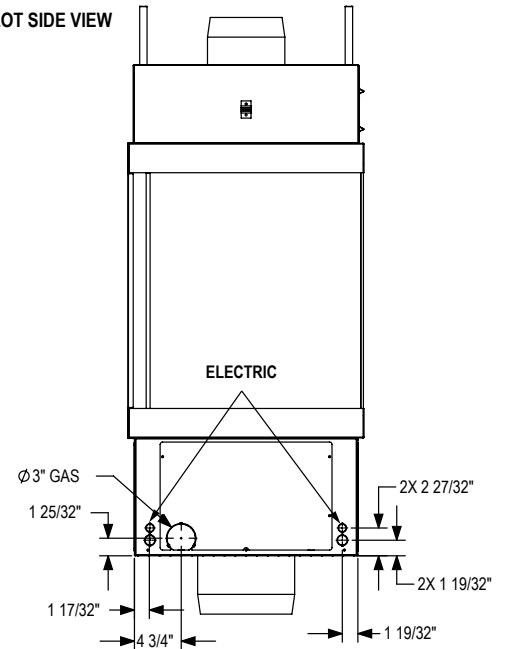
B. GAS & ELECTRIC ACCESS LOCATIONS

4' shown in example. Locations/dimensions are the same on all models and all sizes.

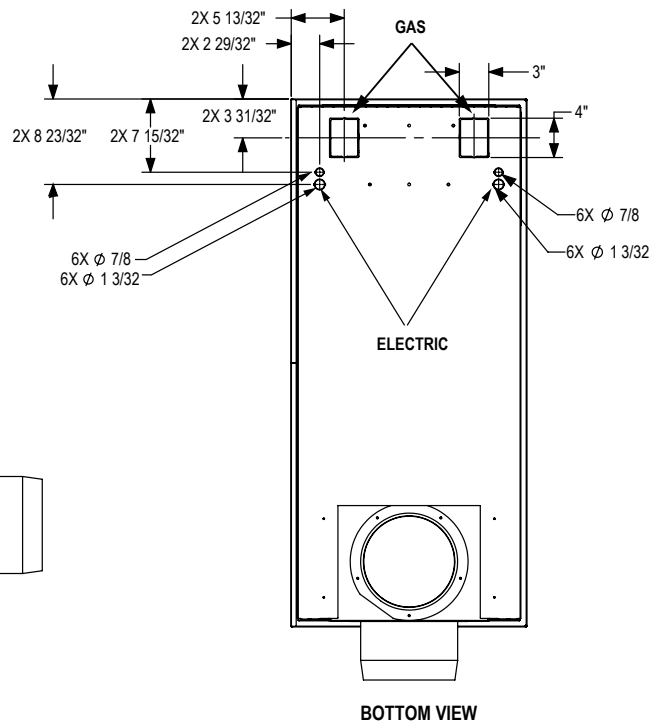
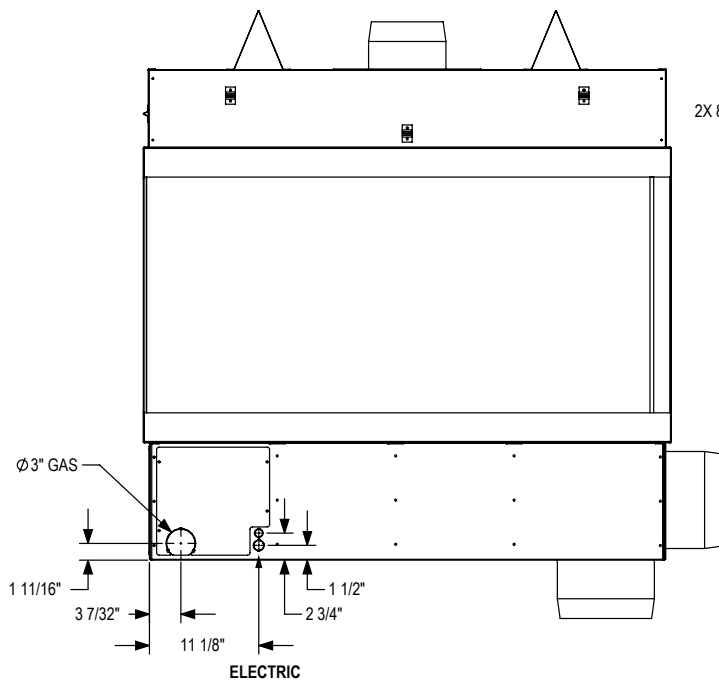
BACK SIDE VIEW



PILOT SIDE VIEW



FRONT VIEW



8 - VENTING



CAUTION: Consult the local and national installation codes to assure adequate combustion and ventilation air is available.



NOTE: Flame height and appearance will vary depending upon venting configuration and type of fuel used. Venting requirements apply to both Natural and Propane gas.



STOP: MAINTAIN ALL CLEARANCES AS STATED IN THIS INSTALLATION MANUAL.

A. APPROVED VENTING

Model #	DESCRIPTION	B-VENT Ø	OUTSIDE AIR Ø	STANDARD POWERVENT	IN-LINE POWERVENT
3'	ANY HEIGHT	8"	10"	RS12	RSIF160
4'	ANY HEIGHT	8"	10"	RS12	RSIF160
5'	ANY HEIGHT	8"	10"	RS12	RSIF160
6'	ANY HEIGHT	10"	10"	RS14	RSIF180
7'	ANY HEIGHT	10"	10"	RS14	RSIF180
8'	ANY HEIGHT	10"	12"	RS14	RSIF180

*Amperage listed is the maximum required for the appliance with all options.

B.1 SYSTEM SUPPLY VOLTAGE

POWERVENT MODEL NUMBER	VAC	AMPS
RS12 (3', 4', & 5' Models)	120	3.2
RS14 (6', 7' & 8' Models)	120	3.4
RSIF160 (3', 4', & 5' Models)	120	4.9
RSIF180 (6', 7' & 8' Models)	120	7.3

B.2 POWERVENT SUPPLY VOLTAGE

POWERVENT MODEL NUMBER	VAC	AMP	H/P
RS12 (3', 4', & 5' Models)	120	1.2	1/9
RS14 (6', 7' & 8' Models)	120	1.4	1/7
RSIF160 (3', 4', & 5' Models)	120	2.9	3/7
RSIF180 (6', 7' & 8' Models)	120	5.3	13/16

Important: Be sure to do your own calculations based on the center line dimension given from the pipe manufacture you are using for your installation.

Refer to the vent systems manufacturer's installation manual for complete installation instructions.

Figure 8B

Installation must conform with the venting requirements and restrictions as outlined in this manual. SEE CHART ABOVE FOR SIZE diameter B-Type Venting that must be used. UL/CSA approved B-Vent only. **DO NOT** decrease the vent size.

Vent runs are approved for up to 110 feet with quantity of eleven 90 degree elbows.

Vent runs may also contain a downward component. The downward component may be a maximum of 6 feet plus the distance to the center line of the elbow. See Figure 8A.1.

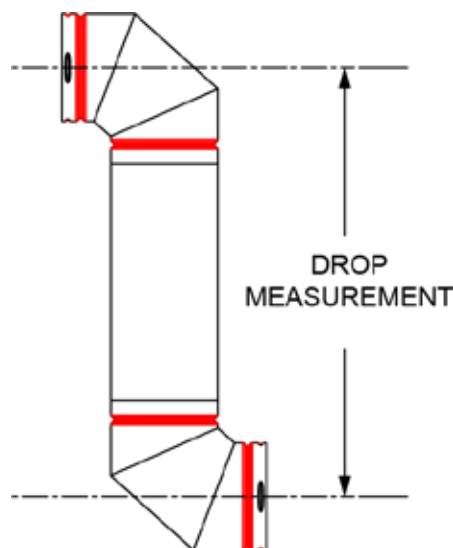
This will be about 87" for 8" diameter pipe and 92" for 10" diameter pipe.

Due to natural buoyancy of flue gas products, venting downward increases restriction.

Every inch of vertical drop counts as triple inches subtracted off the total vent run.

Example: a maximum drop of 92" means the total allowed vent run is decreased by 276" (23')

Once a downward component has been utilized, the vent cannot go upwards again. Moisture may get trapped in the vent pipe.



ANOTE: All pipe and elbow joints must be sealed. This includes the longitudinal seam on the pipe. High Temp RTV Silicone and/or foil tape **MUST** be used on each joint/seam. Failure to do so may cause lack of vacuum and may not trigger the vacuum switch.



ATTIC INSTALLATIONS: Use an attic shield to maintain the required 1 [25] clearance to insulation.

8 - VENTING

C. RS SERIES POWERVENT SPECIFICATIONS

Available Power Venting

A power vent (RS12 & RS14) is approved for use with this appliance. It is crucial that all B-Vent pipe and elbow joints, and the longitudinal seam are sealed using a high temperature RTV Silicone and/or foil tape.

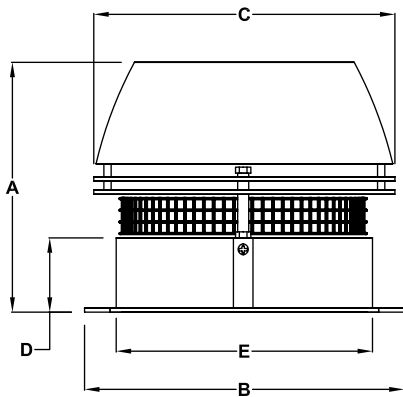


Figure 8C

MODEL	RS12	RS14
Fan Type	Axial Vane	Axial Vane
Motor Type	Totally enclosed, variable speed, Class F	Totally enclosed, variable speed, Class F
Voltage (VAC)	1 x 120	1 x 120
RPM	1600	1600
CFM	950	1400
Amperage (Amps)	1.2	1.4
Motor Output HP (kW)	1/9 (0.08)	1/7 (0.1)
Weight lbs (kg)	37 (17)	47 (21)
Dimension A in. (mm)	11.5 (292)	13.1 (334)
Dimension B x B in.(mm)	14.3 (364)	16.6 (422)
Dimension C in. (mm)	13.5 (344)	15.5 (395)
Dimension D in. (mm)	3.3 (85)	3.9 (100)
Dimension E in. (mm)	11.6 (294)	13.5 (342)
Temperature Rating-Intermittent	575 °F / 300 °C	575 °F / 300 °C
Temperature Rating-Continuous	482 °F / 250 °C	482 °F / 250 °C

D. CHIMNEY COLLAR DIMENSIONS

Chimney Collar Dimensions

A chimney collar is included for use with the RS12 and RS14. The chimney collar is used to attach the RS power vent.

Figures 8D.1 and 8D.2 show the dimensions of the chimney collar.

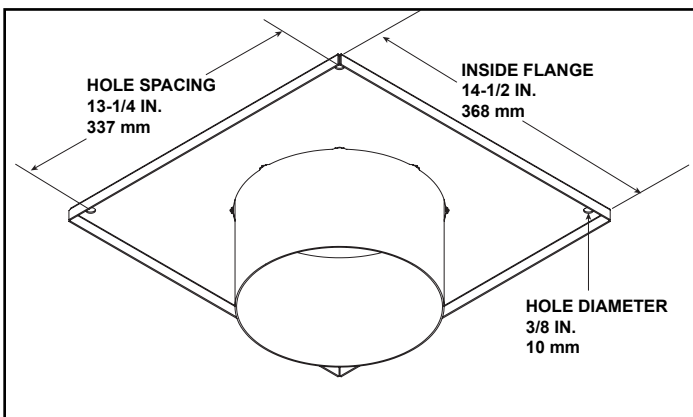


Figure 8D.1 8 Inch Chimney Collar Dimensions (RS12)

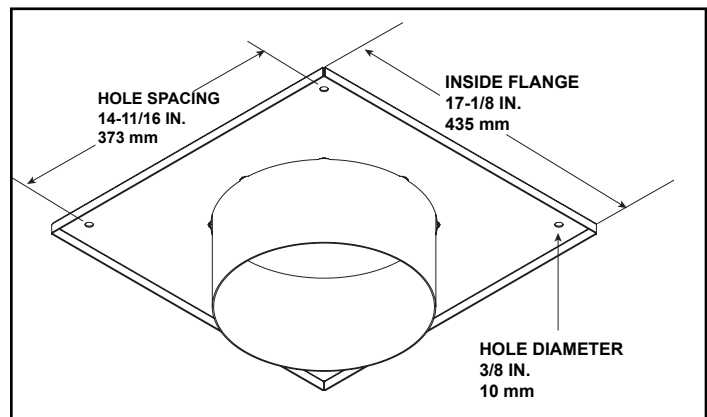


Figure 8D.2 10 Inch Chimney Collar Dimensions (RS14)

8 - VENTING

E. RSIF SERIES POWERVENT SPECIFICATIONS

Available In-Line Power Venting

An in-line power vent (RSIF160 or RSIF180) is approved for use with this appliance. It is crucial that all B-Vent pipe and elbow joints, and the longitudinal seam are sealed using a high temperature RTV Silicone and/or foil tape.

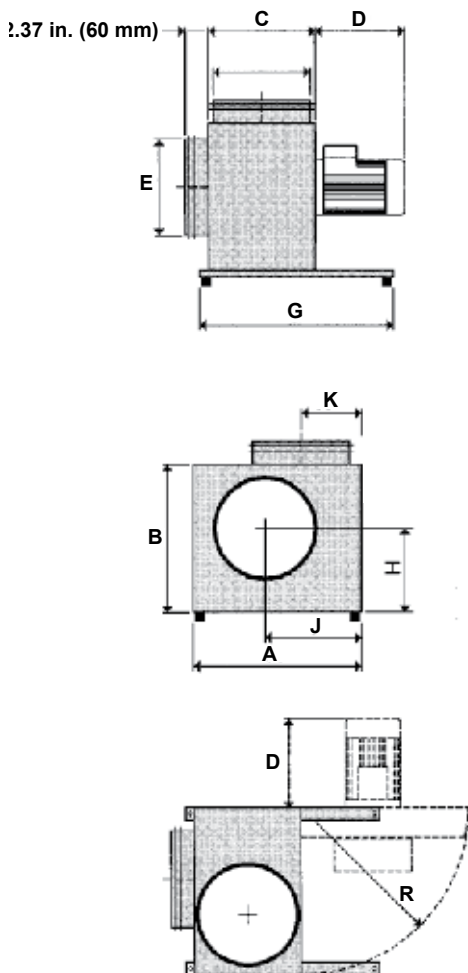


Figure 8F.5

MODEL		RSIF160	RSIF180
Fan Type		Centrifugal Impeller (F-Wheel)	Centrifugal Impeller (F-Wheel)
Motor Type		TEFC	TEFC
Voltage	(VAC)	1 x 120	1 x 120
Amperage	Amps	2.9	5.3
Motor Output	hp (kW)	3/7 (.32)	13/16 (.61)
RPM		1600	1600
Weight	lbs (kg)	38 (17)	60 (27)
Duct Connection (E) in. (mm)		8 (203)	8 (203)
Dimension A	in. (mm)	14.57 (370)	16.15 (410)
Dimension B	in. (mm)	12.60 (320)	13.98 (355)
Dimension C	in. (mm)	9.26 (235)	9.26 (235)
Dimension D	in. (mm)	5.52 (140)	7.68 (195)
Dimension E	in. (mm)	7.9 (200)	7.9 (200)
Dimension G	in. (mm)	15.75 (400)	15.75 (400)
Dimension H	in. (mm)	7.10 (180)	7.88 (200)
Dimension J	in. (mm)	8.27 (210)	9.26 (235)
Dimension K	in. (mm)	5.12 (130)	5.12 (130)
Dimension R	in. (mm)	14.57 (370)	16.15 (410)

Optional Universal Exhaust and Outdoor Air-Intake Louver information found in *Section 9 - Venting Options (B)*.

8 - VENTING

F. IN-LINE POWERVENT PREPARATIONS- RSIF 180

Perform the following steps when installing the RSIF180 on 6', 7' & 8' models.

1. Attach the provided 10 inch B-Vent collar to the intake side of the powervent. The intake side is located opposite the fan motor as shown in Figure 8F.1. The 10 inch B-Vent collar is packaged separately from the powervent. See Figure 8F.2.
2. Note the silhouette circle printed on the intake side of the powervent. The pre-drilled screw holes within the circle will be matched with the holes on the intake collar of the base plate. See Figure 8F.3.
3. Place the intake collar base plate onto the silhouette, matching up the holes as shown in Figure 8F.4. Fasten the base plate to the silhouette using five self-tapping screws.
4. Add the rope gasket included with the kit to the outlet side of the in-line powervent.
5. An adapter to increase from eight inch pipe to ten inch pipe is required on the outlet side of the in-line powervent. The adapter is included in the RSIF180 kit. See Figure 8F.5. Connect the adapter directly to the eight inch outlet collar of the in-line powervent. Connect the ten inch exhaust B-Vent to the collar and continue the vent run.

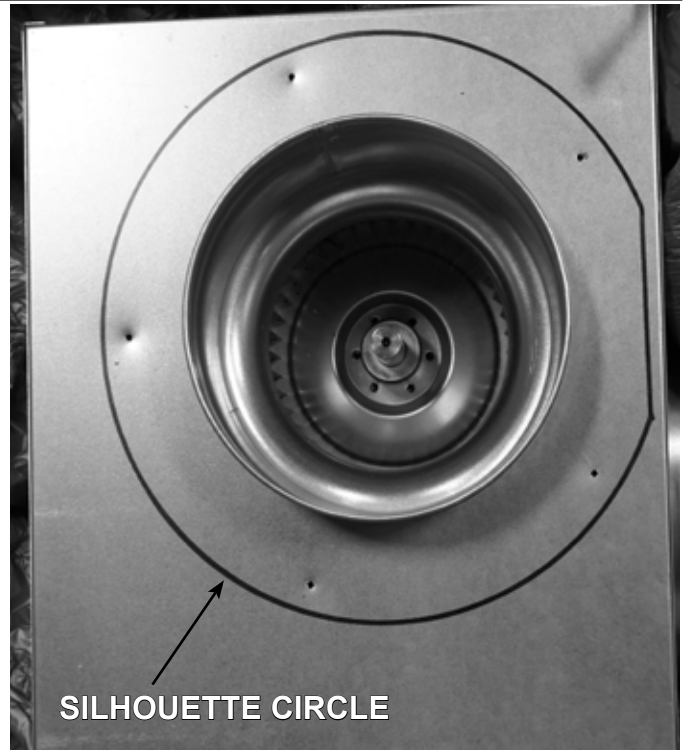


Figure 8F.3 Silhouette Circle on Intake

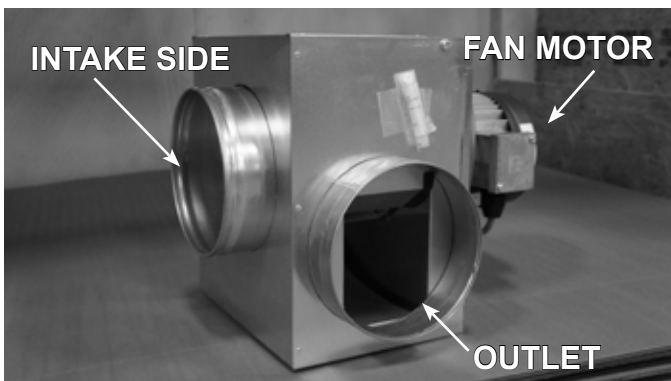


Figure 8F.1 In-Line Powervent (RSIF180)

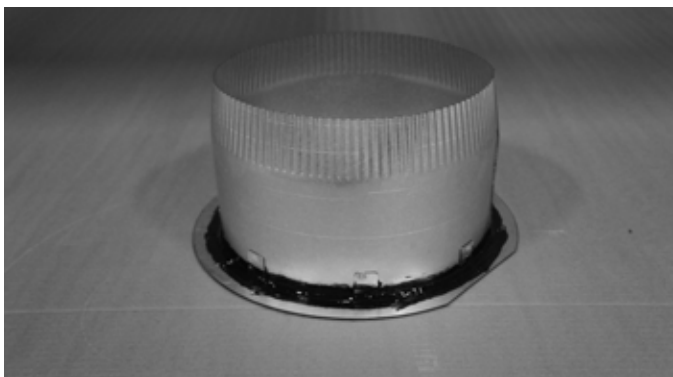


Figure 8F.2 Ten Inch B-Vent Collar

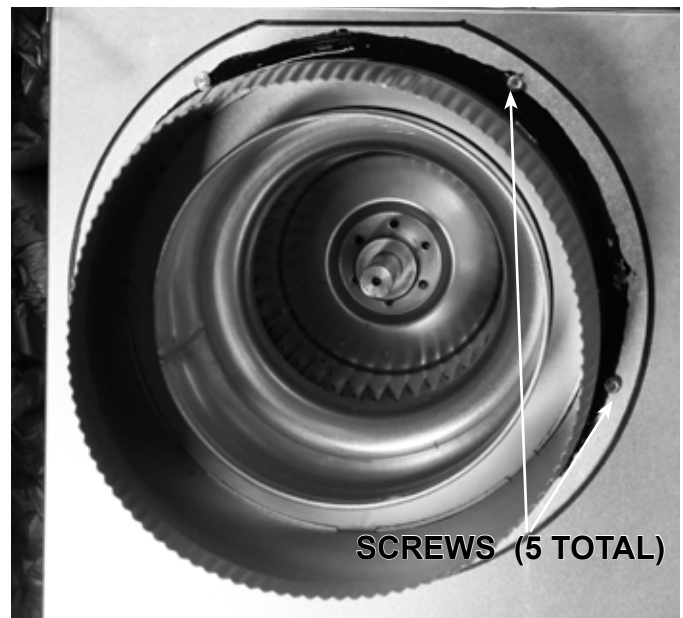


Figure 8F.4 Base Plate Fastened to Intake



Figure 8F.5

8 - VENTING

G. HORIZONTAL VENT SYSTEM CLEARANCES

ALL APPROVED VENTING	TOP	BOTTOM	SIDES
HORIZONTAL	1 [25]	1 [25]	1 [25]

inches [mm]

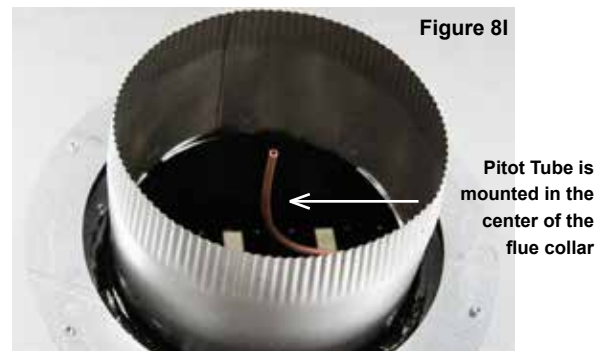
H. WALL PASS-THROUGH - Follow all local codes for requirement of firestops.

8 - VENTING

I. PITOT TUBE INFORMATION

There is a 1/4" pitot tube mounted in the center of the flue collar and is connected to the pressure switch. (Figure 8I)
This monitors the pressure in the flue and is necessary for proper operation.
Take care to keep the end of the tube clean.

IMPORTANT: THIS TUBE MUST NOT BE BENT, CLOGGED, REMOVED, OR ALTERED IN ANY WAY.



8 - VENTING

J. VERTICAL TERMINATION GUIDELINES

- The fireplace must terminate with the included approved powered termination cap.
- **NO SUBSTITUTION IS ACCEPTABLE.**
- Carefully follow the instructions included with the approved powered termination cap.
- **DO NOT use an additional speed control on this powervent.**
- You must use the included Capacitor.

K. HORIZONTAL TERMINATION VENT CAP LOCATION & CLEARANCE

This gas appliance must not be connected to a chimney serving any other appliance.

- DO NOT RECESS TERMINATION KIT INTO OUTSIDE BUILDING MATERIALS - i.e.: brick, stone, siding, etc. If necessary, extend framing so that termination kit will be exposed once building materials are installed.
- Vent termination must not be located where it will become plugged by snow or other material. The flow of combustion and ventilation air must not be obstructed.

LOCATION CLEARANCES:

- A. Above grade, veranda, porch, deck, balcony - 12 inches [305 mm].
- B. Operable window or door - 12 inches [305 mm].
- C. Permanently closed window* - 12 inches [305 mm] (recommended to prevent condensation on window).
- D. Ventilated soffit* - 24 inches [610 mm].
- E. Unventilated soffit* - 12 inches [305 mm].
- F. Outside corner* - 6 inches [152 mm].
- G. Inside corner* to non-combustibles - 12 inches [305 mm]. Inside corner* to combustibles - 24 inches [610 mm].
- H. Meter / Regulator: Not to be installed above a gas meter/regulator assembly within 3 ft. [914 mm] horizontally from the center-line of the regulator.
- I. Gas Service regulator vent outlet - 3 ft. [914 mm].
- J. Non-mechanical air supply inlet to building or the combustion air inlet to any other appliance.
US: 9" [229 mm] CANADA: 12 inches [305 mm].
- K. Mechanical air supply inlet.
US: 3 ft. [914 mm] above if within 10 ft. [3.05 m] horizontal. Massachusetts installations: 10 ft. [3.05 m].
CANADA: 6 ft. [1.83 m].
- L. Above paved side-walk or paved driveway located on public property - 7 ft. [2.13 m].
- M. Under veranda, porch, deck, or balcony [must be fully opened on a minimum of 2 sides] - Combustible - 24 inches [610 mm],
Non-Combustible - 12 inches [305 mm].
- N. Between two horizontal terminations - 12 inches [305 mm]. (Not shown in Figure 8I).
- O. Between two vertical terminations - 12 inches [305 mm]. Terminations may be same height (Not shown in Figure 8I).
N & O: Minimum of 12 inches [305 mm] required when two exhaust termination caps are placed next to each other. Measurement must be taken from inside edge of one steel chimney adapter to the inside edge of the other steel chimney adapter. A metal divider plate with same length and height as termination cap is required to be installed between the caps. Divider plate is not required if caps are at least 24 inches [610 mm] apart, measured edge to edge.
- P. Above furnace exhaust or inlet - 12 inches [305 mm]. (Not shown in Figure 8K).

*Clearance must be in accordance with local installation codes & the requirements of the gas supplier.



NOTE: A vent cannot be located directly above a side-walk or paved driveway that is located between two single family dwellings and serves both dwellings.

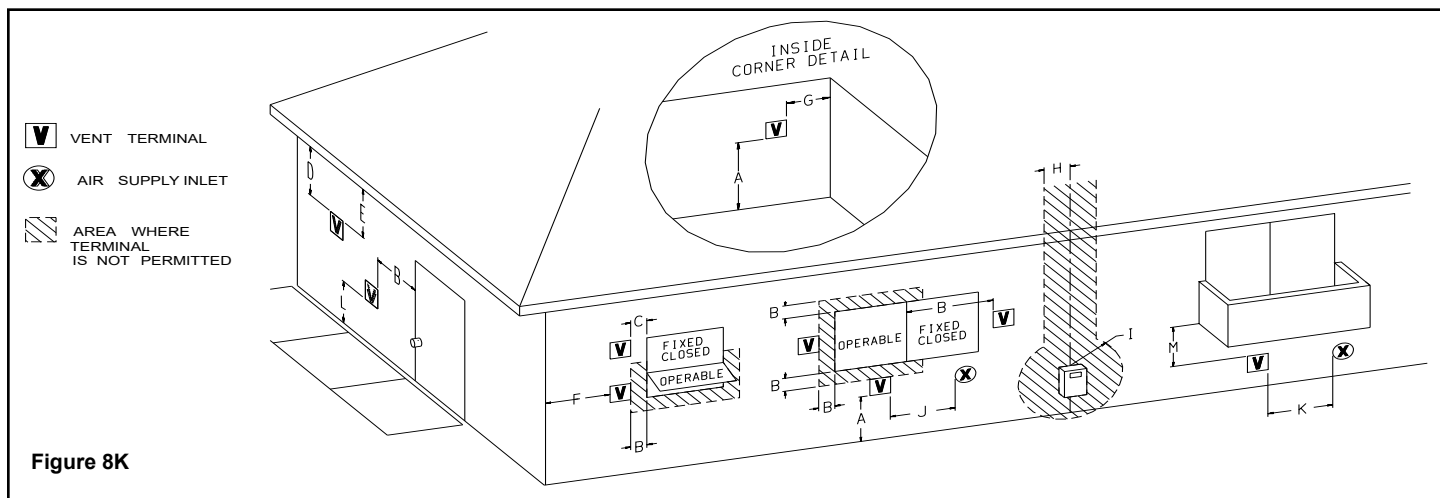
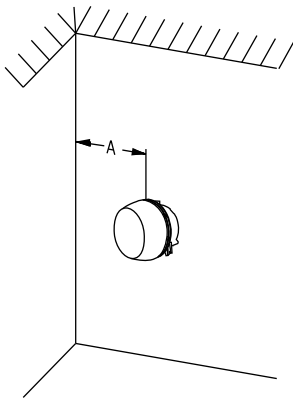


Figure 8K

8 - VENTING

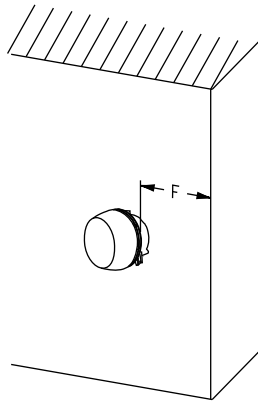
L. HORIZONTAL TERMINATION VENT CAP LOCATION & CLEARANCES

Inside Corner



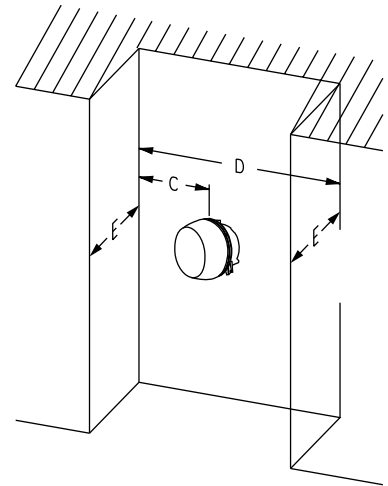
A = Combustible 24" (609.6mm)
= Non-combustible 12" (304.8mm)

Outside Corner



F = Combustible 6" (152mm)
= Non-combustible 6" (152mm)

Recessed Location

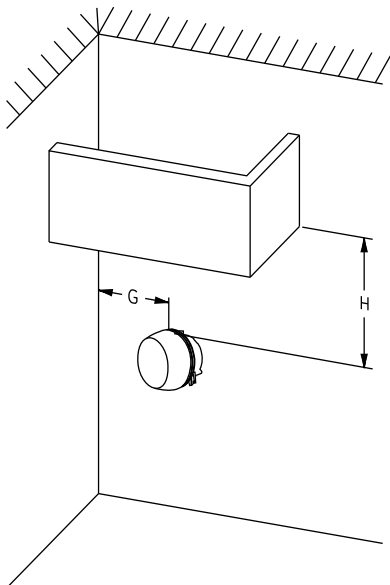


C = Clearance from corner in recessed location
= Combustible 24" (609.6mm)
= Non-combustible 12" (304.8mm)

D = Minimum width for back wall of a recessed location
= Combustible 64" (1,625.6mm)
= Non-combustible 40" (1,016mm)

E = Maximum depth of 48" (1,219mm) for recessed location

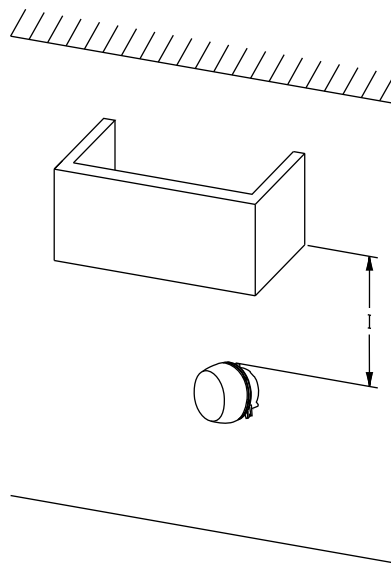
Balcony with perpendicular side wall



G = Combustible 24" (609.6mm)
= Non-combustible 12" (304.8mm)

H = Combustible 24" (609.6mm)
= Non-combustible 12" (304.8mm)

Balcony with no side wall



I = Combustible 24" (609.6mm)
= Non-combustible 12" (305mm)

IMPORTANT:
All dimensions are from the edge of the cap.

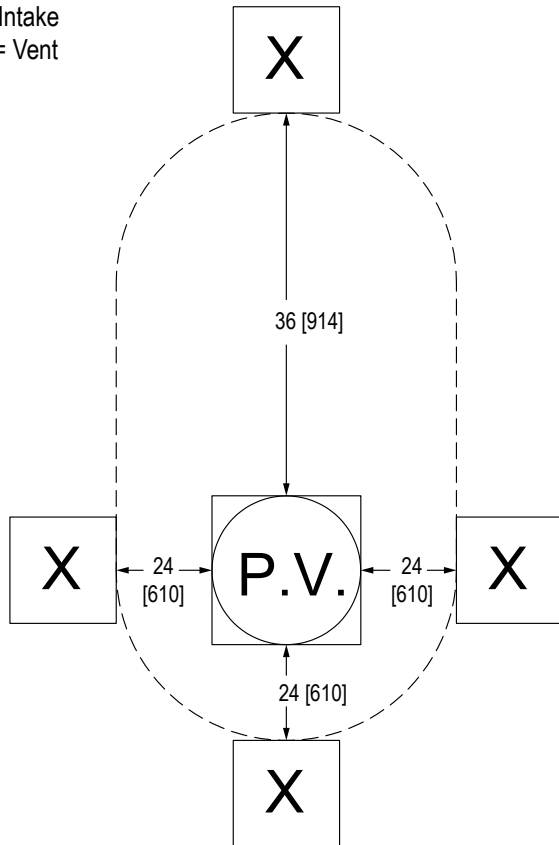
Figure 8L

8 - VENTING

M. HORIZONTAL POWERVENT AND AIR-INTAKE PLACEMENT CLEARANCES

M.1 - RS SERIES POWERVENT

X = Intake
PV = Vent



inches [mm]

Minimum Clearance Using a RS Series Powervent

Intake Placed Above Vent = 36 [914]

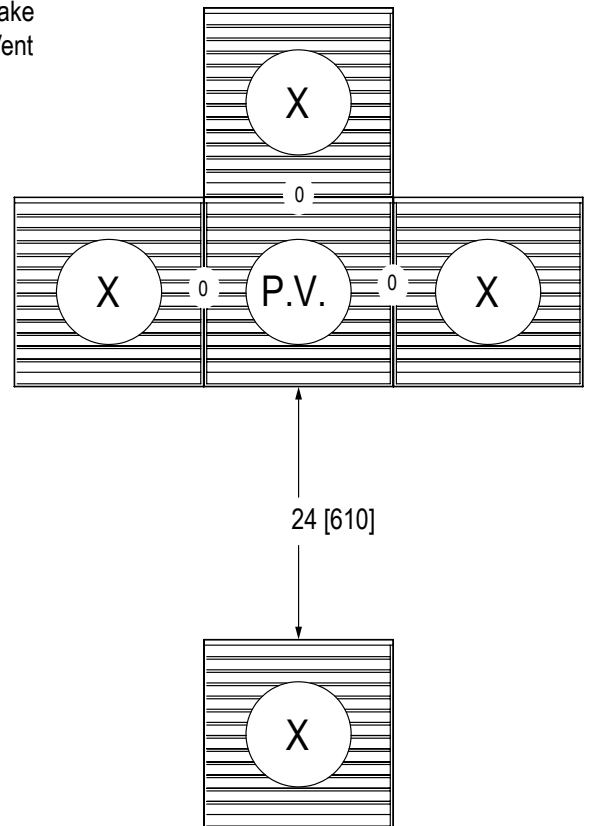
Intake Place To Left Side, Right Side or Below Vent* = 24 [610]

*Left/Right/Below With A Non-Combustible Divider Between = 12 [305]

Figure 8M.1 ←

M.2 - IN-LINE POWERVENT (LOUVER 8/10)

X = Intake
PV = Vent



inches [mm]

Minimum Clearance Using an In-Line Powervent

Intake Placed Below Vent = 24 [610]

Intake Place To Left Side, Right Side or Above Vent = 0

Figure 8M.2 ←

8 - VENTING

N. VERTICAL VENT CAP LOCATION AND CLEARANCES

ROOF PITCH	H (Min.) Ft.	H (Min.) M.
FLAT TO 6/12	1.0*	0.30
OVER 6/12 TO 7/12	1.25*	0.38
OVER 7/12 TO 8/12	1.5*	0.46
OVER 8/12 TO 9/12	2.0*	0.61
OVER 9/12 TO 10/12	2.5*	0.76
OVER 10/12 TO 11/12	3.25*	0.99
OVER 11/12 TO 12/12	4.0	1.22
OVER 12/12 TO 14/12	5.0	1.52
OVER 14/12 TO 16/12	6.0	1.83
OVER 16/12 TO 18/12	7.0	2.13
OVER 18/12 TO 20/12	7.5	2.27
OVER 20/12 TO 21/12	8.0	2.44

* = 3 foot minimum in snowy regions

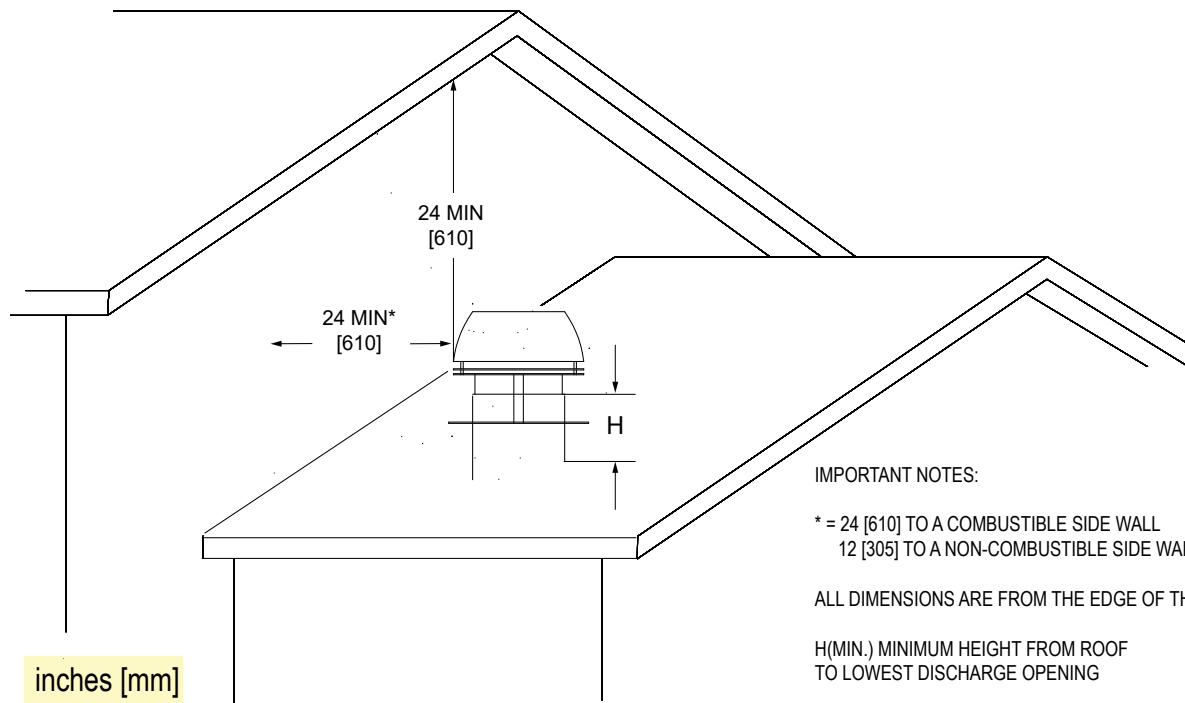
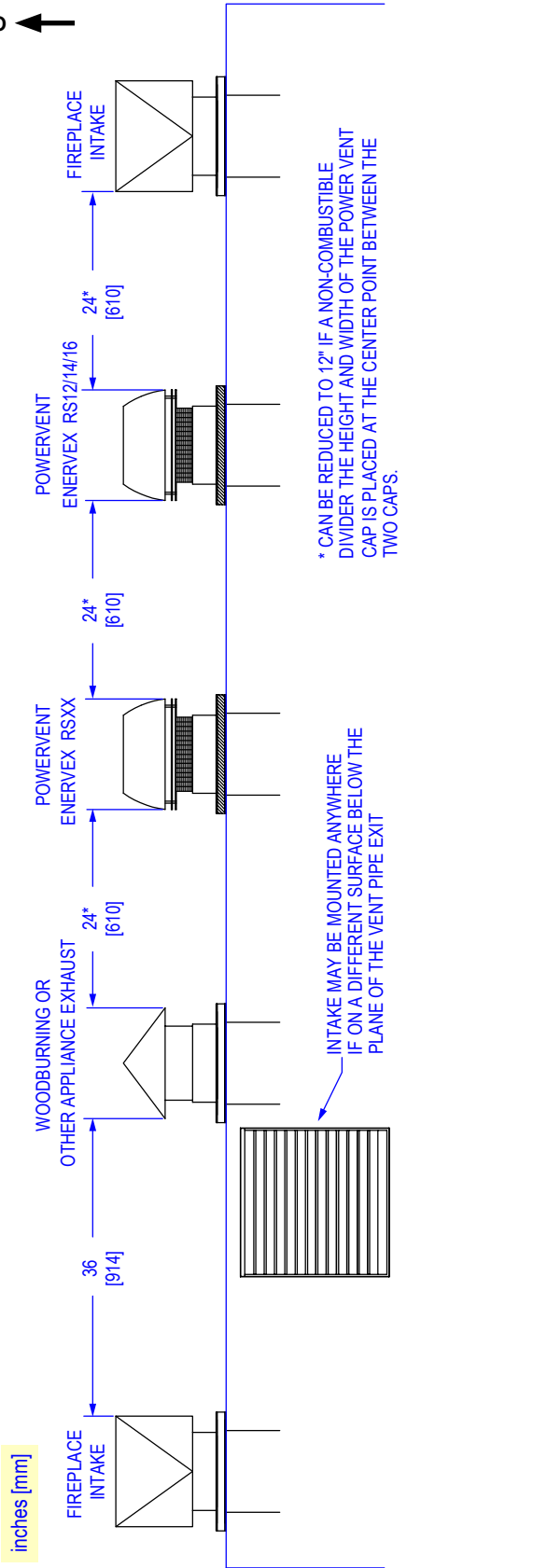


Figure 8N

8 - VENTING

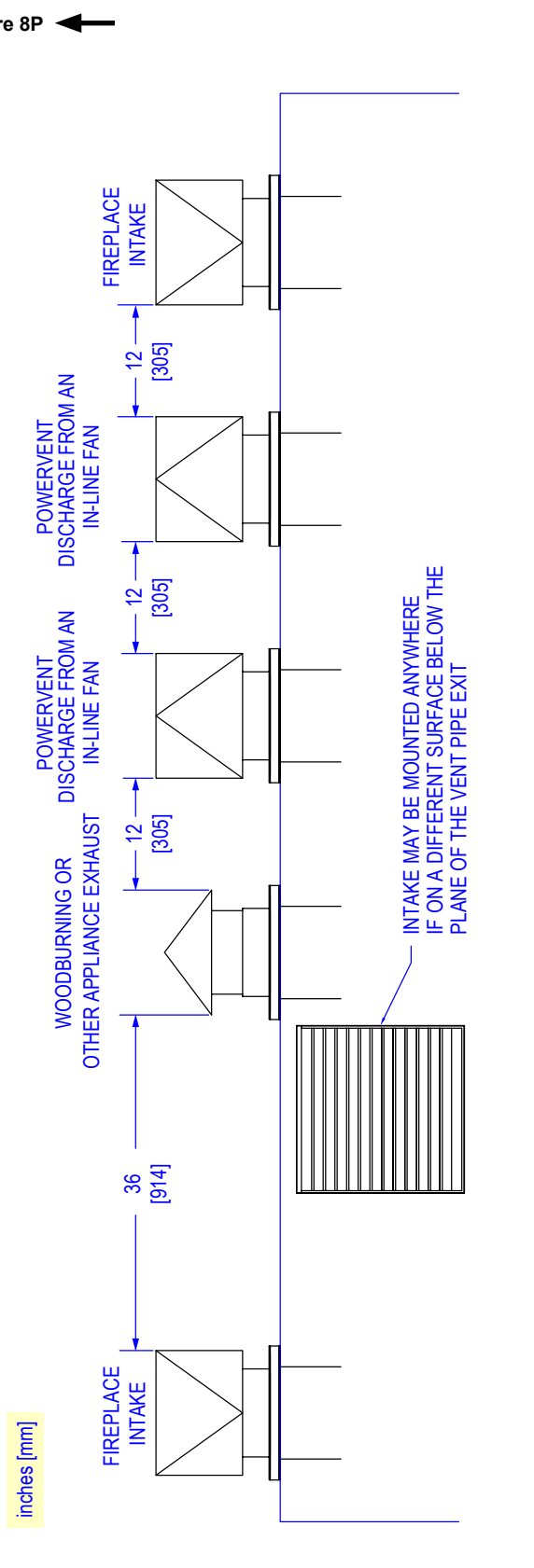
O. VERTICAL -CLEARANCES - RS12/14/16

Figure 8O ←



P. VERTICAL -CLEARANCES -RSIF160-180

Figure 8P ←



8 - VENTING

Q. WALL TERMINATION - WITH AND WITHOUT DAMPER

Wall Termination Without Optional Mechanical Damper

FRAMING:

8" = 11-3/4 [298] W X 11-3/4 [298] H

10" = 13-1/4 [337] W X 13-1/4 [337] H

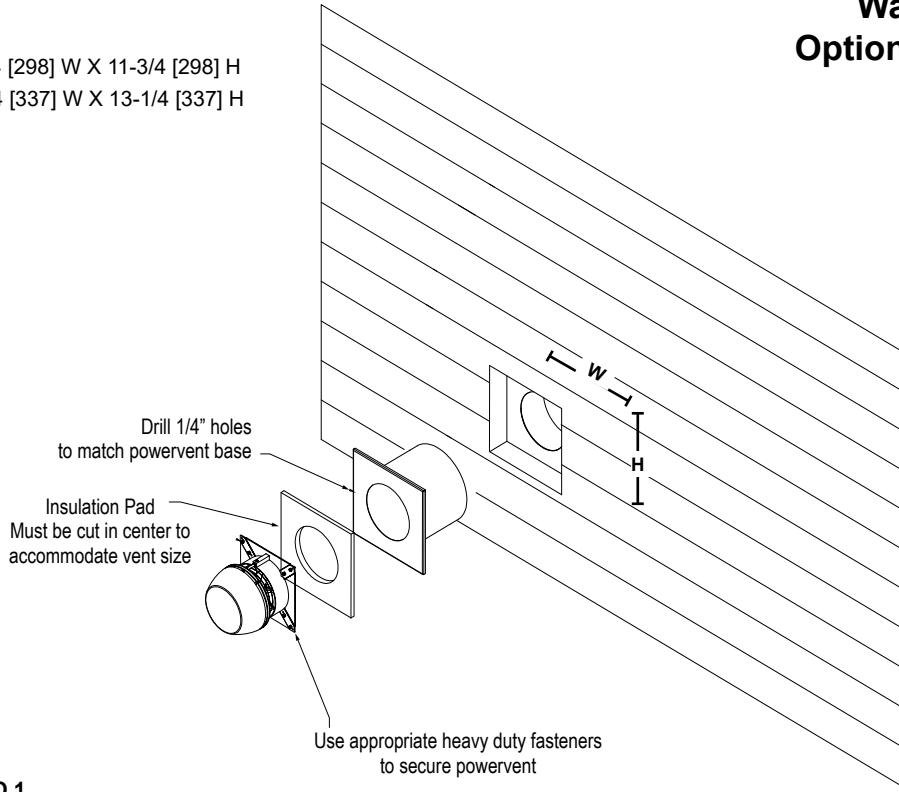


Figure 8Q.1

Wall Termination With Optional Mechanical Damper

OPTIONAL

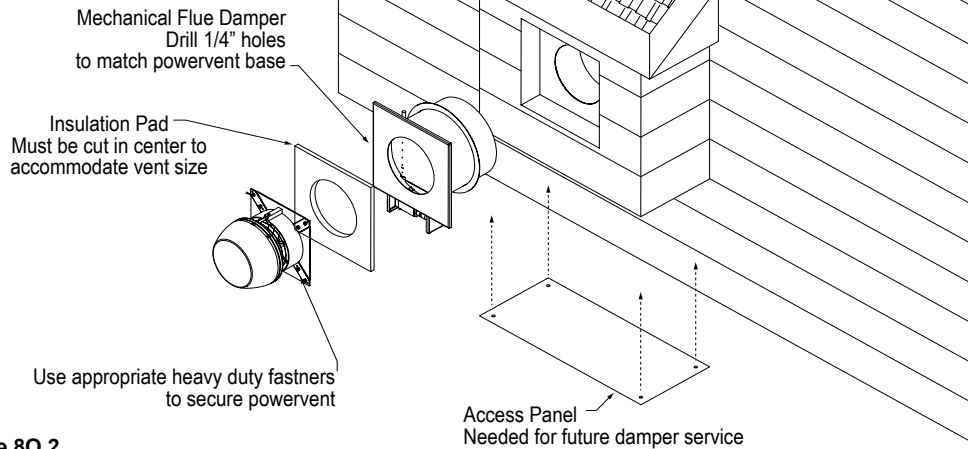


Figure 8Q.2

8 - VENTING

R. ROOF TERMINATION CAP INSTALLATION - WITH AND WITHOUT DAMPER

Roof Termination Without Optional Mechanical Damper

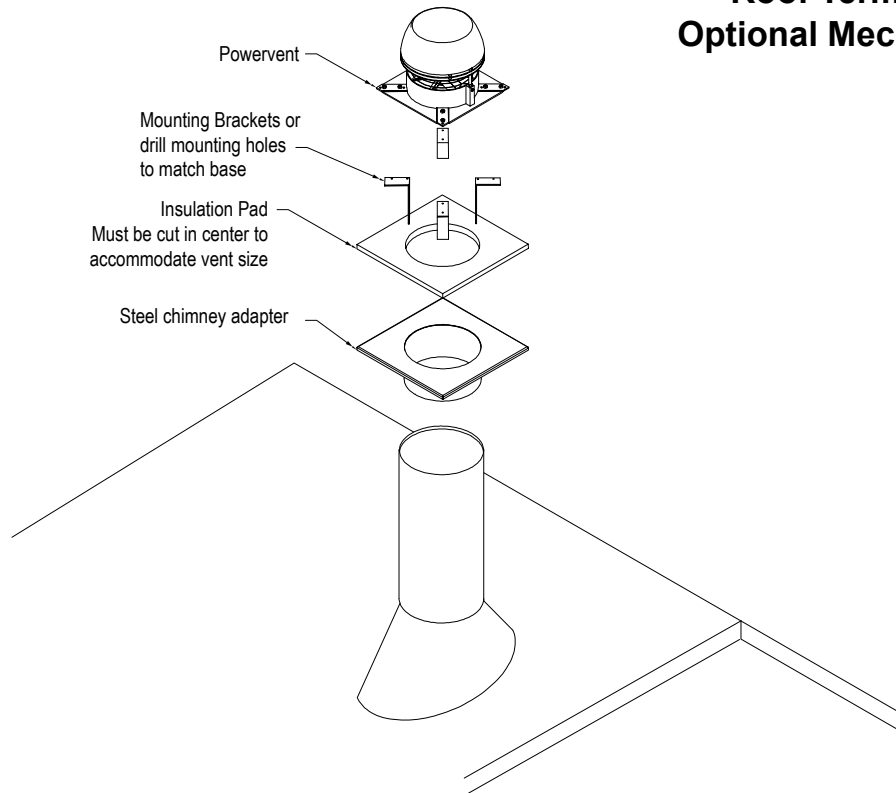


Figure 8R.1

Roof Termination With Optional Mechanical Damper

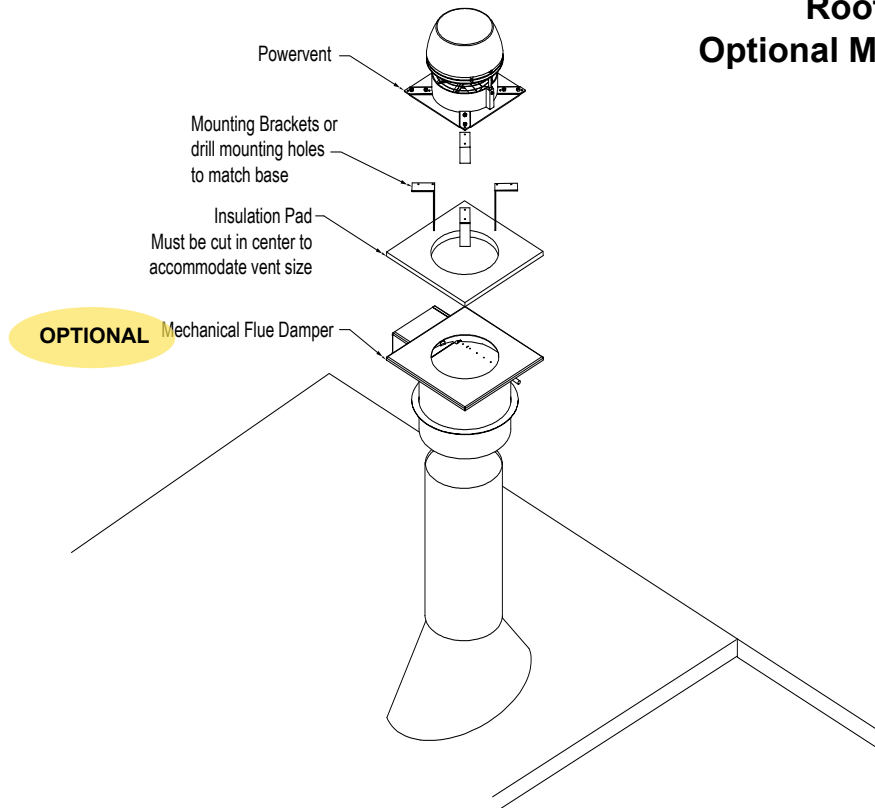


Figure 8R.2

8 - VENTING

S. CHASE TOP CAP INSTALLATION - WITH AND WITHOUT DAMPER

Roof Termination Without Optional Mechanical Damper

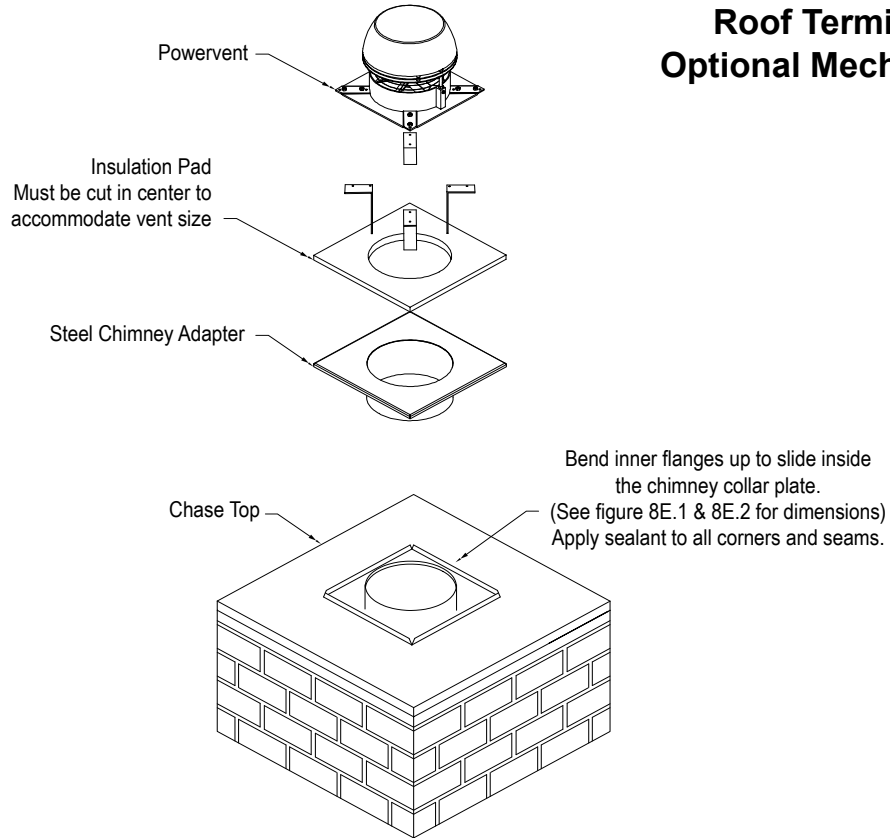


Figure 8S.1 ←

Roof Termination With Optional Mechanical Damper

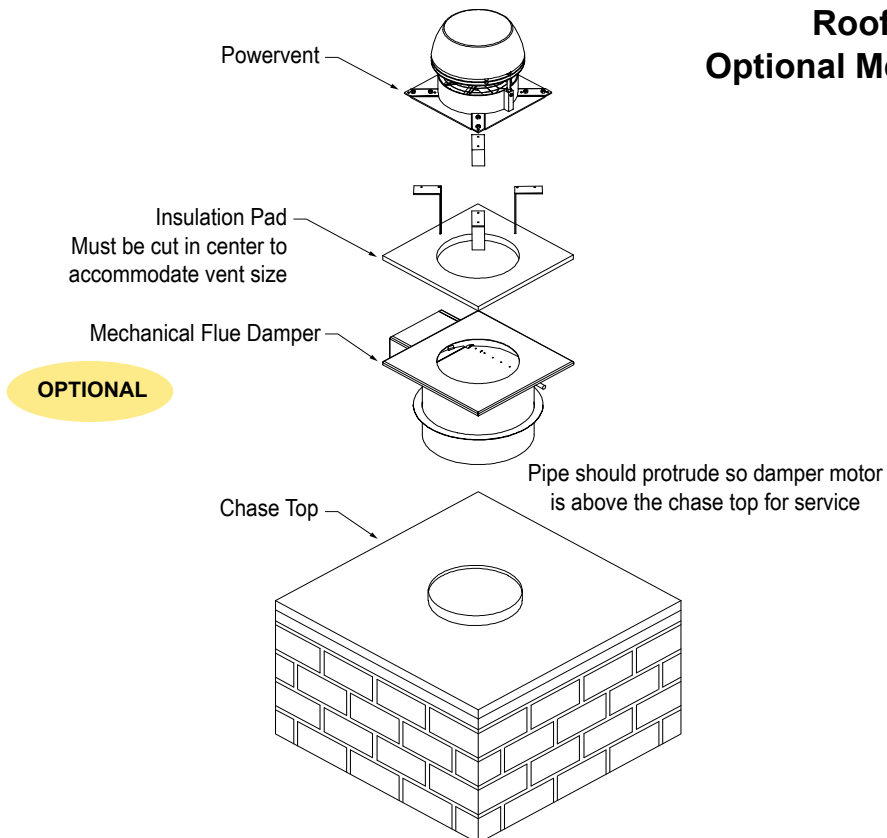


Figure 8S.2 ←

8 - VENTING

T. CHIMNEY SHROUD TYPES AND SPECIFICATIONS

NON-COMBUSTIBLE CONSTRUCTION ONLY ALLOWED

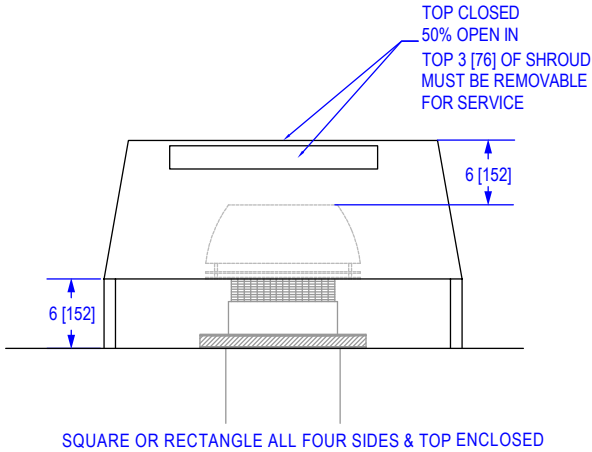


Figure 8T.1 ←

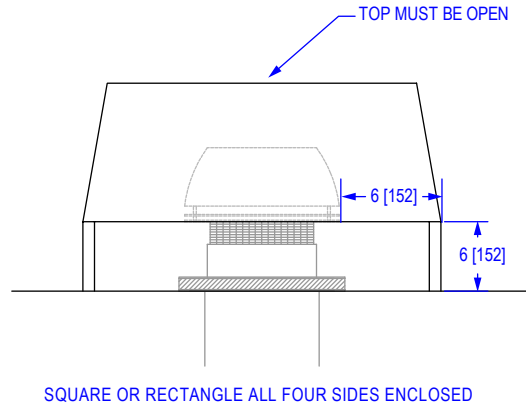


Figure 8T.2 ←

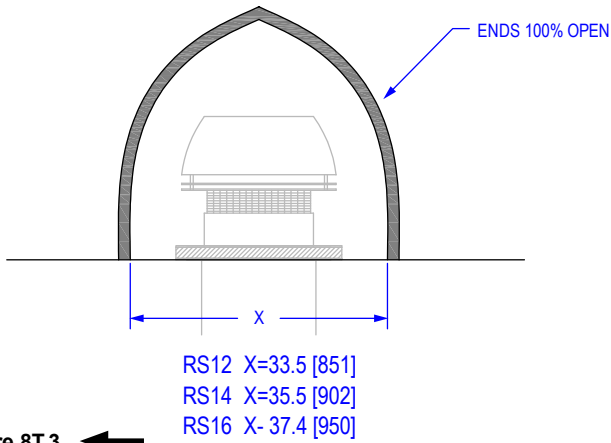


Figure 8T.3 ←

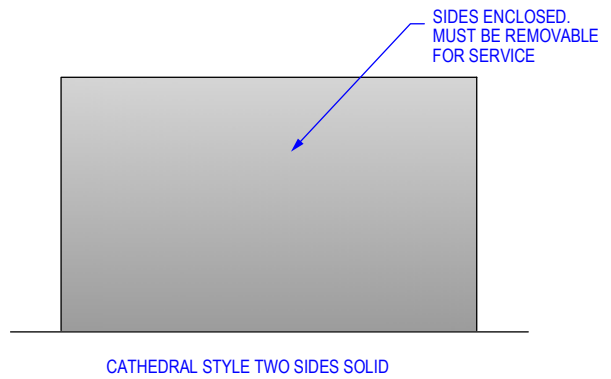


Figure 8T.4 (Side View) ←

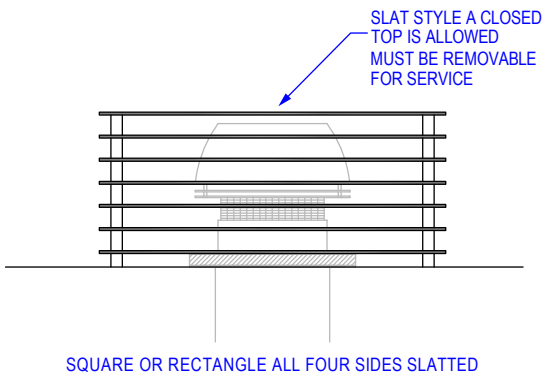


Figure 8T.5 (Front View) ←

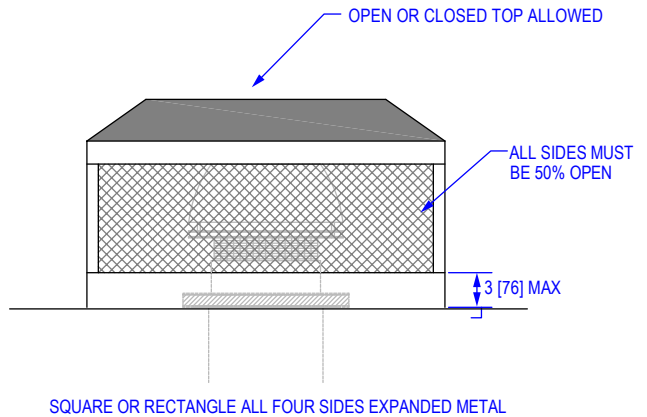


Figure 8T.6 ←

inches [mm]

8 - VENTING

U. OUTDOOR AIR INTAKE

This fireplace has the options of air intake connections on the side or the bottom of the fireplace.

This fireplace is approved for use with 10 inch rigid metal pipe or UL approved 10 inch Class 0 or Class 1 flex for intake air.
Use Table 8U.1 for venting requirements if using UL approved 10 inch flex for intake air.

Vent runs utilizing 10 inch rigid metal pipe may be 110 feet with 11 elbows. We recommend insulating the intake air duct or using UL approved Class 1 insulated flex in hot, humid or cold climates.

If not using our LOUVER10/12 intake cap, the intake cap must maintain the square inches stated in table 8U.2. This usually means the intake cap will need to be sized larger than the intake pipe to account for bird/ insect screens.

Example: 10 inch intake will require 12 inch intake cape connected via duct reducer. Failure to do so will result in higher operating temperatures.

The fireplace may also take room air for combustion. Intake screen/vent must be sized appropriately. You must plan for the replacement air that is consumed from the room by the fireplace. Do not draw intake air from a crawl space or an attic (ventilated or not ventilated).

WARNING! Risk of Fire! DO NOT draw intake air from an attic or crawl space. Appliance could overheat.

Use Table 8U.2 for reference on CFM replacement air if drawing intake air from inside the house and open air requirements for intake screen/vent or consult Hearth & Home Technologies for more information.

Figure 8U.1								Figure 8U.2		
UL Approved Class 1, 10 Inch Insulated Flex Intake Air Venting Requirements								CFM Replacement Air		
Fireplace Size	Length Of Run	Number of Offsets FEET [METERS]						Fireplace Size	Required CFM	Open Air Requirement
		0-3	4	5	6	7	8			
3'	Feet [Meters]	100 [30.5]	90 [27.4]	80 [24.4]	70 [21.3]	60 [18.2]	50 [15.2]	3'	320 CFM	78 Sq. Inches
4'		100 [30.5]	90 [27.4]	80 [24.4]	70 [21.3]	60 [18.2]	50 [15.2]	4'	480 CFM	78 Sq. Inches
5'		70 [21.3]	60 [18.2]	50 [15.2]	40 [12.2]	30 [9.1]	20 [6.1]	5'	640 CFM	78 Sq. Inches
6'		45 [13.7]	35 [10.7]	25 [7.6]	15 [4.6]	5 [1.5]	N/A	6'	800 CFM	78 Sq. Inches
7'		32 [9.8]	20 [6.1]	15 [4.6]	10 [3.05]	---	---	7'	960 CFM	78 Sq. Inches
8'	12" Flex	70 [21.3]	60 [18.2]	50 [15.2]	40 [12.2]	30 [9.1]	20 [6.1]	8'	1,120 CFM	113 Sq. Inches

NOTE: GLASS TEMPERATURES

Stellar fireplaces use large amount of outside air for combustion and to cool the viewing glass.
When operating the fireplace in the summer, the incoming air will be warmer therefore the glass will be warmer.
When operating the fireplace in the winter, the glass will be cooler. This is not a safety concern, but something to note.

POWERVENT AND AIR-INTAKE CAP PLACEMENT CLEARANCES

For horizontal installation clearances refer to *Section 8 - Venting (K, L & M)*.
For vertical installation clearances refer to *Section 8 - Venting (J, N, O & P)*.

8 - VENTING

V. CHANGING FROM OUTSIDE SIDE INTAKE AIR TO BOTTOM INTAKE AIR

Step 1: Remove 4 screws that hold collar plate in place.
Refer to Figure 8V.1

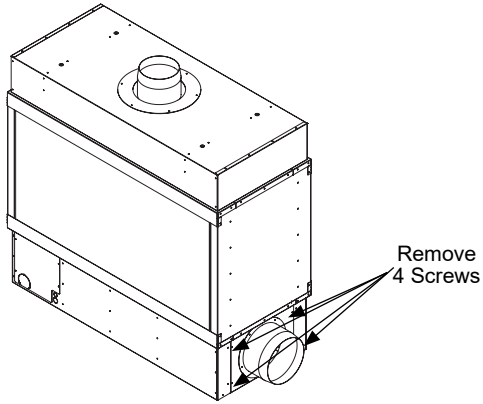


Figure 8V1

Step 2: Slide collar plate off fireplace.
Refer to Figure 8V.2

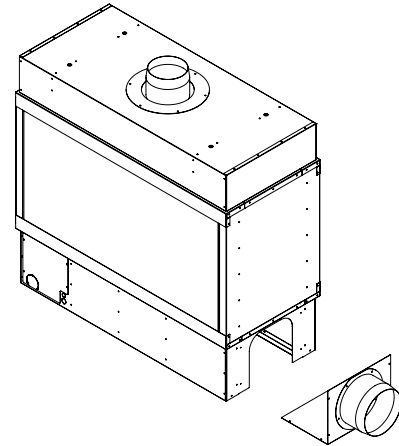


Figure 8V.2

Step 3: Turn plate so collar is facing down, slide plate into slots on each side. Refer to Figure 8V.3A and Figure 8V.3B

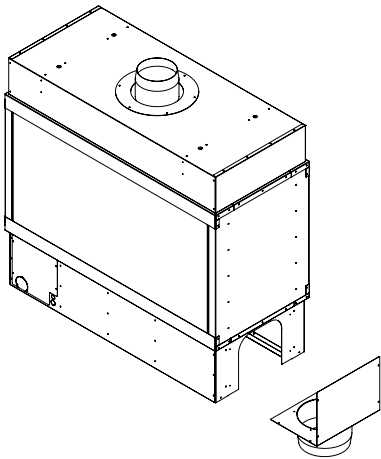


Figure 8V3A

Step 4: Re-attach the plate with four screws.
Refer to Figure 8V.4

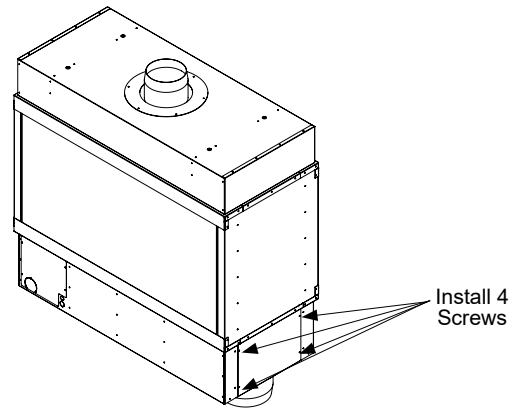


Figure 8V4

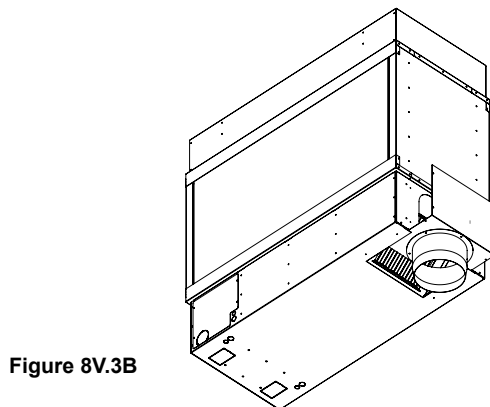


Figure 8V.3B

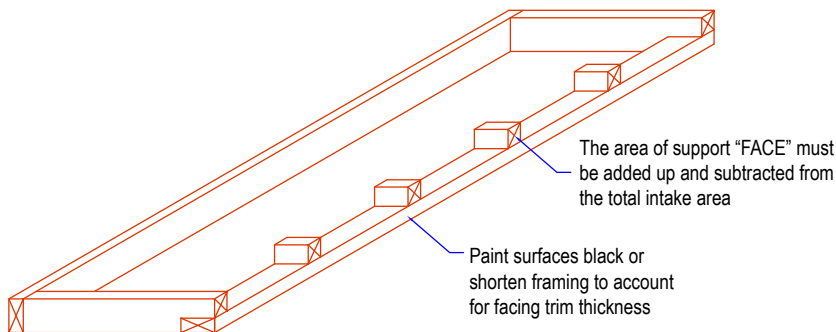
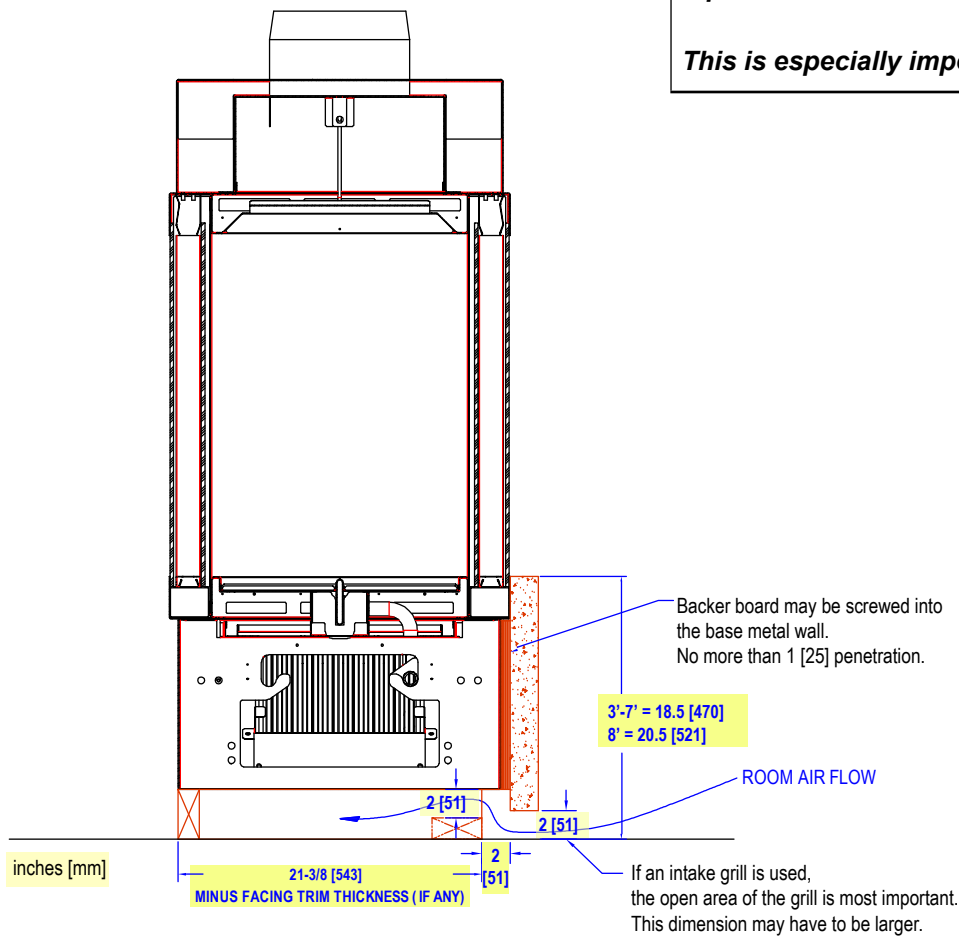
8 - VENTING

W. ROOM AIR FOR COMBUSTION - TOE KICK EXAMPLE WITHOUT HEARTH

SINGLE SIDE INTAKE WITHOUT HEARTH EXTENSION

If drawing air from the room, the appropriate amount of make-up air must be introduced to replace the air taken from the room.

This is especially important in small volume rooms.



FIREPLACE BASE SUPPORT

Total required open area is 78 SQIN for 3'-7' fireplaces and 113 SQIN for 8' fireplaces.
 Custom fireplace's open area must be 1.5 X the total area of the exhaust flue(s).
 Any grill work must take into account these opening minimums.

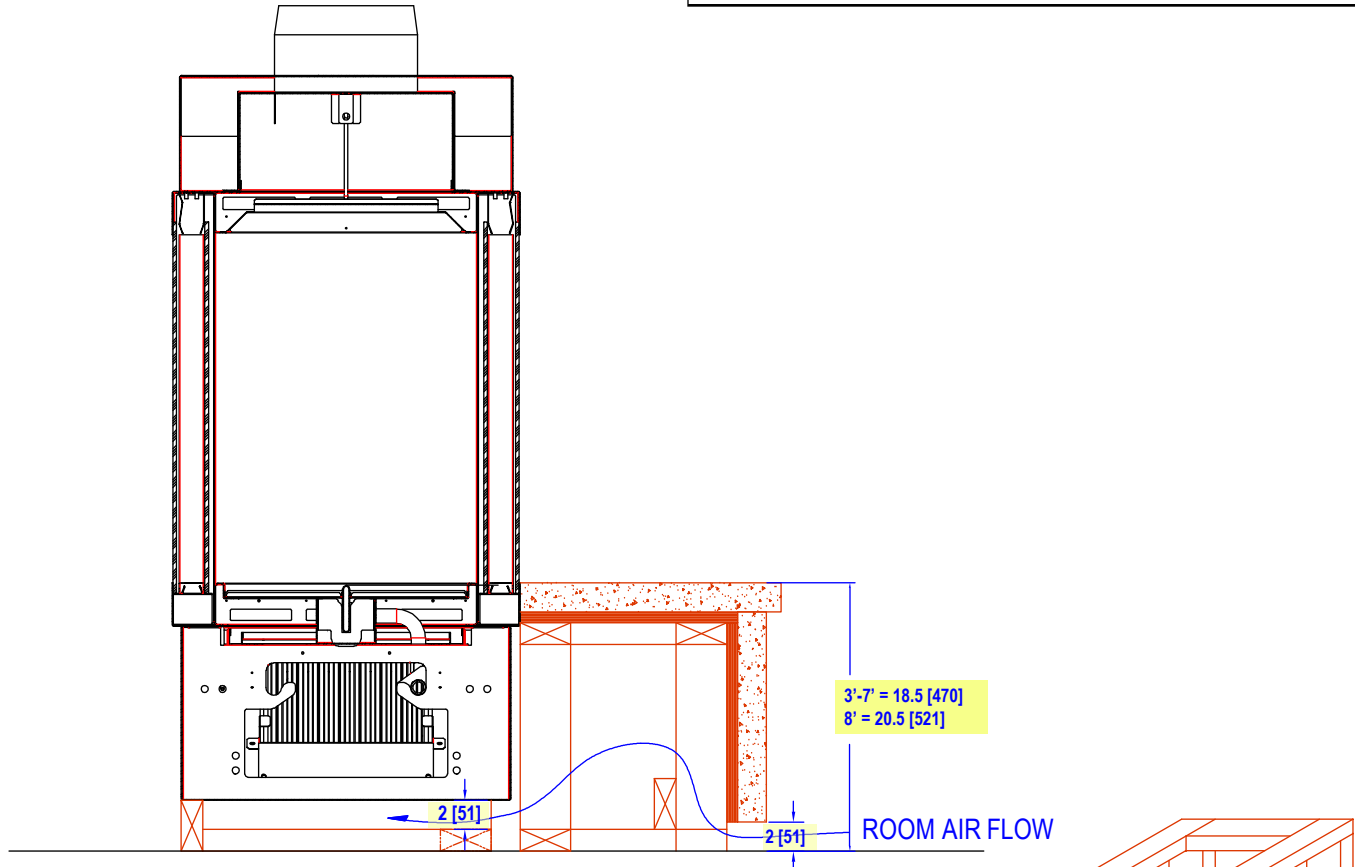
Figure 8W ←

8 - VENTING

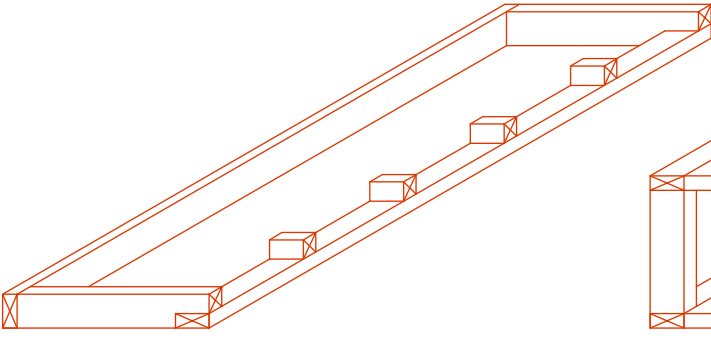
X ROOM AIR FOR COMBUSTION - TOE KICK EXAMPLE WITH HEARTH

SINGLE SIDE INTAKE WITH HEARTH EXTENSION

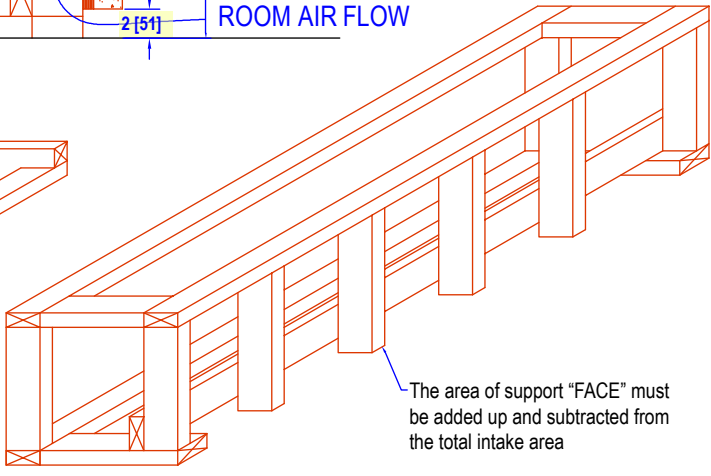
Follow this template on at least one long side of multiside units.



inches [mm]



FIREPLACE BASE SUPPORT



HEARTH EXTENSION SUPPORT

Total required open area is 78 SQIN for 3'-7' fireplaces and 113 SQIN for 8' fireplaces.
 Custom fireplace's open area must be 1.5 X the total area of the exhaust flue(s).
 Any grill work must take into account these opening minimums.

Figure 8X ←

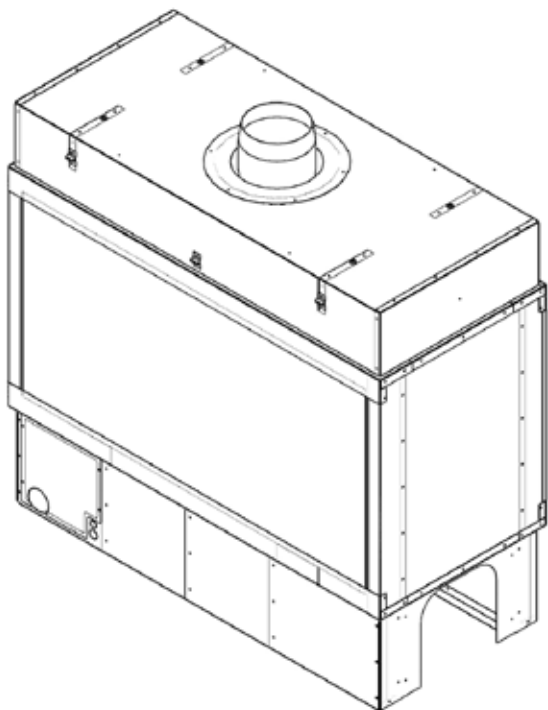
9- VENTING OPTIONS

NOTE: CANNOT USE ON BAY OR FOUR SIDED DESIGNS

A. OPTIONAL VERTICAL AIR-INTAKE SIDE CHUTE

Use of the optional Outdoor Air-Intake Side Chute may be used with vertical runs where space is limited on the side of the fireplace.

inches [mm]		WIDTH	DEPTH	HEIGHT	COLLAR DIAMETER
Side Chute Part Number	DESCRIPTION - (FP WIDTH)	A	B	C	D
VIC20	Vertical Air-intake Chute for 20" High Enlight (3/4/5/6/7)	8-9/32 [210]	14-21/32 [372]	54-29/32 [1,395]	10 [254]
VIC24	Vertical Air-intake Chute for 24" High Enlight (3/4/5/6/7)	8-9/32 [210]	14-21/32 [372]	58-29/32 [1,496]	10 [254]
VIC30	Vertical Air-intake Chute for 30" High Enlight (3/4/5/6/7)	8-9/32 [210]	14-21/32 [372]	64-29/32 [1,649]	10 [254]
VIC36	Vertical Air-intake Chute for 36" High Enlight (3/4/5/6/7)	8-9/32 [210]	14-21/32 [372]	70-29/32 [1,801]	10 [254]
VIC48	Vertical Air-intake Chute for 48" High Enlight (3/4/5/6/7)	8-9/32 [210]	14-21/32 [372]	82-29/32 [2,108]	10 [254]
VIC60	Vertical Air-intake Chute for 60" High Enlight (3/4/5/6/7)	8-9/32 [210]	14-21/32 [372]	94-29/32 [2,387]	10 [254]
VIC20-8	Vertical Air-intake Chute for 20" High Enlight (8)	11-9/32 [287]	14-21/32 [372]	60-29/32 [1,547]	12 [305]
VIC24-8	Vertical Air-intake Chute for 24" High Enlight (8)	11-9/32 [287]	14-21/32 [372]	64-29/32 [1,649]	12 [305]
VIC30-8	Vertical Air-intake Chute for 30" High Enlight (8)	11-9/32 [287]	14-21/32 [372]	70-29/32 [1,801]	12 [305]
VIC36-8	Vertical Air-intake Chute for 36" High Enlight (8)	11-9/32 [287]	14-21/32 [372]	76-29/32 [1,953]	12 [305]
VIC48-8	Vertical Air-intake Chute for 48" High Enlight (8)	11-9/32 [287]	14-21/32 [372]	88-29/32 [2,260]	12 [305]
VIC60-8	Vertical Air-intake Chute for 60" High Enlight (8)	11-9/32 [287]	14-21/32 [372]	100-29/32 [2,565]	12 [305]



- Order at same time as the fireplace to ensure fireplace is built with the VIC attached during production.
- VIC fits inside of framing.

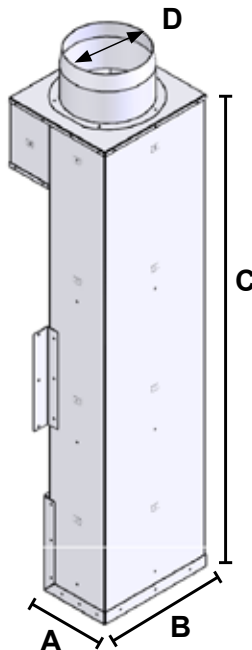


Figure 9A

inches [mm]

9- VENTING OPTIONS

B. OPTIONAL UNIVERSAL EXHAUST IN AIR-INTAKE LOUVER

MODEL	UNITS	USE
LOUVER-8	3', 4' & 5'	Exhaust Only
LOUVER-10	3', 4' & 5'	Air-Intake
LOUVER-10	6', 7'	Exhaust and Air-Intake
LOUVER-10	8'	Exhaust Only
LOUVER-12	8'	Air-Intake ONLY

- This kit is an optional method of terminating the fresh air and/or exhaust for the appliance.
- Exhaust terminations must be installed with an inline powervent.
- Follow the complete installation instructions provided with the louver kit.



Figure 9B.1

LOUVER-8 & LOUVER-10

inches [mm]

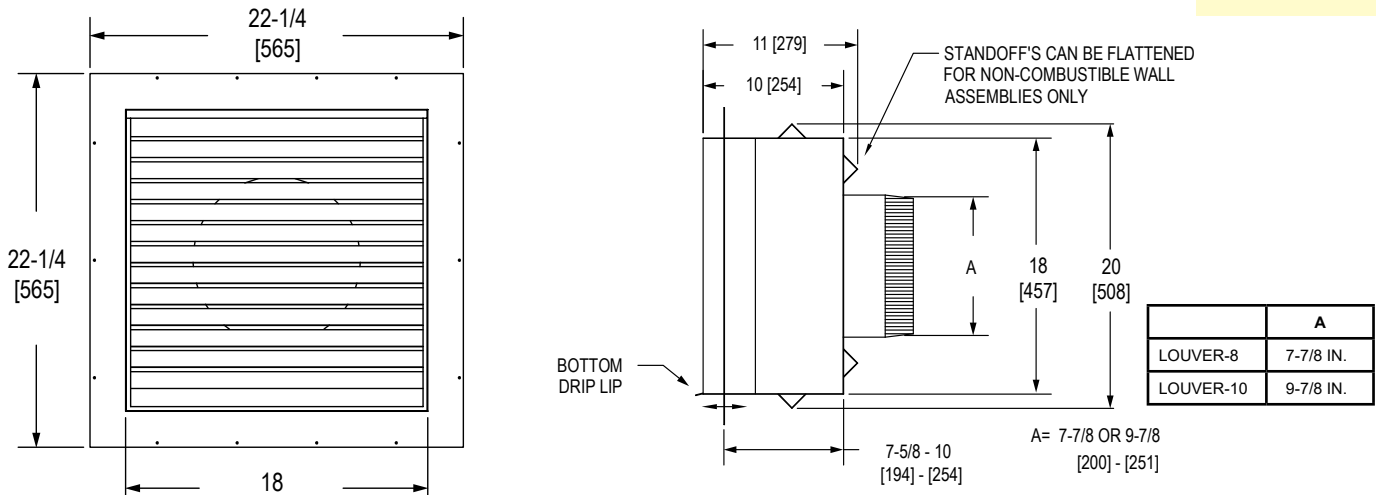


Figure 9B.2

LOUVER-12

AIR-INTAKE ONLY

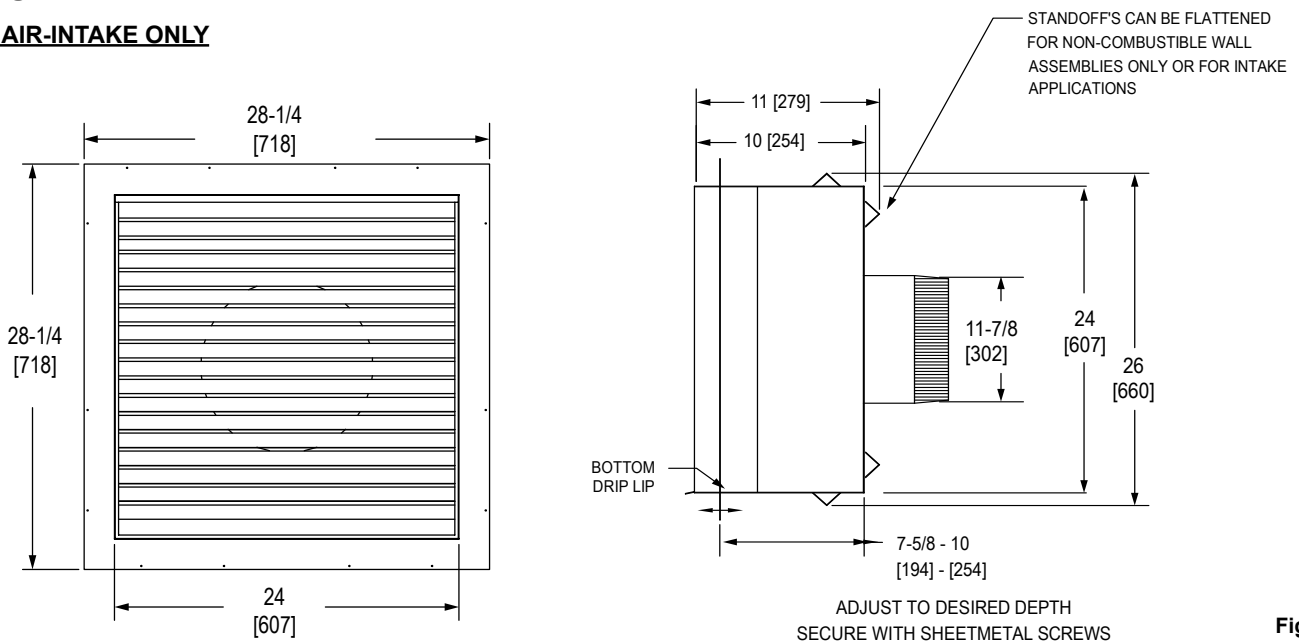


Figure 9B.3

10 - ELECTRIC



For Tethered Control Panel Refer To Section 10 (D, E.1 & E.2)

A. ELECTRICAL INSTALLATION OVERVIEW

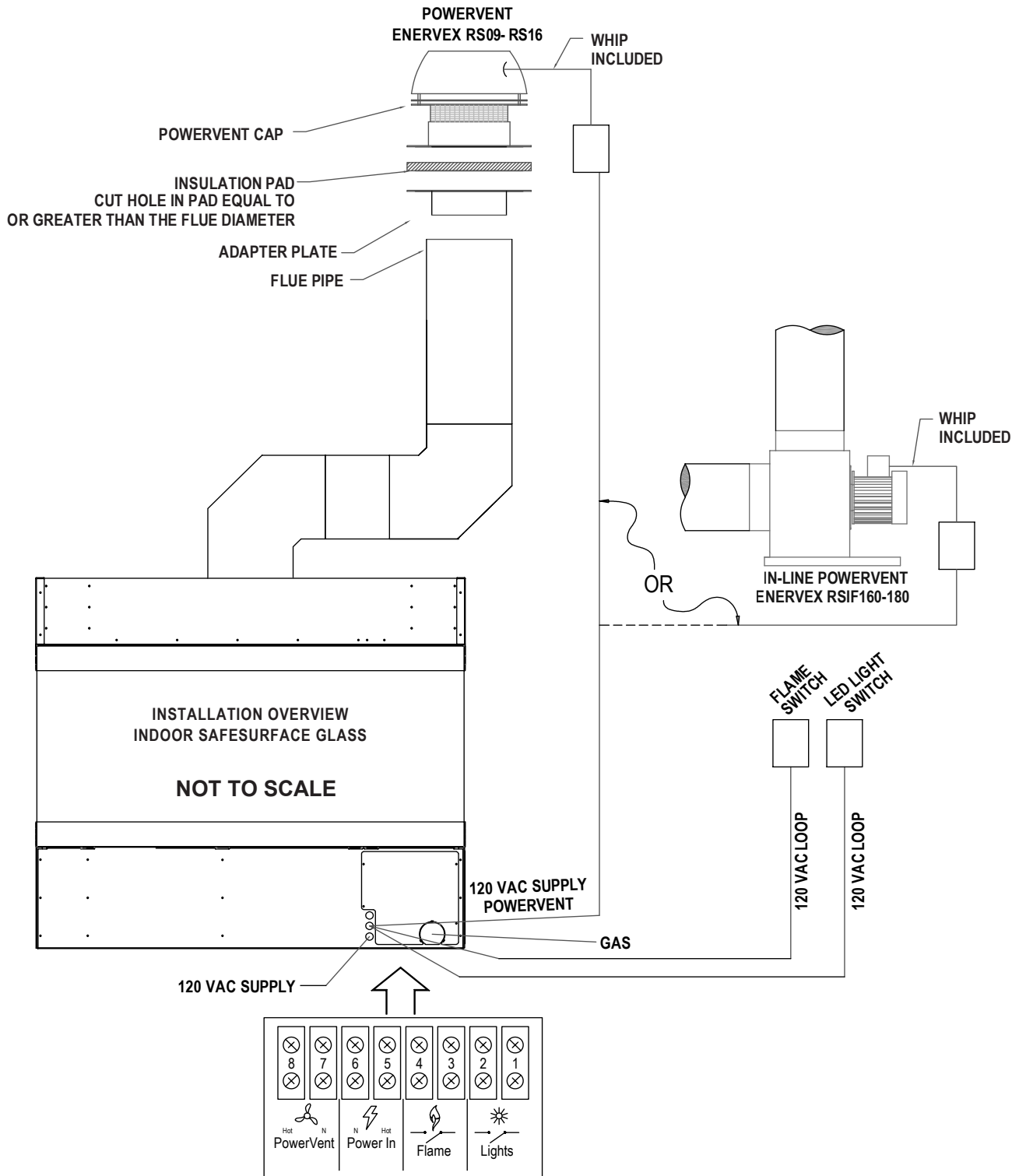


Figure 10A



NOTE FOR THE ELECTRICIAN: FIELD WIRING SHOULD BE LABELED FOR EASY IDENTIFICATION.

10 - ELECTRIC

B.1. ELECTRICAL WIRING SCHEMATIC - TROUBLESHOOTING



NOTE: The appliance, when installed, must be electrically grounded in accordance with local codes or, in the absence of local codes, with the *National Electrical Code, ANSI/NFPA 70, or the Canadian Electrical Code, Part 1, CSA C22.1.*

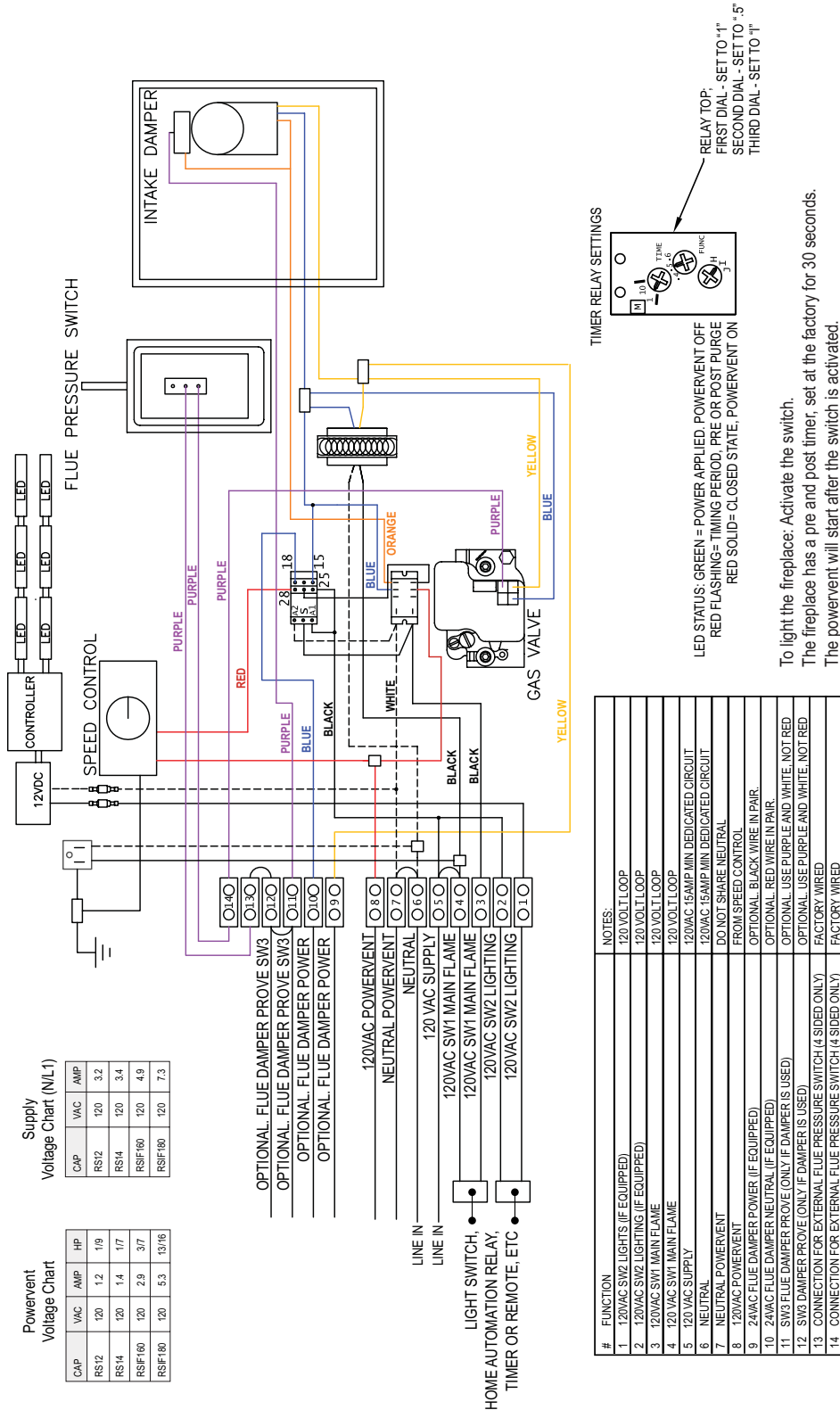


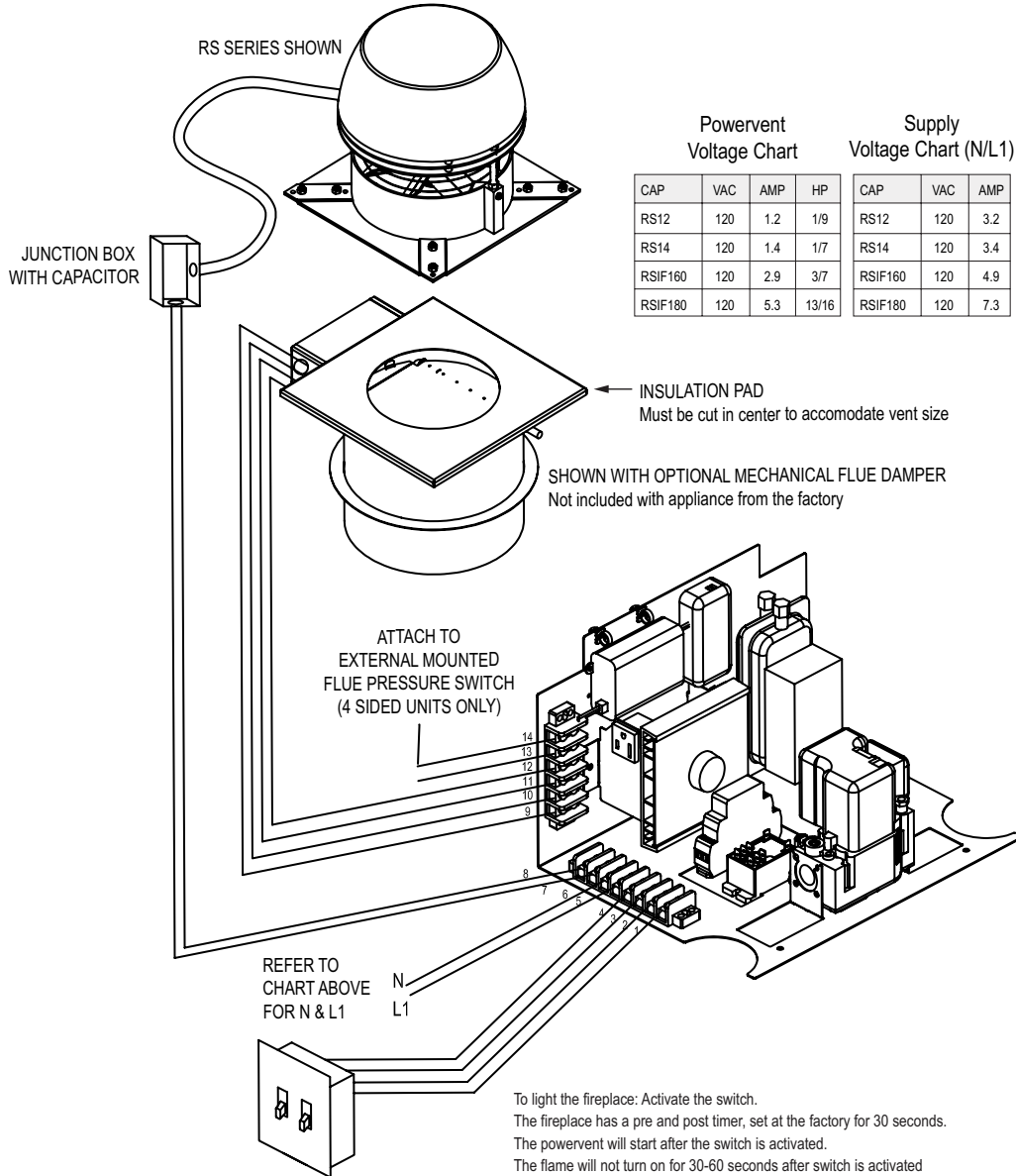
Figure 10 B.1

SYSTEM FB1B111SYS

10 - ELECTRIC

B.2 ELECTRICAL WIRING SCHEMATIC - FIELD

WIRE THE FIREPLACE TO A 15 AMP MIN DEDICATED CIRCUIT. SEE TERMINALS #5 & #6.



Powervent Voltage Chart

CAP	VAC	AMP	HP
RS12	120	1.2	1/9
RS14	120	1.4	1/7
RSIF160	120	2.9	3/7
RSIF180	120	5.3	13/16

Supply Voltage Chart (N/L1)

CAP	VAC	AMP
RS12	120	3.2
RS14	120	3.4
RSIF160	120	4.9
RSIF180	120	7.3

#	FUNCTION	NOTES:
1	120 VAC SW2 LIGHTS (IF EQUIPPED)	120 VOLT LOOP
2	120VAC SW2 LIGHTS (IF EQUIPPED)	120 VOLT LOOP
3	120VAC SW1 MAIN FLAME	120 VOLT LOOP
4	120 VAC SW1 MAIN FLAME	120 VOLT LOOP
5	120 VAC SUPPLY	CONNECT TO CONSTANT POWER SOURCE
6	NEUTRAL	CONNECT TO CONSTANT POWER SOURCE
7	NEUTRAL POWERVENT	DO NOT SHARE NEUTRAL
8	120VAC POWERVENT	FROM SPEED CONTROL
9	24VAC FLUE DAMPER POWER	OPTIONAL
10	24VAC FLUE DAMPER NEUTRAL	OPTIONAL
11	SW3 FLUE DAMPER PROVE	OPTIONAL. USE PURPLE AND WHITE, NOT RED
12	SW3 DAMPER PROVE	OPTIONAL. USE PURPLE AND WHITE, NOT RED
13	CONNECTION FOR EXTERNAL FLUE PRESSURE SWITCH (4 SIDED ONLY)	FACTORY WIRED
14	CONNECTION FOR EXTERNAL FLUE PRESSURE SWITCH (4 SIDED ONLY)	FACTORY WIRED

SYSTEM A - LIGHTS

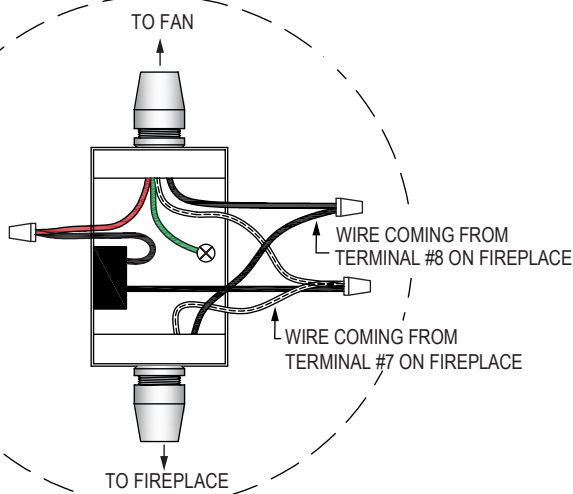
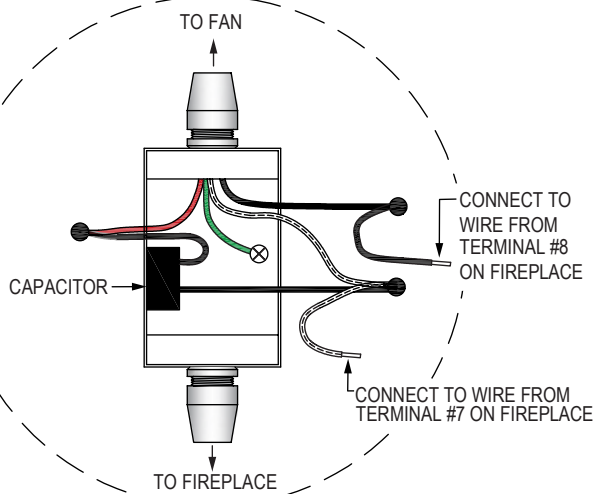
Figure 10B.2

10 - ELECTRIC

B.3 JUNCTION BOX & CAPACITOR

**DO NOT DISCARD
JUNCTION BOX - CAPACITOR INSIDE**

JUNCTION BOX PRE-WIRED FROM STELLAR



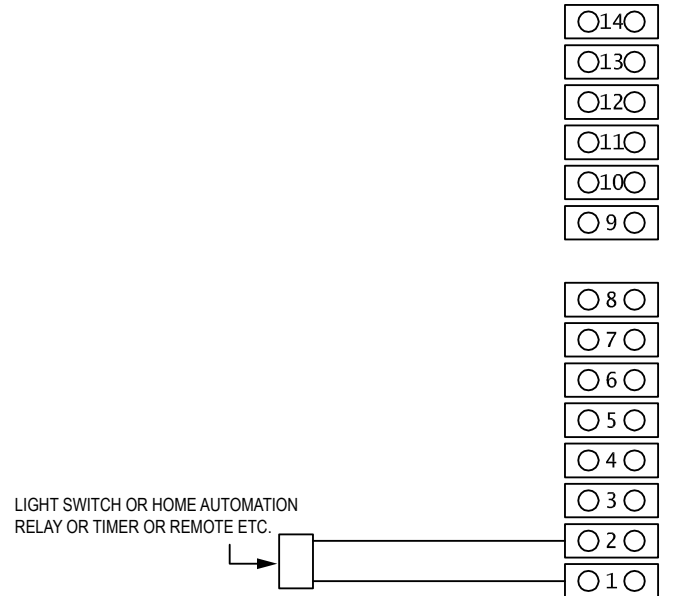
JUNCTION BOX WIRING FROM ENERVEX

Figure 10B.3 ←

C.1 TERMINALS 1 & 2 - LED LIGHTING

TERMINAL 1 & 2: LED LIGHTING

TERMINAL #2	HAS 120VAC POWER TO SUPPLY A SWITCH, RELAY, TIMER, REMOTE, ETC.
TERMINAL #1	RETURNS 120VAC POWER TO ACTIVATE THE LED DRIVER.



→ Figure 10C.1

**NOTE FOR THE ELECTRICIAN:
FIELD WIRING SHOULD BE LABELED
FOR EASY IDENTIFICATION.**

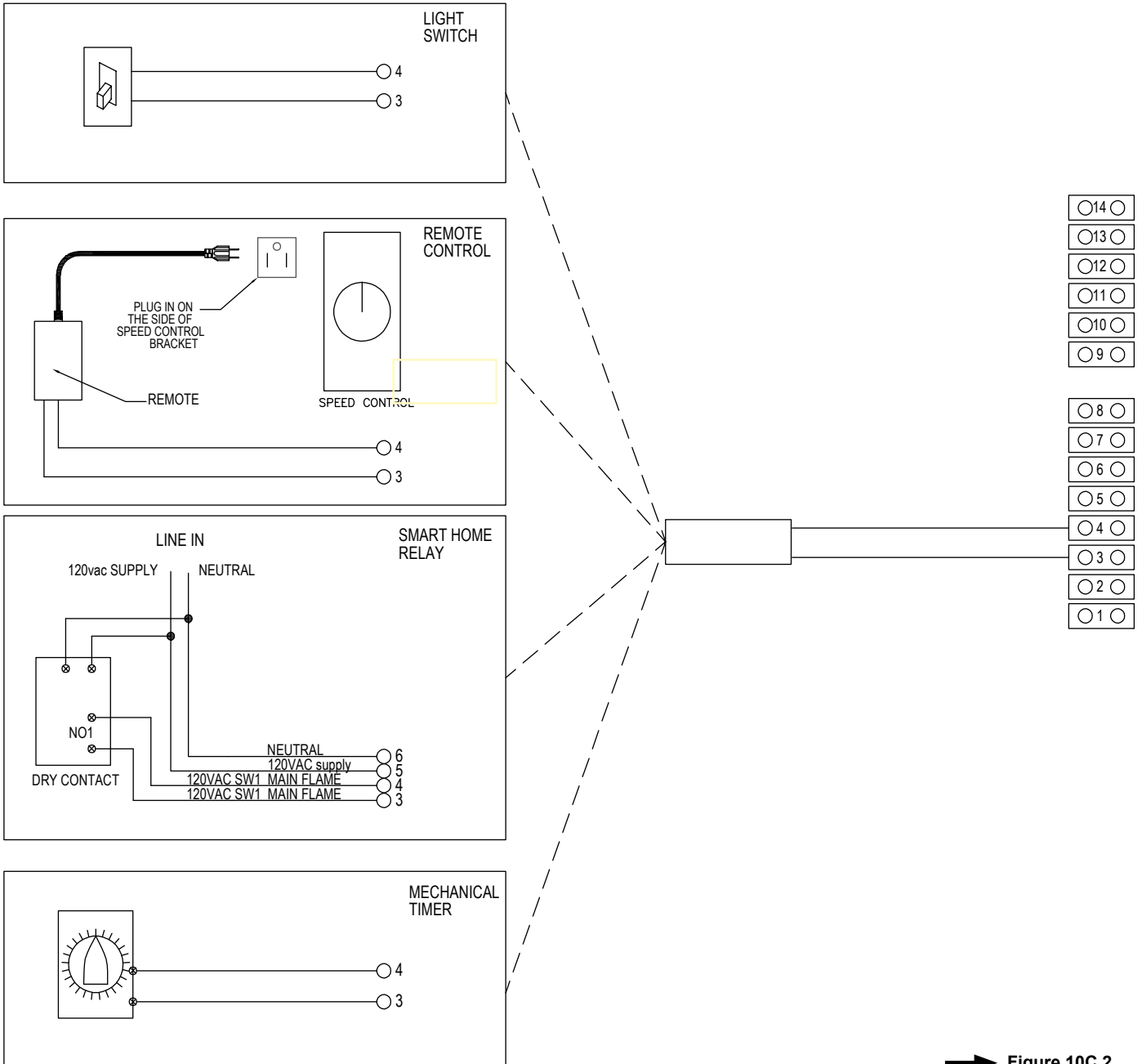
10 - ELECTRIC

C.2 TERMINALS 3 & 4 - MAIN FLAME

TERMINAL 3 & 4 : MAIN FLAME

TERMINAL #4	TERMINAL #4 HAS 120VAC POWER TO SUPPLY A SWITCH, RELAY, TIMER,
TERMINAL #3	REMOTE, ETC. TERMINAL #3 RETURNS 120VAC POWER TO ACTIVATE TO MAIN FLAMES.

IF USING STANDARD ROMEX, CONNECT BLACK TO TERMINAL #4 AND WHITE TO TERMINAL #3.
SINCE 120 VOLTS WILL TRAVEL ON WHITE, MARK THE WHITE WIRE ACCORDING TO CODE.



➔ Figure 10C.2

SMART HOME RELAY NOTE: Generic diagram, follow specific relay manufactures instructions.

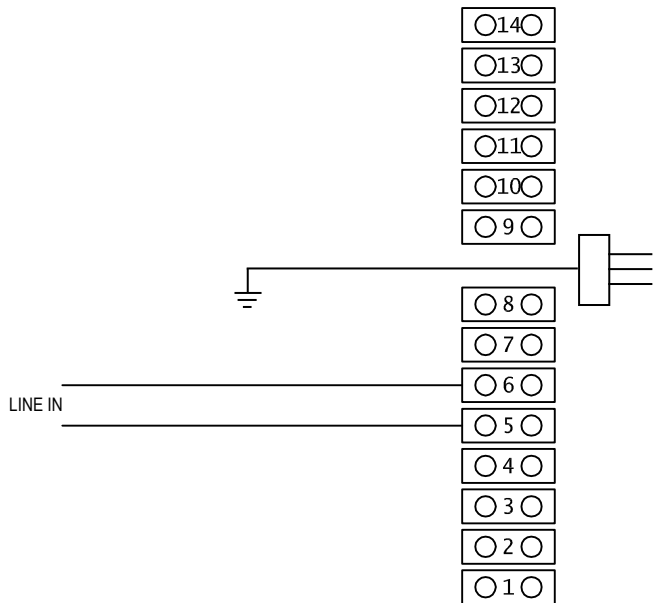
10 - ELECTRIC

C.3 - TERMINALS 5 & 6 FIREPLACE POWER

TERMINAL 5 & 6: FIREPLACE POWER

GROUND - LOCATE THE GREEN WIRE CLUSTER
CONNECT THE GREEN WIRE TAIL TO BUILDING GROUND

TERMINAL #5	IS THE 120VAC POWER SUPPLY FOR THE FIREPLACE. THIS IS A CONSTANT POWER SUPPLY AND SHOULD NOT BE SWITCHED. A SERVICE DISCONNECT MAY BE DESIRED.
TERMINAL #6	IS THE NEUTRAL CONNECTION



→ Figure 10C.3

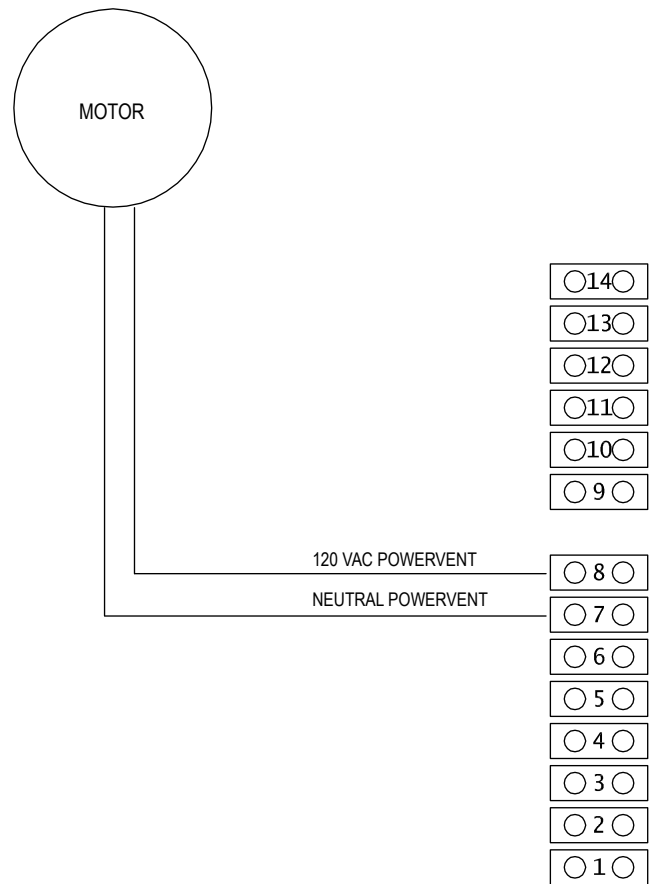
**WIRE THE FIREPLACE TO A 15 AMP MIN
DEDICATED CIRCUIT.**

C. 4 - TERMINALS 7 & 8 POWERVENT MOTOR

TERMINAL 7 & 8: POWERVENT CONNECTION

POWERVENT POWER MUST COME FROM THE TERMINAL BLOCK AND
NOT ANY OTHER POWER SOURCE.

TERMINAL #8	IS THE HOT CONNECTION FOR THE POWERVENT MOTOR FROM THE SPEED CONTROL.
TERMINAL #7	IS THE NEUTRAL CONNECTION FOR THE POWERVENT MOTOR.



→ Figure 10C.4

10 - ELECTRIC

C.5 - TERMINALS 9 & 10 FLUE DAMPER CONNECTION

TERMINALS 9 & 10: FLUE DAMPER CONNECTION

THIS IS LOW VOLTAGE AND EXTERNAL POWER MUST NOT BE APPLIED

TERMINAL #9	IS THE NEUTRAL CONNECTION FOR THE DAMPER MOTOR. BLACK WIRE.
TERMINAL #10	IS THE HOT CONNECTION FOR THE DAMPER MOTOR. RED WIRE.

NOTE: THIS IS OPTIONAL.
IF A DAMPER IS NOT USED DO NOT CONNECT ANYTHING TO TERMINALS 9 & 10.

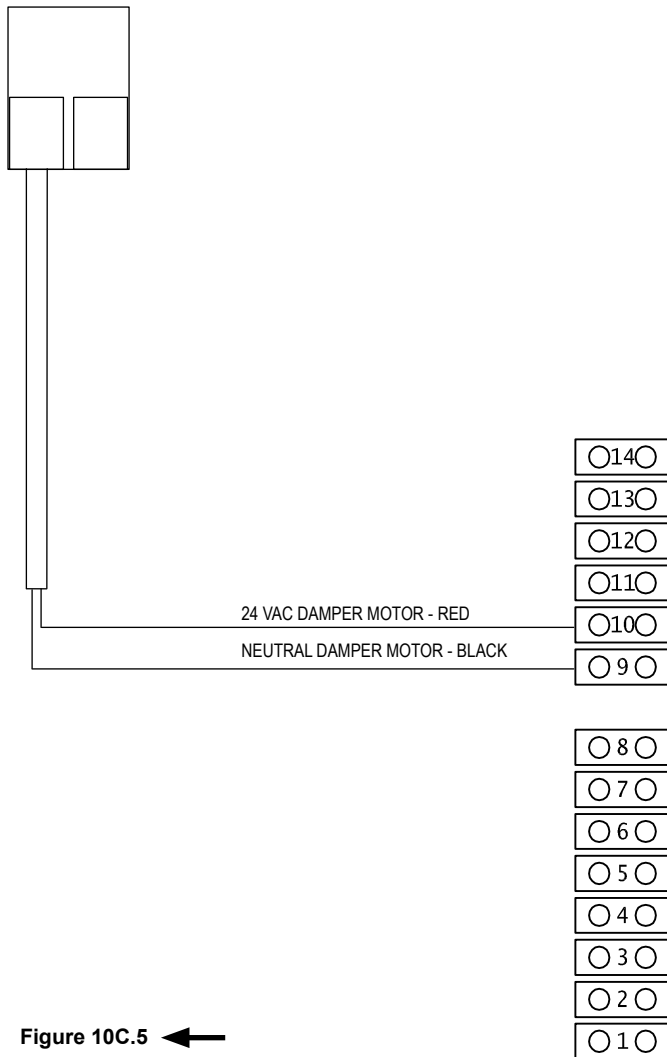


Figure 10C.5 ←

C.6 - TERMINALS 11 & 12 FLUE DAMPER PROVE

TERMINALS 11 & 12: FLUE DAMPER PROVE

THIS IS LOW VOLTAGE AND EXTERNAL POWER MUST NOT BE APPLIED

TERMINAL #11	CONNECTS TO THE WHITE WIRE FROM THE TRIPLE WIRE LEAD ON THE DAMPER MOTOR.
TERMINAL #12	CONNECTS TO THE PURPLE WIRE FROM THE TRIPLE WIRE LEAD ON THE DAMPER MOTOR.

NOTE: THIS IS OPTIONAL.
IF A DAMPER IS NOT USED TERMINALS 11 & 12 HAVE A JUMPER ACROSS THEM

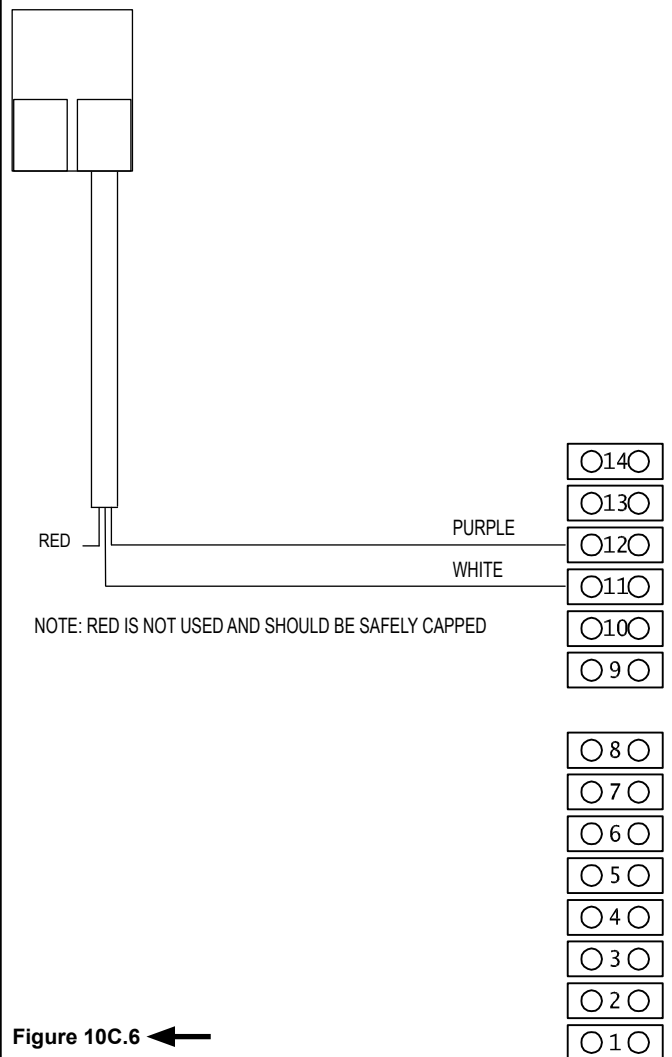


Figure 10C.6 ←

→ Low Voltage Wire Gauge - Max Length

Feet [Meters]

Transformer Output	12 awg	14 awg	16 awg	18 awg
40VA(W)	453 [138]	285 [86.9]	179 [54.56]	113 [34.4]

Use a minimum of 18 awg wire

10 - ELECTRIC

For Standard Electric Installation Refer To Section 10 (A.1 - C.6)

D. TETHERED CONTROL PANEL INSTALLATION OVERVIEW

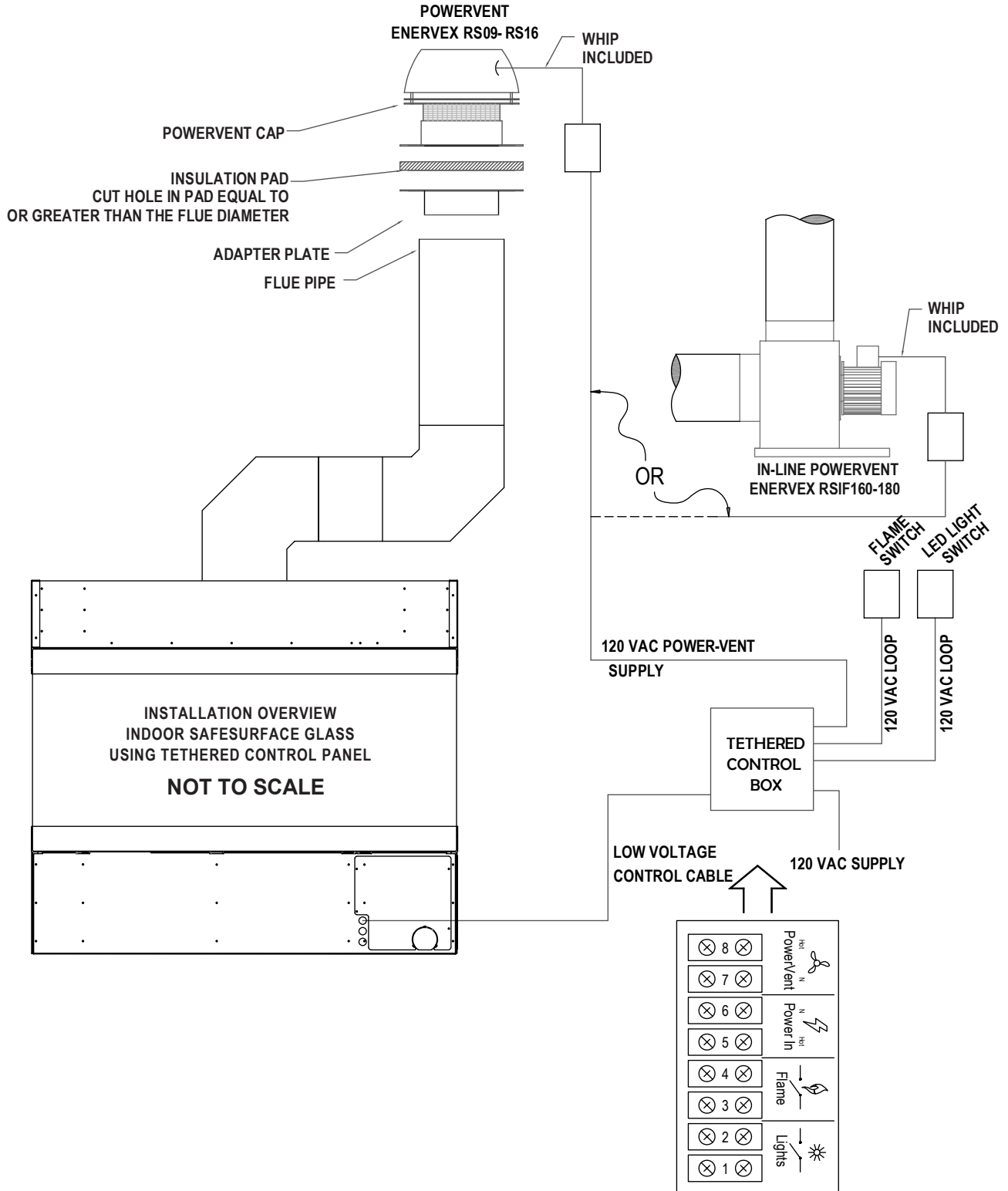


Figure 10 D ←

10 - ELECTRIC

E.1 ELECTRICAL WIRING SCHEMATIC - FIELD WIRING

WIRE THE FIREPLACE TO A 15 AMP MIN DEDICATED CIRCUIT. SEE TERMINALS #5 & #6.

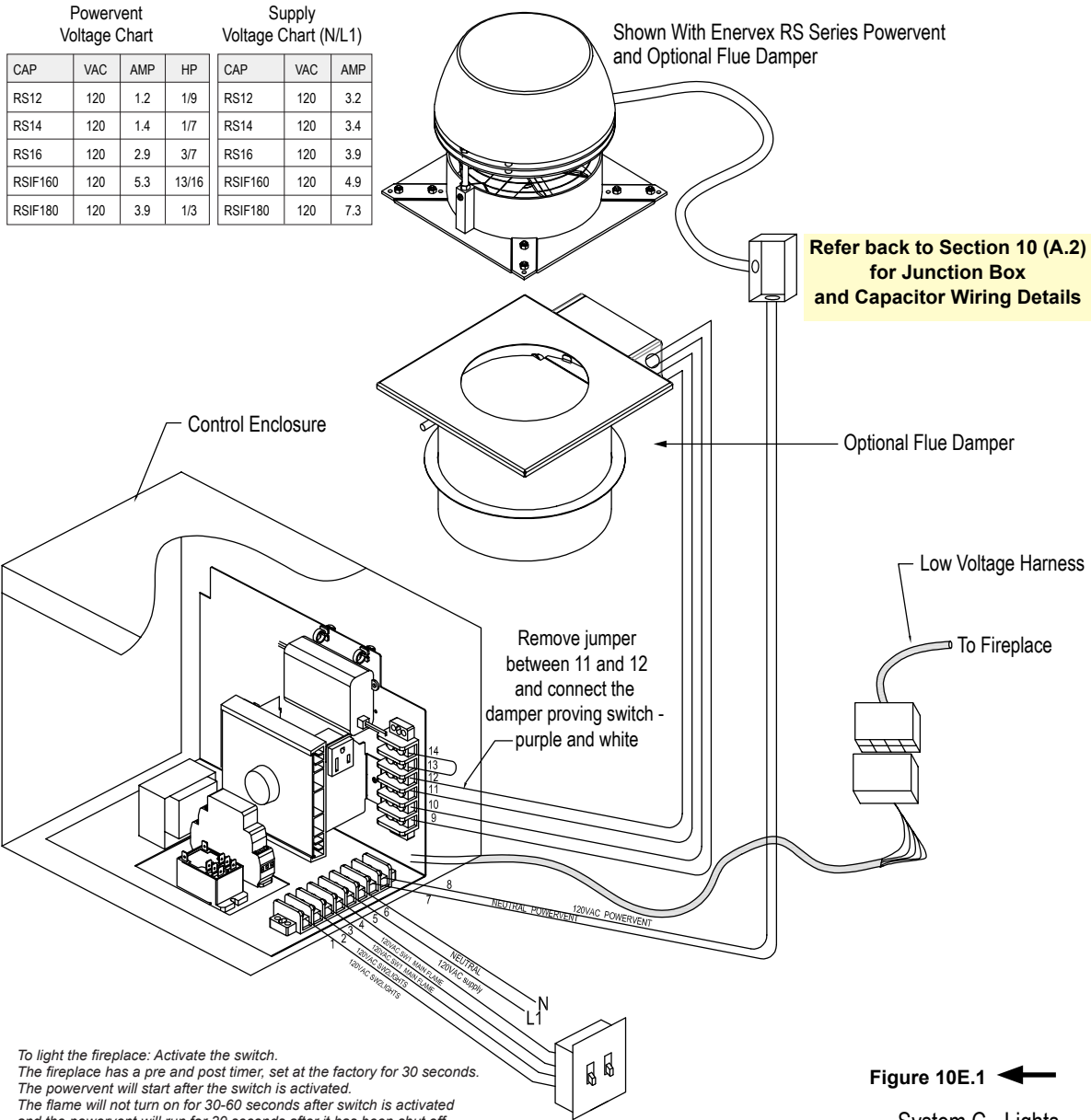


Figure 10E.1 ←
System C - Lights

#	FUNCTION	NOTES:
1	120 VAC SW2 LIGHTING - IF EQUIPPED	120 VOLT LOOP
2	120 VAC SW2 LIGHTING - IF EQUIPPED	120 VOLT LOOP
3	120VAC SW1 MAIN FLAME	120 VOLT LOOP
4	120 VAC SW1 MAIN FLAME	120 VOLT LOOP
5	120 VAC SUPPLY	CONNECT TO CONSTANT POWER SOURCE
6	NEUTRAL	CONNECT TO CONSTANT POWER SOURCE
7	NEUTRAL POWERVENT	DO NOT SHARE NEUTRAL
8	120VAC POWERVENT	FROM SPEED CONTROL
9	24VAC FLUE DAMPER POWER	OPTIONAL
10	24VAC FLUE DAMPER NEUTRAL	OPTIONAL
11	SW3 FLUE DAMPER PROVE	OPTIONAL. USE PURPLE AND WHITE, NOT RED
12	SW3 DAMPER PROVE	OPTIONAL. USE PURPLE AND WHITE, NOT RED
13	CONNECTION FOR EXTERNAL FLUE PRESSURE SWITCH (4 SIDED ONLY)	FACTORY WIRED
14	CONNECTION FOR EXTERNAL FLUE PRESSURE SWITCH (4 SIDED ONLY)	FACTORY WIRED

10 - ELECTRIC

E.2 ELECTRICAL WIRING SCHEMATIC - TROUBLESHOOTING

SYSTEM: TB1B111SYS

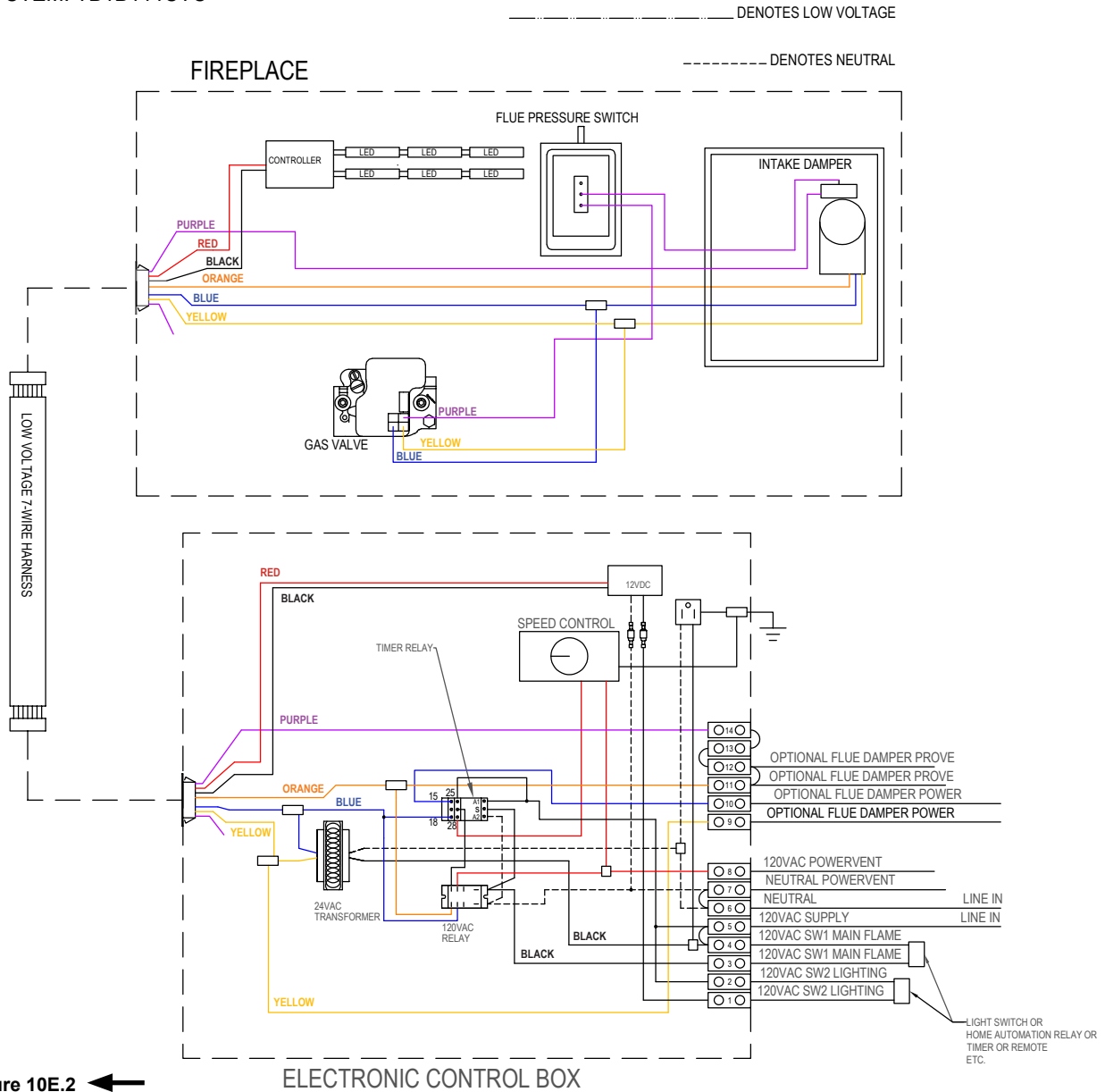
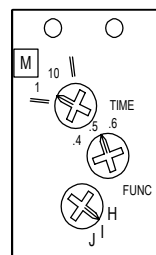


Figure 10E.2

#	FUNCTION	NOTES
1	SW2 LIGHTS (IF EQUIPPED) 120VAC LOOP	120 VOLT LOOP
2	SW2 LIGHTS (IF EQUIPPED) 120VAC LOOP	120 VOLT LOOP
3	SW1 MAIN FLAME- 120VAC LOOP	120 VOLT LOOP
4	SW1 MAIN FLAME- 120VAC LOOP	120 VOLT LOOP
5	120VAC SUPPLY	120vac 15amp MIN DEDICATED CIRCUIT
6	NEUTRAL	120vac 15amp MIN DEDICATED CIRCUIT
7	NEUTRAL TO POWERVENT	
8	120VAC TO POWERVENT	
9	24VAC FLUE DAMPER POWER (IF EQUIPPED)	BLACK WIRE IN PAIR
10	24VAC FLUE DAMPER NEUTRAL (IF EQUIPPED)	RED WIRE IN PAIR
11	SW3 FLUE DAMPER PROVE (ONLY IF DAMPER IS USED)	USE PURPLE AND WHITE, NOT RED
12	SW3 FLUE DAMPER PROVE (ONLY IF DAMPER IS USED)	USE PURPLE AND WHITE, NOT RED
13	FLUE PRESSURE SWITCH	FACTORY
14	FLUE PRESSURE SWITCH	FACTORY



RELAY TOP;
 FIRST DIAL-SET TO "1"
 SECOND DIAL-SET TO "5"
 THIRD DIAL- SET TO "I"

LED STATUS: GREEN =POWER APPLIED, POWERVENT OFF
 RED FLASHING= TIMING PERIOD, PRE OR POST PURGE
 RED SOLID= CLOSED STATE, POWERVENT ON

REFER BACK TO STANDARD ELECTRIC TERMINAL SCHEMATICS IN SECTION 10 (C.1-C.6).

11 - FINISHING

A.1 FINISHING THE WALL - USING THE PROVIDED 1/2" STANDOFFS



NOTE: REFER TO DIMENSIONS SECTION FOR ALLOWABLE FINISHING DIMENSIONS REQUIRED TO FIT THE GLASS PANELS INTO THE FIREPLACE. FINISHING MATERIALS MUST NOT OVERLAP THE DIMENSIONS HIGHLIGHTED IN GREEN ON PAGE 5. NEVER COVER THE GLASS WITH FINISHING MATERIALS.

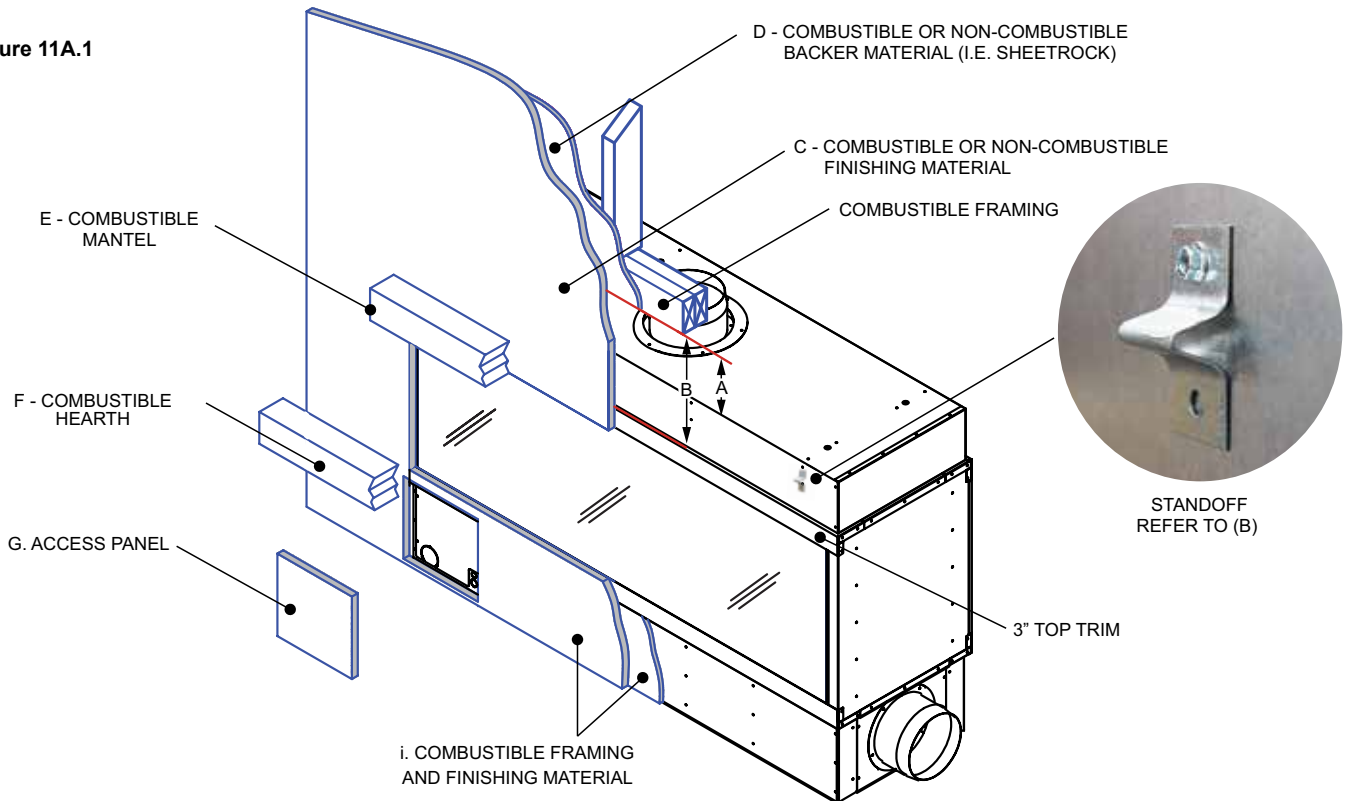


NOTE: DO NOT PIERCE ANY OF THE BLACK PAINTED SURFACES WITH SCREWS, RIVETS, ETC. THIS INCLUDES THE 3" [76mm] BLACK TOP AND BOTTOM GLASS TRIM AND ANY PAINTED SIDES ADJACENT TO THE GLASS.



NOTE: REFER TO MANTEL REQUIREMENTS: NON-COMBUSTIBLE ZONE USING PROVIDED 1/2" [13mm] STANDOFFS FOR MORE INFORMATION.

Figure 11A.1



inches [mm]

A. No combustible materials may be within 6 [152] of the top of the fireplace.

B. 1/2 [13] CLEARANCE TO COMBUSTIBLES ON SURFACE.

The fireplace ships with hood standoffs in place to ensure a 1/2 [13] clearance to combustibles is maintained on the surface. See Figure 10A.1. If the standoffs are removed, only non-combustible material can be installed against the surface of the fireplace such as a non-combustible backer cement board. 1/2 [13] minimum thickness must be used in the space* between the top of the 3 [76] trim to the combustible framing the full width of the fireplace. The space* includes a 7 [178] minimum above the top of the fireplace that is recommended for ease of attachment.

*= 15 [381] for 3'-7' units and 19 [483] for 8' units. See Figure 10A.2

C. Combustible material may cover the non-combustible area mentioned in B.

D. Combustible finishing materials allowed.

E. Combustible mantel may be placed above the top of the glass viewing area. There are no restrictions on mantel depth.

F. Combustible hearth may be placed below the bottom of the glass viewing area.

G. Flat covers will cover the components access. Gas and electric inlets are located behind this panel. There are four access panel options all located on the pilot side of the fireplace; front (shown above), side, back and inside behind the glass.

Please take consideration of which option will be used to access the components for service later during planning.

I. Combustible framing and finishing materials allowed.

11 - FINISHING

A.2 FINISHING THE WALL - **NOT** USING THE PROVIDED 1/2" STANDOFFS



NOTE: REFER TO DIMENSIONS SECTION FOR ALLOWABLE FINISHING DIMENSIONS REQUIRED TO FIT THE GLASS PANELS INTO THE FIREPLACE. FINISHING MATERIALS MUST NOT OVERLAP THE DIMENSIONS HIGHLIGHTED IN GREEN ON PAGE 5. NEVER COVER THE GLASS WITH FINISHING MATERIALS.

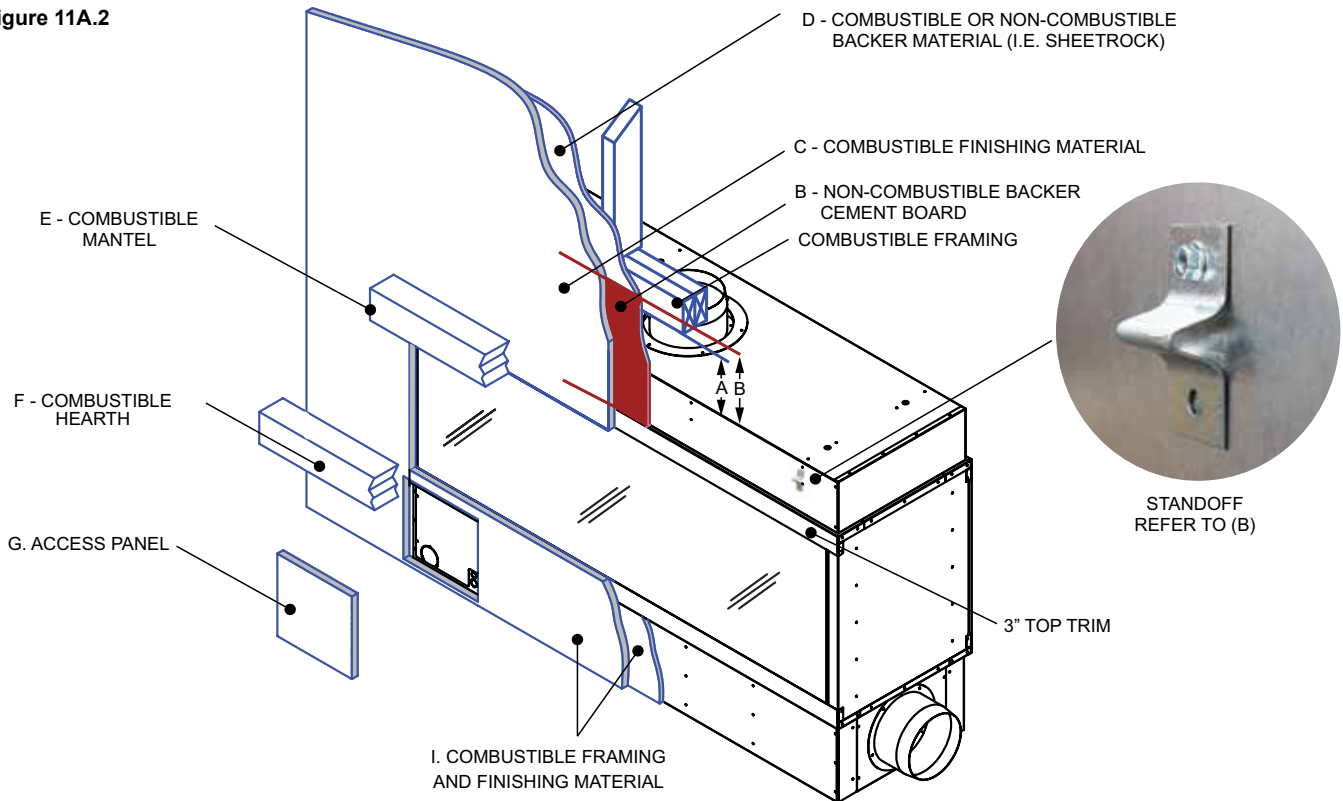


NOTE: **DO NOT** PIERCE ANY OF THE BLACK PAINTED SURFACES WITH SCREWS, RIVETS, ETC. THIS INCLUDES THE 3" [76mm] BLACK TOP AND BOTTOM GLASS TRIM AND ANY PAINTED SIDES ADJACENT TO THE GLASS.



NOTE: REFER TO MANTEL REQUIREMENTS: **NON-COMBUSTIBLE ZONE USING PROVIDED 1/2" [13mm] STANDOFFS FOR MORE INFORMATION.**

Figure 11A.2



inches [mm]

A. No combustible materials may be within 6 [152] of the top of the fireplace.

B. 1/2 [13] CLEARANCE TO COMBUSTIBLES ON SURFACE.

The fireplace ships with hood standoffs in place to ensure a 1/2 [13] clearance to combustibles is maintained on the surface. See Figure 10A.1.

If the standoffs are removed, only non-combustible material can be installed against the surface of the fireplace such as a non-combustible backer cement board. 1/2 [13] minimum thickness must be used in the space* between the top of the 3 [76] trim to the combustible framing the full width of the fireplace. The space* includes a 7 [178] minimum above the top of the fireplace that is recommended for ease of attachment. * = 15 [381] for 3'-7" units and 19 [483] for 8' units. See Figure 10A.2

C. Combustible material may cover the non-combustible area mentioned in B.

D. Combustible finishing materials allowed.

E. Combustible mantel may be placed above the top of the glass viewing area. There are no restrictions on mantel depth.

F. Combustible hearth may be placed below the bottom of the glass viewing area.

G. Flat covers will cover the components access. Gas and electric inlets are located behind this panel. There are four access panel options all located on the pilot side of the fireplace; front (shown above), side, back and inside behind the glass.

Please take consideration of which option will be used to access the components for service later during planning.

I. Combustible framing and finishing materials allowed.

12 - LIGHTING & SHUTDOWN

FOR YOUR SAFETY - READ BEFORE LIGHTING



STOP: IF YOU DO NOT FOLLOW THESE INSTRUCTIONS EXACTLY, A FIRE OR EXPLOSION MAY RESULT, CAUSING PROPERTY DAMAGE, PERSONAL INJURY OR LOSS OF LIFE.

DUE TO HIGH SURFACE TEMPERATURES, KEEP CHILDREN, CLOTHING AND FURNITURE AWAY.

This appliance needs fresh air for safe operation and must be installed so there are provisions for adequate combustion and ventilation air. It is important to make sure the termination cap remains unobstructed at all times from snow, ice, leaves or other debris.

- This fireplace is equipped with an ignition device which automatically lights the pilot and main burner. The pilot and burner light automatically with the wall switch. **DO NOT** try to light the pilot by hand. Before lighting this fireplace, follow these instructions exactly.
- **BEFORE LIGHTING**, smell all around the appliance for gas. Be sure to smell next to the floor because some gas is heavier than air and will settle on the floor.
- Do not use this appliance if any part has been under water. Immediately call a qualified service technician to inspect the appliance and to replace any part of the control system which has been under water.

WHAT TO DO IF YOU SMELL GAS:

- Do not touch any electrical switches
- Do not try to light any appliance
- Do not use the phone in your building
- Immediately call your gas supplier from a neighbor's phone
- Follow the gas supplier's instructions
- If you cannot reach your gas supplier, call the fire department

DO NOT STORE OR USE GASOLINE OR OTHER FLAMMABLE VAPORS AND LIQUIDS IN THE VICINITY OF THIS OR ANY OTHER APPLIANCE



NOTE: A PAINT SMELL WILL OCCUR DURING THE FIRST FEW HOURS OF BURNING.



NOTE: THIS FIREPLACE MAY PRODUCE NOISES OF VARYING DEGREE AS IT HEATS AND COOLS DUE TO METAL EXPANSION AND CONTRACTION. THIS IS NORMAL AND DOES NOT AFFECT THE PERFORMANCE OR LONGEVITY OF THE FIREPLACE.

A. LIGHTING THE FIREPLACE

To light the fireplace:

Activate the switch.

The fireplace has a pre and post timer, set at the factory for 30 seconds.

The powervent will start after the switch is activated.

The flame will not turn on for 30-60 seconds after switch is activated.

The powervent will run for 30 seconds after the fireplace has been shut off.

12 - LIGHTING & SHUTDOWN



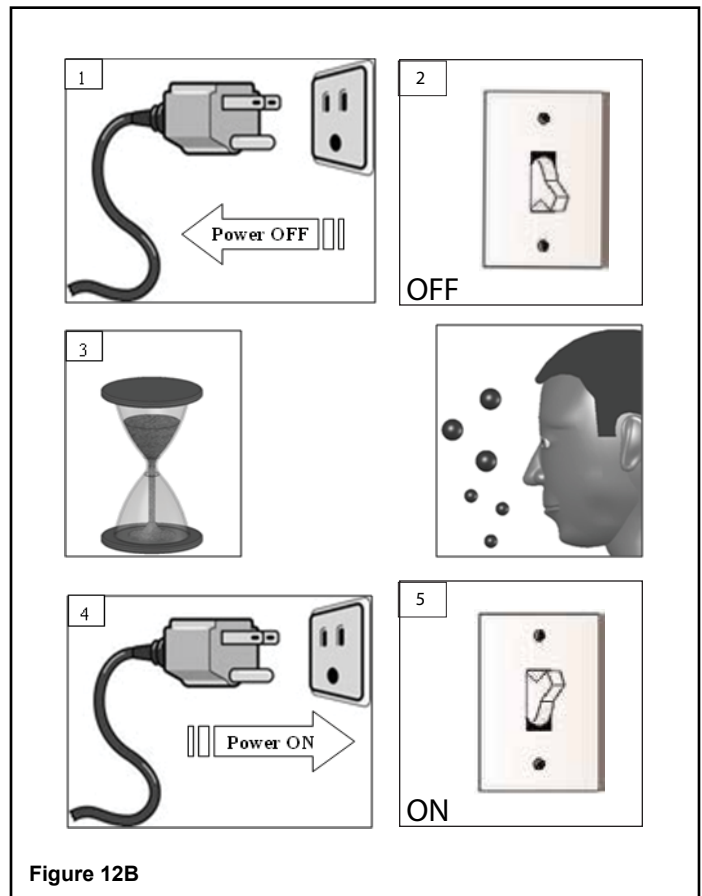
STOP! Read safety information on previous page and front cover of this manual before continuing.



NOTE: This fireplace is equipped with an ignition device which automatically lights the pilot. **DO NOT** try to light the pilot by hand.

B. IF THE FIREPLACE DOES NOT LIGHT

1. Turn off the fireplace at switch.
2. Turn off all electrical power to fireplace.
3. Wait five (5) minutes to allow any gas that may have accumulated inside firebox to escape. If you then smell gas, **STOP!** Follow safety information on front cover and on previous page of the installation manual. If you don't smell gas, go to next step.
4. Turn **ON** all electrical power to fireplace.
5. Turn fireplace on at switch.



CAUTION: If fireplace will not operate, follow instructions **TURNING OFF GAS TO FIREPLACE** and call your service technician or the gas supplier.



NOTE: When fireplace is initially lit, condensation may appear on the glass; this is normal in all gas fireplaces and will disappear after several minutes.

13 - PRESSURE TESTING



NOTE: The appliance and its individual shutoff valve must be disconnected from the gas supply piping system during any pressure testing of that system at pressures in excess of ½ psi.



NOTE: The appliance must be isolated from the gas supply piping system by closing its individual manual shut-off valve during any pressure testing of the gas line at test pressures equal to or less than ½ psi (3.5 kPa).

INLET PRESSURE TEST

1. The valve has an Allen-plug on the inlet and outlet.
2. Install a barb fitting on the tap you want to measure.
3. Light the fireplace, check the pressure.
4. Turn off fireplace; reinstall plug.
5. Check for leaks.



CAUTION: A LOW PRESSURE READING CAN CAUSE DELAYED IGNITION



NOTE: If inlet pressure reading is too high or too low, contact the gas company. Only a qualified gas service technician should adjust incoming gas pressure.

14 - FINALIZING THE INSTALLATION

A. INSTALLING THE MEDIA

Figure 14A

Place the supplied glass media into the base tray.
Cover the base evenly. Do not use more than the supplied amount.

Do not get any glass media into the pilot area; a hazardous condition could result!

You should be able to see the top line of the burner through the media.

**DO NOT COVER THE BURNERS;
POOR FLAME APPEARANCE WILL RESULT.**

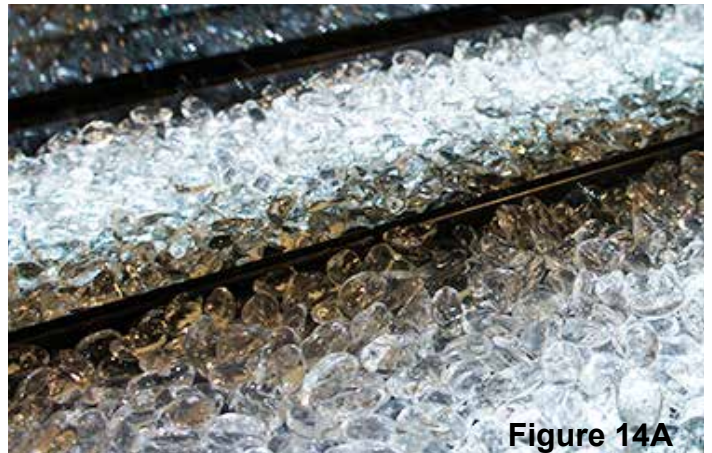


Figure 14A

NOTE: DO NOT SUBSTITUTE THE SUPPLIED MEDIA WITH ANY OTHER KIND OF MEDIA WITHOUT WRITTEN APPROVAL OF Stellar by Heat&Glo.

B. FLAME APPEARANCE

Flame appearance is affected by several factors including altitude, venting configuration and fuel quality. Although the venturi setting has been factory set, adjustments may be necessary for optimal performance and visual aesthetics.

When fireplace is first lit, the flames will be blue. Flames will gradually turn yellowish-orange during first 15 minutes of operation. If flames remain blue, or become dark orange with evidence of sooting (black tips), the burner tube venturi may need adjustment. Contact Stellar Hearth.

15 - MAINTENANCE

The appliance is required to be inspected at least once a year by a professional service person. The compartment below firebox (behind lower access panel) must be cleaned at least once a year, more frequent cleaning may be required due to excessive lint from carpeting, bedding materials, or other fibrous materials. It is imperative that the burner be cleaned once a year.

VALVE AND ELECTRICAL ACCESS

There is an access panel under the floor of the firebox should more extensive service be needed. Remove the inner and outer glass panels. Remove the glass media on the end with the pilot. The end floor lifts out; remove the screws and lift it out. If the LED's are mounted on a "U" shaped steel bracket, loosen the bracket and flip the LED's over the burner. There is a panel covering the valve area. Remove the screws and lift the panel up and out to expose the valve area.



NOTE: INSTALLATION AND REPAIR SHOULD BE DONE ONLY BY QUALIFIED SERVICE PERSON. THE APPLIANCE SHOULD BE INSPECTED BEFORE USE AND ANNUALLY BY A QUALIFIED SERVICE PERSON. MORE FREQUENT CLEANING MAY BE REQUIRED DUE TO EXCESSIVE LINT FROM CARPETING, BEDDING MATERIALS, ETC. IT IS IMPERATIVE THAT CONTROL COMPARTMENTS, BURNERS AND CIRCULATION AIR PASSAGEWAYS OF THE APPLIANCE BE KEPT CLEAN.

A. VENT SYSTEM

- Annual examination of venting system by a qualified agency is required.
- IF VENT-AIR INTAKE SYSTEM IS DISASSEMBLED FOR ANY REASON, RE-INSTALL PER INSTRUCTIONS PROVIDED WITH INITIAL INSTALLATION.
- The flow of combustion air must not be obstructed.

B. GLASS CLEANING & REPLACEMENT



WARNING! RISK OF INJURY! DO NOT remove glass until it is cooled to room temperature. Glass breakage could occur. See Section 6 for glass installation and removal instructions.

- Clean glass only when cool and only with non-abrasive cleansers.
- Do not operate this fireplace with glass/frame assembly removed, cracked or broken.
- The glass assembly shall only be replaced as a complete unit.
- Replacement of glass & frame assembly, must only be performed by a licensed or qualified service person.
- **DO NOT SUBSTITUTE MATERIALS.**
- Do not strike or slam glass door assembly.



NOTE: IN CASE OF CHIPPED OR BROKEN GLASS
Due to the size and sensitivity of shipping the glass separately, it is best to have the replacement glass cut locally if needed. Refer to Section 16- Replacement Parts for more information.



CAUTION: LABEL ALL WIRES PRIOR TO DISCONNECTION WHEN SERVICING CONTROLS. WIRING ERRORS CAN CAUSE IMPROPER AND DANGEROUS OPERATION. VERIFY PROPER OPERATION AFTER SERVICING. KEEP APPLIANCE AREA CLEAR OF COMBUSTIBLE MATERIALS, SUCH AS GASOLINE AND OTHER FLAMMABLE VAPORS AND LIQUIDS.

16 - REPLACEMENT PARTS

IMPORTANT: REPLACEMENT PARTS

Parts must be ordered from a dealer or distributor.

Hearth & Home Technologies does not sell directly to consumers.

Provide model number and serial number when requesting service parts from your dealer or distributor.

A. REPLACEMENT PARTS LIST

PART	PART NUMBER
Gas Valve - 3' - 7' Units	SV9501
Gas Valve - 8' Units	SV9601
Pilot Assembly	112-5000
Pilot Tube	16400-2851
Replacement Ignitor	B13M-1D643C
Orifice, NG #43	16400-2043
Orifice, Propane #55	16400-2055
Vacuum Switch	112-5003
Transformer, 24 VAC	112-5002
Timer Relay	112-5014
Solid State Relay	112-5009
Speed Control, 10 AMP	16400-4000

PART	PART NUMBER	QUANTITY
Crystal Rock, 5 lb bag	2188-851	<u>Varies by model size</u>
		3' = 6 bags
		4' = 8 bags
		5' = 9 bags
		6' = 11 bags
		7' = 13 bags
		8' = 15 bags

PART	PART NUMBER
Natural Gas to Propane Gas Conversion Kit - All Sizes	NG2LP
Propane Gas to Natural Gas Conversion Kit - All Sizes	LP2NG

PART	PART NUMBER
Energex Chimney Fan used for 3' - 5' units	RS12
Energex Chimney Fan used for 6' - 8' units	RS14
Energex In-line Chimney Fan used for 3' - 5' units	RSIF160
Energex In-line Chimney Fan used for 6' - 8' units	RSIF180

PART	PART NUMBER
8 Inch Exhaust Collar - 3'-5' Units	16400-1450
10 Inch Intake/Exhaust Collar - 6'-7' Units	16400-1550
12 Inch Intake Collar - 8' Units	16800-1550
LED Controller	16400-1901
LED Remote Control	16400-1901R
LED Transformer, 12VDC	16400-1900
Switch, 15 Amp Toggle	16400-3013
2-Gang Electrical Box	16400-3014
White Nylon 2-Gang Plate	16400-3015
Suction Cup	675-9605
8 Inch Powervent Chimney Collar	117-001
10 Inch Powervent Chimney Collar	117-002

PART	PART NUMBER
Replacement Capacitor - RS12	601.0400.0064
Replacement Capacitor - RS14	604.0400.0064
Replacement Capacitor - RSIF160	604.0600.0064
Replacement Capacitor - RSIF180	604.0800.0064

16 - REPLACEMENT PARTS

B. GLASS SIZE AND SPECIFICATIONS -

NOTE: IN CASE OF CHIPPED OR BROKEN GLASS

Due to the size and sensitivity of shipping the glass separately, it is best to have the replacement glass cut locally if needed using the specifications listed here or have your local dealer assist you with contacting Stellar by Heat&Glo directly for more information.

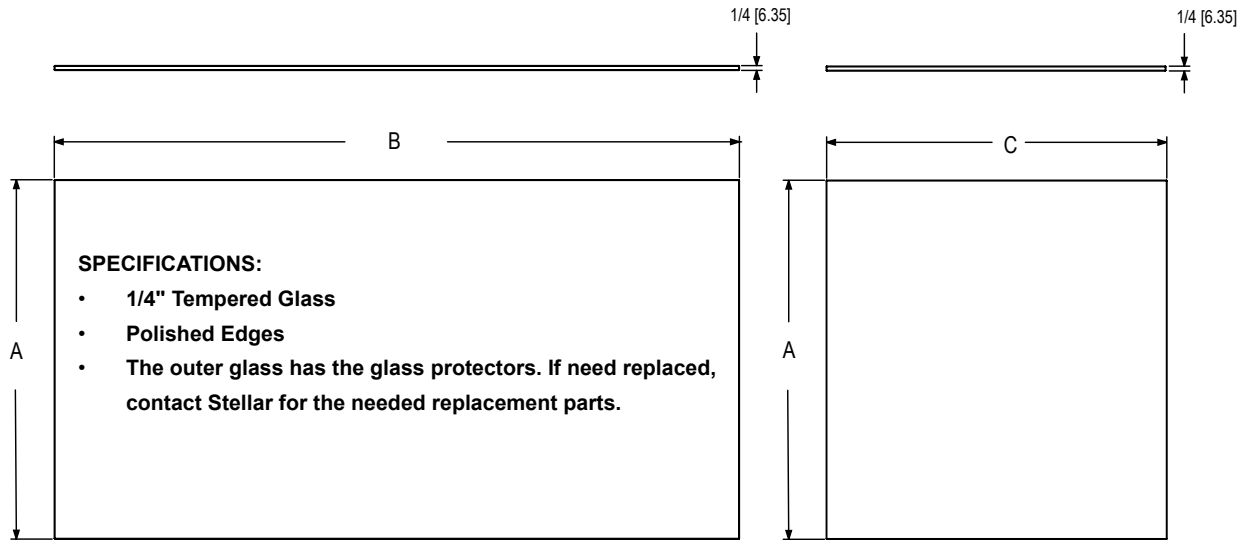


Figure 16B

MODEL	LONG - FRONT PANELS				SHORT - RIGHT END PANELS			
	B.		B.		C.		C.	
	OUTER WIDTH	QTY	INNER WIDTH	QTY	OUTER WIDTH	QTY	INNER WIDTH	QTY
3'	39-1/4 [997]	1	37-1/16 [941]	1	21-7/16 [545]	1	19-1/4 [489]	1
4'	51-1/4 [1,302]	1	49-1/16 [1,246]	1	21-7/16 [545]	1	19-1/4 [489]	1
5'	63-1/4 [1,607]	1	61-1/16 [1,551]	1	21-7/16 [545]	1	19-1/4 [489]	1
6'	75-1/4 [1,911]	1	73-1/16 [1856]	1	21-7/16 [545]	1	19-1/4 [489]	1
7'	87-1/4 [2,216]	1	85-1/6 [2,161]	1	21-7/16 [545]	1	19-1/4 [489]	1
8'	99-1/4 [2,521]	1	97-1/16 [2,465]	1	21-7/16 [545]	1	19-1/4 [489]	1

INNER & OUTER GLASS BOTH	
Model Height	A. HEIGHT
20"	21-5/8 [549]
24"	25-5/8 [651]
30"	31-5/8 [803]
36"	37-5/8 [956]
48"	49-5/8 [1,260]
60"	61-5/8 [1,565]

inches [mm]

→ Figure 16B

16- REPLACEMENT PARTS

C. GLASS TRIM PIECES IDENTIFICATION

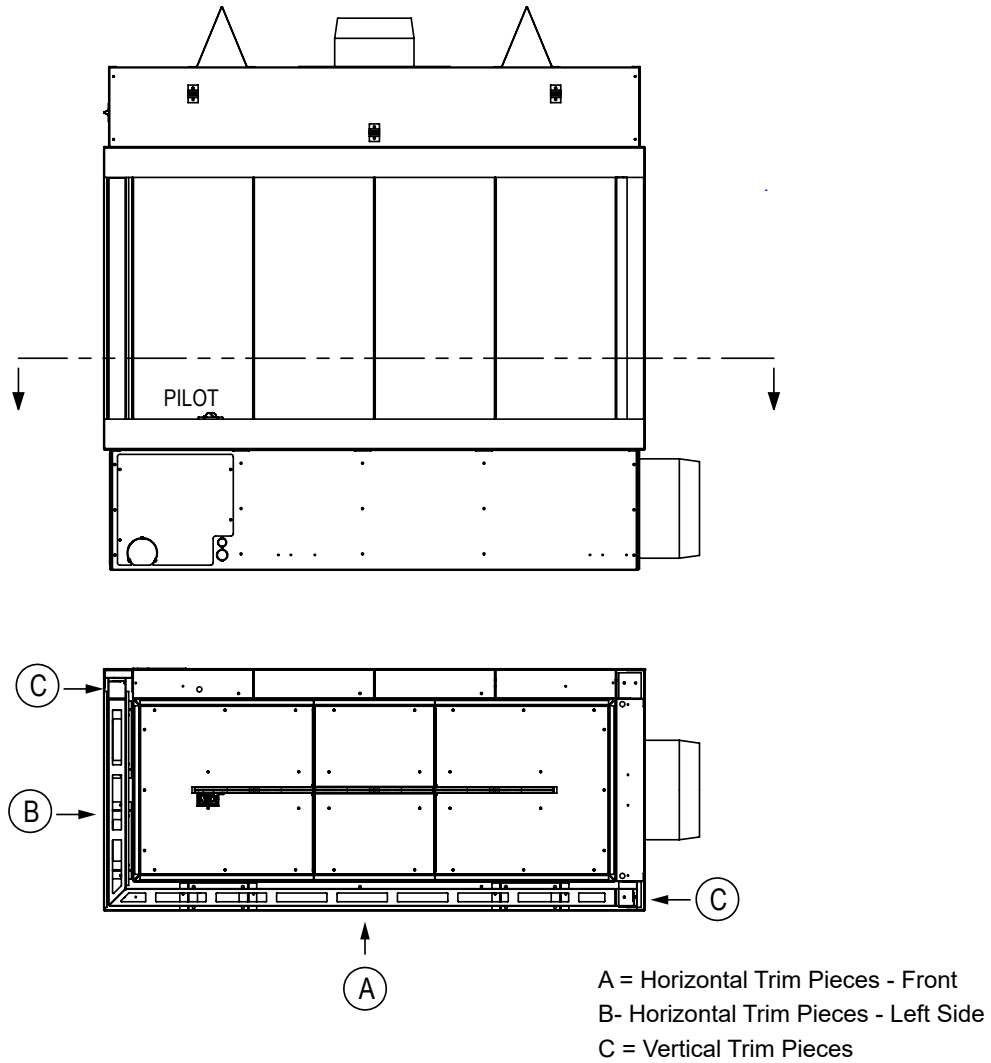


Figure 16.C

Model Width	A. Horizontal Trim Pieces Between Glass - Front		B. Horizontal Trim Pieces Between Glass - Right Side		Model Height	C. Vertical Trim	
	Part #	Qty	Part #	Qty		SKU	Qty
3'	SRV16300-1344	1	SRV16400-1145	1	20"	SRV16400-1433	2
4'	SRV16400-1344	1	SRV16400-1145	1	24"	SRV16400-1033	2
5'	SRV16500-1344	1	SRV16400-1145	1	30"	SRV16400-1633	2
6'	SRV16600-1344	1	SRV16400-1145	1	36"	SRV16400-1833	2
7'	SRV16700-1344	1	SRV16400-1145	1	48"	SRV16400-1533	2
8'	SRV16800-1344	1	SRV16400-1245	1	60"	SRV16400-1933	2

17 - SERVICE & MAINTENANCE HISTORY

Service & Maintenance History		Provided By
<i>Date:</i>	<i>Description of Service</i>	<i>Name</i>

Figure 17

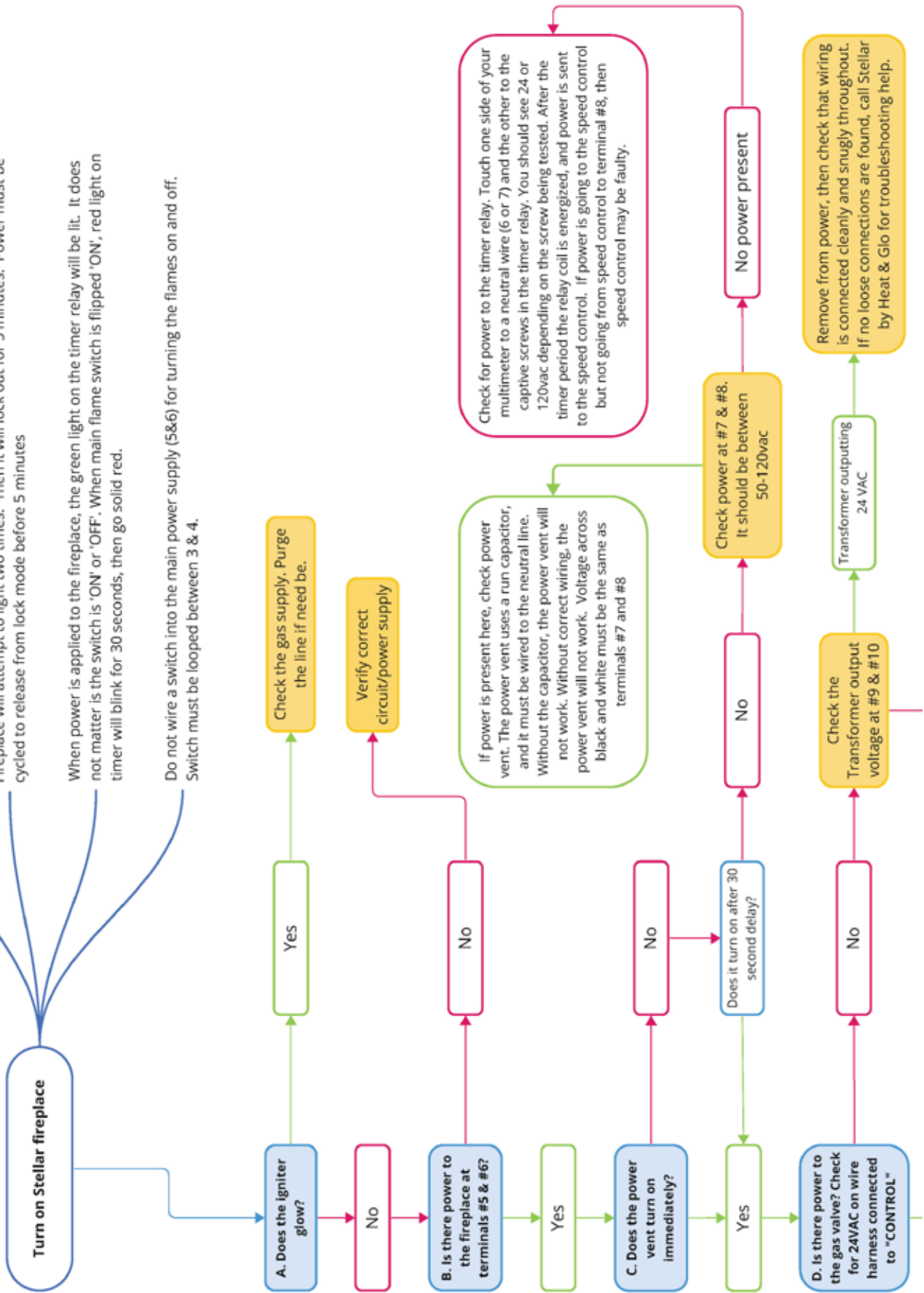
TROUBLE SHOOTING

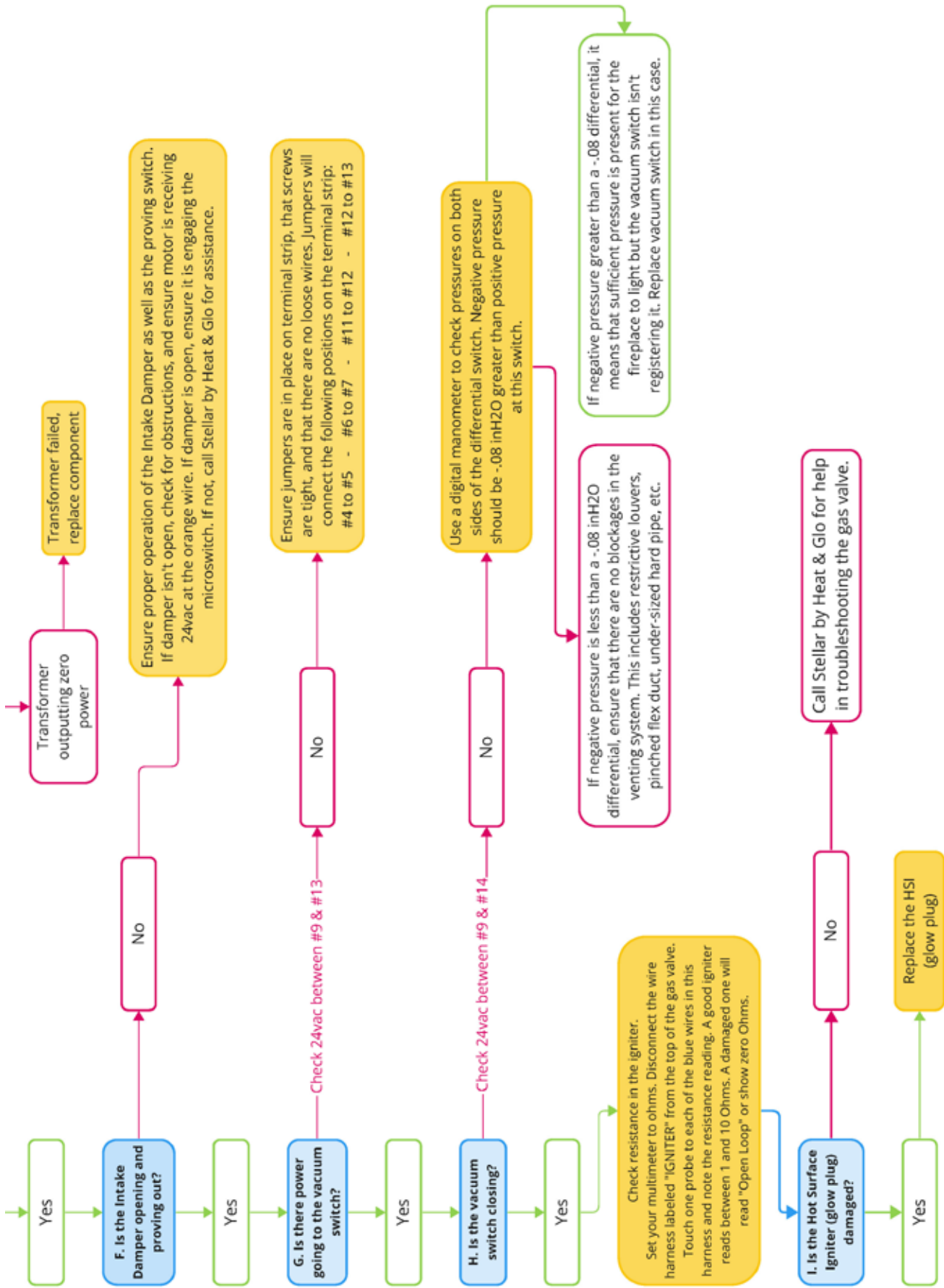
For new installations, double and triple check that the wiring is correct. Fireplace must be wired exactly as noted in the manual.

Fireplace will attempt to light two times. Then it will lock out for 5 minutes. Power must be cycled to release from lock mode before 5 minutes

When power is applied to the fireplace, the green light on the timer relay will be lit. It does not matter if the switch is 'ON' or 'OFF'. When main flame switch is flipped 'ON', red light on timer will blink for 30 seconds, then go solid red.

Do not wire a switch into the main power supply (5&6) for turning the flames on and off. Switch must be looped between 3 & 4.





3 in 1 LED Controller (2.4G) Instruction Manual

Contents

<u>Product features</u>	2
<u>Set up output mode</u>	3
<u>Compatible with remote</u>	3
<u>2.4G RF remote control instruction</u>	4-7
<u>Link / Unlink Instructions</u>	4
<u>Auto transmitting & Synchronization</u>	5
<u>Dynamic mode table selection</u>	5
<u>PWM frequency switching</u>	6
<u>“Do Not Disturb” mode is activated and shut down</u>	7
<u>DMX512 LED transmitter control instruction</u>	8
<u>Attention</u>	9

Product features

Made by new 2.4GHz wireless transmitting technology with low power consumption, strong ability to build network automatically and anti-interference. with MiBoxer 2.4GHz gateway to get wireless dimming color, remote control, timing control, group control, music rhythm function. Support 2.4G RF remote control.



16 Millions of colors to choose



Color temperature adjustable



Dim brightness / Saturation



2.4G RF wireless transmission technology



Remote control distance 30m



Auto-transmitting & Synchronization



Support Smartphone app control (2.4GHz gateway is needed)



Support third party voice control (2.4GHz gateway is needed)



DMX512 controllable
(Only for RGB+CCT output mode DMX512 LED transmitter is needed)

Set up output mode

Set up correct output mode based on the feature of lights

Setting method: Press "SET" button continuously to switch output mode (attention: it will log out without operation within 3 seconds)

Output mode sheet (confirm output mode based on color of indicator)

Indicator color	Red Light	Green Light	Blue Light
Output	RGB	RGBW	RGB+CCT

Compatible with these 2.4G RF remote controls (Purchased separately)



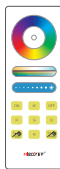
FUT100



FUT089S



FUT089
FUT089-B



FUT088



FUT092
FUT092-B



FUT096
FUT096-B



B8



B0 / B0-B



B4 / B4-B / T4



B3 / B3-B / T3



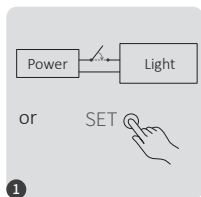
S2-B / S2-W
S2-G



FUTD01

2.4G RF Remote control instruction

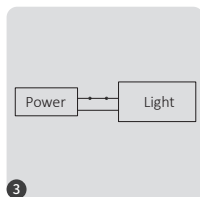
1). Linking Code Instructions



Power off 10 seconds and power on again or short press "SET" one time.



Short press " | " button 3 times within 3 seconds.

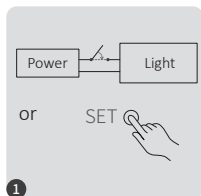


Lights blink 3 times slowly means linking is done successfully.



Linking failed if light is not blinking slowly, Please follow above steps again.
(Note: Light that have linked can't link again)

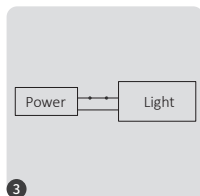
2). Unlinking Code Instructions



Power off 10 seconds and power on again or short press "SET" one time.



Short press " | " button 5 times within 3 seconds.



Lights blink 10 times quickly means unlinking is done successfully.



Unlinking failed if light is not blinking quickly, Please follow above steps again.
(Note: Light haven't linked that don't need to unlink)

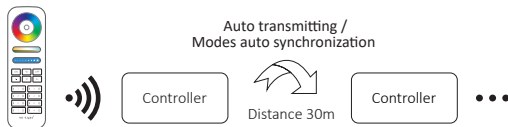
3). Auto transmitting & Synchronization (only for remote control)

Remote signal auto transmitting

One light can transmit the signals from the remote control to another light within 30m, as long as there is a light within 30m, the remote control distance can be limitless.

Dynamic modes auto synchronization

Multi lights can synchronize if they are in same dynamic mode and linked with same remote (distance between each light is within 30m)



4). Dynamic mode table selection (only for remote control)

Select dynamic mode table 1:

While the light is in static mode, short press “S+” button 5 times quickly until blue light flashes 3 times slowly, static mode is activated successfully.

Select dynamic mode table 2:

While the light is in static mode, short press “S-” button 5 times quickly until yellow light flashes 3 times slowly, static mode is activated successfully.

Dynamic mode table 1 (default)

Number	Dynamic Mode	Brightness / Saturation / Speed
1	Mardi Gras	Adjustable
2	Automatic color change	
3	Sam	
4	Gemstone	
5	Twilight	
6	American	
7	Fat Tuesday	
8	Party	
9	Slow Color Splash	

Dynamic mode table 2 (need to switch manually)

Number	Dynamic Mode	Brightness / Saturation / Speed
1	Seven colors gradual change	Adjustable
2	White light Gradual change	
3	RGB gradual change	
4	Seven colors jump to change	
5	Jump to change randomly	
6	Red light gradual change +Flash 3 times	
7	Green light gradual change +Flash 3 times	
8	Blue light gradual change +Flash 3 times	
9	White light gradual change +Flash 3 times	

5). PWM high frequency / low frequency switching (only for remote control)

Switch to high frequency (16KHz):

Press "OFF" button 1 time within three seconds and press "ON" button 5 times, Activated successfully once led light flashes 2 times quickly.

Switch to low frequency (250Hz):

Press "ON" button 1 time within three seconds and press "OFF" button 5 times, Activated successfully once led light flashes 2 times slowly.

6). “Do Not Disturb” mode is activated and shut down (default activated)

Turn on “Do Not Disturb” mode (wide using in the area which have power failure frequently to save energy)

2.4G RF Remote turn on and turn off instruction

Turn on “Do Not Disturb” mode:

Press “OFF” button three times within three seconds and press “ON” button three times, Activated successfully once led light flashes four times quickly.

Attention: Do not disturb mode is activated

1. When the light is OFF status (For example: Use app or remote to turn off light)

The light is OFF status once you turn off power and turn on again.

(User must turn off and turn on power twice times to activate light or use APP / remote to activate light)

2. When the light is ON status

The light is ON status once you turn off and turn on power one time.

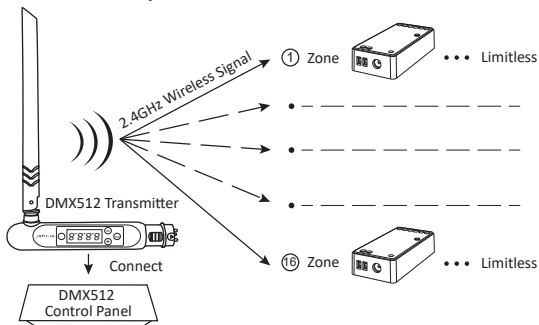
Turn off “Do Not Disturb” mode:

Press “ON” button three times within three seconds and press “OFF” button three times, closed successfully once led light flashes four times slowly.

Attention: The light will be always “ON” status if you turn on and turn off power once user closed “Do Not Disturb” mode.

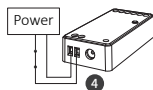
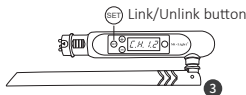
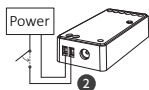
DMX512 LED Transmitter Control (Purchased separately)

Only for RGB+CCT output mode



DMX512 LED Transmitter Link/Unlink

- 1 Follow instruction of DMX512 transmitter (FUTD01), Choose the zone for the light by pressing “+” or “-” (e.g. “CH12” means zone 12)



Link

The controller is powered off for 10 seconds and then powered on, or press “SET” button 1 time.

Short press “SET” 3 times within 3 seconds while the indicator of controller is ON

Link is done once indicator of controller flashes 3 times slowly

Unlink

The controller is powered off for 10 seconds and then powered on, or press “SET” button 1 time.

Short press “SET” 5 times within 3 seconds while the indicator of controller is ON

Unlink is done once indicator of controller flashes 10 times quickly



If the link or unlink failed, please follow the above steps again.

Attention

1. Please turn off power supply before installation.
2. Please ensure input voltage to be same as requirements from device.
3. Don't disassemble device if you are not expert, otherwise it will damage it.
4. Please do not use the light in the place with widely range metal area or strong electromagnetic wave nearby, otherwise, the remote distance will be seriously affected.



Scan QR code to watch 2.4GHz series video instruction Or enter into following link directly

https://miboxer.com/light/video/1pc_remote.html



Made in China

Hearth & Home Technologies LLC
LIMITED LIFETIME WARRANTY

Hearth & Home Technologies LLC (“HHT”) extends the following warranty for HHT gas, wood, pellet and electric hearth appliances (each a “Product” and collectively, the “Product(s)”) and certain component parts set forth in the table below (“Component Part(s)”) that are purchased from a HHT authorized dealer or distributor.

WARRANTY COVERAGE:

HHT warrants that the Products and their Component Parts will be free from defects in materials and workmanship for the applicable period of Warranty coverage set forth in the table below (“Warranty Period”). If a Product or Component Parts are found to be defective in materials or workmanship during the applicable Warranty Period, HHT will, at its option, repair the applicable Component Part(s), replace the applicable Component Part(s), or refund the purchase price of the applicable Product(s). The maximum amount recoverable under this Warranty is limited to the purchase price of the Product. This Warranty is transferable from the original purchaser to subsequent owners, but the Warranty Period will not be extended in duration or expanded in coverage for any such transfer. This Warranty is subject to conditions, exclusions, and limitations as described below.

WARRANTY PERIOD:

Warranty coverage begins at the date of installation. In the case of new home constructions, Warranty coverage begins on the date of first occupancy of the dwelling or six months after the sale of the Product(s) by an independent, authorized HHT dealer or distributor, whichever occurs earlier. However, the Warranty coverage shall commence no later than 24 months following the date of Product shipment from HHT, regardless of the installation or occupancy date.

The term “Lifetime” in the table below is defined as: 20 years from the beginning date of warranty coverage for gas appliances, 10 years from the beginning date of warranty coverage for wood and pellet appliances, and 5 years from the beginning of warranty coverage for standalone gas log sets. These time periods reflect the minimum expected useful lives of the designated Component Parts under normal operating conditions.

Warranty Period		HHT Manufactured Appliances and Venting					Component Parts Covered by this Warranty
Component Parts	Labor	Gas	Pellet	Wood	Electric	Venting	
1 Year		X	X	X		X	All parts including handles, external enameled components and other material except as covered by Warranty Conditions, Warranty Exclusions, and Warranty Limitations listed
2 Years					X		All parts except as covered by Warranty Conditions, Warranty Exclusions, and Warranty Limitations listed
2 years			X	X			Igniters, Auger Motors, Electronic Components, and Glass
		X					Electrical components limited to modules, remotes/wall switches, valves, pilots, blowers, junction boxes, wire harnesses, transformers and lights (excluding light bulbs)
		X		X			Molded Refractory Panels, Glass Liners
3 years			X				Firepots, burnpots, mechanical feeders/auger assemblies
5 years		X					Burners and logs for standalone gas log sets (Vented and Vent Free gas log sets not sold as components of the fireplace or stove)
5 years	1 year	X					Vent Free Burners and Vent Free Log components of HHT manufactured fireplaces or stoves
			X	X			Castings, Medallions and Baffles
6 years	3 years			X			Catalysts
7 years	3 years		X	X			Manifold tubes, HHT Chimney and Terminations
10 years	1 year	X					Burners, logs and refractory components of HHT manufactured fireplaces or stoves
Limited Lifetime	3 years	X	X	X			Firebox and heat exchanger, FlexBurn® System (engine, inner cover, access cover and fireback)
1 Year	None	X	X	X	X	X	All purchased replacement parts

WARRANTY CONDITIONS:

- Because HHT cannot control the quality of any Products sold by unauthorized sellers, this Warranty only covers Products that are purchased through an HHT authorized dealer or distributor unless otherwise prohibited by law; a list of HHT authorized dealers is available on the HHT branded websites.
- This Warranty is only valid while the applicable Product remains at the site of original installation.
- This Warranty is only valid in the country in which the HHT authorized dealer or distributor that sold the applicable Product is authorized to sell applicable Product.
- Contact your installing distributor or dealer for Warranty service. If the installing dealer or distributor is unable to provide necessary parts, contact the nearest HHT authorized dealer or supplier. Additional service fees may apply if you are seeking Warranty service from a dealer other than the dealer from whom you originally purchased the applicable Product.
- No HHT consumer should bear cost of warranty service or costs incurred while servicing warranty claims (i.e., travel, gas, or mileage) when the service is performed within the terms of this Warranty. Check with your dealer or distributor in advance for any costs to you when arranging a warranty call. Travel and shipping charges for parts are not covered by this Warranty.

WARRANTY EXCLUSIONS:

This Warranty does not cover the following:

- Changes in surface finishes as a result of normal use. As a heating appliance, some changes in color of interior and exterior surface finishes may occur. This is not a flaw and is not covered under the Warranty.
- Damage to printed, plated, or enameled surfaces caused by fingerprints, accidents, misuse, scratches, melted items or other external sources and residues left on the plated surfaces from the use of abrasive cleaners or polishes.
- Repair or replacement of parts that are subject to normal wear and tear during the Warranty Period are not covered. These parts include: paint, wood and pellet gaskets, firebricks, grates, flame guides, batteries and the discoloration of glass.
- Minor expansion, contraction, or movement of certain parts causing noise. These conditions are normal and complaints related to this noise are not covered by this Warranty.
- Damages resulting from: (1) failure to install, operate, or maintain the applicable Product in accordance with the installation instructions, operating instructions, and listing agent identification label furnished with the applicable Product; (2) failure to install the applicable Product in accordance with local building codes; (3) shipping or improper handling; (4) improper operation, abuse, misuse, continued operation with damaged, corroded or failed components, accident, or improperly/incorrectly performed repairs; (5) environmental conditions, inadequate ventilation, negative pressure, or drafting caused by tightly sealed constructions, insufficient make-up air supply, or handling devices such as exhaust fans or forced air furnaces or other such causes; (6) use of fuels other than those specified in the operation instructions; (7) installation or use of components not supplied with the applicable Product or any other components not expressly authorized and approved by HHT; (8) modification of the appliance not expressly authorized and approved by HHT in writing; and/or (9) interruptions or fluctuations of electrical power supply to the applicable Product.
- Non-HHT venting components, hearth connections or other accessories used in conjunction with the applicable Product.
- Any part of a pre-existing fireplace system in which an insert or a decorative gas applicable Product is installed.
- HHT's obligation under this Warranty does not extend to the Product's capability to heat the desired space. Information is provided to assist the consumer and the dealer in selecting the proper Product for the application. Consideration must be given to the Product location and configuration, environmental conditions, insulation and air tightness of the structure.

This warranty is void if:

- The applicable Product has been over-fired, operated in atmospheres contaminated by chlorine, fluorine, or other damaging chemicals. Over-firing can be identified by, but not limited to, warped plates or tubes, deformation/warping of interior cast iron structure or components, rust colored cast iron, bubbling, cracking and discoloration of steel or enamel finishes.
- The applicable Product is subjected to prolonged periods of dampness or condensation.
- There is any damage to the applicable Product due to water or weather damage which is the result of, but not limited to, improper chimney or venting installation.

LIMITATIONS OF REMEDIES AND LIABILITY:

- **EXCEPT TO THE EXTENT PROVIDED BY LAW, HHT MAKES NO EXPRESS WARRANTIES OTHER THAN THE WARRANTY SPECIFIED HEREIN. The owner's exclusive remedy and HHT's sole obligation under this Warranty or in contract, tort or otherwise, shall be limited to replacement of the Component Part(s), repair of the Component Part(s), or refund of the original purchase price of the applicable Product(s), as specified above; provided, however, that (i) if HHT is unable to provide replacement of the Component Part(s) and repair of the Component Part(s) is not commercially practicable or cannot be timely made, or (ii) the customer is willing to accept a refund of the purchase price of the applicable Product(s), HHT may discharge all such obligations by refunding the purchase price of the applicable Product. In no event will HHT be liable for any incidental or consequential damages caused by defects in the applicable Product. Some States do not allow the exclusion or limitation of incidental or consequential damages, so the above limitation or exclusion may not apply to you. This Warranty gives you specific legal rights and you may also have other rights which vary from State to State. THE DURATION OF ANY IMPLIED WARRANTY IS LIMITED TO DURATION OF THE EXPRESSED WARRANTY SPECIFIED ABOVE FOR THE APPLICABLE PRODUCT. Some States do not allow limitations on how long an implied warranty lasts, so the above limitation may not apply to you.**