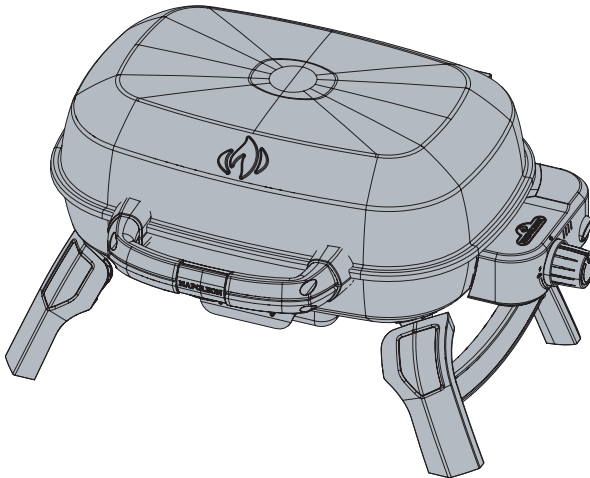
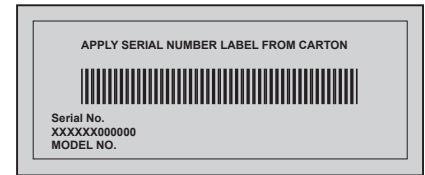


This gas grill must be used only outdoors in a well-ventilated space and must not be used inside a building, garage, screened-in porch, gazebo or any other enclosed area.



TQ240



DANGER

IF YOU SMELL GAS:

- Shut off gas to the appliance.
- Extinguish any open flame.
- Open lid.
- If odor continues, keep away from the appliance and immediately call your gas supplier or fire department.

IF A FIRE SHOULD OCCUR:

- Keep away from the appliance and immediately call your fire department.
- Do not attempt to extinguish an oil or grease fire with water.



WARNING

Do not try to light this appliance without reading the "LIGHTING" instructions section of this manual.

- Never operate this appliance unattended.
- Never operate this appliance within 10 ft (3.0 m) of any structure, combustible material or other gas cylinder.
- Never operate this appliance within 25 ft (7.5 m) of any flammable liquid.

Failure to follow these instructions could result in fire, explosion or burn hazard which could cause property damage, personal injury or death.

Adults and especially children should be alerted to the hazards of high surface temperatures. Young children should be supervised near the gas grill.

Notice to Installer: Leave these instructions with the grill owner for future reference.



N415-0699 REV - Nov. 11, 2022

Wolf Steel Ltd.
214 Bayview Drive,
Barrie, Ontario, CANADA L4N 4Y8
grills@napoleon.com

Wolf Steel Ltd.
24 Napoleon Road
Barrie, Ontario, CANADA L4M 0G8
grills@napoleon.com



www.napoleon.com

EN

FR
PG.13

ES
PG.25

Napoleon President's 10 Year Limited Warranty



NAPOLEON products are designed with superior components and materials, and are assembled by trained craftsmen who take great pride in their work. This grill has been thoroughly inspected by a qualified technician before packaging and shipping to ensure that you, the customer, receive the quality product you expect from NAPOLEON.

NAPOLEON warrants that components in your new NAPOLEON product will be free from defects in material and workmanship from the date of purchase, for the following period:

Painted steel lid and base.....	5 years full coverage, plus 50% off until the 10th year
Stainless steel tube burners.....	5 years full coverage, plus 50% off until the 10th year
Porcelain-enameled cast iron cooking grids.....	5 years full coverage, plus 50% off until the 10th year
Stainless steel or porcelain sear plates.....	3 years full coverage, plus 50% off until the 10th year
All other parts.....	2 years

*Conditions and Limitations

This Limited Warranty creates a warranty period as specified in the aforementioned table, for any product purchased through an authorized NAPOLEON dealer, and entitles the original purchaser to the specified coverage in respect of any component replaced within the warranty period, either by NAPOLEON or an authorized NAPOLEON dealer, to replace a component of such product that has failed in normal private use as a result of a manufacturing defect. The "50% off" indicated in the table means the component is made available to the purchaser at a 50% discount off the regular retail price of the component for the period indicated. This Limited Warranty does not cover accessories or bonus items.

For greater certainty, "normal private use" of a product means that the product: has been installed by a licensed, authorized service technician or contractor, in accordance with the installation instructions included with the product and all local and national building and fire codes; has been properly maintained; and has not been used as a communal amenity or in a commercial application.

Similarly, "failure" does not include: over-firing, blow outs caused by environmental conditions such as strong winds or inadequate ventilation, scratches, dents, corrosion, deterioration of painted and plated finishes, discoloration caused by heat, abrasive or chemical cleaners or UV exposure, chipping of porcelain enameled parts, or damages caused by misuse, accident, hail, grease fires, lack of maintenance, hostile environments such as salt or chlorine, alterations, abuse, neglect or parts installed from other manufacturers.

Should deterioration of parts occur to the degree of non-performance (rusted through or burnt through) within the duration of the warranted coverage, a replacement part will be provided. The replacement component is the sole responsibility of NAPOLEON defined by this Limited Warranty; in no event will NAPOLEON be responsible for installation, labor or any other costs or expenses related to the re-installation of a warranted part, for any incidental, consequential, or indirect damages or for any transportation charges, labor costs or export duties.

This Limited Warranty is provided in addition to any rights afforded to you by local laws. Accordingly, this Limited Warranty imposes no obligation upon NAPOLEON to keep parts in stock. Based on the availability of parts, NAPOLEON may at its discretion discharge all obligations by providing a customer a prorated credit towards a new product. After the first year, with respect to this Limited Warranty NAPOLEON may, at its discretion, fully discharge all obligations with respect to this warranty by refunding to the original warranted purchaser the wholesale price of any warranted but defective part(s).

The bill of sale or copy will be required together with a serial number and a model number when making any warranty claims from NAPOLEON. NAPOLEON reserves the right to have its representative inspect any product or part prior to honoring any warranty claim. You must contact NAPOLEON Customer Service or an authorized NAPOLEON dealer to obtain the benefit of the warranty coverage.



www.napoleon.com



- **This instruction manual contains important information necessary for the proper assembly and safe use of the appliance.**
- **Read and follow all warnings and instructions before assembly and using the appliance.**
- **Follow all warnings and instructions when using the appliance.**

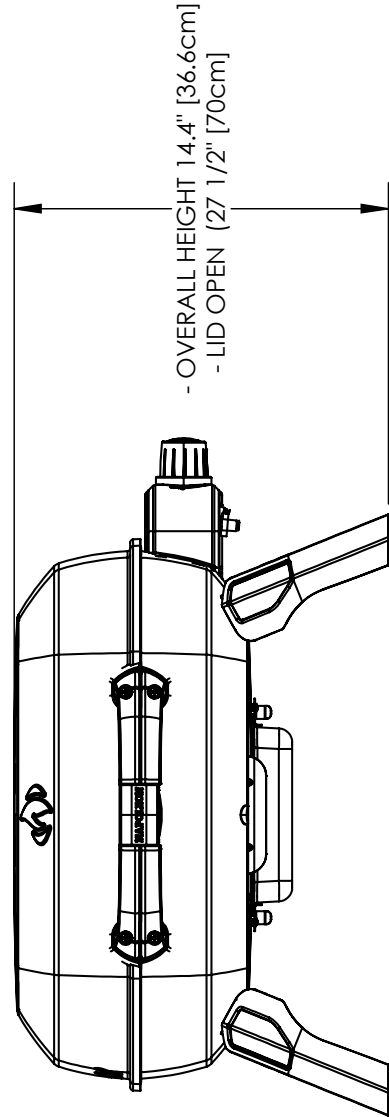
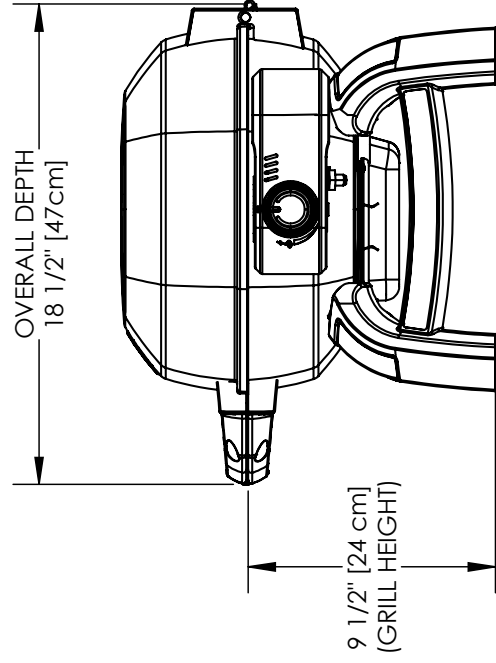
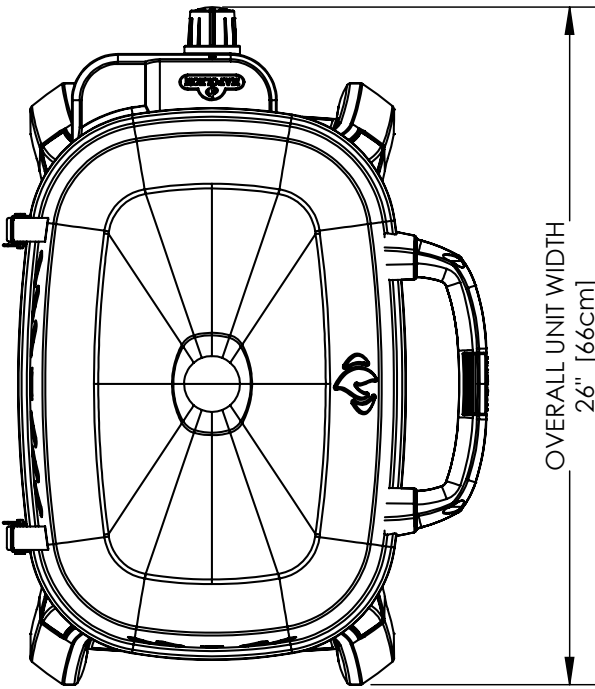
Safe Operating Practices

- This gas grill must be assembled exactly according to the instructions in the manual. If the grill was store assembled, you must review the assembly instructions to confirm correct assembly and perform the required leak tests before operating the grill.
- Read the entire instruction manual before operating the gas grill.
- This gas grill must only be used outdoors in a well-ventilated space and must not be used inside a building, garage, screened in porch, gazebo or any other enclosed area.
- Do not use this grill under extended awnings. Failure to follow these instructions could result in a fire or personal injury.
- This gas grill must not be installed in or on recreational vehicles and/or boats.
- This gas grill is designed for L.P. only.
- Do not locate in windy settings. High winds adversely affect the cooking performance of the gas grill.
- Under no circumstances should this gas grill be modified.
- Do not operate unit under any combustible construction.
- Maintain proper clearance to combustibles 18" (457mm) to rear of unit, 18" (457mm) to sides. Additional clearance is recommended near vinyl siding or panes of glass.
- The gas supply hose (optional) must be installed in a manner that will not allow contact with any hot surfaces of the grill while in use or in the storage/travel mode.
- The propane cylinder must be disconnected when the gas grill is not in use.
- When the propane cylinder is connected to the appliance, the gas grill and cylinder must be stored outdoors in a well-ventilated space.
- When the gas grill is to be stored indoors, the connection between the propane cylinder and the gas grill must be disconnected and the cylinder removed and stored outdoors in a well ventilated space out of reach of children. Disconnected cylinders must not be stored in a building, garage or any other enclosed area.
- Inspect the gas supply hose (optional) before each use. If there is evidence of excessive abrasion or wear or the hose is cut, it must be replaced prior to using the gas grill with a replacement pressure regulator and hose assembly specified by the grill manufacturer.
- Do not route hose (optional) underneath drip pan - proper hose clearance to bottom of unit must be maintained.
- Leak test the unit before initial use, annually and whenever any gas components are replaced.
- Follow the lighting instructions carefully when operating grill.
- Do not light burners with lid closed.
- The use of alcohol, prescription or non-prescription drugs may impair the consumer's ability to properly assemble or safely operate the gas grill.
- Do not leave grill unattended when operating. Keep children and pets away from the appliance at all times.
- Do not move grill when hot or operating.
- Keep any electrical supply cord and fuel supply hose away from any heated surfaces.
- Clean grease tray regularly to avoid build-up, which may lead to grease fires.
- Do not use water, beer, or any other liquids to control flare-ups.
- Do not use a pressure washer to clean any part of the unit.
- This gas grill is not intended for commercial use.
- This gas grill is not intended for and should never be used as a heater.

DIMENSIONS

TQ240 GRILL

9,000 BTU MAIN BURNER
 GRILL SIZE: 240 in² (1,548 cm²)
 ALL DIMENSIONS ARE APPROXIMATE



Handle With Care



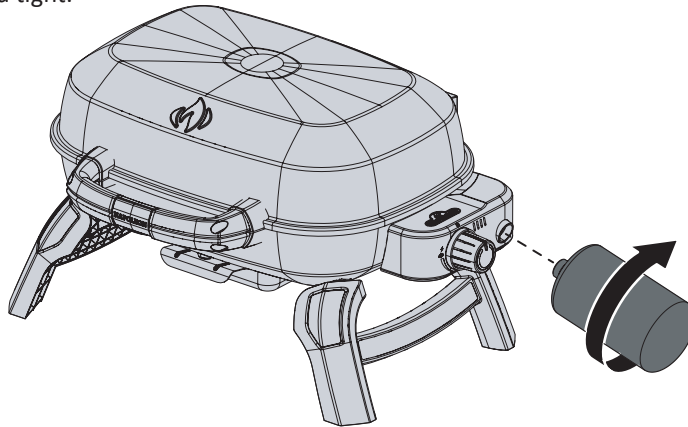
CAUTION! Use care when handling or transporting your grill to prevent damage and misalignment of internal components. Although this grill has been designed with mobility in mind, rough handling or abuse will result in damage to internal components, preventing your grill from operating properly.

General Information

This gas barbecue is certified under Canadian and American National Standards, CSA 1.18-2017 and ANSI Z21.89-2017 respectively for outdoor gas grills and should be installed to conform to local codes. In absence of local codes, install to the current CAN/CSA-B149.1 Propane Installation Code in Canada or to the National Fuel Gas Code, ANSI Z223.1/NFPA 54 and ANSI/NFPA 58 in the United States.

Use only the pressure regulator provided with this barbecue. Replacement pressure regulators must be supplied by or specified by the manufacturer. The regulator supplies a pressure of 11 inches water column to the gas grill and has a female CGA#600 type fitting.

Cylinder Installation: 1 lb (.454kg) disposable cylinders to be used with this unit must be equipped with a male CGA #600 type connection. This cylinder has a positive seating connection, which will not allow gas flow until a positive seal has been achieved. To install the cylinder simply screw it into the regulator - tighten hand tight.



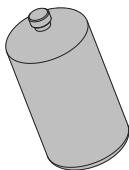
WARNING! Use cylinders that are marked "Propane Fuel" only.



WARNING! Be careful not to cross thread when installing the cylinder. Do not use tools to tighten the cylinder.



WARNING! Do not operate the grill if the regulator shows signs of impact damage.



WARNING! The dust cap should be in place when the propane cylinder is not in use to prevent dirt and debris from entering.

WARNING! Review instructions on propane cylinder prior to using. A dented or rusted cylinder may be hazardous. Discard cylinder if rust particles or debris are in the connection area of the propane cylinder.



WARNING! California Proposition 65

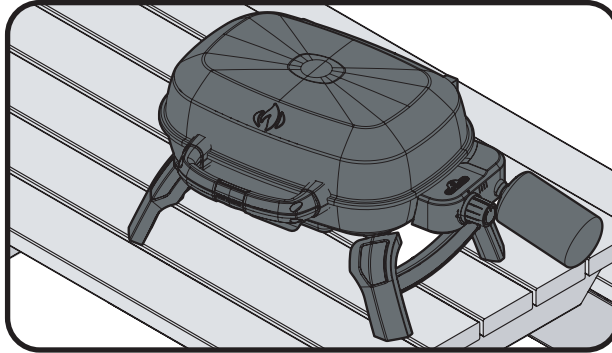
This product can expose you to chemicals including soot, which are known to the State of California to cause cancer, and chemicals including carbon monoxide, which are known to the State of California to cause birth defects or other reproductive harm. For more information go to www.P65Warnings.ca.gov.

Table Top Use

This unit has been designed with mobility in mind. With collapsible legs, this portable grill can be set up on most tabletops. The legs fold out and lock into place, folding back into a locked position when on the go.



WARNING! The legs located on each side of your grill must be unfolded during use.
WARNING! Do not use the grill on plastic, resin or glass table tops.



Leak Testing Instructions



WARNING! A leak test must be performed annually and each time a cylinder is hooked up or if a part of the gas system is replaced.



WARNING! Never use an open flame to check for gas leaks. Be certain no sparks or open flames are in the area while you check for leaks. Sparks or open flames will result in a fire or explosion, damage to property, serious bodily injury, or death.

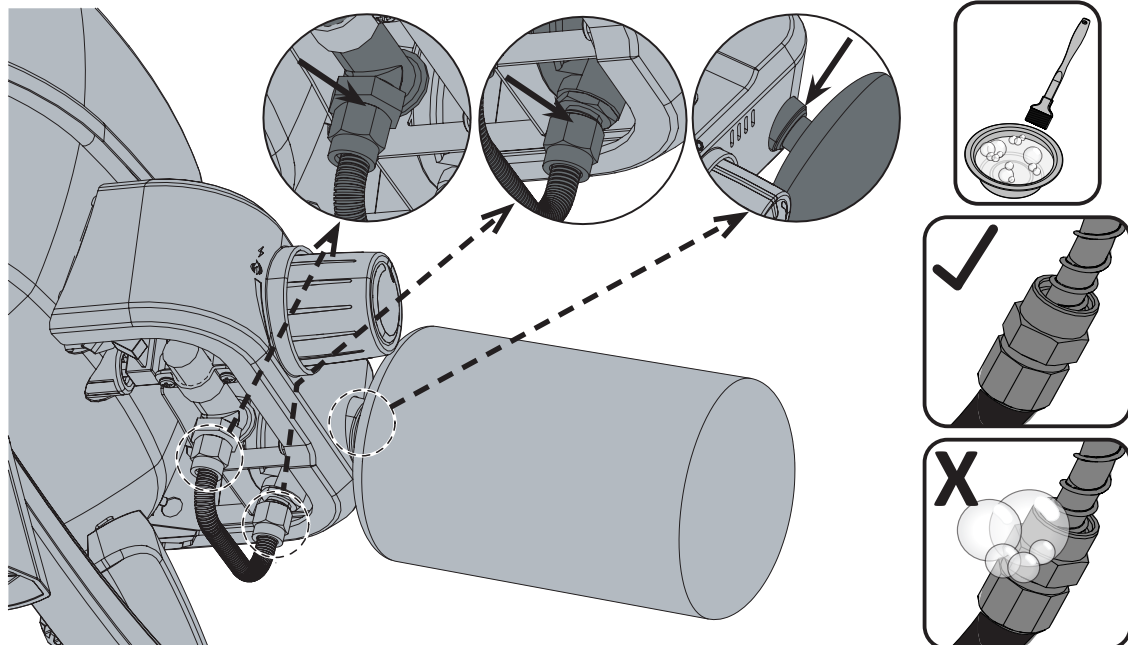


Leak testing: This must be done before initial use, annually, and whenever any gas components are replaced or serviced. Do not smoke while performing this test, and remove all sources of ignition. See Leak Testing Diagram for areas to check. Turn all burner controls to the off position. Connect a disposable cylinder or slowly turn on the gas supply valve (large propane cylinder)

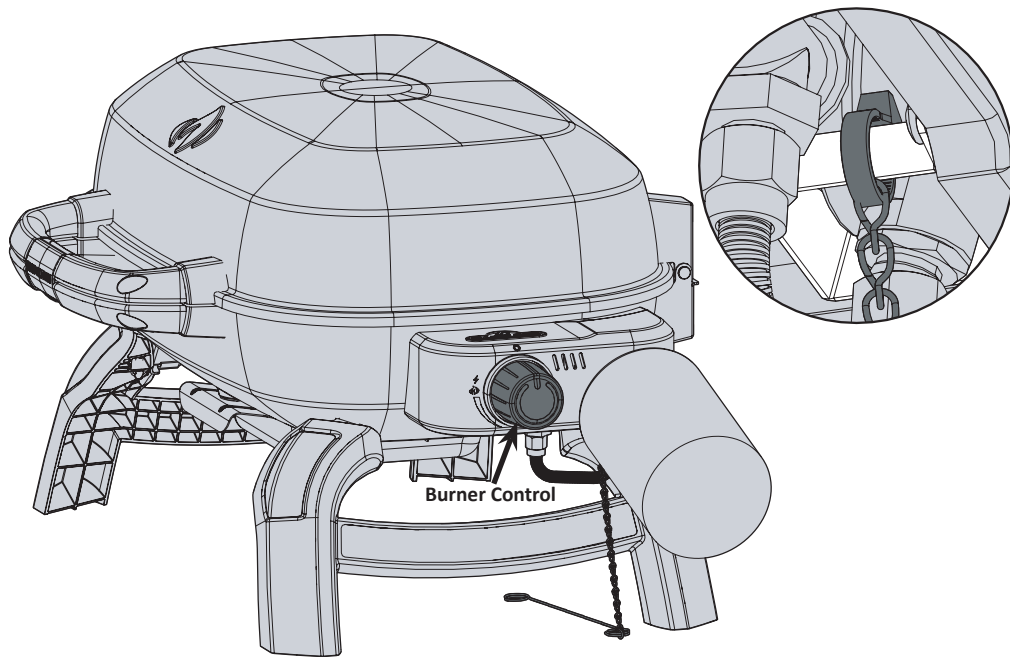
Brush a half-and-half solution of liquid soap and water onto all joints and connections of the regulator, hose, manifolds and valves.

Bubbles will indicate a gas leak. Either tighten the loose joint or have the part replaced with one recommended by the Napoleon Customer Solutions department and have the grill inspected by a certified gas installer.

If the leak cannot be stopped, **immediately shut off the gas supply**, disconnect it, and have the grill inspected by a certified gas installer or dealer. Do not use the grill until the leak has been corrected.



Lighting Instructions



WARNING! Open lid

WARNING! Ensure all burner controls are in the off position. Connect a disposable cylinder or slowly turn on the gas supply valve (large propane cylinder).

Main Burner Lighting

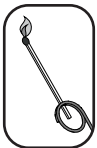
1. Open grill lid

2. Push and turn any main burner control knob slowly to the 'hi' position. This action will ignite the selected burner.

3. If the burner does not ignite, then immediately turn the control knob back to the 'off' position and repeat step 2 several times.

4. If the burner will not ignite within 5 seconds, turn the control knob to the 'off' position and wait 5 minutes for any excess gas to dissipate, either repeat steps 2 and 3 or light with a match.

5. If lighting the unit with a match, clip the match into the supplied lighting rod. Hold the lit match down through the grill while turning the corresponding burner valve to high.





Cooking Instructions

WARNING! Do not use this grill under extended awnings. Failure to follow these instructions could result in a fire or personal injury.

DANGER! Allow the grill to cool to the touch before moving or storing. Failure to do so could result in a fire resulting in property damage, personal injury or death.

Initial Lighting: When lit for the first time, the gas grill emits a slight odor. This is a normal temporary condition caused by the “burn-in” of internal paints and lubricants used in the manufacturing process and does not occur again. Simply run the main burners on high for approximately one-half hour.

Main Burner Use: When searing foods, we recommend preheating the grill by operating all main burners in the high position with the lid closed for approximately 10 minutes. Food cooked for short periods of time (fish, vegetables) can be grilled with the lid open. Cooking with the lid closed will ensure higher, more even temperatures that can reduce cooking time and cook meat more evenly. Food that has a cooking time longer than 30 minutes, such as roasts, can be cooked indirectly (with the burner lit opposite to the food placement). When cooking very lean meats, such as chicken breasts or lean pork, the grids can be oiled before pre-heating to reduce sticking. Cooking meat with a high degree of fat content can create flare-ups. Either trim the fat or reduce temperatures to inhibit this. Should a flare-up occur, move food away from the flames and reduce the heat. Leave the lid open. See Your All Season Grill cookbook by Napoleon for more detailed instructions.

Cleaning Instructions



WARNING! Always wear protective gloves and safety glasses when servicing your grill.



WARNING! To avoid the possibility of burns, maintenance should be done only when the grill is cool. Avoid unprotected contact with hot surfaces. Ensure all burners are turned off. Clean grill in an area where cleaning solutions will not harm decks, lawns, or patios. Do not use oven cleaner to clean any part of this gas grill. Do not use a self-cleaning oven to clean cooking grids or any other parts of the gas grill. Barbecue sauce and salt can be corrosive and will cause rapid deterioration of the gas grill components unless cleaned regularly.



Note: Stainless steel tends to oxidize or stain in the presence of chlorides and sulfides, particularly in coastal areas and other harsh environments, such as the warm, highly humid atmosphere around pools and hot tubs. These stains could be perceived as rust, but can be easily removed or prevented. To provide stain prevention and removal, wash all stainless steel and chrome surfaces every 3-4 weeks or as often as required with fresh water and/or stainless steel cleaner.

Cast Iron Cooking Grids: The cast iron cooking grids supplied with your new grill offer superior heat retention and distribution. By regularly seasoning your grids you are adding a protective coating, which will aid in resisting corrosion and increase your grids non-stick capabilities.

First Time Use: Wash the cooking grids by hand with mild dish soap and water to remove any residue from the manufacturing process (never wash in a dish washer). Rinse thoroughly with hot water and dry completely with a soft cloth. This is important to avoid moisture from entering the cast iron.

Seasoning: Using a soft cloth, spread VEGETABLE SHORTENING with a high smoke point over the entire grid surface ensuring all grooves and corners are covered. Sunflower, avocado or canola oil is recommended. Do not use salted fats such as butter or margarine. Pre-heat your grill to 350°-400°F (176°C-204°C). Install coated grids in the grill. Close the lid and cook for 30 minutes. Apply a second coat of oil on the grids using a silicon brush and cook for 30 minutes more. Turn all the burners to the “OFF” position and turn the gas off at the source. Let the cooking grids stand until cool. This procedure should be repeated several times throughout the season at 3-4 uses intervals.

Note: if rust has formed on the cast iron grids, clean them with a scouring pad or brass brush and repeat the entire seasoning process.

Daily Usage: Before pre-heating, and cleaning with a brass wire grill brush, coat the entire top surface of the cooking grids with VEGETABLE SHORTENING. Pre-heat the grill and then brush away any unwanted residue with a brass wire brush.

Cleaning Inside The Gas Grill : Remove the cooking grids. Use a brass wire brush to clean loose debris from casting sides and underneath the lid. Brush all debris from inside the gas grill into the removable drip pan.

Drip Pan: Accumulated grease is a fire hazard. Clean the drip pan frequently to avoid grease buildup. Grease and excess drippings pass through to the drip pan, located beneath the gas grill and accumulate. To clean, slide the drip pan free of the grill. Never line the drip pan with aluminum foil, sand or any other material as this could prevent the grease from flowing properly. The pan should be scraped out with a putty knife or scraper.



CAUTION! Ensure drip pan is empty and clean before transporting grill in vertical position.

Cleaning The Outer Grill Surface: Do not use abrasive cleaners or steel wool on any painted, porcelain or stainless steel parts of your Napoleon Grill. Doing so will scratch the finish. Exterior grill surfaces should be cleaned with warm soapy water while the metal is still warm to the touch. To clean stainless surfaces, use a stainless steel or a non-abrasive cleaner. Always wipe in the direction of the grain. Over time, stainless steel parts discolor when heated, usually to a golden or brown hue. This discoloration is normal and does not affect the performance of the grill. Porcelain enamel components must be handled with additional care. The baked-on enamel finish is glass-like, and will chip if struck. Touch-up enamel is available from your Napoleon Grill dealer.

Maintenance Instructions

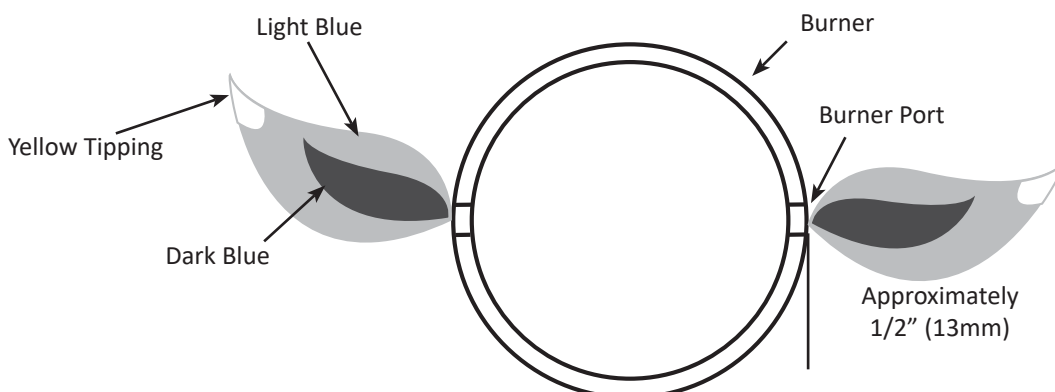
We recommend this gas grill be thoroughly inspected and serviced annually by a qualified service person. At all times keep the gas grill area free from combustible materials, gasoline and other flammable vapors and liquids. Do not obstruct the flow of ventilation and combustion air.



WARNING! Always wear protective gloves and safety glasses when cleaning your grill.



WARNING! Turn off the gas at the source and disconnect the unit before servicing. To avoid the possibility of burns, maintenance should be done only when the grill is cool. A leak test must be performed annually and whenever any component of the gas train is replaced or gas smell is present.



Combustion Air Adjustment: (This must be done by a qualified gas installer.) The air shutter is factory set and should not need adjusting under normal conditions. Under extreme field conditions, adjustments might be required. When the air shutter is adjusted correctly the flames will be dark blue, tipped with light blue and occasionally yellow.

- With too little air flow to the burner, the flames are lazy yellow and can produce soot.
- With too much air flow, the flames lift erratically and can cause difficulties when lighting.

Adjusting the air shutter:

1. Loosen air-shutter lock screw, located under the control panel, and open or close air shutter as required. The normal setting for the tube burner is 1/16" (1.5mm).
2. Light burner and set to high. Visually inspect burner flames. When shutters are set, turn burner off, tighten locking screw. Be sure the air shutter does not move when tightening the screw.

Burner: The burner is made from heavy wall 304 stainless steel, but extreme heat and a corrosive environment can cause surface corrosion to occur. This can be removed with a brass wire brush.



CAUTION! Beware of Spiders.

Spiders and insects are attracted to the smell of propane and natural gas. The burner is equipped with an insect screen on the air shutter, which reduces the likelihood of insects building nests inside the burner but does not entirely eliminate the problem. A nest or web can cause the burner to burn with a soft yellow

or orange flame or cause a fire (flashback) at the air shutter underneath the control panel. To clean the inside of the burner, it must be removed from the gas grill: Remove the screw (s) that attach the cross light bracket and the burner to the base. Slide the burner back and upwards to remove. Cleaning: Use a flexible venturi tube brush to clean the inside of the burner. Shake any loose debris from the burner through the gas inlet. Check the burner ports and valve orifices for blockages. Burner ports can close over time due to cooking debris and corrosion; use an opened paperclip to clean them. The ports are easier to clean if the burner is removed from the grill, but it can also be done with the burner installed.

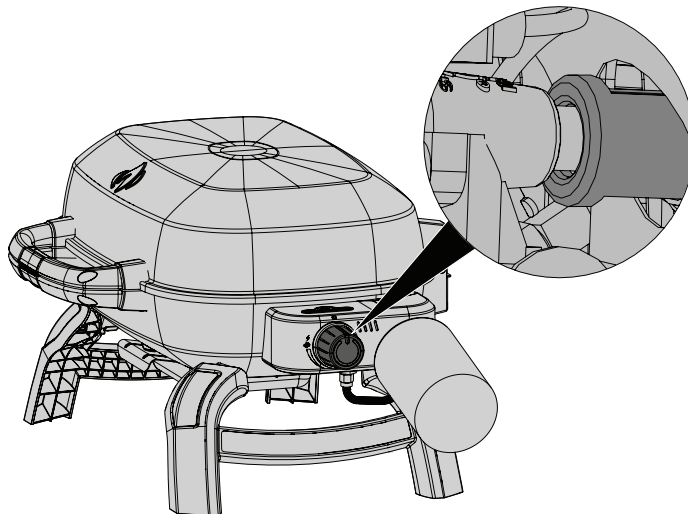
CAUTION! Take care not to enlarge the holes.

Ensure the insect screen is clean, tight, and free of any lint or other debris.

Reinstallation: Reverse the procedure to reinstall the burner. Check that the valve enters the burner when installing. Replace cross light bracket and tighten screws to complete reinstallation.



WARNING! When reinstalling the burner after cleaning it is very important that the valve/orifice enters the burner tube before lighting your gas grill. If the valve is not inside the burner tube a fire or explosion could occur.



WARNING! Hose (optional): Check for abrasions, melting, cuts, and cracks in the hose. If any of these conditions exist, do not use the gas grill. Have the part replaced by your Napoleon Gas Grill dealer or qualified gas installer.

Troubleshooting

Problem	Possible Causes	Solution
Low heat / Low flame when valve turned to high.	Blockage of gas. Improper preheating. Cylinder freezing up.	Check for spider webs in the burner or orifice. Preheat grill with main burners on high for 5 to 10 minutes. When cooking for long periods of time, or when the cylinder is close to being empty, or low outside air temperatures, 1 lb cylinders do not have enough wetted surface area to allow liquid propane to turn to vapor. Put on a fresh 1 lb cylinder or hook-up to a 20 lb tank.
Excessive flare-ups/ uneven heat.	Improper preheating. Excessive grease and ash build up in drip pan.	Preheat grill with both main burners on high for 5 to 10 minutes. Clean drip pan regularly. Do not line pan with aluminum foil. Refer to cleaning instructions.
Burners burn with yellow flame, accompanied by the smell of gas.	Possible spider web or other debris, or improper air shutter adjustment.	Thoroughly clean burner by removing. See general maintenance instructions. Open air shutter slightly according to combustion air adjustment instructions. (This must be done by a qualified gas installer.)
Flames lift away from burner, accompanied by the smell of gas, and possibly difficulties in lighting.	Improper air shutter adjustment.	Close air shutter slightly according to combustion air adjustment instructions. (This must be done by a qualified gas installer.)
Burner will not light with the igniter but will light with a match.	Jet-fire outlet is dirty or clogged.	Clean jet-fire outlet with a soft bristle brush.
Humming regulator.	Normal occurrence on hot days.	This is not a defect. It is caused by internal vibrations in the regulator and does not affect the performance or safety of the gas grill. Humming regulators will not be replaced.
"Paint" appears to be peeling inside lid or hood.	Grease build-up on inside surfaces.	This is not a defect. The peeling is caused by hardened grease, which dries into paint-like shards that flake off. Regular cleaning will prevent this. See cleaning instructions.
Burner output on "high" setting is too low. (Rumbling noise and fluttering blue flame at burner surface.)	Lack of gas. Supply hose is pinched. Dirty or clogged orifice. Spider webs or other matter in venturi tube.	Check gas level in propane cylinder. Reposition supply hose as necessary. Clean burner orifice. Clean out venturi tube.

KEEP YOUR RECEIPT AS PROOF OF PURCHASE TO VALIDATE YOUR WARRANTY.

Ordering Replacement Parts

Warranty Information

MODEL: _____

DATE OF PURCHASE: _____

SERIAL NUMBER: _____

(Record information here for easy reference)

For replacement parts and warranty claims, contact the Napoleon dealer where the product was purchased.

Before contacting the dealer, check the Napoleon Grills Website for more extensive cleaning, maintenance, troubleshooting and parts replacement instructions at www.napoleon.com.

To process a claim, the following information is required:

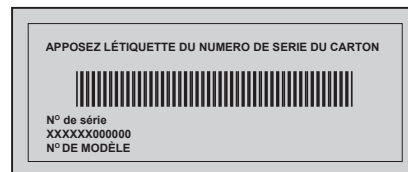
1. Model and serial number of the unit.
2. Part number and description.
3. A concise description of the problem ('broken' is not sufficient).
4. Proof of purchase (photocopy of the invoice).

In some cases, Napoleon could request to have the parts returned to the factory for inspection before providing replacement parts.

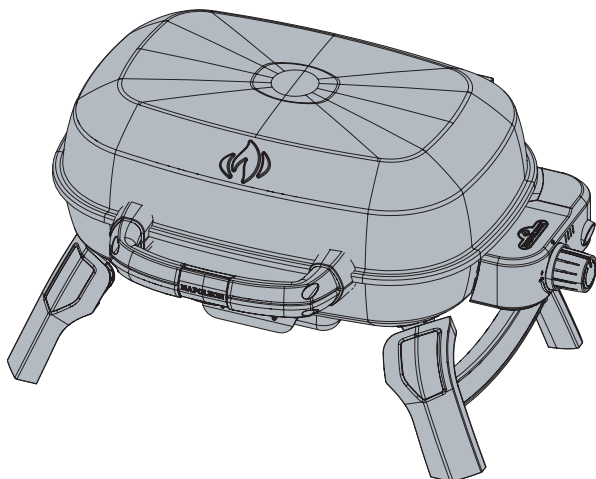
Before contacting Napoleon dealer, please note that the following items are not covered by the warranty:

- Costs for transportation, brokerage or export duties.
- Labour costs for removal and reinstallation.
- Costs for service calls to diagnose problems.
- Discolouration of stainless steel parts.
- Part failure due to lack of cleaning and maintenance, or use of improper cleaners (oven cleaner or other harsh chemicals).

Ce gril doit être utilisé uniquement à l'extérieur, dans un endroit bien aéré et ne doit jamais être utilisé à l'intérieur d'un bâtiment, d'un garage, d'un gazebo, d'une véranda avec paramoustique, ou de tout autre endroit fermé.



FR



TQ240



DANGER

SI VOUS DÉTECTEZ UNE ODEUR DE GAZ:

- Fermez l'alimentation en gaz à l'appareil.
- Éteignez toute flamme nue.
- Ouvrez le couvercle.
- Si l'odeur persiste, éloignez-vous de l'appareil et appelez immédiatement votre fournisseur de gaz ou le service des incendies.

SI UN INCENDIE DEVRAIT SE PRODUIRE:

- Tenez-vous à l'écart de l'appareil et appelez immédiatement votre service d'incendie.
- N'essayez pas d'éteindre une huile ou une graisse feu avec de l'eau.



AVERTISSEMENT

N'essayez pas d'allumer cet appareil sans lire la section des instructions «ALLUMAGE» de ce manuel.

- N'utilisez jamais cet appareil sans surveillance.
- Ne jamais faire fonctionner cet appareil à moins de 10 pieds (3,0 m) de toute structure, combustible matériau ou autre bouteille de gaz.
- Ne jamais faire fonctionner cet appareil à moins de 25 pieds (7,5 m) de tout liquide inflammable.

Le non-respect de ces instructions peut entraîner un incendie, une explosion ou un risque de brûlure pouvant entraîner des dommages matériels, des blessures corporelles ou la mort.

Les adultes et particulièrement les enfants doivent être sensibilisés aux risques que représentent les surfaces exposées à des températures élevées. Surveillez les jeunes enfants lorsqu'ils sont près du gril.

Note à l'installateur : Laissez ces instructions au propriétaire du gril pour consultation ultérieure.



Wolf Steel Ltd.
214 Bayview Drive,
Barrie, Ontario, CANADA L4N 4Y8
grills@napoleon.com

Wolf Steel Ltd.
24 Napoleon Road
Barrie, Ontario, cANADA L4M 0G8
grills@napoleon.com



www.napoleon.com

Garantie limitée à vie de 10 ans de Napoléon



Les produits NAPOLÉON sont conçus avec des composants et des matériaux de qualité supérieure, assemblés par des artisans qualifiés qui sont fiers de leur travail. Ce grill a été soigneusement inspecté par un technicien qualifié avant d'être emballé et expédié pour garantir que vous, le client, recevez le produit de qualité dont vous vous attendez de la part de NAPOLÉON.

FR

NAPOLÉON garantit que les composants de votre nouveau produit NAPOLÉON seront exempts de défauts de matériau ou de fabrication à compter de la date de l'achat, et ce, pour la durée suivante :

Couvercle et base en acier peint.....	5 ans de pleine garantie, plus 50 % de rabais jusqu'à la 10e année
Brûleurs tubulaires en acier inoxydable.....	5 ans de pleine garantie, plus 50 % de rabais jusqu'à la 10e année
Plaques de brûleur en fonte émaillée en porcelaine	5 ans de pleine garantie, plus 50 % de rabais jusqu'à la 10e année
Plaques de brûleur en acier inoxydable ou en porcelaine.....	3 ans de pleine garantie, plus 50 % de rabais jusqu'à la 10e année
Toutes les autres pièces.....	2 ans

*Conditions et limitations

La présente garantie limitée couvre une période de garantie telle que spécifiée dans le tableau ci-dessus pour tout produit acheté par l'entremise d'un détaillant autorisé NAPOLÉON et donne droit à l'acheteur d'origine à la couverture spécifiée relativement à tout composant remplacé durant la période de garantie, que ce soit par NAPOLÉON ou un détaillant autorisé NAPOLÉON, pour le remplacement de tout composant qui présente une défaillance dans le cadre d'un usage privé normal à la suite d'un défaut de fabrication. La mention « 50 % de rabais » indiquée dans le tableau signifie que le composant est mis à disposition de l'acheteur à 50 % de son prix de détail courant pour la période indiquée. La présente garantie limitée ne couvre ni les accessoires ni les articles offerts gratuitement.

Il est entendu que l'« usage privé normal » d'un produit signifie que le produit : a été installé par un technicien de service ou entrepreneur certifié, conformément aux instructions d'installation incluses avec le produit et à tous les codes d'incendie et de construction locaux et nationaux; a été entretenu correctement; et n'a pas été utilisé dans une application à usage collectif ou commercial.

De la même manière, « défaillance » n'inclut pas : la surchauffe, les extinctions causées par des conditions environnementales telles que des vents forts ou une ventilation inadéquate, les égratignures, les bosses, la corrosion, la détérioration des finis peints et plaqués, la décoloration due à la chaleur, aux nettoyeurs abrasifs ou chimiques ou à l'exposition à des rayons UV, l'écaillage des pièces en porcelaine émaillée ou les dommages causés par un mauvais usage, un accident, la grêle, des feux de graisse, un manque d'entretien, un environnement inadéquat tel que le sel ou le chlore, des altérations, des abus, des négligences ou des pièces installées par d'autres fabricants.

Dans le cas d'une détérioration des composants causant le mauvais fonctionnement de l'appareil (perforation par la rouille ou la surchauffe) pendant la période couverte par la garantie, les pièces de rechange seront fournies par NAPOLÉON. Les composants de rechange relèvent de la seule responsabilité de NAPOLÉON telle que définie par la présente garantie limitée; en aucun cas, NAPOLÉON ne saurait être tenu responsable de l'installation, de la main-d'œuvre ou de tous autres coûts ou dépenses relatifs à la réinstallation d'une pièce garantie, de tous dommages accessoires, consécutifs ou indirects ni de tous frais de transport, de main-d'œuvre ou taxes d'exportation.

La présente garantie limitée vient s'ajouter à tous les droits qui vous sont accordés par la législation locale. Par conséquent, la présente garantie limitée n'impose pas à NAPOLÉON l'obligation de garder des pièces en stock. En fonction de la disponibilité des pièces, NAPOLÉON peut, à sa discrétion, se libérer de toute obligation en fournissant à un client un crédit au prorata applicable à un nouveau produit. Après la première année, NAPOLÉON peut, à sa discrétion, se libérer entièrement de toute obligation en ce qui concerne la présente garantie limitée en remboursant à l'acheteur d'origine le prix de gros de toute pièce garantie et défectueuse.

La facture ou une copie sera requise ainsi que le numéro de série et le numéro de modèle lors d'une réclamation auprès de NAPOLÉON. NAPOLÉON se réserve le droit de demander à son représentant d'inspecter tout produit ou pièce avant d'honorer toute réclamation. Pour pouvoir bénéficier de la couverture de garantie, vous devez contacter le service à la clientèle de NAPOLÉON ou un détaillant autorisé NAPOLÉON.



www.napoleon.com



- **Cette notice contient des renseignements importants permettant un assemblage adéquat et à une utilisation sécuritaire de l'appareil.**
- **Lire et suivre toutes les mises en garde et toutes les instructions avant l'assemblage et l'utilisation de l'appareil.**
- **Suivre toutes les mises en garde et toutes les instructions lors de l'utilisation de l'appareil.**

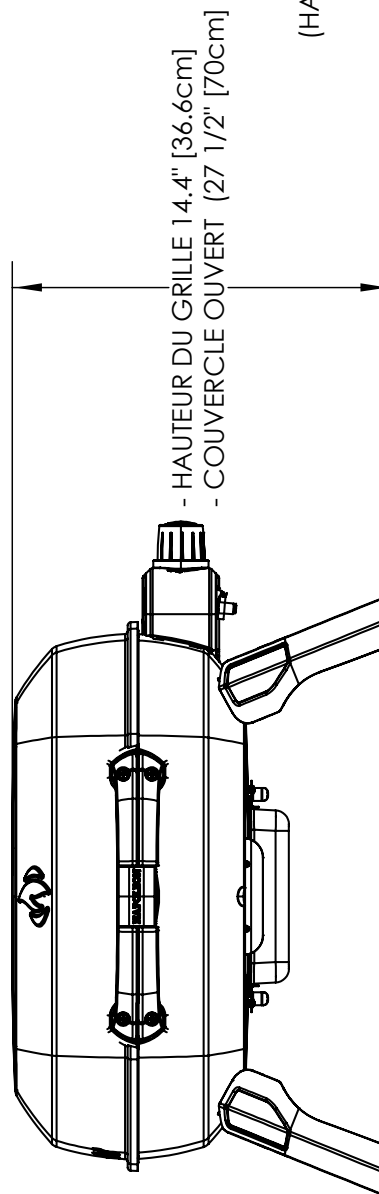
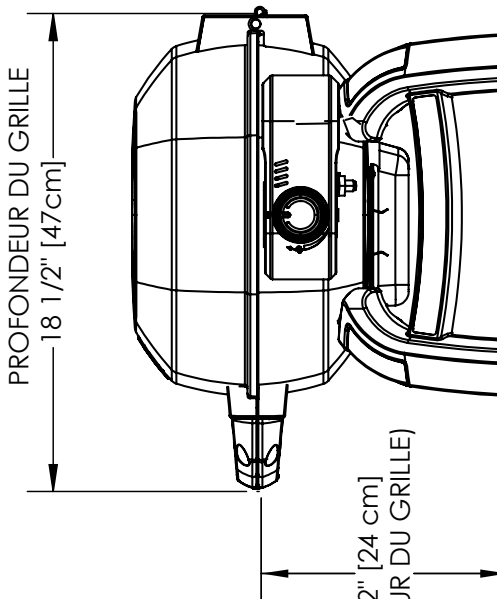
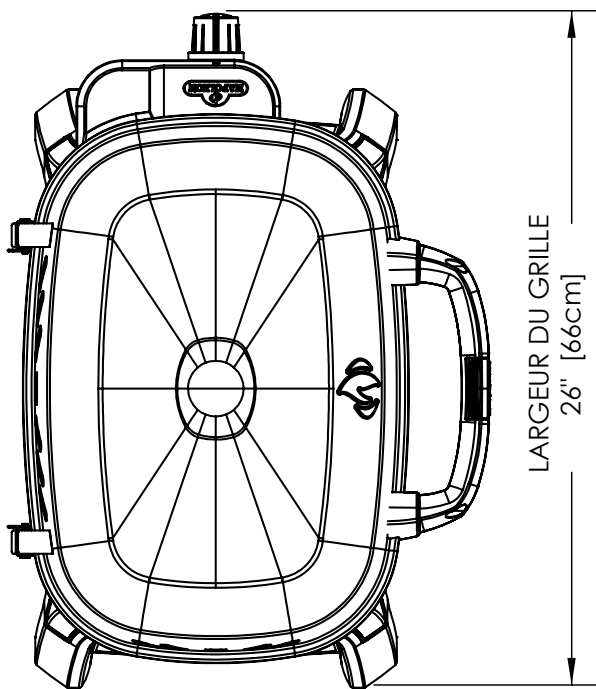
Pratiques Sécuritaires D'utilisation

- Ce gril à gaz doit être assemblé conformément aux instructions du manuel. Si le gril a été assemblé en magasin, vous devez réviser les instructions d'assemblage afin de confirmer que le gril ait été assemblé correctement et aussi pour effectuer un test de détection de fuite avant d'utiliser le gril.
- Lire le manuel d'instructions en entier avant d'utiliser le gril.
- Ce gril doit être utilisé uniquement à l'extérieur, dans un endroit bien aéré et ne doit jamais être utilisé à l'intérieur d'un bâtiment, d'un garage, un gazebo, une véranda avec paramoustique, ou de tout autre endroit fermé.
- Ne pas utiliser cet appareil sous un auvent. Le non respect de cette mesure de sécurité pourrait entraîner un incendie ou de blessures.
- Ce gril à gaz n'est pas conçu pour être installé dans ou sur des véhicules récréatifs et/ou des bateaux.
- Ce gril à gaz est conçu pour fonctionner avec le propane seulement.
- N'installez pas le gril dans un endroit venteux. Les vents forts nuiront à la performance de cuisson de votre gril.
- Ce gril ne devra être modifié en aucun cas.
- Ne pas fonctionner le gril sous une construction combustible non protégée. Respecter les dégagements recommandés aux matériaux combustibles 18" (457mm) à l'arrière du gril et 18" (457mm) sur les côtés). Un dégagement plus grand est recommandé à proximité d'un recouvrement de vinyle ou d'une surface vitrée.
- Le tuyau d'alimentation en gaz (optionnel) doit être installé de façon à ce qu'il n'entre pas en contact avec les surfaces chaudes du gril lors du fonctionnement ou lors de l'entreposage et des déplacements.
- Le cylindre de propane doit être débranché lorsque le gril à gaz n'est pas utilisé.
- Lorsque la bonbonne de propane n'est pas débranchée du gril, la bonbonne et le gril doivent être entreposés à l'extérieur, dans un endroit bien aéré.
- Lorsque le gril doit être entreposé à l'intérieur, la bonbonne de propane doit être débranchée du gril et entreposée à l'extérieur dans un endroit bien aéré, hors de la portée des enfants. Les bonbonnes de propane ne doivent en aucun temps être entreposées à l'intérieur d'un bâtiment, d'un garage ou de tout autre endroit fermé.
- Inspectez le tuyau d'alimentation en gaz avant chaque utilisation. S'il montre des signes de fendillement excessif, d'usure ou s'il est coupé, il doit être remplacé régulateur de pression et le tuyau par un ensemble de rechange spécifié par le fabricant avant d'utiliser le gril.
- Ne pas passer le tuyau d'alimentation optionnel sous le tiroir d'égouttement - le dégagement requis entre le tuyau et le fond de la cuve doit être maintenu.
- Faire un test de détection de fuites avant la première utilisation, annuellement et à chaque fois qu'une pièce du système de gaz est remplacée.
- Suivre les instructions d'allumage à la lettre lorsque vous utilisez votre gril.
- Ne pas allumer les brûleurs avec le couvercle fermé.
- La consommation d'alcool, de médicaments avec ou sans ordonnance peuvent affecter les capacités du consommateur à assembler adéquatement le gril ou de l'utiliser de façon sécuritaire.
- Ne pas laisser le gril sans surveillance lorsqu'il est allumé. En tout temps, gardez les enfants et les animaux éloignés de l'appareil.
- Ne pas déplacer le gril pendant qu'il fonctionne ou qu'il est chaud.
- Gardez les cordons électriques et les tuyaux d'alimentation en gaz éloignés des surfaces chauffantes.
- Nettoyer le tiroir d'égouttement régulièrement pour éviter les feux de graisse.
- Ne pas utiliser d'eau, de bière ou autre liquide pour contrôler les poussées de flamme.
- N'utilisez pas un pulvérisateur pour nettoyer l'appareil.
- Cet appareil n'est pas conçu pour un usage commercial.
- Ce gril à gaz n'est pas conçu et ne doit jamais être utilisé comme appareil de chauffage.

DIMENSIONS

TQ240 GRILL

9,000 BTU BRÛLEUR PRINCIPAL
DIMENSIONS DE LA GRILLE: 240 in² (1 548 cm²)
TOUS LES DIMENSIONS SONT APPROXIMATIVES



Manipuler Avec Soin



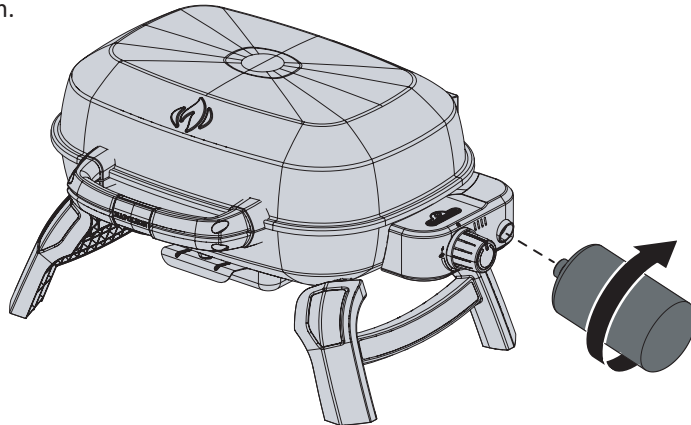
ATTENTION! Manipulez ou transportez votre gril avec soin afin de prévenir tout dommage et désalignement des composantes internes. Malgré que le gril a été conçu pour avoir une certaine mobilité, toute manipulation brusque ou de l'abus causeront des dommages aux composantes internes, nuisant ainsi au bon fonctionnement de votre gril.

Information Générale

Ce gril à gaz est certifié selon les normes Nationales Canadiennes et Américaines, CSA 1.18-2017 et ANSI Z21.89-2017 pour les grils à gaz extérieurs, son installation devrait être conforme aux codes locaux. En l'absence de codes locaux, installez selon les normes courantes CAN/CSA-B149.1 du code d'installation de Propane au Canada ou selon les normes ANSI Z223.1/NFPA 54 et ANSI/NFPA 58 du "National Fuel Gas" aux États-Unis.

Utilisez uniquement le régulateur de pression fourni avec ce gril. Les régulateurs de pression de recharge doivent être ceux recommandés ou fournis par le fabricant. Le régulateur fournit une pression de 11 pouces de colonne d'eau au gril et possède un raccord femelle de type CGA#600.

Cylindre Installation: Les bonbonnes jetables de 1 lb (.454kg) destinées pour cet appareil doivent être munies d'un raccord mâle de type CGA #600. Cette bonbonne possède un raccord qui empêche l'écoulement du gaz jusqu'à ce qu'un joint étanche soit obtenu. Pour installer la bonbonne, vissez-la simplement dans le régulateur - serrez à la main.



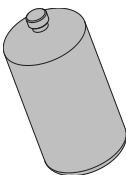
AVERTISSEMENT! N'utilisez que des bonbonnes de propane.



AVERTISSEMENT! Assurez-vous de ne pas fausser le filetage lorsque vous installez le cylindre. N'utilisez pas d'outil pour serrer le cylindre.



AVERTISSEMENT! Ne faites pas fonctionner le gril si le régulateur présente des signes de dommages causés par des impacts.



AVERTISSEMENT! Le bouchon devrait être mis en place lorsque le cylindre n'est pas utilisé afin d'empêcher la saleté et les débris de pénétrer à l'intérieur.

AVERTISSEMENT! Lisez les instructions sur le cylindre de propane avant d'utiliser. Un réservoir bosselé ou rouillé peut être dangereux. Jetez le cylindre si vous apercevez des particules de rouille ou des débris dans la zone de connexion du cylindre de propane.



AVERTISSEMENT! Proposition de la Californie 65

Ce produit peut vous exposer à des produits chimiques comme le plomb et plomb composés, qui sont connus dans l'état de Californie pour causer le cancer, et des produits chimiques, y compris le phtalate de di-n-butyle, qui sont connus du État de Californie à causer des anomalies congénitales ou d'autres troubles de la reproduction. Pour plus d'informations, visitez le site www.P65Warnings.ca.gov.

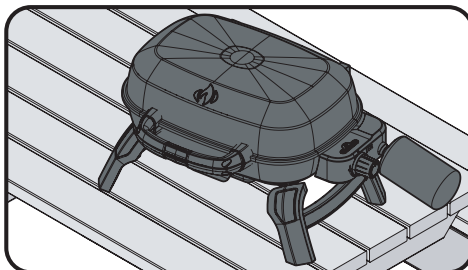
Utilisation sur une table

Cette unité a été conçue avec la mobilité à l'esprit. Grâce à ses pattes pliantes, ce gril portable peut être installé sur la plupart des tables. Les pieds se déplient et se verrouillent en place, puis se replient pour le transport.



AVERTISSEMENT! Les pattes situées de chaque côté du gril doivent être dépliées pendant l'utilisation.

AVERTISSEMENT! N'utilisez pas le gril sur des surfaces de table en plastique, en résine ou en verre.



Test De Détection De Fuites



AVERTISSEMENT! Il doit être fait avant la première utilisation, annuellement et à chaque fois qu'une pièce du système de gaz est remplacée ou réparée.



AVERTISSEMENT! N'utilisez pas une flamme nue pour vérifier pour des fuites de gaz. Assurez-vous qu'il n'y ait aucune étincelle ni flamme nue à proximité de l'endroit à vérifier. Les étincelles ou les flammes nues provoqueront un feu ou une explosion, causant des dommages matériels, des blessures graves ou des pertes de vie.



Test De Fuites: Il doit être fait avant la première utilisation, annuellement et à chaque fois qu'une pièce du système de gaz est remplacée ou réparée. Ne fumez pas et enlevez toutes sources d'allumage lorsque vous faites ce test. Consultez le schéma de test de fuites pour voir les endroits à tester.



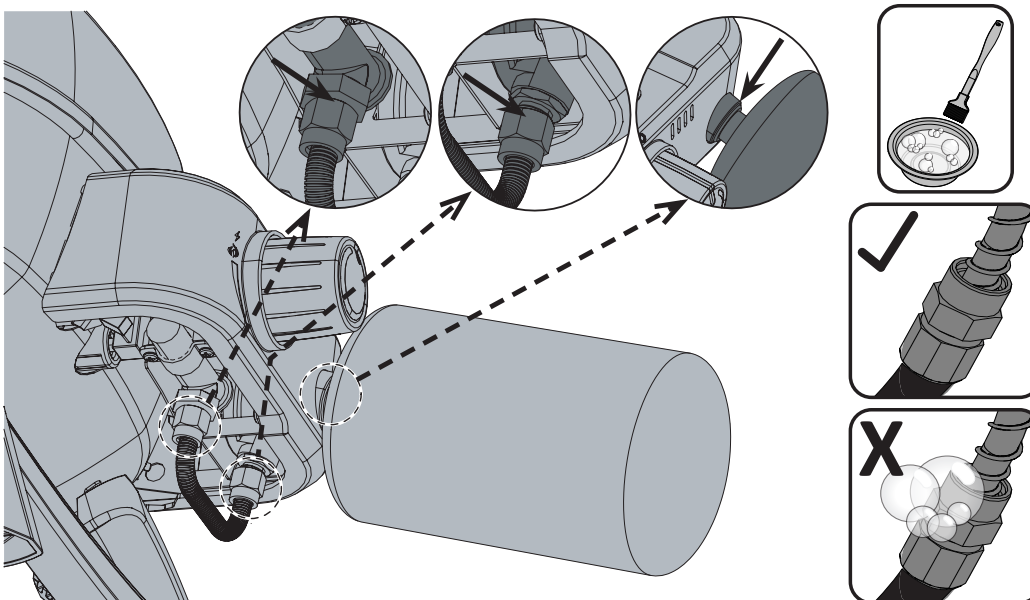
Fermez tous les boutons des brûleurs. Branchez un cylindre jetable ou ouvrez lentement la soupape d'alimentation en gaz (grand cylindre de propane)



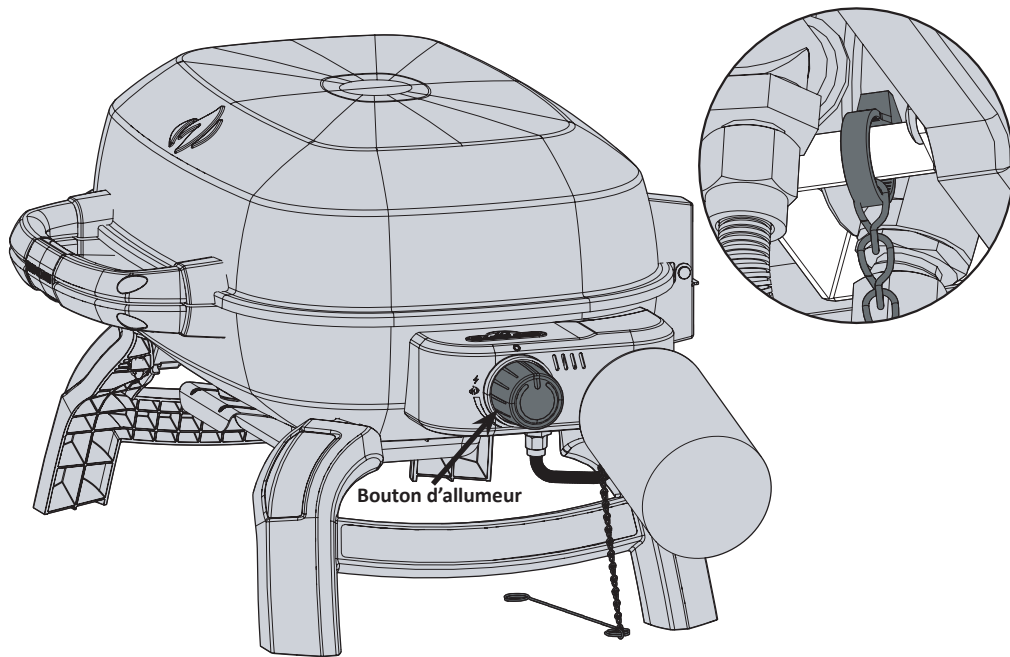
Appliquez une solution de deux parts égales de savon liquide et d'eau sur tous les joints du régulateur, le tuyau et ses raccords.

Des bulles indiqueront une fuite de gaz. Resserrez le joint ou remplacez la pièce avec une autre recommandée par le détaillant.

Si la fuite ne peut être réparée, **fermez l'alimentation de gaz à la bonbonne**, enlevez-la et faites inspecter votre gril par votre fournisseur de gaz ou détaillant. N'utilisez pas l'appareil jusqu'à ce que la fuite soit réparée.



Instruction d'allumage



FR



AVERTISSEMENT! Ouvrez le couvercle.

AVERTISSEMENT! Fermez tous les boutons de contrôle des brûleurs fermez. Branchez un cylindre jetable ou ouvrez lentement la soupape d'alimentation en gaz (grand cylindre de propane).

Allumage du brûleur principal

1. Ouvrez le couvercle.
2. Appuyez et tournez lentement un des boutons de contrôle des brûleurs principaux à « hi ». Ceci allumera le brûleur sélectionné.
3. Si le brûleur ne s'allume pas, tournez immédiatement le bouton de contrôle à « off » puis répétez l'étape 2 à plusieurs reprises.
4. Si le brûleur ne s'allume pas en moins de 5 secondes, tournez le bouton de contrôle à « off » et attendez 5 minutes pour permettre au surplus de gaz de se dissiper. Répétez les étapes 2 et 3 ou allumez avec allumette.
5. Si vous allumez l'appareil avec une allumette, fixez-la dans la tige d'allumage fournie. Tenez l'allumette allumée et abaissez-la dans le gril jusqu'en de brûleur et tournez la soupape du brûleur correspondant à "HIGH".





Instructions d'opération

AVERTISSEMENT! Ne pas utiliser cet appareil sous un auvent. Le non respect de cette mesure de sécurité pourrait entraîner un incendie ou de blessures.

DANGER! Attendre que le gril soit froid avant de le ranger. Le non respect de cette mesure de sécurité pourrait entraîner un incendie causant des dommages à la propriété, des blessures ou la mort.

Éclairage initial : Lorsqu'il est allumé pour la première fois, le gril dégagera une légère odeur. Ceci est un phénomène normal et temporaire causé par l'évaporation des peintures et lubrifiants internes utilisés dans le processus de fabrication et ne se reproduira plus. Allumez simplement les brûleurs de cuve à « élevé » pendant une demi-heure.

Utilisation Du Brûleur : Avant de cuire les aliments il est recommandé de préchauffer le gril à "high" avec le couvercle fermé pendant environ 10 minutes. Les aliments à cuisson courte (poisson, légumes) peuvent être grillés avec le couvercle ouvert. Une cuisson avec le couvercle fermé procurera des températures plus élevées et plus constantes qui réduiront la période de cuisson et cuiront la viande de façon plus égale. Les aliments qui requièrent un temps de cuisson de plus de 30 minutes, tels que les rôtis, peuvent être cuits en utilisant la méthode indirecte (avec le brûleur allumé du côté opposé à l'emplacement de la viande). Lorsque vous faites cuire des viandes très maigres, comme une poitrine de poulet ou du porc maigre, il est à conseiller de huiler les grilles de cuisson avant le préchauffage ce qui aura pour effet d'empêcher la viande de trop coller aux grilles. Le fait de cuire de la viande avec beaucoup de gras, peut causer des flambées soudaines. Il suffit alors d'enlever le gras avant la cuisson ou de réduire la température pour remédier à ce problème. En cas de flambées, éloignez les aliments de la flamme et réduisez la température. Gardez le couvercle ouvert. Pour des instructions plus détaillées, veuillez consulter le "Livre de recettes toutes saisons" de NAPOLEON.



Nettoyage

AVERTISSEMENT! Portez toujours des gants protecteurs et des lunettes de sécurité lorsque vous faites l'entretien de votre gril.

AVERTISSEMENT! Assurez-vous que les brûleurs sont éteints avant de nettoyer. Éviter tout contact avec les surfaces chaudes. Nettoyez votre gril dans un endroit où les produits de nettoyage n'endommageront pas votre patio, terrain ou terrasse. N'utilisez pas de produit de nettoyage à fourneau pour nettoyer votre gril. La sauce BBQ et le sel sont très corrosifs et causeront une détérioration très rapide de votre gril à moins que vous ne fassiez un nettoyage régulier.

Note : L'acier inoxydable a tendance à s'oxyder ou à tacher en présence de chlorures et de sulfures que l'on retrouve particulièrement dans les zones côtières ainsi que dans les environnements chauds et humides tels que les piscines et les spas. Ces taches peuvent être prises pour de la rouille mais elle peuvent être facilement enlevées et même évitées. Afin de prévenir les taches, nettoyez toutes les surfaces en acier inoxydable et en chrome toutes les trois à quatre semaines ou au besoin avec de l'eau douce et un nettoyant à acier inoxydable.

Grilles de cuisson en fonte : Les grilles de cuisson en fonte incluses avec votre nouveau gril offrent une rétention et une distribution supérieures de la chaleur. En huilant vos grilles de cuisson, vous vous trouvez à ajouter une couche de protection qui aidera les grilles à mieux résister contre la corrosion et à augmenter les caractéristiques antiadhésives.

Première utilisation : Nettoyez les grilles de cuisson à la main avec un savon à vaisselle doux et de l'eau afin d'enlever tout résidu provenant du procédé de fabrication (ne jamais laver au lave-vaisselle). Rincez bien avec de l'eau chaude et séchez complètement avec un linge doux. Ceci est important pour éviter que de l'humidité pénètre la fonte.

Entretien : À l'aide d'un linge doux, appliquez une couche de SHORTENING VÉGÉTAL à haut point de fumée sur toute la surface de la grille en vous assurant de couvrir toutes les encoches et les coins. L'huile de tournesol, d'avocat ou de canola est recommandée. N'utilisez pas de corps gras salés comme du beurre ou de la margarine. Préchauffez votre gril à 350 ° - 400 ° F (176 ° - 204 ° C). Placer les grilles enduites dans le gril. Fermer le couvercle et cuire 30 minutes. Appliquer une deuxième couche à l'aide d'une brosse en silicone et cuire encore 30 minutes. Éteignez le brûleur et fermez l'alimentation en gaz à la source. Laissez refroidir les grilles de cuisson Cette procédure doit être répétée plusieurs fois au cours de la saison toutes les 3 à 4 utilisations.

Remarque : si de la rouille s'est formée sur les grilles en fonte, nettoyez-les avec un tampon à recurer ou une brosse en laiton et répétez le processus d'assaisonnement.

Utilisation quotidienne : Avant de préchauffer et de nettoyer avec une brosse en laiton, appliquez une couche de SHORTENING VÉGÉTAL sur toute la surface des grilles. Préchauffez le gril et enlevez tous les résidus avec une brosse en laiton.

Nettoyage De L'intérieur Du Gril: Enlevez les grilles de cuisson. Utilisez une brosse en laiton pour enlever les débris non-incrustés sur les côtés de la cuve et à l'intérieur du couvercle. Nettoyez tous les débris qui se trouvent à l'intérieur du gril en les faisant tomber dans le tiroir d'égouttement.

Nettoyage Du Tiroir D'égouttement : Sortez le tiroir d'égouttement pour en faciliter le nettoyage. Il devrait être nettoyé fréquemment afin d'éviter une accumulation de graisse. La graisse et les jus de cuisson s'accumulent dans le tiroir d'égouttement qui se trouve sous le gril. L'accumulation de graisse peut créer un risque de feu. Ne tapissez jamais votre tiroir d'égouttement avec du papier d'aluminium car ceci aurait pour effet de nuire à l'approvisionnement en air nécessaire au bon fonctionnement du brûleur. Le tiroir d'égouttement devrait être gratté à l'aide d'un couteau à mastic ou d'un grattoir.



ATTENTION! Assurez-vous que le plateau d'égouttement est vide et nettoyé avant de transporter le gril à la verticale.

Nettoyage de l'extérieur du gril : N'utilisez pas de produits abrasifs pour nettoyer les pièces peintes, de fini porcelaine ou en acier inoxydable. Les éléments en porcelaine émaillée doivent être manipulés avec soin. Le fini émaillé étant cuit, il devient comme du verre; il s'ébrêchera au moindre choc. Vous pouvez vous procurer de la peinture émaillée pour les retouches chez votre détaillant Napoléon. Utilisez une solution d'eau savonneuse chaude pour nettoyer l'extérieur du gril pendant qu'il est encore tiède au toucher. Pour nettoyer les surfaces en acier inoxydable, utilisez un produit de nettoyage à acier inoxydable ou un produit de nettoyage tout usage sans abrasif. Frottez toujours dans le sens du grain. N'utilisez pas de laine d'acier car elle égratignerait le fini. Les pièces en acier inoxydable vont décolorer sous l'effet de la chaleur pour habituellement prendre une couleur dorée ou brune. Cette décoloration est normale et n'affectera pas la performance du gril.

Instructions d'entretien

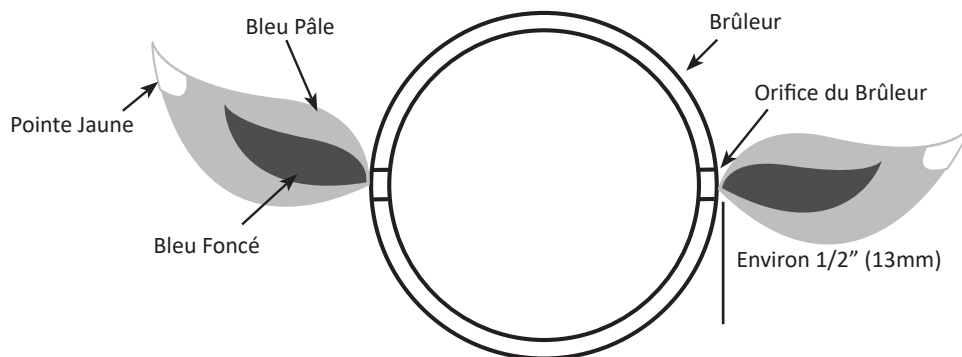
Nous vous conseillons de faire inspecter ce gril à gaz annuellement par un technicien de service qualifié.

L'emplacement du gril à gaz doit être gardé libre de tous matériaux combustibles, essence ou autres liquides et vapeurs inflammables en tout temps. Les apports d'air comburant et d'air de ventilation ne doivent pas être obstrués.



AVERTISSEMENT! Portez toujours des gants protecteurs et des lunettes de sécurité lorsque vous nettoyez votre gril.

AVERTISSEMENT! Fermez le gaz à la source et débranchez l'appareil avant l'entretien. L'entretien devrait être effectué seulement lorsque le gril est froid pour éviter toutes possibilités de brûlure. Un test de détection de fuites devrait être effectué annuellement ou à chaque fois qu'une composante de gaz est remplacée.



Ajustement De L'air De Combustion (ceci doit être effectué par un installateur qualifié): Le volet d'air est réglé à l'usine et ne devrait pas avoir besoin normalement d'être ajusté. Cependant dans des conditions exceptionnelles un ajustement peut être requis. Lorsque le volet d'air est bien ajusté, les flammes seront bleues foncées avec des pointes bleues pâles ou quelques fois jaunes.

- Si le brûleur ne reçoit pas assez d'air, les flammes seront jaunes pâles et produiront possiblement de la suie.
- Si le brûleur reçoit trop d'air, les flammes scintilleront de façon erratique et causeront possiblement des problèmes d'allumage.

Pour ajuster le volet d'air:

1. Desserrez la vis de verrouillage du volet d'air située sous le boîtier du panneau de contrôle et ouvrez ou fermez le volet d'air selon le cas. Le réglage normal pour le brûleur en tube est de 1/16" (1.5mm).
2. Allumez le brûleur et réglez-le à "high". Inspectez visuellement les flammes. Lorsque le volet est réglé, fermez le brûleur et serrez la vis de verrouillage. Prenez soin de ne pas déplacer le volet d'air en serrant la vis de verrouillage.

Brûleur : Le brûleur est fabriqué à partir d'acier inoxydable 304 de gros calibre, mais la chaleur extrême et un environnement corrosif peuvent provoquer de la corrosion de surface. Cette corrosion peut être enlevée avec une brosse en laiton.

**ATTENTION! Méfiez-vous des araignées.**

Les araignées et les insectes sont attirés par l'odeur du propane et du gaz naturel. Le brûleur est équipé d'un grillage sur le volet d'air, ce qui réduit la probabilité que des insectes se construisent des nids dans le brûleur, mais n'élimine pas complètement le problème. La présence d'un nid ou d'une toile d'araignée dans le brûleur produira une flamme jaune pâle ou orangée ou causera un feu (retour de flamme) au niveau du volet d'air sous le panneau de commande. Pour nettoyer l'intérieur du brûleur, retirez-le du gril à gaz : Enlevez la(les) vis servant à fixer le support du pont d'allumage et le brûleur à la base. Glissez le brûleur vers l'arrière et vers le haut pour le retirer. Nettoyage : Utilisez une brosse à venturi flexible pour nettoyer l'intérieur du brûleur. Secouez tous les débris hors du brûleur en les faisant sortir par l'ouverture de l'arrivée du gaz. Vérifiez si les orifices du brûleur et les orifices des soupapes sont obstrués. Les orifices des brûleurs peuvent s'obstruer au fil du temps en raison des débris et de la corrosion; utilisez un trombone déplié pour les nettoyer. Les orifices sont plus faciles à nettoyer si le brûleur est retiré de l'appareil, mais le nettoyage peut aussi être fait même si le brûleur est en place.

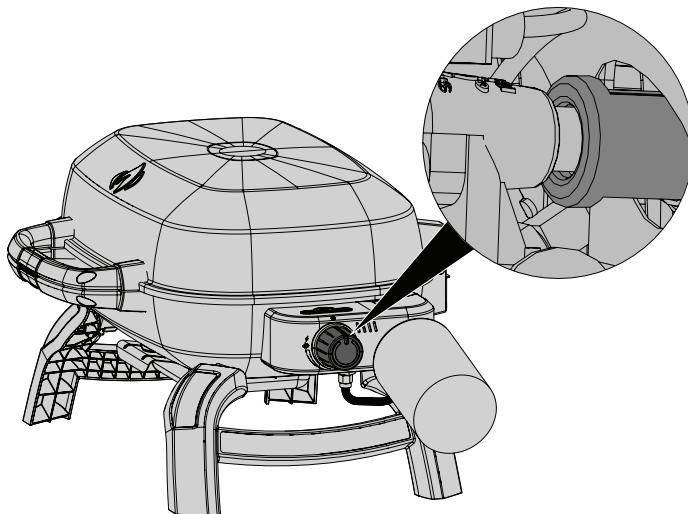
ATTENTION! Prenez soin de ne pas agrandir les trous.

Assurez-vous que le grillage contre les insectes est propre, serré et exempt de fibres ou autres débris.

Réinstallation : Inversez la procédure pour réinstaller le brûleur. Lors de l'installation, vérifiez si la soupape entre dans le brûleur. Réinstallez le support du pont d'allumage et serrez les vis pour compléter l'installation.



AVERTISSEMENT! Lors de la réinstallation du brûleur après le nettoyage, il est très important que la soupape / l'orifice entre dans le brûleur avant que vous allumiez votre gril à gaz. Si la soupape n'est pas à l'intérieur du brûleur, un feu ou une explosion pourrait survenir.



AVERTISSEMENT! Boyau (facultative): Vérifiez l'usure, coupures, craquelures ou s'il est fondu. Si vous découvrez une de ces déficiences, n'utilisez pas votre gril. Faites remplacer la pièce par votre détaillant NAPOLEON ou par un installateur qualifié.

Guide De Dépannage

Problème	Causes possibles	Solutions
Faible chaleur/petite flamme lorsque le bouton de contrôle est à "high".	Le débit du gaz est bloqué. Mauvais préchauffage. La bonbonne ne suffit pas à la demande..	Vérifiez pour des toiles d'araignée à l'intérieur du brûleur ou de l'orifice. Préchauffez le gril en allumant le brûleur à "high" pendant 5 à 10 minutes Après de longues périodes de cuisson ou lorsque la bonbonne est presque vide ou que la température extérieure est basse, les bonbonnes de 1 lb n'ont pas suffisamment de vaporisation pour permettre au propane liquide de se transformer en gaz. Installez une nouvelle bonbonne de 1 lb ou branchez le gril à une bonbonne de 20 lb.
Poussées de flamme excessives/chaleur inégale.	Mauvais préchauffage Accumulation excessive de graisse et de cendres sur le dans le tiroir d'égouttement.	Préchauffez le gril en allumant le brûleur à "high" pendant 5 à 10 minutes. Nettoyez le tiroir d'égouttement régulièrement. Ne tapissez pas le tiroir d'égouttement avec du papier d'aluminium. Consultez les instructions de nettoyage.
Les flammes produites par les brûleurs sont jaunes et vous détectez une odeur de gaz.	Possibilité de toiles d'araignée ou autres débris, ou d'un mauvais ajustement du volet d'air.	Retirez le brûleur et nettoyez-le complètement. Consultez les instructions d'entretien. Ouvrez légèrement le volet d'air tout en vous conformant aux instructions de réglage du volet d'air. (ceci doit être effectué par un installateur de gaz qualifié)
Les flammes se détachent du brûleur, accompagnées d'une odeur de gaz et possiblement une difficulté d'allumage.	Mauvais ajustement du volet d'air.	Fermez légèrement le volet d'air tout en vous conformant aux instructions de réglage du volet d'air. (ceci doit être effectué par un installateur de gaz qualifié)
Le brûleur ne s'allume pas avec l'allumeur mais s'allume avec une allumette.	La sortie de l'allumeur Jet-fire est sale ou obstruée est sale ou obstrué.	Nettoyez la sortie de l'allumeur Jet-fire avec une brosse à poils doux.
Le régulateur murmure lorsque l'appareil fonctionne.	Problème normal par temps chaud.	Ceci n'est pas un défaut. Le murmure est causé par une vibration à l'intérieur du régulateur et n'affecte en rien la performance et la sécurité du gril à gaz. Les régulateurs émettant un murmure ne seront pas remplacés.
La peinture semble peler à l'intérieur du couvercle ou de la hotte.	Accumulation de graisse sur les surfaces internes.	Ceci n'est pas un défaut. Le fini du couvercle est en acier inoxydable et ne pèlera pas. Le pelage est causé par la graisse qui durcit et sèche comme des éclats de peinture qui pèlent. Un nettoyage régulier préviendra ce problème. Consultez les instructions de nettoyage.
Le contrôle est réglé à "high" mais la chaleur générée par le brûleur est trop basse. (Grondement et flamme bleue irrégulière à la surface du brûleur.) Modèle infrarouge seulement.	Manque de gaz. Le tuyau d'alimentation en gaz est pincé. L'injecteur du brûleur est sale ou obstrué. Présence de toiles d'araignée ou autres débris dans le tube du venturi.	Vérifiez le niveau de propane dans la bonbonne. Remplacez le tuyau d'alimentation convenablement. Nettoyez l'injecteur du brûleur. Nettoyez le tube du venturi.

GARDEZ VOTRE REÇU COMME PREUVE D'ACHAT POUR VALIDER VOTRE

Commande de pièces de rechange

Information sur la garantie

MODÈLE : _____

DATE D'ACHAT : _____

NUMÉRO DE SÉRIE : _____

(Inscrivez l'information ici pour y avoir accès facilement.)

Pour commander des pièces de rechange ou faire une réclamation sous garantie, communiquez avec le détaillant Napoléon où le produit a été acheté.

Avant de contacter le détaillant Napoléon, consultez le site Web des grils Napoléon pour obtenir plus de renseignements sur le nettoyage, l'entretien, le dépannage et les pièces à www.napoleon.com

Pour qu'une réclamation soit traitée, l'information suivante est nécessaire :

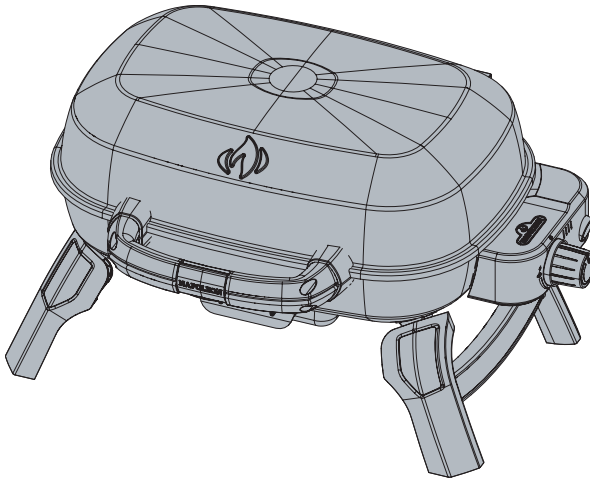
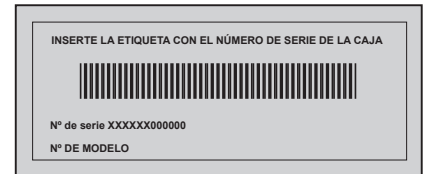
1. Modèle et numéro de série de l'appareil.
2. Numéro de la pièce et description.
3. Description concise du problème (« cassé » n'est pas suffisant).
4. Preuve d'achat (copie de la facture).

Dans certains cas, Napoléon peut vous demander de retourner la pièce à des fins d'inspection avant de fournir une pièce de rechange.

Avant de contacter le détaillant Napoléon, veuillez noter que la garantie ne couvre pas les éléments suivants :

- coûts de transport, de courtage et frais d'exportation;
- coûts de main-d'oeuvre pour l'enlèvement et l'installation de la pièce;
- coûts des appels de service pour diagnostiquer le problème;
- décoloration des pièces en acier inoxydable;
- casse des pièces causée par un manque d'entretien et de nettoyage, ou par l'utilisation de nettoyeurs inappropriés (nettoyant à fourneau ou autres produits chimiques agressifs).

Esta parrilla a gas solo debe utilizarse al aire libre en un espacio bien ventilado y no debe utilizarse dentro de un edificio, cochera, porche cubierto, gazebo o ninguna otra área cerrada.



**NO SE DESHAGA
DE ESTE DOCUMENTO**

ES

TQ240



PELIGRO

SI PERCIBE OLOR A GAS:

- Cierre el suministro de gas del dispositivo.
- Apague las llamas abiertas.
- Abra la tapa.
- Si el olor persiste, aléjese del dispositivo y llame inmediatamente a su proveedor de gas o al departamento de bomberos.

SI SE PRODUCE UN INCENDIO:

- Mantener alejado del aparato y llame inmediatamente a su departamento de bomberos.
- No intente extinguir un aceite o grasa fuego con agua.



ADVERTENCIA

No intente encender el dispositivo sin haber leído antes las instrucciones de la sección "ENCENDIDO" incluidas en este manual.

- Nunca opere este aparato sin supervisión.
- Nunca opere este aparato a menos de 10 pies (3,0 m) de cualquier estructura, combustible material u otro cilindro de gas.
- Nunca opere este aparato a menos de 25 pies (7,5 m) de cualquier líquido inflamable

No almacene ni utilice gasolina u otro fluido inflamable en las proximidades de este dispositivo. Almacene un cilindro de baja presión sin conectar en las proximidades de este dispositivo. Siga rigurosamente estas instrucciones, ya que, de lo contrario, se podría originar un incendio o producir una explosión, lo que causaría daños personales o en la propiedad, o incluso la muerte.

Aviso para el instalador: deje estas instrucciones al propietario de la parrilla para que éste pueda referirse a ellas cuando sea necesario.

Aviso para el instalador: deje estas instrucciones al propietario de la parrilla para que éste pueda referirse a ellas cuando sea necesario.



Wolf Steel Ltd.
214 Bayview Drive,
Barrie, Ontario, CANADA L4N 4Y8
grills@napoleon.com

Wolf Steel Ltd.
24 Napoleon Road
Barrie, Ontario, cANADA L4M 0G8
grills@napoleon.com



www.napoleon.com

10 años de garantía limitada de Napoleon President



Los productos Napoleon están diseñados con piezas y materiales de primera calidad y son ensamblados por expertos artesanos que se toman muy en serio su trabajo. Este producto ha sido rigurosamente inspeccionado por un técnico calificado antes de ser empaquetado y enviado a fin de asegurarle que usted, como cliente, reciba el producto de calidad que espera de NAPOLEON.

NAPOLEON garantiza que las piezas de su nuevo producto NAPOLEON no tienen defectos de material ni de fabricación y cuentan con una garantía por el periodo indicado a continuación, a partir la fecha de la compra:

Tapa de acero pintado	5 años de cobertura integral, más 50% de descuento hasta el año 10
Quemadores tubulares de acero inoxidable	5 años de cobertura integral, más 50% de descuento hasta el año 10
Rejillas de hierro fundido porcelanizado para cocinar	5 años de cobertura integral, más 50% de descuento hasta el año 10
Planchas para dorar de acero inoxidable o porcelana	3 años de cobertura integral, más 50% de descuento hasta el año 10
Todas las demás piezas	2 años

ES

*** Condiciones y restricciones**

Esta Garantía Limitada cubre un periodo de garantía, según lo especificado en la tabla antes mencionada, para cualquier producto adquirido mediante un distribuidor autorizado de NAPOLEON y le da derecho al comprador original, en el marco de la cobertura indicada relativa a cualquier pieza reemplazada en el periodo de garantía, ya sea por NAPOLEON o un distribuidor autorizado del mismo, a reemplazar una pieza de dicho producto que ha presentado fallas en el uso privado normal como resultado de un defecto de fabricación. El "descuento del 50%" indicado en la tabla significa que la pieza está disponible para el comprador con un 50% de descuento con relación al precio minorista normal de la misma para el periodo indicado. Esta Garantía Limitada no contempla accesorios ni elementos extras.

Para mayor seguridad, el "uso privado normal" de un producto se refiere a que el producto ha sido instalado por un técnico o contratista autorizado, portador de una licencia, de conformidad con las instrucciones de instalación que vienen con el producto y según todas las normas locales y nacionales de construcción y contra incendios; ha recibido el mantenimiento adecuado y no ha sido usado como un servicio comunitario ni para fines comerciales.

De igual manera, "falla" no incluye sobrecalentamiento ni reventones causados por condiciones ambientales como vientos fuertes o ventilación inadecuada, rasguños, abolladuras, corrosión, deterioro de acabados pintados o recubiertos, decoloración causada por el calor, elementos de limpieza abrasivos o químicos o exposición ultravioleta, despostillado de piezas porcelanizadas o daños causados por el mal uso, accidente, granizo, incendios provocados por grasas, falta de mantenimiento, ambientes hostiles como la presencia de sal o cloro, alteraciones, abuso, negligencia o piezas instaladas de otros fabricantes. Si ocurrieran deterioros de piezas que impidieran que el

equipo funcione (completamente oxidadas o quemadas) dentro del plazo de la cobertura de la garantía, se le proporcionará un reemplazo.

La pieza de reemplazo es la única responsabilidad de Napoleon, según lo especificado en esta Garantía Limitada, y en ningún caso NAPOLEON será responsable de la instalación, mano de obra, ni cualquier otro costo o gasto relacionado con la reinstalación de una pieza comprendida en la garantía; ni de daños adicionales, resultantes o indirectos ni de los cargos de transporte, costos de obra ni impuestos de exportación.

Esta Garantía Limitada es proporcionada adicionalmente a cualquier derecho que le otorgue la legislación local. En consecuencia, la presente Garantía Limitada no le impone la obligación a NAPOLEON de conservar piezas en stock. Sobre la base de la disponibilidad de piezas, NAPOLEON, según su criterio, se podrá eximir de su responsabilidad proporcionando al cliente un crédito proporcional para un nuevo producto. En el marco de la presente Garantía Limitada, NAPOLEON, después del primer año y según su criterio, se podrá eximir de todas las obligaciones relativas a esta garantía reembolsando al comprador original poseedor de la garantía el precio al por mayor de cualquier pieza o piezas comprendida(s) en la garantía pero defectuosa(s).

Se pedirá la factura de la compra o una copia de la misma, así como el número de serie y el número de modelo al momento de hacer cualquier reclamo de garantía a Napoleon. NAPOLEON se reserva el derecho de enviar a un representante para inspeccionar cualquier producto o pieza antes de cumplir con cualquier reclamo de garantía. Usted deberá comunicarse con el Servicio al Cliente de NAPOLEON o con un distribuidor autorizado para obtener el beneficio de la cobertura de garantía.



www.napoleon.com



- **Este manual de instrucciones contiene información importante necesaria para el montaje correcto y el uso seguro del dispositivo.**
- **Lea y siga todas las advertencias e instrucciones antes de ensamblar y usar el aparato.**
- **Siga todas las advertencias e instrucciones cuando utilice el aparato.**

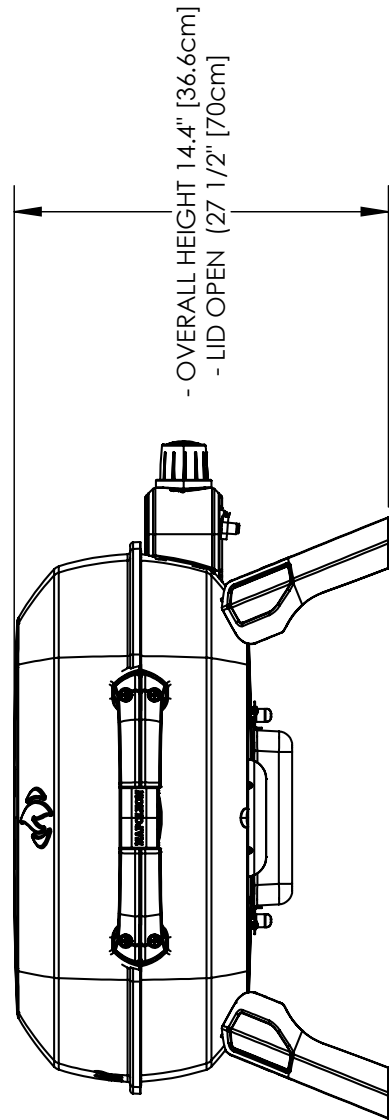
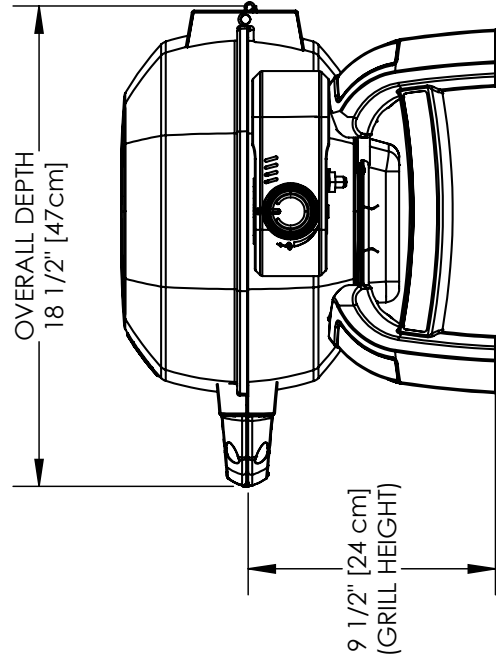
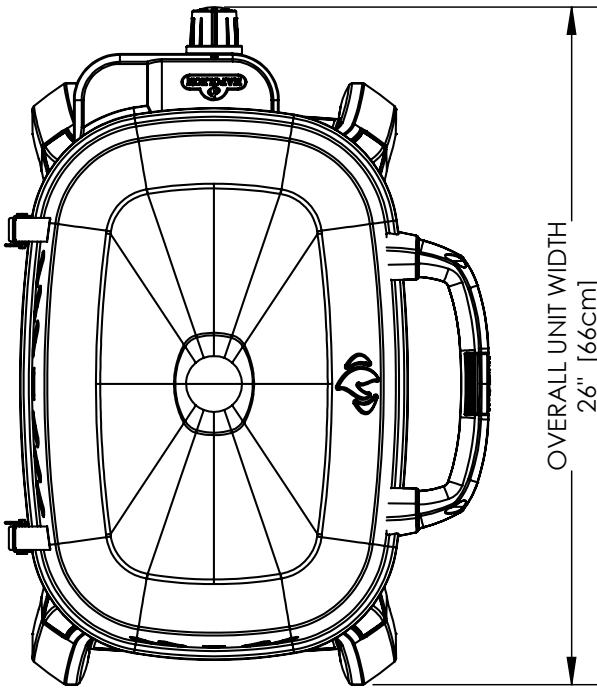
Pautas para el uso seguro del aparato

- Esta parrilla de gas debe montarse exactamente siguiendo las instrucciones del manual. Si la parrilla se guardó montada, debe revisar las instrucciones para asegurarse de que estaba bien montada y deberá realizar una prueba de fugas antes de su uso.
- Lea el manual de instrucciones complete antes del uso de la parrilla de gas.
- La presente parrilla solo debe utilizarse en el exterior, en una zona bien ventilada y no debe utilizarse dentro de garajes, interiores, porches cerrados, pérgolas o cualquier otra zona cerrada.
- Este aparato de gas está diseñado para uso con propano o butano solo.
- No ponga la parrilla en zonas con corrientes de aire. Los fuertes vientos harán que la parrilla no funcione adecuadamente.
- No se deberá modificar el aparato de gas bajo ninguna circunstancia. Las piezas montadas por el fabricante, sellas, o piezas montadas por un técnico no debe manipularlas jamás un usuario particular.
- No utilice la parrilla bajo una superficie o construcción inflamable.
- Mantenga una distancia de seguridad adecuada con piezas o materiales inflamables de por lo menos 18" (457mm) en la parte trasera y 18" (457mm) en los laterales. Se recomienda dejar más separación si tenemos cerca vinilos o hojas de cristal.
- El tubo del gas debe instalarse de modo que no toque ninguna parte o pieza caliente de la parrilla mientras esta esté en uso o mientras esté almacenada.
- El cartucho del gas debe desconectarse cuando no esté utilizando la parrilla.
- Cuando el cartucho del gas esté conectado a la parrilla, ambas deben guardarse en el exterior en una zona bien ventilada.
- Cuando guarde la parrilla en el interior, debe desconectar el cartucho del aparato y guardar el cartucho fuera en el exterior en una zona bien ventilada y fuera del alcance de los niños. No debe guardar cartuchos de gas en interiores, garajes o zonas cerradas.
- Revise el tubo del gas antes de cada uso. Si hay algún símbolo de deterioro, cortes, pliegues... deberá cambiarlo antes de utilizar la parrilla. Consulte a su proveedor para adquirir el tubo adecuado.
- Nunca guarde un cartucho de repuesto cerca o debajo de la barbacoa.
- No pase el tubo del gas por debajo de la bandeja recoge grasa, y asegúrese que esté bien separado de la base de la parrilla.
- Realice una prueba de fugas antes del primer uso, anualmente y siempre que cambie algún componente.
- Siga las instrucciones de encendido cuidadosamente antes de utilizar la parrilla.
- No encienda la parrilla con la tapa cerrada.
- Debe advertirse a adultos y especialmente a niños de que hay piezas calientes mientras se usa la parrilla y hasta su completo enfriado. Los niños deben de estar siempre vigilados mientras la parrilla esté en uso.
- No deje la parrilla desatendida mientras esté en uso.
- No mueva la parrilla mientras esté en uso o caliente.
- Mantenga cualquier cable eléctrico o tubo del gas alejado de piezas calientes.
- Asegúrese de que los vaporizadores (si los llevase) estén bien colocados.
- Limpie la bandeja recoge grasa y los vaporizadores (si los llevase) periódicamente para evitar que se incruste la grasa, la cual provocaría llamaradas y un deterioro rápido de las piezas.
- No utilice agua, cerveza u otros líquidos para controlar las llamaradas.
- No utilice un limpiador a presión para limpiar ninguna pieza ni parte de la parrilla.
- Esta parrilla no está prevista para uso comercial
- Esta parrilla no está prevista ni deberá nunca utilizarse como un calentador.

DIMENSIONES

TQ240 GRILL

9,000 BTU MAIN BURNER
GRILL SIZE: 240 in² (1,548 cm²)
ALL DIMENSIONS ARE APPROXIMATE



Manipule con Cuidado



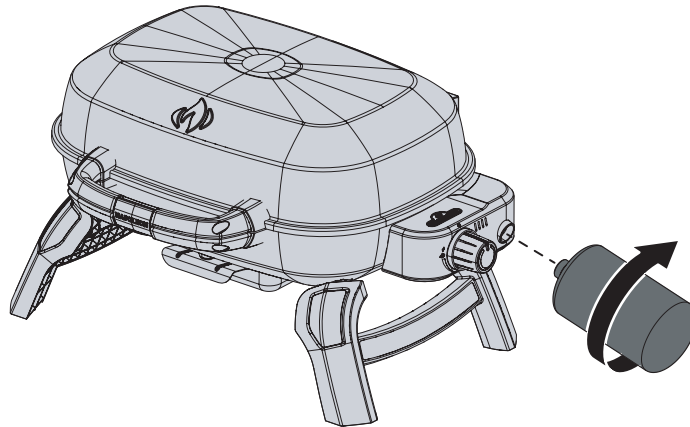
¡ATENCIÓN! Vaya con cuidado cuando utilice o mueva su barbacoa para evitar daños y que componentes interiores se muevan o salgan de su sitio. A pesar de que esta barbacoa se ha diseñado para moverse, una manipulación inadecuada o sin cuidado podría dañar las piezas interiores, haciendo que luego no funcione bien. Trátela con cuidado para asegurarse su correcto funcionamiento.

Información General

Esta barbacoa de gas está certificada según las normas nacionales canadienses y estadounidenses, CSA 1.6-2018 y ANSI Z21.58-2018 respectivamente para parrillas de gas para exteriores y debe instalarse de acuerdo con los códigos locales. En ausencia de códigos locales, instale según el Código de instalación de propano CAN/CSA-B149.1 actual en Canadá o según el Código nacional de gas combustible, ANSI Z223.1/NFPA 54 y ANSI/NFPA 58 en los Estados Unidos.

Utilice únicamente el regulador de presión proporcionado con esta barbacoa. Los reguladores de presión de repuesto deben ser suministrados o especificados por el fabricante. El regulador suministra una presión de 11 pulgadas de columna de agua a la parrilla de gas y tiene un accesorio tipo CGA#600 hembra.

Instalación del cilindro: Los cilindros desechables de 1 lb (0,454 kg) que se utilizarán con esta unidad deben estar equipados con una conexión tipo CGA #600 macho. Este cilindro tiene una conexión de asiento positivo, que no permitirá el flujo de gas hasta que se logre un sello positivo. Para instalar el cilindro, simplemente atorníllelo en el regulador; apriete con la mano.



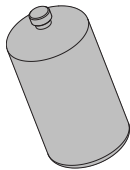
¡ADVERTENCIA! Use cilindros que estén marcados como “combustible de propano” únicamente.



¡ADVERTENCIA! Tenga cuidado de no cruzar la rosca al instalar el cilindro. No utilice herramientas para apretar el cilindro.



¡ADVERTENCIA! No opere la parrilla si el regulador muestra signos de daño por impacto.



¡ADVERTENCIA! La tapa antipolvo debe estar en su lugar cuando el cilindro de propano no esté en uso para evitar que entre suciedad y desechos.

¡ADVERTENCIA! Review instructions on propane cylinder prior to using. A dented or rusted cylinder may be hazardous. Discard cylinder if rust particles or debris are in the connection area of the propane cylinder.



¡ADVERTENCIA! **Proposición 65 de California:** Este producto puede exponerlo a sustancias químicas que incluyen plomo y compuestos de plomo, que el estado de California sabe que causan cáncer, y sustancias químicas que incluyen di-n-butil ftalato, que el estado de California sabe que causan cáncer, defectos u otros daños reproductivos. Para obtener más información, visite www.P65Warnings.ca.gov.

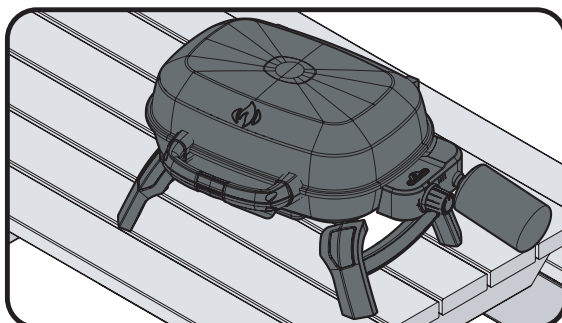
Uso Sobre una Mesa

El unit está diseñado para moverse. Con las patas plegables, el unit colocarse en la mayoría de mesas. Las patas se pliegan y se bloquean, volviéndolas a colocar en su posición cuando se vaya a desplazar.



¡ADVERTENCIA! Las patas de cada lateral de la barbacoa no deberán desplegarse mientras la barbacoa esté en uso.

¡ADVERTENCIA! No utilice la barbacoa sobre mesas de plástico, resina o cristal.



ES

Instrucciones Para Realizar Pruebas de Fugas



ADVERTENCIA! Las pruebas de fugas se deben realizar anualmente, cada vez que el cilindro se conecta o al sustituir una pieza del sistema de gas.



ADVERTENCIA! No utilice nunca una llama abierta para comprobar las fugas de gas. Asegúrese de que no hay chispas ni llamas abiertas en la zona mientras realiza una prueba de fugas. Las chispas o las llamas abiertas producirán un incendio o una explosión, daños en la propiedad, heridas graves o incluso la muerte.



Prueba de fugas: Pruebe la unidad frente a fugas antes de utilizarla por primera vez, anualmente y siempre que sustituya o realice tareas de mantenimiento en alguna de los componentes del sistema de gas. No fume mientras realiza esta prueba y retire todas las fuentes de ignición. Consulte el diagrama de prueba de fugas para ver las zonas que es preciso comprobar. Sitúe los controles de todos los quemadores en posición de apagado (OFF). Active la válvula de suministro de gas.

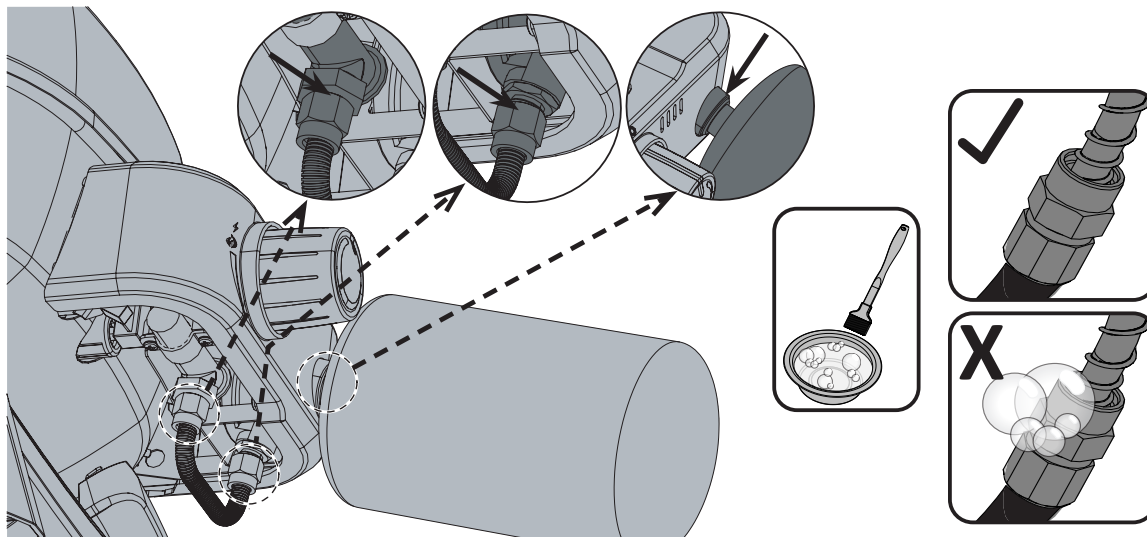


Con una solución de jabón líquido y agua al 50%, lave todas las juntas y conexiones del regulador, el tubo, los mandos y las válvulas.

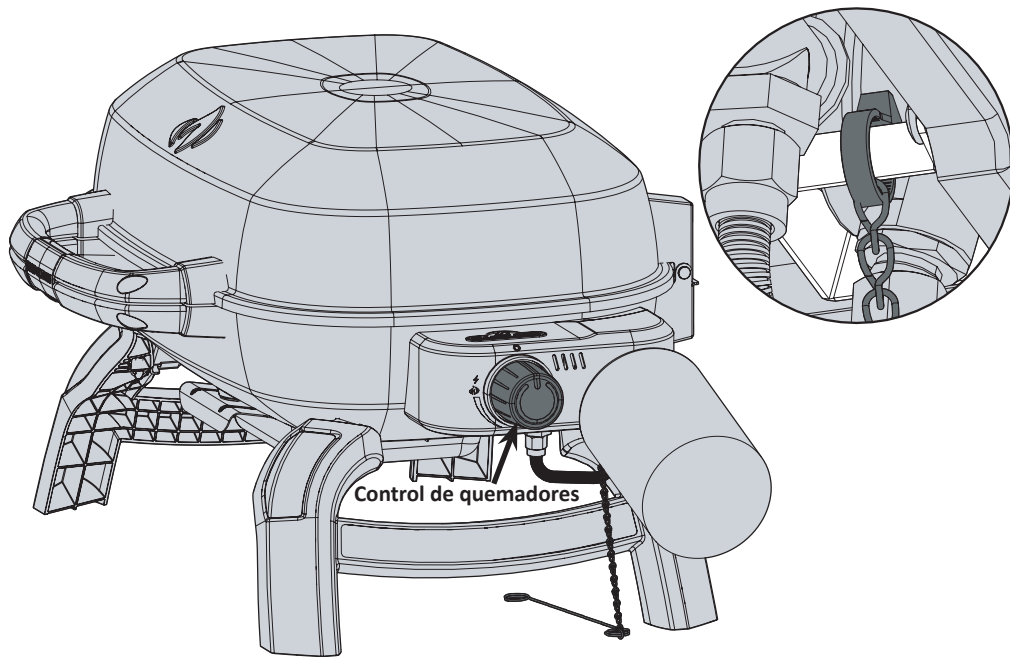


La presencia de burbujas indicará la existencia de una fuga de gas. Apriete la junta floja o sustituya la pieza por una recomendada por el departamento de atención al cliente de Napoleon y solicite a un instalador de gas certificado que realice una inspección de la parrilla.

Si la fuga no se detiene, apague inmediatamente el suministro de gas, desconéctelo y solicite a un instalador o proveedor de gas certificado que realice una inspección de la parrilla. No utilice la parrilla hasta que se haya corregido la fuga.



Instrucciones de Encendido



¡ADVERTENCIA! Abra la tapa.

¡ADVERTENCIA! Asegúrese de que los mandos están en la posición off. Conecte a una bombona desechable.

Encendido del Quemador Principal

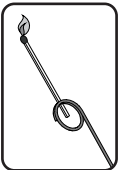
1. Abra la tapa

2. Pulse y gire los mandos de los quemadores principales a la posición "hi". Esta acción encenderá el quemador seleccionado.

3. Si el quemador no se enciende, gire el mando enseguida a la posición "off" y repita el paso 2 varias veces.

4. Si tras 5 segundos el quemador no se enciende, gire el mando a la posición "off" y espere 5 minutos para que se disperse el gas y repita los pasos 2 y 3 o encienda con una cerilla

5. Si enciende la barbacoa con una cerilla, engánchela al soporte suministrado. Introduzca la cerilla encendida en la barbacoa hacia el quemador mientras gira el mando pertinente a la posición high.



Instrucciones Para Cocinar



¡ADVERTENCIA! No utilice la barbacoa bajo toldos desplegados. Si no sigue estas indicaciones podría sufrir daños personales u ocurrir un incendio.



¡PELIGRO! No guarde la barbacoa o la traslade inmediatamente tras su uso. Deje que la barbacoa se enfríe completamente antes de moverla o guardarla. El no seguir estas pautas puede provocar un incendio, daños personales o incluso la muerte.

Encendido inicial: cuando se enciende por primera vez, la parrilla a gas emite un ligero olor. Este olor es normal y se debe al “quemado inicial” de las pinturas y los lubricantes internos utilizados en el proceso de fabricación. La próxima vez que utilice la parrilla no notará este olor. Simplemente deje los quemadores principales en posición de fuego alto (HIGH) durante aproximadamente media hora.

Uso del quemador principal: cuando ase comida, le recomendamos que precaliente la barbacoa poniendo todos los mandos a la posición high con la tapa cerrada durante unos 10 minutos. Los alimentos que necesiten poco tiempo de cocción pueden asarse con la tapa abierta (pescados, verduras). Cocinar con la tapa cerrada nos asegura que se alcancen temperaturas más elevadas y por tanto la reducción de los tiempos de cocción y que la carne se cocine más intensamente. Los alimentos que necesiten más de 30 minutos de cocción, como asados, pueden cocinarse indirectamente (con el quemador encendido contrario a la zona dónde esté la comida). Cuando se cocinen carnes más magras o carne de cerdo magra, deberá untar las parrillas con aceite y precaliente las parrillas para evitar que se pegue. Si cocina carnes con un alto grado de grasa, tenga en cuenta que habrá llamaradas. Retire parte de la grasa o reduzca la temperatura para evitar las llamaradas. Si hubiese alguna llamarada de todos modos, retire la comida del fuego y baje los mandos para reducir la temperatura. Deje la tapa abierta. Consulte el libro de cocina Su barbacoa para todo el año de Napoleon para instrucciones más detalladas.

ES

Instrucciones de Limpieza



ADVERTENCIA! Utilice siempre guantes de protección y gafas de seguridad cuando se disponga a limpiar la parrilla.



ADVERTENCIA! Para evitar la posibilidad de que se produzcan quemaduras, realice las tareas de mantenimiento de la parrilla sólo cuando el dispositivo esté frío. Evite entrar en contacto con las superficies calientes sin contar con la protección adecuada. Asegúrese de que todos los quemadores están apagados. Limpie la parrilla en un área en la que las soluciones de limpieza no puedan dañar cubiertas, césped o patios. No utilice limpiador para hornos para limpiar ninguna pieza de la parrilla a gas. No utilice un horno autolimpiador para limpiar las rejillas de cocción o cualquier otra pieza de la parrilla a gas. La salsa y la sal de barbacoa pueden resultar corrosivas y deteriorar rápidamente los componentes de la parrilla a gas, a no ser que se limpie con regularidad.



Nota: el acero inoxidable tiende a oxidarse o mancharse en presencia de cloruros y sulfuros, especialmente en áreas costeras y otros entornos hostiles, como los ambientes cálidos y altamente húmedos cerca de las piscinas y jacuzzis. Estas manchas se podrían percibir como óxido, pero se pueden eliminar o evitar fácilmente. Para evitar y eliminar estas manchas, lave todas las superficies de acero inoxidable cada 3-4 semanas, o con la frecuencia que sea necesaria, con agua dulce y/o un limpiador de acero inoxidable.

Parrillas de hierro fundido: las parrillas de hierro fundido que incluye su nueva barbacoa ofrecen una distribución y retención del calor mayor. Untando regularmente las parrillas con un poco de aceite les aporta una protección adicional, la cuál les ayudará a resistir mejor a la corrosión y aumentará sus posibilidades antiadherentes.

Para el primer uso: lave las parrillas a mano con un poco de jabón y agua para retirar los residuos del proceso de fabricación (nunca las ponga dentro del lavaplatos). Lávelas bien con agua caliente y séquelas con un trapo limpio y suave. Esto es algo muy importante para evitar que la humedad entre dentro del hierro fundido.

Untado de aceite: utilizando un trapo suave, ponga un poco de grasa vegetal (aceite) por la superficie de las parrillas y úntela por todas partes, incluidas las esquinas y huecos. No utilice grasas con sal tipo margarina o mantequilla. Precaliente la barbacoa durante 15 minutos, luego ponga las parrillas en la barbacoa. Ponga los mandos a temperatura media y cierre la tapa. Deje que las parrillas se calienten durante más o menos media hora. Apague los quemadores poniendo los mandos en la posición “Off” y cierre el gas. Deje las parrillas en la barbacoa hasta que se enfríen. Este proceso puede repetirse varias veces durante la temporada, y no hace falta hacerlo en cada uso (siga las indicaciones para uso diario).

Uso diario: Antes de pre-calentar la barbacoa y limpiarla con un cepillo metálico, unte las parrillas con una grasa vegetal (aceite). Precaliente la barbacoa y cepille los residuos que haya.

Limpieza del interior de la barbacoa: Reitre las parrillas. Utilice un cepillo con cerdas metálicas para retirar los restos sueltos de comida y grasa de los laterales de la cubeta y por debajo de la tapa. Cepille todos los restos de suciedad de dentro de la barbacoa y de la bandeja recoge-grasa.

Bandeja colectora: La acumulación de grasa presenta riesgo de incendio. Limpie la bandeja colectora con frecuencia para evitar la acumulación de grasa. La grasa y el exceso de restos llegan a la bandeja colectora que se ubica debajo de la parrilla a gas y se acumulan. Para limpiar, deslice la bandeja colectora hacia afuera de la parrilla. Nunca cubra la bandeja colectora con papel de aluminio, arena o cualquier otro material ya que esto podría impedir el flujo adecuado de la grasa. Debe desprender la suciedad de la bandeja con una espátula o raspador.



¡PRECAUCIÓN! Asegúrese de que la bandeja de goteo esté vacía y limpia antes de transportar la parrilla en posición vertical.

Limpieza de la superficie exterior de la parrilla: no utilice limpiadores abrasivos ni estropajo en piezas pintadas, de porcelana o acero inoxidable de la parrilla Napoleon. De lo contrario, rayará el acabado de la unidad. Limpie las superficies exteriores de la parrilla con agua templada y jabón mientras el metal está aún caliente al tacto. Para limpiar superficies de acero inoxidable, utilice un limpiador de acero inoxidable o no abrasivo. Aplique siempre el limpiador en la dirección del grano. Con el tiempo, las piezas de acero inoxidable se decoloran con el calor, adquiriendo normalmente un tono dorado o marrón. Esta decoloración es normal y no afecta al rendimiento de la parrilla. Los componentes esmaltados de porcelana se deben tratar con especial cuidado. El acabado de esmalte horneado es similar al vidrio, por lo que se picará si sufre un golpe. Puede solicitar esmalte para retoques a su proveedor de la parrilla Napoleon.

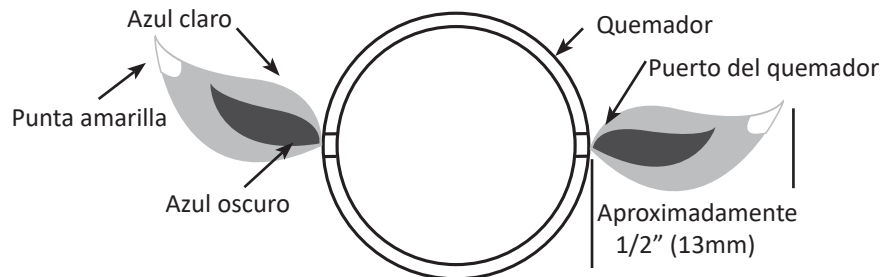
Instrucciones de Mantenimiento

Se recomienda que el mantenimiento y la inspección cuidadosa anual de la parrilla a gas se realicen por una persona calificada.

Siempre mantenga la parrilla a gas en un lugar lejos de materiales combustibles, gasolina u otros vapores inflamables y líquidos. No obstruya el flujo de aire de combustión y ventilación.

ADVERTENCIA! Utilice siempre guantes de protección y gafas de seguridad cuando se disponga a limpiar la parrilla.

ADVERTENCIA! Cierre la fuente gas y desconecte la unidad antes de proceder a realizar las tareas de mantenimiento. Para evitar la posibilidad de que se produzcan quemaduras, realice el mantenimiento de la parrilla sólo cuando el dispositivo esté frío. Compruebe la presencia de fugas en la unidad una vez al año, cuando sustituya alguno de los componentes del sistema de gas o cuando note olor a gas.



Ajuste del aire de combustión: (Esto debe hacerlo un instalador de gas calificado). El obturador de aire se configura en la fábrica y no debería necesitar ajuste en condiciones normales. En condiciones de campo extremas, es posible que se requieran ajustes. Cuando el obturador de aire está correctamente ajustado, las llamas serán de color azul oscuro, con puntas de color azul claro y ocasionalmente amarillas.

Con muy poco flujo de aire hacia el quemador, las llamas son de color amarillo perezoso y pueden producir hollín.

Con demasiado flujo de aire, las llamas se elevan erráticamente y pueden dificultar el encendido.

Ajuste del obturador de aire:

1. Afloje el tornillo de bloqueo del obturador de aire, ubicado debajo del panel de control, y abra o cierre el obturador de aire según sea necesario. El ajuste normal para el quemador tubular es 1/16" (1,5 mm).
2. Encienda el quemador y colóquelo en alto. Inspeccione visualmente las llamas del quemador. Cuando las persianas estén ajustadas, apague el quemador, apriete el tornillo de bloqueo. Asegúrese de que el obturador de aire no se mueva cuando apriete el tornillo.

Quemador: El quemador está fabricado con acero inoxidable 304 de alta calidad, pero el calor excesivo y los restos corrosivos pueden hacer que se oxide su superficie. Este óxido puede retirarse con un cepillo metálico.



¡PRECAUCIÓN! Cuidado con las arañas.

Las arañas e insectos se sienten atraídos por el olor del propano y del gas natural. El quemador está provisto de una pantalla antiinsectos en la salida del aire, la cual reduce el posible paso de insectos y que hagan nidos dentro de los quemadores pero no evita que exista completamente esta posibilidad. Una tela de araña o nido de insecto puede hacer que un quemador no haga una correcta combustión y que haya una llama amarilla o naranja o causar llamaradas o retrocesos del gas por debajo del panel de control. Para limpiar el interior de los quemadores, debe retirarlos de la barbacoa: Retire los tornillos que los fijan a la cruceta de soporte y saque el quemador desde la base. Empuje un poco el quemador hacia atrás, levántelo y sáquelo. Limpieza: Utilice un cepillo flexible para limpiar los tubos por dentro. Agítelo para que caigan los restos que haya sueltos por dentro. Compruebe los agujeros de los quemadores y con un alambre repáselos todos para desobstruirlos. Esto se hace mejor con el quemador quitado pero también lo podría hacer con los quemadores puestos.



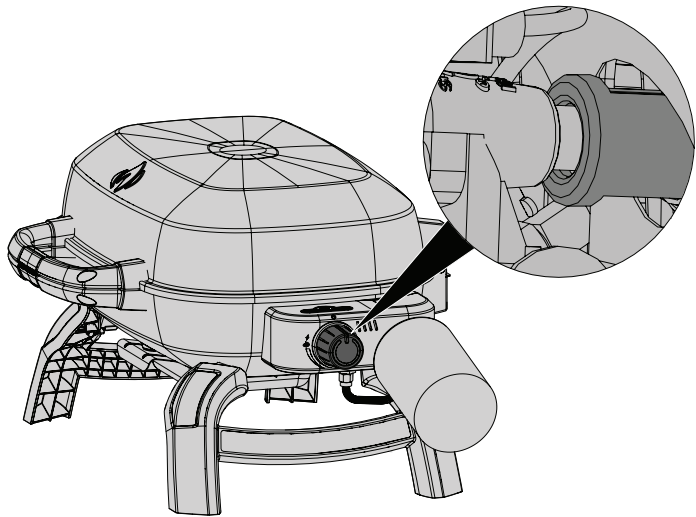
¡PRECAUCIÓN! Vaya con cuidado de no hacer más grandes los agujeros al limpiarlos.

Asegúrese de que la pantalla antiinsectos esté limpia, bien puesta y libre de suciedad y restos.

Reinstalación: Vuelva a repetir el proceso de desmontaje a la inversa para colocar los quemadores en su lugar. Compruebe que la válvula entra dentro del quemador al montarlo. Atornille para terminar la instalación.



ADVERTENCIA! Al reinstalar el quemador tras su limpieza, es muy importante que la válvula / el orificio penetre en el tubo del quemador antes de encender la parrilla a gas. Si la válvula no está dentro del tubo del quemador podría producirse un incendio o una explosión.



ADVERTENCIA! Conector flexible: examine el conector flexible para comprobar que no presenta abrasiones, zonas fundidas, cortes o grieta. Si encuentra alguno de estos defectos, no utilice la parrilla a gas. Solicite a su proveedor de la parrilla Napoleon o un instalador de gas cualificado que sustituya la pieza.

Problemas de Encendido

Problema	Posibles causas	Solución
Temperatura baja/ baja llama cuando el mando está al máximo	Bloqueo de gas. Precalentamiento incorrecto Bombona helada	Compruebe si hay arañas en los quemadores Precaliente la barbacoa con los dos quemadores principales entre 5 y 10 minutos. Cuando cocine durante largos periodos de tiempo o cuando la bombona esté vacía, o las temperaturas exteriores sean bajas, las bombonas pequeñas no tienen suficiente para permitir que el líquido propano se convierta en vapor.
Llama excesiva/ calor irregular	Precalentamiento mal realizado Exceso de grasa y/o cenizas sobre el vaporizador y bandeja recoge grasa	Precaliente la barbacoa con los dos quemadores principales entre 5 y 10 minutos. Limpie tanto los vaporizadores como la bandeja recoge grasa regularmente. No cubra la bandeja con papel de aluminio. Consulte las instrucciones de limpieza.
La llama de los quemadores es amarilla y huele a gas	Posible tela de araña u otras suciedades o mala regulación de la entrada del aire	Limpie bien los quemadores retirándolos. Consulte las instrucciones de mantenimiento generales. Abra un poco el obturador del aire según las indicaciones para ajustar la combustión (debe realizarlo un instalador cualificado)
Las llamas se van y huele a gas, y cuesta encender.	Mal ajuste de la entrada de aire	Cierre un poco la entrada del aire siguiendo las instrucciones de ajuste del aire (deberá hacerlo personal cualificado)
El quemador no se enciende con el encendido pero sí con una cerilla	Los agujeros de los quemadores están sucios u obstruidos	Limpie bien todos los agujeros con una varilla o pincho metálico.
Regulador de zumbido.	Ocurrencia normal en días calurosos.	Esto no es un defecto. Es causado por vibraciones internas en el regulador y no afecta el rendimiento ni la seguridad de la parrilla de gas. Los reguladores de zumbido no serán reemplazados.
Parece que se esté soltando la "pintura" de la tapa	Grasa incrustada en el interior de la barbacoa	No se trata de un defecto sino que lo causan las vibraciones internas y no afecta al funcionamiento o seguridad de la barbacoa de gas. Estos reguladores no se cambiarán.
La salida del quemador en la posición "high" es muy baja. (Ruido en el quemador y llama azul sobre la superficie del quemador.)	Falta de gas El tubo del gas está pinzado. Orificios sucios u obstruidos. Telas de araña u otras suciedades en los tubos venturi	Compruebe el nivel del gas de la bombona de propano. Cambie el tubo del gas si hace falta Limpie los orificios del quemador Limpie el tubo venturi.

CONSERVE SU FACTURA COMO PRUEBA DE COMPRA PARA VALIDAR SU GARANTÍA.

Solicitud para cambio de piezas

Información de la garantía

MODELO: _____

FECHA DE COMPRA: _____

NÚMERO DE SERIE: _____

(Registre la información aquí para poder recurrir a ella fácilmente cuando lo necesite)

Contacte a su distribuidor local directamente (consulte la lista de distribuidores adjunta a su asador) para solicitar un cambio de cualquier pieza o consultar garantías.

Antes de ponerse en contacto con el departamento de soluciones al cliente, consulte el sitio Web de Napoleon para obtener instrucciones más detalladas sobre limpieza, mantenimiento, solución de problemas y recambio de piezas: www.napoleon.com

Para procesar una reclamación, necesitamos que nos proporcione la siguiente información:

1. Modelo y número de serie de la unidad.
2. Número y descripción de la pieza.
3. Descripción precisa del problema ("roto" no es suficiente).
4. Prueba de compra (fotocopia de la factura).

En determinados casos, el representante de atención al cliente podrá solicitar que las piezas sean devueltas a la fábrica para su inspección antes de proporcionar las piezas de recambio.

Antes contactar a Aervicio al Cliente, tenga en cuenta que la garantía no cubre los siguientes costos:

- Costos de transporte, rotura o impuestos de exportación.
- Costos de mano de obra para extracción y reinstalación.
- Costos de llamadas de servicio para diagnosticar problemas.
- Decoloración de las piezas de acero inoxidable.
- Fallo de las piezas por falta de limpieza y mantenimiento, o uso no adecuado de limpiadores (limpiador de hornos).

Part List / Liste Des Pièces / Lista de partes

Item / Article	Part # / Pièce #	Description	TQ240
1	N010-1509-SER	Lid assembly /ensemble couvercle / montage de la tapa	x
	N010-1509-GT-SER	Graphite Grey Lid assembly / gris ensemble couvercle / Conjunto de tapa gris grafito	x
	N010-1509-RD-SER	Red Lid assembly / rouge ensemble couvercle / montage de la tapa roja	x
2	N305-0137-BK2FL	Cast iron left cooking grid / grille de cuisson gauche / Rejilla de cocción izquierda de hierro fundido	x
3	N305-0138-BK2FL	Cast iron right cooking grid / grille de cuisson droit / Rejilla de cocción derecha de hierro fundido	x
4	N010-1512-SER	Assembly handle top / ensemble poignée supérieur / Asa de montaje superior	x
5	N010-1511-SER	Burner assembly / ensemble brûleur / Montaje del quemador	x
6	N010-1510-SER	Base assembly /ensemble base / Ensamblaje base	x
	N010-1510-GT-SER	Grey base assembly / gris ensemble base / Conjunto de base gris	x
	N010-1510-RD-SER	Red base assembly / rouge ensemble base / conjunto base roja	x
7	N010-1513-SER	Assembly handle bottom /ensemble poignée inférieur / Parte inferior del mango de montaje	x
8	N010-1515-SER	Assembly control panel / ensemble panneau de contrôle / panel de control de montaje	x
9	N010-1514-SER	Assembly leg / ensemble jambe / Pata de montaje	x
10	N710-0079	Drip pan / tiroir d'égouttement / Bandeja de goteo	x
11	N380-0042	Control knob / bouton de contrôle / Perilla de control	x
12	N555-0097	Lighting rod / tige d'allumage / encender varilla	x
	62006	replacement grease tray (5) / bac à graisse de remplacement (5) / bandeja de grasa de repuesto (5)	ac

x - standard

p - propane only

x - compris

p - appareils propane seulement

x - estándar

p - solo propano

ac - accessories

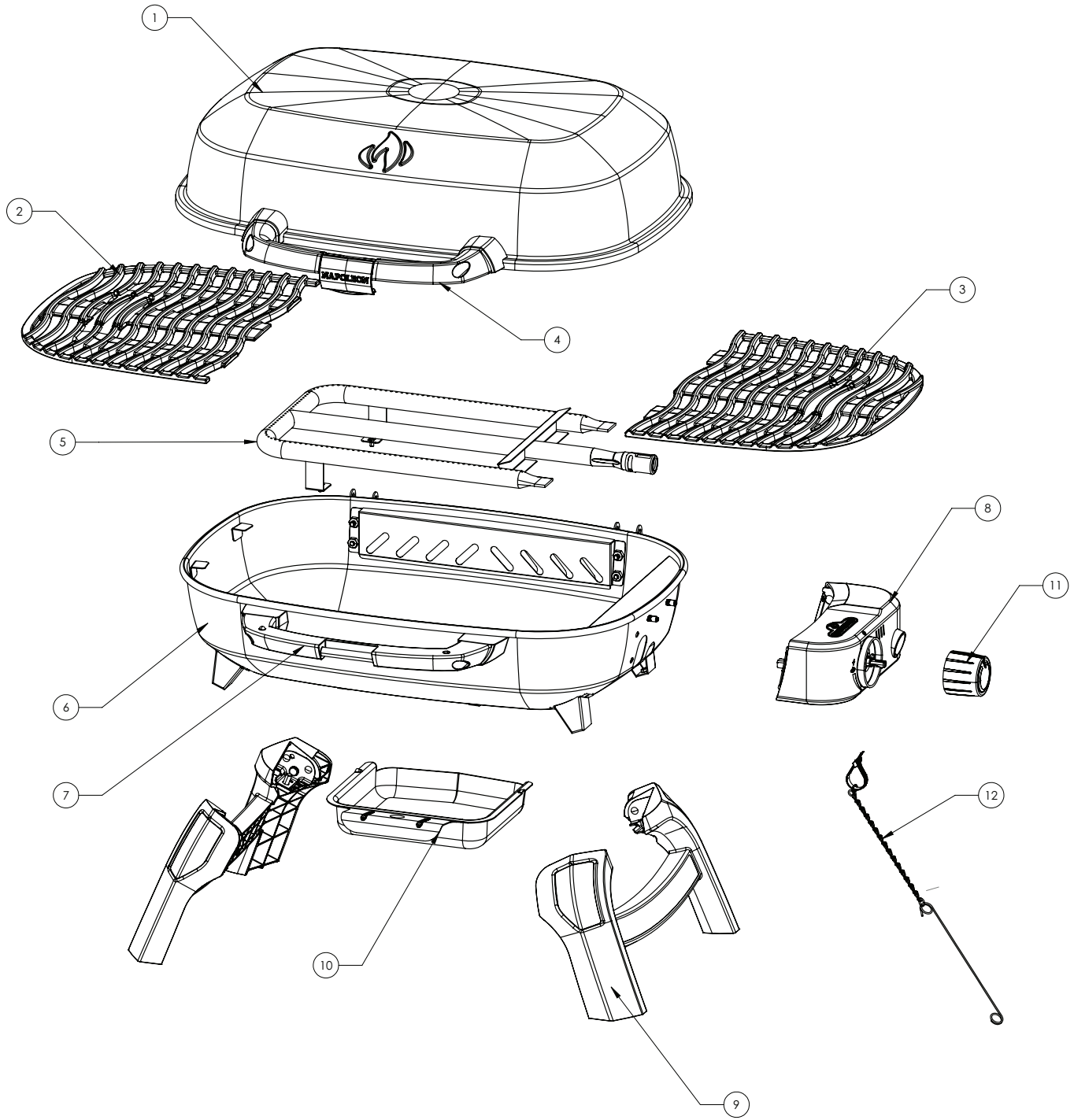
n - natural only

ac - accessoires

n - appareils gaz naturel seulement

ac - accesorios

n - solo naturales





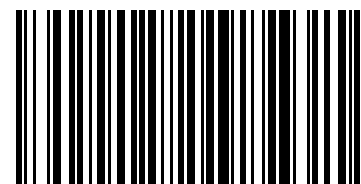


Napoleon products are protected by one or more U.S. and Canadian and/or foreign patents or patents pending.

Les produits de Napoleon sont proteges par un au plusieurs brevets américains, canadiens et (ou) étrangers au par des brevets en instance.

Los productos Napoleon están protegidos por una o más patentes o patentes pendientes en E.U., Canadá y/o otros países.

www.napoleon.com



N415-0699

N415-0699 REV - Nov. 11, 2022

