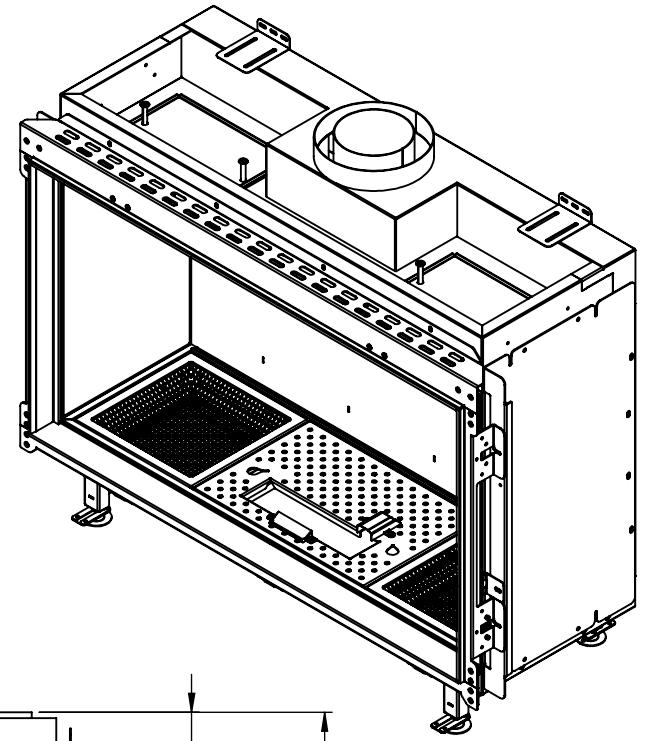
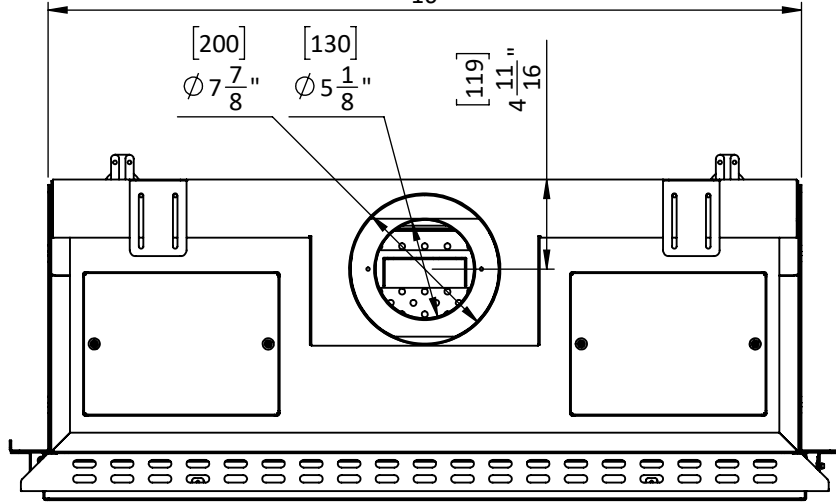


# SUMMUM 100 F

[996]  
39  $\frac{3}{16}$ "



[1009]  
39  $\frac{3}{4}$ " ext.

Frame

