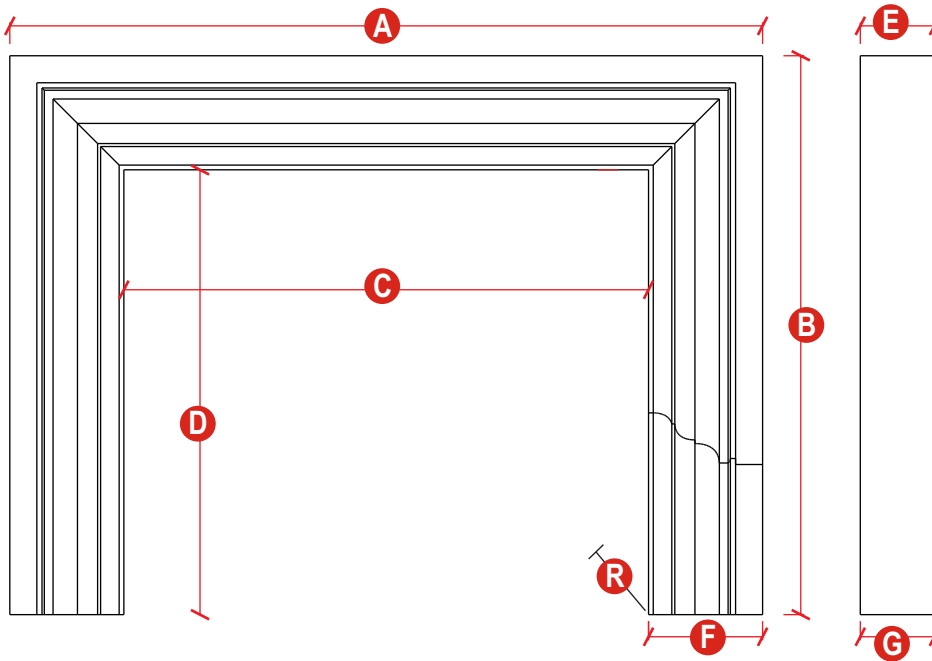


San Francisco

DRACME

CAST STONE FIREPLACE SURROUNDS

Toll Free 877-990-8635
 sales@dracme.com
 www.dracme.com



- Color & Finish Options**
- Natural Open Cast
 - Limestone Open Cast
 - Ash Open Cast
 - Buff Open Cast
 - Chocolate Open Cast
 - Gray Open Cast

	Standard Dimensions	Custom MAX. (no minimum)	Dimensions (needed for ordering)
A - Total Width	66"	C + 20"	
B - Total Height	49"	D + 10"	
C - Opening Width	46"	up to 68"	
D - Opening Height	39"	up to 50"	
E - Shelf Depth	6 1/2"	R + 5 1/2"	
F - Leg Width	10"	10" (cannot be changed)	
G - Leg Depth (toe)	6 1/2"	R + 5 1/2"	
R - Return	1"	up to 18"	

Note: These measurements can vary slightly

Standard filler panels kit: 2 x (9" x 42") + 1 x (14" x 50")

Custom filler panels:	Width	Length	Quantity
Standard filler:	9" x	42"	<input type="text"/>
Standard filler:	14" x	50"	<input type="text"/>
Custom size filler panels:	<input type="text"/> x	<input type="text"/>	<input type="text"/>
(maximum 20" x 60")	<input type="text"/> x	<input type="text"/>	<input type="text"/>

Fireplace Opening: W _____ x H _____

OTHER NOTES (raised hearths, hearth pads, slabs etc.):

FAX THIS FORM TO 1-877-990-8636	CONTACT NAME _____	PHONE _____
	COMPANY _____	FAX _____
	EMAIL ADDRESS: _____	PO# _____

