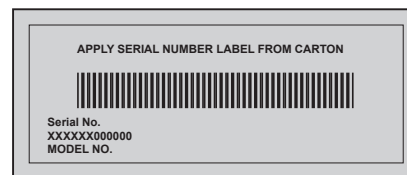


This gas grill must be used only outdoors in a well-ventilated space and must not be used inside a building, garage, screened-in porch, gazebo or any other enclosed area.



**TQ285X-1**

EN

FR  
PG.15

PG.28



### DANGER

#### IF YOU SMELL GAS:

- Shut off gas to the appliance.
- Extinguish any open flame.
- Open lid.
- If odor continues, keep away from the appliance and immediately call your gas supplier or fire department.

**WARNING!** Failure to follow these instructions exactly could result in fire, or explosion which could cause property damage, personal injury or death.



### WARNING

Do not try to light this appliance without reading the "LIGHTING" instructions section of this manual.

Do not store or use gasoline or other flammable liquids or vapors in the vicinity of this or any other appliance. An L.P. cylinder not connected for use must not be stored in the vicinity of this or any other appliance. If the information in these instructions is not followed exactly, a fire or explosion may result, causing property damage, personal injury or death.

Adults and especially children should be alerted to the hazards of high surface temperatures. Young children should be supervised near the gas grill.

Notice to Installer: Leave these instructions with the grill owner for future reference.



N415-0536 JAN 19.22

Wolf Steel Ltd.  
214 Bayview Drive,  
Barrie, Ontario, CANADA L4N 4Y8  
[grills@napoleon.com](mailto:grills@napoleon.com)



[www.napoleon.com](http://www.napoleon.com)

# Napoleon President's 10 Year Limited Warranty



NAPOLEON products are designed with superior components and materials, and are assembled by trained craftsmen who take great pride in their work. This grill has been thoroughly inspected by a qualified technician before packaging and shipping to ensure that you, the customer, receive the quality product you expect from NAPOLEON.

NAPOLEON warrants that components in your new NAPOLEON product will be free from defects in material and workmanship from the date of purchase, for the following period:

Aluminum castings / stainless steel base .....	<b>10 years</b>
Stainless steel lid .....	<b>10 years</b>
Porcelain enamel lid .....	<b>10 years</b>
Painted steel lid .....	<b>5 years full coverage, plus 50% off until the 10<sup>th</sup> year</b>
Stainless steel tube burners .....	<b>5 years full coverage, plus 50% off until the 10<sup>th</sup> year</b>
Porcelain-enameled cast iron cooking grids .....	<b>5 years full coverage, plus 50% off until the 10<sup>th</sup> year</b>
Stainless steel or porcelain sear plates .....	<b>3 years full coverage, plus 50% off until the 10<sup>th</sup> year</b>
All other parts .....	<b>2 years</b>

#### \*Conditions and Limitations

This Limited Warranty creates a warranty period as specified in the aforementioned table, for any product purchased through an authorized NAPOLEON dealer, and entitles the original purchaser to the specified coverage in respect of any component replaced within the warranty period, either by NAPOLEON or an authorized NAPOLEON dealer, to replace a component of such product that has failed in normal private use as a result of a manufacturing defect. The "50% off" indicated in the table means the component is made available to the purchaser at a 50% discount off the regular retail price of the component for the period indicated. This Limited Warranty does not cover accessories or bonus items.

For greater certainty, "normal private use" of a product means that the product: has been installed by a licensed, authorized service technician or contractor, in accordance with the installation instructions included with the product and all local and national building and fire codes; has been properly maintained; and has not been used as a communal amenity or in a commercial application.

Similarly, "failure" does not include: over-firing, blow outs caused by environmental conditions such as strong winds or inadequate ventilation, scratches, dents, corrosion, deterioration of painted and plated finishes, discoloration caused by heat, abrasive or chemical cleaners or UV exposure, chipping of porcelain enameled parts, or damages caused by misuse, accident, hail, grease fires, lack of maintenance, hostile environments such as salt or chlorine, alterations, abuse, neglect or parts installed from other manufacturers.

Should deterioration of parts occur to the degree of non-performance (rusted through or burnt through) within the duration of the warranted coverage, a replacement part will be provided. The replacement component is the sole responsibility of NAPOLEON defined by this Limited Warranty; in no event will NAPOLEON be responsible for installation, labor or any other costs or expenses related to the re-installation of a warranted part, for any incidental, consequential, or indirect damages or for any transportation charges, labor costs or export duties.

This Limited Warranty is provided in addition to any rights afforded to you by local laws. Accordingly, this Limited Warranty imposes no obligation upon NAPOLEON to keep parts in stock. Based on the availability of parts, NAPOLEON may at its discretion discharge all obligations by providing a customer a prorated credit towards a new product. After the first year, with respect to this Limited Warranty NAPOLEON may, at its discretion, fully discharge all obligations with respect to this warranty by refunding to the original warranted purchaser the wholesale price of any warranted but defective part(s).

The bill of sale or copy will be required together with a serial number and a model number when making any warranty claims from NAPOLEON. NAPOLEON reserves the right to have its representative inspect any product or part prior to honoring any warranty claim. You must contact NAPOLEON Customer Service or an authorized NAPOLEON dealer to obtain the benefit of the warranty coverage.



[www.napoleon.com](http://www.napoleon.com)



- **This instruction manual contains important information necessary for the proper assembly and safe use of the appliance.**
- **Read and follow all warnings and instructions before assembly and using the appliance.**
- **Follow all warnings and instructions when using the appliance.**

## Safe Operating Practices

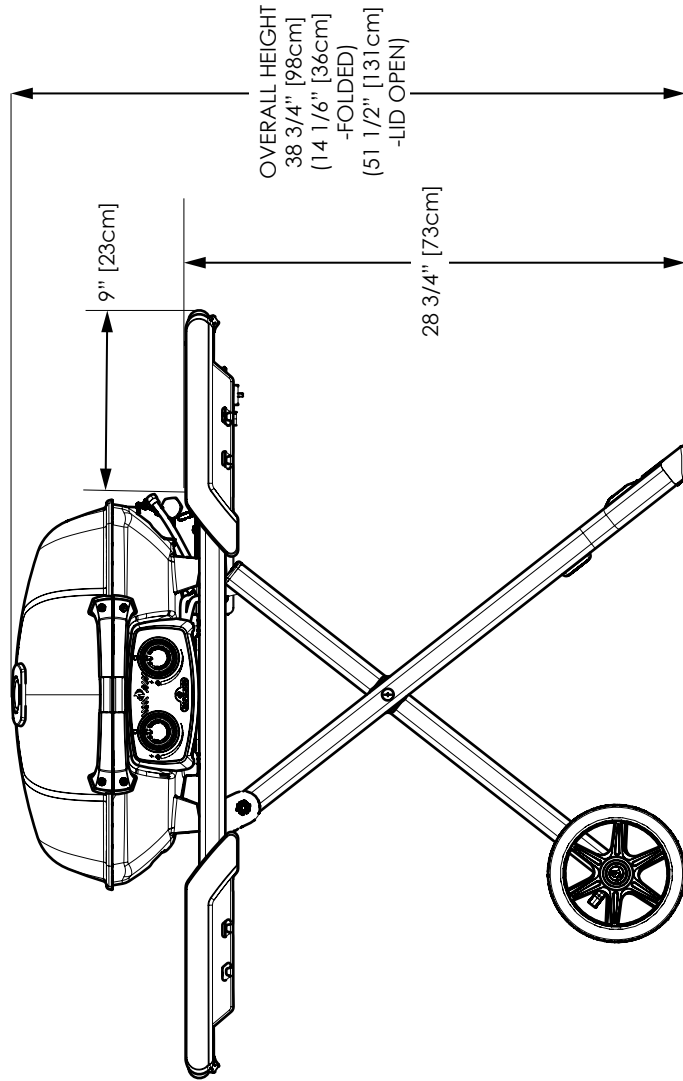
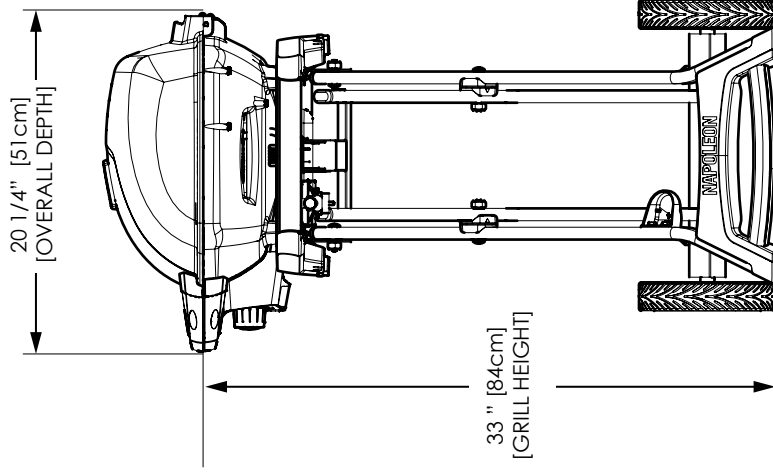
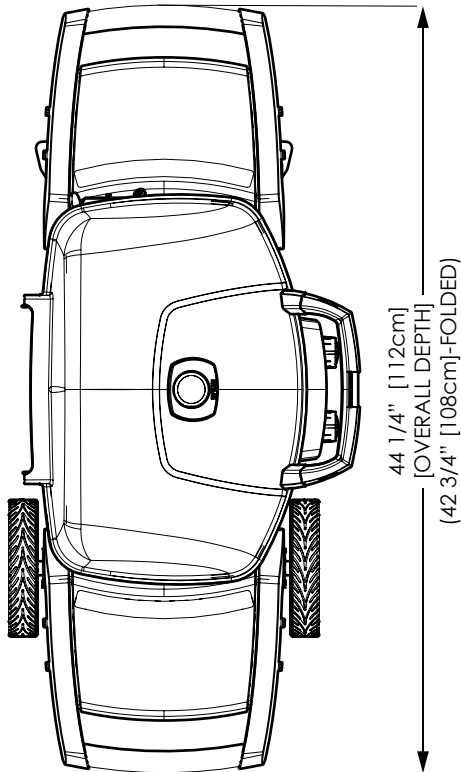
- This gas grill must be assembled exactly according to the instructions in the manual. If the grill was store assembled, you must review the assembly instructions to confirm correct assembly and perform the required leak tests before operating the grill.
- Read the entire instruction manual before operating the gas grill.
- This gas grill must only be used outdoors in a well-ventilated space and must not be used inside a building, garage, screened in porch, gazebo or any other enclosed area.
- Do not use this grill under extended awnings. Failure to follow these instructions could result in a fire or personal injury.
- This gas grill must not be installed in or on recreational vehicles and/or boats.
- This gas grill is designed for L.P. only.
- Do not locate in windy settings. High winds adversely affect the cooking performance of the gas grill.
- Under no circumstances should this gas grill be modified.
- Do not operate unit under any combustible construction.
- Maintain proper clearance to combustibles 18" (457mm) to rear of unit, 18" (457mm) to sides). Additional clearance is recommended near vinyl siding or panes of glass.
- The gas supply hose (optional) must be installed in a manner that will not allow contact with any hot surfaces of the grill while in use or in the storage/travel mode.
- The propane cylinder must be disconnected when the gas grill is not in use.
- When the propane cylinder is connected to the appliance, the gas grill and cylinder must be stored outdoors in a well-ventilated space.
- When the gas grill is to be stored indoors, the connection between the propane cylinder and the gas grill must be disconnected and the cylinder removed and stored outdoors in a well ventilated space out of reach of children. Disconnected cylinders must not be stored in a building, garage or any other enclosed area.
- Inspect the gas supply hose (optional) before each use. If there is evidence of excessive abrasion or wear or the hose is cut, it must be replaced prior to using the gas grill with a replacement pressure regulator and hose assembly specified by the grill manufacturer.
- Do not route hose (optional) underneath drip pan - proper hose clearance to bottom of unit must be maintained.
- Leak test the unit before initial use, annually and whenever any gas components are replaced.
- Follow the lighting instructions carefully when operating grill.
- Do not light burners with lid closed.
- The use of alcohol, prescription or non-prescription drugs may impair the consumer's ability to properly assemble or safely operate the gas grill.
- Do not leave grill unattended when operating. Keep children and pets away from the appliance at all times.
- Do not move grill when hot or operating.
- Keep any electrical supply cord and fuel supply hose away from any heated surfaces.
- Clean grease tray regularly to avoid build-up, which may lead to grease fires.
- Do not use water, beer, or any other liquids to control flare-ups.
- Do not use a pressure washer to clean any part of the unit.
- This gas grill is not intended for commercial use.
- This gas grill is not intended for and should never be used as a heater.

# TQ285X-1 GRILL

2 X 6.5 MJ/h MAIN BURNER

GRILL SIZE: 14 1/2" X 21 1/4" (IRREGULAR) = 285 in<sup>2</sup>  
(37 cm X 54 cm (IRREGULAR) = 1840cm<sup>2</sup>)

ALL DIMENSIONS ARE APPROXIMATE



## Handle With Care



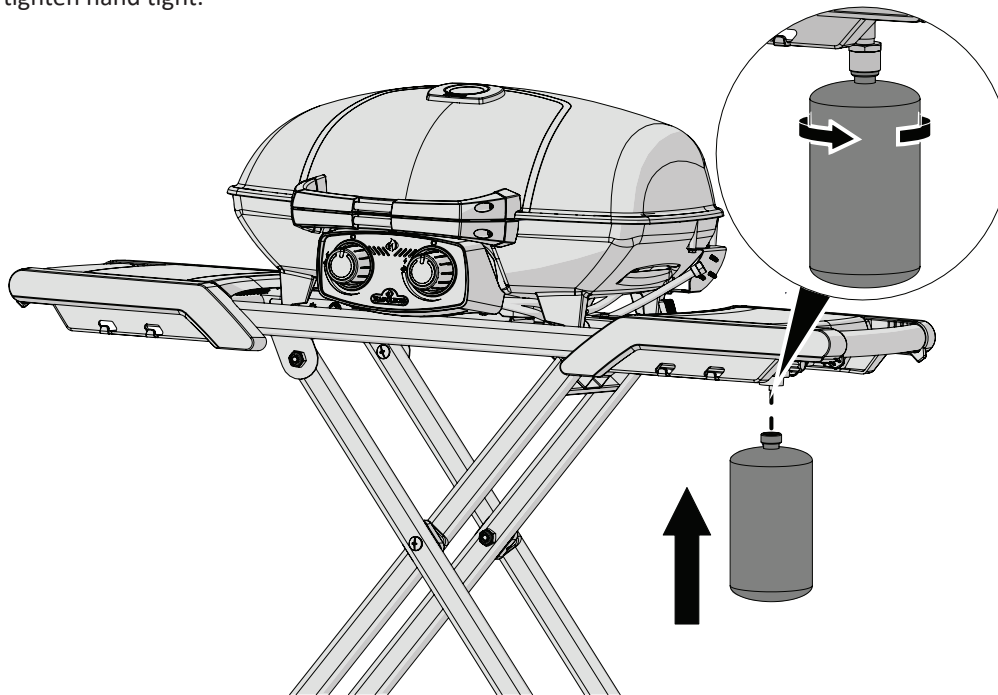
**CAUTION!** Use care when handling or transporting your grill to prevent damage and misalignment of internal components. Although this grill has been designed with mobility in mind, rough handling or abuse will result in damage to internal components, preventing your grill from operating properly.

## General Information

This gas barbecue is certified under Canadian and American National Standards, CSA 1.6-2018 and ANSI Z21.58-2018 respectively for outdoor gas grills and should be installed to conform to local codes. In absence of local codes, install to the current CAN/CSA-B149.1 Propane Installation Code in Canada or to the National Fuel Gas Code, ANSI Z223.1/NFPA 54 and ANSI/NFPA 58 in the United States.

Use only the pressure regulator provided with this barbecue. Replacement pressure regulators must be supplied by or specified by the manufacturer. The regulator supplies a pressure of 11 inches water column to the gas grill and has a female CGA#600 type fitting.

**Cylinder Installation:** 1 lb (.454kg) disposable cylinders to be used with this unit must be equipped with a male CGA #600 type connection. This cylinder has a positive seating connection, which will not allow gas flow until a positive seal has been achieved. To install the cylinder simply screw it into the regulator - tighten hand tight.



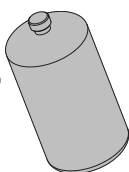
**WARNING!** Use cylinders that are marked "Propane Fuel" only.



**WARNING!** Be careful not to cross thread when installing the cylinder. Do not use tools to tighten the cylinder.



**WARNING!** Do not operate the grill if the regulator shows signs of impact damage.



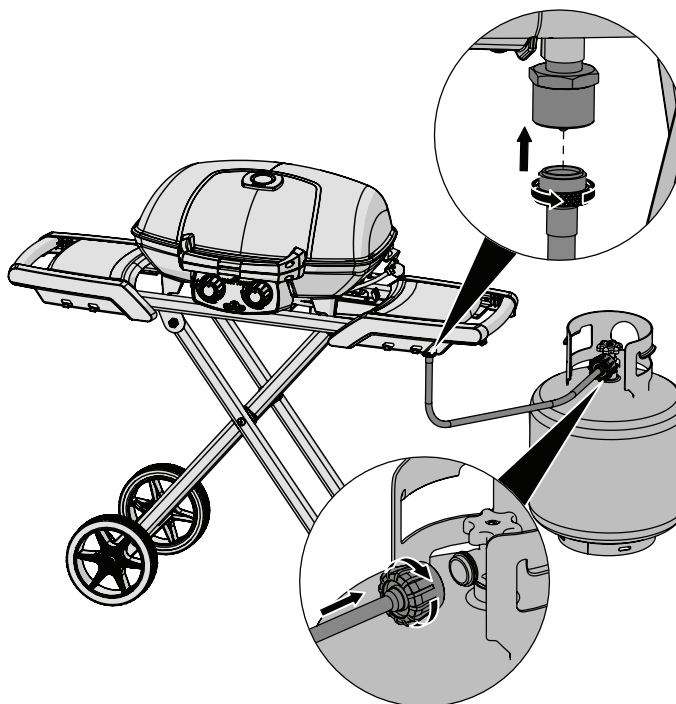
**WARNING!** The dust cap should be in place when the propane cylinder is not in use to prevent dirt and debris from entering.

**WARNING!** Review instructions on propane cylinder prior to using. A dented or rusted cylinder may be hazardous. Discard cylinder if rust particles or debris are in the connection area of the propane cylinder.

**Optional Supply Hose Instructions:** An optional hose is available from your Napoleon Dealer that allows the grill to be connected to a 20 lb (9.1 kg) cylinder. A dented or rusted cylinder may be hazardous and should be checked by your propane supplier. Never use a cylinder with a damaged valve.

The LP-gas supply cylinder must be constructed and marked in accordance with the US Department of Transportation (DOT) specifications for LP-Gas Cylinders or the Standard for Cylinders, Spheres and Tubes for Transportation of Dangerous Good and Commission, CAN/CSA-B339, as applicable.

The propane cylinder must be provided with a shut-off valve terminating in a propane cylinder valve type QCC1, and a safety relief device having direct communication with the vapour space of the cylinder. The cylinder supply system must be arranged for vapour withdrawal and the cylinder shall include a collar to protect the cylinder valve. The cylinder shall incorporate a listed OPD (overfill protection device). To use the hose, connect it between the tank valve and the regulator on the grill. These connections should be hand tightened, and leak tested. Ensure that the cylinder valve is turned off whenever the grill is not in use.



**WARNING!** Locate the hose out of pathways where people may trip over it or in areas where the hose may be subject to accidental damage. Do not tip or move propane supply cylinder.



**WARNING!** If these instructions are not followed exactly, a fire causing death or serious injury may occur.

- Do not store a spare propane cylinder under or near this appliance.
- Never fill the cylinder beyond 80 percent full.

**California Proposition 65:** This product can expose you to chemicals including lead and lead compounds, which are known to the State of California to cause cancer, and chemicals including di-n-butyl phthalate, which are known to the State of California to cause birth defects or other reproductive harm. For more information go to [www.P65Warnings.ca.gov](http://www.P65Warnings.ca.gov).

# Leak Testing Instructions



**WARNING!** A leak test must be performed annually and each time a cylinder is hooked up or if a part of the gas system is replaced.



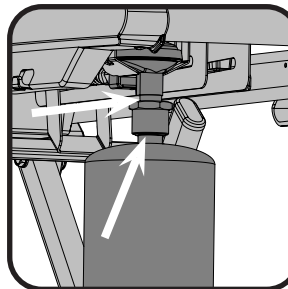
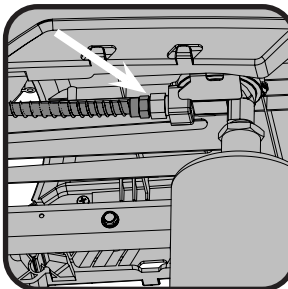
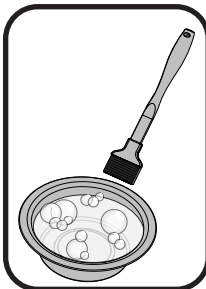
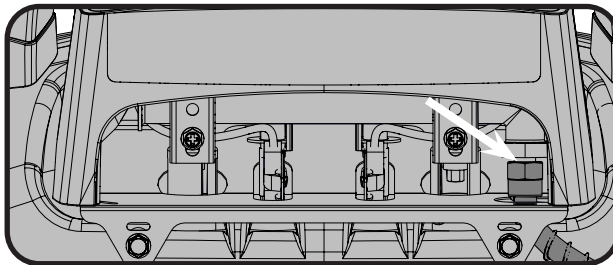
**WARNING!** Never use an open flame to check for gas leaks. Be certain no sparks or open flames are in the area while you check for leaks. Sparks or open flames will result in a fire or explosion, damage to property, serious bodily injury, or death.



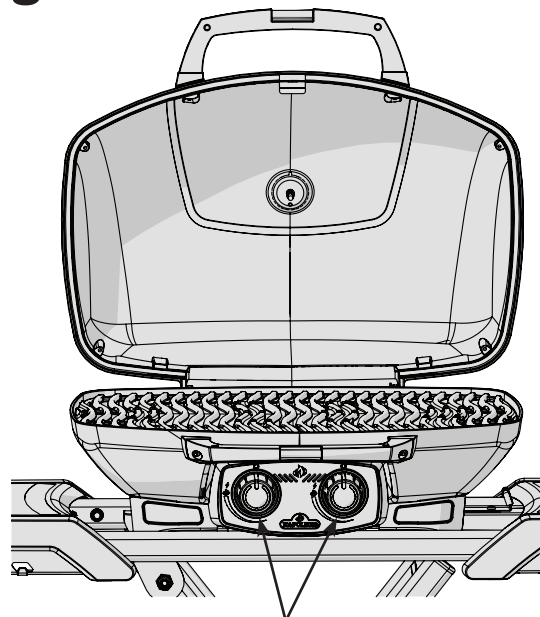
**Leak testing:** This must be done before initial use, annually, and whenever any gas components are replaced or serviced. Do not smoke while performing this test, and remove all sources of ignition. See Leak Testing Diagram for areas to check.



1. Turn all burner controls to the off position. Turn gas supply valve on.
2. Brush a half-and-half solution of liquid soap and water onto all joints and connections of the regulator, hose, manifolds and valves.
3. Bubbles will indicate a gas leak. Either tighten the loose joint or have the part replaced with one recommended by the Napoleon Customer Solutions department and have the grill inspected by a certified gas installer.
4. If the leak cannot be stopped, immediately shut off the gas supply, disconnect it, and have the grill inspected by a certified gas installer or dealer. Do not use the grill until the leak has been corrected.



## Lighting Instructions



Burner Control



**WARNING!** Open lid

**WARNING!** Ensure all burner controls are in the off position. Connect a disposable cylinder or slowly turn on the gas supply valve (large propane cylinder).

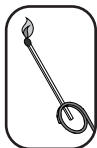
### Main Burner Lighting

1. Open grill lid

2. Push and turn any main burner control knob slowly to the 'hi' position. This action will ignite the selected burner.

3. If the burner does not ignite, then immediately turn the control knob back to the 'off' position and repeat step 2 several times.

4. If the burner will not ignite within 5 seconds, turn the control knob to the 'off' position and wait 5 minutes for any excess gas to dissipate, either repeat steps 2 and 3 or light with a match.



5. If lighting the unit with a match, clip the match into the supplied lighting rod. Hold the lit match down through the grill while turning the corresponding burner valve to high.



**WARNING!** The normal operating burner flames may not be visible in daylight after ignition because they are very small and light blue. Heat can be felt when hovering your hand 6-8 inches over the grills surface, indicating proper function.



## Cooking Instructions



**WARNING!** Do not use this grill under extended awnings. Failure to follow these instructions could result in a fire or personal injury.



**DANGER!** Allow the grill to cool to the touch before moving or storing. Failure to do so could result in a fire resulting in property damage, personal injury or death.

**Initial Lighting:** When lit for the first time, the gas grill emits a slight odor. This is a normal temporary condition caused by the “burn-in” of internal paints and lubricants used in the manufacturing process and does not occur again. Simply run the main burners on high for approximately one-half hour.

**Main Burner Use:** When searing foods, we recommend preheating the grill by operating all main burners in the high position with the lid closed for approximately 10 minutes. Food cooked for short periods of time (fish, vegetables) can be grilled with the lid open. Cooking with the lid closed will ensure higher, more even temperatures that can reduce cooking time and cook meat more evenly. Food that has a cooking time longer than 30 minutes, such as roasts, can be cooked indirectly (with the burner lit opposite to the food placement). When cooking very lean meats, such as chicken breasts or lean pork, the grids can be oiled before pre-heating to reduce sticking. Cooking meat with a high degree of fat content can create flare-ups. Either trim the fat or reduce temperatures to inhibit this. Should a flare-up occur, move food away from the flames and reduce the heat. Leave the lid open. See Your All Season Grill cookbook by Napoleon for more detailed instructions.

## Cleaning Instructions



**WARNING!** Always wear protective gloves and safety glasses when servicing your grill.



**WARNING!** To avoid the possibility of burns, maintenance should be done only when the grill is cool. Avoid unprotected contact with hot surfaces. Ensure all burners are turned off. Clean grill in an area where cleaning solutions will not harm decks, lawns, or patios. Do not use oven cleaner to clean any part of this gas grill. Do not use a self-cleaning oven to clean cooking grids or any other parts of the gas grill. Barbecue sauce and salt can be corrosive and will cause rapid deterioration of the gas grill components unless cleaned regularly.



**Note:** Stainless steel tends to oxidize or stain in the presence of chlorides and sulfides, particularly in coastal areas and other harsh environments, such as the warm, highly humid atmosphere around pools and hot tubs. These stains could be perceived as rust, but can be easily removed or prevented. To provide stain prevention and removal, wash all stainless steel and chrome surfaces every 3-4 weeks or as often as required with fresh water and/or stainless steel cleaner.

**Cast Iron Cooking Grids:** The cast iron cooking grids supplied with your new grill offer superior heat retention and distribution. By regularly seasoning your grids you are adding a protective coating, which will aid in resisting corrosion and increase your grids non-stick capabilities.

**First Time Use:** Wash the cooking grids by hand with mild dish soap and water to remove any residue from the manufacturing process (never wash in a dish washer). Rinse thoroughly with hot water and dry completely with a soft cloth. This is important to avoid moisture from entering the cast iron.

**Seasoning:** Using a soft cloth, spread VEGETABLE SHORTENING with a high smoke point over the entire grid surface ensuring all grooves and corners are covered. Sunflower, avocado or canola oil is recommended. Do not use salted fats such as butter or margarine. Pre-heat your grill to 350°-400°F (176°C-204°C). Install coated grids in the grill. Close the lid and cook for 30 minutes. Apply a second coat of oil on the grids using a silicon brush and cook for 30 minutes more. Turn all the burners to the “OFF” position and turn the gas off at the source. Let the cooking grids stand until cool. This procedure should be repeated several times throughout the season at 3-4 uses intervals.

**Note:** if rust has formed on the cast iron grids, clean them with a scouring pad or brass brush and repeat the entire seasoning process.

**Daily Usage:** Before pre-heating, and cleaning with a brass wire grill brush, coat the entire top surface of the cooking grids with VEGETABLE SHORTENING. Pre-heat the grill and then brush away any unwanted residue with a brass wire brush.

**Cleaning Inside The Gas Grill :** Remove the cooking grids. Use a brass wire brush to clean loose debris from casting sides and underneath the lid. Brush all debris from inside the gas grill into the removable drip pan.



**Drip Pan:** Accumulated grease is a fire hazard. Clean the drip pan frequently to avoid grease buildup. Grease and excess drippings pass through to the drip pan, located beneath the gas grill and accumulate. To clean, slide the drip pan free of the grill. Never line the drip pan with aluminum foil, sand or any other material as this could prevent the grease from flowing properly. The pan should be scraped out with a putty knife or scraper.

**CAUTION!** Ensure drip pan is empty and clean before transporting grill in vertical position.

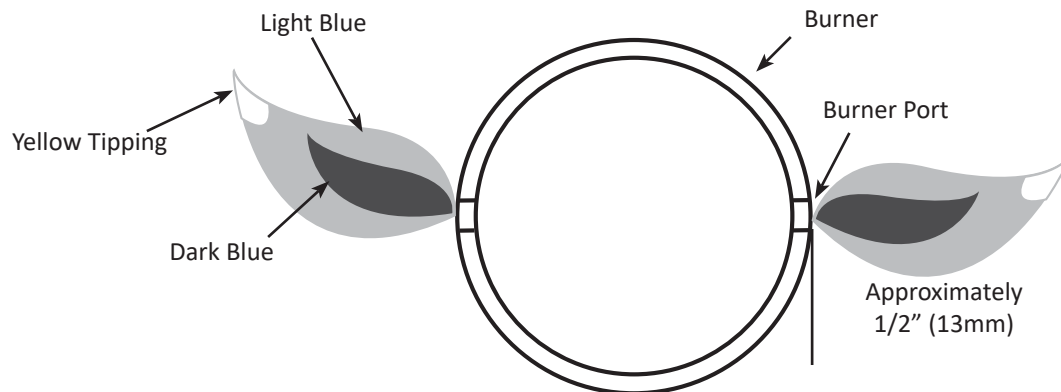
**Cleaning The Outer Grill Surface:** Do not use abrasive cleaners or steel wool on any painted, porcelain or stainless steel parts of your Napoleon Grill. Doing so will scratch the finish. Exterior grill surfaces should be cleaned with warm soapy water while the metal is still warm to the touch. To clean stainless surfaces, use a stainless steel or a non-abrasive cleaner. Always wipe in the direction of the grain. Over time, stainless steel parts discolor when heated, usually to a golden or brown hue. This discoloration is normal and does not affect the performance of the grill. Porcelain enamel components must be handled with additional care. The baked-on enamel finish is glass-like, and will chip if struck. Touch-up enamel is available from your Napoleon Grill dealer.

## Maintenance Instructions

We recommend this gas grill be thoroughly inspected and serviced annually by a qualified service person. At all times keep the gas grill area free from combustible materials, gasoline and other flammable vapors and liquids. Do not obstruct the flow of ventilation and combustion air.

**WARNING!** Always wear protective gloves and safety glasses when cleaning your grill.

**WARNING!** Turn off the gas at the source and disconnect the unit before servicing. To avoid the possibility of burns, maintenance should be done only when the grill is cool. A leak test must be performed annually and whenever any component of the gas train is replaced or gas smell is present.



**Burner:** The burner is made from heavy wall 304 stainless steel, but extreme heat and a corrosive environment can cause surface corrosion to occur. This can be removed with a brass wire brush.

**CAUTION!** Beware of Spiders.

Spiders and insects are attracted to the smell of propane and natural gas. The burner is equipped with an insect screen on the air shutter, which reduces the likelihood of insects building nests inside the burner but does not entirely eliminate the problem. A nest or web can cause the burner to burn with a soft yellow or orange flame or cause a fire (flashback) at the air shutter underneath the control panel. To clean the inside of the burner, it must be removed from the gas grill: Remove the screw (s) that attach the cross light bracket and the burner to the base. Slide the burner back and upwards to remove. Cleaning: Use a flexible venturi tube brush to clean the inside of the burner. Shake any loose debris from the burner through the gas inlet. Check the burner ports and valve orifices for blockages. Burner ports can close over time due to cooking debris and corrosion; use an opened paperclip to clean them. The ports are easier to clean if the burner is removed from the grill, but it can also be done with the burner installed.

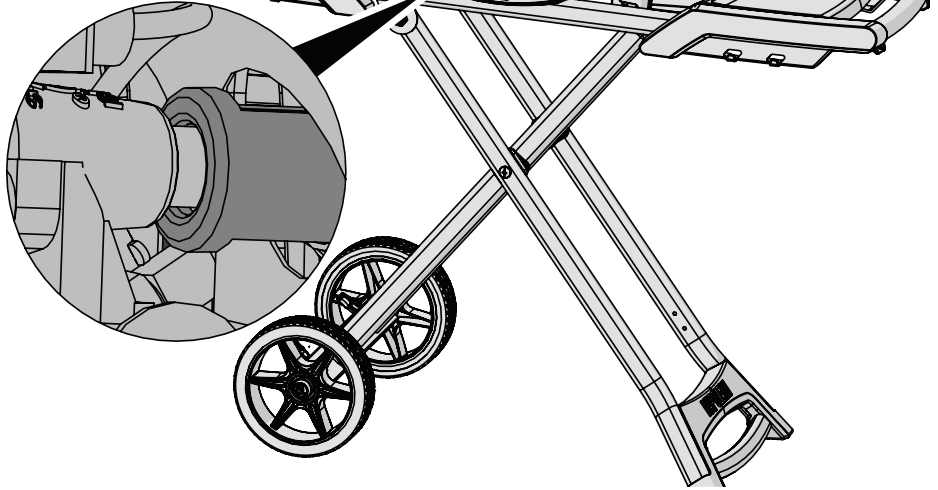
**CAUTION!** Take care not to enlarge the holes.

Ensure the insect screen is clean, tight, and free of any lint or other debris.

**Reinstallation:** Reverse the procedure to reinstall the burner. Check that the valve enters the burner when installing. Replace cross light bracket and tighten screws to complete reinstallation.



**WARNING!** When reinstalling the burner after cleaning it is very important that the valve/orifice enters the burner tube before lighting your gas grill. If the valve is not inside the burner tube a fire or explosion could occur.



**WARNING!** Hose (optional): Check for abrasions, melting, cuts, and cracks in the hose. If any of these conditions exist, do not use the gas grill. Have the part replaced by your Napoleon Gas Grill dealer or qualified gas installer.

# Troubleshooting

Problem	Possible Causes	Solution
Low heat / Low flame when valve turned to high.	Blockage of gas.  Improper preheating.  Cylinder freezing up.	Check for spider webs in the burner or orifice.  Preheat grill with main burners on high for 5 to 10 minutes.  When cooking for long periods of time, or when the cylinder is close to being empty, or low outside air temperatures, 1 lb cylinders do not have enough wetted surface area to allow liquid propane to turn to vapor. Put on a fresh 1 lb cylinder or hook-up to a 20 lb tank.
Excessive flare-ups/uneven heat.	Improper preheating.  Excessive grease and ash build up in drip pan.	Preheat grill with both main burners on high for 5 to 10 minutes.  Clean drip pan regularly. Do not line pan with aluminum foil. Refer to cleaning instructions.
Burners burn with yellow flame, accompanied by the smell of gas.	Possible spider web or other debris, or improper air shutter adjustment.	Thoroughly clean burner by removing. See general maintenance instructions. Open air shutter slightly according to combustion air adjustment instructions. (This must be done by a qualified gas installer.)
Flames lift away from burner, accompanied by the smell of gas, and possibly difficulties in lighting.	Improper air shutter adjustment.	Close air shutter slightly according to combustion air adjustment instructions. (This must be done by a qualified gas installer.)
Burner will not light with the igniter but will light with a match.	Jet-fire outlet is dirty or clogged.	Clean jet-fire outlet with a soft bristle brush.
Humming regulator.	Normal occurrence on hot days.	This is not a defect. It is caused by internal vibrations in the regulator and does not affect the performance or safety of the gas grill. Humming regulators will not be replaced.
"Paint" appears to be peeling inside lid or hood.	Grease build-up on inside surfaces.	This is not a defect. The peeling is caused by hardened grease, which dries into paint-like shards that flake off. Regular cleaning will prevent this. See cleaning instructions.
Burner output on "high" setting is too low. (Rumbling noise and fluttering blue flame at burner surface.)	Lack of gas.  Supply hose is pinched.  Dirty or clogged orifice.  Spider webs or other matter in venturi tube.	Check gas level in propane cylinder.  Reposition supply hose as necessary.  Clean burner orifice.  Clean out venturi tube.

**KEEP YOUR RECEIPT AS PROOF OF PURCHASE TO VALIDATE YOUR WARRANTY.**

# Ordering Replacement Parts

EN

## *Warranty Information*

MODEL: \_\_\_\_\_

DATE OF PURCHASE: \_\_\_\_\_

SERIAL NUMBER: \_\_\_\_\_

### ***(Record information here for easy reference)***

For replacement parts and warranty claims, contact the Napoleon dealer where the product was purchased.

Before contacting the dealer, check the Napoleon Grills Website for more extensive cleaning, maintenance, troubleshooting and parts replacement instructions at [www.napoleon.com](http://www.napoleon.com).

To process a claim, the following information is required:

1. Model and serial number of the unit.
2. Part number and description.
3. A concise description of the problem ('broken' is not sufficient).
4. Proof of purchase (photocopy of the invoice).

In some cases, Napoleon could request to have the parts returned to the factory for inspection before providing replacement parts.

Before contacting Napoleon dealer, please note that the following items are not covered by the warranty:

- Costs for transportation, brokerage or export duties.
- Labour costs for removal and reinstallation.
- Costs for service calls to diagnose problems.
- Discolouration of stainless steel parts.
- Part failure due to lack of cleaning and maintenance, or use of improper cleaners (oven cleaner or other harsh chemicals).



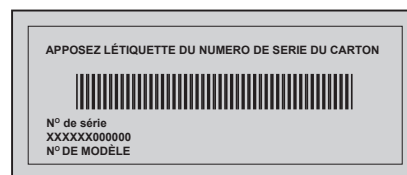
14

*Notes*

EN



Ce gril doit être utilisé uniquement à l'extérieur, dans un endroit bien aéré et ne doit jamais être utilisé à l'intérieur d'un bâtiment, d'un garage, d'un gazebo, d'une véranda avec paramoustique, ou de tout autre endroit fermé.



FR



### DANGER

#### SI VOUS DÉTECTEZ UNE ODEUR DE GAZ :

- Fermez l'alimentation en gaz à l'appareil.
- Éteignez toute flamme nue.
- Ouvrez le couvercle.
- Si l'odeur persiste, éloignez-vous de l'appareil et appelez immédiatement votre fournisseur de gaz ou le service des incendies.

**AVERTISSEMENT!** Le non respect des instructions suivantes peut entraîner des dommages matériels, des blessures graves ou la mort résultant d'un incendie ou d'une explosion.



### AVERTISSEMENT

Ne tentez pas d'allumer cet appareil avant d'avoir lu la section «INSTRUCTIONS D'ALLUMAGE» de ce manuel.

Pour votre sécurité, n'entrez pas et n'utilisez pas d'essence ou autres liquides et vapeurs inflammables à proximité de cet ou tout autre appareil. Une bonbonne de propane non branchée ne devrait pas être entreposée à proximité de cet ou de tout autre appareil. Si ces instructions ne sont pas suivies à la lettre, un feu ou une explosion pourraient s'ensuivre, causant des dommages à la propriété, des blessures corporelles ou des pertes de vie.

Les adultes et particulièrement les enfants doivent être sensibilisés aux risques que représentent les surfaces exposées à des températures élevées. Surveillez les jeunes enfants lorsqu'ils sont près du gril.

Note à l'installateur : Laissez ces instructions au propriétaire du gril pour consultation ultérieure.



N415-0536 JAN 19.22

Wolf Steel Ltd.  
214 Bayview Drive,  
Barrie, Ontario, CANADA L4N 4Y8  
[grills@napoleon.com](mailto:grills@napoleon.com)



[www.napoleon.com](http://www.napoleon.com)

# Garantie limitée à vie de 10 ans de Napoléon



Les produits NAPOLÉON sont conçus avec des composants et des matériaux de qualité supérieure, assemblés par des artisans qualifiés qui sont fiers de leur travail. Ce gril a été soigneusement inspecté par un technicien qualifié avant d'être emballé et expédié pour garantir que vous, le client, recevez le produit de qualité dont vous vous attendez de la part de NAPOLÉON.

NAPOLÉON garantit que les composants de votre nouveau produit NAPOLÉON seront exempts de défauts de matériau ou de fabrication à compter de la date de l'achat, et ce, pour la durée suivante :

Pièces en fonte d'aluminium / base en acier inoxydable .....	<b>10 ans</b>
Couvercle en acier inoxydable .....	<b>10 ans</b>
Couvercle en porcelaine émaillée .....	<b>10 ans</b>
Couvercle en acier peint .....	<b>5 ans de pleine garantie, plus 50 % de rabais jusqu'à la 10e année</b>
Brûleurs tubulaires en acier inoxydable.....	<b>5 ans de pleine garantie, plus 50 % de rabais jusqu'à la 10e année</b>
Plaques de brûleur en fonte émaillée en porcelaine .....	<b>5 ans de pleine garantie, plus 50 % de rabais jusqu'à la 10e année</b>
Plaques de brûleur en acier inoxydable ou en porcelaine	<b>3 ans de pleine garantie, plus 50 % de rabais jusqu'à la 10e année</b>
Toutes les autres pièces.....	<b>2 ans</b>

## \*Conditions et limitations

La présente garantie limitée couvre une période de garantie telle que spécifiée dans le tableau ci-dessus pour tout produit acheté par l'entremise d'un détaillant autorisé NAPOLÉON et donne droit à l'acheteur d'origine à la couverture spécifiée relativement à tout composant remplacé durant la période de garantie, que ce soit par NAPOLÉON ou un détaillant autorisé NAPOLÉON, pour le remplacement de tout composant qui présente une défaillance dans le cadre d'un usage privé normal à la suite d'un défaut de fabrication. La mention « 50 % de rabais » indiquée dans le tableau signifie que le composant est mis à disposition de l'acheteur à 50 % de son prix de détail courant pour la période indiquée. La présente garantie limitée ne couvre ni les accessoires ni les articles offerts gratuitement.

Il est entendu que l'« usage privé normal » d'un produit signifie que le produit : a été installé par un technicien de service ou entrepreneur certifié, conformément aux instructions d'installation incluses avec le produit et à tous les codes d'incendie et de construction locaux et nationaux; a été entretenu correctement; et n'a pas été utilisé dans une application à usage collectif ou commercial.

De la même manière, « défaillance » n'inclut pas : la surchauffe, les extinctions causées par des conditions environnementales telles que des vents forts ou une ventilation inadéquate, les égratignures, les bosses, la corrosion, la détérioration des finis peints et plaqués, la décoloration due à la chaleur, aux nettoyants abrasifs ou chimiques ou à l'exposition à des rayons UV, l'écaillage des pièces en porcelaine émaillée ou les dommages causés par un mauvais usage, un accident, la grêle, des feux de graisse, un manque d'entretien, un environnement inadéquat tel que le sel ou le chlore, des altérations, des abus, des négligences ou des pièces installées par d'autres fabricants.

Dans le cas d'une détérioration des composants causant le mauvais fonctionnement de l'appareil (perforation par la rouille ou la surchauffe) pendant la période couverte par la garantie, les pièces de rechange seront fournies par NAPOLÉON. Les composants de rechange relèvent de la seule responsabilité de NAPOLÉON telle que définie par la présente garantie limitée; en aucun cas, NAPOLÉON ne saurait être tenu responsable de l'installation, de la main-d'œuvre ou de tous autres coûts ou dépenses relatifs à la réinstallation d'une pièce garantie, de tous dommages accessoires, consécutifs ou indirects ni de tous frais de transport, de main-d'œuvre ou taxes d'exportation.

La présente garantie limitée vient s'ajouter à tous les droits qui vous sont accordés par la législation locale. Par conséquent, la présente garantie limitée n'impose pas à NAPOLÉON l'obligation de garder des pièces en stock. En fonction de la disponibilité des pièces, NAPOLÉON peut, à sa discrétion, se libérer de toute obligation en fournissant à un client un crédit au prorata applicable à un nouveau produit. Après la première année, NAPOLÉON peut, à sa discrétion, se libérer entièrement de toute obligation en ce qui concerne la présente garantie limitée en remboursant à l'acheteur d'origine le prix de gros de toute pièce garantie et défectueuse.

La facture ou une copie sera requise ainsi que le numéro de série et le numéro de modèle lors d'une réclamation auprès de NAPOLÉON. NAPOLÉON se réserve le droit de demander à son représentant d'inspecter tout produit ou pièce avant d'honorer toute réclamation. Pour pouvoir bénéficier de la couverture de garantie, vous devez contacter le service à la clientèle de NAPOLÉON ou un détaillant autorisé NAPOLÉON.



[www.napoleon.com](http://www.napoleon.com)





- Cette notice contient des renseignements importants permettant un assemblage adéquat et à une utilisation sécuritaire de l'appareil.
- Lire et suivre toutes les mises en garde et toutes les instructions avant l'assemblage et l'utilisation de l'appareil.
- Suivre toutes les mises en garde et toutes les instructions lors de l'utilisation de l'appareil.

## Pratiques Sécuritaires D'utilisation

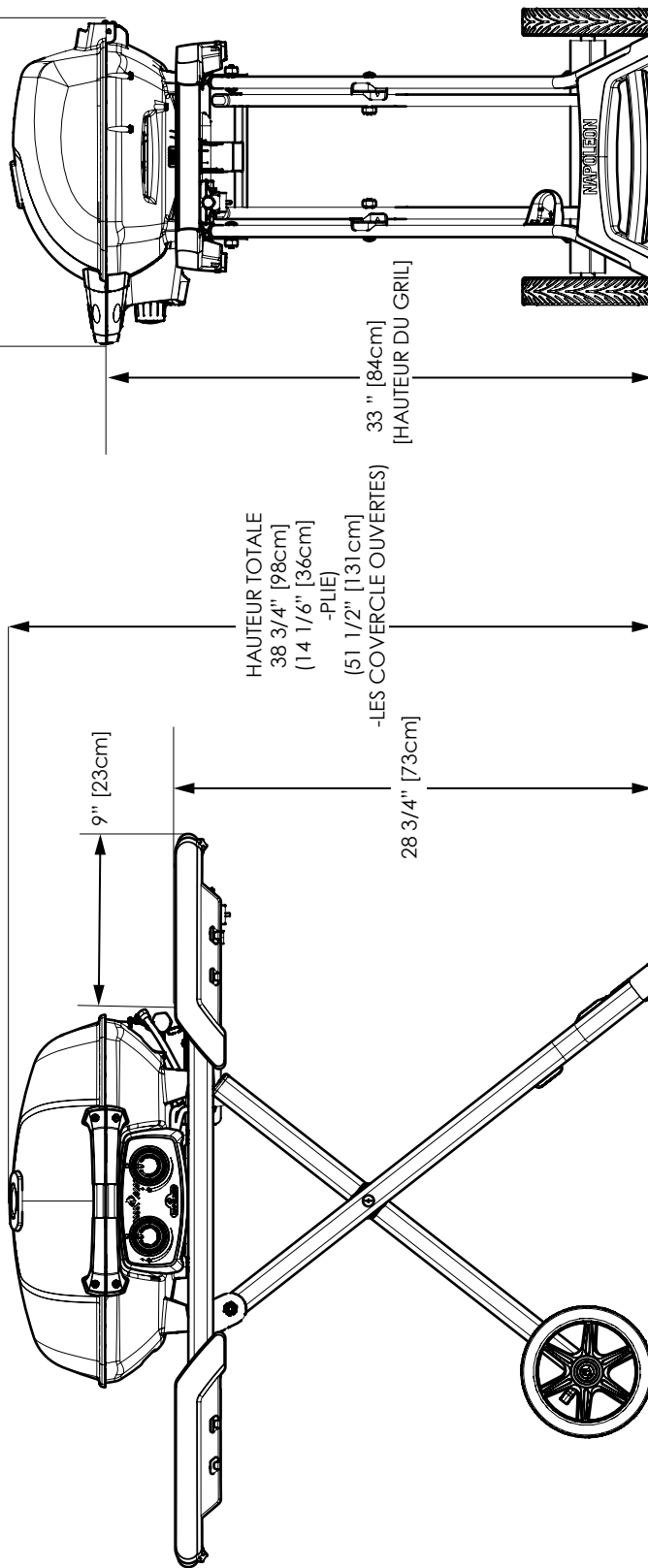
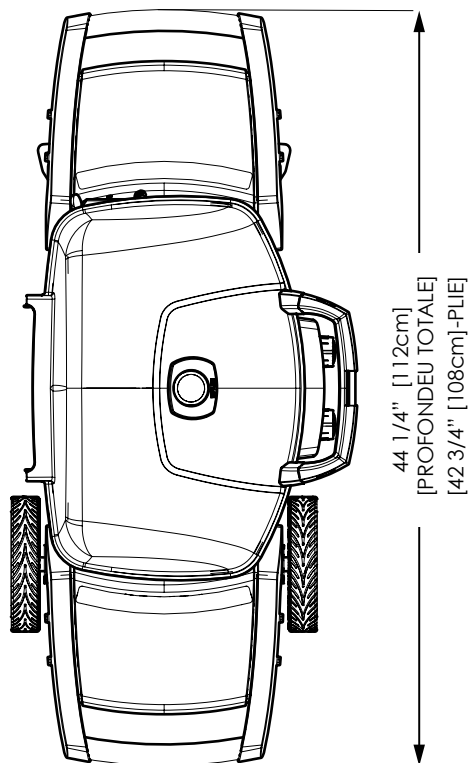
- Ce gril à gaz doit être assemblé conformément aux instructions du manuel. Si le gril a été assemblé en magasin, vous devez réviser les instructions d'assemblage afin de confirmer que le gril ait été assemblé correctement et aussi pour effectuer un test de détection de fuite avant d'utiliser le gril.
- Lire le manuel d'instructions en entier avant d'utiliser le gril.
- Ce gril doit être utilisé uniquement à l'extérieur, dans un endroit bien aéré et ne doit jamais être utilisé à l'intérieur d'un bâtiment, d'un garage, un gazebo, une véranda avec paramoustique, ou de tout autre endroit fermé.
- Ne pas utiliser cet appareil sous un auvent. Le non respect de cette mesure de sécurité pourrait entraîner un incendie ou de blessures.
- Ce gril à gaz n'est pas conçu pour être installé dans ou sur des véhicules récréatifs et/ou des bateaux.
- Ce gril à gaz est conçu pour fonctionner avec le propane seulement.
- N'installez pas le gril dans un endroit venteux. Les vents forts nuiront à la performance de cuisson de votre gril.
- Ce gril ne devra être modifié en aucun cas.
- Ne pas utiliser l'appareil sous un abri en matériaux combustibles.
- Ne pas fonctionner le gril sous une construction combustible non protégée. Respecter les dégagements recommandés aux matériaux combustibles 18" (457mm) à l'arrière du gril et 18" (457mm) sur les côtés). Un dégagement plus grand est recommandé à proximité d'un recouvrement de vinyle ou d'une surface vitrée.
- Le tuyau d'alimentation en gaz (optionnel) doit être installé de façon à ce qu'il n'entre pas en contact avec les surfaces chaudes du gril lors du fonctionnement ou lors de l'entreposage et des déplacements.
- Le cylindre de propane doit être débranché lorsque le gril à gaz n'est pas utilisé.
- Lorsque la bonbonne de propane n'est pas débranchée du gril, la bonbonne et le gril doivent être entreposés à l'extérieur, dans un endroit bien aéré.
- Lorsque le gril doit être entreposé à l'intérieur, la bonbonne de propane doit être débranchée du gril et entreposée à l'extérieur dans un endroit bien aéré, hors de la portée des enfants. Les bonbonnes de propane ne doivent en aucun temps être entreposées à l'intérieur d'un bâtiment, d'un garage ou de tout autre endroit fermé.
- Inspectez le tuyau d'alimentation en gaz avant chaque utilisation. S'il montre des signes de fendillement excessif, d'usure ou s'il est coupé, il doit être remplacé régulateur de pression et le tuyau par un ensemble de rechange spécifié par le fabricant avant d'utiliser le gril.
- Ne pas passer le tuyau d'alimentation optionnel sous le tiroir d'égouttement - le dégagement requis entre le tuyau et le fond de la cuve doit être maintenu.
- Faire un test de détection de fuites avant la première utilisation, annuellement et à chaque fois qu'une pièce du système de gaz est remplacée.
- Suivre les instructions d'allumage à la lettre lorsque vous utilisez votre gril.
- Ne pas allumer les brûleurs avec le couvercle fermé.
- La consommation d'alcool, de médicaments avec ou sans ordonnance peuvent affecter les capacités du consommateur à assembler adéquatement le gril ou de l'utiliser de façon sécuritaire.
- Ne pas laisser le gril sans surveillance lorsqu'il est allumé. En tout temps, gardez les enfants et les animaux éloignés de l'appareil.
- Ne pas déplacer le gril pendant qu'il fonctionne ou qu'il est chaud.
- Gardez les cordons électriques et les tuyaux d'alimentation en gaz éloignés des surfaces chauffantes.
- Nettoyer le tiroir d'égouttement régulièrement pour éviter les feux de graisse.
- Ne pas utiliser d'eau, de bière ou autre liquide pour contrôler les poussées de flamme.
- N'utilisez pas un pulvérisateur pour nettoyer l'appareil.
- Cet appareil n'est pas conçu pour un usage commercial.
- Ce gril à gaz n'est pas conçu et ne doit jamais être utilisé comme appareil de chauffage.

FR

# **IQ285X-1 GRILLE**

2 X 6.5 MJ/h BRÛLEUR PRINCIPAL  
 GRILL SIZE: 14 1/2" X 21 1/4" (IRRÉGULIER) = 285 in<sup>2</sup>  
 (37 cm X 54 cm (IRRÉGULIER) = 1840cm<sup>2</sup>)

TOUS LES DIMENSIONS SONT APPROXIMATIVES



## Manipuler Avec Soin



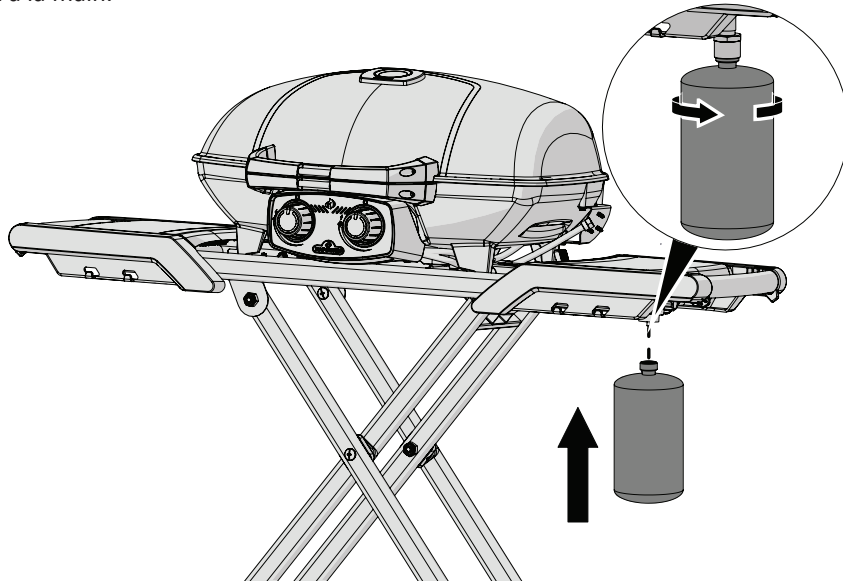
**ATTENTION!** Manipulez ou transportez votre gril avec soin afin de prévenir tout dommage et désalignement des composantes internes. Malgré que le gril a été conçu pour avoir une certaine mobilité, toute manipulation brusque ou de l'abus causeront des dommages aux composantes internes, nuisant ainsi au bon fonctionnement de votre gril.

## Information Générale

Ce gril à gaz est certifié selon les normes Nationales Canadiennes et Américaines, CSA 1.6-2018 et ANSI Z21.58-2018 pour les grils à gaz extérieurs, son installation devrait être conforme aux codes locaux. En l'absence de codes locaux, installez selon les normes courantes CAN/CSA-B149.1 du code d'installation de Propane au Canada ou selon les normes ANSI Z223.1/NFPA 54 et ANSI/NFPA 58 du "National Fuel Gas" aux États-Unis.

Utilisez uniquement le régulateur de pression fourni avec ce gril. Les régulateurs de pression de recharge doivent être ceux recommandés ou fournis par le fabricant. Le régulateur fournit une pression de 11 pouces de colonne d'eau au gril et possède un raccord femelle de type CGA#600.

**Cylindre Installation:** Les bonbonnes jetables de 1 lb (.454kg) destinées pour cet appareil doivent être munies d'un raccord mâle de type CGA #600. Cette bonbonne possède un raccord qui empêche l'écoulement du gaz jusqu'à ce qu'un joint étanche soit obtenu. Pour installer la bonbonne, vissez-la simplement dans le régulateur - serrez à la main.



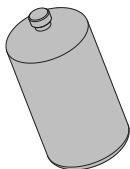
**AVERTISSEMENT!** N'utilisez que des bonbonnes de propane.



**AVERTISSEMENT!** Assurez-vous de ne pas fausser le filetage lorsque vous installez le cylindre. N'utilisez pas d'outil pour serrer le cylindre.



**AVERTISSEMENT!** Ne faites pas fonctionner le gril si le régulateur présente des signes de dommages causés par des impacts.



**AVERTISSEMENT!** Le bouchon devrait être mis en place lorsque le cylindre n'est pas utilisé afin d'empêcher la saleté et les débris de pénétrer à l'intérieur.

**AVERTISSEMENT!** Lisez les instructions sur le cylindre de propane avant d'utiliser. Un réservoir bosselé ou rouillé peut être dangereux. Jetez le cylindre si vous apercevez des particules de rouille ou des débris dans la zone de connexion du cylindre de propane.

**Instructions pour le tuyaux d'alimentation optionnel :** Un tuyau optionnel est disponible chez votre détaillant Napoléon qui permet de brancher le gril à une bonbonne de 20 lb (9,1 kg). Une bonbonne bosselée ou rouillée peut être dangereuse et devrait être vérifiée par votre fournisseur de propane. N'utilisez jamais une bonbonne avec une soupape endommagée.

Le cylindre de propane doit être fabriqué et étiqueté conformément aux spécifications américaines du D.O.T. pour les cylindres de propane ou à la norme pour les cylindres, bouteilles et tubes utilisés pour le transport des marchandises dangereuses CAN/CSA-B339, le cas échéant. La bonbonne de propane doit être équipée d'une soupape d'arrêt se raccordant à une soupape de type QCC1. Une valve de sécurité doit être branchée directement sur la bonbonne. Le système d'alimentation de la bonbonne doit être installé de manière à permettre l'évacuation des vapeurs et doit avoir un collet pour protéger la soupape de la bonbonne. La bonbonne doit être munie d'un dispositif de détection de trop-plein certifié. Pour utiliser le tuyau, branchez-le soupape de la bonbonne et le régulateur du gril. Ces raccordements doivent être serrés à la main et subir un test de détection de fuite. Assurez-vous que la soupape de la bonbonne est fermée lorsque le gril n'est pas utilisé.



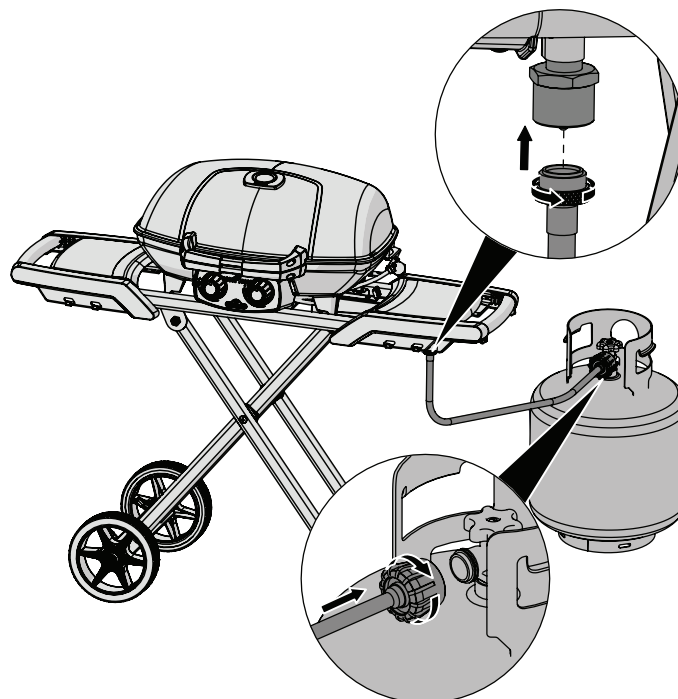
**AVERTISSEMENT!** Placez le tuyau hors des endroits où il risque d'être endommagé de façon accidentelle et hors des voies de passage pour éviter que les gens trébuchent. Ne pas renverser ou d'un cylindre d'alimentation déplacer propane.



**AVERTISSEMENT!** Si ces instructions ne sont pas suivies à la lettre, un incendie pourrait s'ensuivre, causant des blessures graves ou la mort.

- Ne rangez pas de cylindre de propane de recharge sous le gril.
- Ne remplissez jamais le cylindre à plus de 80 pour cent de sa pleine capacité.

**Proposition 65 de la Californie :** Ce produit peut vous exposer à des substances chimiques incluant le plomb et des alliages de plomb qui, selon l'État de Californie, causeraient le cancer, et des substances chimiques incluant le phtalate de di-n-butyle qui, selon l'État de Californie, causeraient des malformations congénitales ou autres dangers pour la reproduction. Pour de plus amples renseignements, visitez le [www.P65Warnings.ca.gov](http://www.P65Warnings.ca.gov).



## Test de détection de fuites



**AVERTISSEMENT!** Il doit être fait avant la première utilisation, annuellement et à chaque fois qu'une pièce du système de gaz est remplacée ou réparée



**AVERTISSEMENT!** N'utilisez pas une flamme nue pour vérifier pour des fuites de gaz. Assurez-vous qu'il n'y ait aucune étincelle ni flamme nue à proximité de l'endroit à vérifier. Les étincelles ou les flammes nues provoqueront un feu ou une explosion, causant des dommages matériels, des blessures graves ou des pertes de vie.



**Test de fuites :** Il doit être fait avant la première utilisation, annuellement et à chaque fois qu'une pièce du système de gaz est remplacée ou réparée. Ne fumez pas et enlevez toutes sources d'allumage lorsque vous faites ce test. Consultez le schéma de test de fuites pour voir les endroits à tester.



1 - Fermez tous les boutons des brûleurs. Ouvrez la soupape de la bonbonne.

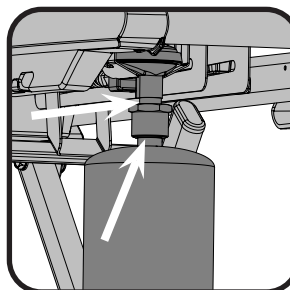
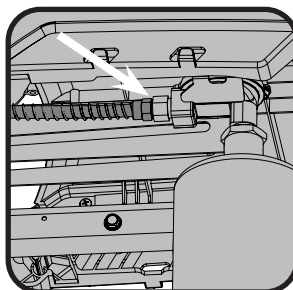
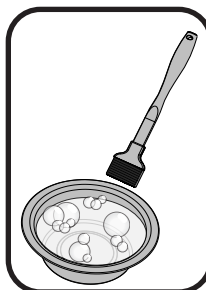
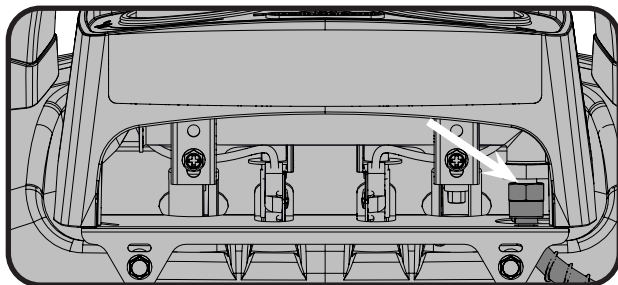
2 - Appliquez une solution de deux parts égales de savon liquide et d'eau sur tous les joints du régulateur, le tuyau et ses raccords.



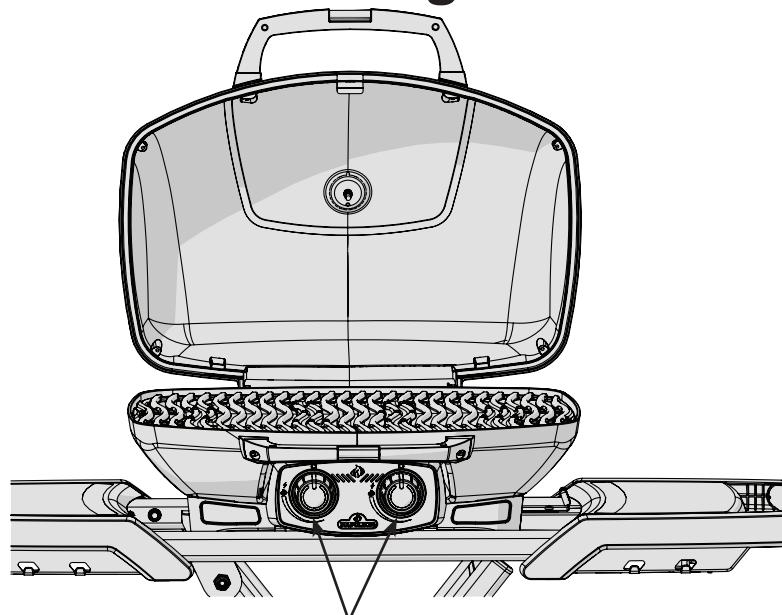
3 - Des bulles indiqueront une fuite de gaz. Resserrez le joint ou remplacez la pièce avec une autre recommandée par le Centre Solution de Napoléon et faites inspecter votre gril par votre fournisseur de gaz.



4 - Si la fuite ne peut être réparée, fermez l'alimentation de gaz à la bonbonne, enlevez-la et faites inspecter votre gril par votre fournisseur de gaz ou détaillant. N'utilisez pas l'appareil jusqu'à ce que la fuite soit réparée.



# Instruction d'allumage



Contrôle du brûleur

FR



**AVERTISSEMENT!** Ouvrez le couvercle.

**AVERTISSEMENT!** Fermez tous les boutons de contrôle des brûleurs fermez. Branchez un cylindre jetable ou ouvrez lentement la soupape d'alimentation en gaz (grand cylindre de propane).

## Allumage du brûleur principal

1. Ouvrez le couvercle.

2. Appuyez et tournez lentement un des boutons de contrôle des brûleurs principaux à « hi ». Ceci allumera le brûleur sélectionné.

3. Si le brûleur ne s'allume pas, tournez immédiatement le bouton de contrôle à « off » puis répétez l'étape 2 à plusieurs reprises.

4. Si le brûleur ne s'allume pas en moins de 5 secondes, tournez le bouton de contrôle à « off » et attendez 5 minutes pour permettre au surplus de gaz de se dissiper. Répétez les étapes 2 et 3 ou allumez avec allumette.



5. Si vous allumez l'appareil avec une allumette, fixez-la dans la tige d'allumage fournie. Tenez l'allumette allumée et abaissez-la dans le gril jusqu'en de brûleur et tournez la soupape du brûleur correspondant à "HIGH".



**AVERTISSEMENT!** Les flammes du brûleur en fonctionnement normal peuvent ne pas être visibles à la lumière du jour après l'allumage car elles sont très petites et bleu clair. La chaleur peut être ressentie lorsque vous passez votre main de 6 à 8 pouces au-dessus de la surface des grilles, indiquant un fonctionnement approprié.

# Instructions d'opération



**AVERTISSEMENT!** Ne pas utiliser cet appareil sous un auvent. Le non respect de cette mesure de sécurité pourrait entraîner un incendie ou de blessures.



**DANGER!** Attendre que le gril soit froid avant de le ranger. Le non respect de cette mesure de sécurité pourrait entraîner un incendie causant des dommages à la propriété, des blessures ou la mort.

**Éclairage initial :** Lorsqu'il est allumé pour la première fois, le gril dégagera une légère odeur. Ceci est un phénomène normal et temporaire causé par l'évaporation des peintures et lubrifiants internes utilisés dans le processus de fabrication et ne se reproduira plus. Allumez simplement les brûleurs de cuve à « élevé » pendant une demi-heure.

**Utilisation Du Brûleur:** Avant de cuire les aliments il est recommandé de préchauffer le gril à "high" avec le couvercle fermé pendant environ 10 minutes. Les aliments à cuisson courte (poisson, légumes) peuvent être grillés avec le couvercle ouvert. Une cuisson avec le couvercle fermé procurera des températures plus élevées et plus constantes qui réduiront la période de cuisson et cuiront la viande de façon plus égale. Les aliments qui requièrent un temps de cuisson de plus de 30 minutes, tels que les rôtis, peuvent être cuits en utilisant la méthode indirecte (avec le brûleur allumé du côté opposé à l'emplacement de la viande). Lorsque vous faites cuire des viandes très maigres, comme une poitrine de poulet ou du porc maigre, il est à conseiller de huiler les grilles de cuisson avant le préchauffage ce qui aura pour effet d'empêcher la viande de trop coller aux grilles. Le fait de cuire de la viande avec beaucoup de gras, peut causer des flambées soudaines. Il suffit alors d'enlever le gras avant la cuisson ou de réduire la température pour remédier à ce problème. En cas de flambées, éloignez les aliments de la flamme et réduisez la température. Gardez le couvercle ouvert. Pour des instructions plus détaillées, veuillez consulter le "Livre de recettes toutes saisons" de NAPOLEON.

## Nettoyage



**AVERTISSEMENT!** Portez toujours des gants protecteurs et des lunettes de sécurité lorsque vous faites l'entretien de votre gril.



**AVERTISSEMENT!** Assurez-vous que les brûleurs sont éteints avant de nettoyer. Éviter tout contact avec les surfaces chaudes. Nettoyez votre gril dans un endroit où les produits de nettoyage n'endommageront pas votre patio, terrain ou terrasse. N'utilisez pas de produit de nettoyage à fourneau pour nettoyer votre gril. La sauce BBQ et le sel sont très corrosifs et causeront une détérioration très rapide de votre gril à moins que vous ne fassiez un nettoyage régulier.



**Note :** L'acier inoxydable a tendance à s'oxyder ou à tacher en présence de chlorures et de sulfures que l'on retrouve particulièrement dans les zones côtières ainsi que dans les environnements chauds et humides tels que les piscines et les spas. Ces taches peuvent être prises pour de la rouille mais elle peuvent être facilement enlevées et même évitées. Afin de prévenir les taches, nettoyez toutes les surfaces en acier inoxydable et en chrome toutes les trois à quatre semaines ou au besoin avec de l'eau douce et un nettoyant à acier inoxydable.

**Grilles de cuisson en fonte :** Les grilles de cuisson incluses avec votre nouveau gril offrent une rétention et une distribution supérieures de la chaleur. En huilant vos grilles de cuisson, vous vous trouvez à ajouter une couche de protection qui aidera les grilles à mieux résister contre la corrosion et à augmenter les caractéristiques antiadhésives.

**Première utilisation :** Nettoyez les grilles de cuisson à la main avec un savon à vaisselle doux et de l'eau afin d'enlever tout résidu provenant du procédé de fabrication (ne jamais laver au lave-vaisselle). Rincez bien avec de l'eau chaude et séchez complètement avec un linge doux. Ceci est important pour éviter que de l'humidité pénètre la fonte.

**Entretien :** À l'aide d'un linge doux, appliquez une couche de SHORTENING VÉGÉTAL à haut point de fumée sur toute la surface de la grille en vous assurant de couvrir toutes les encoches et les coins. L'huile de tournesol, d'avocat ou de canola est recommandée. N'utilisez pas de corps gras salés comme du beurre ou de la margarine. Préchauffez votre gril à 350 ° - 400 ° F (176 ° - 204 ° C). Placer les grilles enduites dans le gril. Fermer le couvercle et cuire 30 minutes. Appliquer une deuxième couche à l'aide d'une brosse en silicone et cuire encore 30 minutes. Éteignez le brûleur et fermez l'alimentation en gaz à la source. Laissez refroidir les grilles de cuisson Cette procédure doit être répétée plusieurs fois au cours de la saison toutes les 3 à 4 utilisations.

**Remarque:** si de la rouille s'est formée sur les grilles en fonte, nettoyez-les avec un tampon à récurer ou une brosse en laiton et répétez le processus d'assaisonnement.

**Utilisation quotidienne :** Avant de préchauffer et de nettoyer avec une brosse en laiton, appliquez une couche de SHORTENING VÉGÉTAL sur toute la surface des grilles. Préchauffez le gril et enlevez tous les résidus avec une brosse en laiton.



**Nettoyage De l'intérieur Du Gril:** Enlevez les grilles de cuisson. Utilisez une brosse en laiton pour enlever les débris non-incrustés sur les côtés de la cuve et à l'intérieur du couvercle. Nettoyez tous les débris qui se trouvent à l'intérieur du gril en les faisant tomber dans le tiroir d'égouttement.

**Nettoyage Du Tiroir D'égouttement :** Sortez le tiroir d'égouttement pour en faciliter le nettoyage. Il devrait être nettoyé fréquemment afin d'éviter une accumulation de graisse. La graisse et les jus de cuisson s'accumulent dans le tiroir d'égouttement qui se trouve sous le gril. L'accumulation de graisse peut créer un risque de feu. Ne tapissez jamais votre tiroir d'égouttement avec du papier d'aluminium car ceci aurait pour effet de nuire à l'approvisionnement en air nécessaire au bon fonctionnement du brûleur. Le tiroir d'égouttement devrait être gratté à l'aide d'un couteau à mastic ou d'un grattoir.

**ATTENTION!** Assurez-vous que le plateau d'égouttement est vide et nettoyé avant de transporter le gril à la verticale.

**Nettoyage de l'extérieur du gril :** N'utilisez pas de produits abrasifs pour nettoyer les pièces peintes, de fini porcelaine ou en acier inoxydable. Les éléments en porcelaine émaillée doivent être manipulés avec soin. Le fini émaillé étant cuit, il devient comme du verre; il s'ébrêchera au moindre choc. Vous pouvez vous procurer de la peinture émaillée pour les retouches chez votre détaillant Napoléon. Utilisez une solution d'eau savonneuse chaude pour nettoyer l'extérieur du gril pendant qu'il est encore tiède au toucher. Pour nettoyer les surfaces en acier inoxydable, utilisez un produit de nettoyage à acier inoxydable ou un produit de nettoyage tout usage sans abrasif. Frottez toujours dans le sens du grain. N'utilisez pas de laine d'acier car elle égratignerait le fini. Les pièces en acier inoxydable vont décolorer sous l'effet de la chaleur pour habituellement prendre une couleur dorée ou brune. Cette décoloration est normale et n'affectera pas la performance du gril.

## Instructions d'entretien

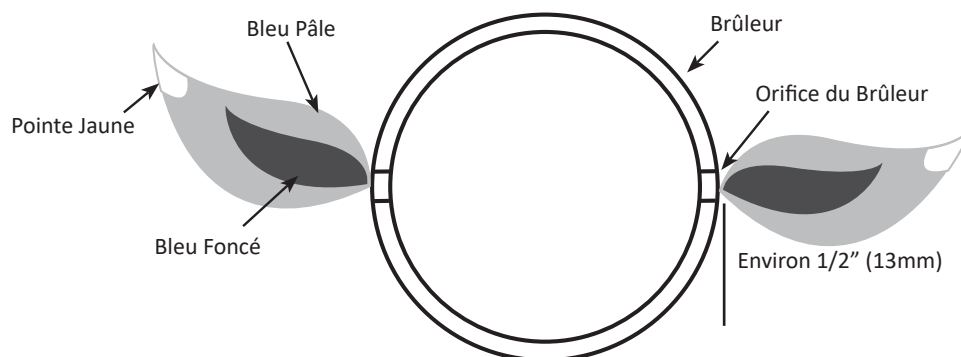
Nous vous conseillons de faire inspecter ce gril à gaz annuellement par un technicien de service qualifié.

L'emplacement du gril à gaz doit être gardé libre de tous matériaux combustibles, essence ou autres liquides et vapeurs inflammables en tout temps. Les apports d'air comburant et d'air de ventilation ne doivent pas être obstrués.



**AVERTISSEMENT!** Portez toujours des gants protecteurs et des lunettes de sécurité lorsque vous nettoyez votre gril.

**AVERTISSEMENT!** Fermez le gaz à la source et débranchez l'appareil avant l'entretien. L'entretien devrait être effectué seulement lorsque le gril est froid pour éviter toutes possibilités de brûlure. Un test de détection de fuites devrait être effectué annuellement ou à chaque fois qu'une composante de gaz est remplacée.



**Brûleur :** Le brûleur est fabriqué à partir d'acier inoxydable 304 de gros calibre, mais la chaleur extrême et un environnement corrosif peuvent provoquer de la corrosion de surface. Cette corrosion peut être enlevée avec une brosse en laiton.



**ATTENTION!** Méfiez-vous des araignées.

Les araignées et les insectes sont attirés par l'odeur du propane et du gaz naturel. Le brûleur est équipé d'un grillage sur le volet d'air, ce qui réduit la probabilité que des insectes se construisent des nids dans le brûleur, mais n'élimine pas complètement le problème. La présence d'un nid ou d'une toile d'araignée dans le brûleur produira une flamme jaune pâle ou orangée ou causera un feu (retour de flamme) au niveau du volet d'air sous le panneau de commande. Pour nettoyer l'intérieur du brûleur, retirez-le du



gril à gaz : Enlevez la(les) vis servant à fixer le support du pont d'allumage et le brûleur à la base. Glissez le brûleur vers l'arrière et vers le haut pour le retirer. Nettoyage : Utilisez une brosse à venturi flexible pour nettoyer l'intérieur du brûleur. Secouez tous les débris hors du brûleur en les faisant sortir par l'ouverture de l'arrivée du gaz. Vérifiez si les orifices du brûleur et les orifices des soupapes sont obstrués. Les orifices des brûleurs peuvent s'obstruer au fil du temps en raison des débris et de la corrosion; utilisez un trombone déplié pour les nettoyer. Les orifices sont plus faciles à nettoyer si le brûleur est retiré de l'appareil, mais le nettoyage peut aussi être fait même si le brûleur est en place.

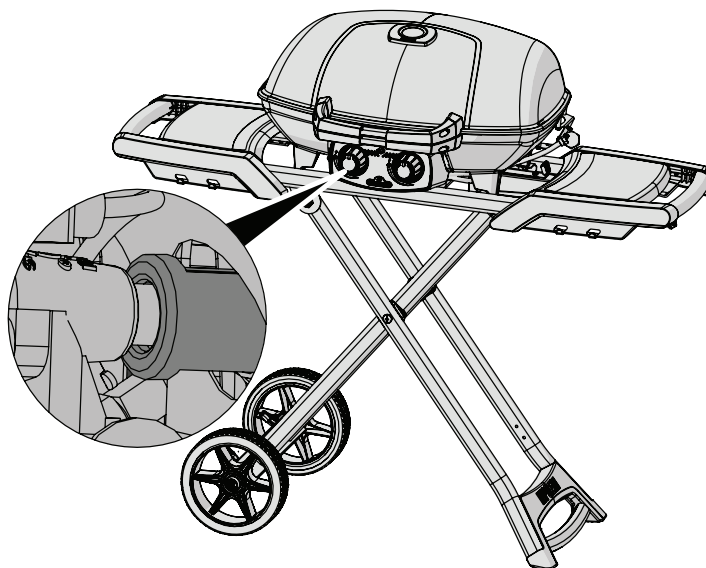
**ATTENTION!** Prenez soin de ne pas agrandir les trous.

Assurez-vous que le grillage contre les insectes est propre, serré et exempt de fibres ou autres débris.

**Réinstallation:** Inversez la procédure pour réinstaller le brûleur. Lors de l'installation, vérifiez si la soupape entre dans le brûleur. Réinstallez le support du pont d'allumage et serrez les vis pour compléter l'installation.



**AVERTISSEMENT!** Lors de la réinstallation du brûleur après le nettoyage, il est très important que la soupape / l'orifice entre dans le brûleur avant que vous allumiez votre gril à gaz. Si la soupape n'est pas à l'intérieur du brûleur, un feu ou une explosion pourrait survenir.



**AVERTISSEMENT!** Boyau (facultative): Vérifiez l'usure, coupures, craquelures ou s'il est fondu. Si vous découvrez une de ces déficiences, n'utilisez pas votre gril. Faites remplacer la pièce par votre détaillant NAPOLEON ou par un installateur qualifié.

# Guide De Dépannage

Problème	Causes possibles	Solutions
Faible chaleur/petite flamme lorsque le bouton de contrôle est à "high".	Le débit du gaz est bloqué.  Mauvais préchauffage.  La bonbonne ne suffit pas à la demande..	Vérifiez pour des toiles d'araignée à l'intérieur du brûleur ou de l'orifice.  Préchauffez le gril en allumant le brûleur à "high" pendant 5 à 10 minutes  Après de longues périodes de cuisson ou lorsque la bonbonne est presque vide ou que la température extérieure est basse, les bonbonnes de 1 lb n'ont pas suffisamment de vaporisation pour permettre au propane liquide de se transformer en gaz. Installez une nouvelle bonbonne de 1 lb ou branchez le gril à une bonbonne de 20 lb.
Poussées de flamme excessives/chaleur inégale.	Mauvais préchauffage  Accumulation excessive de graisse et de cendres sur le dans le tiroir d'égouttement.	Préchauffez le gril en allumant le brûleur à "high" pendant 5 à 10 minutes.  Nettoyez le tiroir d'égouttement régulièrement. Ne tapissez pas le tiroir d'égouttement avec du papier d'aluminium. Consultez les instructions de nettoyage.
Les flammes produites par les brûleurs sont jaunes et vous détectez une odeur de gaz.	Possibilité de toiles d'araignée ou autres débris, ou d'un mauvais ajustement du volet d'air.	Retirez le brûleur et nettoyez-le complètement. Consultez les instructions d'entretien. Ouvrez légèrement le volet d'air tout en vous conformant aux instructions de réglage du volet d'air. (ceci doit être effectué par un installateur de gaz qualifié)
Les flammes se détachent du brûleur, accompagnées d'une odeur de gaz et possiblement une difficulté d'allumage.	Mauvais ajustement du volet d'air.	Fermez légèrement le volet d'air tout en vous conformant aux instructions de réglage du volet d'air. (ceci doit être effectué par un installateur de gaz qualifié)
Le régulateur murmure lorsque l'appareil fonctionne.	Problème normal par temps chaud.	Ceci n'est pas un défaut. Le murmure est causé par une vibration à l'intérieur du régulateur et n'affecte en rien la performance et la sécurité du gril à gaz. Les régulateurs émettant un murmure ne seront pas remplacés.
Le brûleur ne s'allume pas avec l'allumeur mais s'allume avec une allumette.	La sortie de l'allumeur Jet-fire est sale ou obstruée est sale ou obstrué.	Nettoyez la sortie de l'allumeur Jet-fire avec une brosse à poils doux.
La peinture semble peler à l'intérieur du couvercle ou de la hotte.	Accumulation de graisse sur les surfaces internes.	Ceci n'est pas un défaut. Le fini du couvercle est en acier inoxydable et ne pèlera pas. Le pelage est causé par la graisse qui durcit et sèche comme des éclats de peinture qui pèlent. Un nettoyage régulier préviendra ce problème. Consultez les instructions de nettoyage.
Le contrôle est réglé à "high" mais la chaleur générée par le brûleur est trop basse. (Grondement et flamme bleue irrégulière à la surface du brûleur.) Modèle infrarouge seulement.	Manque de gaz.  Le tuyau d'alimentation en gaz est pincé.  L'injecteur du brûleur est sale ou obstrué.  Présence de toiles d'araignée ou autres débris dans le tube du venturi.	Vérifiez le niveau de propane dans la bonbonne.  Remplacez le tuyau d'alimentation convenablement.  Nettoyez l'injecteur du brûleur.  Nettoyez le tube du venturi.

**GARDEZ VOTRE REÇU COMME PREUVE D'ACHAT POUR VALIDER VOTRE**

# Commande de pièces de rechange

## Information sur la garantie

MODÈLE : \_\_\_\_\_

DATE D'ACHAT : \_\_\_\_\_

NUMÉRO DE SÉRIE : \_\_\_\_\_

FR

### ***(Inscrivez l'information ici pour y avoir accès facilement.)***

Pour commander des pièces de rechange ou faire une réclamation sous garantie, communiquez avec le détaillant Napoléon où le produit a été acheté.

Avant de contacter le détaillant Napoléon, consultez le site Web des grils Napoléon pour obtenir plus de renseignements sur le nettoyage, l'entretien, le dépannage et les pièces à [www.napoleon.com](http://www.napoleon.com)

Pour qu'une réclamation soit traitée, l'information suivante est nécessaire :

1. Modèle et numéro de série de l'appareil.
2. Numéro de la pièce et description.
3. Description concise du problème (« cassé » n'est pas suffisant).
4. Preuve d'achat (copie de la facture).

Dans certains cas, Napoléon peut vous demander de retourner la pièce à des fins d'inspection avant de fournir une pièce de rechange.

Avant de contacter le détaillant Napoléon, veuillez noter que la garantie ne couvre pas les éléments suivants :

- coûts de transport, de courtage et frais d'exportation;
- coûts de main-d'oeuvre pour l'enlèvement et l'installation de la pièce;
- coûts des appels de service pour diagnostiquer le problème;
- décoloration des pièces en acier inoxydable;
- casse des pièces causée par un manque d'entretien et de nettoyage, ou par l'utilisation de nettoyeurs inappropriés (nettoyant à fourneau ou autres produits chimiques agressifs).



**CAUTION!** During unpacking and assembly we recommended you wear work gloves and safety glasses for your protection. Although we make every effort to make the assembly process as problem free and safe as possible, it is characteristic of fabricated steel parts that the edges and corners might be sharp and could cause cuts if handled incorrectly.



**ATTENTION!** Lors du déballage et de l'assemblage, nous vous conseillons de porter des gants de travail et des lunettes de sécurité pour votre protection. Malgré tous nos efforts pour assurer que l'assemblage soit aussi sécuritaire et sans problème que possible, il se peut que les bords et les coins des pièces usinées en acier soient coupants et qu'ils causent des coupures si les pièces ne sont pas manipulées correctement.

***TOOLS REQUIRED FOR ASSEMBLY (tools not included)***

***OUTILS REQUIS POUR L'ASSEMBLAGE (outils non inclus)***

3/8" (10 mm)





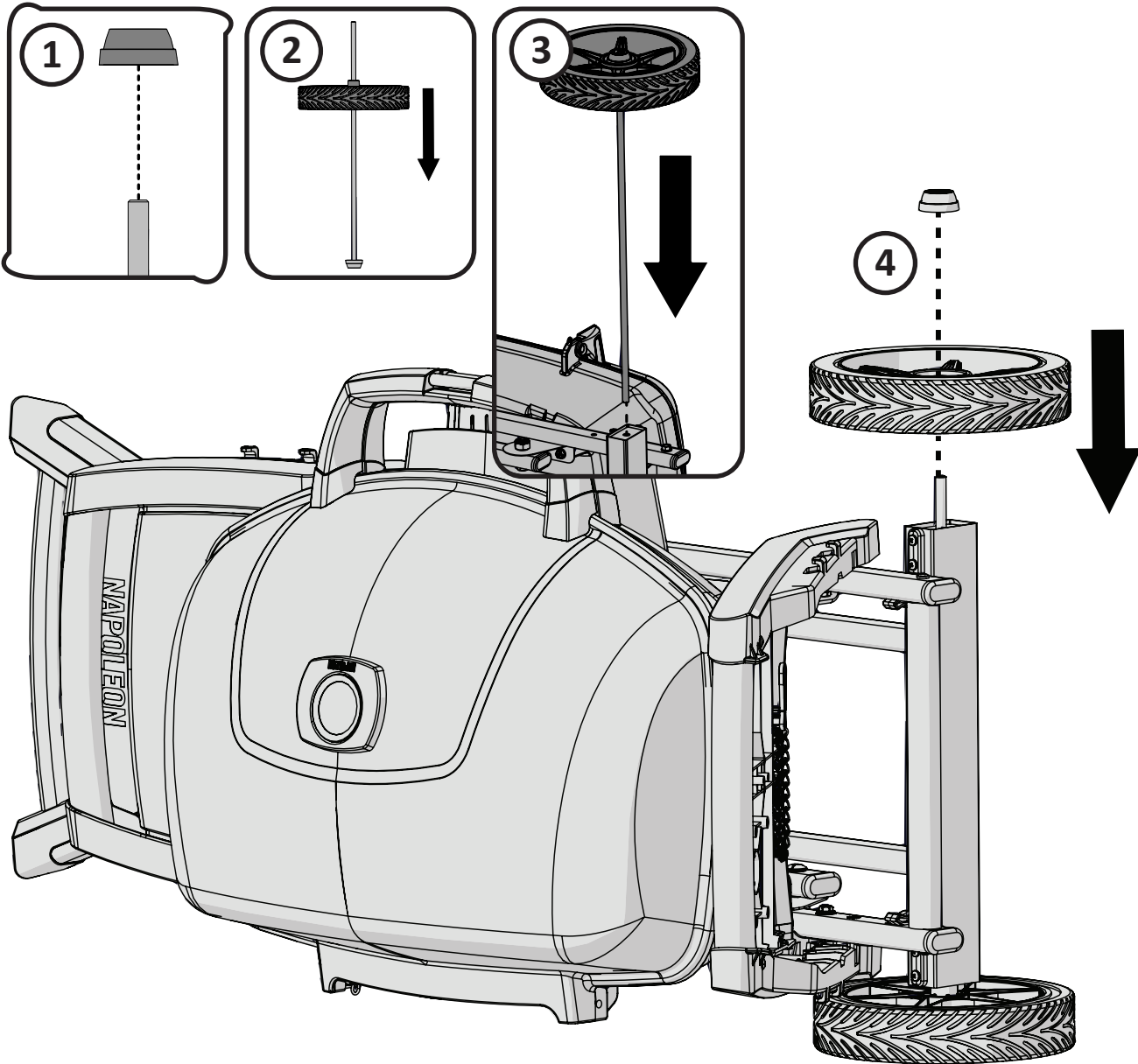
x2

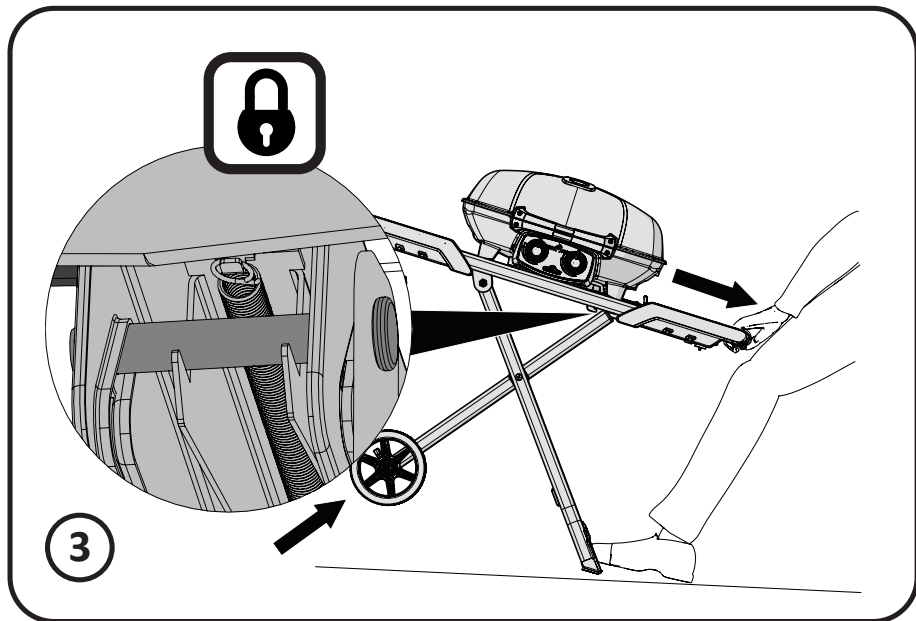
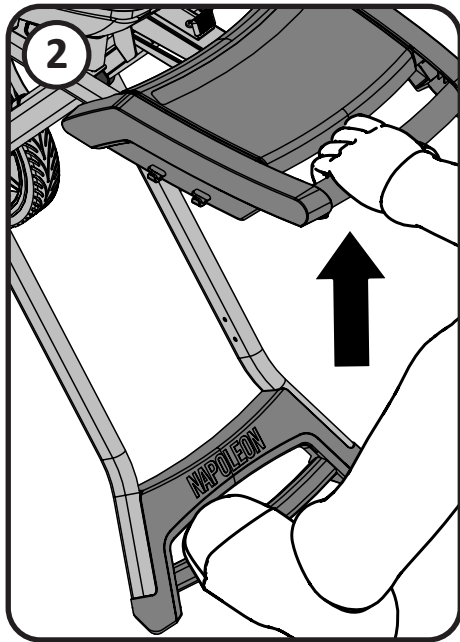
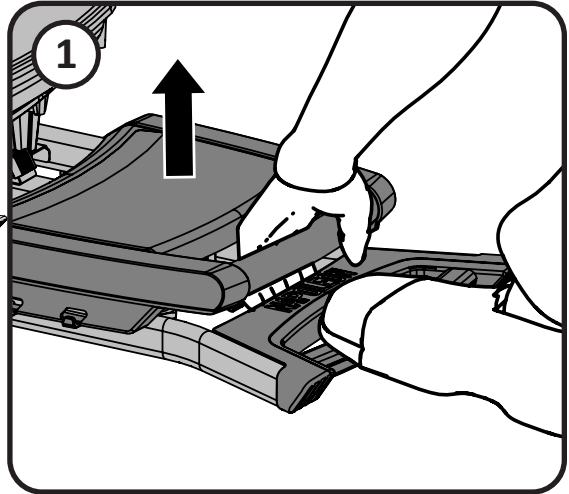
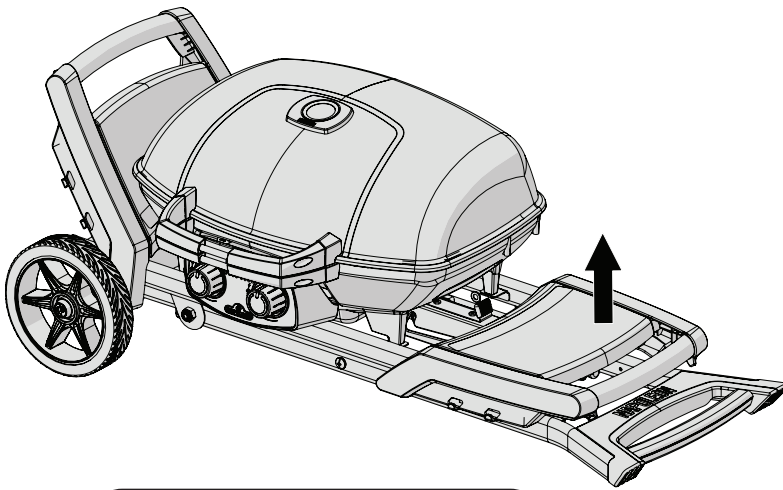
N450-0043 (8mm)

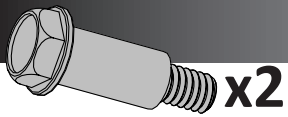
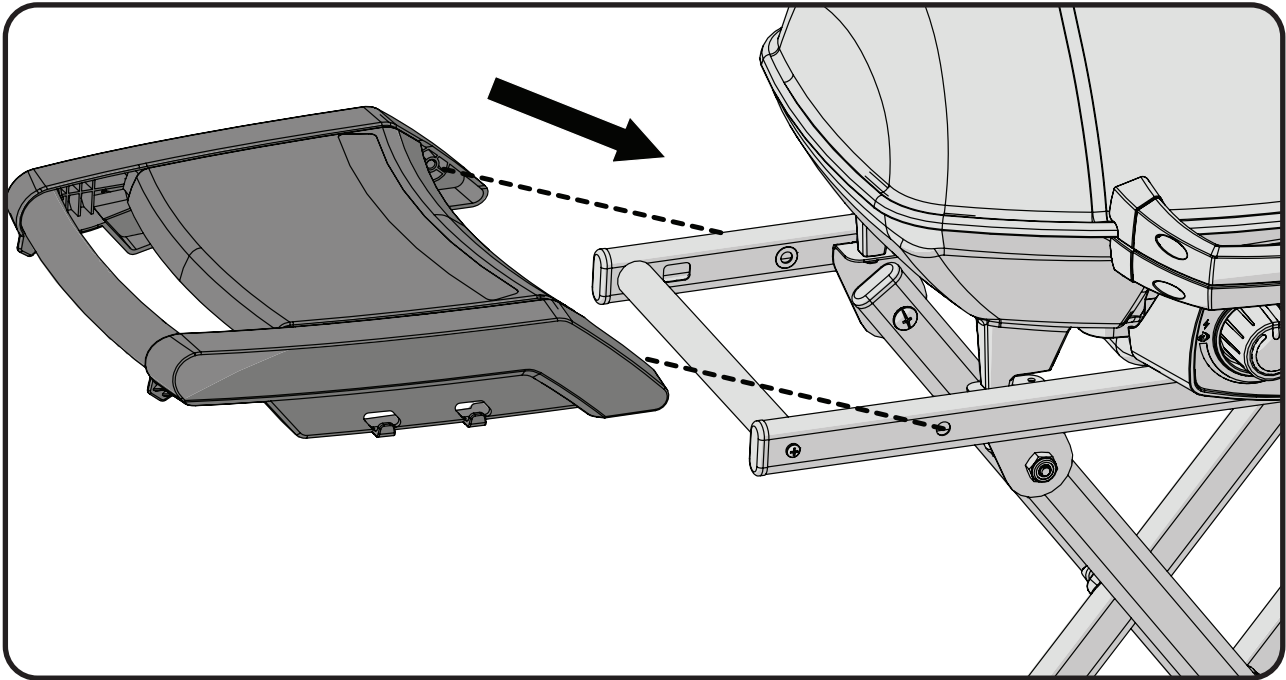


If necessary the axle cap can be tapped with a rubber mallet.

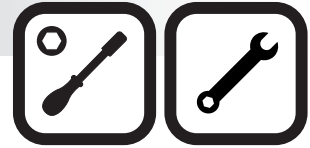
Si nécessaire, le essieu peut être enfoncé avec un maillet en caoutchouc.



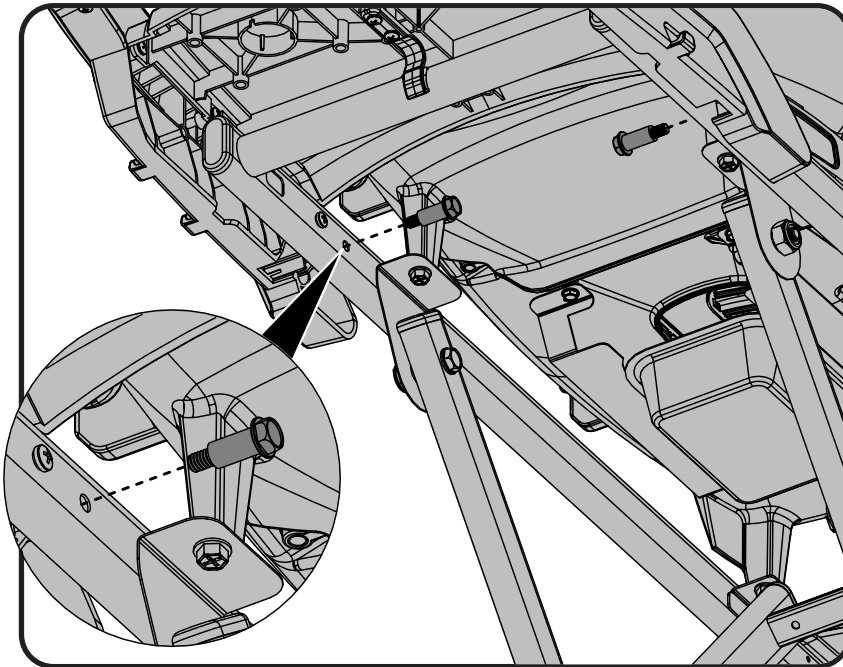


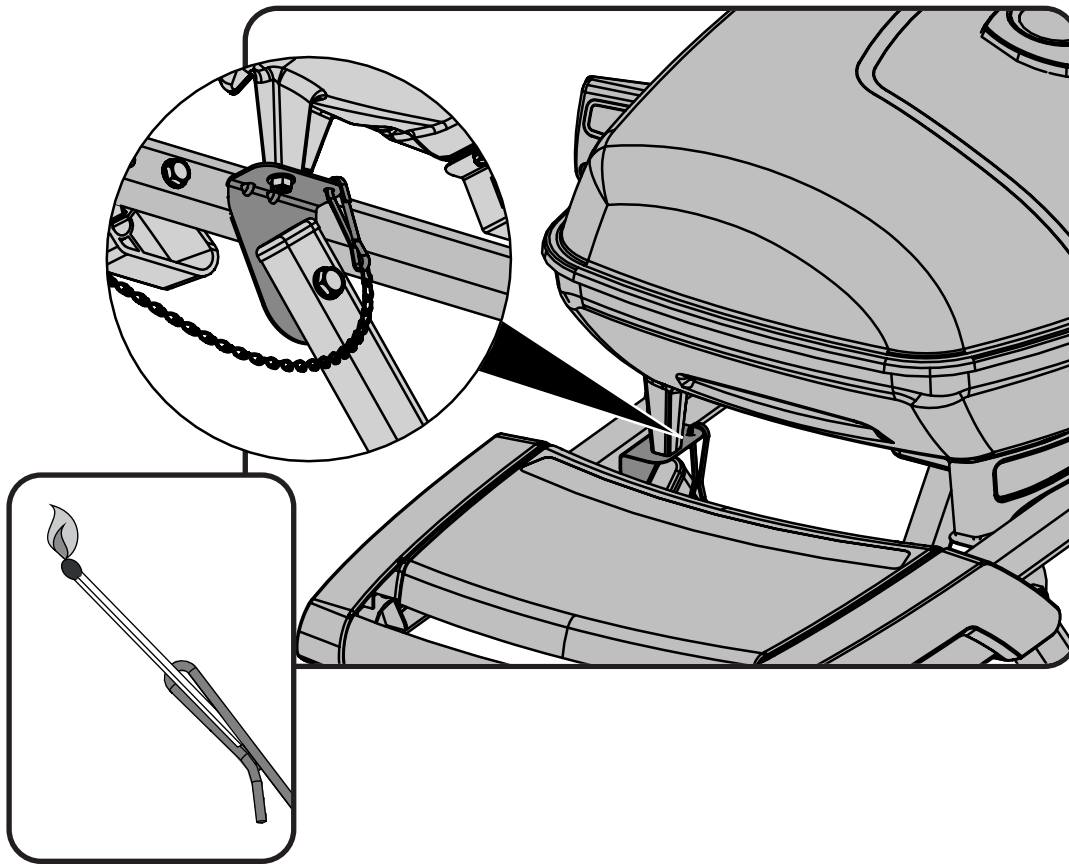


N570-0110 (1/4"-20)



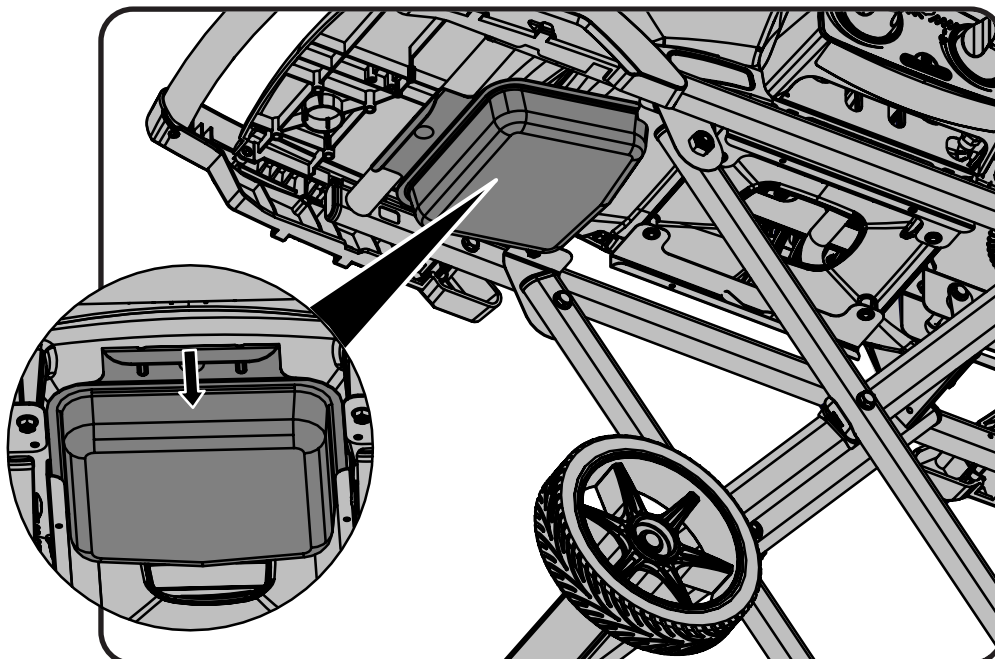
3/8" (10mm)



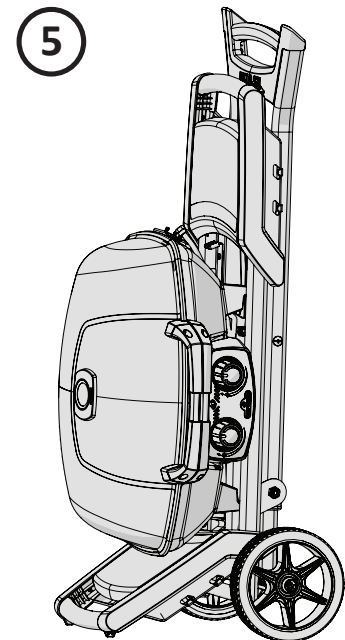
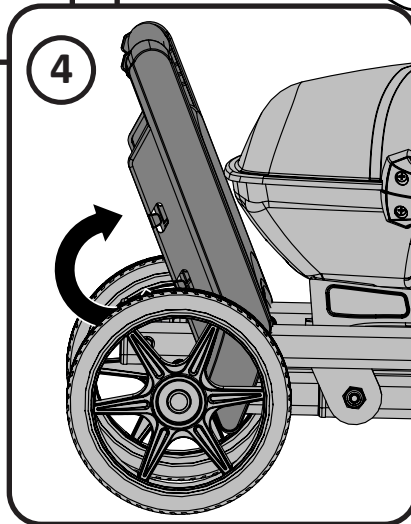
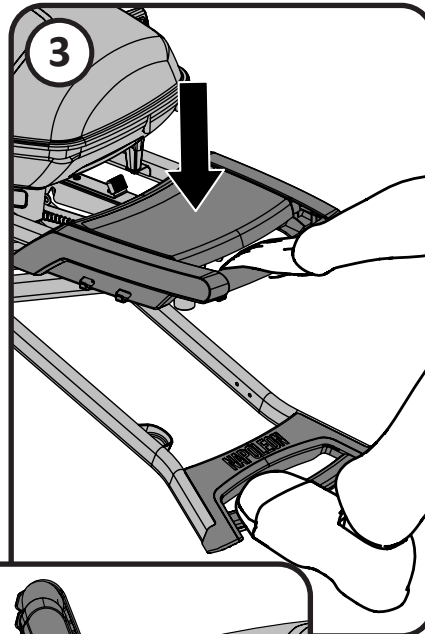
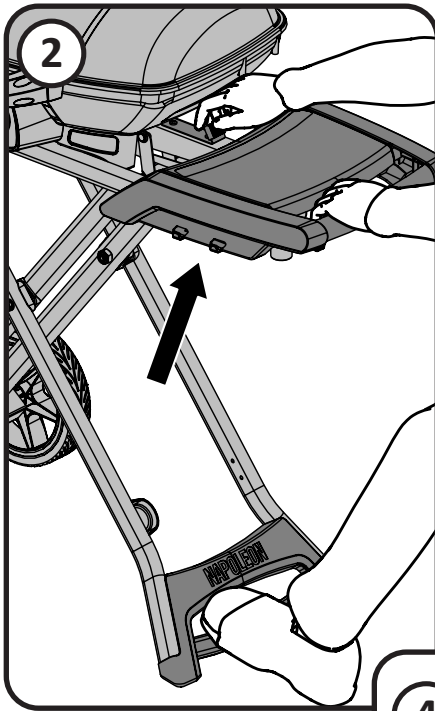
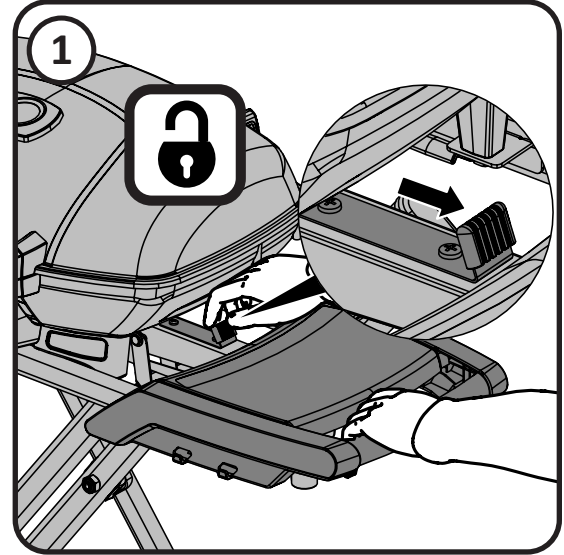
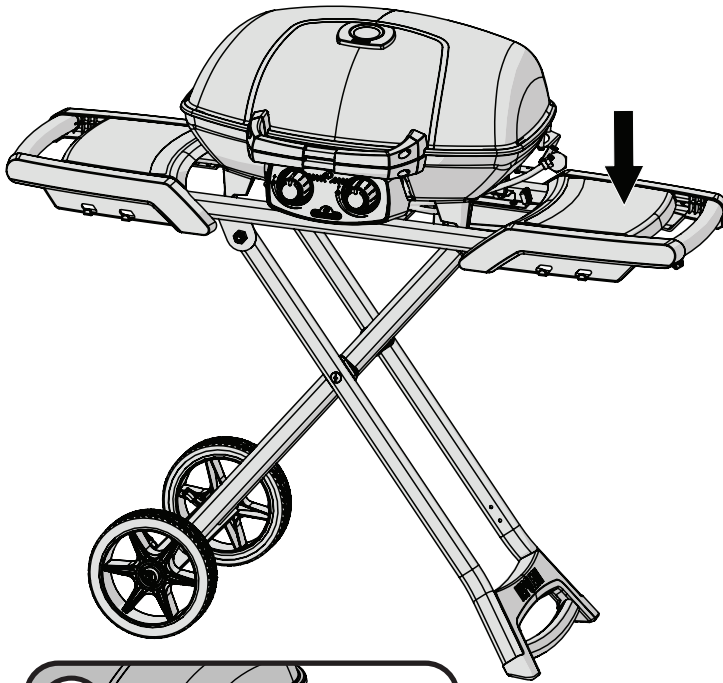


**CAUTION!** Ensure drip pan is empty and clean before transporting grill in vertical position.

**ATTENTION!** Assurez-vous que le plateau d'égouttement est vide et nettoyé avant de transporter le grill à la verticale.







## TQ285X-1 PARTS LIST / LISTE DES PIÈCES

	Part # / Partie #	Description / La Description	TQ285X-1
1	N325-0085-SS1SG	handle cart / poignée de chariot	x
2	N120-0023	cap nylon / capuchon en nylon	x
3	Z570-0036	screw 1/4-20 x 7/8" / vis 1/4-20 x 7/8"	x
4	N325-0086-SS1SG	handle cart shelf / poignée de tablette	x
5	N120-0022	cap shelf / embout en de le tablette latéral	x
6	N120-0021	cap shelf / embout en de le tablette latéral	x
7	N570-0013	screw #8 x 5/8" / vis #8 x 5/8"	x
8	N590-0237	shelf left / right / tablette latérale, gauche / droite	x
9	N570-0076	screw #8 x 1/2" / vis #8 x 1/2"	x
10	N570-0111	screw #14 x 1 1/4" / vis #14 x 1 1/4"	x
11	N010-0804-SS1SG	cart front beam / avant barre de traverse	x
12	N010-0805-SS1SG	cart rear beam / arrière barre de traverse	x
13	N525-0047-BK1SG	rail sliding track / piste	x
14	N530-0049	regulator / régulateur	x
15	Z080-0032-BK1HT	bracket regulator mount / support régulateur	x
16	N570-0086	screw #14 x 1/2" / vis #14 x 1/2"	x
17	N135-0045-BK1HT	base / base	x
18	N570-0104	screw 10-24 x 3/8" / vis 10-24 x 3/8"	x
19	N475-0319	control panel / panneau de contrôle	x
20	N010-0773	manifold / ensemble du collecteur	x
21	N570-0078	screw M4 x 8mm / vis M4 x 8mm	x
22	N585-0089-BK1HT	heat shield control panel / pare-chaleur panneau de contrôle	x
23	N380-0042	control knob / bouton de contrôle	x
24	N200-0109-BK1HT	cover right leg / couvercle droit patte	x
25	N200-0108-BK1HT	cover left leg / couvercle gauche patte	x
26	N710-0079	drip pan / tiroir d'égouttement	x
27	N010-0821	bracket drip pan left / support tiroir d'égouttement gauche	x
28	N010-0822	bracket drip pan right / support tiroir d'égouttement droit	x
29	N570-0073	screw 1/4-20 x 3/8" / vis 1/4-20 x 3/8"	x
30	Z570-0033	screw 10-24 x 12mm / vis 10-24 x 12mm	x
31	N100-0047	burner right / brûleur droit	x
32	N100-0046	burner left / brûleur gauche	x
33	N655-0158	support handle left / support de la poignée du base gauche	x
34	N655-0159	support handle right / support de la poignée du base droit	x
35	Z570-0029	screw 10-24 x 35mm / vis 10-24 x 35mm	x
36	N325-0082	handle top/bottom / poignée supérieur/inférieur	x
37	N485-0023	clevis pin / clavette en U	x
38	N485-0021	cotter pin / clavette d'arrêt	x
39	N080-0302	cross light bracket / support pour l'allumage croisé du brûleur	x
40	N305-0087-BK2FL	cooking grid left / grille de cuisson gauche	x
41	N305-0088-BK2FL	cooking grid right / grille de cuisson droit	x
42	N735-0018	washer leg pivot / rondelle patte pivoter	x
43	N720-0067-SS1SG	tube cart side / patte	x
44	N272-0001	foot scissor cart / pied patte	x
45	N325-0084	handle scissor cart foot / poignée pied patte	x
46	N200-0107	dust cover regulator / couvercle régulateur	x
47	N010-0806-SS1SG	cart wheel side / patte avec roue	x
48	Z745-0001	wheel 8" / roue 8"	x
49	N015-0009	axle / roue bague	x

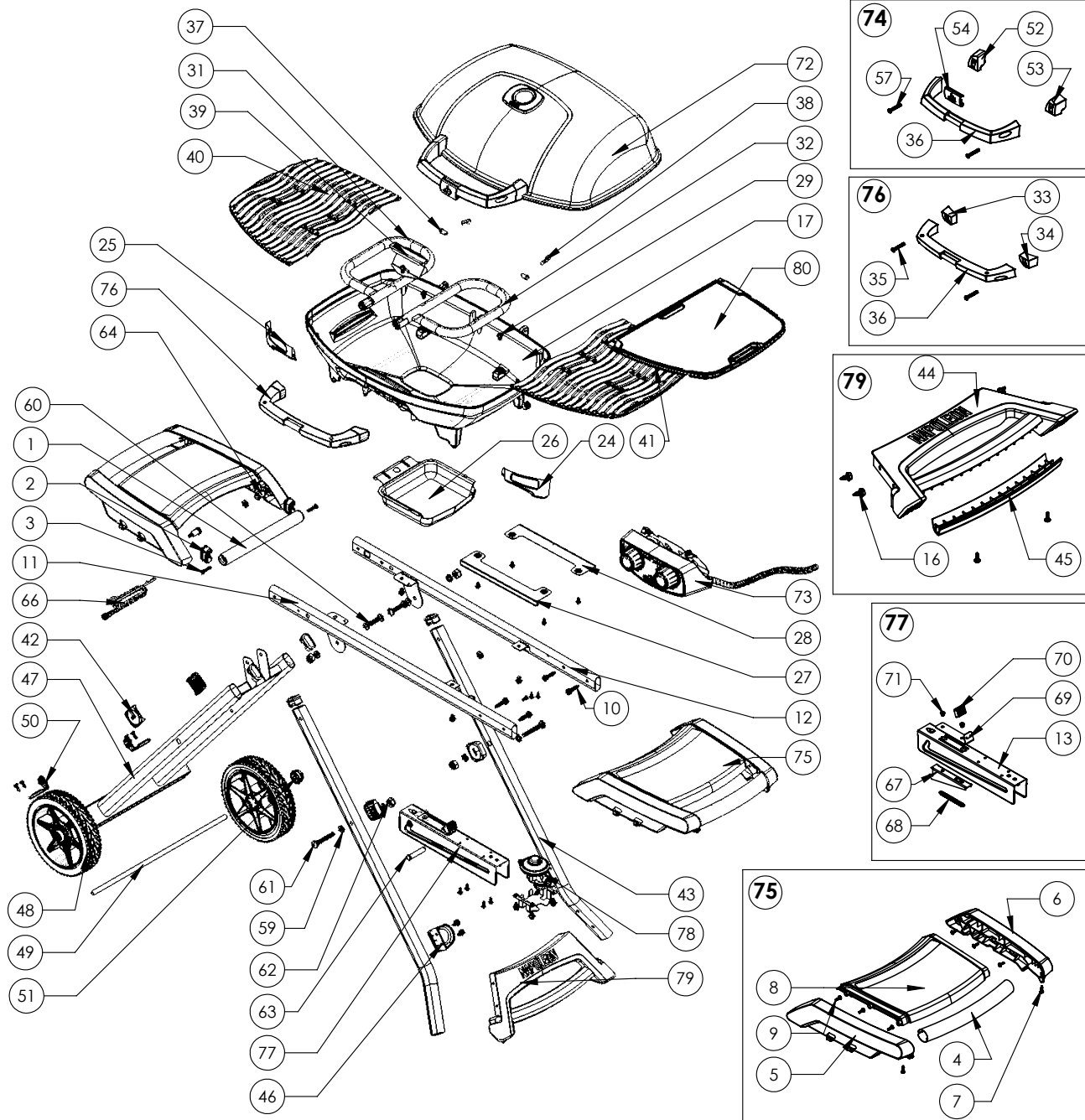
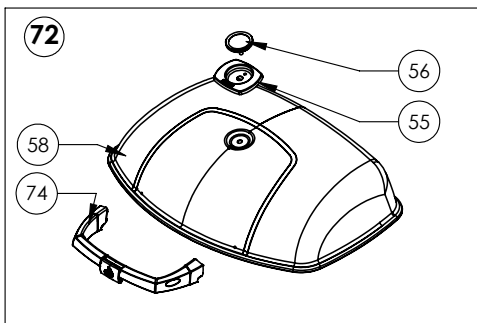
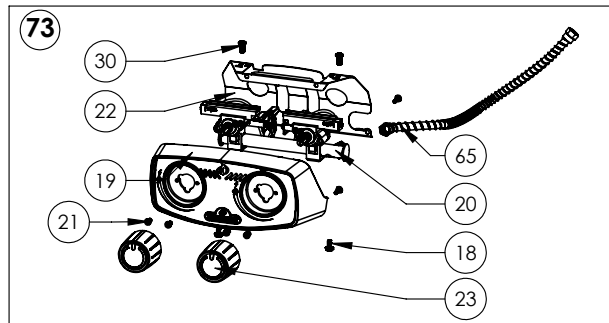
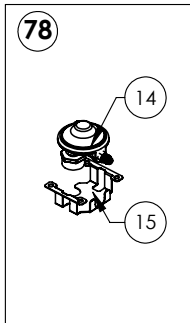
## TQ285X-1 PARTS LIST / LISTE DES PIÈCES

	Part # / Partie #	Description / La Description	TQ285X-1
50	N160-0026	clip tubing / clip de retenue	x
51	N450-0043	nut axle cap / essieu	x
52	N655-0210	support lid handle left / support de la poignée du couvercle gauche	x
53	N655-0211	support lid handle right / support de la poignée du couvercle droit	x
54	N390-0003	latch handle / loquet	x
55	N051-0009	bezel temperature gauge / monture de jauge de température	x
56	N685-0015	temperature gauge / jauge de température	x
57	Z570-0037	Screw 10-24 x42mm / vis 10-24 x42mm	x
58	N135-0066	lid TQ285-1 / couvercle TQ285-1	x
59	N735-0019	washer, 8mm / rondelle, 8mm	x
60	N570-0108	screw M8 x 35mm / vis M8 x 35mm	x
61	N570-0109	screw M8 x 60mm / vis M8 x 60mm	x
62	Z450-0015	nut M8 / écrou M8	x
63	N485-0022	clevis pin 8mm x 50mm / clavette en U 8mm x 50mm	x
64	N570-0110	screw shoulder / vis épaule	x
65	N720-0060	flex connector manifold / connecteur flexible du collecteur	x
66	N555-0097	lighting rod / tige d'allumage	x
67	N390-0004-BK1SG	latch slide / loquet barrette	x
68	N630-0006	spring / spring	x
69	N390-0005-SS1SG	latch handle / loquet poignée	x
70	N500-0042B	rubber handle / poignée	x
71	Z570-0023	screw 10-24 x 6mm / vis 10-24 x 6mm	x
72	N010-1155-BL	assembly lid blue / ensemble couvercle bleu	x
	N010-1155-RD	assembly lid red / ensemble couvercle rouge	x
73	N010-1173-SER	assembly control panel / ensemble panneau de contrôle	x
74	N010-1156-SER	assembly handle top / ensemble poignée supérieur	x
75	N010-0820-SER	assembly side shelf / ensemble tablette latérale	x
76	N010-1157-SER	assembly handle bottom / ensemble poignée inférieur	x
77	N525-0047-BK1SG-SER	assembly rail sliding track / ensemble piste	x
78	N530-0049-SER	bracket, regulator / ensemble régulateur	x
79	N325-0084-SER	assembly handle scissor cart foot / ensemble poignée pied patte	x
80	56080	griddle / plaque de cuisson	ac
	68286	cover / housse en vinyle	ac
	66004	large tank adapter hose / tuyau adaptateur pour grande bonbonne	ac
	62006	replacement grease tray (5)/ bac à graisse de remplacement (5)	ac

x - standard    ac – accessory

x - compris    ac - accessoires

# TQ285X-1 PARTS DIAGRAM/ DIAGRAMME DE PIÈCES





*Notes / Remarques*





38

*Notes / Remarques*



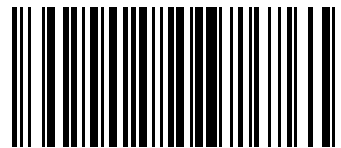


*Notes / Remarques*





Napoleon products are protected by one or more U.S. and Canadian and/or foreign patents or patents pending.  
Les produits de Napoléon sont protégés par un ou plusieurs brevets américains, canadiens et (ou) étrangers ou par des brevets en instance.



N415-0536

