

DISCOVER THE FIREPLACE OF YOUR DREAMS!



TECHNICAL SPECIFICATIONS

GAS FIRES



ELEMENT 4 



A FIREPLACE THAT MATCHES YOUR DNA

"At Element4 we have a clear ambition: to make the impossible come true. We love to think outside of the box. This results in a wide range of innovative fireplaces with powerful designs and beautiful flame pictures. It is precisely this combination that ensures that our brand is loved worldwide by design enthusiasts and architects alike.

Our promise? A fireplace with great features that will enhance any interior. We hope that this brochure will convince you of that too."

A handwritten signature in black ink, appearing to read 'Jan Kempers', with a long horizontal line extending from the end of the signature.

Jan Kempers
President and Founder

TABLE OF CONTENTS

Fireplace	Specifications
Gasfire Front	
CUPIDO 50	PAGE 6
CUPIDO 70	PAGE 7
SUMMUM 70 F	PAGE 8
MODORE 100	PAGE 9
SUMMUM 100 F	PAGE 10
MODORE 140	PAGE 11
SUMMUM 140 F	PAGE 12
MODORE 185	PAGE 13
SUMMUM 190 F	PAGE 14
MODORE 240	PAGE 15
SKY SMALL FRONT	PAGE 16
SKY MEDIUM FRONT	PAGE 17
SKY LARGE FRONT	PAGE 18
Gasfire See-through	
TENORE 140	PAGE 19
SUMMUM 140 T	PAGE 20
TENORE 240	PAGE 21
SKY SMALL TUNNEL	PAGE 22
SKY MEDIUM TUNNEL	PAGE 23
SKY LARGE TUNNEL	PAGE 24
Gasfire 3-Sided/ Bay	
SUMMUM 70 3/S	PAGE 25

TABLE OF CONTENTS

Fireplace	Specifications
Gasfire 3-Sided/ Bay	
TRISORE 100	PAGE 26
SUMMUM 100 3/S	PAGE 27
TRISORE 140	PAGE 28
SUMMUM 140 3S	PAGE 29
SUMMUM 190 3S	PAGE 30
Gasfire Corner	
SUMMUM 70 C	PAGE 31
BIDORE 100	PAGE 32
SUMMUM 100 C	PAGE 33
BIDORE 140	PAGE 34
SUMMUM 140 C	PAGE 35
SUMMUM 190 C	PAGE 36
Gasfire Peninsula	
LUCIUS 140	PAGE 37
SUMMUM 140 RD	PAGE 38
SKY SMALL ROOMDIVIDER	PAGE 39
SKY MEDIUM ROOMDIVIDER	PAGE 40
SKY LARGE ROOMDIVIDER	PAGE 41
Gasfire Island	
SUMMUM 140 4/S	PAGE 42
Gasfire Stove	
OVATION	PAGE 43
Gasfire Front	
MODORE 140 OUTDOOR	PAGE 44
SKY SMALL FRONT OUTDOOR	PAGE 45

TABLE OF CONTENTS

Fireplace	Specifications
Gasfire Front	
SKY MEDIUM FRONT OUTDOOR	PAGE 46
SKY LARGE FRONT OUTDOOR	PAGE 47
Gasfire See-through	
SKY SMALL TUNNEL OUTDOOR	PAGE 48
SKY MEDIUM TUNNEL OUTDOOR	PAGE 49
SKY LARGE TUNNEL OUTDOOR	PAGE 50



Gasfire

CUPIDO 50

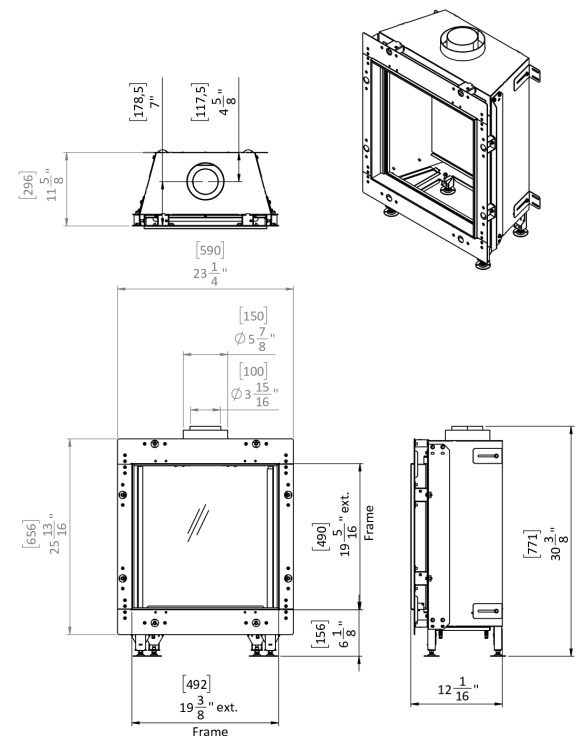
Real Flame Burner	
Natural gas (min-max):	10,000 - 35,500 BTU
Propane (min-max):	8,500 - 28,000 BTU
Efficiency:	88%

Energy efficiency class:	B
Venting \varnothing (inch):	4" x 6"

Black steel:	(Standard)
Black reflective panels:	(Optional)

Connect to home automation:	(Optional)
Operation via app - wifi kit (ProControl):	(Optional)
Powerfan:	(Optional)
Anti-reflective glass:	(Optional)
Access door:	(Optional)
Remote control:	(Standard)
Convection grills built-in and surface-mounted:	(Optional)

CUPIDO 50





Gasfire
CUPIDO 70

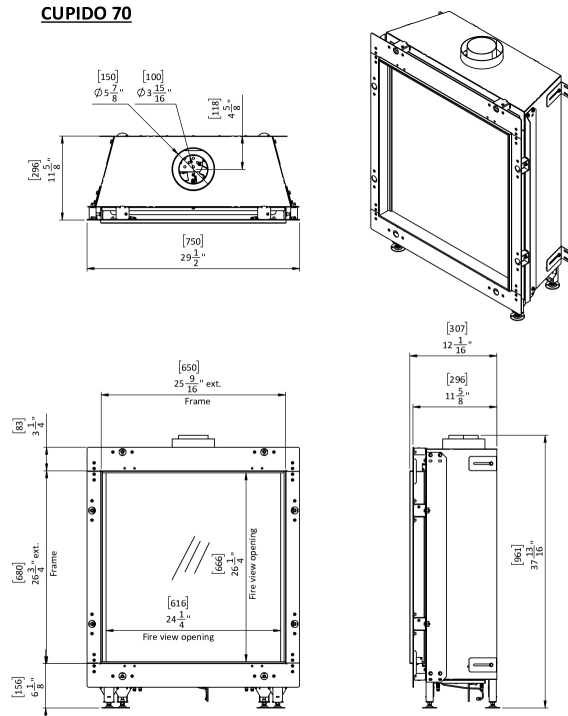
Real Flame Burner
 Natural gas (min-max): 10,000 - 35,500 BTU
 Propane (min-max): 8,500 - 28,000 BTU
 Efficiency: 88%

Energy efficiency class: B
 Venting \varnothing (inch): 4" x 6"

Black steel: (Standard)
 Black reflective panels: (Optional)

Connect to home automation: (Optional)
 Operation via app - wifi kit (ProControl): (Optional)
 Powerfan: (Optional)
 Anti-reflective glass: (Optional)
 Access door: (Optional)
 Remote control: (Standard)
 Convection grills built-in and surface-mounted: (Optional)

CUPIDO 70





Gasfire

SUMMUM 70 F

Real Flame Burner

Natural gas (min-max): 13,375 - 33,439 BTU

Propane (min-max): 10,509 - 26,273 BTU

Efficiency: 88%

Energy efficiency class: B

Venting \varnothing (inch): 5" x 8"

Black steel: (Standard)

Black reflective panels: (Optional)

Connect to home automation: (Optional)

Operation via app - wifi kit (ProControl): (Optional)

Powerfan: (Optional)

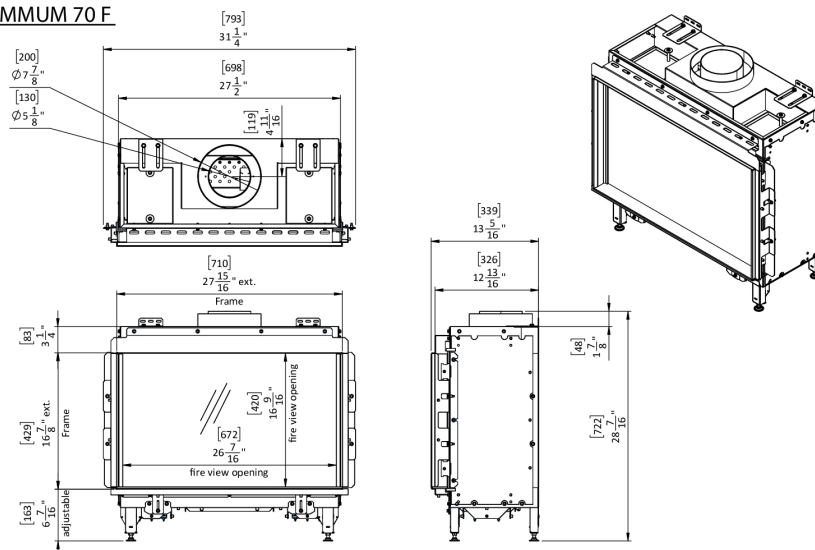
Anti-reflective glass: (Optional)

Access door: (Optional)

Remote control: (Standard)

Convection grills built-in and surface-mounted: (Optional)

SUMMUM 70 F

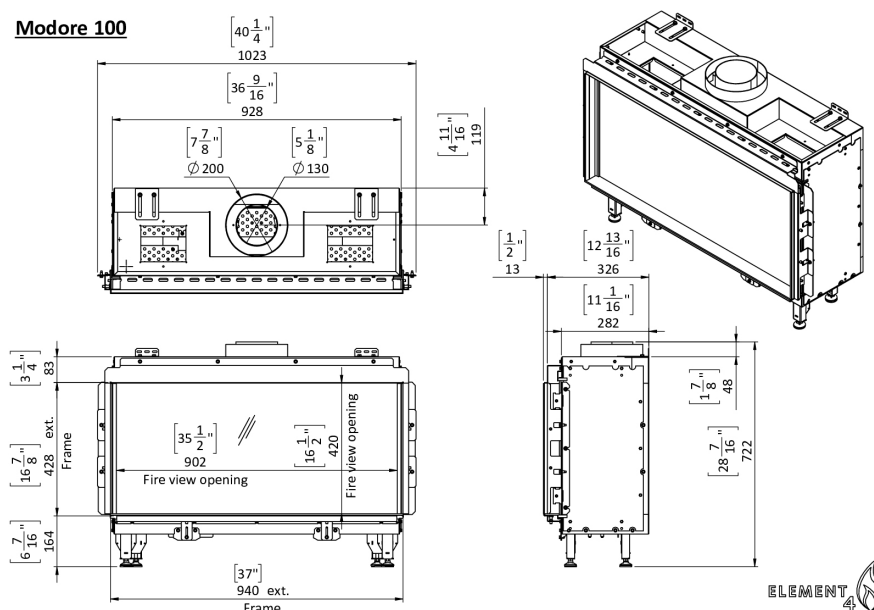




Gasfire

MODORE 100

Single burner	
Natural gas (min-max):	17,050 - 36,200 BTU
Propane (min-max):	13,650 - 32,400 BTU
Efficiency:	83%
<hr/>	
Energy efficiency class:	B
Venting \varnothing (inch):	5" x 8"
<hr/>	
Black steel:	(Standard)
Black reflective panels:	(Optional)
<hr/>	
Connect to home automation:	(Optional)
Operation via app - wifi kit (ProControl):	(Optional)
Powerfan:	(Optional)
Anti-reflective glass:	(Optional)
Access door:	(Optional)
Remote control:	(Standard)
Convection grills built-in and surface-mounted:	(Optional)





Gasfire

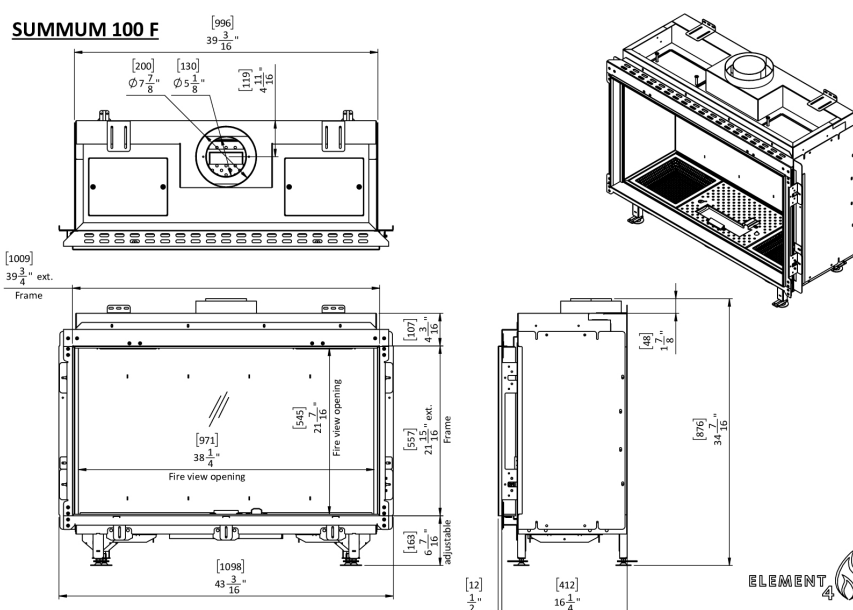
SUMMUM 100 F

Real Flame Burner	
Natural gas (min-max):	13,000 - 50,000 BTU
Propane (min-max):	9,000 - 45,000 BTU
Efficiency:	89%

Energy efficiency class:	A
Venting \varnothing (inch):	5" x 8"

Black steel:	(Standard)
Black reflective panels:	(Optional)

Connect to home automation:	(Optional)
Operation via app - wifi kit (ProControl):	(Optional)
Powerfan:	(Optional)
Anti-reflective glass:	(Optional)
Access door:	(Optional)
Remote control:	(Standard)
Convection grills built-in and surface-mounted:	(Optional)



ELEMENT 4

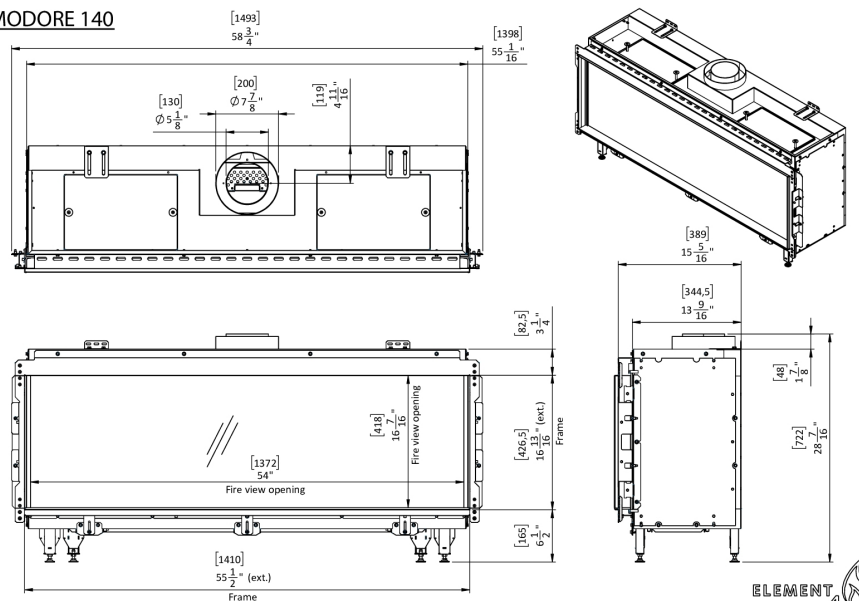


Gasfire

MODORE 140

Double burner	
Natural gas (min-max):	13,650 - 38,200 BTU
Propane (min-max):	11,950 - 34,100 BTU
Efficiency:	90%
Energy efficiency class:	A
Venting \varnothing (inch):	5" x 8"
Black steel:	(Standard)
Black reflective panels:	(Optional)
Connect to home automation:	(Optional)
Operation via app - wifi kit (ProControl):	(Optional)
Powerfan:	(Optional)
Anti-reflective glass:	(Optional)
Access door:	(Optional)
Remote control:	(Standard)
Convection grills built-in and surface-mounted:	(Optional)

MODORE 140





Gasfire

SUMMUM 140 F

Real Flame Burner

Natural gas (min-max): 20,463 - 81,341 BTU

Propane (min-max): 19,955 - 80,544 BTU

Efficiency: 90%

Energy efficiency class: A

Venting \varnothing (inch): 5" x 8"

Black steel: (Standard)

Black reflective panels: (Optional)

Connect to home automation: (Optional)

Operation via app - wifi kit (ProControl): (Optional)

Powerfan: (Optional)

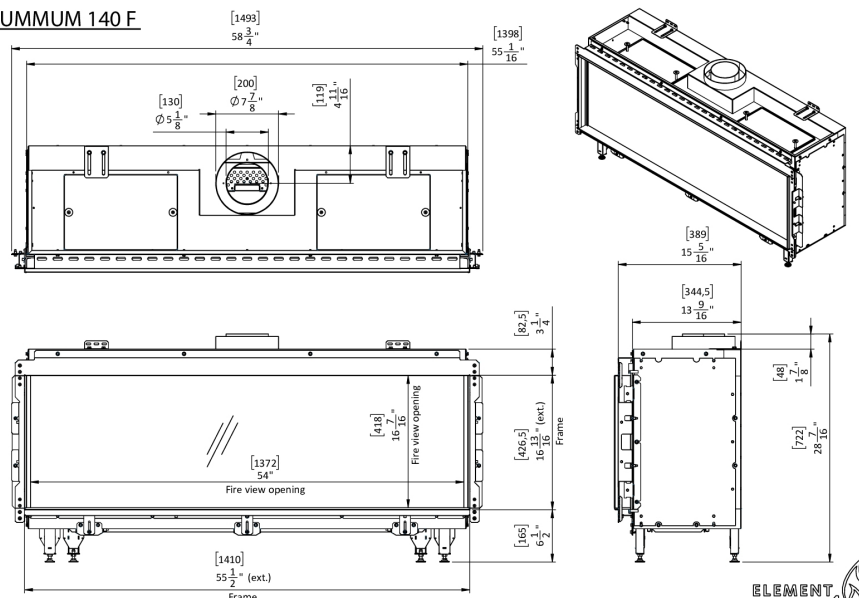
Anti-reflective glass: (Optional)

Access door: (Optional)

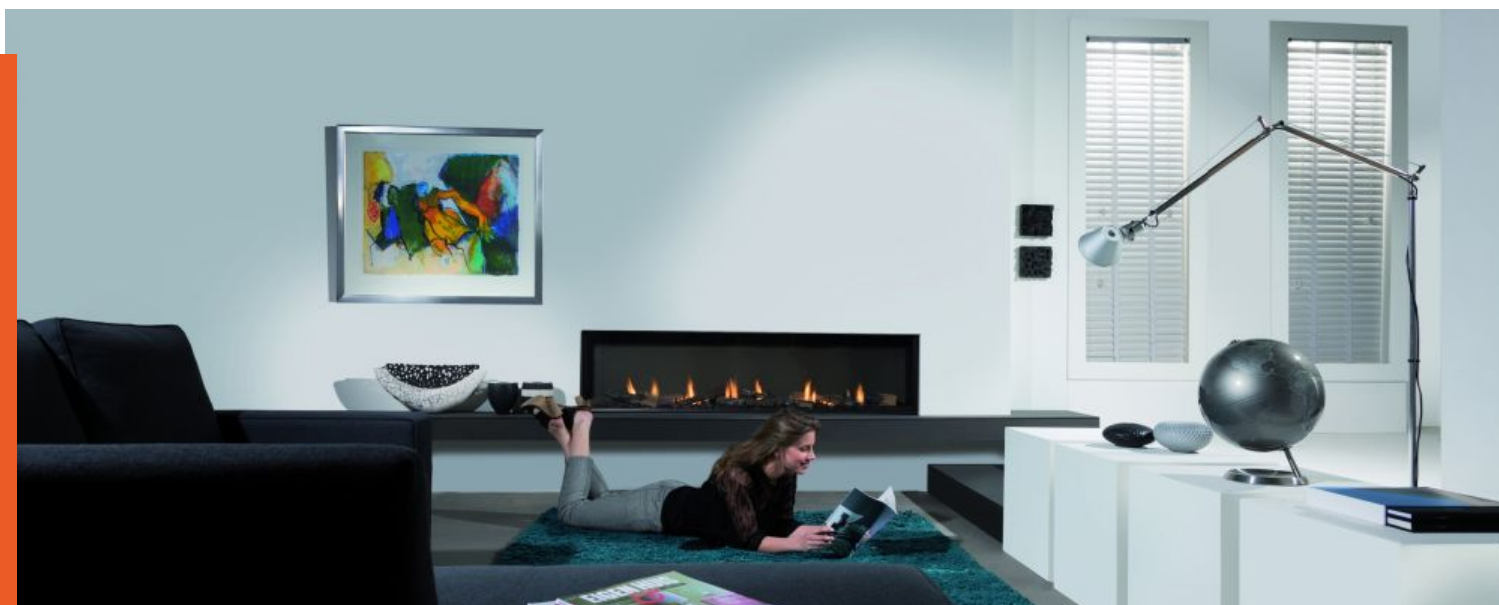
Remote control: (Standard)

Convection grills built-in and surface-mounted: (Optional)

SUMMUM 140 F



ELEMENT



Gasfire

MODORE 185

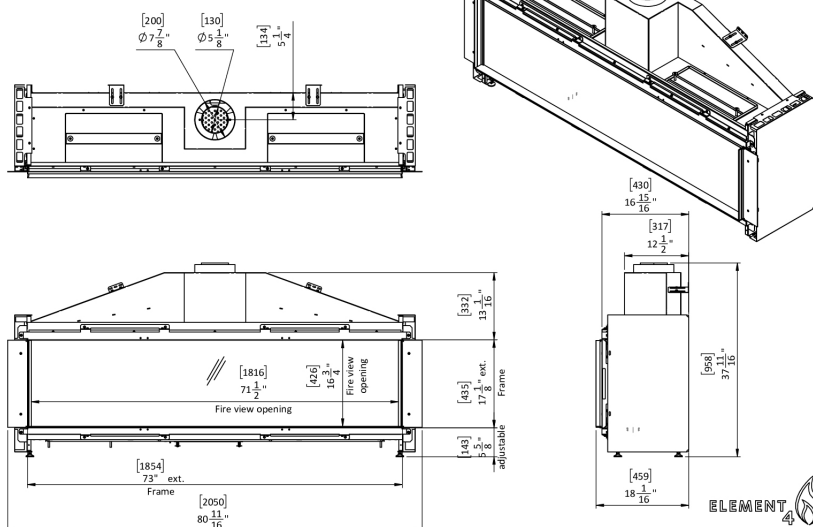
Multi burner	
Natural gas (min-max):	10,919 - 44,699 BTU
Propane (min-max):	9,213 - 46,746 BTU
Efficiency:	90%

Energy efficiency class:	A
Venting \varnothing (inch):	5" x 8"

Black steel:	(Standard)
Black reflective panels:	(Optional)

Connect to home automation:	(Optional)
Operation via app - wifi kit (ProControl):	(Optional)
Powerfan:	(Optional)
Anti-reflective glass:	(Optional)
Access door:	(Optional)
Remote control:	(Standard)
Convection grills built-in and surface-mounted:	(Optional)

Modore 185





Gasfire

SUMMUM 190 F

Real Flame Burner

Natural gas (min-max): 20,463 - 81,341 BTU

Propane (min-max): 19,955 - 80,544 BTU

Efficiency: 89%

Energy efficiency class: A

Venting \varnothing (inch): 5" x 8"

Black steel: (Standard)

Black reflective panels: (Optional)

Connect to home automation: (Optional)

Operation via app - wifi kit (ProControl): (Optional)

Powerfan: (Optional)

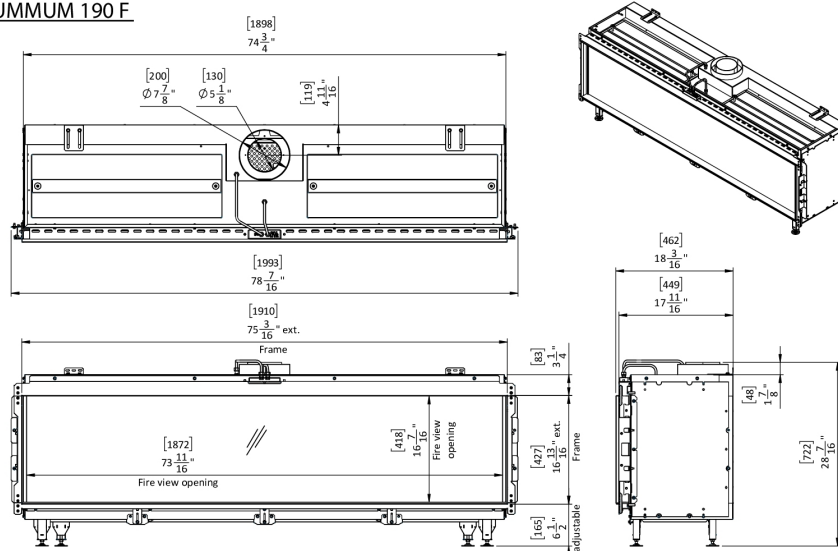
Anti-reflective glass: (Optional)

Access door: (Optional)

Remote control: (Standard)

Convection grills built-in and surface-mounted: (Optional)

SUMMUM 190 F



ELEMENT 4



Gasfire

MODORE 240

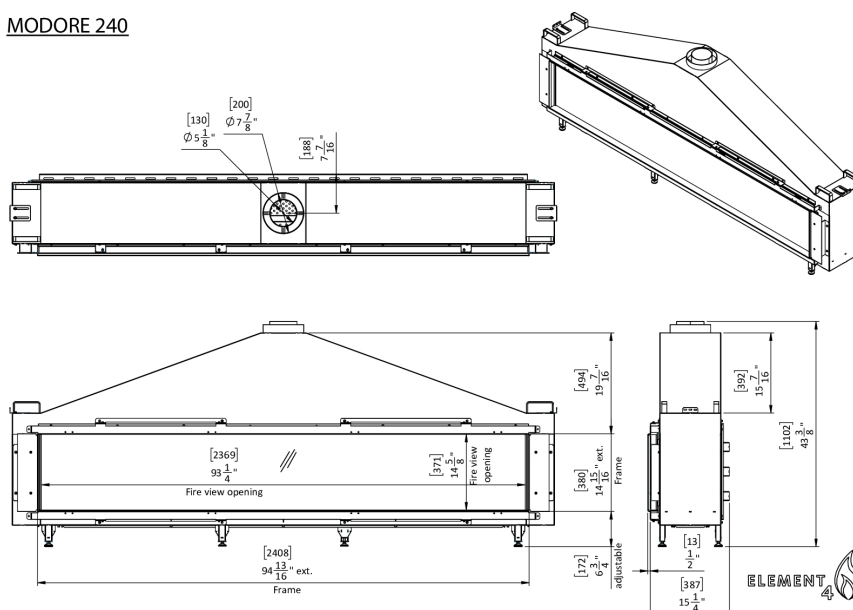
Multi burner	
Natural gas (min-max):	26,000 - 88,000 BTU
Propane (min-max):	19,500 - 64,800 BTU
Efficiency:	89%

Energy efficiency class:	A
Venting \varnothing (inch):	5" x 8"

Black steel:	(Standard)
Black reflective panels:	(Optional)

Connect to home automation:	(Optional)
Operation via app - wifi kit (ProControl):	(Optional)
Powerfan:	(Optional)
Access door:	(Optional)
Remote control:	(Standard)
Convection grills built-in and surface-mounted:	(Optional)

MODORE 240





Gasfire

SKY SMALL FRONT

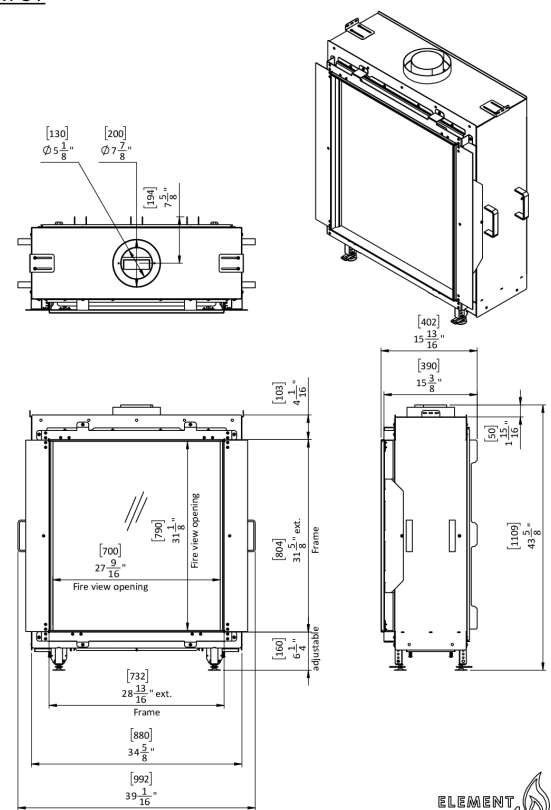
Real Flame Burner	
Natural gas (min-max):	10,132 - 61,301 BTU
Propane (min-max):	8,907 - 42,971 BTU
Efficiency:	89%

Energy efficiency class:	A
Venting \varnothing (inch):	5" x 8"

Black steel:	(Standard)
Black reflective panels:	(Optional)

Connect to home automation:	(Optional)
Operation via app - wifi kit (ProControl):	(Optional)
Powerfan:	(Optional)
Anti-reflective glass:	(Optional)
Access door:	(Optional)
Remote control:	(Standard)
Convection grills built-in and surface-mounted:	(Optional)

SKY S F



ELEMENT 



Gasfire

SKY MEDIUM FRONT

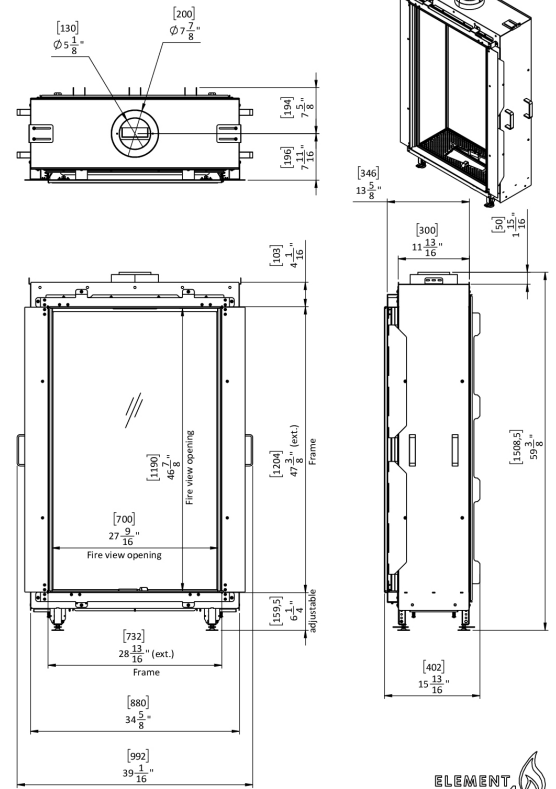
Real Flame Burner	
Natural gas (min-max):	10,132 - 61,301 BTU
Propane (min-max):	8,907 - 42,971 BTU
Efficiency:	89%

Energy efficiency class:	A
Venting ϕ (inch):	5" x 8"

Black steel:	(Standard)
Black reflective panels:	(Optional)

Connect to home automation:	(Optional)
Operation via app - wifi kit (ProControl):	(Optional)
Powerfan:	(Optional)
Anti-reflective glass:	(Optional)
Access door:	(Optional)
Remote control:	(Standard)
Convection grills built-in and surface-mounted:	(Optional)
LED bottom lighting:	(Optional)

SKY MEDIUM F





Gasfire

SKY LARGE FRONT

Double burner, Real Flame Burner

Natural gas (min-max): 17,000 - 44,000 BTU

Propane (min-max): 11,000 - 36,000 BTU

Efficiency: 89%

Energy efficiency class: A

Venting ϕ (inch): 5" x 8"

Black steel: (Standard)

Black reflective panels: (Optional)

Connect to home automation: (Optional)

Operation via app - wifi kit (ProControl): (Optional)

Powerfan: (Optional)

Anti-reflective glass: (Optional)

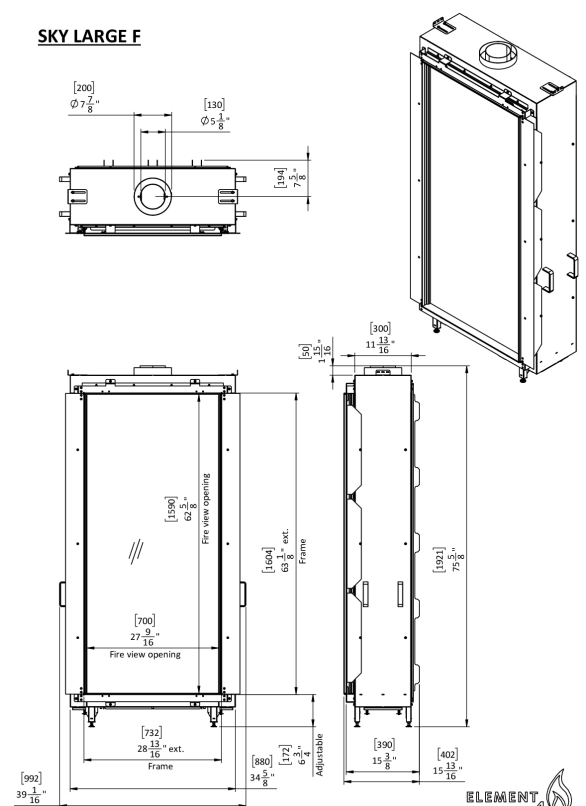
Access door: (Optional)

Remote control: (Standard)

Convection grills built-in and surface-mounted: (Optional)

LED bottom lighting: (Optional)

SKY LARGE F





Gasfire

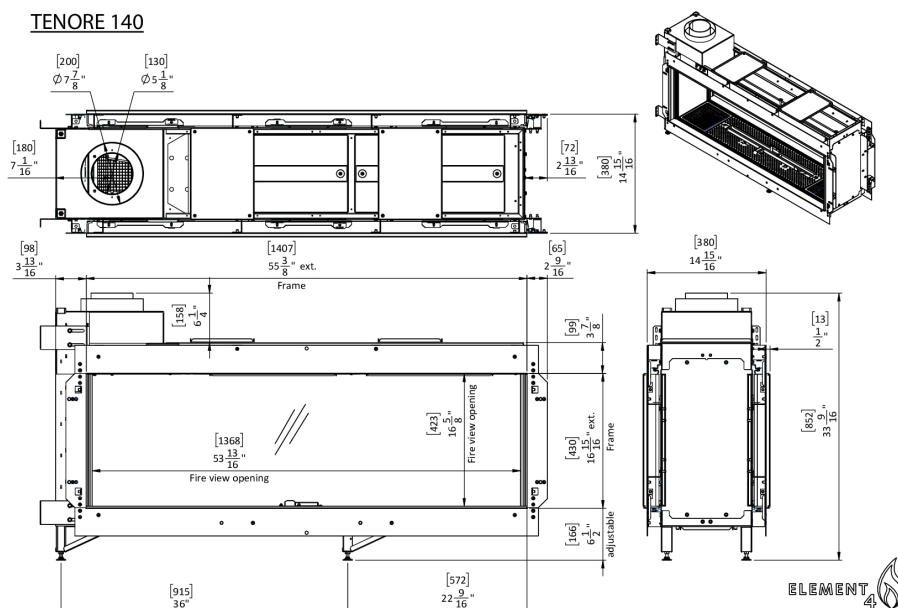
TENORE 140

Double burner	
Natural gas (min-max):	13,650 - 38,200 BTU
Propane (min-max):	11,950 - 34,100 BTU
Efficiency:	90%

Energy efficiency class:	A
Venting \varnothing (inch):	5" x 8"

Black steel:	(Standard)
Black reflective panels:	(Optional)

Connect to home automation:	(Optional)
Operation via app - wifi kit (ProControl):	(Optional)
Powerfan:	(Optional)
Anti-reflective glass:	(Optional)
Access door:	(Optional)
Remote control:	(Standard)
Convection grills built-in and surface-mounted:	(Optional)





Gasfire

SUMMUM 140 T

Real Flame Burner
 Natural gas (min-max): 20,463 - 81,341 BTU
 Propane (min-max): 19,955 - 80,544 BTU
 Efficiency: 90%

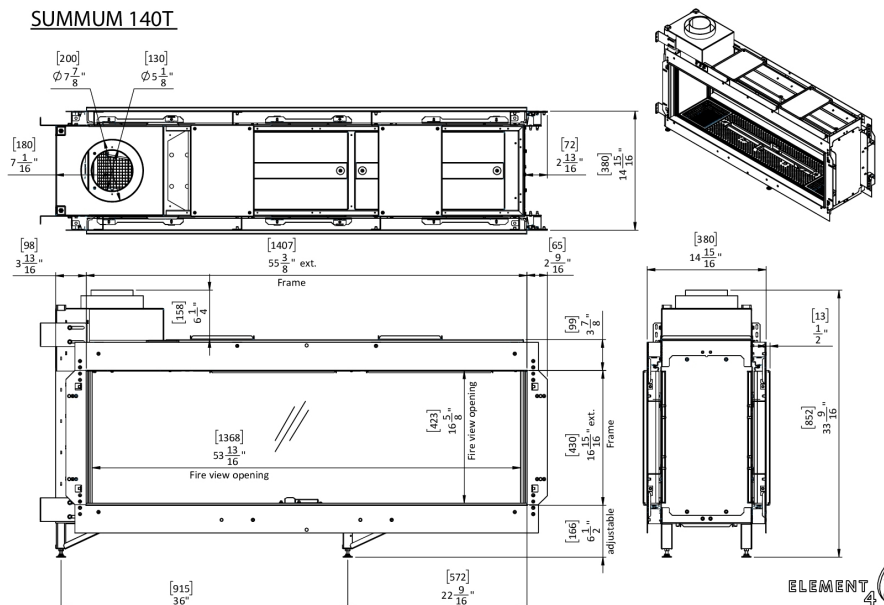
Energy efficiency class: A
 Venting ø (inch): 5" x 8"

Black steel: (Standard)
 Black reflective panels: (Optional)

Connect to home automation: (Optional)
 Operation via app - wifi kit (ProControl): (Optional)
 Powerfan: (Optional)
 Anti-reflective glass: (Optional)
 Access door: (Optional)
 Remote control: (Standard)
 Convection grills built-in and surface-mounted: (Optional)

LED bottom lighting:

SUMMUM 140T





Gasfire

TENORE 240

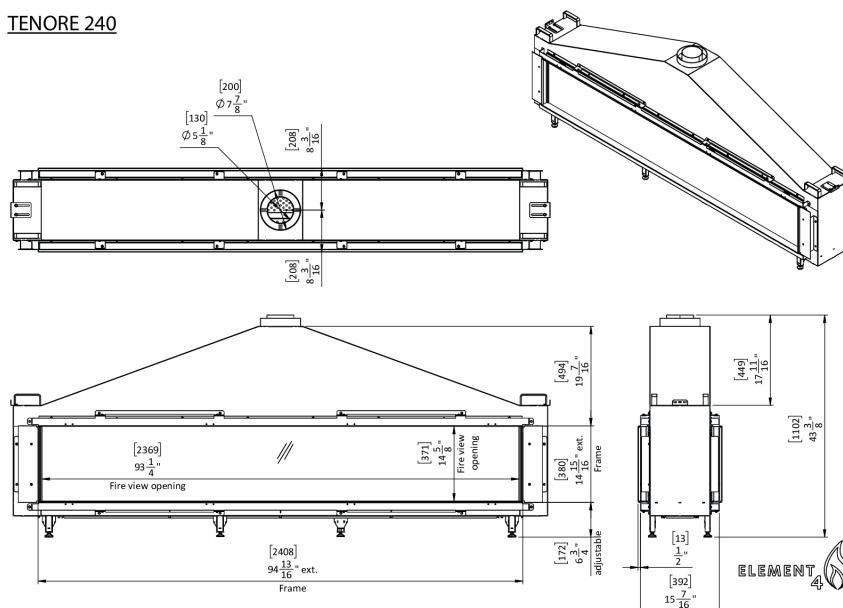
Multi burner	
Natural gas (min-max):	26,000 - 88,000 BTU
Propane (min-max):	19,500 - 64,800 BTU
Efficiency:	89%

Energy efficiency class:	A
Venting \varnothing (inch):	5" x 8"

Black steel:	(Standard)
Black reflective panels:	(Optional)

Connect to home automation:	(Optional)
Operation via app - wifi kit (ProControl):	(Optional)
Powerfan:	(Optional)
Access door:	(Optional)
Remote control:	(Standard)
Convection grills built-in and surface-mounted:	(Optional)

TENORE 240





Gasfire

SKY SMALL TUNNEL

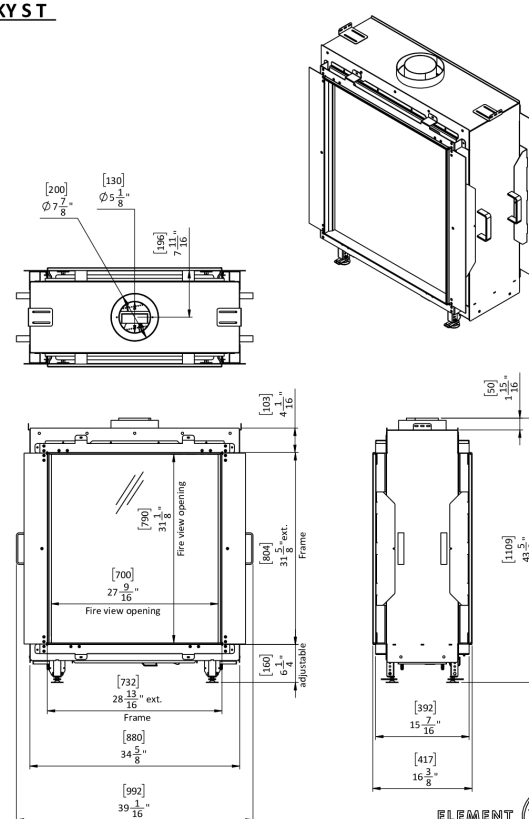
Real Flame Burner	
Natural gas (min-max):	10,132 - 61,301 BTU
Propane (min-max):	8,907 - 42,971 BTU
Efficiency:	89%

Energy efficiency class:	A
Venting \varnothing (inch):	5" x 8"

Black steel:	(Standard)
Black reflective panels:	(Optional)

Connect to home automation:	(Optional)
Operation via app - wifi kit (ProControl):	(Optional)
Powerfan:	(Optional)
Anti-reflective glass:	(Optional)
Access door:	(Optional)
Remote control:	(Standard)
Convection grills built-in and surface-mounted:	(Optional)
LED bottom lighting:	(Optional)

SKY ST



ELEMENT



Gasfire

SKY MEDIUM TUNNEL

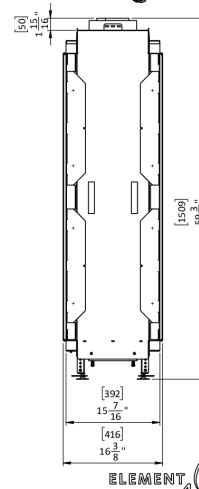
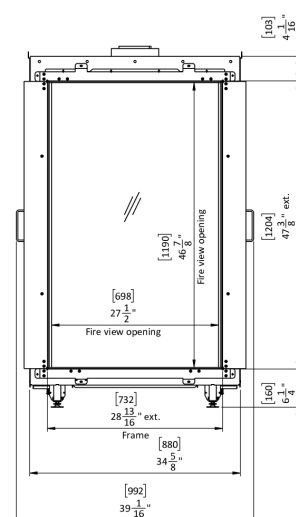
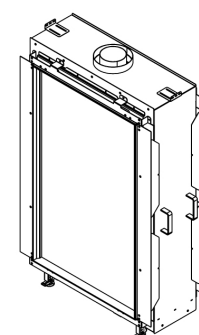
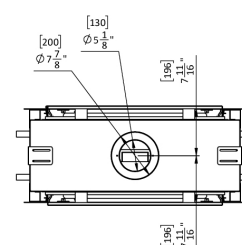
Real Flame Burner	
Natural gas (min-max):	10,132 - 61,301 BTU
Propane (min-max):	8,907 - 42,971 BTU
Efficiency:	89%

Energy efficiency class:	A
Venting \varnothing (inch):	5" x 8"

Black steel:	(Standard)
Black reflective panels:	(Optional)

Connect to home automation:	(Optional)
Operation via app - wifi kit (ProControl):	(Optional)
Powerfan:	(Optional)
Anti-reflective glass:	(Optional)
Access door:	(Optional)
Remote control:	(Standard)
Convection grills built-in and surface-mounted:	(Optional)
LED bottom lighting:	(Optional)

SKY M T





Gasfire

SKY LARGE TUNNEL

Double burner, Real Flame Burner

Natural gas (min-max): 17,000 - 44,000 BTU

Propane (min-max): 11,000 - 36,000 BTU

Efficiency: 89%

Energy efficiency class: A

Venting ϕ (inch): 5" x 8"

Black steel: (Standard)

Black reflective panels: (Optional)

Connect to home automation: (Optional)

Operation via app - wifi kit (ProControl): (Optional)

Powerfan: (Optional)

Anti-reflective glass: (Optional)

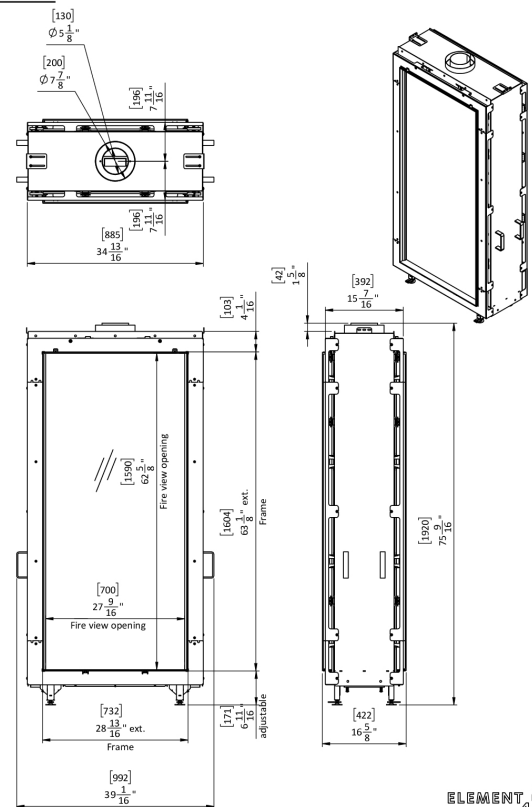
Access door: (Optional)

Remote control: (Standard)

Convection grills built-in and surface-mounted: (Optional)

LED bottom lighting: (Optional)

SKY LT



ELEMENT



Gasfire

SUMMUM 70 3/S

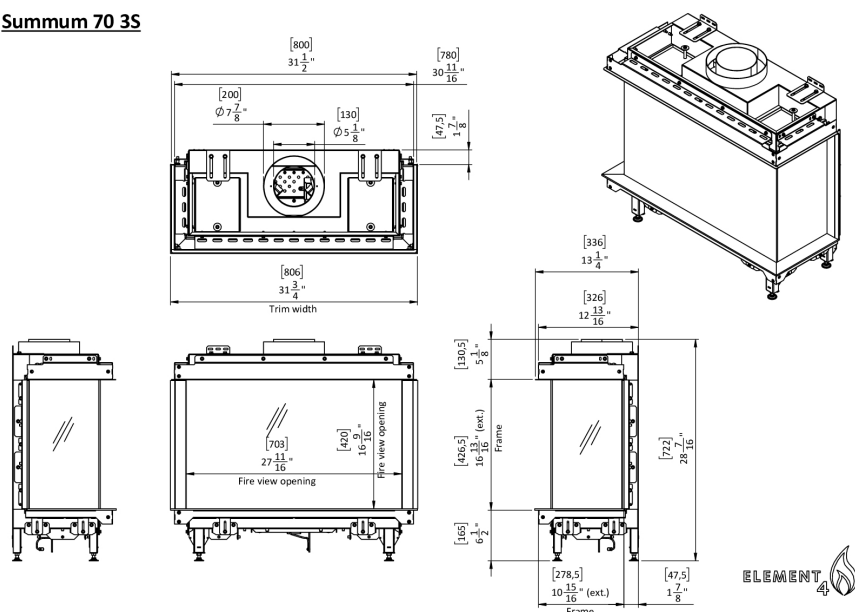
Real Flame Burner	
Natural gas (min-max):	13,375 - 33,439 BTU
Propane (min-max):	10,509 - 26,273 BTU
Efficiency:	88%

Energy efficiency class:	B
Venting \varnothing (inch):	5" x 8"

Black steel:	(Standard)
Black reflective panels:	(Optional)

Connect to home automation:	(Optional)
Operation via app - wifi kit (ProControl):	(Optional)
Powerfan:	(Optional)
Anti-reflective glass:	(Optional)
Access door:	(Optional)
Remote control:	(Standard)
Convection grills built-in and surface-mounted:	(Optional)

Summum 70 3S



ELEMENT 4



Gasfire

TRISORE 100

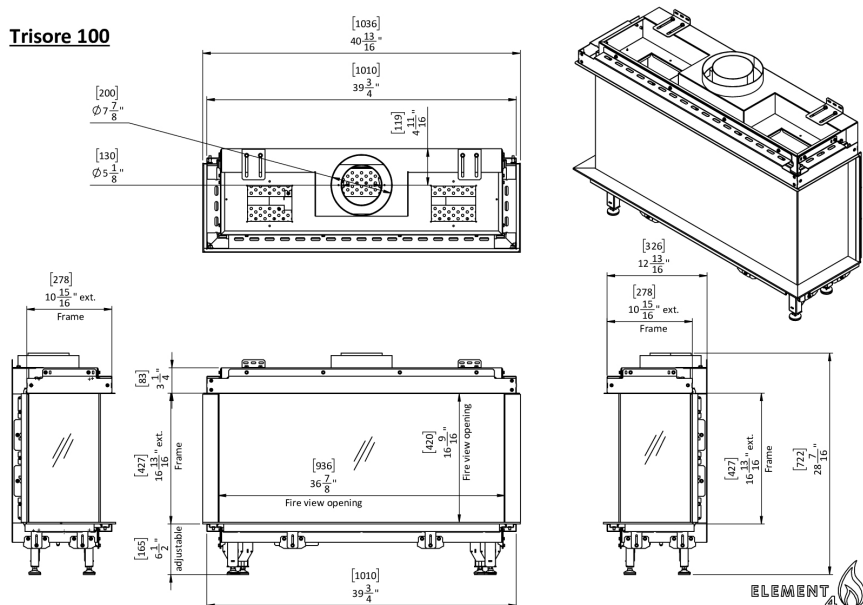
Single burner	
Natural gas (min-max):	17,050 - 36,200 BTU
Propane (min-max):	13,650 - 32,400 BTU
Efficiency:	83%

Energy efficiency class:	B
Venting \varnothing (inch):	5" x 8"

Black steel:	(Standard)
Black reflective panels:	(Optional)

Connect to home automation:	(Optional)
Operation via app - wifi kit (ProControl):	(Optional)
Powerfan:	(Optional)
Anti-reflective glass:	(Optional)
Access door:	(Optional)
Remote control:	(Standard)
Convection grills built-in and surface-mounted:	(Optional)

Trisore 100





Gasfire

SUMMUM 100 3/S

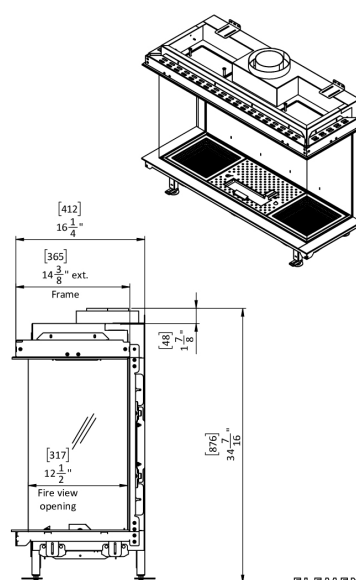
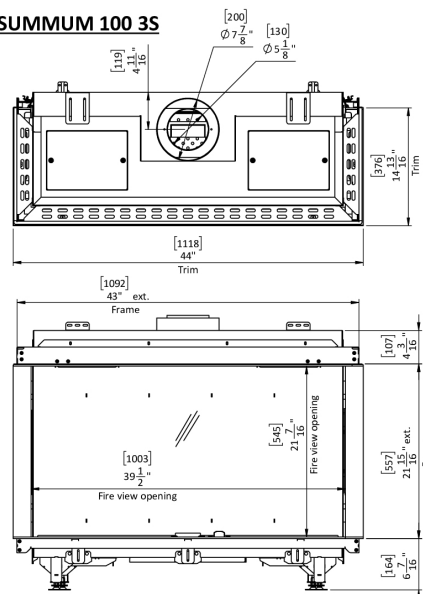
Real Flame Burner	
Natural gas (min-max):	13,000 - 50,000 BTU
Propane (min-max):	9,000 - 45,000 BTU
Efficiency:	89%

Energy efficiency class:	A
Venting \varnothing (inch):	5" x 8"

Black steel:	(Standard)
Black reflective panels:	(Optional)

Connect to home automation:	(Optional)
Operation via app - wifi kit (ProControl):	(Optional)
Powerfan:	(Optional)
Anti-reflective glass:	(Optional)
Access door:	(Optional)
Remote control:	(Standard)
Convection grills built-in and surface-mounted:	(Optional)

SUMMUM 100 3S





Gasfire

TRISORE 140

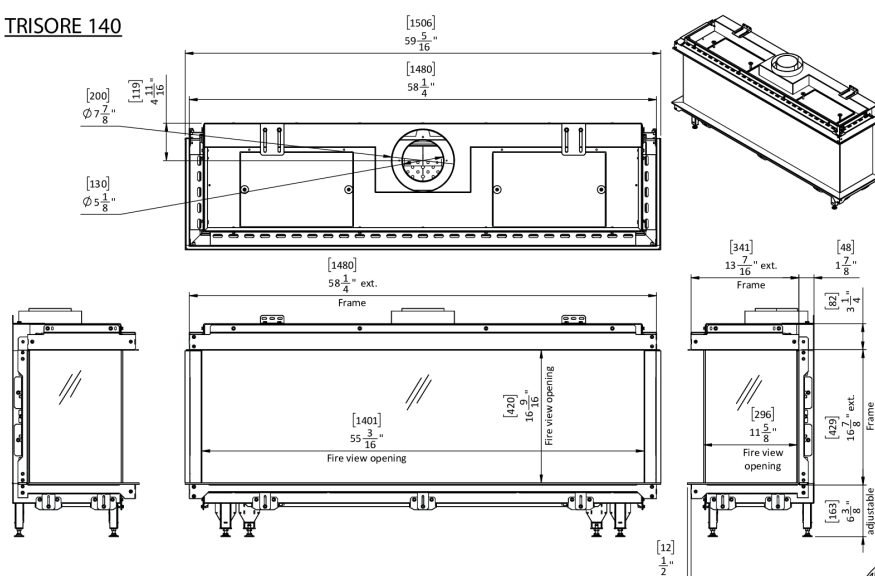
Double burner	
Natural gas (min-max):	13,650 - 38,200 BTU
Propane (min-max):	11,950 - 34,100 BTU
Efficiency:	90%

Energy efficiency class:	A
Venting \varnothing (inch):	5" x 8"

Black steel:	(Standard)
Black reflective panels:	(Optional)

Connect to home automation:	(Optional)
Operation via app - wifi kit (ProControl):	(Optional)
Powerfan:	(Optional)
Anti-reflective glass:	(Optional)
Access door:	(Optional)
Remote control:	(Standard)
Convection grills built-in and surface-mounted:	(Optional)

TRISORE 140





Gasfire

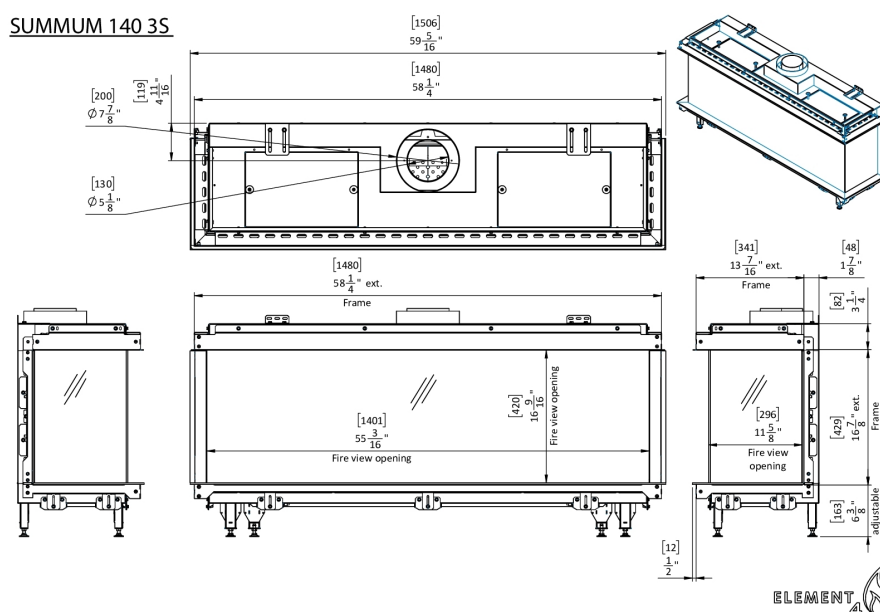
SUMMUM 140 3S

Real Flame Burner	
Natural gas (min-max):	20,463 - 81,341 BTU
Propane (min-max):	19,955 - 80,544 BTU
Efficiency:	90%

Energy efficiency class:	A
Venting \varnothing (inch):	5" x 8"

Black steel:	(Standard)
Black reflective panels:	(Optional)

Connect to home automation:	(Optional)
Operation via app - wifi kit (ProControl):	(Optional)
Powerfan:	(Optional)
Anti-reflective glass:	(Optional)
Access door:	(Optional)
Remote control:	(Standard)
Convection grills built-in and surface-mounted:	(Optional)



ELEMENT



Gasfire

SUMMUM 190 3S

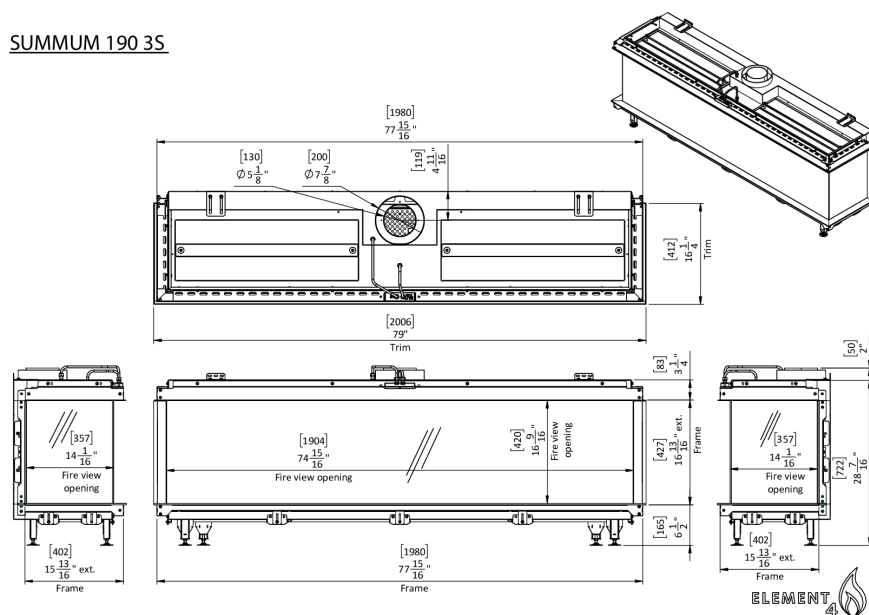
Real Flame Burner L LED	
Natural gas (min-max):	20,463 - 81,341 BTU
Propane (min-max):	19,955 - 80,544 BTU
Efficiency:	89%

Energy efficiency class:	A
Venting \varnothing (inch):	5" x 8"

Black steel:	(Standard)
Black reflective panels:	(Optional)

Connect to home automation:	(Optional)
Operation via app - wifi kit (ProControl):	(Optional)
Powerfan:	(Optional)
Anti-reflective glass:	(Optional)
Access door:	(Optional)
Remote control:	(Standard)
Convection grills built-in and surface-mounted:	(Optional)

SUMMUM 190 3S





Gasfire

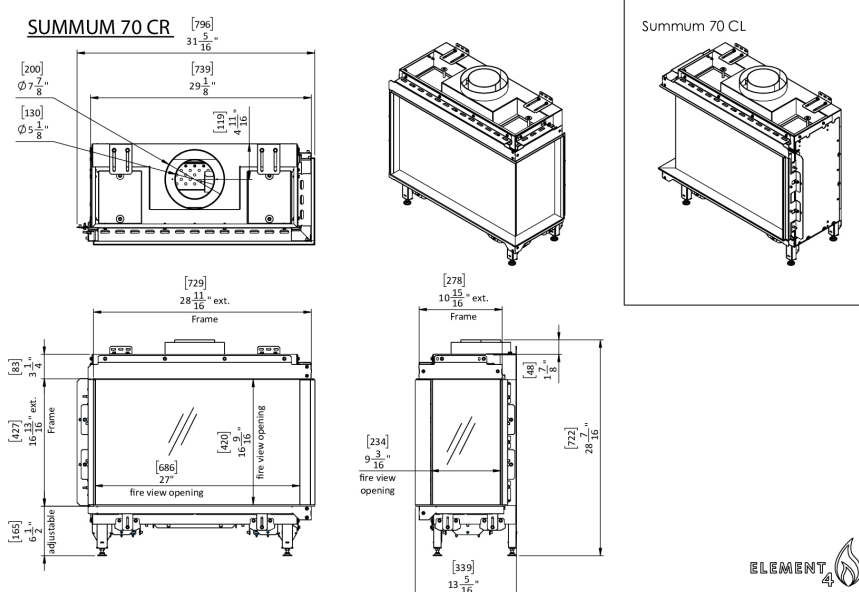
SUMMUM 70 C

Real Flame Burner	
Natural gas (min-max):	13,375 - 33,439 BTU
Propane (min-max):	10,509 - 26,273 BTU
Efficiency:	88%

Energy efficiency class:	B
Venting \varnothing (inch):	5" x 8"

Black steel:	(Standard)
Black reflective panels:	(Optional)

Connect to home automation:	(Optional)
Operation via app - wifi kit (ProControl):	(Optional)
Powerfan:	(Optional)
Anti-reflective glass:	(Optional)
Access door:	(Optional)
Remote control:	(Standard)
Convection grills built-in and surface-mounted:	(Optional)





Gasfire

BIDORE 100

Single burner

Natural gas (min-max): 17,050 - 36,200 BTU

Propane (min-max): 13,650 - 32,400 BTU

Efficiency: 83%

Energy efficiency class: B

Venting \varnothing (inch): 5" x 8"

Black steel: (Standard)

Black reflective panels: (Optional)

Connect to home automation: (Optional)

Operation via app - wifi kit (ProControl): (Optional)

Powerfan: (Optional)

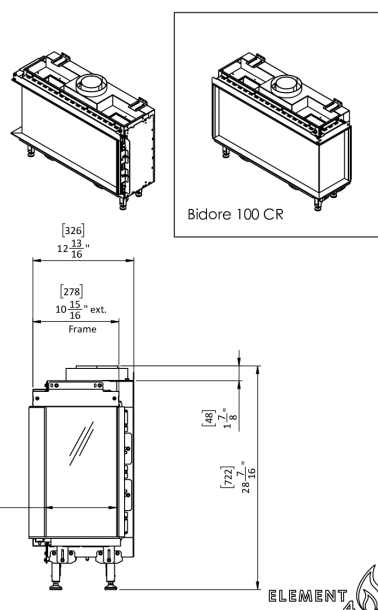
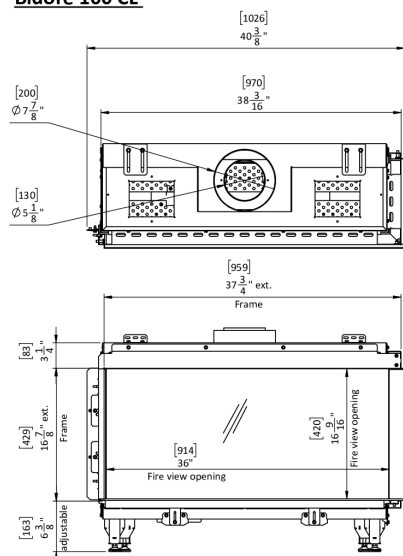
Anti-reflective glass: (Optional)

Access door: (Optional)

Remote control: (Standard)

Convection grills built-in and surface-mounted: (Optional)

Bidore 100 CL





Gasfire

SUMMUM 100 C

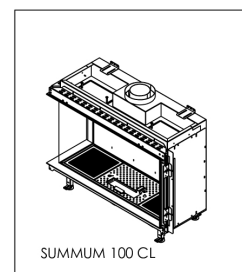
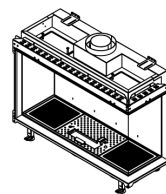
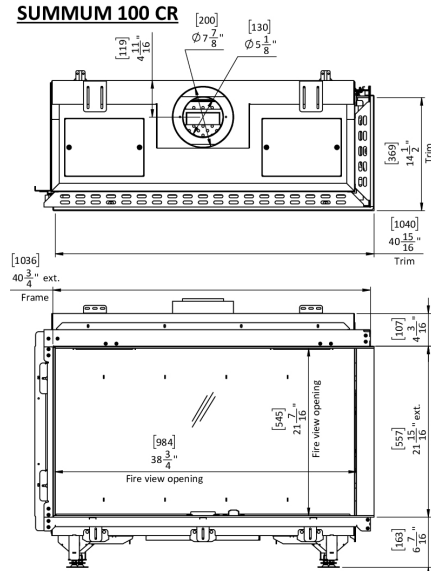
Real Flame Burner	
Natural gas (min-max):	13,000 - 50,000 BTU
Propane (min-max):	9,000 - 45,000 BTU
Efficiency:	89%

Energy efficiency class:	A
Venting \varnothing (inch):	5" x 8"

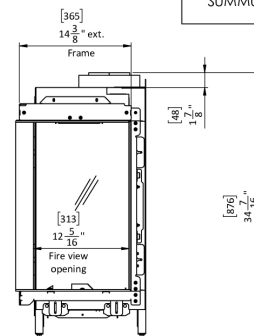
Black steel:	(Standard)
Black reflective panels:	(Optional)

Connect to home automation:	(Optional)
Operation via app - wifi kit (ProControl):	(Optional)
Powerfan:	(Optional)
Anti-reflective glass:	(Optional)
Access door:	(Optional)
Remote control:	(Standard)
Convection grills built-in and surface-mounted:	(Optional)

SUMMUM 100 CR



SUMMUM 100 CL





Gasfire

BIDORE 140

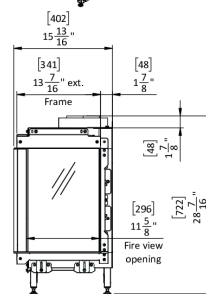
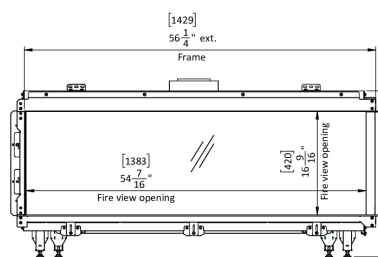
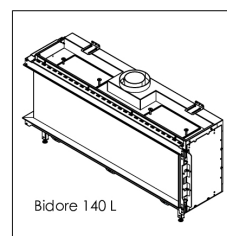
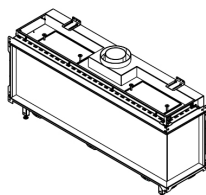
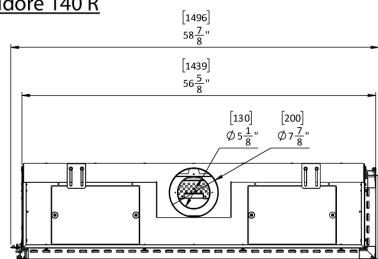
Double burner	
Natural gas (min-max):	13,650 - 38,200 BTU
Propane (min-max):	11,950 - 34,100 BTU
Efficiency:	90%

Energy efficiency class:	A
Venting \varnothing (inch):	5" x 8"

Black steel:	(Standard)
Black reflective panels:	(Optional)

Connect to home automation:	(Optional)
Operation via app - wifi kit (ProControl):	(Optional)
Powerfan:	(Optional)
Anti-reflective glass:	(Optional)
Access door:	(Optional)
Remote control:	(Standard)
Convection grills built-in and surface-mounted:	(Optional)

Bidore 140 R





Gasfire

SUMMUM 140 C

Real Flame Burner L LED

Natural gas (min-max): 20,463 - 81,341 BTU

Propane (min-max): 19,955 - 80,544 BTU

Efficiency: 90%

Energy efficiency class: A

Venting \varnothing (inch): 5" x 8"

Black steel: (Standard)

Black reflective panels: (Optional)

Connect to home automation: (Optional)

Operation via app - wifi kit (ProControl): (Optional)

Powerfan: (Optional)

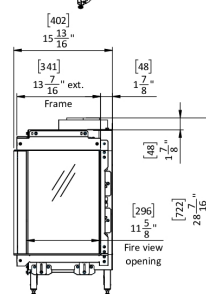
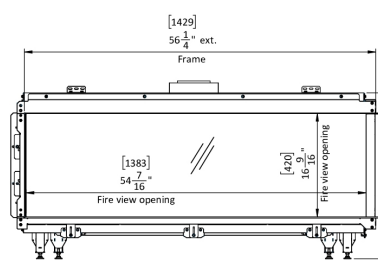
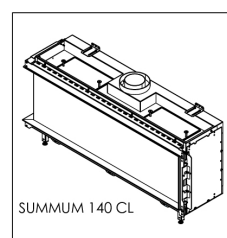
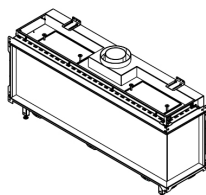
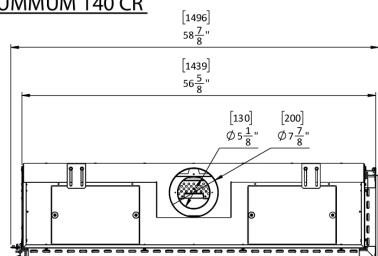
Anti-reflective glass: (Optional)

Access door: (Optional)

Remote control: (Standard)

Convection grills built-in and surface-mounted: (Optional)

SUMMUM 140 CR





Gasfire

SUMMUM 190 C

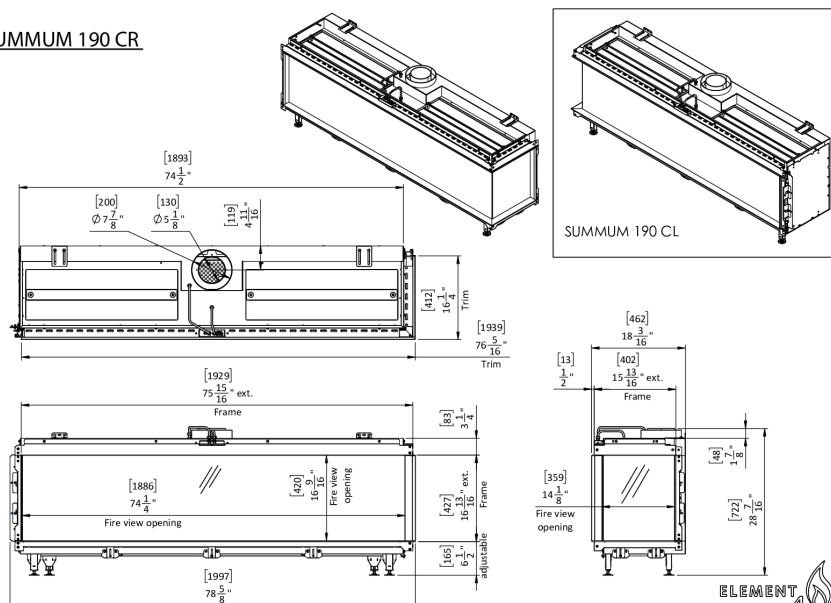
Real Flame Burner	
Natural gas (min-max):	20,463 - 81,341 BTU
Propane (min-max):	19,955 - 80,544 BTU
Efficiency:	89%

Energy efficiency class:	A
Venting \varnothing (inch):	5" x 8"

Black steel:	(Standard)
Black reflective panels:	(Optional)

Connect to home automation:	(Optional)
Operation via app - wifi kit (ProControl):	(Optional)
Powerfan:	(Optional)
Anti-reflective glass:	(Optional)
Access door:	(Optional)
Remote control:	(Standard)
Convection grills built-in and surface-mounted:	(Optional)

SUMMUM 190 CR



ELEMENT 4



Gasfire

LUCIUS 140

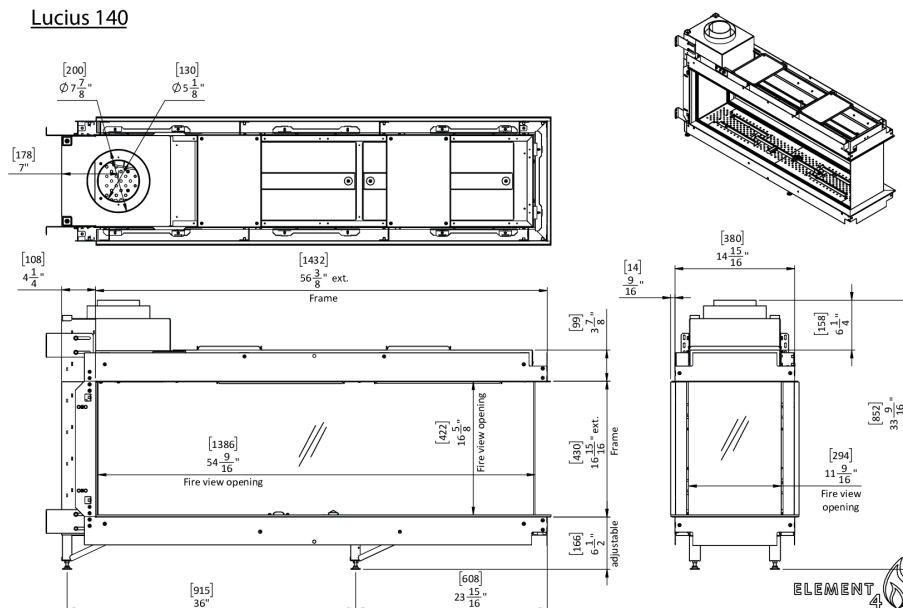
Double burner	
Natural gas (min-max):	13,650 - 38,200 BTU
Propane (min-max):	11,950 - 34,100 BTU
Efficiency:	90%

Energy efficiency class:	A
Venting \varnothing (inch):	5" x 8"

Black steel:	(Standard)
Black reflective panels:	(Optional)

Connect to home automation:	(Optional)
Operation via app - wifi kit (ProControl):	(Optional)
Powerfan:	(Optional)
Anti-reflective glass:	(Optional)
Access door:	(Optional)
Remote control:	(Standard)
Convection grills built-in and surface-mounted:	(Optional)

Lucius 140





Gasfire

SUMMUM 140 RD

Real Flame Burner L LED

Natural gas (min-max): 20,463 - 81,341 BTU

Propane (min-max): 19,955 - 80,544 BTU

Efficiency: 90%

Energy efficiency class: A

Venting \varnothing (inch): 5" x 8"

Black steel: (Standard)

Black reflective panels: (Optional)

Connect to home automation: (Optional)

Operation via app - wifi kit (ProControl): (Optional)

Powerfan: (Optional)

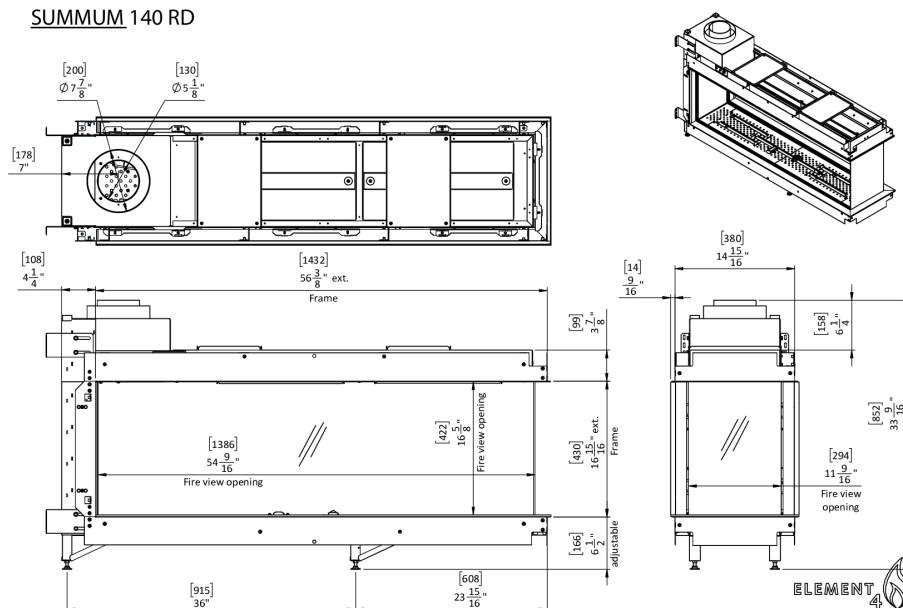
Anti-reflective glass: (Optional)

Access door: (Optional)

Remote control: (Standard)

Convection grills built-in and surface-mounted: (Optional)

SUMMUM 140 RD





Gasfire

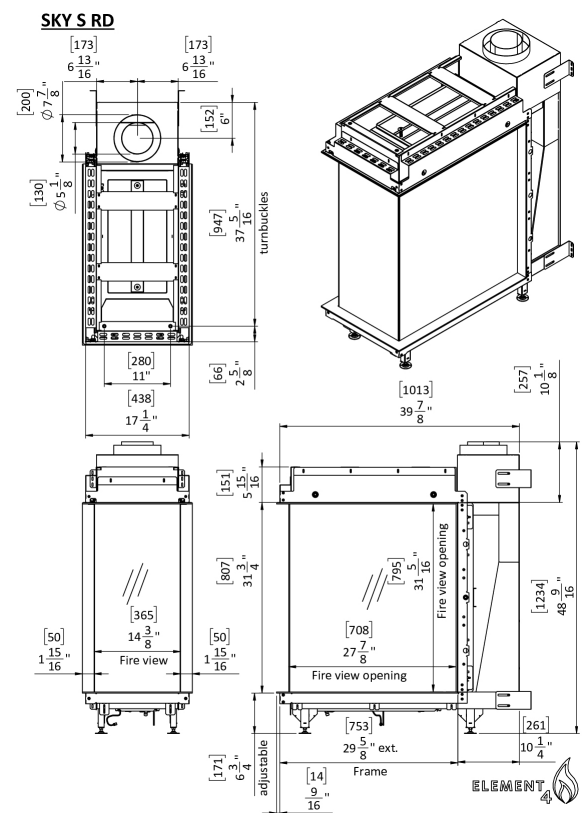
SKY SMALL ROOMDIVIDER

Real Flame Burner	
Natural gas (min-max):	10,132 - 61,301 BTU
Propane (min-max):	8,907 - 42,971 BTU
Efficiency:	89%

Energy efficiency class:	A
Venting \varnothing (inch):	5" x 8"

Black steel:	(Standard)
Black reflective panels:	(Optional)

Connect to home automation:	(Optional)
Operation via app - wifi kit (ProControl):	(Optional)
Powerfan:	(Optional)
Anti-reflective glass:	(Optional)
Access door:	(Optional)
Remote control:	(Standard)
Convection grills built-in and surface-mounted:	(Optional)
LED bottom lighting:	(Optional)





Gasfire

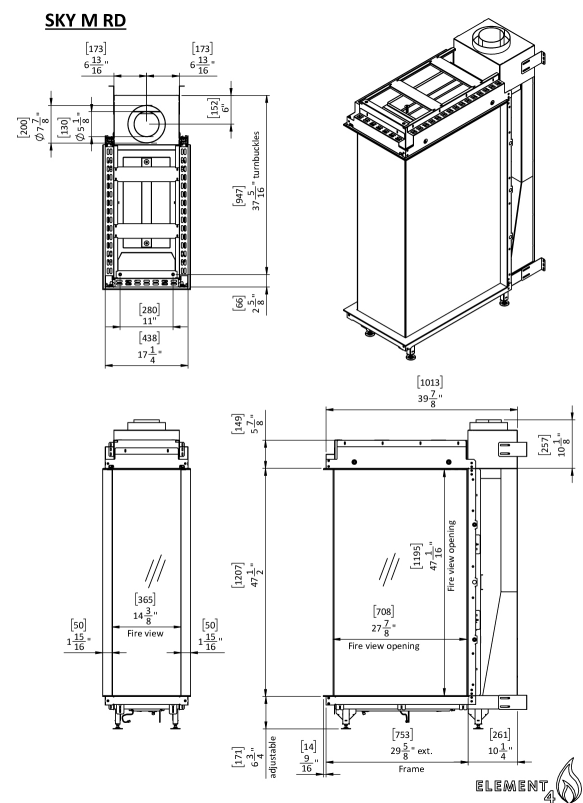
SKY MEDIUM ROOMDIVIDER

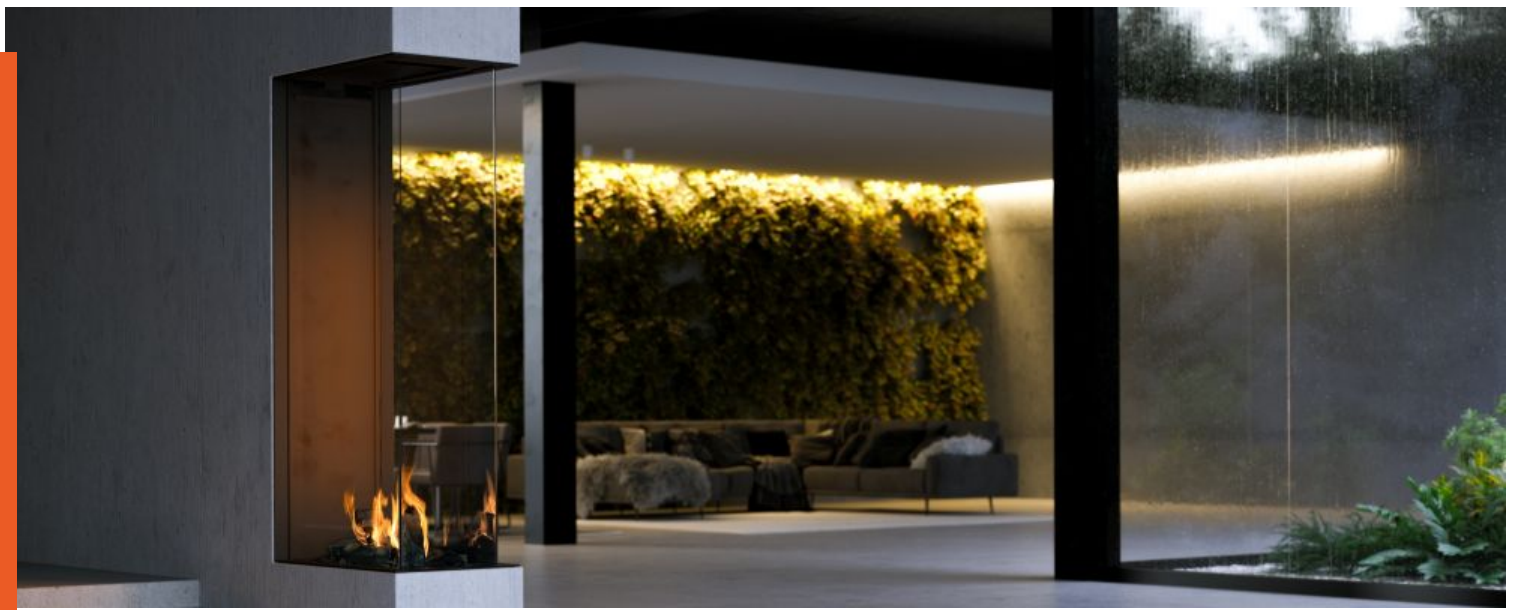
Real Flame Burner	
Natural gas (min-max):	10,132 - 61,301 BTU
Propane (min-max):	8,907 - 42,971 BTU
Efficiency:	89%

Energy efficiency class:	A
Venting \varnothing (inch):	5" x 8"

Black steel:	(Standard)
Black reflective panels:	(Optional)

Connect to home automation:	(Optional)
Operation via app - wifi kit (ProControl):	(Optional)
Powerfan:	(Optional)
Anti-reflective glass:	(Optional)
Access door:	(Optional)
Remote control:	(Standard)
Convection grills built-in and surface-mounted:	(Optional)
LED bottom lighting:	(Optional)





Gasfire

SKY LARGE ROOMDIVIDER

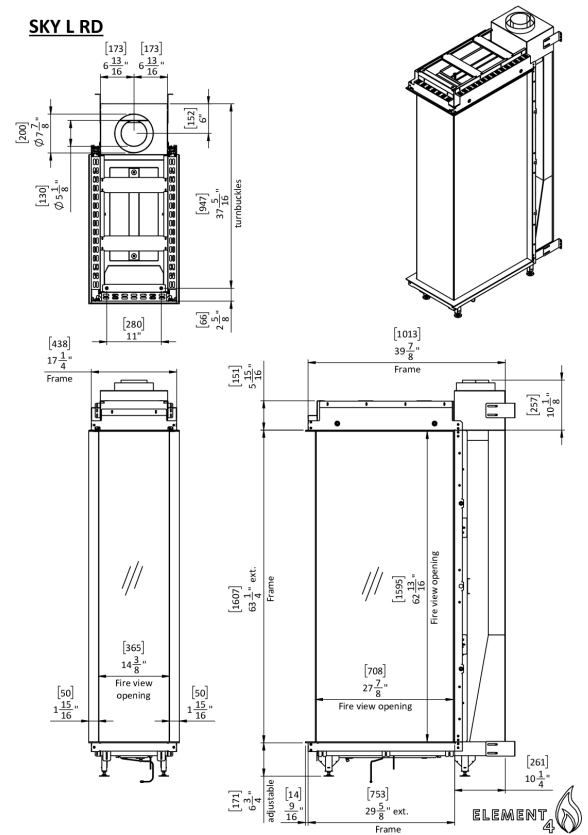
Real Flame Burner
 Natural gas (min-max): 10,132 - 61,301 BTU
 Propane (min-max): 8,907 - 42,971 BTU
 Efficiency: 89%

Energy efficiency class: A
 Venting \varnothing (inch): 5" x 8"

Black steel: (Standard)
 Black reflective panels: (Optional)

Connect to home automation: (Optional)
 Operation via app - wifi kit (ProControl): (Optional)
 Powerfan: (Optional)
 Anti-reflective glass: (Optional)
 Access door: (Optional)
 Remote control: (Standard)
 Convection grills built-in and surface-mounted: (Optional)
 LED bottom lighting: (Optional)

SKY L RD





Gasfire

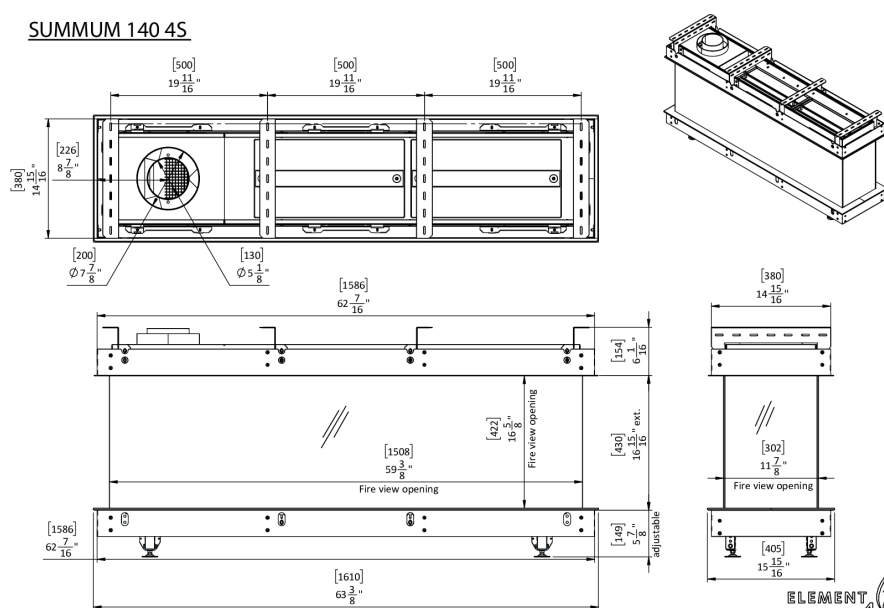
SUMMUM 140 4/S

Real Flame Burner	
Natural gas (min-max):	20,463 - 81,341 BTU
Propane (min-max):	19,955 - 80,544 BTU
Efficiency:	90%

Energy efficiency class:	A
Venting ø (inch):	5" x 8"

Connect to home automation:	(Optional)
Operation via app - wifi kit (ProControl):	(Optional)
Powerfan:	(Optional)
Access door:	(Optional)
Remote control:	(Standard)
Convection grills built-in and surface-mounted:	(Optional)

SUMMUM 140 4S



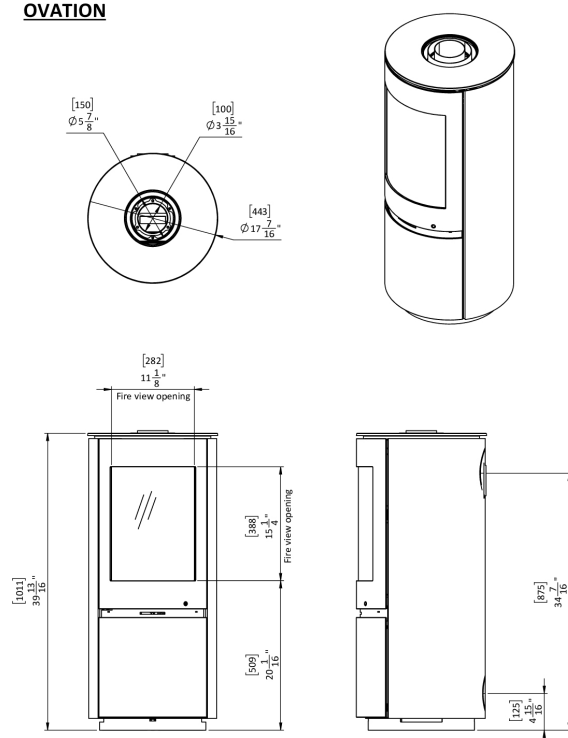


Gasfire

OVATION

Real Flame Burner	
Natural gas (min-max):	5,800-22,520 BTU
Propane (min-max):	5,459-23,202 BTU
Efficiency:	90%
<hr/>	
Energy efficiency class:	A
Venting \varnothing (inch):	4" x 6"
<hr/>	
Black steel:	(Standard)
Black reflective panels:	(Optional)
<hr/>	
Connect to home automation:	(Optional)
Operation via app - wifi kit (ProControl):	(Optional)
Powerfan:	(Optional)
Remote control:	(Standard)

OVATION



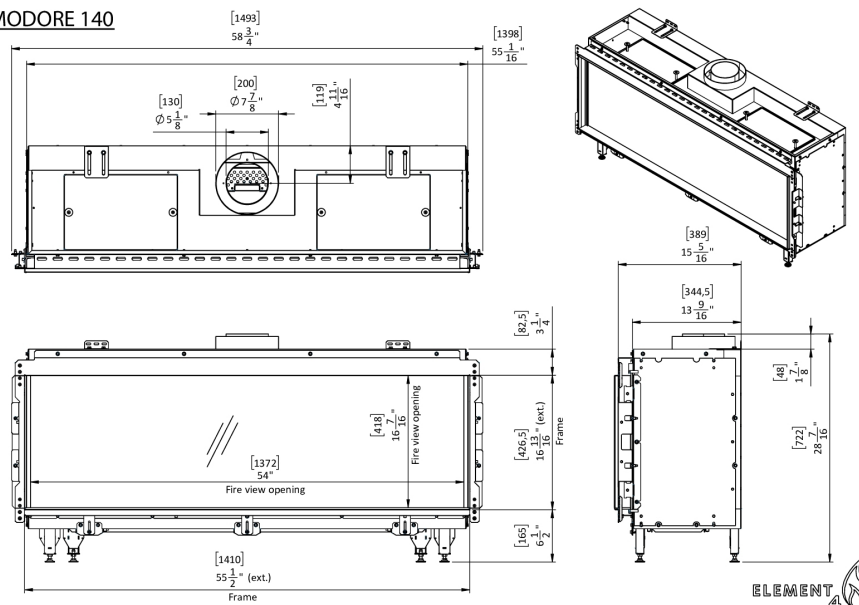


Gasfire

MODORE 140 OUTDOOR

Quad burner	
Natural gas (min-max):	13,650 - 38,200 BTU
Propane (min-max):	11,950 - 34,100 BTU
Efficiency:	90%
<hr/>	
Energy efficiency class:	A
Venting \varnothing (inch):	5" x 8"
<hr/>	
Black steel:	(Standard)
Black reflective panels:	(Optional)
<hr/>	
Connect to home automation:	(Optional)
Operation via app - wifi kit (ProControl):	(Optional)
Powerfan:	(Optional)
Anti-reflective glass:	(Optional)
Access door:	(Optional)
Remote control:	(Standard)
Convection grills built-in and surface-mounted:	(Optional)

MODORE 140





Gasfire

SKY SMALL FRONT OUTDOOR

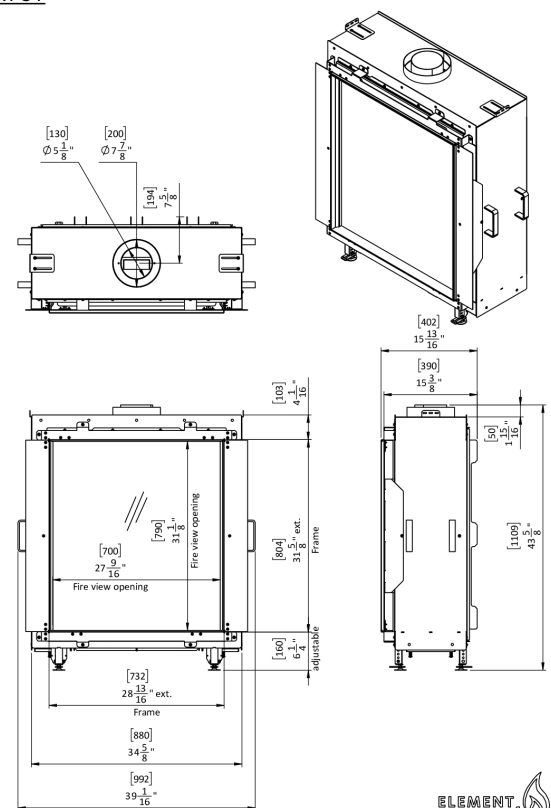
Real Flame Burner	
Natural gas (min-max):	17,000 - 44,000 BTU
Propane (min-max):	11,000 - 36,000 BTU
Efficiency:	89%

Energy efficiency class:	A
Venting \varnothing (inch):	5" x 8"

Black steel:	(Standard)
Black reflective panels:	(Optional)

Connect to home automation:	(Optional)
Operation via app - wifi kit (ProControl):	(Optional)
Powerfan:	(Optional)
Anti-reflective glass:	(Optional)
Access door:	(Optional)
Remote control:	(Standard)
Convection grills built-in and surface-mounted:	(Optional)
LED bottom lighting:	(Optional)

SKY SF





Gasfire

SKY MEDIUM FRONT OUTDOOR

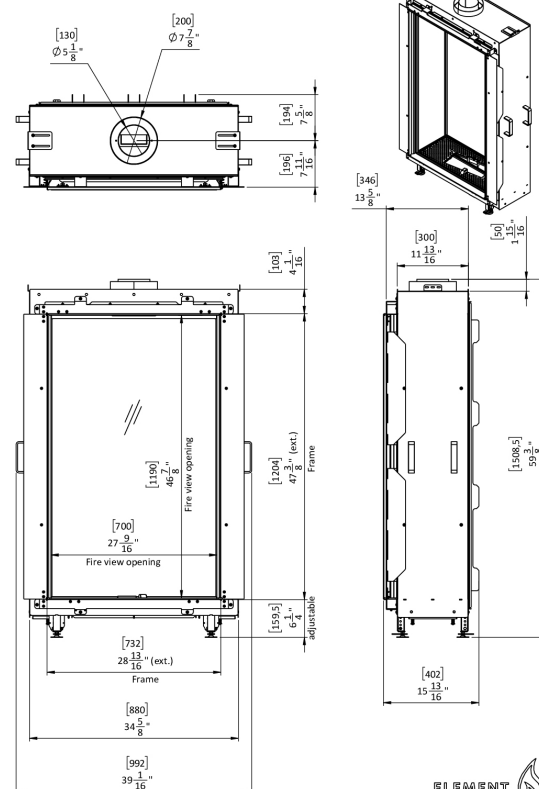
Real Flame Burner	
Natural gas (min-max):	17,000 - 44,000 BTU
Propane (min-max):	11,000 - 36,000 BTU
Efficiency:	89%

Energy efficiency class:	A
Venting ϕ (inch):	5" x 8"

Black steel:	(Standard)
Black reflective panels:	(Optional)

Connect to home automation:	(Optional)
Operation via app - wifi kit (ProControl):	(Optional)
Powerfan:	(Optional)
Anti-reflective glass:	(Optional)
Access door:	(Optional)
Remote control:	(Standard)
Convection grills built-in and surface-mounted:	(Optional)
LED bottom lighting:	(Optional)

SKY MEDIUM F



ELEMENT 4



Gasfire

SKY LARGE FRONT OUTDOOR

Double burner, Real Flame Burner

Natural gas (min-max): 17,000 - 44,000 BTU

Propane (min-max): 11,000 - 36,000 BTU

Efficiency: 86%

Energy efficiency class: A

Venting ϕ (inch): 5" x 8"

Black steel: (Standard)

Black reflective panels: (Optional)

Connect to home automation: (Optional)

Operation via app - wifi kit (ProControl): (Optional)

Powerfan: (Optional)

Anti-reflective glass: (Optional)

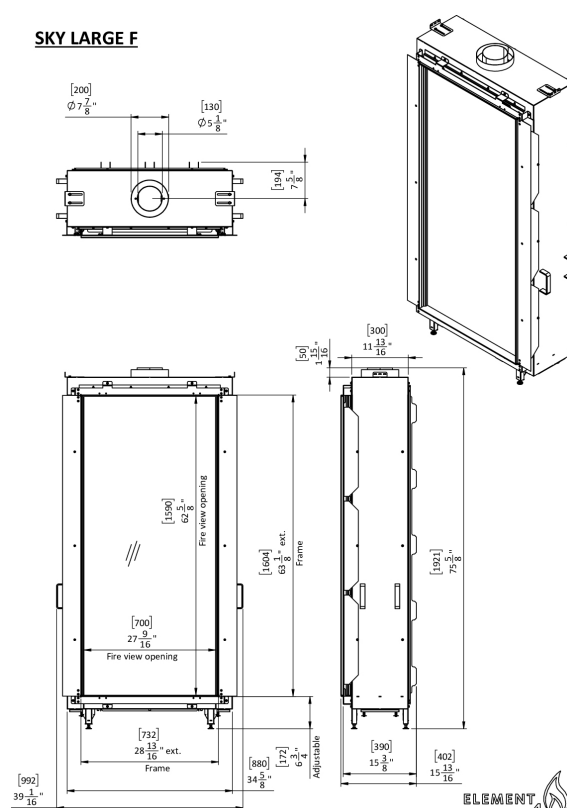
Access door: (Optional)

Remote control: (Standard)

Convection grills built-in and surface-mounted: (Optional)

LED bottom lighting: (Optional)

SKY LARGE F





Gasfire

SKY SMALL TUNNEL OUTDOOR

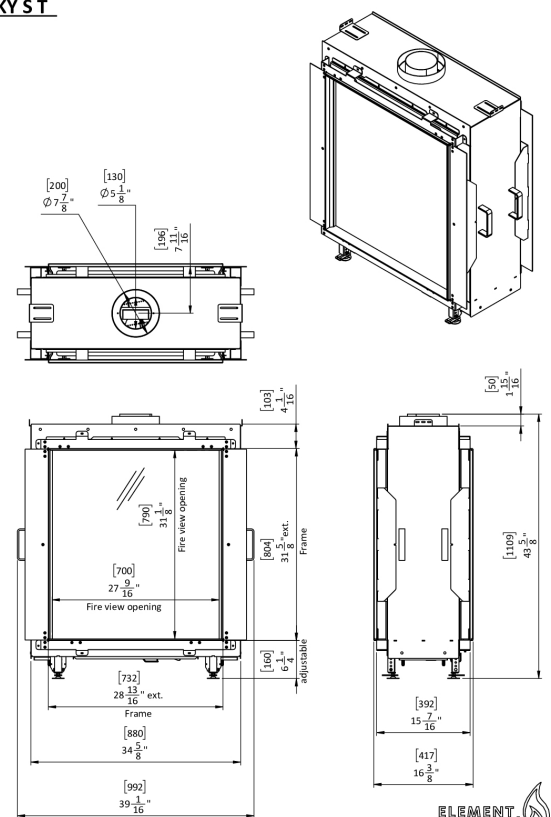
Real Flame Burner	
Natural gas (min-max):	17,000 - 44,000 BTU
Propane (min-max):	11,000 - 36,000 BTU
Efficiency:	89%

Energy efficiency class:	A
Venting \varnothing (inch):	5" x 8"

Black steel:	(Standard)
Black reflective panels:	(Optional)

Connect to home automation:	(Optional)
Operation via app - wifi kit (ProControl):	(Optional)
Powerfan:	(Optional)
Anti-reflective glass:	(Optional)
Access door:	(Optional)
Remote control:	(Standard)
Convection grills built-in and surface-mounted:	(Optional)
LED bottom lighting:	(Optional)

SKY ST



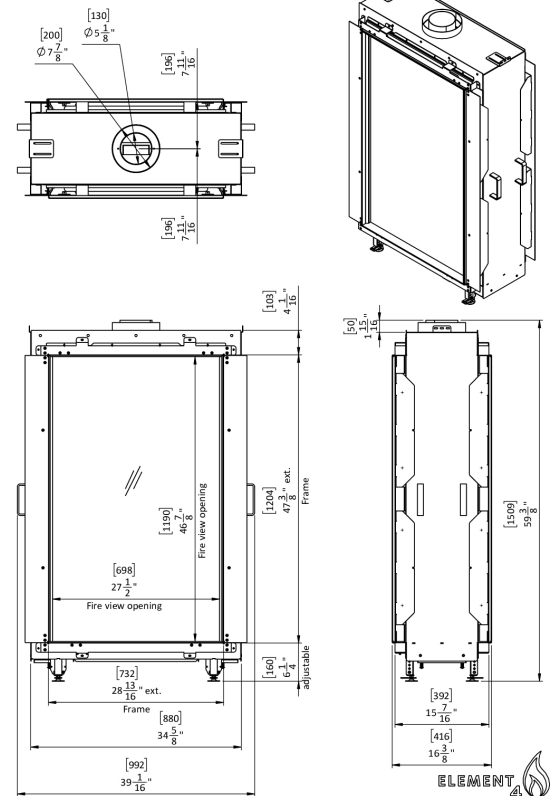


Gasfire

SKY MEDIUM TUNNEL OUTDOOR

Real Flame Burner	
Natural gas (min-max):	17,000 - 44,000 BTU
Propane (min-max):	11,000 - 36,000 BTU
Efficiency:	89%
Energy efficiency class:	A
Venting \varnothing (inch):	5" x 8"
Black steel:	(Standard)
Black reflective panels:	(Optional)
Connect to home automation:	(Optional)
Operation via app - wifi kit (ProControl):	(Optional)
Powerfan:	(Optional)
Anti-reflective glass:	(Optional)
Access door:	(Optional)
Remote control:	(Standard)
Convection grills built-in and surface-mounted:	(Optional)
LED bottom lighting:	(Optional)

SKY M T





Gasfire

SKY LARGE TUNNEL OUTDOOR

Double burner, Real Flame Burner

Natural gas (min-max): 17,000 - 44,000 BTU

Propane (min-max): 11,000 - 36,000 BTU

Efficiency: 86%

Energy efficiency class: A

Venting \varnothing (inch): 5" x 8"

Black steel: (Standard)

Black reflective panels: (Optional)

Connect to home automation: (Optional)

Operation via app - wifi kit (ProControl): (Optional)

Powerfan: (Optional)

Anti-reflective glass: (Optional)

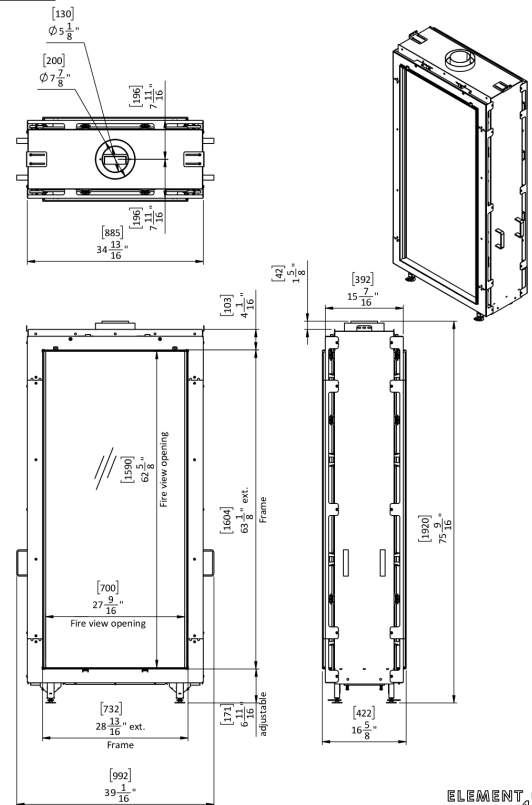
Access door: (Optional)

Remote control: (Standard)

Convection grills built-in and surface-mounted: (Optional)

LED bottom lighting: (Optional)

SKY LT



ELEMENT

**AN EXTRAORDINARY INTERIOR NEEDS A
FIREPLACE FROM ELEMENT4**



ELEMENT
4 

