

WOOD STOVES

# ALDERLEA

CATALYTIC-FREE | EPA2020 CERTIFIED

**PACIFIC  
ENERGY**



FEATURING  
**LE2**  
PRODUCTS

# ALDERLEA

FREESTANDING CAST-IRON  
OVER STEEL STOVES



With elegant, historic styling that adds to the decor of any room, the Alderlea Series wood stoves combine the best of cast iron and steel stoves: offering radiant and convective heat, with a concealed cooktop\* and a huge glass window for a clean view of the flame. It's an easy-to-light, easy-to use, long-burning wood heater with old world charm and unmatched durability.

ALDERLEA T5 LE



ALDERLEA T4 LE2



ALDERLEA T5 LE



ALDERLEA T6 LE

\*available only on Alderlea T5 LE and T6 LE stoves





**BUILD YOUR STOVE**  
[pacifenergy.net/build-your-stove](http://pacifenergy.net/build-your-stove)



ALDERLEA T6 LE



ALDERLEA T5 LE



# ALDERLEA CLASSIC

FREESTANDING CAST-IRON  
OVER STEEL STOVES



The timeless beauty of cast iron with the added grace of porcelain enamel - the Alderlea Classic wood stoves are full of old-world charm and elegance, and boast an outstanding list of standard features.

ALDERLEA T5 CLASSIC LE - MAJOLICA BROWN



ALDERLEA T4 CLASSIC LE2 - IVORY (L) & MAJOLICA (R)

ALDERLEA T5 CLASSIC LE - SUNSET RED (L) & MAJOLICA (R)





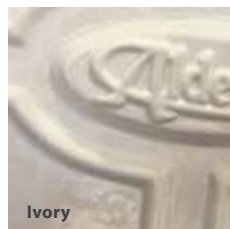
**BUILD YOUR STOVE**  
pacificenergy.net/build-your-stove



ALDERLEA T5 CLASSIC LE – SUNSET RED

**PORCELAIN ENAMEL OPTIONS**

Available for Alderlea T4 Classic LE2



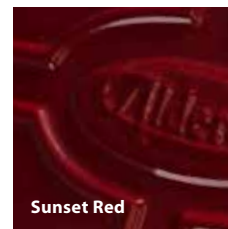
Ivory



Majolica



Antique White



Sunset Red

Alderlea Classic stoves are available in four striking porcelain enamel colors – Ivory and Majolica for the Alderlea T4 Classic LE2 model and Majolica, Antique White and Sunset Red for the Alderlea T5 Classic LE model. Optional colors available, please see Dealer.

Available for Alderlea T5 Classic

**EPA2020  
CERTIFIED**



All Pacific Energy wood stoves come standard with these industry leading features:

- EPA 2020 Certified
- High capacity baffle system
- Multi-port combustion air injection system
- Air wash system for super clean ceramic glass
- Inside and outside combustion air capable
- Floating firebox for extended stove life
- Single-Lever Air Control
- Mobile Home Approved



## ALDERLEA T4 LE2 ALDERLEA T4 CLASSIC LE2

For spaces up to 1500 sq. ft.

Heat Output Cord Wood  
**54,000 BTU**

30,150 BTU EPA Test Fuel

Efficiency (HHV)	75.4%
Emissions	1.6 gm/hr.
Log Size (recommended)	16"
Log Size (max)	18"
Firebox Size	1.4 cu.ft.
Viewing Area	152 sq.in.



## ALDERLEA T5 LE ALDERLEA T5 CLASSIC LE

For spaces up to 2000 sq. ft.

Heat Output Cord Wood  
**72,000 BTU**

38,200 BTU EPA Test Fuel

Efficiency (HHV)	71.3%
Emissions	1.8 gm/hr.
Log Size (recommended)	16"
Log Size (max)	18"
Firebox Size	2.1 cu.ft.
Viewing Area	163 sq.in.

## ALDERLEA T6 LE

For spaces up to 3000 sq. ft.

Heat Output Cord Wood  
**99,000 BTU**

41,275 BTU EPA Test Fuel

Efficiency (HHV)	74%
Emissions	1.8 gm/hr.
Log Size (recommended)	18"
Log Size (max)	20"
Firebox Size	3.0 cu.ft.
Viewing Area	185 sq.in.

### ALDERLEA T4 LE2

#### STANDARD FEATURES

ACMS (Advanced Combustion Management System)  
Reliable, durable, catalytic-free technology  
304 Stainless Steel Baffle, Insulation Cover, Rails and Flame Shield  
Boost air for easy lighting  
Easy to use ash disposal system  
Fits close wall clearances without heat shields  
6" flue  
East-West loading

#### ALDERLEA T4 CLASSIC LE2

Alderlea T4 Classic LE2 is available in two porcelain enamel colours – Majolica and Ivory

#### PERFORMANCE OPTIONS

Temperature-Actuated Variable-Speed Blower

### ALDERLEA T5 LE

#### STANDARD FEATURES

Reliable, durable, catalytic-free technology  
Extended Burn Technology (EBT)  
304 Stainless Steel Baffle, Insulation Cover, Rails and Flame Shield  
Boost air for easy lighting  
Easy to use ash disposal system  
Swing out food warming shelves  
Concealed cooktop fits 6" x 13" pan  
Fits close wall clearances without heat shields  
6" flue  
North-South loading

#### ALDERLEA T5 CLASSIC LE

Alderlea T5 Classic LE is available in three porcelain enamel colours – Majolica, Sunset Red, and Antique White

#### PERFORMANCE OPTIONS

Temperature-Actuated Variable-Speed Blower

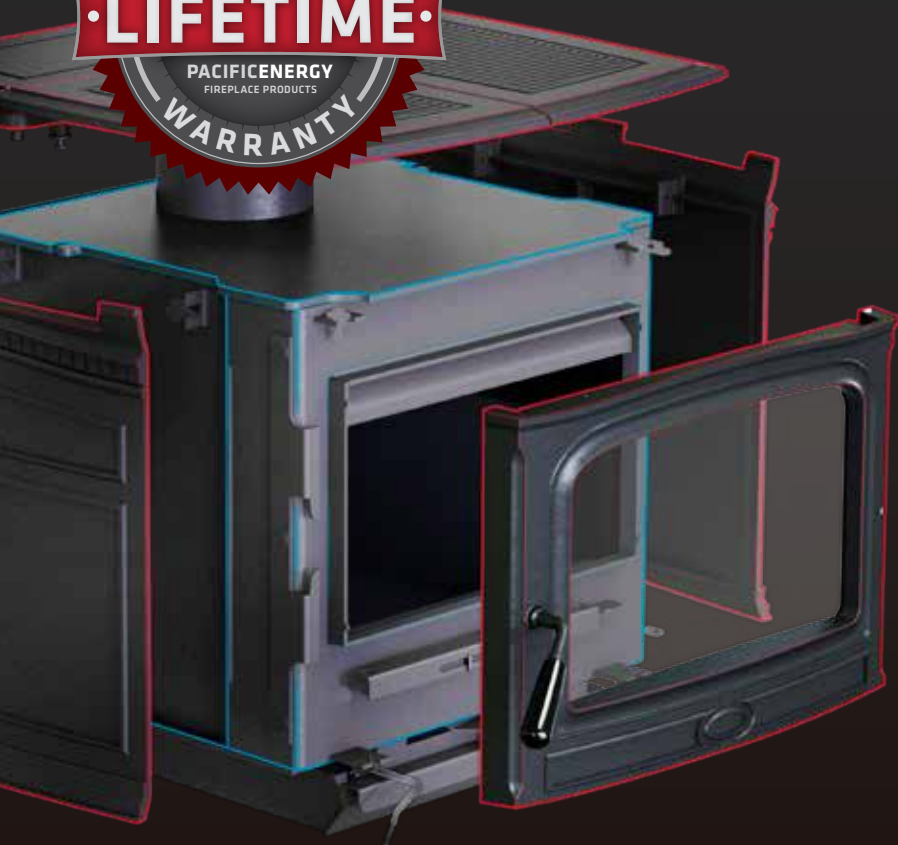
### ALDERLEA T6 LE

#### STANDARD FEATURES

Reliable, durable, catalytic-free technology  
Extended Burn Technology (EBT)  
304 Stainless Steel Baffle, Insulation Cover, Rails and Flame Shield  
Boost air for easy lighting  
Easy to use ash disposal system  
Metallic black cast iron finish  
Swing out food warming shelves  
Concealed cooktop fits 6" x 13" pan  
Fits close wall clearances without heat shields  
6" flue  
North-South loading

#### PERFORMANCE OPTIONS

Temperature-Actuated Variable-Speed Blower



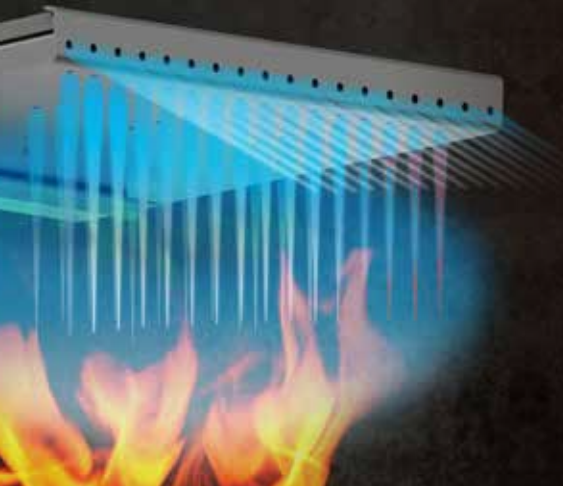
 **CAST IRON OVER STEEL**

Until we pioneered the Alderlea line, and its revolutionary iron-wrapped steel firebox, a cast-iron stove was just that: cast iron. The Alderlea design makes the most of each metal: the steel stove and floating firebox is free to expand and contract, and its design maximizes convective heat efficiency, while the cast iron wrapping provides radiant heat. This superior system greatly extends longevity over an all cast stove. Metal fatigue is no longer a factor, allowing us to offer the industry's first lifetime warranty on a cast stove.

This technical innovation lives "under the skin" of the Alderlea line, which maintains the beloved traditional woodstove appearance. We say it's "powered by design, and crafted by tradition".

 **BAFFLE SYSTEM**

Pacific Energy leads the industry in premium clean burn technology. Our unique high capacity baffle system preheats secondary combustion air for an extremely effective reburn. By burning the combustible elements in the air, we improve our stove's environmental performance while significantly reducing the amount of wood consumed.



 **FLOATING FIREBOX**

All fireboxes are subjected to wild extremes of temperatures. Solidly designed with steel brick support rails, our legendary floating system allows key parts to freely expand and contract to drastically reduce metal fatigue and add years of life to the entire appliance. The high capacity stainless steel baffle (part of the clean-burning secondary combustion system) and the flame shield (which protects the stove top from intense heat) are integral components of our legendary floating firebox system.

 **EBT2 EXTENDED BURN**

EBT2 (the second generation of Extended Burn Technology) is field proven to be highly effective at controlling the secondary burn system, extending burn times and reducing overall emissions.

PERFORMANCE EFFICIENCY	BURN TIME		
	Combustion Air	Fuel Quality	Draft
			no EBT
			<b>EBT</b>

 **SELF SEALING ASH DUMP SYSTEM**

Our self-sealing ash dump system, with its spring-loaded trap door provides a time saving, hassle-free ash removal solution that, frankly, has yet to be equaled. Pacific Energy's machined steel, spring loaded ash removal system is opened from outside the stove and closes automatically for safety and convenience when you're done.

 **AIR WASH**

Pacific Energy developed the first effective air wash manifold systems, a design that flows pre-heated air to the glass surface to keep it clean. A refined design now creates a high-pressure zone in the center and forces air to flow from above and across the glass. Even at low air settings, we are confident that our air wash system is the most effective available. And that our glass doors are among the cleanest in the industry.

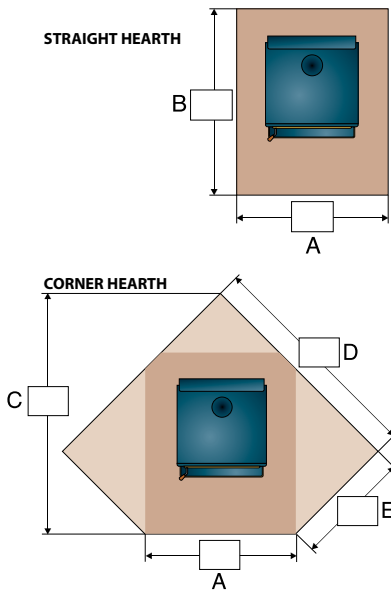


**@pacificenergyfireplaceproducts**

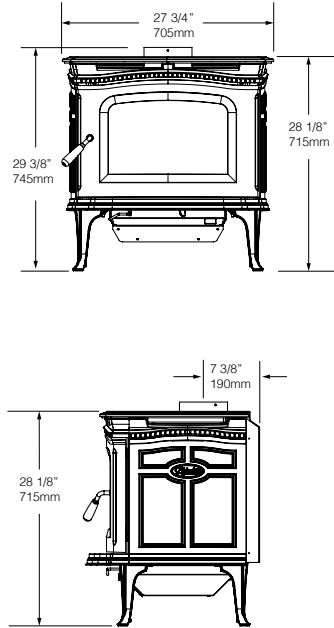
Follow us on Facebook and Instagram for news, promotions, and inspiring installations.



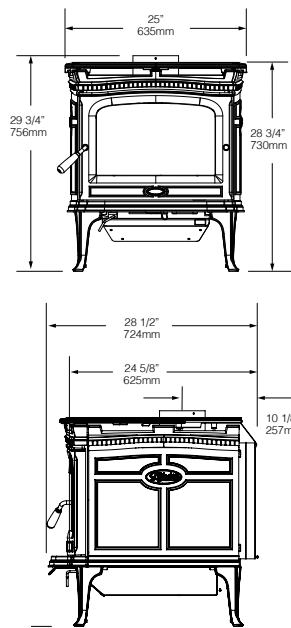
## FLOOR PROTECTOR DIMENSIONS



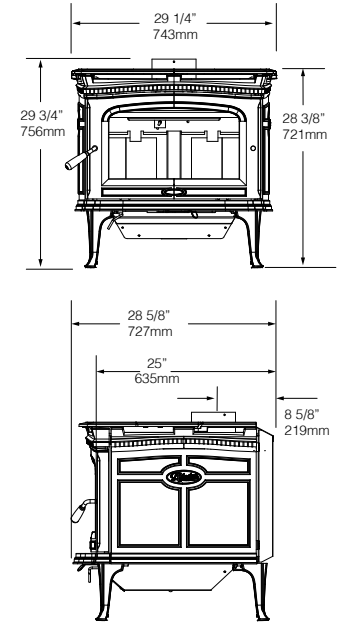
## ALDERLEA T4 LE2



## ALDERLEA T5 LE



## ALDERLEA T6 LE



## CANADA

	ALDERLEA T4 LE2 & ALDERLEA T4 CLASSIC LE2					ALDERLEA T5 LE & ALDERLEA T5 CLASSIC LE					ALDERLEA T6 LE				
	A	B	C	D	E	A	B	C	D	E	A	B	C	D	E
Minimum (Not extended to back wall)	44"	45"	-	-	-	40"	50 3/4"	-	-	-	43"	51"	-	-	-
Residential, single wall, vertical connector	44"	45"	62 3/8"	58 1/4"	30"	40"	50 3/4"	62 3/8"	58 1/4"	30"	43"	52"	62 7/8"	59 5/8"	29 1/4"
Residential, double wall, vertical connector	44"	45"	58 1/8"	55 1/4"	27"	40"	50 3/4"	58 1/8"	55 1/4"	27"	43"	50 1/2"	61 3/8"	58 5/8"	28 1/4"
Alcove, double wall, connector	44"	45"	-	-	-	40"	50 3/4"	-	-	-	43"	53"	-	-	-
Mobile home	44"	45"	58 1/8"	55 1/4"	27"	40"	50 3/4"	58 1/8"	55 1/4"	27"	43"	53"	65 5/8"	61 5/8"	31 1/4"

## USA

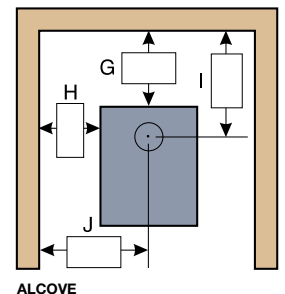
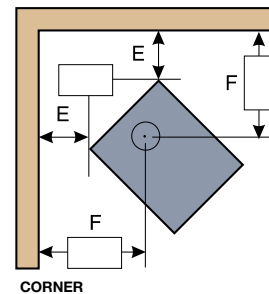
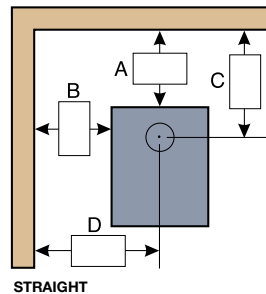
	ALDERLEA T4 LE2 & ALDERLEA T4 CLASSIC LE2					ALDERLEA T5 LE & ALDERLEA T5 CLASSIC LE					ALDERLEA T6 LE				
	A	B	C	D	E	A	B	C	D	E	A	B	C	D	E
Minimum (Not extended to back wall)	34"	35"	-	-	-	34"	40 1/2"	-	-	-	36"	41"	-	-	-
Residential, single wall, vertical connector	34"	35"	62 3/8"	58 1/4"	30"	34"	40 1/2"	60 3/8"	54 3/4"	30 5/8"	36"	50"	60 7/8"	55 3/4"	30 1/4"
Residential, double wall, vertical connector	34"	35"	58 1/8"	55 1/4"	27"	34"	40 1/2"	56 1/8"	51 3/4"	27 5/8"	36"	48 1/2"	59 3/8"	54 3/4"	29 1/4"
Alcove, double wall, connector	34"	35"	-	-	-	34"	40 1/2"	-	-	-	36"	51"	-	-	-
Mobile home	34"	35"	58 1/8"	55 1/4"	27"	34"	40 1/2"	56 1/8"	51 3/4"	27 5/8"	36"	51"	63 5/8"	57 3/4"	32 1/4"

## CLEARANCES TO COMBUSTIBLES

		From top of stove to ceiling	STRAIGHT (VERTICAL CONNECTOR)				CORNER		ALCOVE			
			A	B	C	D	E	F	G	H	I	J
			<b>RESIDENTIAL SINGLE WALL CONNECTOR</b>	ALDERLEA T4 LE2 & T4 CLASSIC LE2	55"	10"	10"	17 3/8"	23 7/8"	7"	20 1/2"	10"
	ALDERLEA T5 & T5 CLASSIC LE	55"	8"	14"	18"	26"	7"	21"	N/A	N/A	N/A	N/A
	ALDERLEA T6 LE	55"	9"	14"	17 5/8"	28 3/4"	6"	20 1/8"	N/A	N/A	N/A	N/A
<b>RESIDENTIAL DOUBLE WALL CONNECTOR</b>	ALDERLEA T4 LE2 & T4 CLASSIC LE2	55"	8"	8"	15 3/8"	21 7/8"	5"	18 1/2"	8"	8"	15 3/8"	21 7/8"
	ALDERLEA T5 & T5 CLASSIC LE	55"	5"	14"	15"	26"	4"	18"	5"	14"	15"	26"
	ALDERLEA T6 LE	55"	7 1/2"	13"	16 1/8"	27 5/8"	5"	19 1/8"	10"	16"	18 5/8"	30 5/8"
<b>MOBILE HOME DOUBLE WALL CONNECTOR</b>	ALDERLEA T4 LE2 & T4 CLASSIC LE2	55"	8"	8"	15 3/8"	21 7/8"	5"	18 1/2"	8"	8"	15 3/8"	21 7/8"
	ALDERLEA T5 & T5 CLASSIC LE	55"	5"	14"	15"	26"	4"	18"	N/A	N/A	N/A	N/A
	ALDERLEA T6 LE	55"	10"	18"	18 5/8"	32 5/8"	8"	22 1/8"	N/A	N/A	N/A	N/A



Pacific Energy is committed to continuous product improvement and innovation. As a result, appearance and specifications of the products featured in this brochure are subject to change without notice. For more information, please visit [pacificenergy.net](http://pacificenergy.net)



For reference only. Installations should be based on manuals and rating labels.