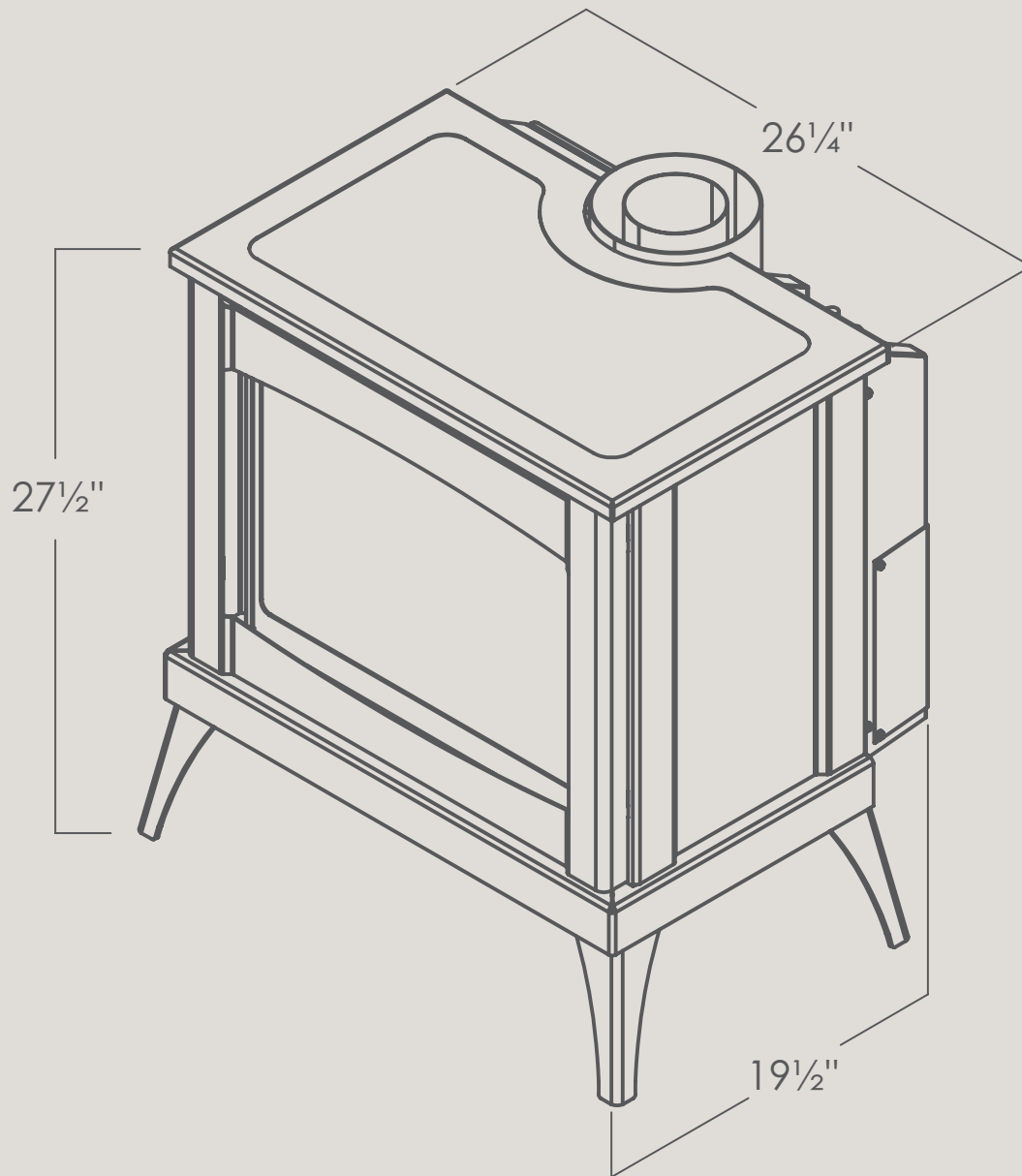


## Westport - Steel Dimensions



### Clearance to Combustibles

Min. distance to the sides of the unit	11"
Minimum non-combustible surface behind the unit	2.5"
Minimum non-combustible surface from above the unit	42"

Please see owner's manual for more information

Measurements are approximate please consult owners manual for details.