



Q1 FIREPLACE

Installation Reference Guide

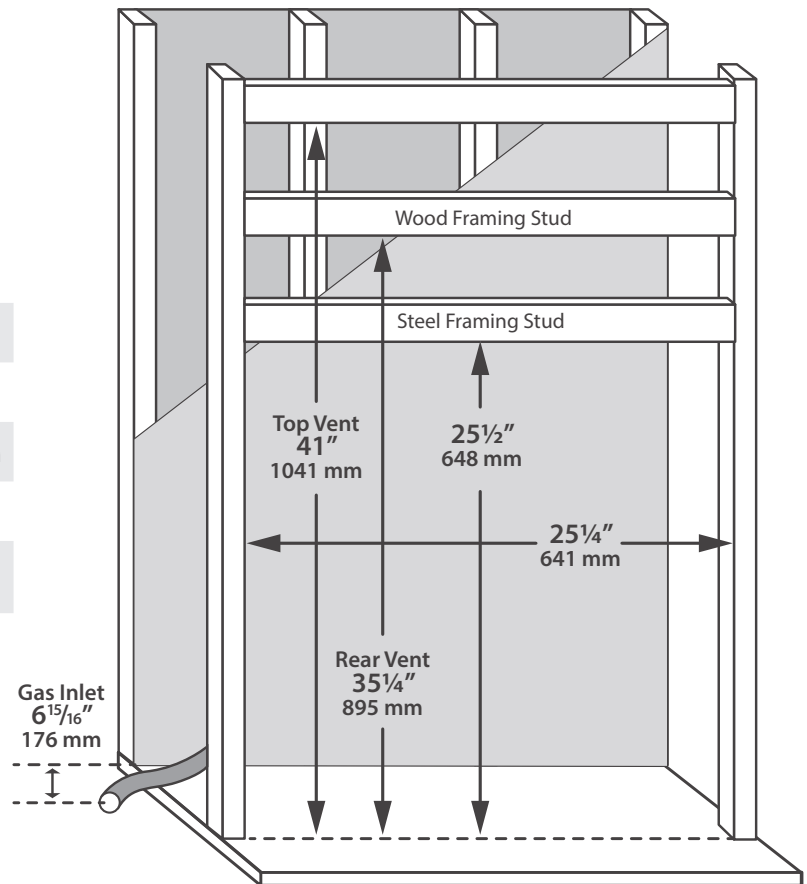
REFER TO OWNER'S MANUAL FOR SPECIFIC INSTALLATION REQUIREMENTS AND ADDITIONAL PRODUCT INSTRUCTIONS

Minimum Framing Dimensions

Note: When framing the unit, care must be taken to consider the final floor thickness, the bottom of the fireplace must sit flush with the finished floor to ensure proper fit of the surround components

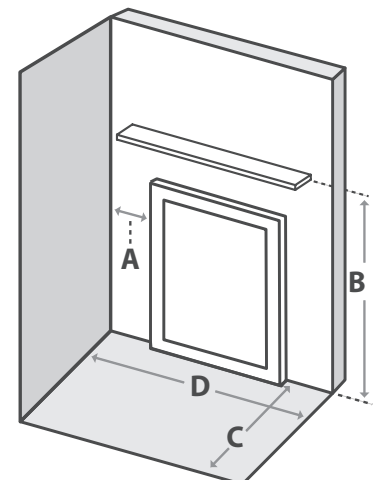
Width	25¼"	641 mm
Framing Height - Rear Vent	35¼"	895 mm
Framing Height - Top Vent	41"	1041 mm
Gas Inlet (Distance from Back)	6 15/16"	176 mm
Depth (No Surround Panel)	17 15/16"	456 mm

**Minimum dimension with only an elbow off the top. Any additional vertical rise added will increase the enclosure height accordingly.*

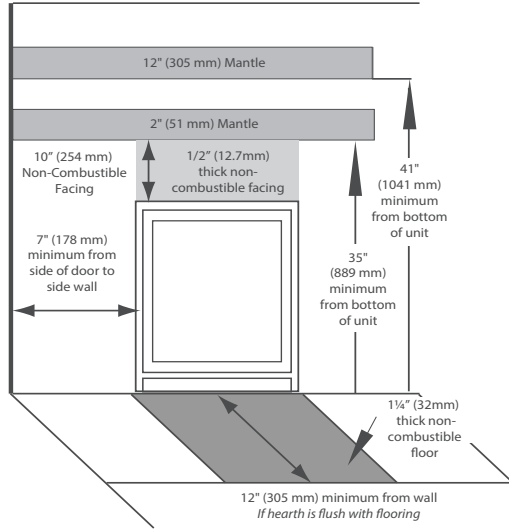


Clearance to Combustibles

A - Side of unit to side wall	7"	254 mm
B- Minimum clearance to mantel height	See Chart	See Chart
C - Front of door to edge of floor protection	12"	305 mm
D- Minimum alcove width	34"	864 mm



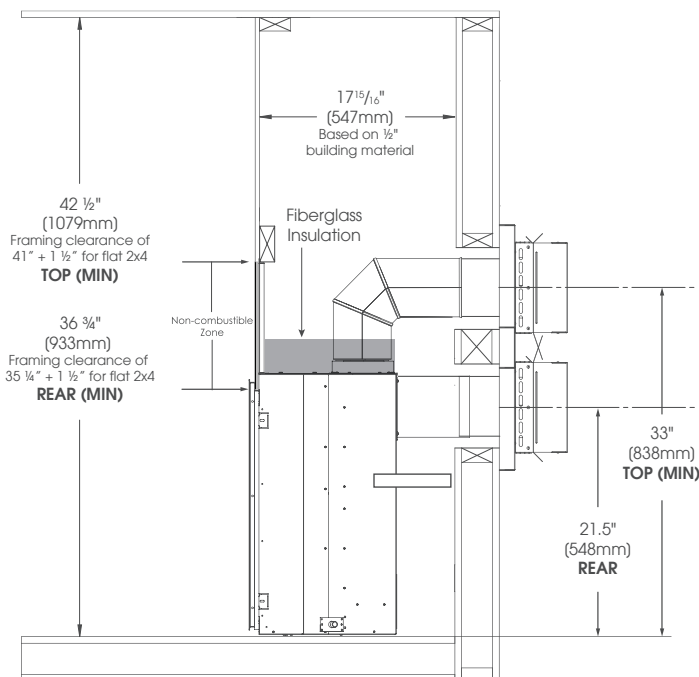
Mantle & Non-Combustible Clearances:



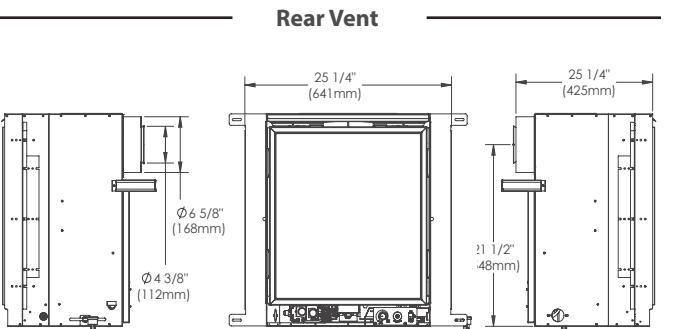
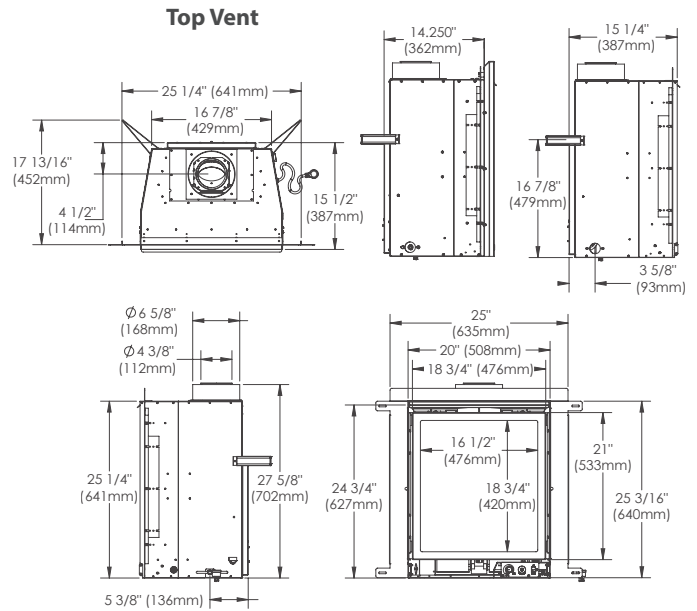
Minimum Venting Requirements

This appliance uses a 4" (101mm) exhaust / 6 5/8" (168mm) air intake vent pipe system. For safe and proper operation of the appliance follow the venting instructions exactly. Deviation from the minimum vertical length can create difficulty in burner start-up and sooting. Allow several minutes for the flame to stabilize after ignition under extreme vent configurations. It is recommended for vent lengths that pass through unheated spaces (garages, attics, crawl spaces) be insulated to minimize condensation. See manual for more info.

***Note: Glass Units can NOT be rear vented.**

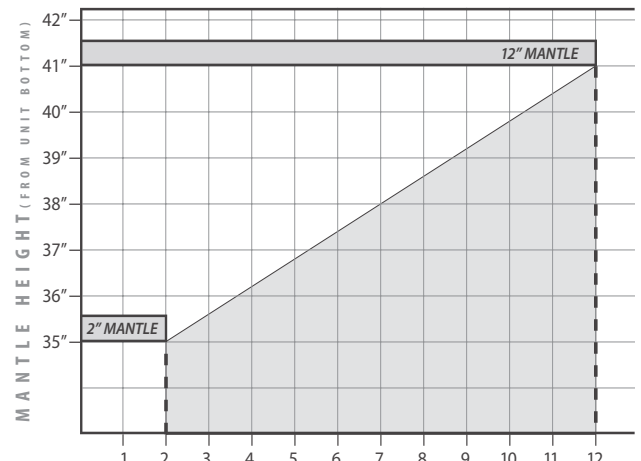


Fireplace Dimensions



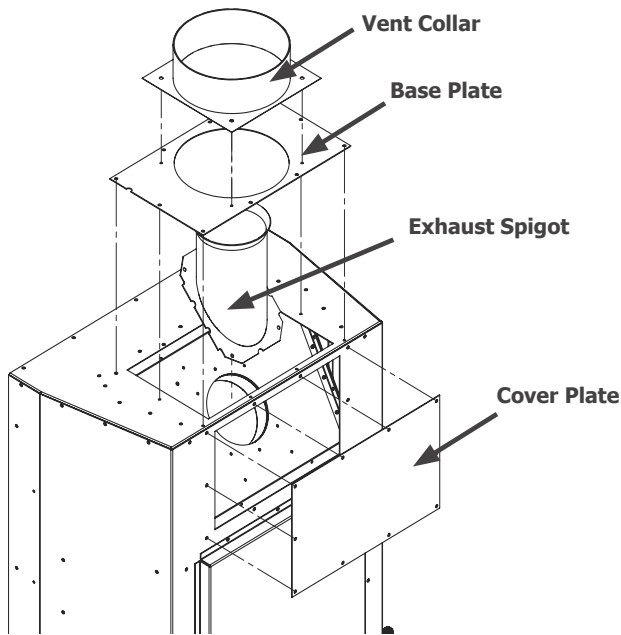
Mantle Projections

Note: Mantle height dimensions are based from the bottom of the appliance.

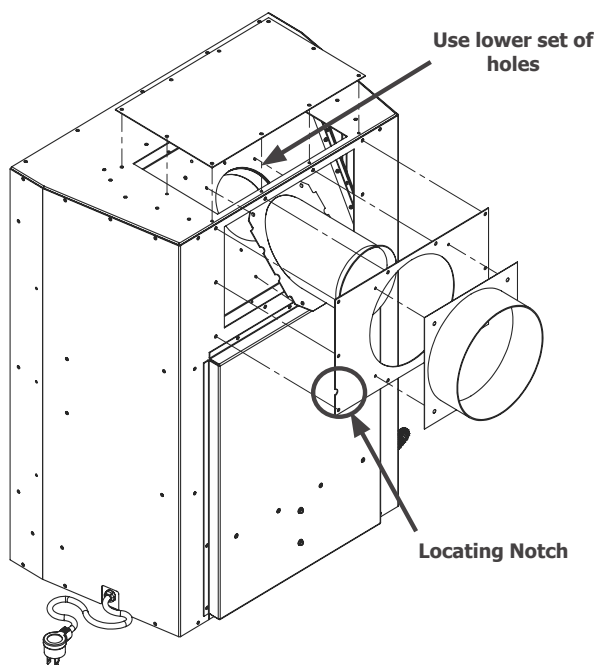


Rear Vent Conversion

Step 1: Using a T20 screwdriver remove the vent collar, base plate, cover plate and exhaust spigot (28 screws total)

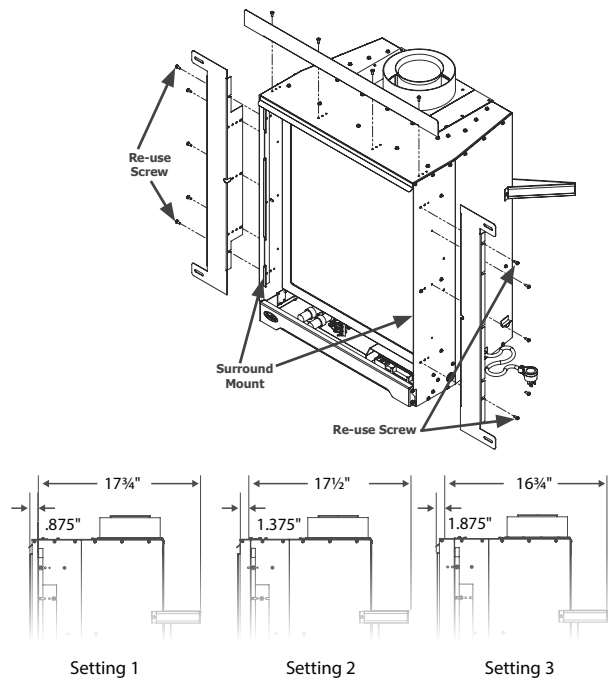


Switch the removed parts around as shown below and re-install all 28 screws. To correctly install the base plate keep the locating notch on each side at the bottom. Also note the exhaust spigot uses a lower set of holes when setup as a rear vent.



Clean Face Install

The Q1 is shipped with the Tiling Flanges packaged at the back of the unit. To install as a fireplace you must use the Tiling Flanges and Rear Standoffs. The Tiling Flanges double as the Side Standoffs. Take the three flanges out of the packing foam and install them onto the unit in the desired position. There are three positions the Tiling Flanges can be set to Measure the non-combustable and tiling material to determine which setting will work best for the install. With a T20 screwdriver, install the flanges as shown below using the T20 screws provided in the Manual Bag. The top and bottom screws that hold the surround mounts will need to be removed and re-used to install the Tiling Flanges.



Victorian Face Installation

- Surround Mounts must be swapped and installed prior to finishing.
- Finishing opening must be spaced $\frac{1}{2}$ " off the cabinet sides for surround mounts.

