



Cube Unpacking & Setup Instructions

Contents

- Black sea ember wool (x1)
- Rear Vent Top Cover (x1)
- Unpacking & Setup Guide (x1)

1. Remove the crate and packaging from the unit. The unit is attached to the pallet and will be removed at a later step.

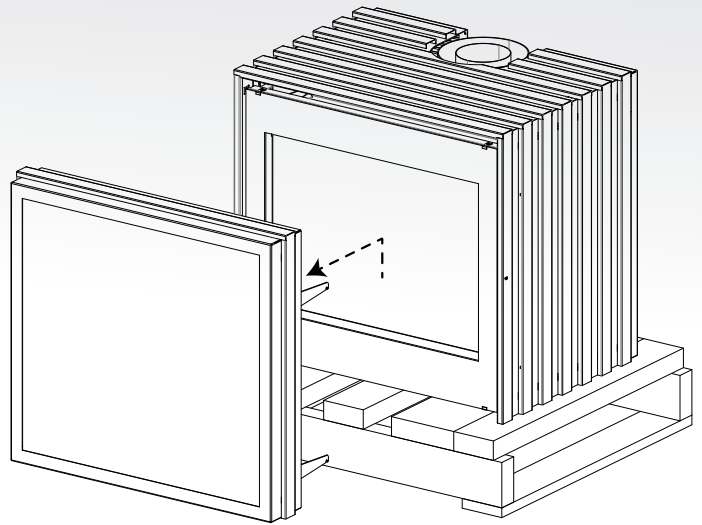


Figure 1: Safety Screen Removal

2. Remove the safety screen from the front of the unit. Lift the screen up to disengage the hooks and pull away from the unit. Refer to Figure 1.

3. The rear panel is attached to the unit using four (4) #8 T20 screws, two (2) on each side near the back of the unit. Detach these screws and remove the back panel. Refer to Figure 2.

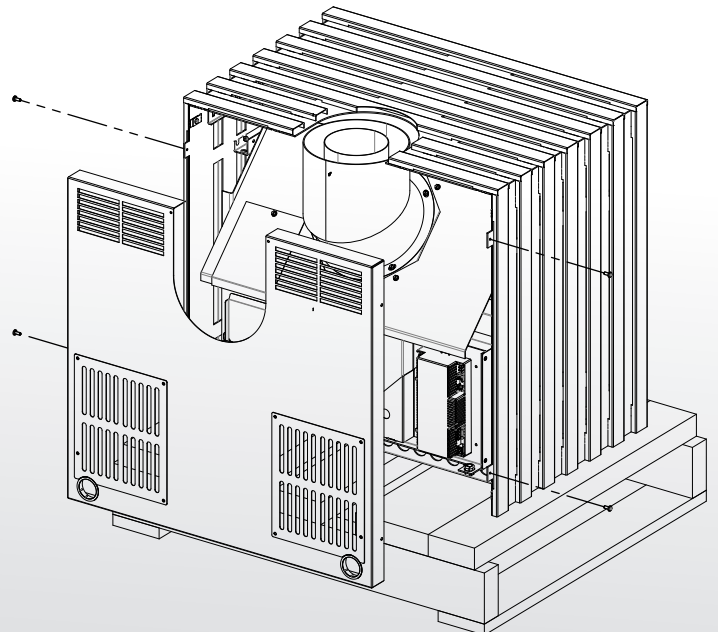


Figure 2: Back Cover Removal



4. Lift the top cover up and off of the unit (see Figure 3).

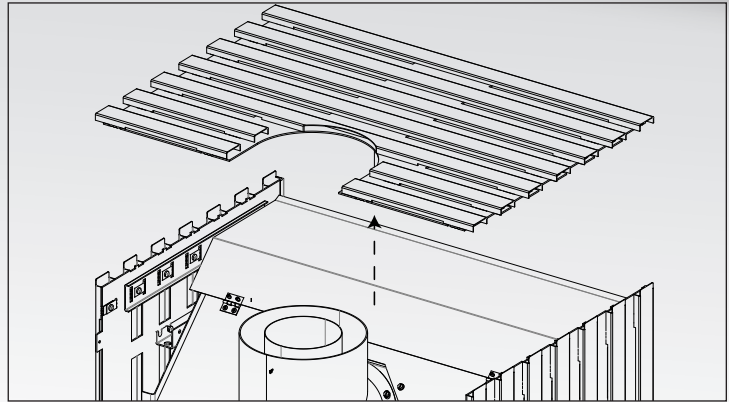


Figure 3: Top Plate Removal

5. Remove the front glass by lifting up to disengage the hooks and pull away from the unit. Refer to Figure 4.

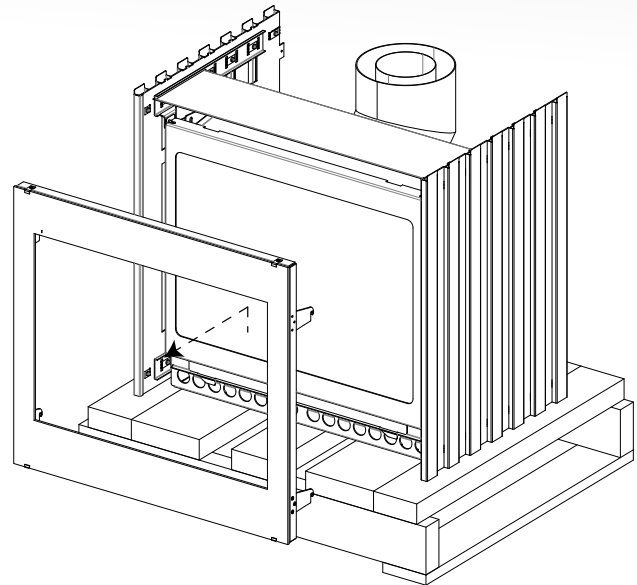


Figure 4: Outer Glass Removal

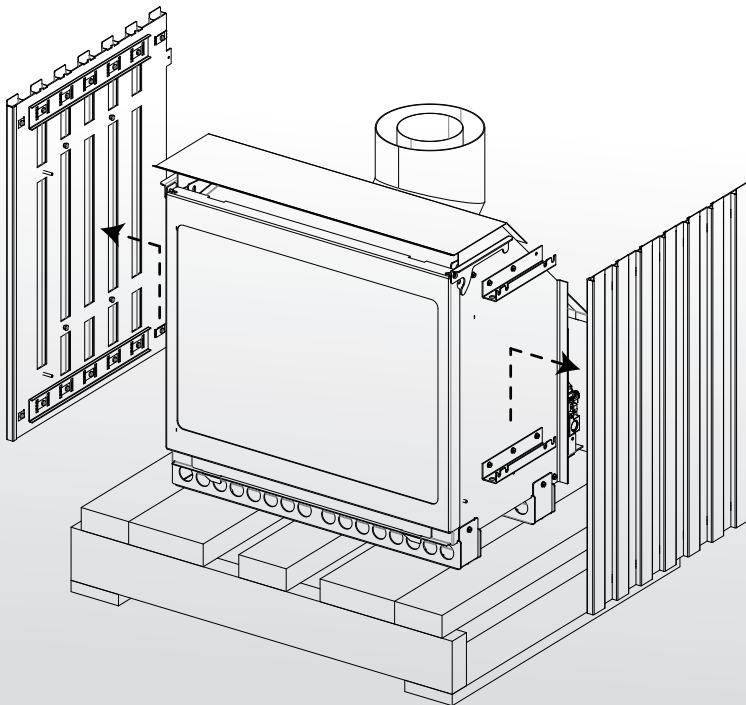


Figure 5: Side Panel Removal

6. Each of the side panels can now be removed. Lift the panel up and away from the unit. Refer to Figure 5.



7. The Cube is attached to the pallet via two brackets at the bottom of the unit. Detach the unit from these brackets by removing the four (4) #8 HEX screws, two on each side. Lift the unit up and place it off to the side for now. Refer to Figure 6.
8. Remove the wood screws securing the brackets to the pallet.

***NOTE:** If you are planning to install the optional fan kit, please complete everything up to wiring the fan kit before continuing. The fan kit installation instructions are included with the fan kit.

***NOTE:** The next steps apply to both the pedestal and platform options for the Cube. The shown diagrams will use the pedestal as an example.

9. Place two brackets on the table and line up the holes on the bracket to the table. Use four (4) #8 T20 Screws to fasten. (Figure 7)

10. Retrieve the Cube unit and align it over the brackets on the pedestal/platform. It will use the same holes that the brackets were previously attached to. Secure the unit to the pedestal as shown in Figure 7.

11. The Cube is now properly secured to the pedestal/platform. perform steps 2 through 6 in reverse order to reattach all outer pieces of the unit.

***NOTE:** If converting the Cube to a rear vented unit, unscrew the four (4) hex head bolts securing the intake/exhaust adapter, rotate it 180°, and reattach.

***NOTE:** If you are installing the optional fan kit, finish the remaining instructions (wiring the fan kit) before continuing.

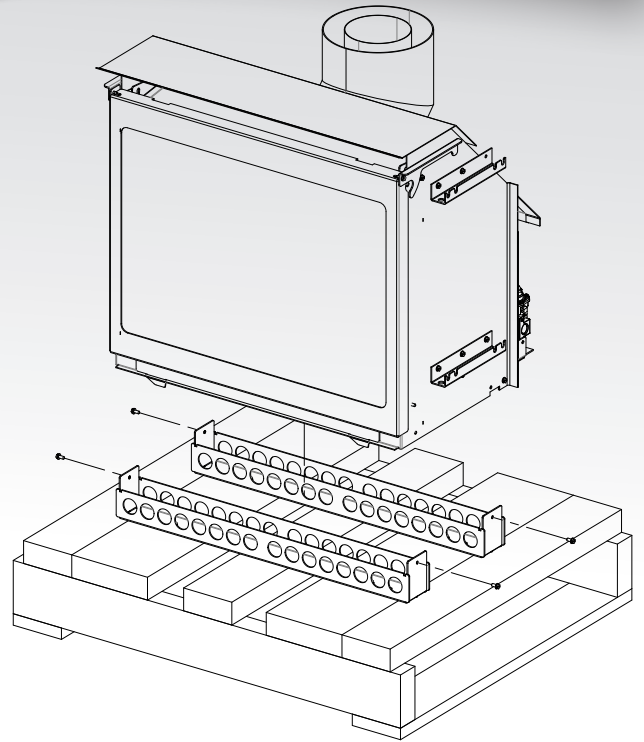


Figure 6: Unit Removal

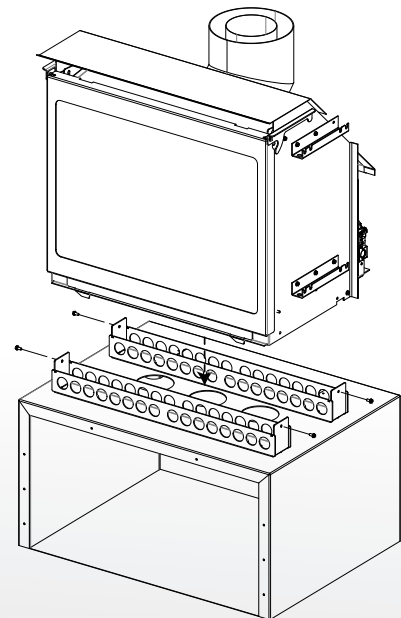


Figure 7: Unit Attachment