

S50 UNPACKING SHEET

ACCESSING THE UNIT: LIFTING THE TOP PLATE

The top plate of the unit is attached to 4 slotted supporting tabs. Lift the top plate upwards until it stops, then twist the top plate clockwise to set it in lock position. (see Figure 1 and 2 below).

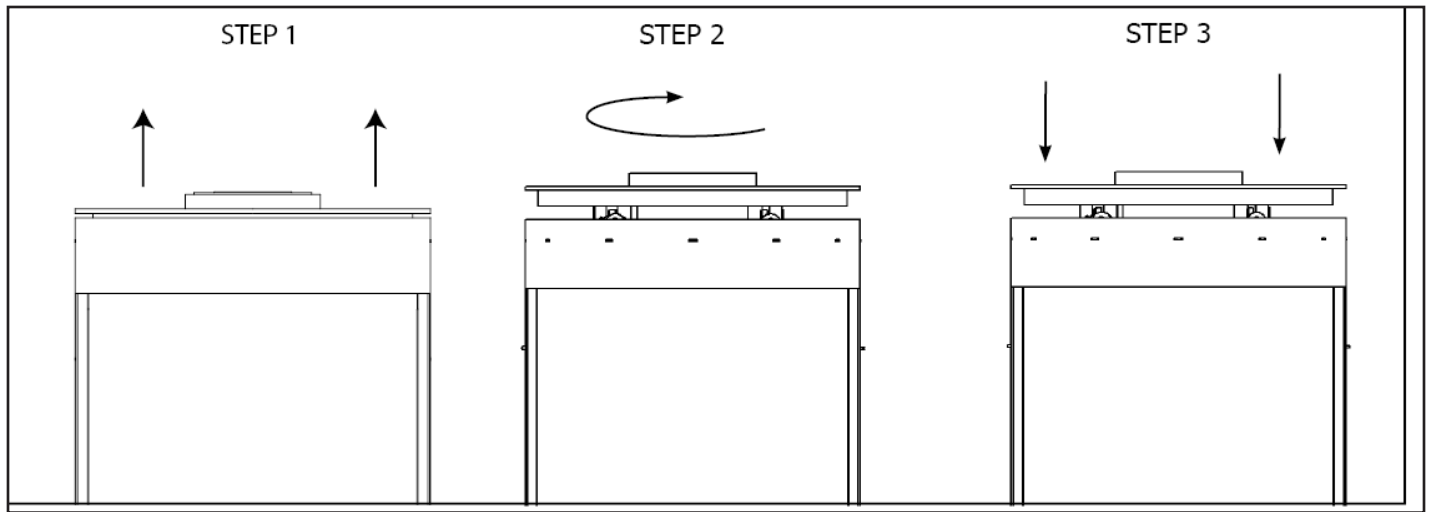


Figure 1: Lifting the Top Plate

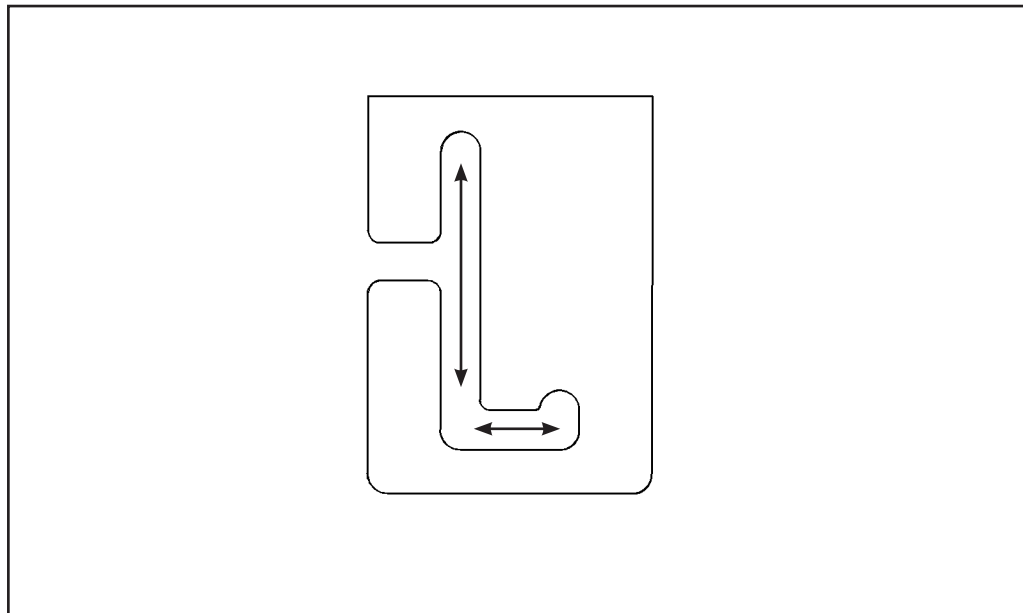


Figure 2: Top Plate Hinge Mechanism

ACCESSING THE UNIT: REMOVE DOOR FRAME & SKIRT

First remove the door frame followed by the skirt by grabbing on either side then lifting up to disengage the mounting hooks and bring out. No tools are required.

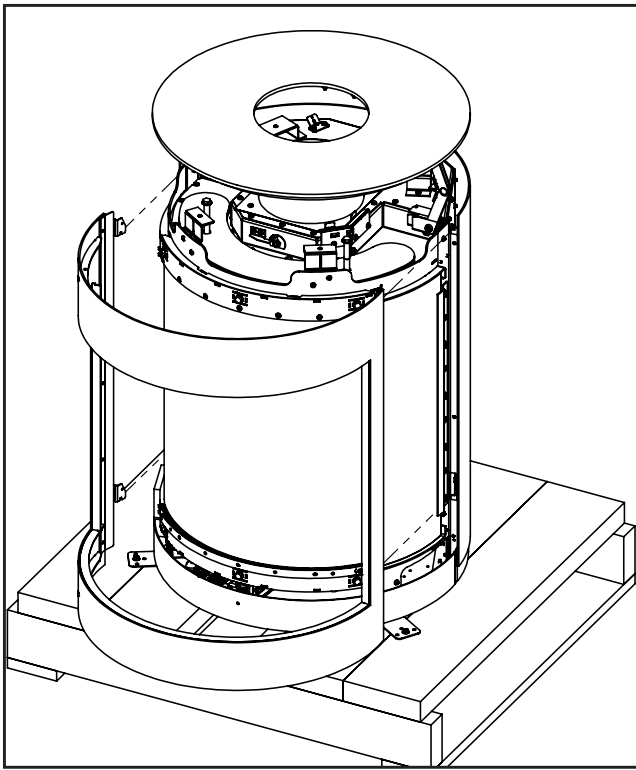


Figure 3: Door Frame Removal

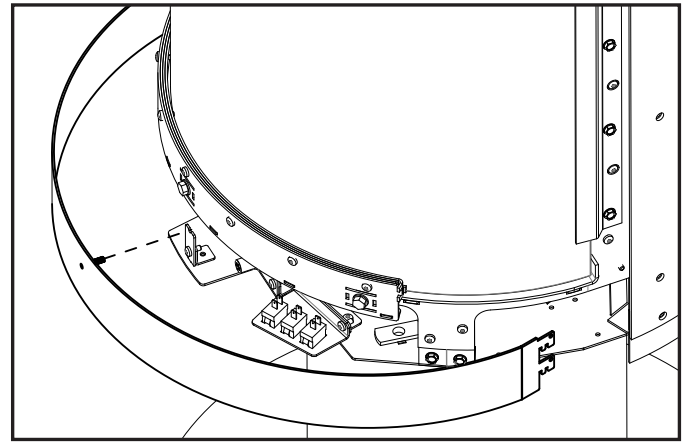


Figure 4: Skirt Removal

*See owner's manual for details instructions on remounting the door frame.

ACCESSING THE UNIT: REMOVE DOOR GLASS

The curved glass is retained using 4 clamps: 2 front clamps (top and bottom) and 2 side clamps. Loosen both-side clamps using a 5/16" socket (see Figure 4). Next, fully remove the top and bottom curved clamps using a 3/8" socket (see Figure 5). Shimmy the glass forward then grab it top and bottom by hand and carefully remove.

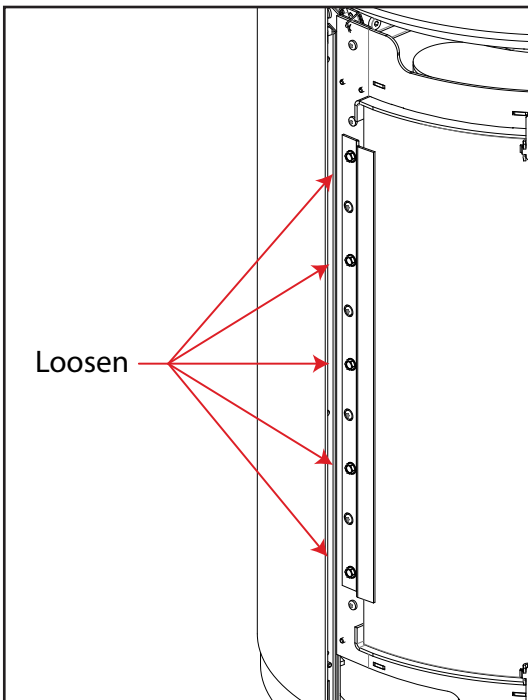


Figure 5: Loosen Side Clamps

***NOTE:** To reattach the glass, perform the above instructions in reverse order. **IT IS IMPORTANT THAT THE TOP AND BOTTOM RETAINERS ARE INSTALLED FIRST AND FULLY TIGHTENED.** Not doing so can result in door frame mounting interference.

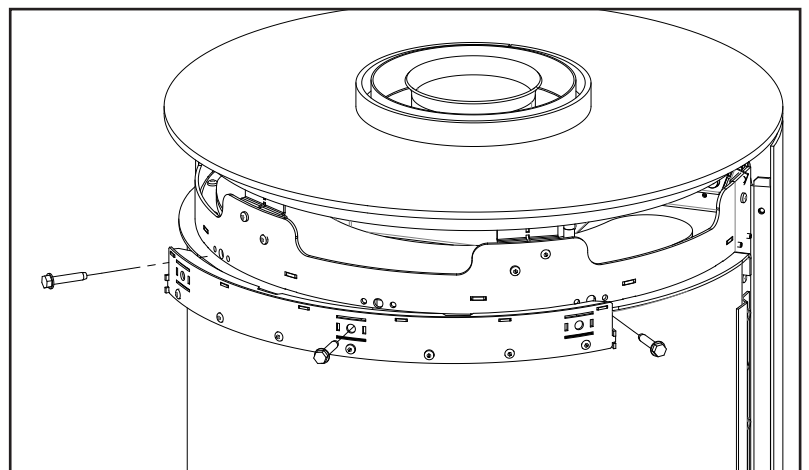


Figure 6: Glass Top/Bottom Clamps

REFER TO OWNER'S MANUAL INSIDE UNIT FOR FURTHER INSTRUCTIONS