



INSTALLATION MANUAL

Vector™ Series (TLV50N2 illustrated)

SAFETY INFORMATION

⚠ WARNING

FIRE OR EXPLOSION HAZARD

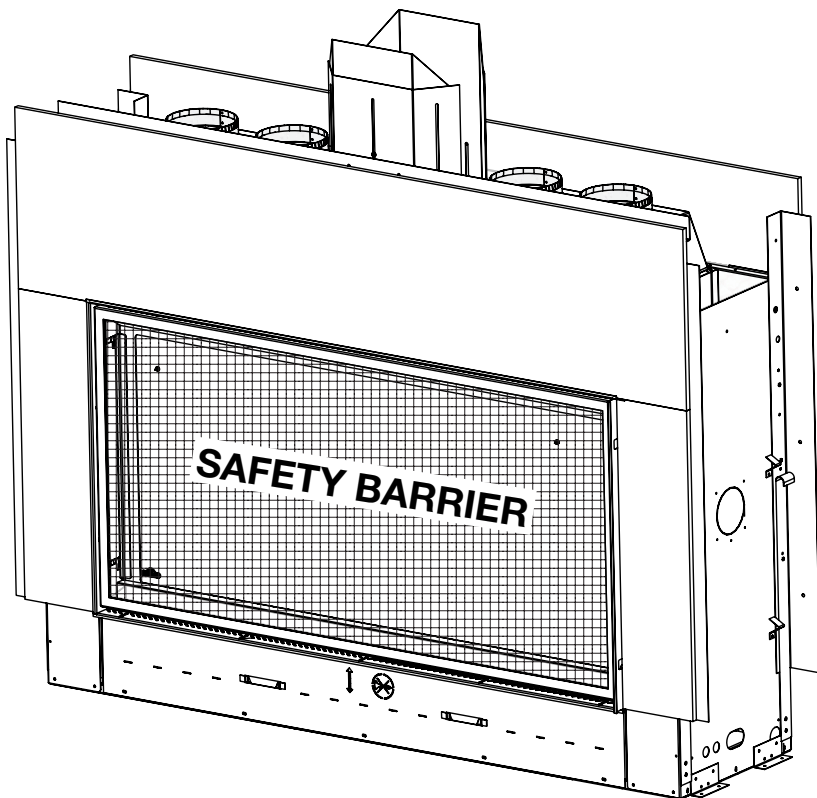
Failure to follow safety warnings exactly could result in serious injury, death, or property damage.

- Do not store or use gasoline or other flammable vapours and liquids in the vicinity of this or any other appliance.

- WHAT TO DO IF YOU SMELL GAS:

- Do not try to light any appliance.
- Do not touch any electrical switch; do not use any phone in your building.
- Immediately call your gas supplier from a neighbour's phone. Follow the gas supplier's instructions.
- If you cannot reach your gas supplier, call the fire department.

- Installation and service must be performed by a qualified installer, service agency, or the supplier.



THIS APPLIANCE IS SUITABLE FOR THE OPTIONAL DYNAMIC HEAT CONTROL™ / DUCTED HEAT MANAGEMENT™ SYSTEM (See Dynamic Heat Control™ / Ducted Heat Management™ installation manual)



FOR INDOOR USE ONLY

CERTIFIED TO THE CANADIAN AND AMERICAN NATIONAL STANDARDS: CSA 2.22 AND ANSI Z21.50 FOR VENTED DECORATIVE GAS APPLIANCES

This appliance may be installed in an aftermarket, permanently located, manufactured home (USA only) or mobile home, where not prohibited by local codes.

This appliance is only for use with the type of gas indicated on the rating plate. This appliance is not convertible for use with other gases, unless a certified kit is used.

INSTALLER:

Leave this manual with the appliance

CONSUMER:

Retain this manual for future reference



PLACE SERIAL NUMBER LABEL ON THE OWNER'S MANUAL

Wolf Steel Ltd., 24 Napoleon Rd., Barrie, ON, L4M 0G8 Canada / 103 Miller Drive, Crittenden, Kentucky, USA, 41030
Phone 1 (866) 820-8686 • www.napoleon.com • hearth@napoleon.com

! WARNING

- **This appliance is hot when operated and can cause severe burns if contacted.**
- **Any changes or alterations to this appliance or its controls can be dangerous and is prohibited.**
- Do not operate appliance before reading and understanding operating instructions. Failure to operate appliance according to operating instructions could cause fire or injury.
- Ensure the glass door is opened or removed when lighting the pilot for the first time and when the gas supply has run out.
- Risk of fire or asphyxiation, do not operate appliance with fixed glass removed and never obstruct the front opening of the appliance.
- Do not connect 110 volts to the control valve, with the exception of models; GSST8 and GT8.
- Risk of burns. The appliance should be turned off and cooled before servicing.
- Do not install damaged, incomplete or substitute components.
- Risk of cuts and abrasions. Wear protective gloves, protective footwear, and safety glasses during installation. Sheet metal edges may be sharp.
- Do not burn wood or other materials in this appliance.
- Provide adequate ventilation and combustion air. Provide adequate accessibility clearance for servicing and operating the appliance.
- High pressure will damage valve. Disconnect gas supply piping before pressure testing gas line at test pressures above 1/2 psig. Close the manual shut-off valve before pressure testing gas line at test pressures equal to or less than 1/2 psig (35mb).
- The appliance must not be operated at temperatures below freezing (32°F / 0°C). Allow the appliance to warm to above freezing prior to operation, with the exception of models; GSS36, GSS42, RSS36, and RSS42; these appliances are suitable for 0°F / -18°C.
- **Children and adults should be alerted to hazards of high surface temperature and should stay away to avoid burns or clothing ignition.**
- **Young children should be carefully supervised when they are in the same room as the appliance. Toddlers, young children and others may be susceptible to accidental contact burns. A physical barrier is recommended if there are at risk individuals in the house. To restrict access to an appliance or stove, install an adjustable safety gate to keep toddlers, young children and other at risk individuals out of the room and away from hot surfaces.**
- **Clothing or other flammable material should not be placed on or near the appliance.**
- **Due to high temperatures, the appliance should be located out of traffic and away from furniture and draperies.**
- Furniture or other objects must be kept a minimum of 4 feet (1.22m) away from the front of the appliance.
- Ensure you have incorporated adequate safety measures to protect infants/toddlers from touching hot surfaces.
- Even after the appliance is off, it will remain hot for an extended period of time.
- Check with your local hearth specialty dealer for safety screens and hearth guards to protect children from hot surfaces. These screens and guards must be fastened to the floor.
- **Any safety screen, guard or barrier removed for servicing the appliance, must be replaced prior to operating the appliance.**
- It is imperative that the control compartments, burners and circulating blower and its passageway in the appliance and venting system are kept clean. The appliance and its venting system should be inspected before use and at least annually by a qualified service person. More frequent cleaning may be required due to excessive lint from carpeting, bedding material, etc. The appliance area must be kept clear and free from combustible materials, gasoline and other flammable vapours and liquids.
- If the appliance shuts off, do not re-light until you provide fresh air. If appliance keeps shutting off, have it serviced. Keep burner and control compartment clean.
- Under no circumstances should this appliance be modified.
- Do not allow wind or fans to blow directly into the appliance. Avoid any drafts that alter burner flame patterns.

DANGER

HOT GLASS WILL CAUSE BURNS.

DO NOT TOUCH GLASS UNTIL COOLED.

NEVER ALLOW CHILDREN TO TOUCH GLASS.

A barrier designed to reduce the risk of burns from the hot viewing glass is provided with this appliance and must be installed for the protection of children and other at-risk individuals.

! WARNING

- Do not use a blower insert, heat exchanger insert or other accessory not approved for use with this appliance.
- This appliance must not be connected to a chimney flue pipe serving a separate solid fuel burning appliance.
- Do not use this appliance if any part has been under water. Immediately call a qualified service technician to inspect the appliance and to replace any part of the control system and any gas control which has been under water.
- Do not operate the appliance with the glass door (if equipped) removed, cracked or broken. Replacement of the glass should be done by a licensed or qualified service person.
- Do not strike or slam shut the appliance glass door, if equipped.
- **Only doors / optional fronts certified with the appliance are to be installed on the appliance.**
- Keep the packaging material out of reach of children and dispose of the material in a safe manner. As with all plastic bags, these are not toys and should be kept away from children and infants.
- Carbon or soot should not occur in a vent free appliance as it can distribute into the living area of your home. If you notice any signs of carbon or soot, immediately turn off your appliance and arrange to have it serviced by a qualified technician before operating it again.
- If equipped, the screen must be in place (closed) when the appliance is in operation.
- When equipped with pressure relief doors, they must be kept closed while the appliance is operating to prevent exhaust fumes containing carbon monoxide, from entering into the home. Temperatures of the exhaust escaping through these openings can also cause the surrounding combustible materials to overheat and catch fire.
- Carbon monoxide poisoning may lead to death; early signs of carbon monoxide poisoning resemble the flu, with headache, dizziness and/or nausea. If you have these signs, the appliance may not be working properly. Get fresh air at once! Have appliance serviced. Some people; pregnant women, persons with heart or lung disease, anemia, those under the influence of alcohol, those at high altitudes are more affected by carbon monoxide than others. Failure to keep the primary air opening(s) of the burner(s) clean may result in sooting and property damage.
- As with any combustion appliance, we recommend having your appliance regularly inspected and serviced as well as having a Carbon Monoxide Detector installed in the same area to defend you and your family against Carbon Monoxide (not applicable for outdoor appliances).
- Ensure clearances to combustibles are maintained when building a mantel or shelves above the appliance. Elevated temperatures on the wall or in the air above the appliance can cause melting, discolouration or damage to decorations, a TV or other electronic components.
- **For appliances equipped with a safety barrier; if the barrier becomes damaged, the barrier shall be replaced with the manufacturer's barrier for this appliance.**
- **Installation and repair should be done by a qualified service person. It is imperative that control compartments, burners and circulating air passageways of the appliance be kept clean.**
- For outdoor products only: this appliance must not be installed indoors or within any structure that prevents or inhibits the exhaust gases from dissipating in the outside atmosphere.
- If applicable, the millivolt version of this appliance uses and requires a fast acting thermocouple. Replace only with a fast acting thermocouple supplied by Wolf Steel Ltd.

! WARNING: This product can expose you to chemicals including lead and lead compounds, which are known to the State of California to cause cancer, and chemicals including carbon monoxide, which are known to the State of California to cause birth defects or other reproductive harm. For more information, go to www.P65Warnings.ca.gov.

WARNING

FIRE RISK HAZARD / DELAYED IGNITION

High supply pressure will damage the valve / controls.

Disconnect the appliance main gas valve/control from the supply piping when pressure testing that system at pressures in excess of 1/2 psi (3.5 kPa).

Isolate the appliance with it's shut off valve during any pressure testing of the supply piping at pressures equal to or less than 1/2 psi (3.5 kPa).

table of contents

1.0	general information	5	7.0	gas installation	45
1.1	rates and efficiencies	6	8.0	operation	46
1.2	installation checklist	7	8.1	pilot-on-demand	47
1.3	installation overview	8	9.0	nailing tab installation	48
1.4	rating plate/lighting instruction location	10	10.0	finish framing - after appliance installation	49
1.5	mobile home installation	11	10.1	framing with non-combustibles	49
1.6	hardware list	11	11.0	finishing	48
1.7	lifting handles installation/removal	11	11.1	fastener placement restriction	49
2.0	dimensions	12	11.2	finishing with non-combustibles	53
2.1	single-sided	12	11.3	installing non-combustible board	55
2.2	see-through	13	11.4	minimum combustible mantel clearances	56
3.0	minimum venting requirements	14	11.5	TV mounting restrictions (without DHC™)	57
3.1	typical venting installation	16	11.6	safety barrier installation / removal	58
3.2	minimum air terminal location clearances	18	11.7	firebox glass door installation / removal	58
3.3	horizontal termination (natural gas)	19	11.8	media installation / removal	60
3.4	vertical termination (natural gas)	22	11.9	adjusting the finishing trim	61
3.5	horizontal termination (propane)	23	12.0	adjustments	62
3.6	vertical termination (propane)	26	12.1	restricting vertical vents	62
4.0	rough framing - before appliance installation	27	12.2	venturi adjustment	62
4.1	minimum framing dimensions	28	12.3	pilot burner adjustment	63
4.1.1	minimum clearance to combustible enclosures	29	12.4	flame characteristics	63
4.2	front frame installation	32	13.0	maintenance	64
5.0	venting installation	32	13.1	annual maintenance	65
5.1	firestop spacer assembly	33	13.2	control access	65
5.2	horizontal installation	34	13.3	burner removal	66
5.3	vertical installation	35	13.4	valve removal	66
5.4	using flexible vent components	36	13.5	control module removal	67
5.4.1	horizontal air terminal installation	36	13.6	LED replacement	68
5.4.2	vertical air terminal installation	37	13.7	glass / door replacement	69
5.4.3	appliance vent connection	37	13.8	care of glass	69
5.5	restricting vertical vents	38	13.9	care of plated parts	69
5.5.1	TLV50 / TLV50_2	38	14.0	replacement parts	70
5.5.2	TLV62 / TLV62_2 / TLV74 / TLV74_2	38	14.1	overview	71
5.6	vent shield installation	39	14.2	burner components	72
6.0	electrical information	40	15.0	troubleshooting	74
6.1	hard wiring connection	40	16.0	warranty	77
6.2	receptacle wiring diagram	40			
6.3	in the event of a power failure	40			
6.4	battery holder/switch installation	41			
6.5	initializing the battery holder/switch for the first time	41			
6.6	access panel	42			
6.7	wiring	42			
6.8	eFIRE application controller	42			
6.8.1	TLV50 / TLV50_2 wiring diagram	43			
6.8.2	TLV62 / TLV62_2 / TLV74 / TLV74_2 wiring diagram	44			

note:

The information throughout this manual is believed to be correct at the time of printing. Wolf Steel Ltd. reserves the right to change or modify any information within this manual at any time without notice. Changes, other than editorial are denoted by a vertical line in the margin.

Installer: please fill out appliance checklist in the owner's manual.

1.0 general information

When the appliance is installed at elevations above 4,500ft (1372m), and in the absence of specific recommendations from the local authority having jurisdiction, the certified high altitude input rating shall be reduced at the rate of 4% for each additional 1,000ft (305m). Expansion / contraction noises during heating up and cooling down cycles are normal and are to be expected. Change in flame appearance from "HI" to "LO" is more evident in natural gas than in propane.

This appliance is approved for bathroom, bedroom and bed-sitting room installations and is certified for mobile home installation.

This appliance is only for use with the type of gas indicated on the rating plate. This appliance is not convertible for use with other gases, unless a certified kit is used.

There is a switch that controls the function of the appliance. The battery holder/switch must be placed in the middle position. If the switch is not placed in the middle position, the appliance will not work.

note:

A barrier designed to reduce the risk of burns is provided with the appliance and must be installed. Never operate the appliance without the barrier installed.

The protective wrap on plated parts is best removed when the assembly is at room temperature but this can be improved if the assembly is warmed, using a hair dryer or similar heat source. The protective wrap must be removed before operating the appliance.

This appliance is a decorative product. It is not a source of heat and not intended to burn solid fuel.

This appliance is equipped with a remote control and a wall switch, which requires batteries to be installed. The remote takes 3 "AAA" batteries and the wall switch takes 4 "AA" batteries.



Batteries must be disposed of according to the local laws and regulations. Some batteries may be recycled, and may be accepted for disposal at your local recycling center. Check with your municipality for recycling instructions.

This appliance is suitable for use with Napoleon's optional Ducted Heat Management™ & Ducted Heat Management™ Plus systems. THIS MANUAL **DOES NOT** include detailed information relating to these optional systems. Framing and finishing are **NOT** the same. For further details, refer to the Ducted Heat Management™ installation manual provided with the kit before starting installation.

general information

1.1 rates and efficiencies

TLV50 / TLV50_2		
Appliance Type	TLV50N	TLV50P
Fuel Type	Natural Gas	Propane
Altitude (FT)	0-4,500	
Max. Input (BTU/HR)	36,000	31,500
Min. Input (BTU/HR)	23,000	25,000

TLV62 / TLV62_2		
Appliance Type	TLV62N	TLV62P
Fuel Type	Natural Gas	Propane
Altitude (FT)	0-4,500	
Max. Input (BTU/HR)	44,000	38,000
Min. Input (BTU/HR)	29,000	31,000

TLV74 / TLV74_2		
Appliance Type	TLV74N	TLV74P
Fuel Type	Natural Gas	Propane
Altitude (FT)	0-4,500	
Max. Input (BTU/HR)	48,000	41,500
Min. Input (BTU/HR)	31,000	33,000

TLV50 / TLV62 / TLV74 / TLV50_2 / TLV62_2 / TLV74_2

	Natural Gas	Propane
Min. Inlet Gas Supply Pressure	4.5" w.c. (11mb)	11" w.c. (27mb)
Max. Inlet Gas Supply Pressure	7"* w.c. (17mb)	13" w.c. (32mb).
Manifold Pressure (Under Flow Conditions)	3.5" w.c. (9mb)	10" w.c. (25mb)

*Maximum inlet pressure not to exceed 13" w.c. (32mb).

1.2 installation checklist

GAS FIREPLACE INSTALLATION CHECKLIST

Customer: _____
 Address: _____
 Model: _____
 Serial #: _____

Date Installed: _____
 Installer: _____
 Dealer: _____
 Dealer Phone #: _____

This checklist is a reference tool only. It is not intended as a substitute for the installation instructions.

Fireplace Installation

- | | YES | <u>IF NOT, PLEASE EXPLAIN WHY?</u> |
|---|--------------------------|---|
| Is the fireplace level and secured? | <input type="checkbox"/> | _____ |
| Are the factory supplied non-combustible materials installed? | <input type="checkbox"/> | _____ |
| Is the exterior wall insulated and dry-walled? | <input type="checkbox"/> | _____ |
| Are the clearances to combustibles maintained? | <input type="checkbox"/> | _____ |
| Are the logs/media installed as instructed? | <input type="checkbox"/> | _____ |
| Are the accessories installed as instructed? | <input type="checkbox"/> | _____ |
| Is the glass door properly sealed and unobstructed? | <input type="checkbox"/> | _____ |
| Is the safety barrier installed and secure? | <input type="checkbox"/> | _____ |
| Are all required accessories installed (i.e. door trims)? | <input type="checkbox"/> | _____ |

Venting Installation

- | | | |
|---|--------------------------|-------|
| Is the venting configuration within the parameters? | <input type="checkbox"/> | _____ |
| Has the venting been sealed with the appropriate sealant? | <input type="checkbox"/> | _____ |
| Is the venting supported and secured? | <input type="checkbox"/> | _____ |
| Are all clearances to combustibles maintained? | <input type="checkbox"/> | _____ |
| Are the appropriate firestops and shields properly installed? | <input type="checkbox"/> | _____ |
| Is the terminal, level, secured and sealed? | <input type="checkbox"/> | _____ |

Gas and Electrical

- | | | |
|--|--------------------------|-------|
| Was the fireplace converted to propane?
If yes, does the fireplace have a power vent? | <input type="checkbox"/> | _____ |
| Was the appropriate supply pressure verified? | <input type="checkbox"/> | _____ |
| Were all gas connections leak tested? | <input type="checkbox"/> | _____ |
| Is the 110 VAC supply connection to the fireplace compliant? | <input type="checkbox"/> | _____ |
| Are all electrical wires protected from damage? | <input type="checkbox"/> | _____ |

Finishing

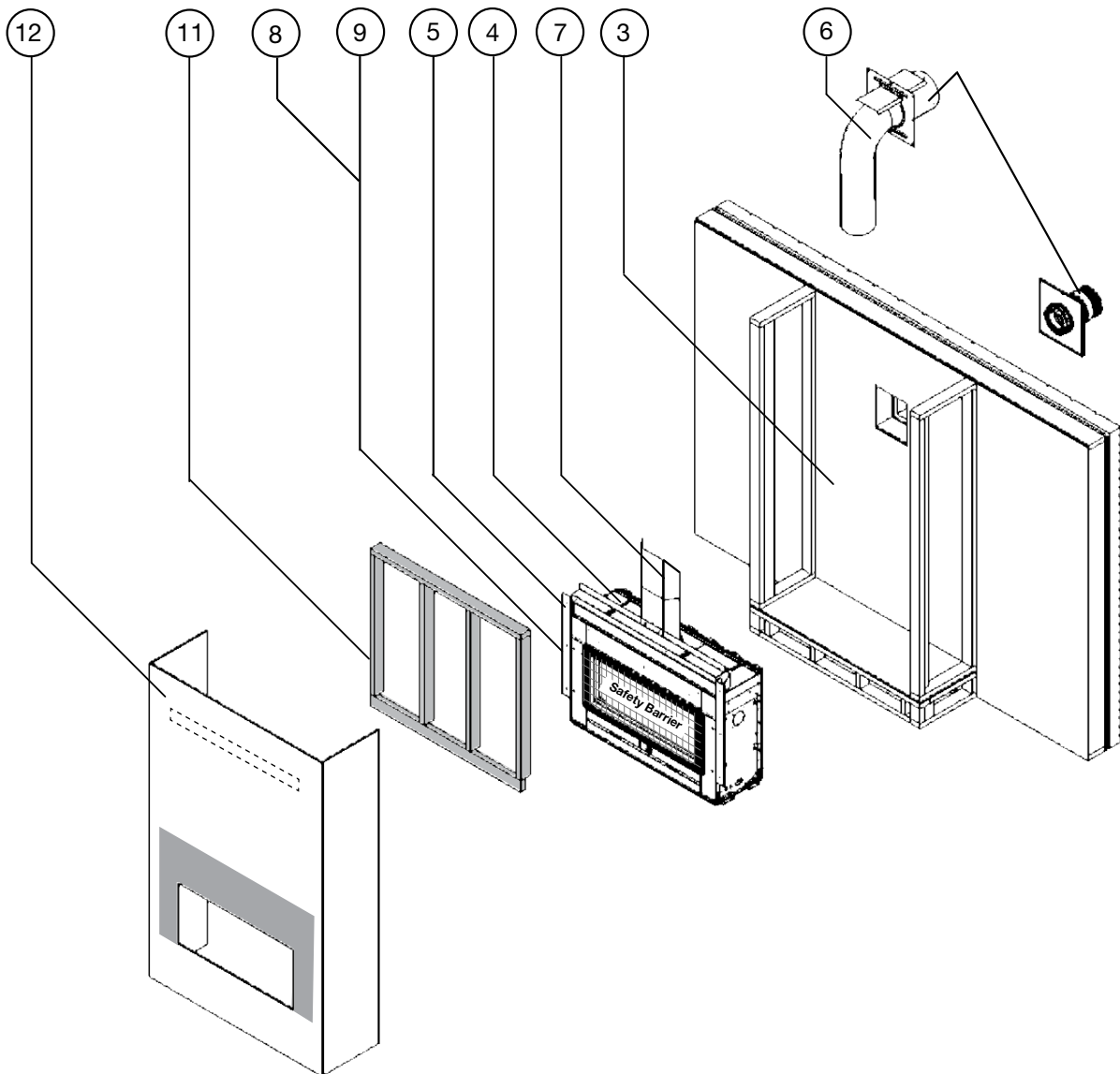
- | | | |
|---|--------------------------|-------|
| Non-combustible materials used as per instructions? | <input type="checkbox"/> | _____ |
| Enclosure instructions forwarded to builder/finisher? | <input type="checkbox"/> | _____ |
| Minimum enclosure dimensions compliant? | <input type="checkbox"/> | _____ |
| Combustible Mantel Clearances compliant? | <input type="checkbox"/> | _____ |

Commissioning

- | | | |
|--|--------------------------|-------|
| Was the fireplace test fired and all operation verified? | <input type="checkbox"/> | _____ |
| Safety and lighting instructions reviewed with the Customer? | <input type="checkbox"/> | _____ |
| Operating Instruction Manual left with the Customer? | <input type="checkbox"/> | _____ |

Wolf Steel Ltd. recommends photographs of the various stages of construction be filed along with a copy of this completed form.

1.3 installation overview

**Recommended installation steps:**

1. Determine venting requirements before deciding the final location of the appliance.
2. **Plan out appliance enclosure, framing, fronts, accessories, etc.**
3. Install rough framing (refer to “rough framing” section).
4. Place the appliance in its final position.
5. Install nailing tabs (refer to “nailing tab installation” section).
6. Install appliance venting (refer to “venting installation” section).
7. Install vent shield (refer to “vent shield installation” section).
8. Install all electrical wirings (refer to “electrical information” section).
9. Install gas lines (refer to “gas installation” section).
10. Test appliance.
11. Complete framing (refer to “finish framing” section).
12. Finishing (refer to “finishing” section).
13. Complete installation checklist in the owner’s manual and apply serial number to owner’s manual.

note:

For Dynamic Heat Control™/Ducted Heat Management™ installation steps, refer to the leaflet provided with the Dynamic Heat Control™/Ducted Heat Management™ kit. Start Dynamic Heat Control™/Ducted Heat Management™ installation before step 3 (place the appliance in its final position)

! WARNING

- Always light the pilot whether for the first time or if the gas supply has run out, with the glass door opened or removed.
- Provide adequate clearance for servicing and operating the appliance.
- Provide adequate ventilation.
- Never obstruct the front opening of the appliance.
- Objects placed in front of the appliance must be kept a minimum of 48" (121.9cm) from the front face of the appliance.
- Surfaces around and especially above the appliance can become hot. Avoid contact when appliance is operating.
- Fire risk. Explosion hazard.
- High pressure will damage valve. Disconnect gas supply piping before pressure testing gas line at test pressures above 1/2 PSIG. Close the manual shut-off valve before pressure testing gas line at test pressures equal to or less than 1/2 PSIG (35mb).
- Use only Wolf Steel approved optional accessories and replacement parts with this appliance using non-listed accessories (blowers, doors, louvres, trims, gas components, venting components, etc.) could result in a safety hazard and will void the warranty and certification.
- The appliance must not be operated at temperatures below freezing (32°F / 0°C). Allow the appliance to warm, to above freezing prior to operation.
- This appliance has been designed and certified for indoor use only.

THIS GAS APPLIANCE MUST BE INSTALLED AND SERVICED BY A QUALIFIED INSTALLER to conform with local codes. Installation practices vary from region to region and it is important to know the specifics that apply to your area, for example in the state of Massachusetts:

- This product must be installed by a licensed plumber or gas fitter when installed within the commonwealth of Massachusetts.
- The appliance damper must be removed or welded in the open position prior to installation of an appliance insert or gas log.
- The appliance off valve must be a "T" handle gas cock.
- The flexible connector must not be longer than 36 inches (0.9m).
- A carbon monoxide detector is required in all rooms containing gas fired appliances.
- The appliance is not approved for installation in a bedroom or bathroom unless the unit is a direct vent sealed combustion product.

The installation must conform with local codes or, in absence of local codes, the National Gas and Propane Installation Code CSA B149.1 in Canada, or the National Fuel Gas Code, ANSI Z223.1 / NFPA 54 in the United States. Suitable for mobile home installation if installed in accordance with the current standard CAN/CSA Z240MH Series, for gas equipped mobile homes, in Canada or ANSI Z223.1 and NFPA 54 in the United States.

The appliance and its individual shutoff valve must be disconnected from the gas supply piping system during any pressure testing of that system at test pressures in excess of 1/2 psig (35 mb).

The appliance must be isolated from the gas supply piping system by closing its individual manual shutoff valve during any pressure testing of the gas supply piping system at test pressures equal to or less than 1/2 psig (35 mb). When installed with a blower or fan, the junction box must be electrically connected and grounded in accordance with local codes. In the absence of local codes, use the current CSA C22.1 Canadian Electrical Code in Canada or the ANSI / NFPA 70 National Electric Code in the United States. In the case where the blower is equipped with a power cord, it must be connected into a properly grounded receptacle. The grounding prong must not be removed from the cord plug.

The following does not apply to inserts; as long as the required clearance to combustibles is maintained, the most desirable and beneficial location for an appliance is in the center of a building, thereby allowing the most efficient use of the heat created. The location of windows, doors and, the traffic flow in the room where the appliance is to be located should be considered. If possible, you should choose a location where the vent will pass through the house without cutting a floor or roof joist. If the appliance is installed directly on carpeting, vinyl tile or other combustible material other than wood flooring, the appliance shall be installed on a metal or wood panel extending the full width and depth, unless otherwise tested.

**NATIONAL
FIREPLACE
INSTITUTE**



CERTIFIED

www.nficertified.org

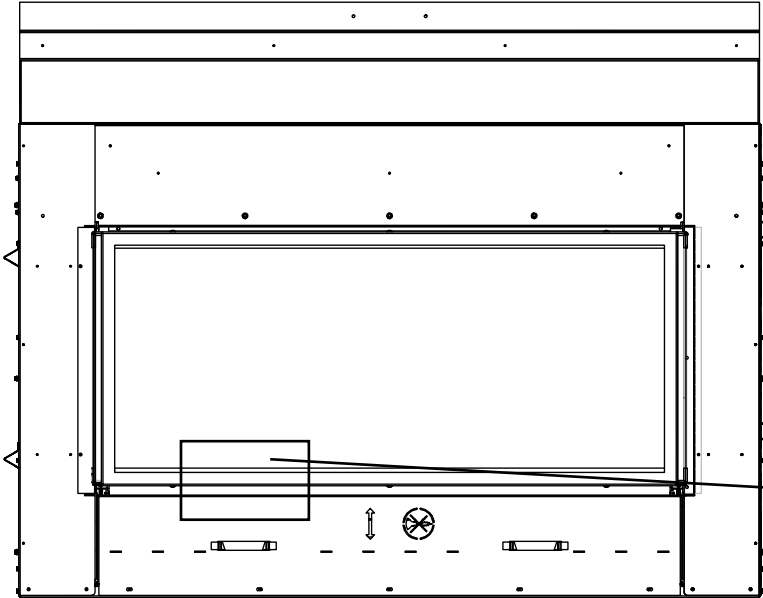
We suggest that our gas hearth products be installed and serviced by professionals who are certified in the U.S. by the National Fireplace Institute® (NFI) as NFI Gas Specialists

general information

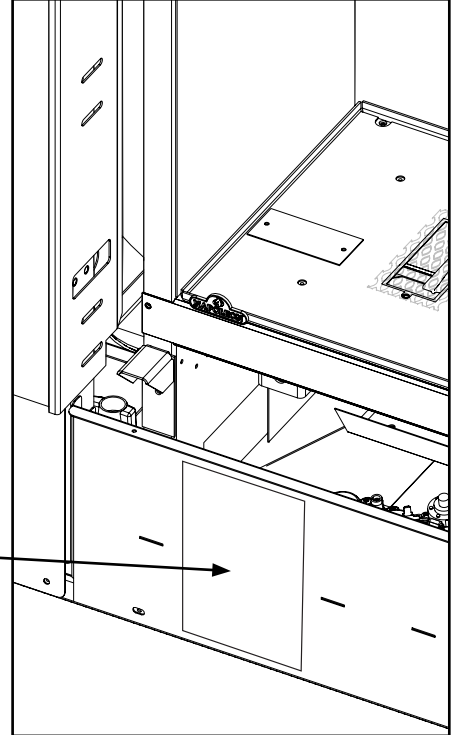
1.4 rating plate/lighting instruction location

Both the rating plate and lighting instructions are attached to a chain located on the left side of the control area near the valve (access side). Remove the safety barrier and the control cover to gain access to the control area, refer to the "safety barrier installation / removal" section for detailed removal instructions.

To replace, slide the instructions back into the control area and reinstall the safety barrier assembly.



Rating plate location



Certified to Canadian and American National Standards: **CSA 2.22-XXXX / ANSI Z21.50-XXXX for Vented Decorative Gas Appliances**
 Certifié selon les normes Nationales Canadiennes et Américaines: **CSA 2.22-XXXX / ANSI Z21.50-XXXX pour les Appareils à gaz décoratif à évacuation**

Direct vent, vented gas fireplaces. Approved for bedroom, bathroom and bed-sitting room installation. Suitable for mobile home installation, if installed in accordance with the current standard CAN / CSA Z240MH Series gas equipped mobile homes in Canada, or, in the United States, the *Manufactured Home Construction and Safety Standard, Title 24 CFR, Part 3280*. When this US Standard is not applicable, use the *Standard for Fire Safety Criteria for Manufactured Home Installations, Sites and Communities, ANSI / NFPA 501A*. This appliance must be installed in accordance with local codes, if any; if none, follow the current ANSI Z223.1 or CSA B149. **For use with barrier WXXX-XXXX. Follow installation instructions.**
 Foyer à gaz ventilé. Homologué pour installation dans une chambre à coucher, une salle de bain et un studio. Approuvé pour installation dans une maison mobile si son installation conforme aux exigences de la norme CAN / CSA Z240MH Série de maisons mobile équipées au gaz en vigueur au Canada, ou, aux États-Unis selon la norme 24 CFR, Part 3280. *Manufactured Home Construction and Safety Standard*. Dans le cas où cette norme d'États-Unis n'est pas pertinente, utiliser la norme NFPA 501A, *Fire Safety Criteria for Manufactured Home Installations, Sites and Communities*. Installer l'appareil selon les codes ou règlements locaux ou, en l'absence de tels règlements, selon les codes d'installation ANSI Z223.1 ou CSA B149 en vigueur. **Utiliser uniquement avec l'écran WXXX-XXXX. Suivre les instructions d'installation.**

SA US Energy Verified
REFERENCE# 161746

9700539 (WSL) 4001658 (NAC) 4001657 (NGZ) 4001659 (WUSA)

MODEL / MODÈLE
 XXXX XXXX XXXX XXXX
 XXXX XXXX XXXX XXXX

Altitude 0-XXXXft (0-XXXXm) Élévation
 Input XXXX Alimentation
 Reduced Input XX,XXX Alimentation Réduite
 P4 XX,XXX P4
 XX,X%

Manifold Pressure: 3.5" w.c. (NG) **Manifold Pressure:** 10" w.c. (P)
Minimum Supply Pressure: 4.5" w.c. (NG) **Minimum Supply Pressure:** 11" w.c. (P)
Maximum Supply Pressure: 7" w.c. (NG) **Maximum Supply Pressure:** 13" w.c. (P)

Pression au Collecteur: 3.5" d'une colonne d'eau (GN) **Pression au Collecteur:** 10" d'une colonne d'eau (P)
Pression d'Alimentation Min: 4.5" d'une colonne d'eau (GN) **Pression d'Alimentation Min:** 11" d'une colonne d'eau (P)
Pression d'Alimentation Max: 7" d'une colonne d'eau (GN) **Pression d'Alimentation Max:** 13" d'une colonne d'eau (P)
 ** Maximum inlet pressure not to exceed 13". ** Pression d'alimentation maximale ne doit pas dépasser 13".

Dégagements minimaux des matériaux combustibles:
 Dessus, côtés et arrières selon les espaces de dégagements pour les matériaux de ossature selon le manuel du propriétaire pour les matériaux de finition.
 Dessus X"
 Plancher X"
 Côtés X"
 Arrière X"
 Dessus du conduit d'évent X"
 Côtés et dessous du conduit d'évent X"
 Profondeur d'encastrement une face X"
 *** Tablette X" de l'ouverture de l'appareil
 *** L'extension horizontale maximale: X"
 *** L'extension horizontale maximale: X"
 X" See installation manual for greater extensions, minimum vent lengths and maximum vent lengths.
 Référez au manuel d'installation pour des extensions plus grandes, les longueurs d'évacuation minimales et maximum.
 Electrical rating: 115V, 60Hz. Less than 12 ampere. Spécifications électriques: 115V, 60Hz. Moins de 12 ampère.

VENTED DECORATIVE GAS APPLIANCE: NOT A SOURCE OF HEAT, NOT INTENDED FOR USE AS A HEATING APPLIANCE, NOT FOR USE WITH SOLID FUEL.
APPAREIL À GAZ DÉCORATIF À ÉVACUATION: N'EST PAS UNE SOURCE DE CHALEUR; N'EST PAS DESTINÉ À ÊTRE UTILISÉ COMME UN APPAREIL DE CHAUFFAGE; NE CONVIENT PAS AUX COMBUSTIBLES SOLIDES.

FOR USE WITH GLASS DOORS CERTIFIED WITH THIS APPLIANCE ONLY.
POUR UTILISATION UNIQUEMENT AVEC LES PORTES EN VERRE CERTIFIÉES AVEC L'APPAREIL.

For natural gas when equipped with No. XX drill size orifice.
 For propane when equipped with No. XX drill size orifice.
 Convient au gaz naturel quand l'appareil est muni d'un injecteur de diamètre no. XX.
 Convient au propane quand l'appareil est muni d'un injecteur de diamètre no. XX.

WARNING: Do not add any material to the appliance which will come in contact with the flames, other than that supplied by the manufacturer with the appliance.
AVERTISSEMENT: N'ajoutez pas à cet appareil aucun matériau devant entrer en contact avec les flammes autre que celui qui est fourni avec cet appareil par le fabricant.

The appliance must be vented using the appropriate Napoleon vent kits. See installation manual for venting specifications. Proper reinstallation and resealing is necessary after servicing the vent-air intake system.
 L'appareil doit être ventilé à l'aide de l'ensemble d'évacuation propre à Napoleon. Référez au manuel d'installation pour les spécifications d'évacuation. Il est nécessaire de bien réinstaller et resceller l'évacuation après avoir exécuter l'entretien du système de prise d'air.

Serial Number / N° de Série: **XXXX** **W385-XXXX**

WOLF STEEL LTD. 24 Napoleon Road, Barrie, ON, L4M 0G8 Canada

This illustration is for reference only. Refer to the rating plate on the appliance for accurate information.

note:

The rating plate must remain with the appliance at all times. It must not be removed.

1.5 mobile home installation

This appliance must be installed in accordance with the manufacturer's instructions and the Manufactured Home Construction and Safety Standard, Title 24 CFR, Part 3280, in the United States or the Mobile Home Standard, CAN/CSA Z240 MH Series, in Canada. This appliance is only for use with the type(s) of gas indicated on the rating plate.

This mobile/manufactured home listed appliance comes factory equipped with a means to secure the appliance. The shipping brackets that secure the appliance to the pallet can be used to secure the appliance to the floor for mobile home installation. For mobile home installations, the appliance must be secured.

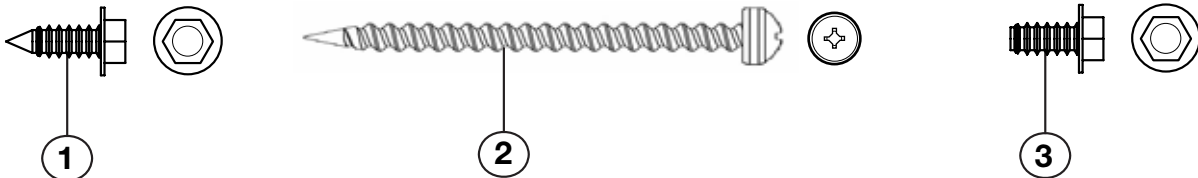
This appliance is certified to be installed in an aftermarket permanently located, manufactured (mobile) home, where not prohibited by local codes.

This appliance is only for use with the type of gas indicated on the rating plate. This appliance is not convertible for use with other gases, unless a certified kit is used.

Conversion Kits

This appliance is field convertible between Natural Gas (NG) and Propane (P). To convert from one gas to another, consult your Authorized dealer/distributor.

1.6 hardware list



	Description	Quantity
1	Hex Head Sheet Metal Screw	22
2	Round Head Sheet Metal Screw	4
3	Hex Head Sheet Metal Bolt	18

note:

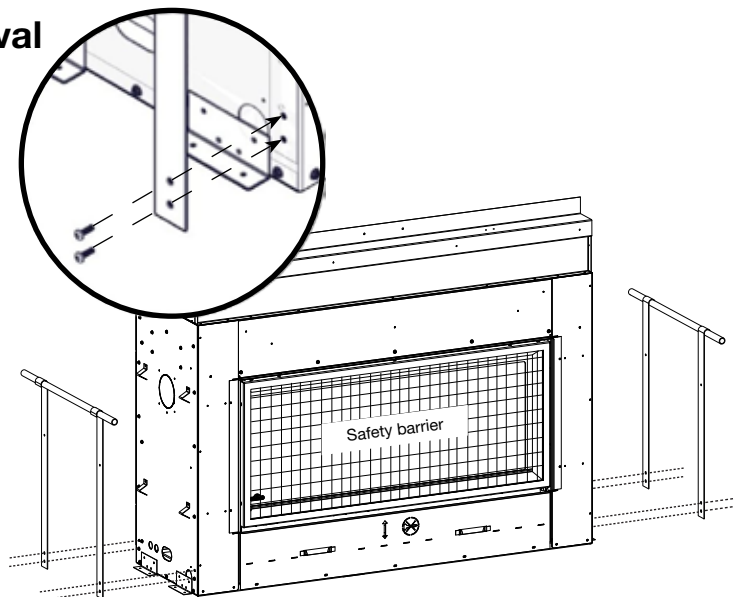
Only fasteners supplied with the appliance are illustrated.

1.7 lifting handles installation/removal

Remove 4 screws each side (8 total) then install the lifting handles to the side of the appliance and secure using 4 screws each side (8 total). Once the appliance is in place remove the four screws from each handle to the appliance. Discard the lifting handles.

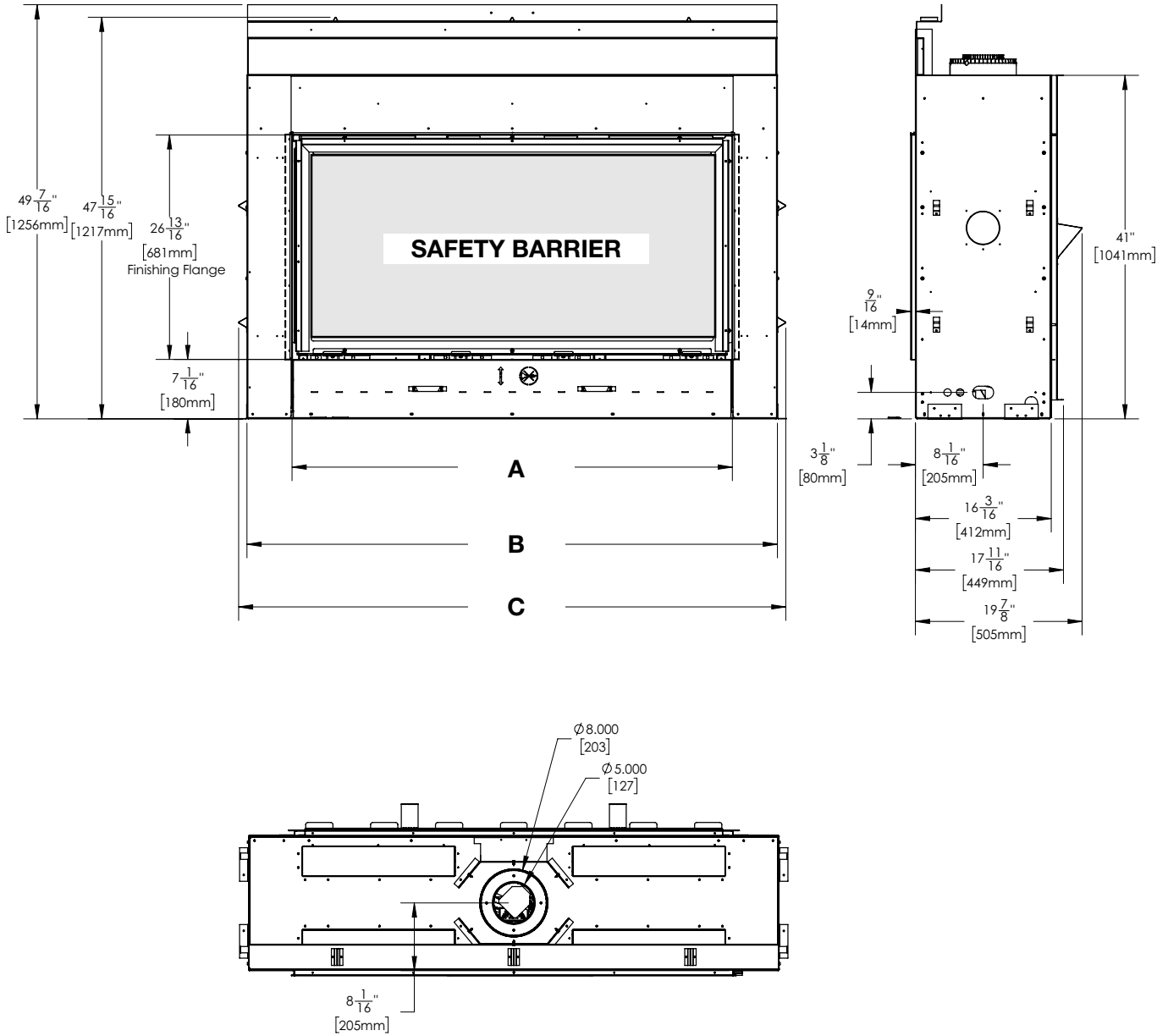
note:

The lifting handles **MUST** be removed prior to rough framing the appliance.



2.0 dimensions

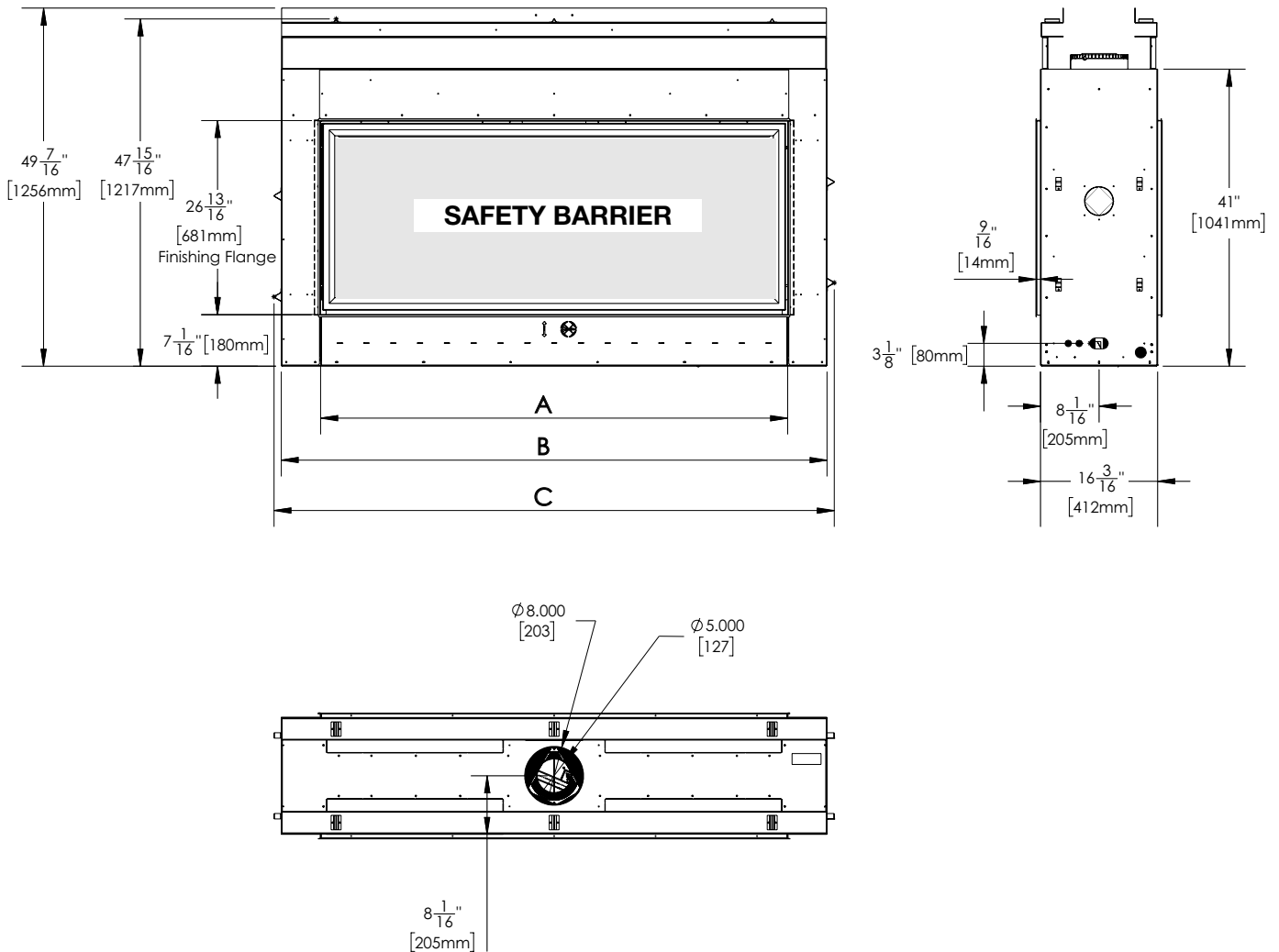
2.1 single-sided



	TLV50	TLV62	TLV74
A (Finishing Flange)	52 9/16" (1335mm)	64 9/16" (1639mm)	76 9/16" (1944mm)
B	63 5/16" (1608mm)	75 5/16" (1912mm)	87 5/16" (2217mm)
C	65 5/16" (1659mm)	77 5/16" (1963mm)	89 5/16" (2268mm)

*Finishing flange depth (the finishing flange defines the perimeter of the fireplace opening. Framing or finishing materials must NEVER encroach inside the finishing flange).

2.2 see-through



	TLV50_2	TLV62_2	TLV74_2
A (Finishing Flange)	52 9/16" (1335mm)	64 9/16" (1639mm)	76 9/16" (1944mm)
B	63 5/16" (1608mm)	75 5/16" (1912mm)	87 5/16" (2217mm)
C	65 5/16" (1659mm)	77 5/16" (1963mm)	89 5/16" (2268mm)

*Finishing flange depth (the finishing flange defines the perimeter of the fireplace opening. Framing or finishing materials must NEVER encroach inside the finishing flange).

3.0 minimum venting requirements

WARNING

- Risk of fire. Maintain specified air space clearances to vent pipe and appliance.
- The vent system must be supported every 3' (0.9m) for both vertical and horizontal runs. Use support ring assembly W010-0067 or equivalent non-combustible strapping to maintain the minimum clearance to combustibles for both vertical and horizontal runs. Spacers are attached to the inner pipe at predetermined intervals to maintain an even air gap to the outer pipe. This gap is required for safe operation. A spacer is required at the start, middle, and end of each elbow to ensure this gap is maintained. These spaces must not be removed.

This appliance uses a 5" (127mm) exhaust / 8" (203.2mm) air intake vent pipe system. Refer to the section applicable to your installation.

For safe and proper operation of the appliance follow the venting instructions exactly. Deviation from the minimum vertical vent length can create difficulty in burner start-up and/or carboning. Under extreme vent configurations, allow several minutes (5-15) for the flame to stabilize after ignition. Although not a requirement, it is recommended for vent lengths that pass through unheated spaces (attics, garages, crawl spaces) be insulated with the insulation wrapped in a protective sleeve to minimize condensation.

Provide a means for visually checking the vent connection to the appliance after the appliance is installed. Use a firestop, vent pipe shield or attic insulation shield when penetrating interior walls, floor or ceiling.

The vent terminal may be painted with high temperature paint to match exterior colours. Use an outdoor paint suitable for 400°F (200°C). Application and performance of paint is the consumer's responsibility. Spot testing is recommended. Appliance should be off.

note:

If for any reason the vent air intake system is disassembled; reinstall per the instructions provided for the initial installation.

This appliance must be installed with a continuous connection of exhaust and air intake vent pipes. Utilizing alternate constructions, such as a chimney as part of the vent system, is not permitted.

All vent measurements start at the base of the air collar of the appliance.

IMPORTANT: For ease of installation, the front frame can be removed. The front frame must be reinstalled prior to installing the nailing tabs.

Horizontal vent sections: A minimum clearance of 3" (76mm) on the top outside of the enclosure and 2" (51mm) on the sides and bottom outside of the enclosure all around the vent pipe on all horizontal runs to combustibles is required. Horizontal vent sections within enclosures require a minimum clearance of 6" (152mm) at the top of the vent pipe.

Vertical vent sections: A minimum of 1" (25mm) all around the vent pipe on all vertical runs to combustibles is required except for clearances in appliances enclosures. Vertical vent sections within enclosures require a minimum clearance of 1" (25mm) around the vent pipe.

Use only Wolf Steel, Metal-Fab, BDM, Simpson Dura-Vent, or Selkirk Direct Temp venting components. Minimum and maximum vent lengths, for both horizontal and vertical installations, clearances from vent pipes to combustibles and air terminal locations as set out in this manual apply to all vent systems and must be adhered to. For Metal-Fab, BDM, Simpson Dura-Vent, or Selkirk Direct Temp, follow the installation procedure provided with the venting components or on the website for your venting supplier.

A starter adaptor must be used with the following vent systems and may be purchased through Wolf Steel or from the corresponding supplier listed below:

Venting System	Manufacturer	Supplier	Website
SureSeal	Metal-Fab	Wolf Steel	www.mtlfab.com
Direct Vent Pro	Simpson DuraVent	Wolf Steel	www.duravent.com
Pro-Form	BDM	BDM	www.dalsinmfg.com
Direct Temp	Selkirk	Selkirk	www.selkirkcorp.com
Ventis	Olympia Chimney and Venting	Olympia Chimney and Venting	www.olympiachimney.com

Connections made by means of an adaptor at the appliance, as well as the connection at the vent terminal must be sealed. RTV sealant may be used on both the inner exhaust and outer intake vent pipe joints of all other approved vent systems, except for the exhaust vent pipe connection to the appliance flue collar which must be sealed using the black high temperature sealant Mill Pac.

For all vent systems is strongly recommend for all installations but required when power venting the appliance, that the outer air intake joints are sealed using either high temperature silicone (RTV) or a suitable aluminum tape that covers each joint in the vent system entirely around its circumference. This will ensure the best performance in every application and avoids performance or condensation concerns that may occur in “tightly” constructed homes, particularly those in cold climates.

When using Wolf Steel venting components, use only approved Wolf Steel rigid / flexible components with the following termination kits: wall terminal kit **GD422R-2** or **ST58U-1**, or 1/12 to 7/12 pitch roof terminal kit **GD410**, 8/12 to 12/12 roof terminal kit **GD411**, flat roof terminal kit **GD412** or periscope kit **GD401** (for wall penetration below grade). With flexible venting, in conjunction with the various terminations, use either the 5 foot (1.5m) vent kit **GD420** or the 10 foot (3.1m) vent kit **GD430**.

For optimum flame appearance and appliance performance, keep the vent length and number of elbows to a minimum.

The air terminal must remain unobstructed at all times. Examine the air terminal at least once a year to verify that it is unobstructed and undamaged.

Rigid and flexible venting systems must not be combined. Different venting manufacturer components must not be combined.

These vent kits allow for either horizontal or vertical venting of the appliance. The maximum allowable horizontal run is 20 feet (6.1m). The maximum allowable vertical vent length is 40 feet (12.2m). The maximum number of vent connections is two horizontally or three vertically (excluding the appliance and the air terminal connections) when using flexible venting.

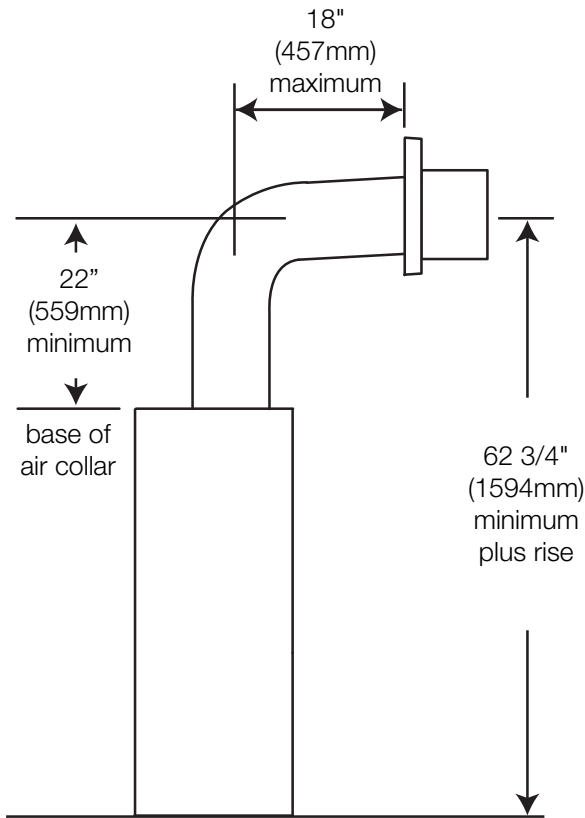
Horizontal runs may have a 0” (0mm) rise per foot/meter however for optimum performance it is recommended that all horizontal runs have a minimum 1/4” (21mm) rise per foot/meter using flexible venting. For safe and proper operation of the appliance, follow the venting instructions exactly.

A terminal shall not terminate directly above a sidewalk or paved driveway which is located between two single family dwellings and serves both dwellings. Local codes or regulations may require different clearances.

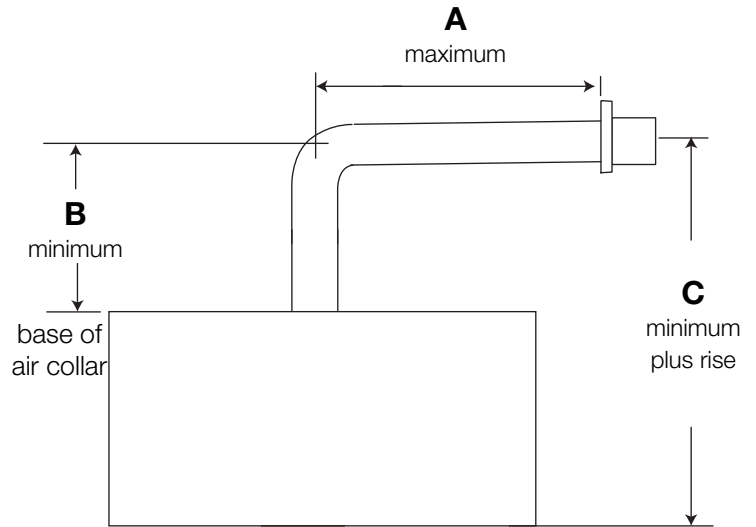
Do not allow the inside liner to bunch up on horizontal or vertical runs and elbows. Keep it pulled tight. A 1/4” (31.8mm) air gap all around between the inner liner and outer liner is required for safe operation.

minimum venting requirements

3.1 typical venting installation



SINGLE-SIDED

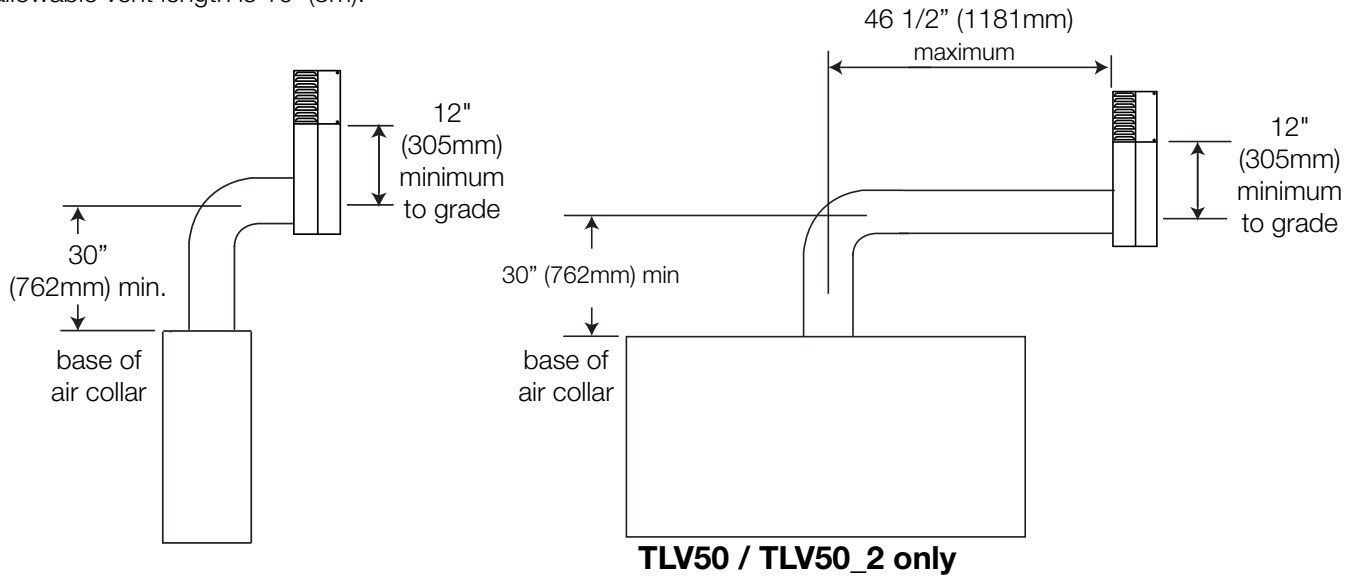


SEE-THROUGH

SEE-THROUGH			
	TLV50_2	TLV62_2	TLV74_2
A	46 1/2" (1181mm)	52 1/2" (1334mm)	58 1/2" (1486mm)
B	22" (559mm)	40" (1016mm)	50" (1270mm)
C	54 1/2" (1384mm)	72 1/2" (1842mm)	82 1/2" (2096mm)

special vent installation (periscope termination)

Use the periscope kit to locate the air termination above grade. The periscope must be installed so that when final grading is completed, the bottom air slot is located a minimum 12" (30.5cm) above grade. The maximum allowable vent length is 10' (3m).

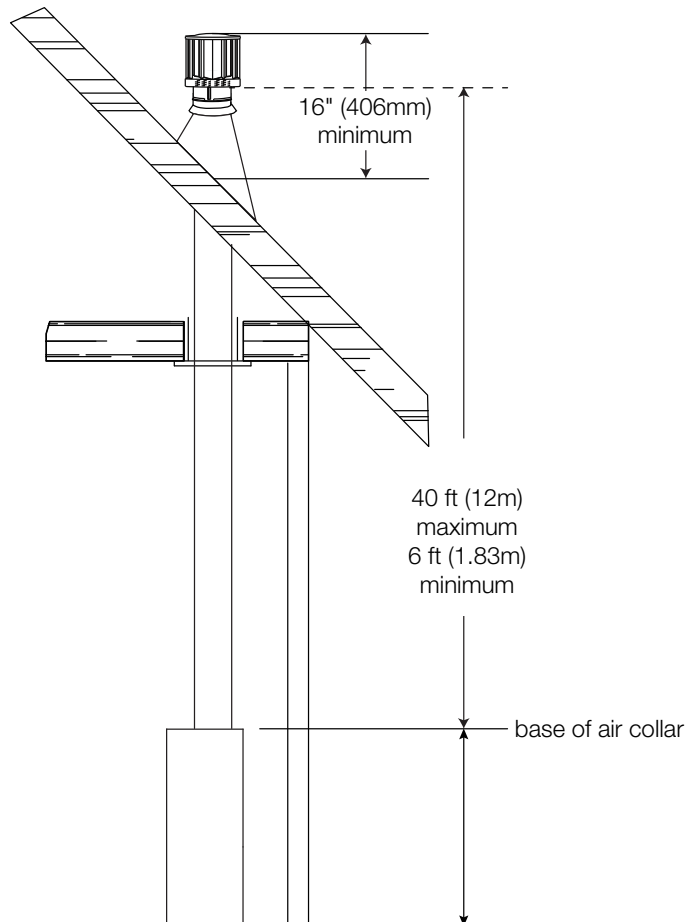


*For TLV62 / TLV62_2 / TLV74 / TLV74_2 models use the 30" x 18" periscope provided.

SINGLE-SIDED OR SEE-THROUGH

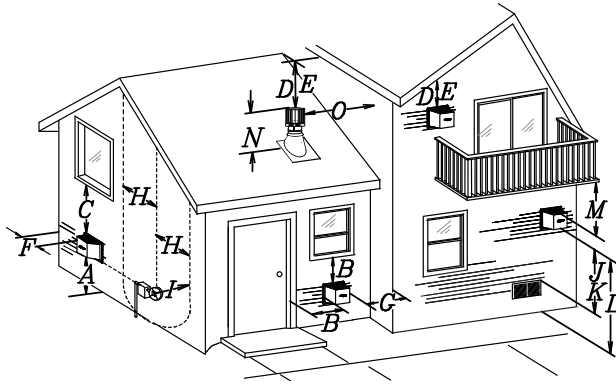
note:

A 6' (1.83m) minimum vertical rise is considered the minimum practical dimension for the specific appliance enclosure and a minimal building structure. However, a greater minimum vertical rise may be needed to suit the specific application constraints or local codes and/or regulatory requirements.

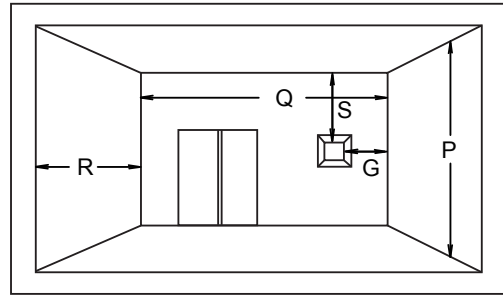


minimum venting requirements

3.2 minimum air terminal location clearances



Covered balcony applications ††*



$Q_{MIN} = 3 \text{ feet}$ (0.9m)	$R_{MAX} = 2 \times Q_{ACTUAL}$	$R_{MAX} \leq 15 \text{ feet}$ (4.6m)
--------------------------------------	---------------------------------	--

	INSTALLATIONS		note:
	CANADA	U.S.A.	
A	12" (30.5cm)	12" (30.5cm)	Clearance above grade, veranda porch, deck or balcony.
B	12" (30.5cm) ^Δ	9" (229mm) ^Δ	Clearance to windows or doors that open.
C	12" (30.5cm)*	12" (30.5cm)*	Clearance to permanently closed windows.
D	18" (45.7cm)**	18" (45.7cm)**	Vertical clearance to ventilated soffits located above the terminal within a horizontal distance of 2' (0.6m) from the center line of the terminal.
E	12" (30.5cm)**	12" (30.5cm)**	Clearance to unventilated soffit.
F	0" (0mm)	0" (0mm)	Clearance to an outside corner wall.
G	0" (0mm)***	0" (0mm)***	Clearance to an inside non -combustible corner wall or protruding non -combustible obstructions (chimney, etc.).
	2" (51mm)***	2" (51mm)***	Clearance to an inside combustible corner wall or protruding combustible obstructions (vent chase, etc.).
H	3' (0.9m)	3' (0.9m)****	Clearance to each side of the center line extended above the meter / regulator assembly to a maximum vertical distance of 15' (4.6m).
I	3' (0.9m)	3' (0.9m)****	Clearance to a service regulator vent outlet.
J	12" (30.5cm)	9" (229mm)	Clearance to a non-mechanical air supply inlet to the building or a combustion air inlet to any other appliance.
K	6' (1.8m)	3' (0.9m) †	Clearance to a mechanical air supply inlet.
L	7' (2.1m) ‡	7' (2.1m) ****	Clearance above a paved sidewalk or paved driveway located on public property.
M	12" (30.5cm)††	12" (30.5cm)****	Clearance under a veranda, porch, deck or overhang.
N	16" (40.6cm)	16" (40.6cm)	Clearance above the roof.
O	2' (0.6m)†*	2' (0.6m) †*	Clearance from an adjacent wall including neighbouring buildings.
P	8' (2.4m)	8' (2.4m)	Roof must be non -combustible without openings.
Q	3' (0.9m)	3' (0.9m)	See chart for wider wall dimensions.
R	6' (1.8m)	6' (1.8m)	See chart for deeper wall dimensions. The terminal shall not be installed on any wall that has an opening between the terminal and the open side of the structure.
S	12" (30.5cm)	12" (30.5cm)	Clearance under a covered balcony

Δ The terminal shall not be located less than 6 feet under a window that opens on a horizontal plane in a structure with three walls and a roof.

* Recommended to prevent condensation on windows and thermal breakage

** It is recommended to use a heat shield and to maximize the distance to vinyl clad soffits.

*** The periscope requires a minimum 18 inches clearance from an inside corner.

**** This is a recommended distance. For additional requirements, check local codes.

† 3 feet above if within 10 feet horizontally.

‡ A vent shall not terminate where it may cause hazardous frost or ice accumulations on adjacent property surfaces.

†† Permitted only if the veranda, porch, or deck is fully open on a minimum of two sides beneath the floor.

†* Recommended to prevent recirculation of exhaust products. For additional requirements, check local codes.

††* Permitted only if the balcony is fully open on a minimum of one side.

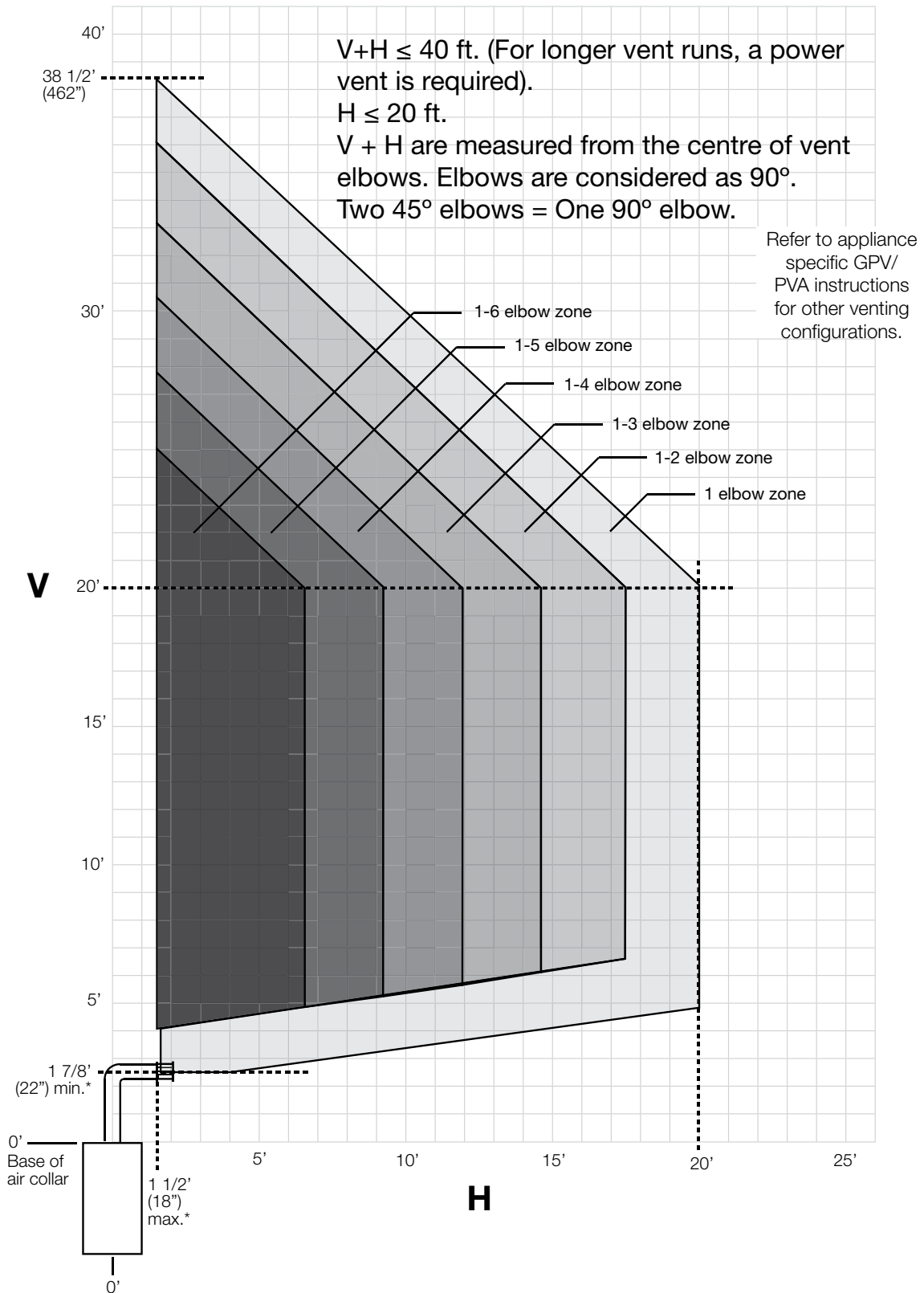
note:

Clearances are to be in accordance with local installation codes and the requirements of the gas supplier. In their absence, clearances are to be as listed above and are based on national codes.

flexible and rigid venting

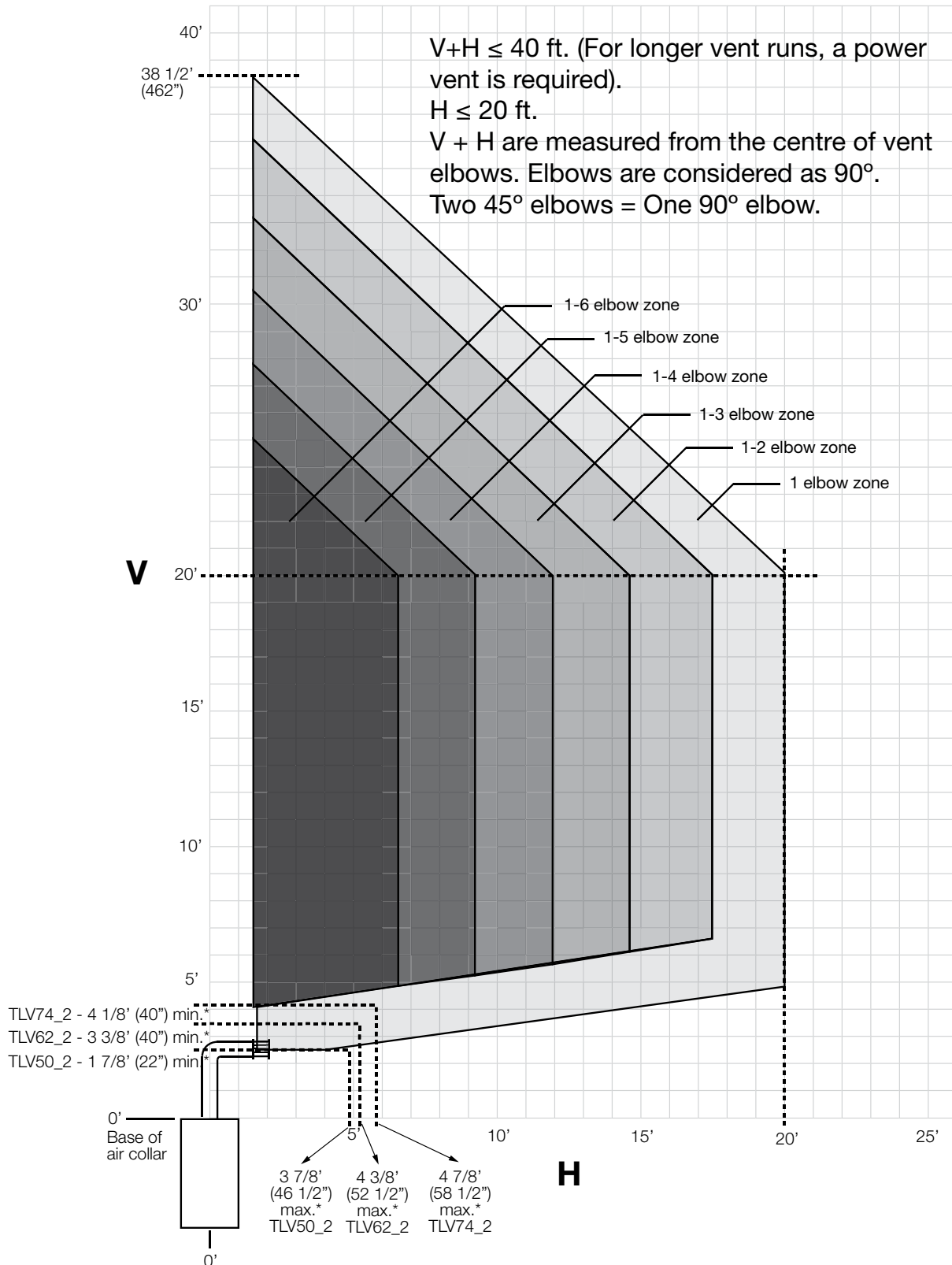
3.3 horizontal termination (natural gas)

TLV50 / TLV62 / TLV74 SINGLE-SIDED

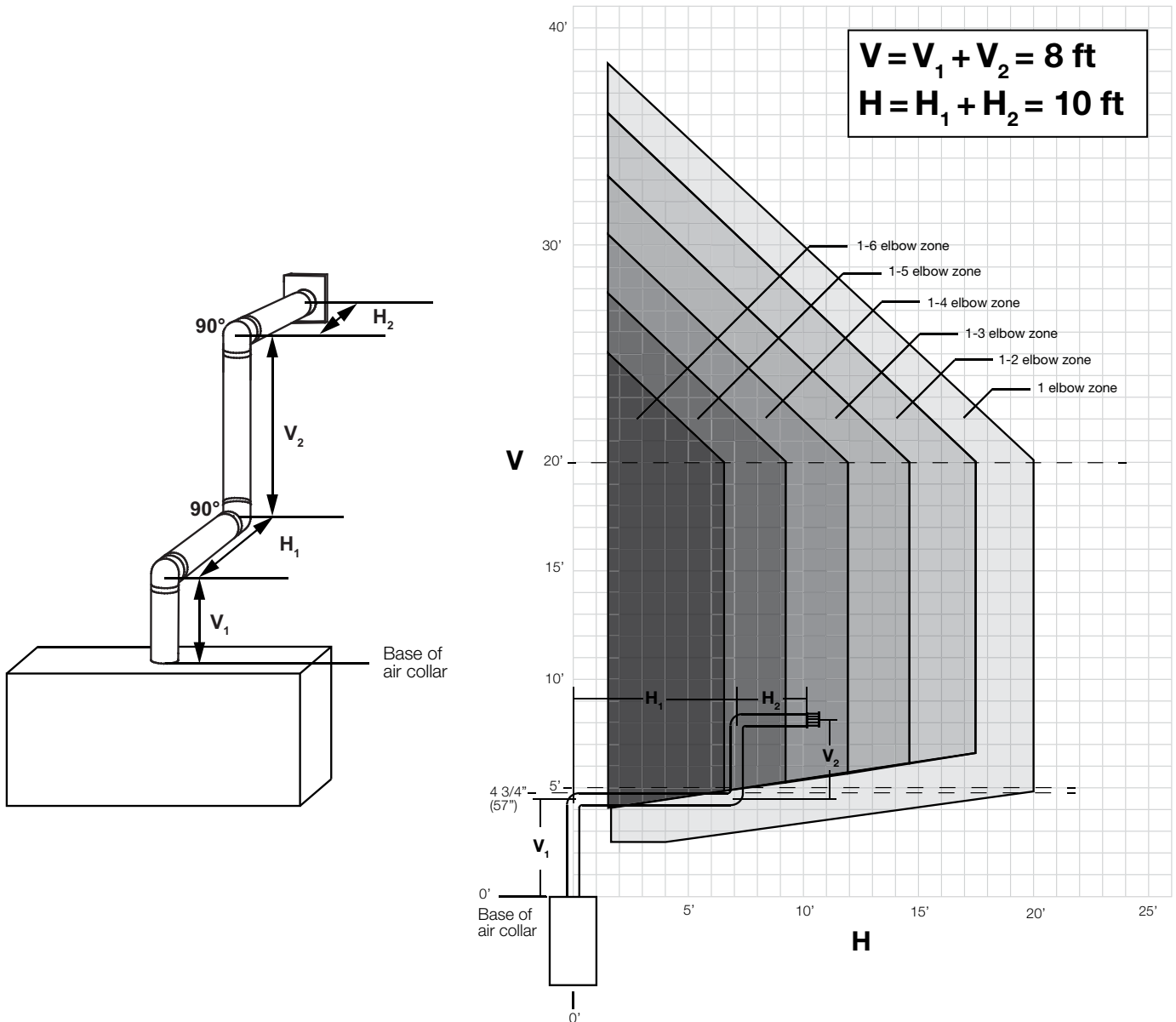


EN minimum venting requirements - natural gas
flexible and rigid venting

TLV50_2 / TLV62_2 / TLV74_2 SEE-THROUGH



flexible and rigid venting (NATURAL GAS ONLY)



V and H are measured from the center of the vent elbows

This example represents a vent that has a maximum of three 90° elbows, a combined horizontal vent length (H) of 10 feet and a combined vertical vent length (V) of 8 feet.

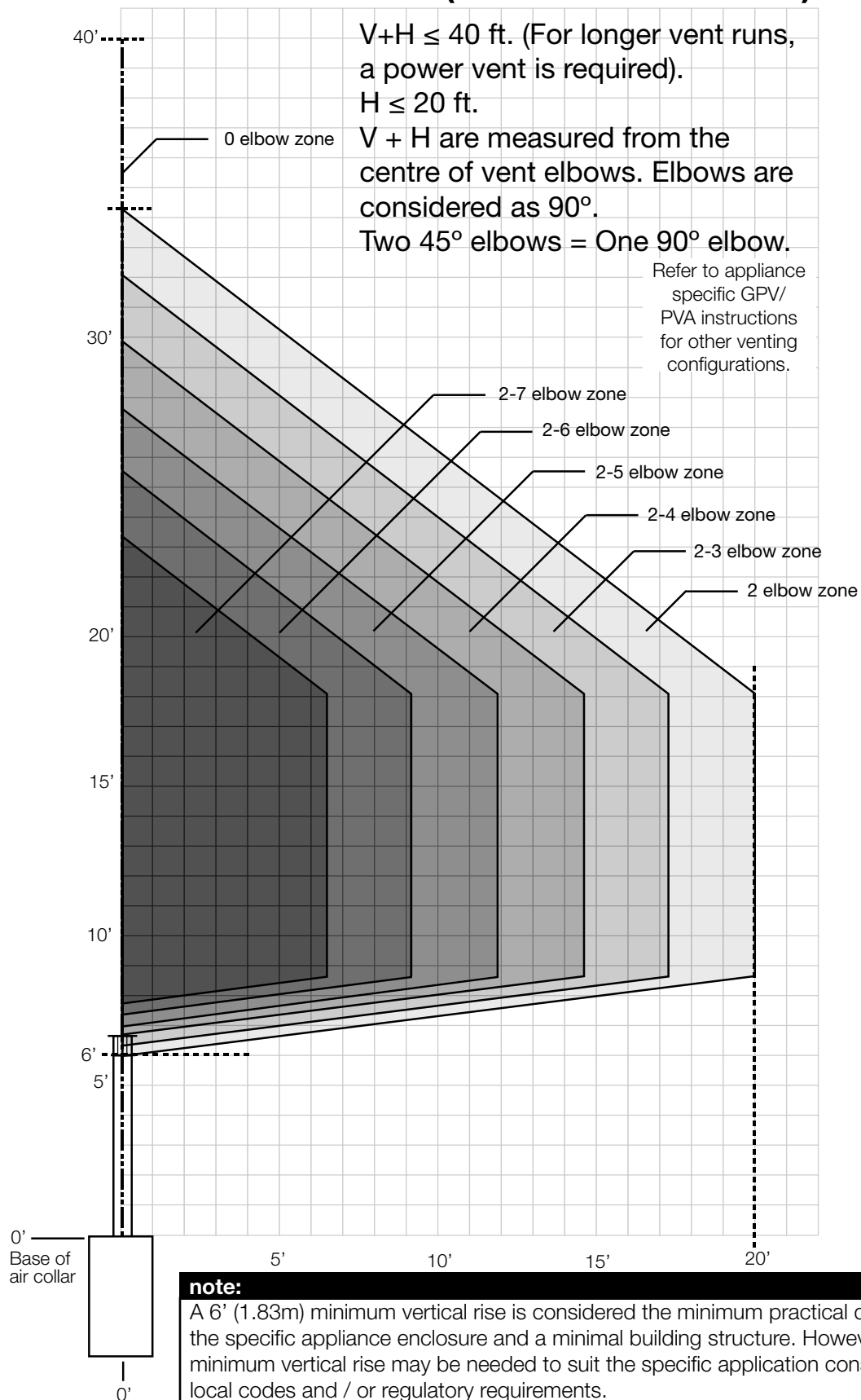
Since the vent is located in the dark shaded area, it is within the acceptable vent configuration

minimum venting requirements - natural gas

flexible and rigid venting

3.4 vertical termination (natural gas)

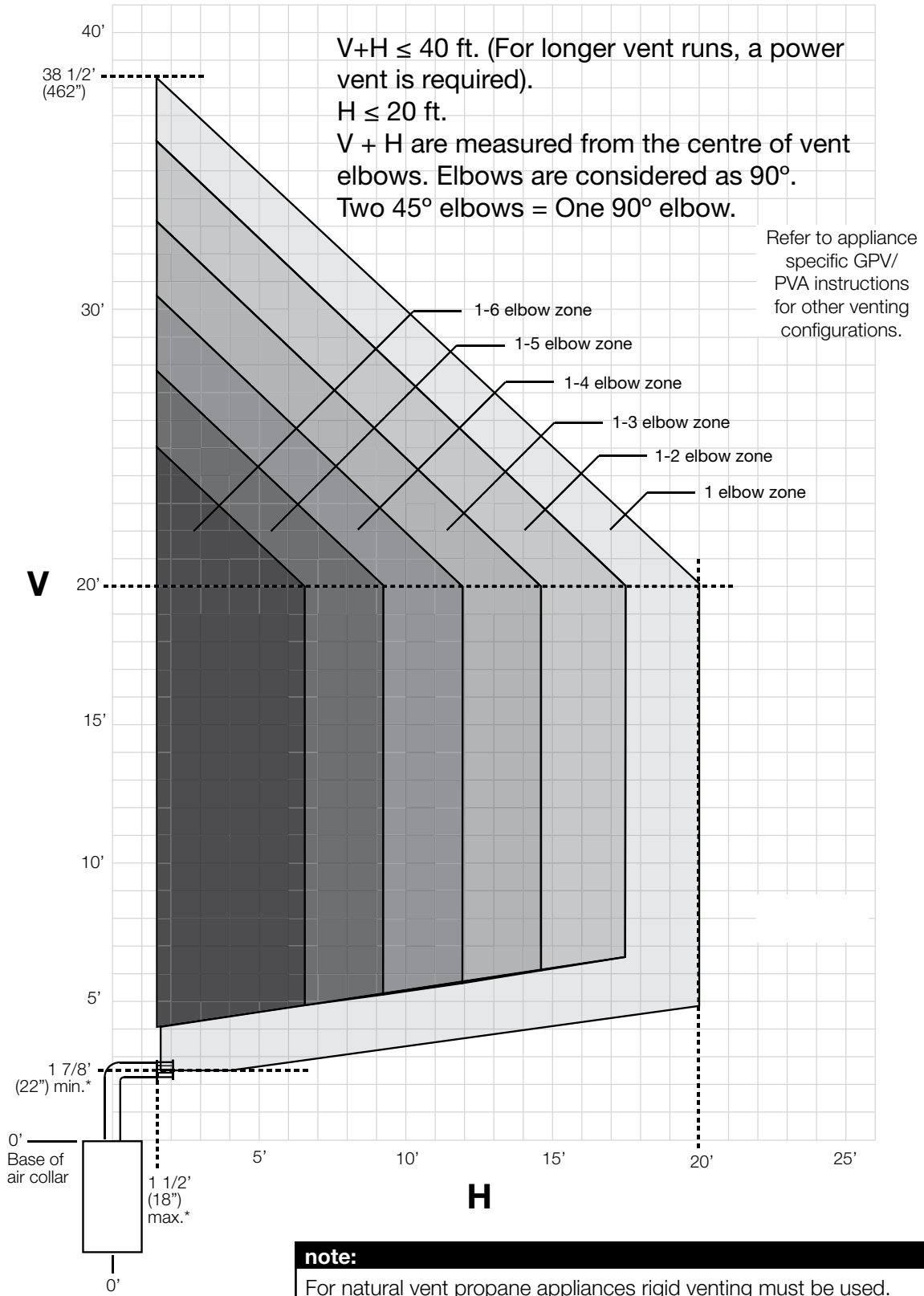
ALL APPLIANCES (NATURAL GAS ONLY)



rigid venting only

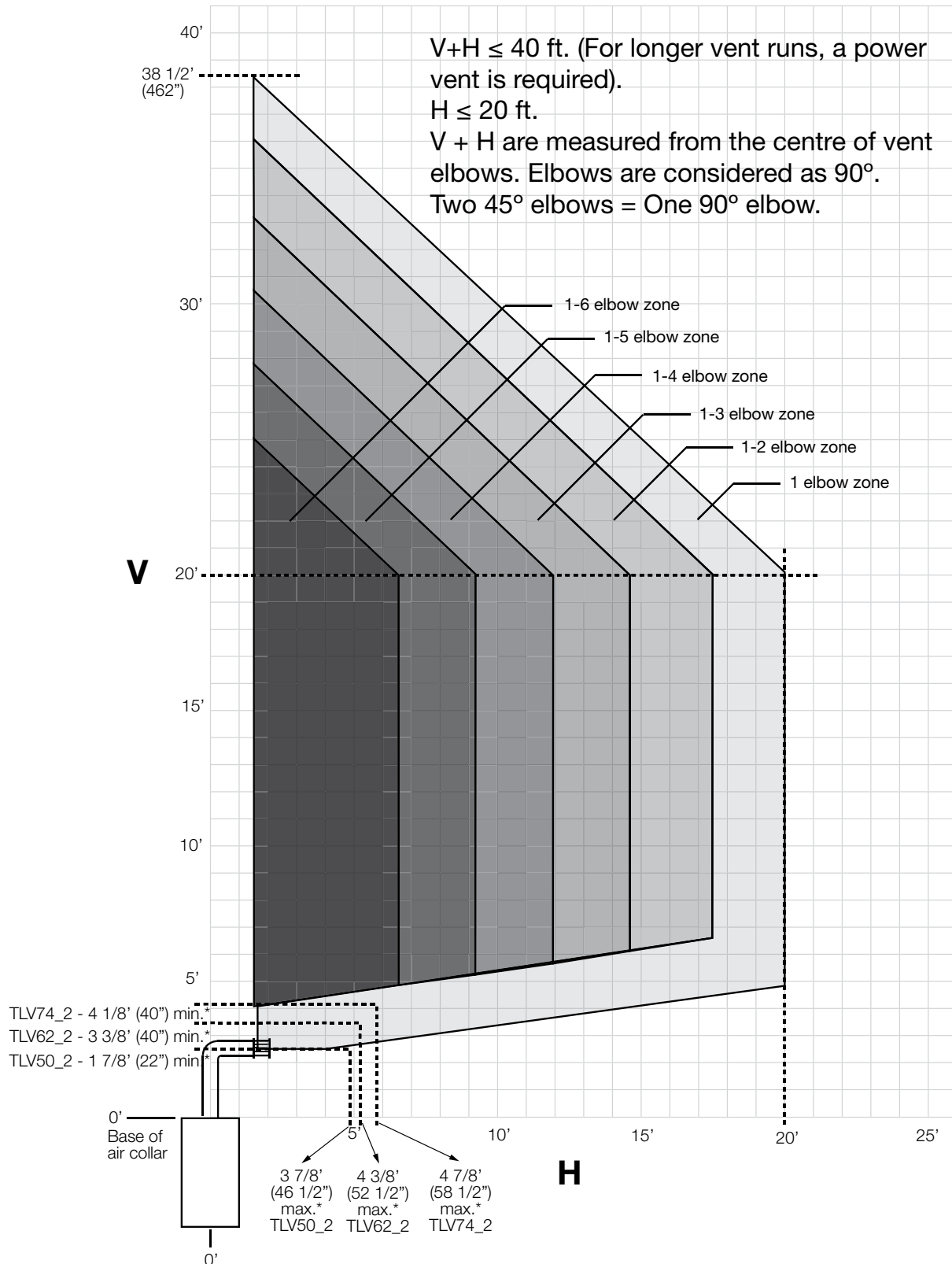
3.5 horizontal termination (propane)

TLV50 / TLV62 / TLV74 SINGLE-SIDED

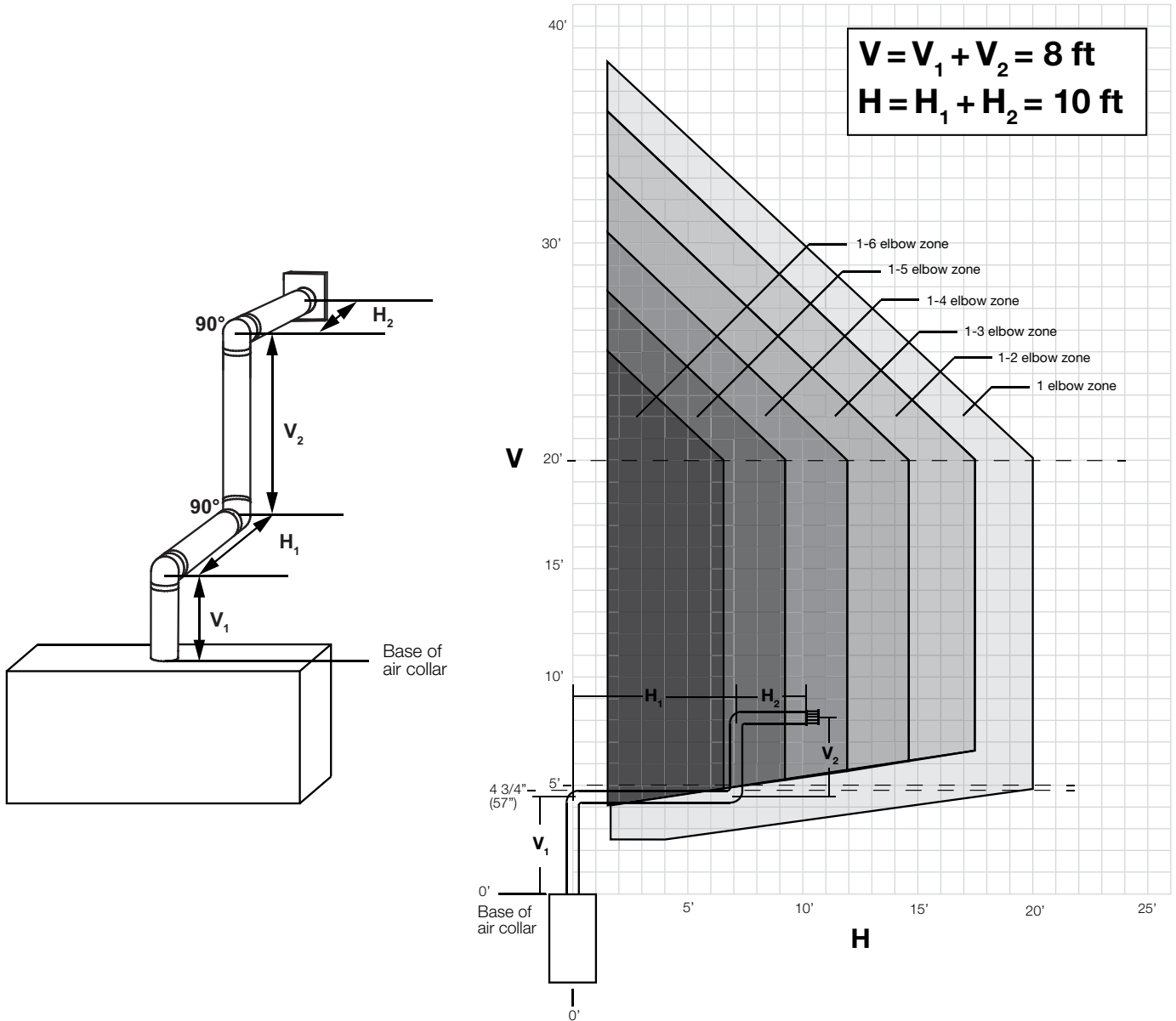


EN **minimum venting requirements - propane**
rigid venting only

TLV50_2 / TLV62_2 / TLV74_2 SEE-THROUGH



(PROPANE - RIGID VENT ONLY)



V and H are measured from the center of the vent elbows

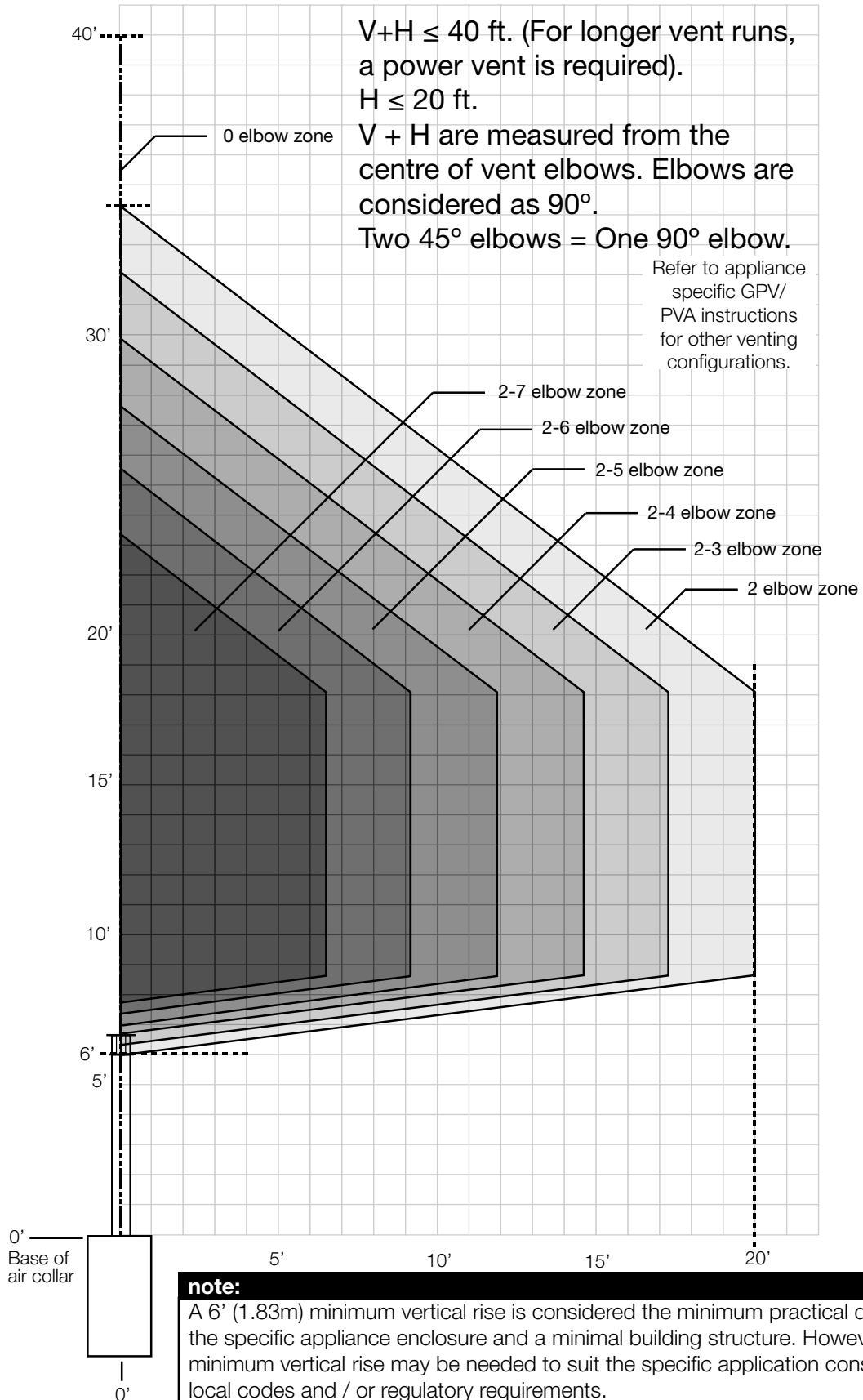
This example represents a vent that has a maximum of three 90° elbows, a combined horizontal vent length (H) of 10 feet and a combined vertical vent length (V) of 8 feet.

Since the vent is located in the dark shaded area, it is within the acceptable vent configuration

rigid venting only

3.6 vertical termination (propane)

ALL APPLIANCES (PROPANE ONLY)



4.0 rough framing - before appliance installation

note:

When using optional finishing accessories, the framing dimensions and finishing materials may differ from what is outlined in the section below; refer to the leaflet instructions supplied in the accessory kit for specific framing and finishing specifications.

WARNING

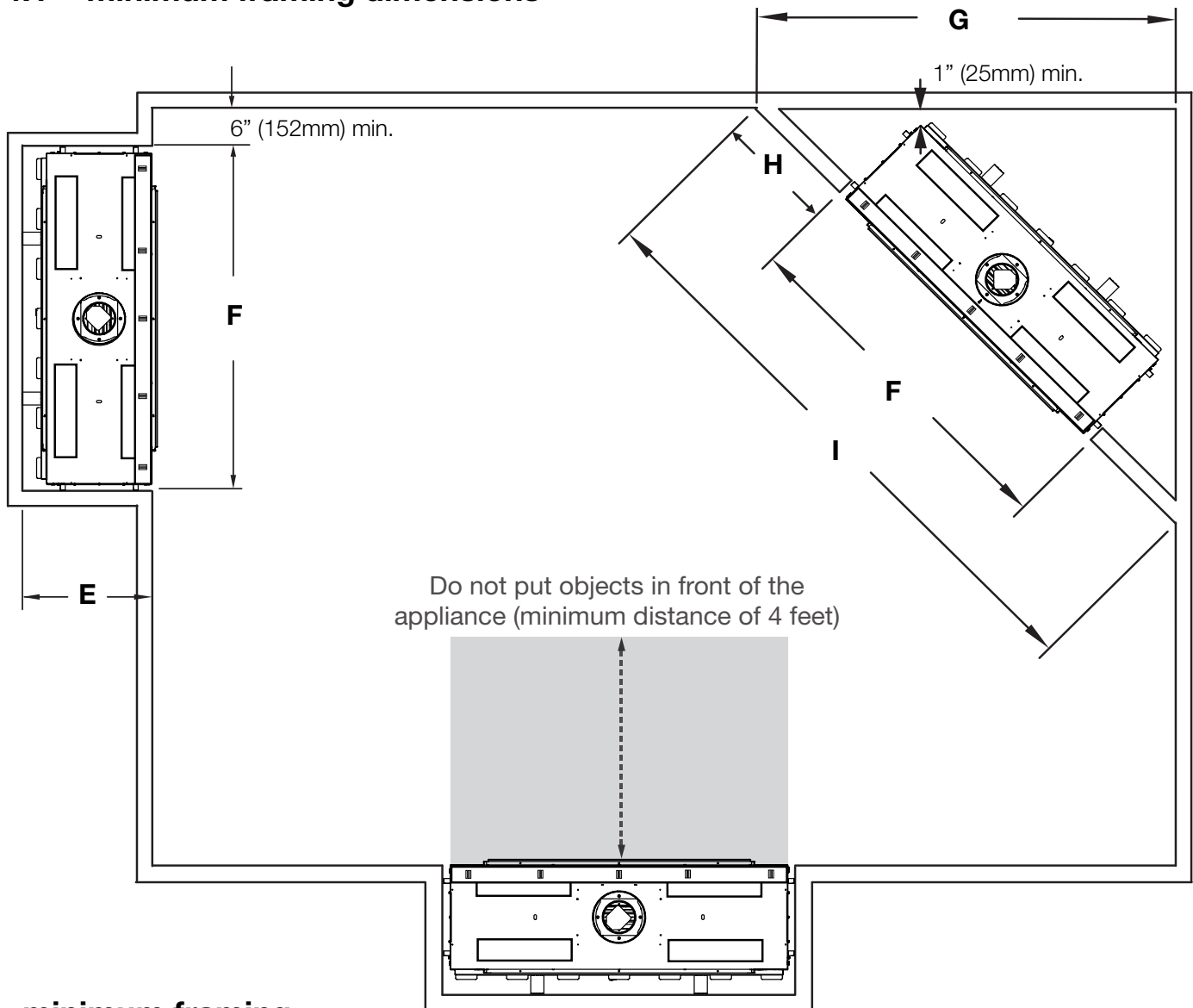
- Risk of fire!
- In order to avoid the possibility of exposed insulation or vapour barrier coming in contact with the appliance body, it is recommended that the walls of the appliance enclosure be “finished” (i.e. drywall / sheetrock), as you would finish any other outside wall of a home. This will ensure that clearance to combustibles is maintained within the cavity.
- Do not notch the framing around the appliance stand offs. Failure to maintain air space clearance may cause over heating and fire. Prevent contact with sagging or loose insulation or framing and other combustible materials. Block opening into the chase to prevent entry of blown-in insulation. Make sure insulation and other materials are secured.
- When constructing the enclosure, allow for finishing material thickness to maintain clearances. Framing or finishing material closer than the minimums listed must be constructed entirely of non-combustible materials. Materials consisting entirely of steel, iron, brick, tile, concrete, slate, glass or plasters, or any combination thereof are suitable. Materials that are reported as passing ASTM E136, standard test method for behaviour of materials in a vertical tube furnace at 1382°F (750°C) and UL763 shall be considered non-combustible materials.
- Minimum clearance to combustibles must be maintained or a serious fire hazard could result.
- The appliance requires a minimum enclosure height. Measure from the appliance base.
- If steel stud framing kits with cement board are provided, or specified in the installation instructions, they must be installed.
- If specified in the installation instruction, finishing must be done using a non-combustible board, ceramic tile, marble, etc. Do **NOT** use wood or drywall. Any fire rated drywall is **not** acceptable.

note:

For heavier finishing materials such as marble, we recommend adding extra support to the frame. Ensure there is adequate floor support for the appliance and finishing material.

rough framing - before appliance installation

4.1 minimum framing dimensions



minimum framing

	TLV50	TLV62	TLV74
E	20 1/8" (511mm)		
F	65 13/16" (1672mm)	77 13/16" (1976mm)	89 13/16" (2281mm)
G	71 1/8" (1807mm)	79 9/16" (2022mm)	88 1/16" (2237mm)
H	17 3/8" (442mm)		
I	102 3/16" (2595mm)	114 1/8" (2899mm)	126 1/8" (3204mm)

Horizontal vent sections: A minimum clearance of 3" (76mm) on the top outside of the enclosure and 2" (51mm) on the sides and bottom outside of the enclosure all around the vent pipe on all horizontal runs to combustibles is required. Horizontal vent sections within enclosures require a minimum clearance of 6" (152mm) at the top of the vent pipe.

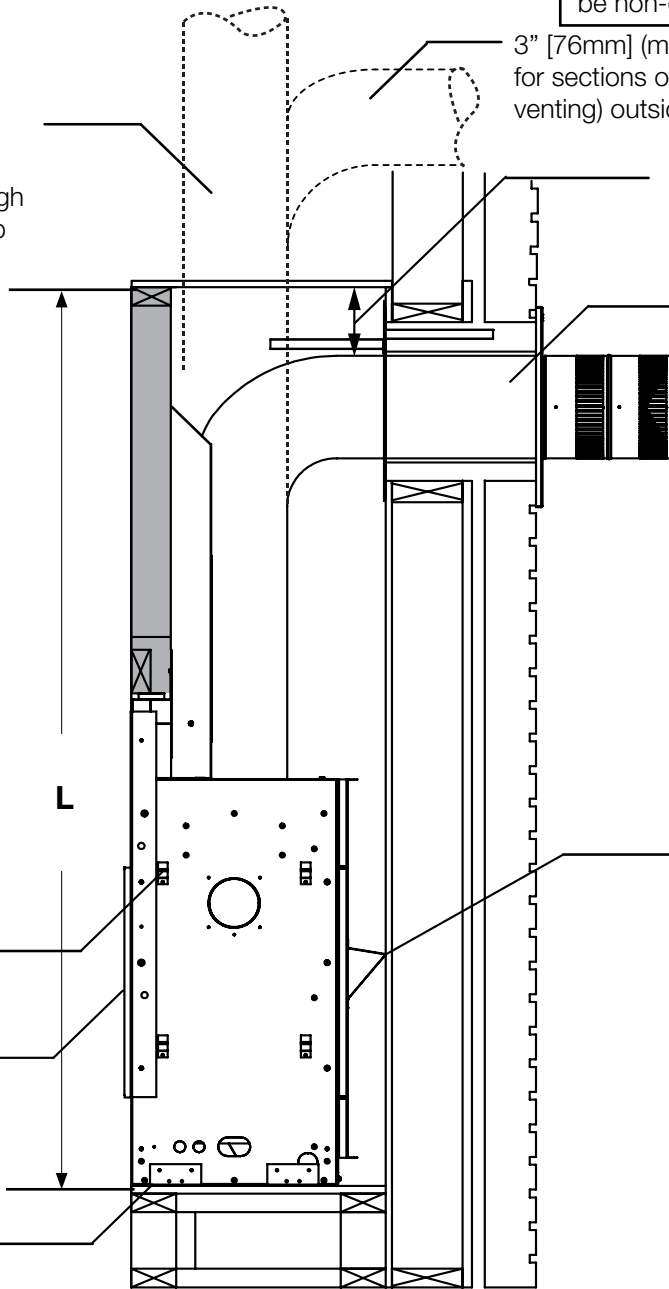
Vertical vent sections: A minimum of 1" (25mm) all around the vent pipe on all vertical runs to combustibles is required except for clearances in appliances enclosures. Vertical vent sections within enclosures require a minimum clearance of 1" (25mm) around the vent pipe.

rough framing - before appliance installation

4.1.1 minimum clearance to combustibles enclosures

note:
Shaded components (finish framing) must be non-combustible materials.

1" [25mm] minimum all sides for sections of vertical venting.
When passing through a ceiling, use firestop spacer W500-0028 (not supplied)



3" [76mm] (minimum all sides for sections of horizontal venting) outside of enclosure.

6" [152mm] minimum (inside enclosure)

3" [76mm] top (outside of enclosure)

2" [51mm] sides / bottom (outside of enclosure)

0" to non-combustible finishing such as brick and stone

When passing through a wall, use firestop spacer W615-0162 (supplied with W010-4178 firestop spacer assembly)

0" to back standoffs

0" to side standoffs

1/2" finishing flange

0" to bottom of the appliance

Horizontal vent sections: A minimum clearance of 3" (76mm) on the top outside of the enclosure and 2" (51mm) on the sides and bottom outside of the enclosure all around the vent pipe on all horizontal runs to combustibles is required. Horizontal vent sections

within enclosures require a minimum clearance of 6" (152mm) at the top of the vent pipe.

Vertical vent sections: The first 22"- 30" (55.8cm) of vertical vent pipe is shielded. A 1" (25mm) clearance to the shield is required.

minimum clearance

Ref	TLV50	TLV62	TLV74
L	73" (1854mm)	91" (2311mm)	

note:
The TLV series requires a minimum enclosure/ceiling height, as illustrated (dimension L), measured from the bottom of the appliance. For temperature requirements, this area must be left unobstructed. Some venting configurations that require more vertical rise will require a larger enclosure to provide minimum vertical clearance between vent pipes and combustibles.

rough framing - before appliance installation

see-through

note:

Shaded components (finish framing) must be non-combustible materials.

1" [25mm] minimum all sides for sections of vertical venting.

When passing through a ceiling, use firestop spacer W500-0028 (not supplied)

3" [76mm] (minimum all sides for sections of horizontal venting) outside of enclosure.

6" [152mm] minimum (inside enclosure)
3" [76mm] top (outside of enclosure)

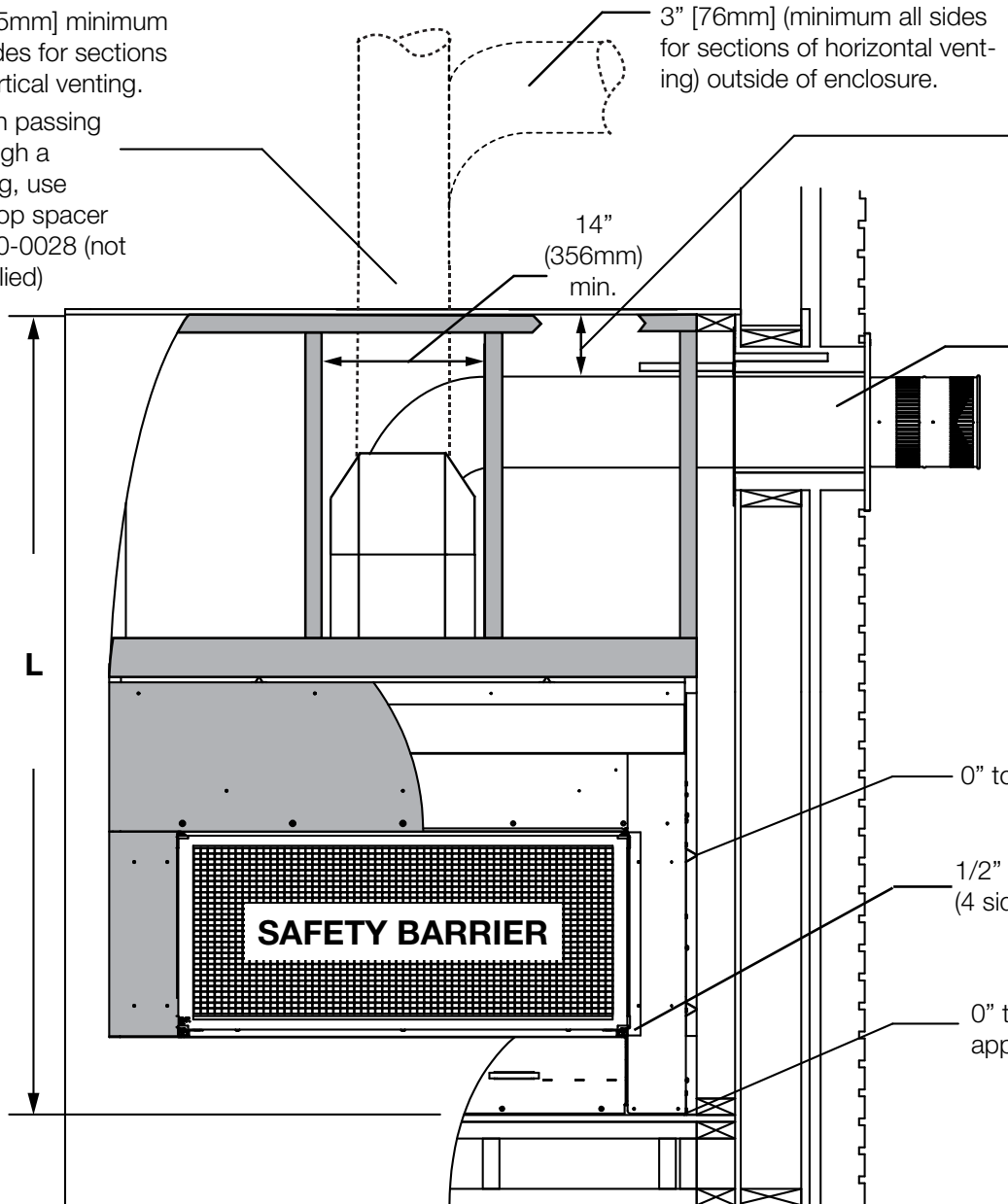
2" [51mm] sides / bottom (outside of enclosure)

0" to non-combustible finishing such as brick and stone
When passing through a wall, use firestop spacer W615-0162 (supplied with W010-4178 firestop spacer assembly)

0" to side standoffs

1/2" finishing flange (4 sides)

0" to base of the appliance



Horizontal vent sections: A minimum clearance of 3" (76mm) on the top outside of the enclosure and 2" (51mm) on the sides and bottom outside of the enclosure all around the vent pipe on all horizontal runs to combustibles is required. Horizontal vent sections within enclosures require a minimum clearance of 6" (152mm) at the top of the vent pipe.

Vertical vent sections: A minimum of 1" (25mm) all around the vent pipe on all vertical runs to combustibles is required except for clearances in appliances enclosures. Vertical vent sections within enclosures require a minimum clearance of 1" (25mm) around the vent pipe.

minimum clearance

Ref	TLV50_2	TLV62_2	TLV74_2
L	73" (1854mm)	91" (2311mm)	

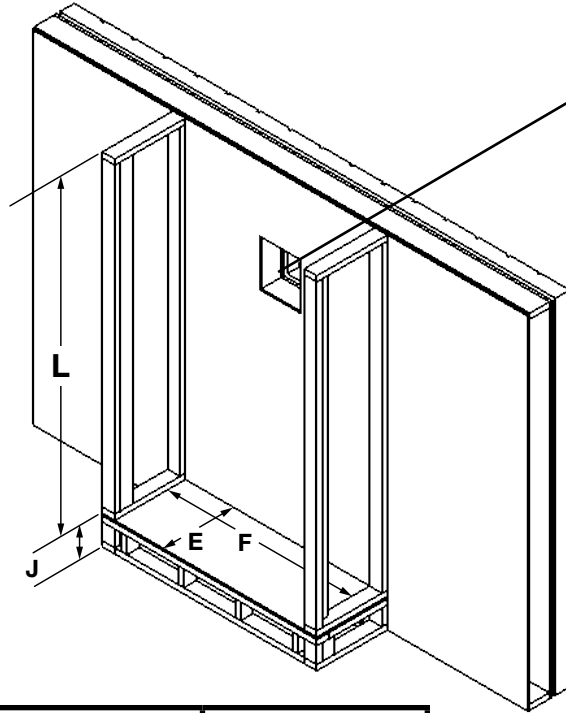
note:

The TLV series requires a minimum enclosure/ceiling height, as illustrated (dimension L), measured from the bottom of the appliance. For temperature requirements, this area must be left unobstructed. Some venting configurations that require more vertical rise will require a larger enclosure to provide minimum vertical clearance between vent pipes and combustibles.

rough framing - before appliance installation EN

Before framing your appliance, determine vent requirements before deciding the final location of the appliance. After rough framing, place the appliance in its final position.

single-sided



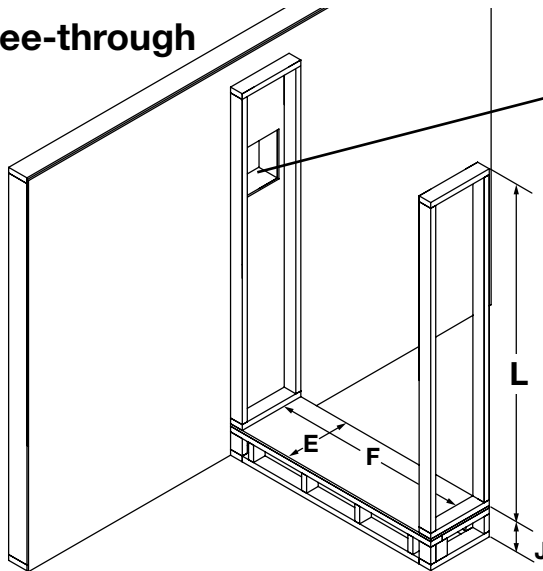
Before framing an appliance, ensure to install the firestop first.

note:
The TLV series requires a minimum enclosure/ceiling height, as illustrated (dimension L), measured from the bottom of the appliance. For temperature requirements, this area must be left unobstructed. Some venting configurations that require more vertical rise will require a larger enclosure to provide minimum vertical clearance between vent pipes and combustibles.

minimum framing

Ref	TLV50	TLV62	TLV74
E	20 1/8" (511mm)		
F	65 13/16" (1672mm)	77 13/16" (1976mm)	89 13/16" (2281mm)
J	Optional - Appliance does not need to be elevated above floor		
L*	73" (1854mm)	91" (2311mm)	

see-through



Before framing a see-through appliance, ensure to install the firestop first as it will not fit between the studs if installed after framing.

note:
The TLV series requires a minimum enclosure/ceiling height, as illustrated (dimension L), measured from the bottom of the appliance. For temperature requirements, this area must be left unobstructed. Some venting configurations that require more vertical rise will require a larger enclosure to provide minimum vertical clearance between vent pipes and combustibles.

minimum framing

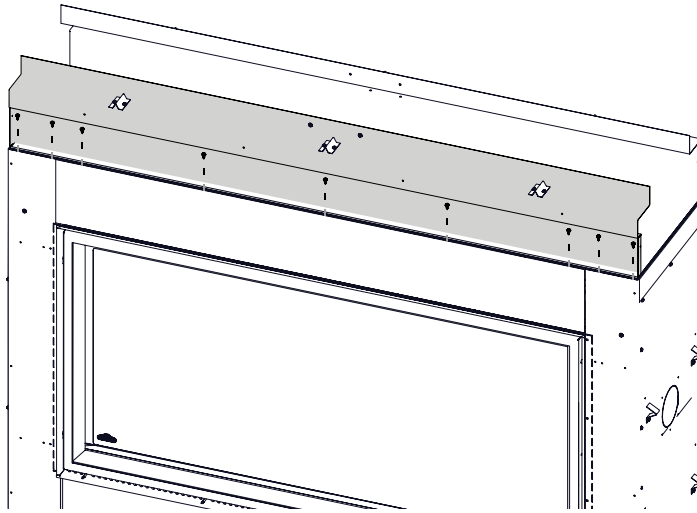
Ref	TLV50_2	TLV62_2	TLV74_2
E	16 3/16" (411mm)		
F	65 13/16" (1672mm)	77 13/16" (1976mm)	89 13/16" (2281mm)
J	Optional - Appliance does not need to be elevated above floor		
*L	73" (1854mm)	91" (2311mm)	

*Minimum enclosure/ceiling height may be higher depending on venting configuration (See minimum clearance to combustibles).

rough framing - before appliance installation

4.2 front frame installation

Remove screws from appliance, add the front frame, and reinstall the screws.



5.0 venting installation

⚠ WARNING

- Ensure to unpack all loose materials from inside the firebox prior to connecting the gas and electrical supply
- **If your appliance is supplied with a remote, ensure the remote receiver is in the “OFF” position prior to connecting the gas and electrical supply to the appliance.**
- For safe and proper operation of the appliance, follow the venting instructions exactly.
- **The appliance exhaust flue collar must be sealed using Mill Pac.** All exhaust and intake vent pipe joints must be sealed using red RTV high temp silicone sealant (W573-0002) (not supplied) or black high temp Mill Pac (W573-0007) (not supplied).
- If using pipe clamps to connect rigid vent components, a minimum of 3 screws must also be used to ensure the connection cannot slip off.
- Do not clamp the flexible vent pipe.
- Risk of fire, explosion, or asphyxiation. Improper support of the entire venting system may allow vent to sag and separate. Use vent run supports and connect vent sections per installation instructions.
- Risk of fire, do not allow loose materials or insulation to touch the vent pipe. Remove insulation to allow for the installation of the attic shield and to maintain clearances to combustibles.
- Do not fill the space between the vent pipe and enclosure with any type of material. Do not pack insulation or combustibles between ceiling firestops. Always maintain specified clearances around venting and firestop systems. Install wall shields and firestops as specified. Failure to keep insulation or other materials away from vent pipe may cause fire.
- **For gas stoves only:** If the appliance is installed directly on carpeting, vinyl tile, or other combustible material other than wood flooring, the appliance shall be installed on a metal or wood panel extending the full width and depth, unless otherwise tested.

For optimum performance, it is recommended that all horizontal runs have a minimum of 1/4" (6mm) rise per foot using flexible venting.

note:

The vent shield is telescopic and must be adjusted to shield the first 30" (76.2cm) of vertical vent when applicable.

For vent shield installation, see “vent shield installation” section.

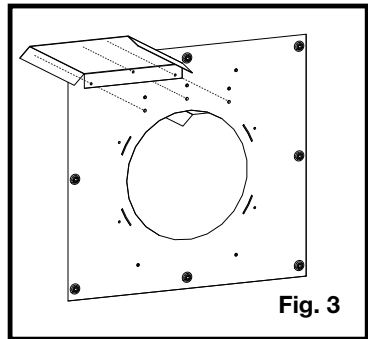
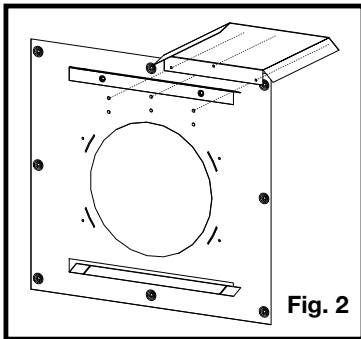
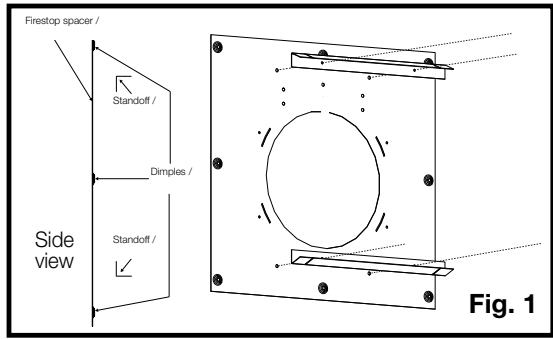
Power vent system are available with reduced vent pipe diameter and longer vent runs.

5.1 firestop spacer assembly

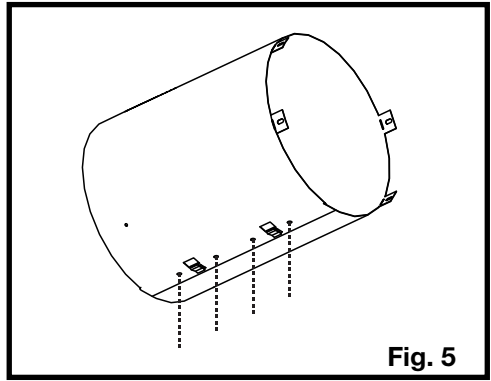
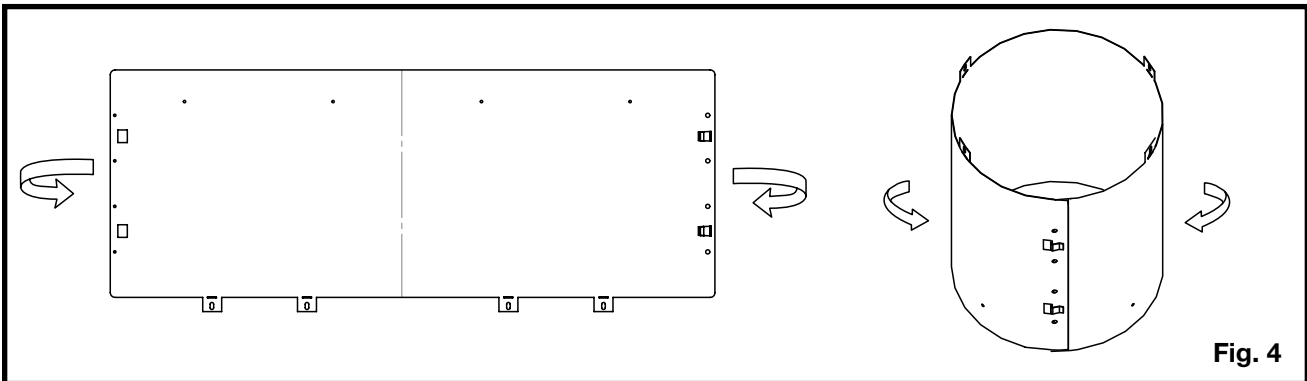
- 1. Install standoffs onto the firestop spacer (Fig. 1).
- 2. Install one vent shield onto the standoff on one side of the firestop spacer (Fig. 2).
- 3. Install the other vent shield on the opposite side of the firestop spacer (Fig. 3).



Type 1 (x18)



- 4. Roll the vent sleeve as shown and ensure to clip the ends together (Fig. 4).
- 5. Ensure both ends line up and secure ends with clip and fasteners (Fig. 5).



6. Insert the vent sleeve tabs into the firestop spacer slots then bend the tabs over to secure to the firestop spacer along with 4 supplied fasteners (**Fig. 6**).

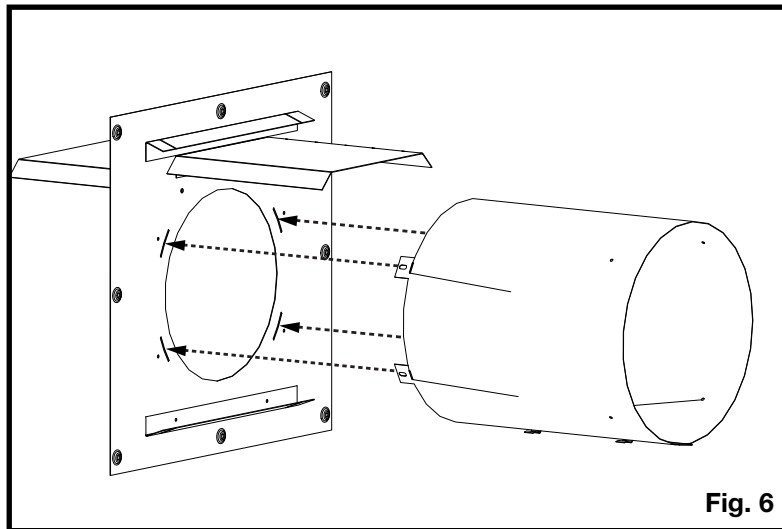


Fig. 6

note:

Note orientation of dimples and standoffs.

5.2 horizontal installation

! WARNING

- The firestop assembly must be installed with the vent shield to the top.
- Terminals must not be recessed into a wall or siding more than the depth of the return flange of the mounting plate.

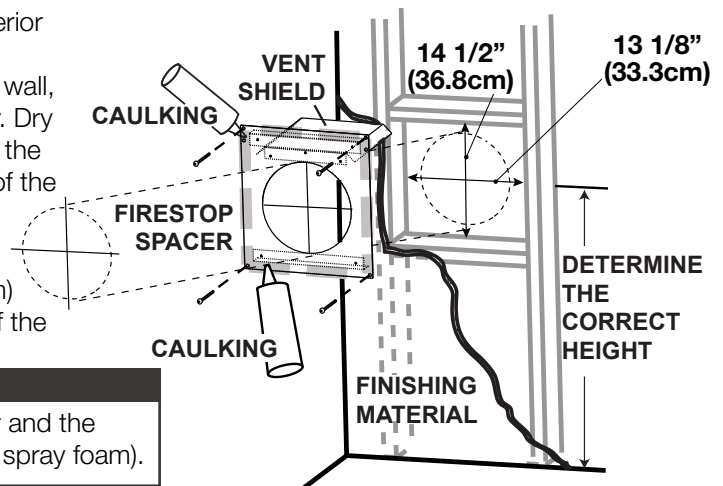
This application occurs when venting through an exterior wall. Having determined the correct height for the air terminal location, cut and frame a hole in the exterior wall, as illustrated, to accommodate the firestop assembly. Dry fit the firestop assembly before proceeding to ensure the brackets on the rear surface fit to the inside surface of the horizontal framing.

The length of the vent shield may be cut shorter for combustible walls that are less than 8 1/2" (215.9mm) thick but the vent shield must extend the full depth of the combustible wall.

note:

Do not fill the air space between the firestop spacer and the exterior wall with any type of insulating material (i.e. spray foam).

- Apply a bead of caulking (not supplied) around the outer edge of the hole of the firestop assembly, fit the firestop assembly to the hole and secure using 4 screws.
- Once the vent pipe is installed in its final position, apply red RTV silicone (W573-0002) (not supplied) between the pipe and the firestop.

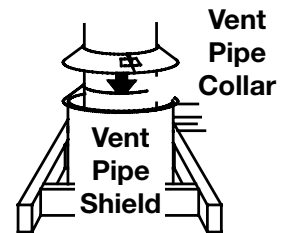
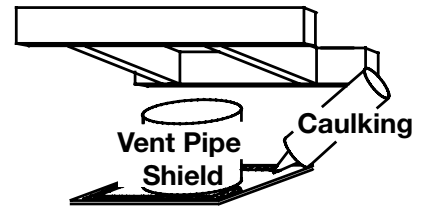
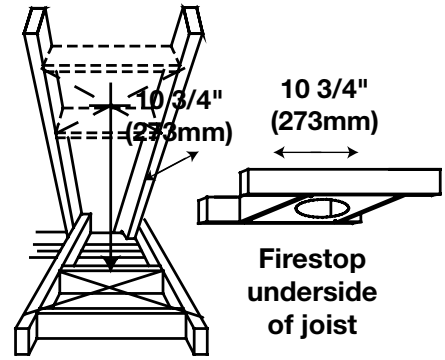
**note:**

The above is for illustration purposes only. Vents do not always pass through center of frame.

5.3 vertical installation

This application occurs when venting through a roof. Installation kits for various roof pitches are available from your authorized dealer / distributor. See the “accessories” section to order specific kits required.

- A. Determine the air terminal location, cut and frame a square opening, as illustrated, in the ceiling and the roof to provide the minimum 1" (25mm) clearance between the vent pipe and any combustible material. Try to center the vent pipe location midway between two joists to prevent having to cut them. Use a plumb bob to line up the center of the openings. A vent pipe shield will prevent any materials such as insulation, from filling up the 1" (25mm) air space around the pipe. Nail headers between the joist for extra support.
- B. Apply a bead of caulking (not supplied) to the framework or to the Wolf Steel vent pipe shield plate or equivalent (in the case of a finished ceiling), and secure over the opening in the ceiling. A firestop must be placed on the bottom of each framed opening in a roof or ceiling that the venting system passes through. Apply a bead of caulking all around and place a firestop spacer over the vent shield to restrict cold air from being drawn into the room or around the fireplace. Ensure that both spacer and shield maintain the required clearance to combustibles. Once the vent pipe is installed in its final position, apply red RTV silicone (W573-0002) (not supplied) between the pipe and the firestop assembly.
- C. In the attic, slide the vent pipe collar down to cover up the open end of the shield and tighten. This will prevent any materials, such as insulation, from filling up the 1" (25mm) air space around the pipe.



note:

When the venting passes vertically through a ceiling, you may use either Wolf Steel firestops or the venting manufacturer’s firestops for rigid venting, provided they follow the required clearances listed in the appliance installation manual. For Wolf Steel flexible venting, you **MUST** use the Wolf Steel firestops listed below.

For 4”/7” appliances:

When using flex venting, use firestop assembly W500-0292 (not supplied).

When using rigid venting, use firestop assembly 4DFS (not supplied).

For 5”/8” appliances:

When using flex venting, use firestop assembly W500-0028 (not supplied).

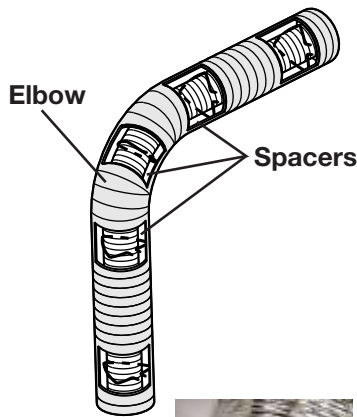
When using rigid venting, use firestop assembly 5DFS (not supplied).

venting installation

5.4 using flexible vent components

⚠ WARNING

- Do not allow the inner flex pipe to bunch up on horizontal or vertical runs and elbows. Keep it pulled tight.
- Spacers are attached to the inner flex pipe at predetermined intervals to maintain an even air gap to the outer flex pipe. This gap is required for safe operation. A spacer is required at the start, middle, and end of each elbow to ensure this gap is maintained. These spacers must not be removed.



For safe and proper operation of the appliance, follow the venting instructions exactly.

The vent system must be supported approximately every 3 feet (0.9m) for both vertical and horizontal runs. Use Wolf Steel Ltd. support ring assembly or equivalent noncombustible strapping to maintain the minimum clearance to combustibles for both vertical and horizontal runs.

All inner flex pipe and outer flex pipe joints may be sealed using high temperature red RTV silicone W573-0002 (not supplied) or the high temperature sealant W573-0007 Mill Pac (not supplied). However, the high temperature sealant W573-0007 Mill Pac (not supplied) must be used on the joint connecting the inner flex pipe and the exhaust flue collar.

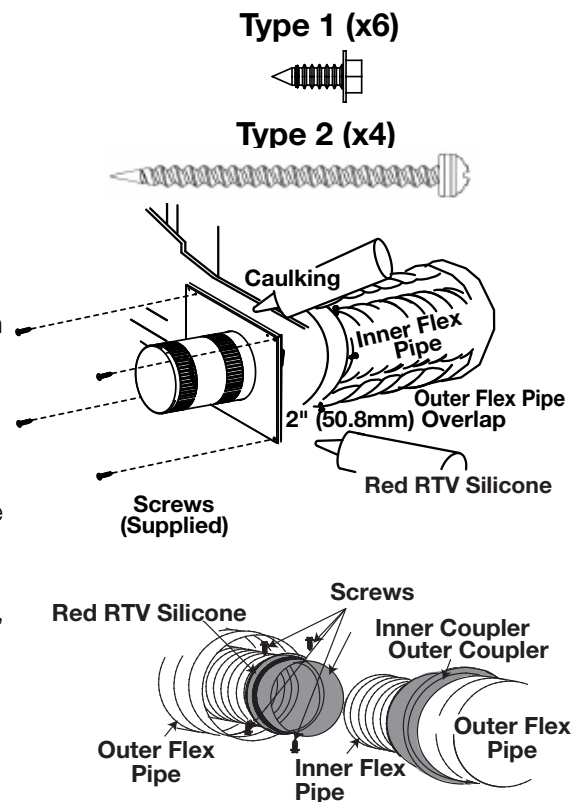
Use only approved flexible vent pipe kits marked:



“Wolf Steel Approved Venting” or “E2” as identified by the stamp only on the flex pipes.

5.4.1 horizontal air terminal installation

- Stretch the inner flex pipe to the required length taking into account the additional length needed for the finished wall surface. Apply a heavy bead of the red RTV silicone (W573-0002) (not supplied) to the inner sleeve of the air terminal. Slip the vent pipe a minimum of 2" (50.8mm) over the inner sleeve of the air terminal and secure with a minimum of 3 screws.
- Using the outer flex pipe, slide over the outer combustion air sleeve of the air terminal and secure with a minimum of 3 screws. Seal using red RTV silicone (W573-0002) (not supplied).
- Insert the vent pipes through the firestop maintaining the required clearance to combustibles. Holding the air terminal (lettering in an upright, readable position), secure to the exterior wall and make weather tight by sealing with caulking (not supplied).
- If more vent pipe needs to be used to reach the fireplace, couple them together, as illustrated. The vent system must be supported approximately every 3 feet (0.9m) for both vertical and horizontal runs. Use non-combustible strapping to maintain the minimum clearance to combustibles.



The air terminal mounting plate may be recessed into the exterior wall or siding no greater than the depth of its return flange.

5.4.2 vertical air terminal installation

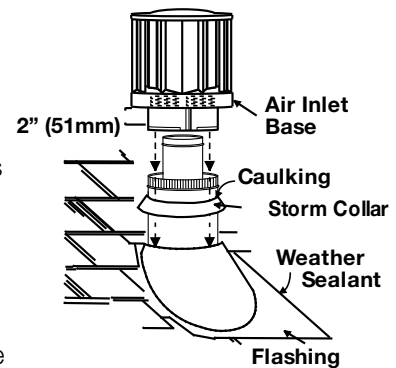
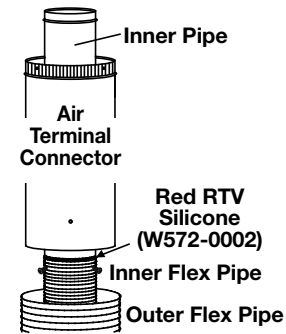
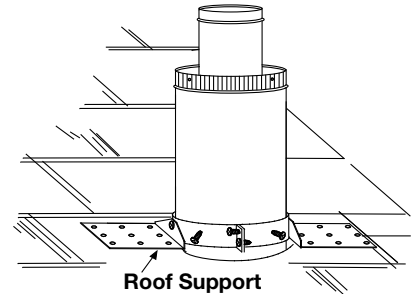
! WARNING

- Maintain a minimum 2" (51mm) space between the air inlet base and the storm collar.

note:

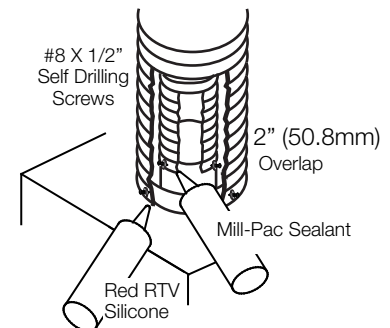
Fastening hardware provided with appropriate roof terminal and liner kits.

- A. Fasten the roof support to the roof using 6 screws. The roof support is optional. In this case, the venting is to be adequately supported using either an alternate method suitable to the authority having jurisdiction or the optional roof support.
- B. Stretch the inner flex pipe to the required length. Slip the inner flex pipe a minimum of 2" (51mm) over the inner pipe of the air terminal connector and secure with a minimum of three screws, when 4/7, 5/8 and 3/5 venting is used and a minimum of six screws when using 8/10 or 8/11 venting. Seal using a heavy bead of red RTV silicone sealant (W573-0002) (not supplied).
- C. Repeat using the outer flex pipe, using a heavy bead of red RTV silicone sealant (W573-0002) (not supplied) and a minimum of three screws, when 4/7, 5/8 and 3/5 venting is used and a minimum of six screws when using 8/10 or 8/11 venting.
- D. Thread the air terminal connector / vent pipe assembly down through the roof. The air terminal must be positioned vertically and plumb. Attach the air terminal connector to the roof support, ensuring that the top of the air terminal is 16" (40.6cm) above the highest point that it penetrates the roof.
- E. Remove nails from the shingles, above and to the sides of the air terminal connector. Place the flashing over the air terminal connector leaving a min. 3/4" (19mm) of the air terminal connector showing above the top of the flashing. Slide the flashing underneath the sides and upper edge of the shingles. Ensure that the air terminal connector is properly centered within the flashing, giving a 3/4" (19mm) margin all around. Fasten to the roof. Do not nail through the lower portion of the flashing. Make weather-tight by sealing with caulking. Where possible, cover the sides and top edges of the flashing with roofing material.
- F. Aligning the seams of the terminal and air terminal connector, place the terminal over the air terminal connector making sure the vent pipe goes into the hole in the terminal. Secure with a minimum of three screws, when 4/7, 5/8 and 3/5 venting is used and a minimum of six screws when using 8/10 or 8/11 venting.
- G. Apply a heavy bead of weatherproof caulking 2" (51mm) above the flashing. Install the storm collar around the air terminal and slide down to the caulking. Tighten to ensure that a weather-tight seal between the air terminal and the collar is achieved.
- H. If more vent pipe needs to be used to reach the appliance, see "horizontal air terminal



5.4.3 appliance vent connection

- A. Install the inner flex pipe to the appliance. Secure with a minimum of three screws when installing 3"/5", 4"/7" or 5"/8" venting, or six screws when installing 8"/10" or 8"/11" venting. Seal the joint and screw holes using Mill Pac sealant (W573-0007) (not supplied).
- B. Install the outer flex pipe to the appliance. Secure with a minimum of three screws when installing 3"/5", 4"/7" or 5"/8" venting, or six screws when installing 8"/10" or 8"/11" venting. Seal the joints using high temperature red RTV silicone (W573-0002) (not supplied).



venting installation

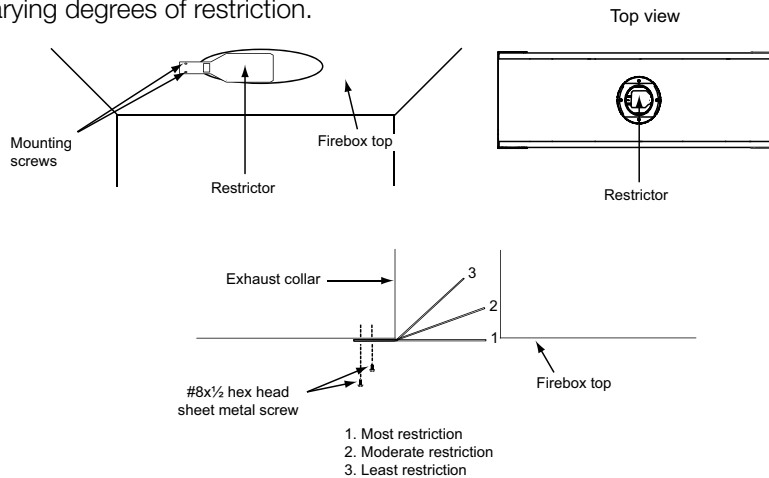
5.5 restricting vertical vents

Vertical installations may display a very active flame. If this appearance is not desirable, the exhaust outlet may be restricted with a Wolf Steel approved restrictor kit. This kit is not recommended for short vertical vent runs.

Depending on the model and/or year of your appliance, mounting holes may not exist.

5.5.1 TLV50 / TLV50_2

- If mounting holes exist, remove the screws from the firebox top, align the restrictor plate as illustrated and secure.
- If mounting holes do not exist, align the restrictor top plate as illustrated and secure using the two screws (supplied).
- Ensure the plate will pivot at the slot up into the exhaust outlet.
- Depending on the amount of restriction desired, the restrictor plate can be left flat for most restriction or bent up for varying degrees of restriction.



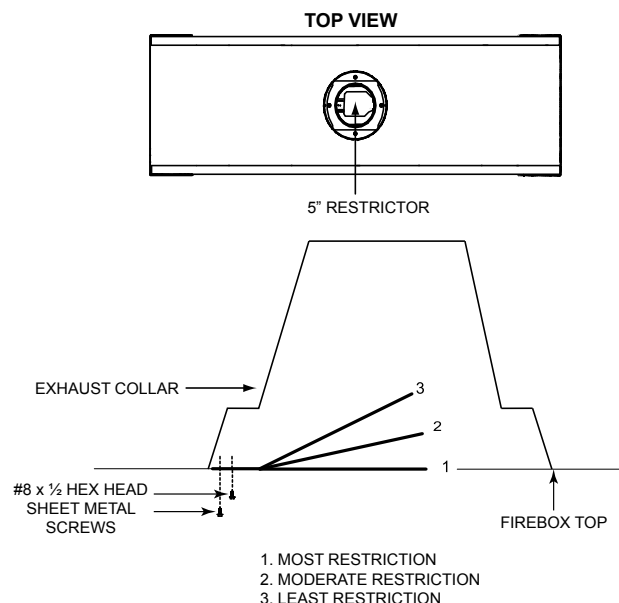
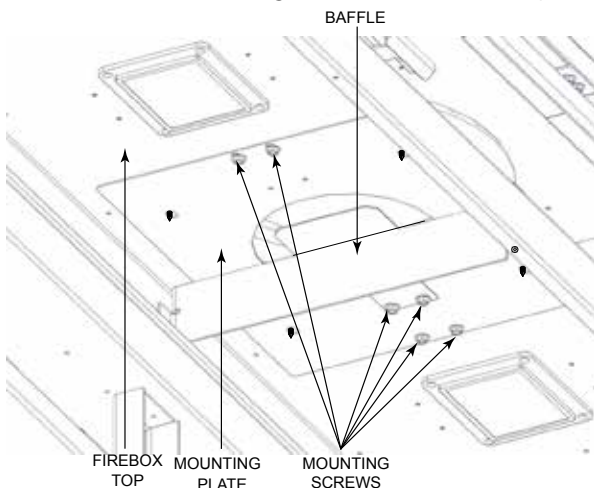
5.5.2 TLV62 / TLV62_2 / TLV74 / TLV74_2

- Secure 5" restrictor to mounting plate using 2 screws (supplied).
- Remove baffle by removing 1 screw from firebox. Set screw and baffle aside.
- Align mounting plate clearance holes (4) over existing screws protruding into firebox. For ease of access, ensure restrictor and mounting plate are installed with screws installed in Step A facing upwards (into exhaust collar).
- Install 4 self-drilling screws (supplied) (2 per side).

note:

For ease of installation, the mounting plate was designed with 2 fixed holes and 2 slotted holes.

- Reinstall baffle using screw removed in step B.



5.6 vent shield installation

IMPORTANT: For ease of installation, the front frame can be removed. The front frame must be reinstalled prior to installing the nailing tabs.

note:

The vent shield is telescopic and must be adjusted to shield the first 22" - 30" of vertical vent always used.

1. Unscrew the fasteners on the vent shield assembly. DO NOT DISCARD FASTENERS (**Figure 1**).
2. Adjust the vent shield to its maximum vertical (**Figure 2**).
3. Use the fasteners in step 1 to hold the new vent shield height (**Figure 3**).

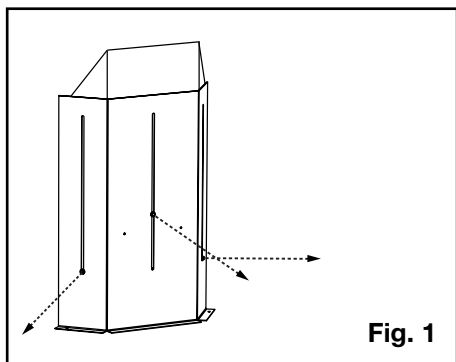


Fig. 1

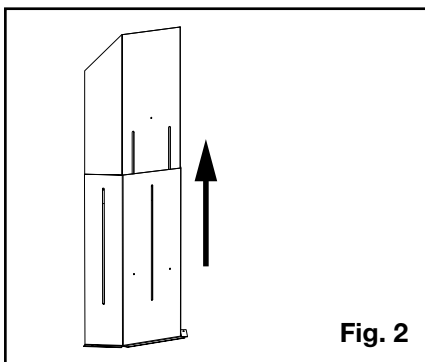


Fig. 2

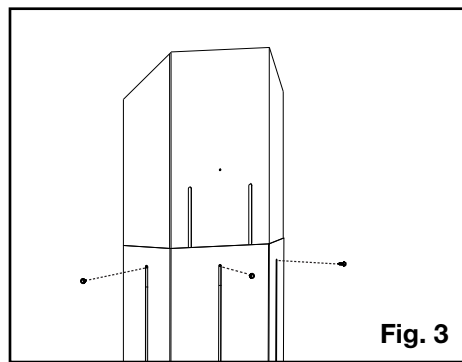


Fig. 3

4. Unscrew the fasteners as shown (**Figure 4**). DO NOT DISCARD FASTENERS
5. Use the fasteners in step 4 to secure the vent shield to the appliance (**Figure 5**).
6. Secure the vent shield with two fasteners (supplied) to the header shield (**Figure 6**).

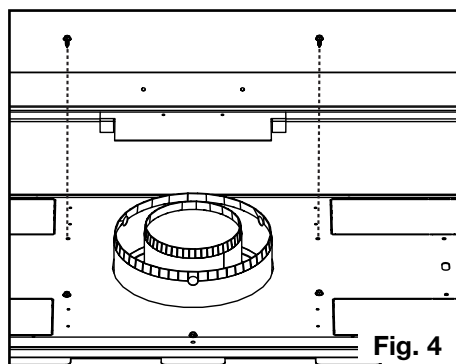


Fig. 4

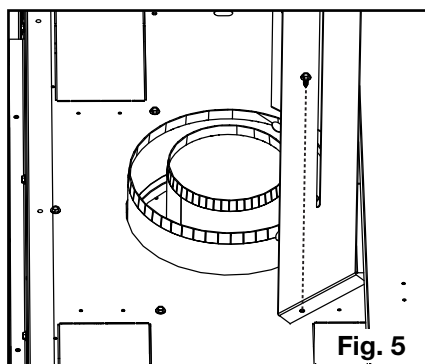
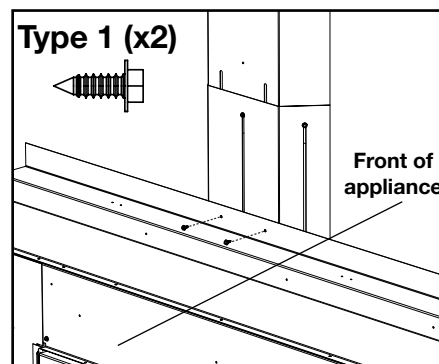
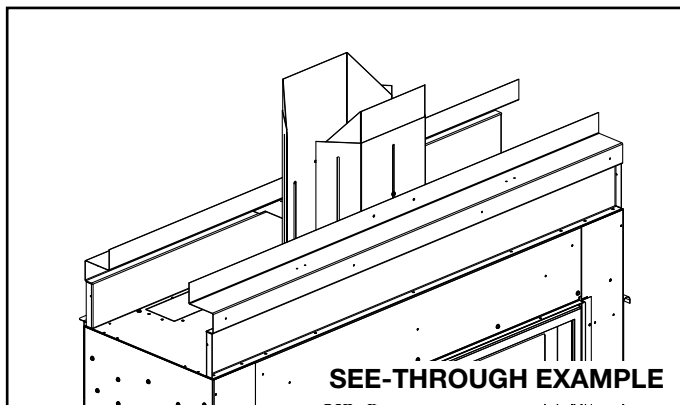


Fig. 5



FOR SEE-THROUGH APPLIANCES, REPEAT STEPS WITH THE OPPOSITE SIDE (2 vent shields required).



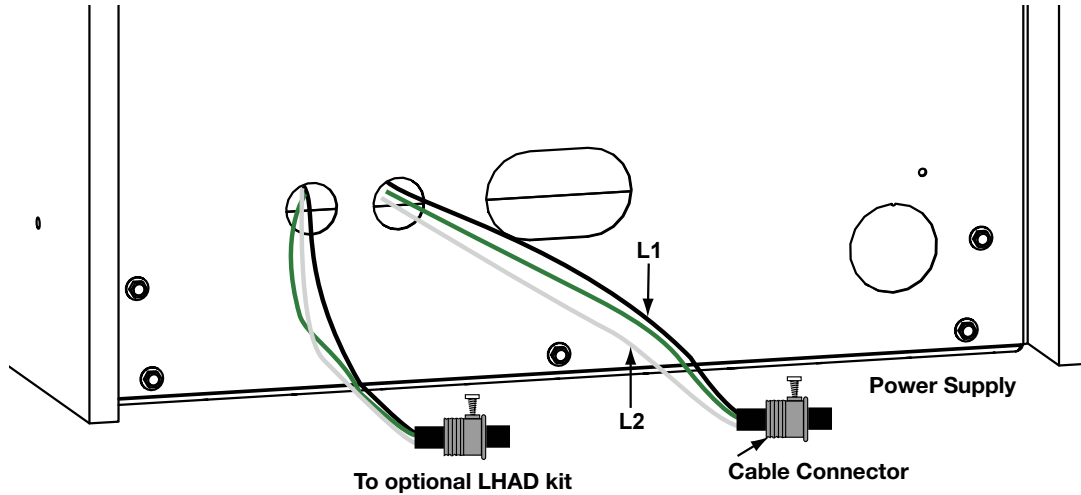
6.0 electrical information

6.1 hard wiring connection

It is necessary to hard wire this appliance.

Permanently framing the appliance with an enclosure, requires the appliance junction box to be hard wired. This appliance must be electrically connected and grounded in accordance with local codes. In the absence of local codes, use the current CSA C22.1 Canadian Electrical Code in Canada or the ANSI/NFPA 70-1996 National Electrical Code in the United States.

6.2 receptacle wiring diagram



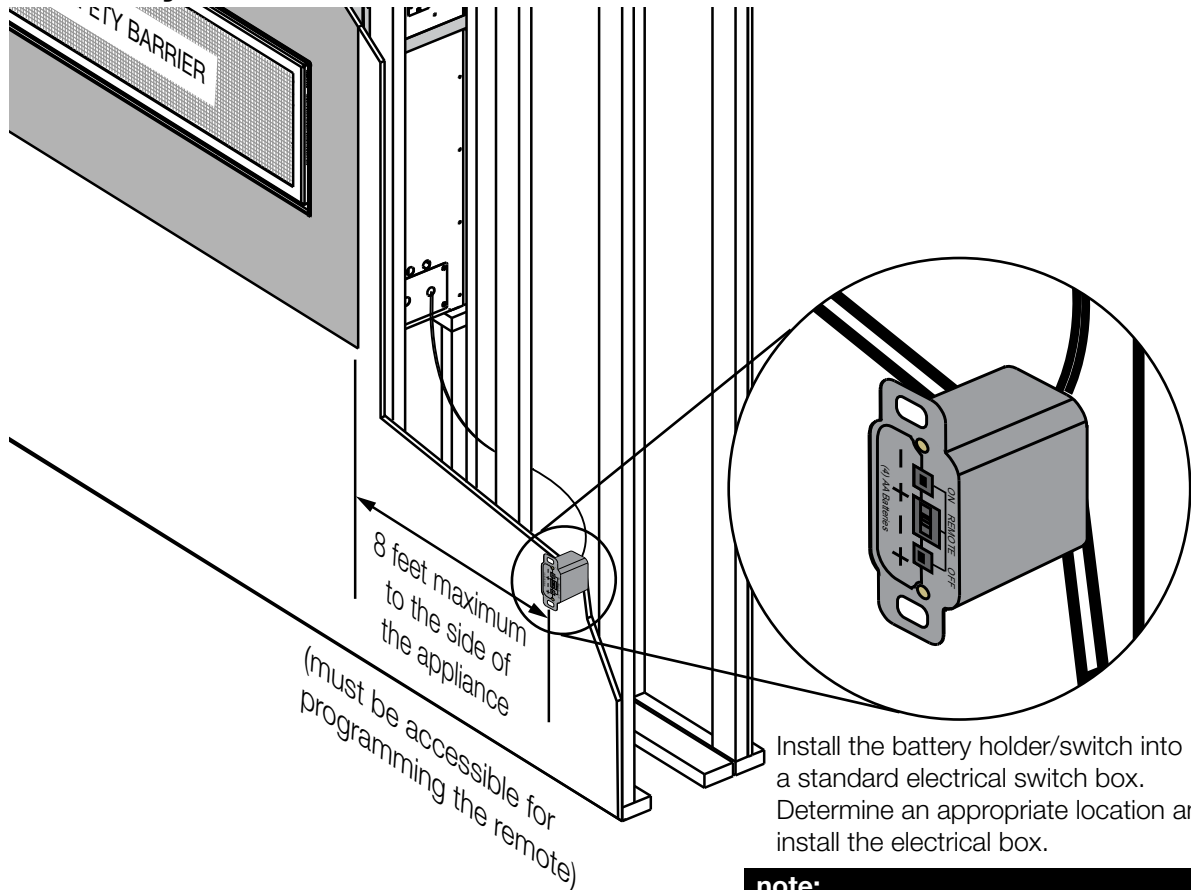
Route power supply and optional LHAD kit through the outer firebox to the receptacle mounted on the bottom of the appliance. For optional LHAD kit installation, please refer to the leaflet provided in the kit.

6.3 in the event of a power failure

If the battery holder/switch is equipped with batteries, the appliance will still have ON/OFF functions during a power failure. Refer to “operation” section in the Owner’s manual when communications between battery holder/switch and remote have been lost. The battery holder/switch will emit a “beep” sound to confirm programming has been successful once power is restored. During a power failure, if the fireplace was on, the flame height will stay at the setting prior to the failure. If off when the failure occurs and then turned on, the flame height will come on at “HI”. The flame height can then be controlled by the remote.

In most cases, your appliance will operate with simple functions available until power is restored. All other electrical features / accessories will not work during a power failure.

6.4 battery holder/switch installation

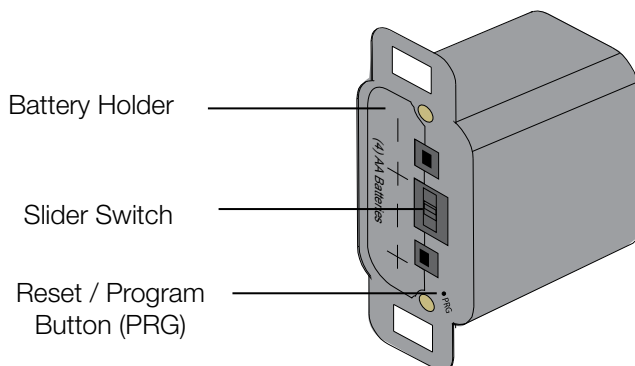


note:
Ensure the 3 position slider switch is in the "REMOTE" position (middle).

6.5 initializing the battery holder/switch for the first time

note:
The initializing process must be completed within 10 seconds of pressing the reset / program (PRG).

- A.** Install the 4 AA batteries into the battery holder, note the polarity of the batteries and insert as indicated on the cover (+/-).
- B.** Ensure the 3 position slider switch is switched to the "REMOTE" position (middle position).
- C.** Press the reset/programming button, use a small object such as a paper clip in order to reach the button marked PRG, as shown in the illustration below.
- D.** The battery holder will beep 3 times to indicate that it's ready to synchronize with the remote.
- E.** Install the 3 AAA batteries into the remote, as shown in the photograph below, then press the ON button. The battery holder will beep 4 times to indicate that the remote's command is accepted.

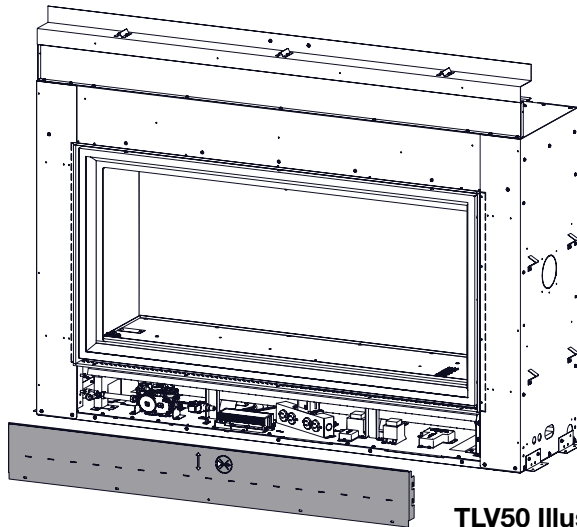


electrical information

6.6 access panel

! WARNING

- Do not use this appliance if any part has been under water. Call a qualified service technician immediately to have the appliance inspected for damage to the electrical circuit.
- Risk of electrical shock or explosion. Do not wire 110V to the valve or to the appliance wall switch. Incorrect wiring will damage controls.
- All wiring should be done by a qualified electrician and shall be in compliance with local codes. In the absence of local codes, use the current CSA22.1 Canadian Electric Code in Canada or the current National Electric Code ANSI/NFPA NO. 70 in the United States.
- Always light the pilot whether for the first time or if the gas supply has run out, with the glass door opened or removed.



TLV50 Illustrated

Before finishing in the appliance, test the operation using the remote control, cycling it through all of its different modes, see owner's manual. Once finished in, access to the control components can only be done through the inside of the appliance.

6.7 wiring

! WARNING

- Do not wire 110 volts to the valve or wall switch.

note:

This appliance is equipped with a three-prong (grounding) plug for protection against shock hazard and should be connected into a properly grounded circuit. Do not cut or remove the grounding prong from the plug.

6.8 eFIRE application controller

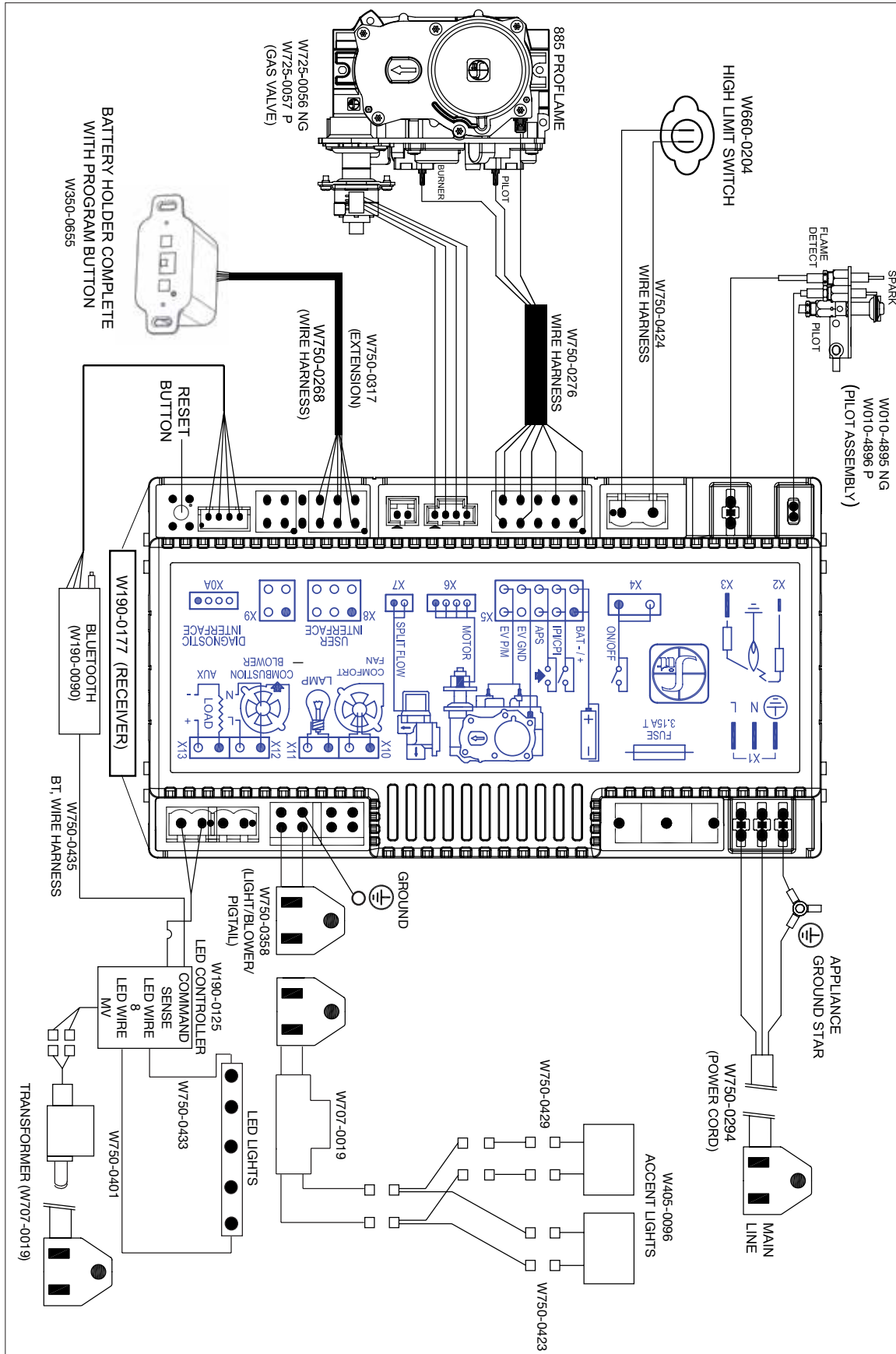
When fully equipped, the eFIRE application allows you to create every imaginable color, selecting the one that fits your current mood, or your décor with ease, the simple colour wheel tool swiftly scrolls through the full color spectrum. Napoleon's eFIRE app controls every function of your fireplace including; on/off, flame height and a timer to create a schedule for your fireplace that works for you.

Using the instructions on the eFIRE controller application website <http://napoleon.com/efire>, install the app and enjoy the features the eFIRE Controller app offers.

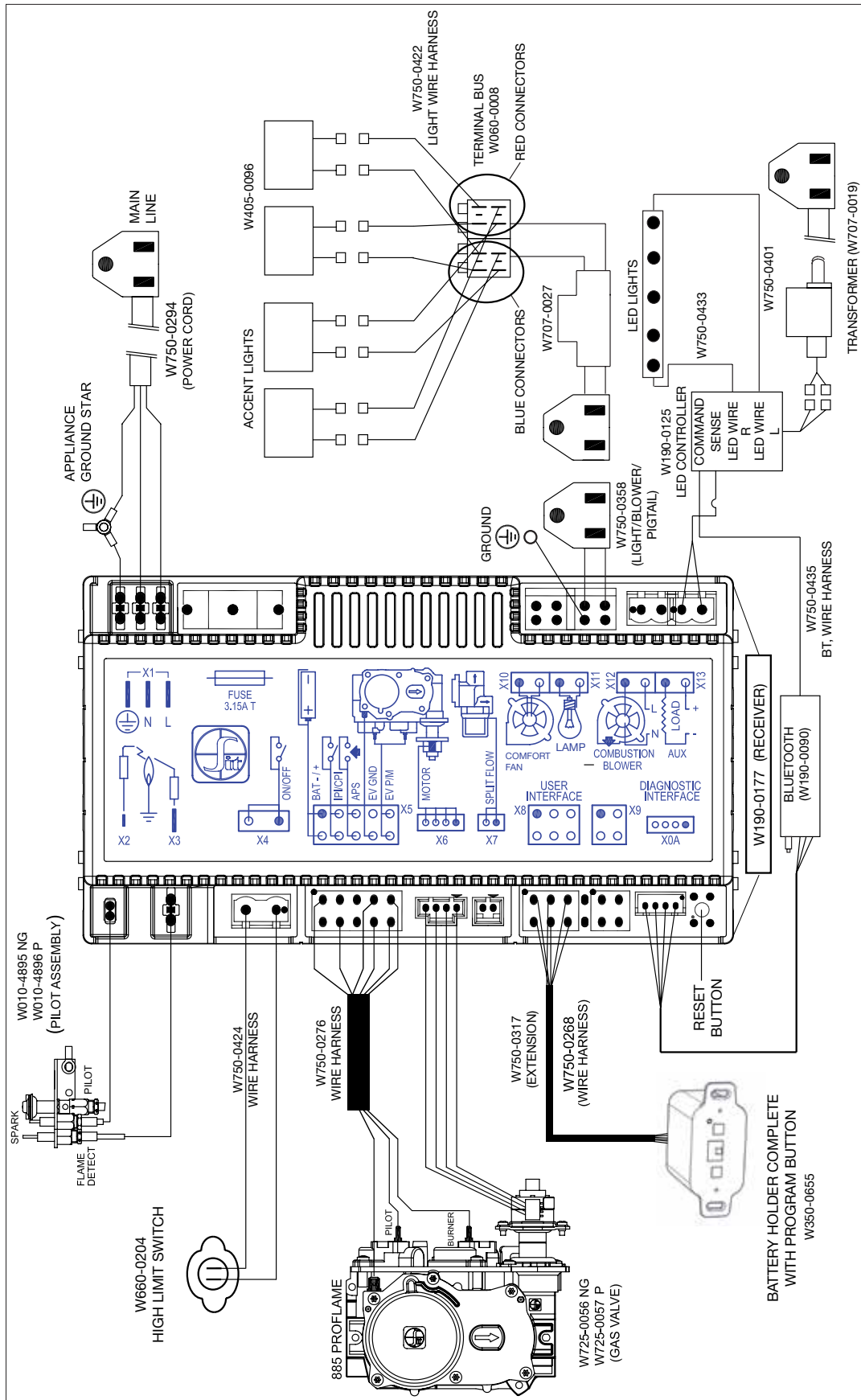
note:

The remote control is considered the master control for the appliance and can always be used to turn the appliance off (for example, in the event the user who's eFIRE controller app was controlling the appliance leaves the home).

6.8.1 TLV50 / TLV50_2 wiring diagram



6.8.2 TLV62 / TLV62_2 / TLV74 / TLV74_2 wiring diagram

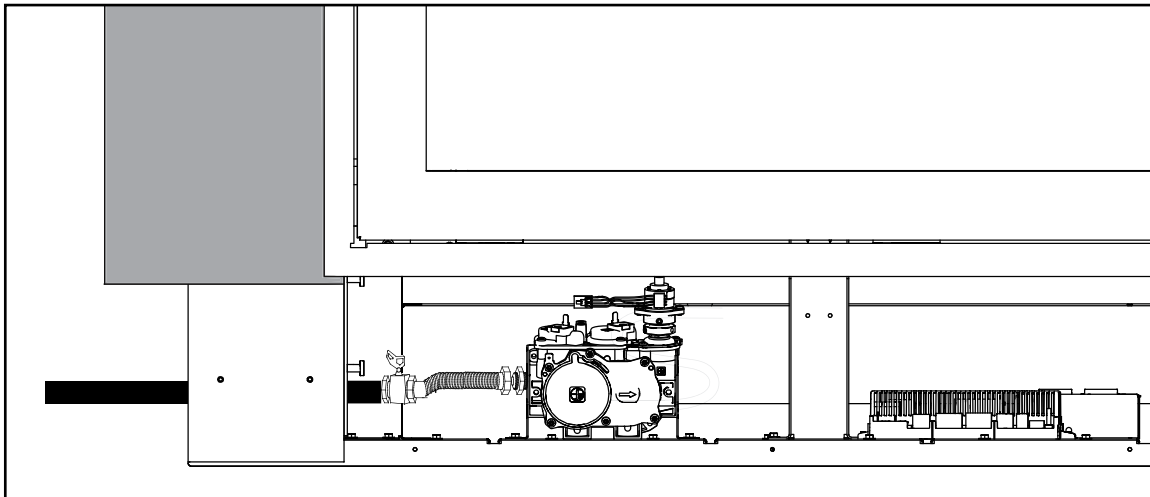


! WARNING

- Risk of fire, explosion, or asphyxiation. Ensure there are no ignition sources such as sparks or open flames.
- Support gas control when attaching gas supply pipe to prevent damaging gas line.
- Always light the pilot whether for the first time or if the gas supply has run out with the glass door opened or removed. Purging of the gas supply line should be performed by a qualified service technician. Ensure that a continuous gas flow is at the burner before closing the door. Ensure adequate ventilation. For gas and electrical locations, see “dimensions” section.
- All gas connections must be contained within the appliance when complete **(gas fireplaces only)**.
- High pressure will damage valve. Disconnect gas supply piping before testing gas line at test pressures above 1/2 PSIG.
- Valve settings have been factory set, do not change.

Installation and servicing to be done by a qualified installer.

- Move the appliance into position and secure.
- If equipped with a flex connector, the appliance is designed to accept a 1/2" (13mm) gas supply. Without the connector, it is designed to accept a 3/8" (9.5mm) gas supply. The appliance is equipped with a manual shut off valve to turn off the gas supply to the appliance.
- Connect the gas supply in accordance to local codes. In the absence of local codes, install to the current CAN/CSA-B149.1 Installation Code in Canada or to the current National Fuel Gas Code, ANSI Z223.1 / NFPA 54 in the United States.
- When flexing any gas line, support the gas valve so that the lines are not bent or kinked.
- The gas line flex-connector should be installed to provide sufficient movement for shifting the burner assembly on its side to aid with servicing components.
- Check for gas leaks by brushing on a soap and water solution. **Do not use open flame.**



note:

Connect the gas supply to the 1/2" (13mm) shut off and flex connector (supplied). Ensure gas supply is secured.

After installing the electrical wiring and gas lines, ensure to test the appliance before finishing the framing and finishing the appliance.

Before finishing in the appliance test the operation using the remote control, cycling it through all of its different modes, see “operation” section in the Owner’s manual. Should troubleshooting be required, access to the controls can be made through the pre-finishing access panel.

8.0 operation

! WARNING

- If you do not follow these instructions exactly, a fire or explosion may result causing property damage, personal injury, or loss of life.
- If applicable, always light the pilot whether for the first time or if the gas supply has run out with the glass door opened or removed.

Ensure that a continuous gas flow is at the burner before installing the door. When lit for the first time, the appliance will emit an odor for a few hours. This is a normal temporary condition caused by the “burn-in” of paints and lubricants used in the manufacturing process and will not occur again. After extended periods of non-operation, such as, following a vacation or warm weather season, the appliance may emit a slight odor for a few hours. This is caused by dust particules in the heat exchanger burning off. In both cases, open a window to sufficiently ventilate the room.

FOR YOUR SAFETY READ BEFORE LIGHTING

- Do not turn on if children or other at risk individuals are near the appliance.
- This appliance is equipped with an ignition device which automatically lights the pilot. Do not try to light the pilot by hand.
- Before operating, smell all around the appliance area for gas and next to the floor because some gas is heavier than air and will settle on the floor.
- Do not use this appliance if any part has been under water. Immediately call a qualified service technician to inspect the appliance and replace any part of the control system and any gas control which has been underwater.

WHAT TO DO IF YOU SMELL GAS

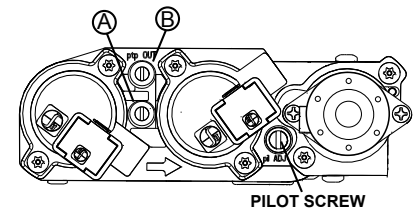
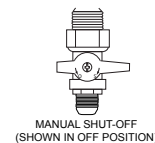
- Turn off all gas to the appliance.
- Open windows.
- Do not try to light any appliance.
- Do not touch any electric switch; do not use any phone in your building
- Immediately call your gas supplier from a neighbour's phone. Follow the gas supplier's instructions.
- If you cannot reach your gas supplier, call the fire department.

LIGHTING INSTRUCTIONS

note:

This appliance is equipped with an ignition device which automatically lights the pilot. Do not try to light the pilot by hand.

- Stop! Read the above safety information on this label.
- Remove batteries from the transmitter and set thermostat to lowest setting, if equipped.
- Turn off all electrical power to the appliance.
- Open the glass door, if equipped.
- Turn the manual shut-off valve clockwise to the “OFF” position. (Shut-off valve is located on the flex connector).
- Wait five (5) minutes to clear out any gas. If you smell gas including near the floor, **STOP!** Follow the instructions above in the “WHAT TO DO IF YOU SMELL GAS” section. If you don't smell gas; close the glass door and go to the next step.
- Turn the manual shut-off valve counter clockwise to the “ON” position.
- Turn on all electrical power to the appliance and re-install the batteries into the transmitter. Set thermostat to desired setting, if equipped.
- Turn on the remote wall switch to the appliance.
- If the appliance will not operate, follow instructions “TO TURN OFF GAS” and call your service technician or gas supplier.



TO TURN OFF GAS

- Set thermostat to lowest setting, if equipped.
- Turn off the remote wall switch to the appliance.
- Turn off all electric power to the appliance if service is to be performed.
- Turn manual shutoff valve clockwise to the “OFF” position. Do not force.

8.1 pilot-on-demand

This appliance is equipped with an “On Demand” intermittent pilot ignition system (IPI) which also includes a continuous pilot ignition (CPI) mode with an integrated seven day timer. This system minimizes your appliance’s carbon footprint as well as reducing its annual fuel consumption and operating costs.

In IPI mode, the pilot will ignite prior to the main burner, when the appliance is turned on using a switch, remote or from a call for heat with the thermostat (if equipped). Once the appliance is turned off (or the call for heat is satisfied), the main burner and pilot flame will shut down.

The continuous (CPI) mode is intended to enhance the performance of the appliance during the startup phase in colder climates and extreme weather by keeping the system warm when the main burner is not in use. However, the timer feature provides the convenience that the appliance automatically switches off the pilot when the appliance has not been used for seven days to save unnecessary fuel consumption.

When the CPI function is turned on, the pilot will remain on after the main burner is turned off. A timer will then begin the countdown for approximately seven days before shutting off the pilot if the appliance is not used. This countdown will reset anytime the appliance main burner is used. Therefore, if the appliance is regularly used day to day, the pilot will remain on. However, this system does not require the user to remember to turn the pilot off as summer approaches and avoids unnecessary fuel consumption while still readily turned back on when the cold weather returns.

Your appliance may be equipped with an ACS or remote control device (Fig. 1) which enables you to select IPI or CPI modes.

If your appliance is equipped with an ACS switch, it has the option to change modes:

Fig. 2: Flipping the switch ON turns on the continuous pilot with timer and flipping the switch OFF turns on the intermittent pilot ignition.

Fig. 3: If installed with the blue wire facing up, flipping the switch UP turns on the continuous pilot with timer and flipping the switch DOWN turns on the intermittent pilot ignition. If installed with the white wire facing up, the opposite is true.

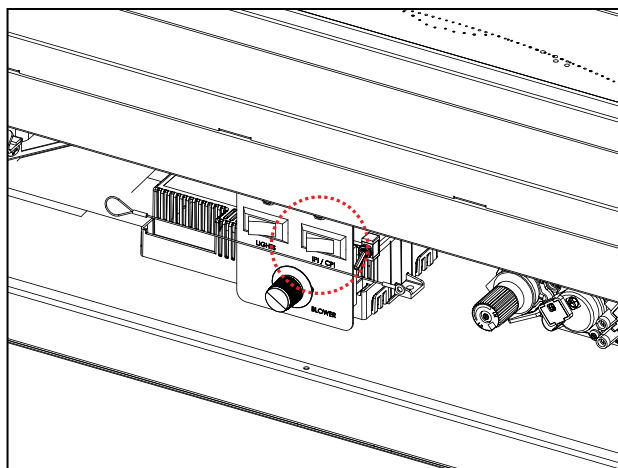
If your appliance is equipped with a remote control device capable of selecting IPI / CPI modes, refer to remote operating instructions.

In order to start your pilot, turning the main burner on with the switch, remote or thermostat and then turning it off will reactivate the continuous pilot mode and reset the seven day timer.

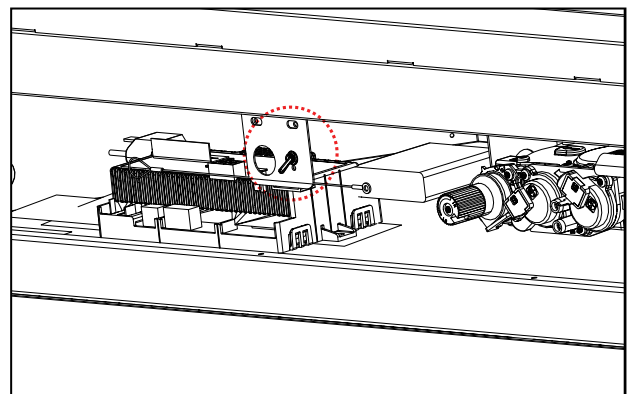
For further information, refer to www.napoleon.com/pilotondemand.



(Fig. 1)



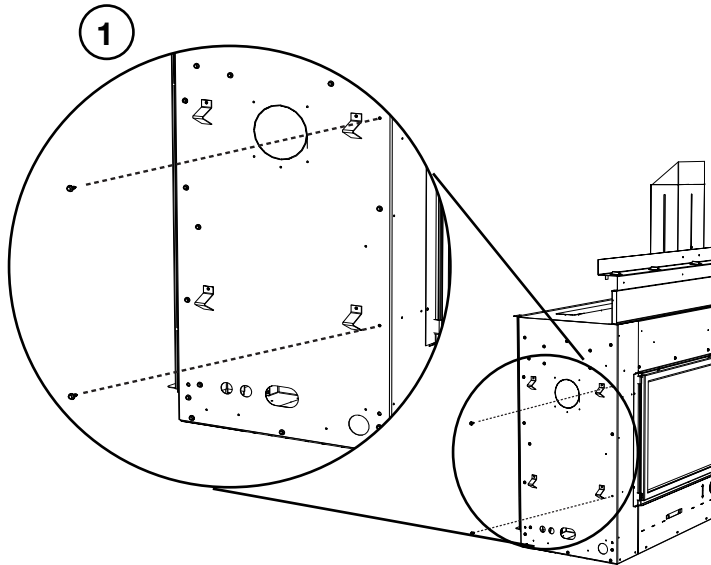
(Fig. 2)



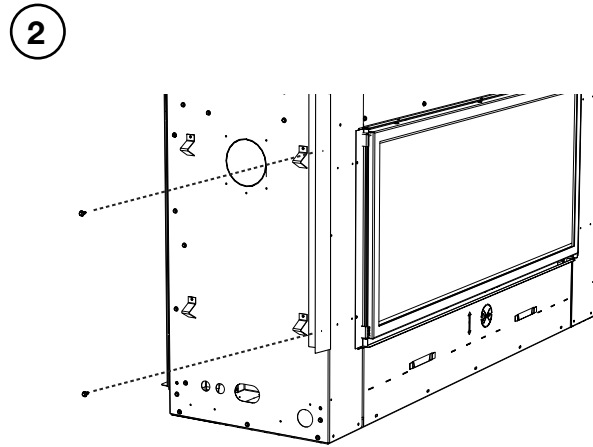
(Fig. 3)

9.0 nailing tab installation

IMPORTANT: If the front frame was removed, it must be reinstalled prior to installing the nailing tabs.

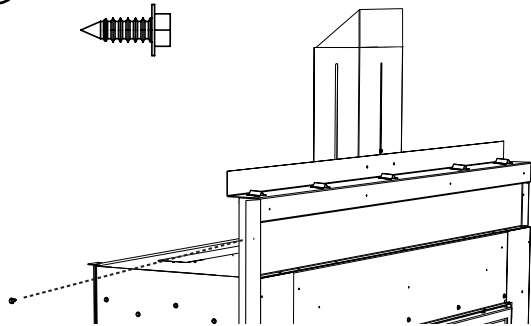


Remove the screws from the appliance.
DO NOT DISCARD.



Align the nailing tab with the holes on the appliance, secure with the screws in step 1.

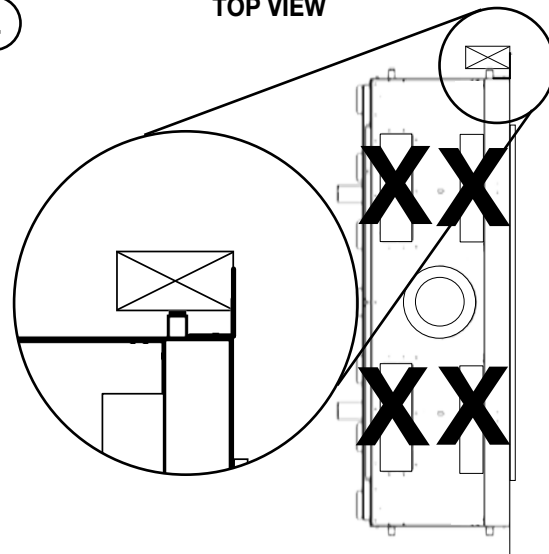
3 Type 1 (x2)



Secure to the upper front frame using 2 screws (supplied).

4

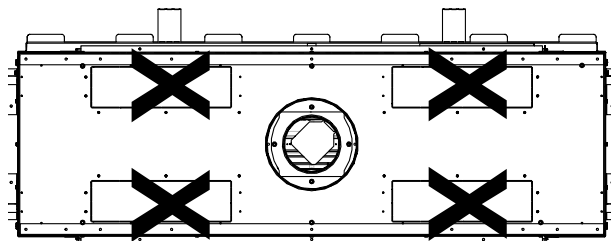
TOP VIEW



note:

See “venting”, “electrical information” and “gas installation” sections prior to finish framing.

IMPORTANT: Do NOT remove the knockouts unless installing Dynamic Heat Control™/Ducted Heat Management™. If damaged or removed without Dynamic Heat Control™/Ducted Heat Management™, appliance will overheat and will cause a fire hazard.



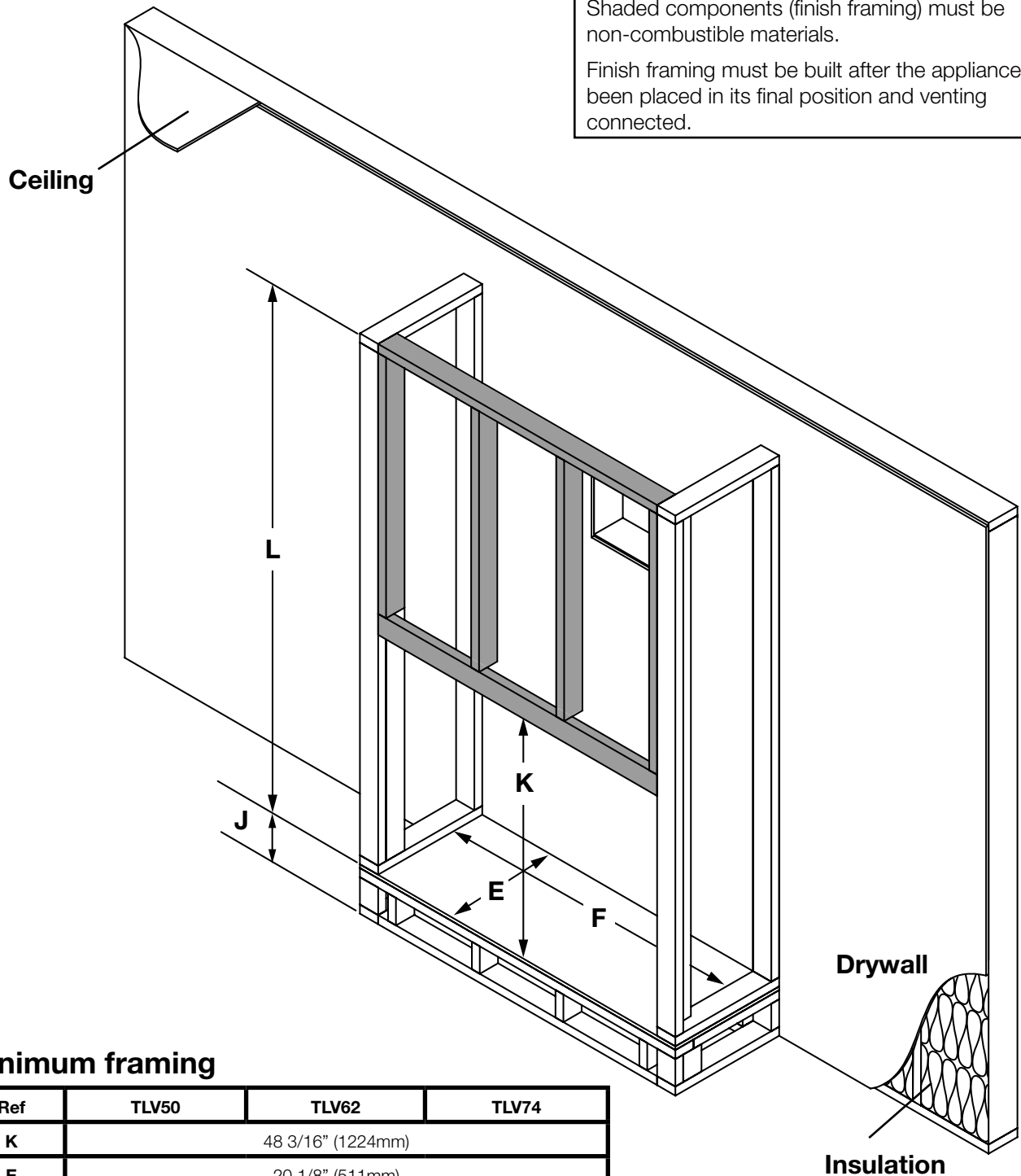
10.0 finish framing - after appliance installation EN

10.1 framing with non-combustibles single-sided flush

note:

Shaded components (finish framing) must be non-combustible materials.

Finish framing must be built after the appliance has been placed in its final position and venting connected.



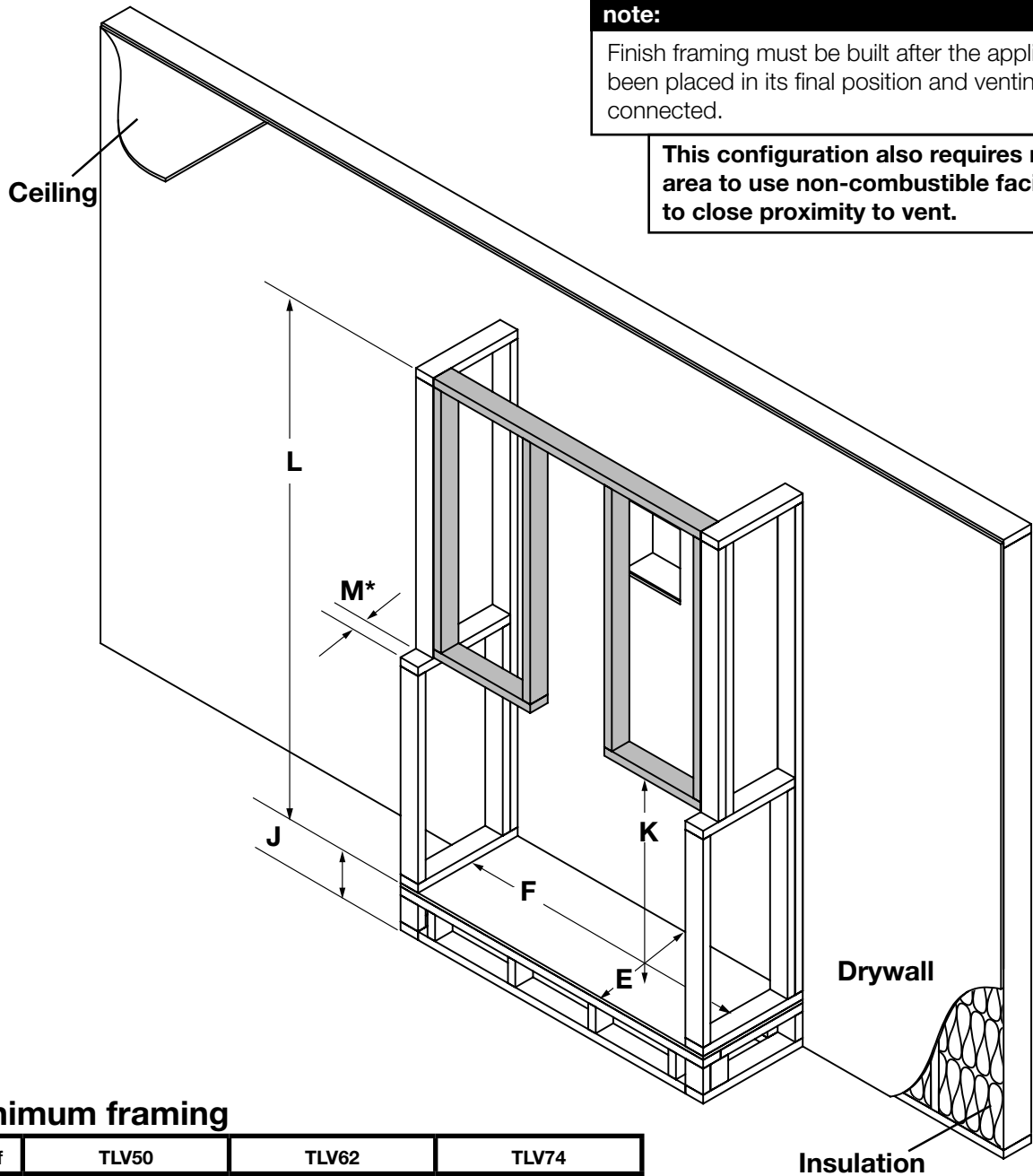
minimum framing

Ref	TLV50	TLV62	TLV74
K	48 3/16" (1224mm)		
E	20 1/8" (511mm)		
F	65 13/16" (1672mm)	77 13/16" (1976mm)	89 13/16" (2281mm)
J	Optional - Appliance does not need to be elevated above floor		
L	73" (1854mm)	91" (2311mm)	

note:

The TLV series requires a minimum enclosure/ceiling height, as illustrated (dimension L), measured from the bottom of the appliance. For temperature requirements, this area must be left unobstructed. Some venting configurations that require more vertical rise will require a larger enclosure to provide minimum vertical clearance between vent pipes and combustibles.

EN **finish framing - after appliance installation**
recessed



note:
Finish framing must be built after the appliance has been placed in its final position and venting connected.

This configuration also requires recess area to use non-combustible facing due to close proximity to vent.

minimum framing

Ref	TLV50	TLV62	TLV74
K	48 3/16" (1224mm)		
E	20 1/8" (511mm)		
F	65 13/16" (1672mm)	77 13/16" (1976mm)	89 13/16" (2281mm)
J	Optional - Appliance does not need to be elevated above floor		
L	83" (2108mm)	91" (2311mm)	
M*	3" (76mm)		

*Can only be increased to 4" max by building a protrusion.

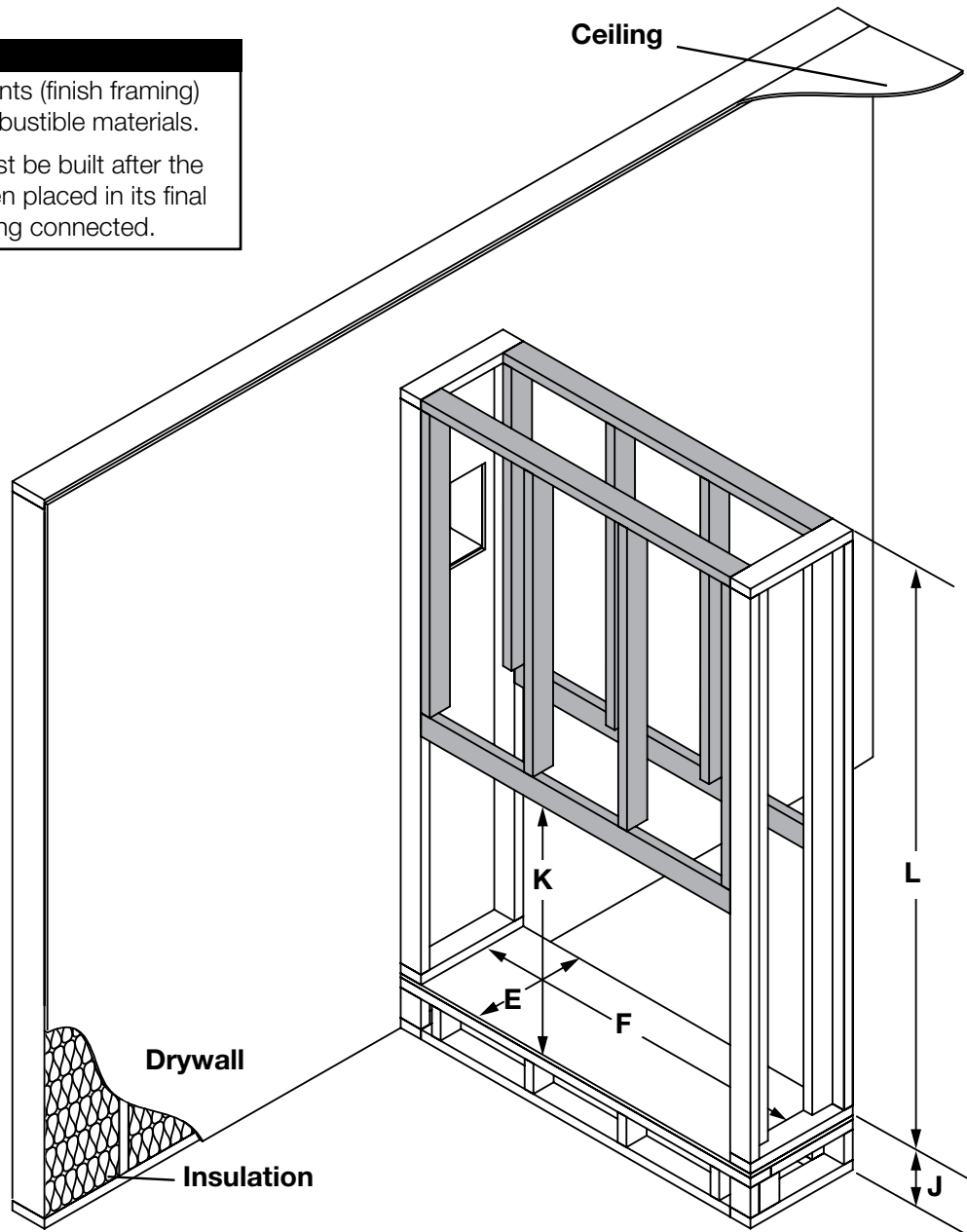
note:

The TLV series requires a minimum enclosure/ceiling height, as illustrated (dimension L), measured from the bottom of the appliance. For temperature requirements, this area must be left unobstructed. Some venting configurations that require more vertical rise will require a larger enclosure to provide minimum vertical clearance between vent pipes and combustibles.

see-through flush

note:

Shaded components (finish framing) must be non-combustible materials.
 Finish framing must be built after the appliance has been placed in its final position and venting connected.



minimum framing

Ref	TLV50_2	TLV62_2	TLV74_2
K	48 3/16" (1224mm)		
E	16 3/16" (411mm)		
F	65 13/16" (1672mm)	77 13/16" (1976mm)	89 13/16" (2281mm)
J	Optional - Appliance does not need to be elevated above floor		
L	73" (1854mm)	91" (2311mm)	

note:

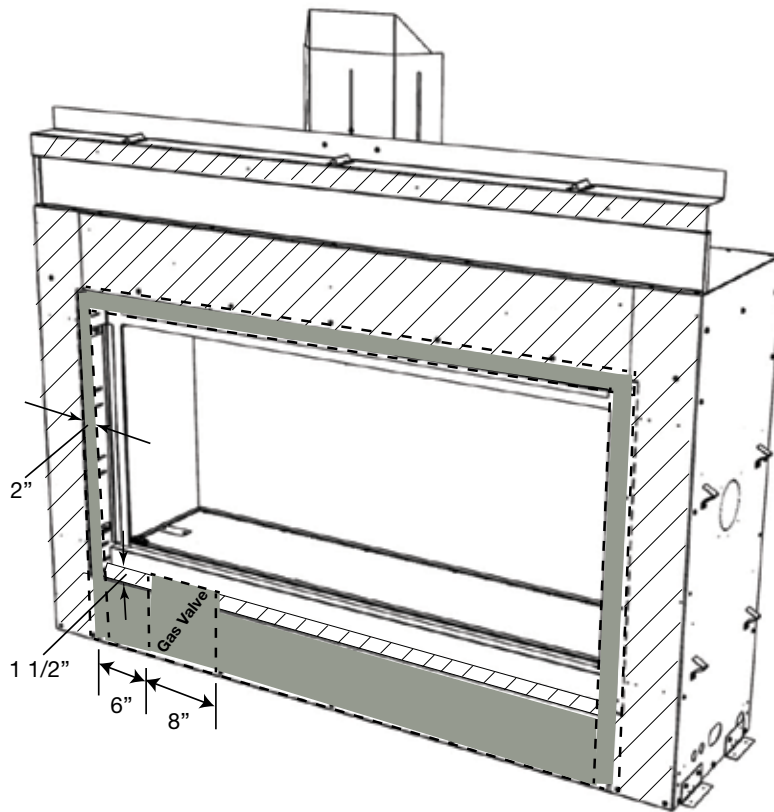
The TLV series requires a minimum enclosure/ceiling height, as illustrated (dimension L), measured from the bottom of the appliance. For temperature requirements, this area must be left unobstructed. Some venting configurations that require more vertical rise will require a larger enclosure to provide minimum vertical clearance between vent pipes and combustibles.

11.0 finishing

! WARNING

- Risk of fire!
- Never obstruct the front opening of the appliance.
- The front of the appliance must be finished with any non-combustible materials such as brick, marble, granite, etc., provided that these materials do not go below the specified dimension, as illustrated.
- Do not strike, slam, or scratch. Do not operate appliance with glass removed, cracked, or scratched.
- Facing and/or finishing material must never overhang into the appliance opening.
- The glass door assembly is a safety device designed to pivot forward when relieving excess pressure that might occur. Finishing or other materials must not be located in the opening surrounding the door as this will interfere with the doors ability to relieve pressure.
- If applicable, drywall dust will penetrate into the blower bearings, causing irreparable damage. Care must be taken to prevent drywall dust from coming into contact with the blower or its compartment. Any damage resulting from this condition is not covered by the warranty policy.

11.1 fastener placement restriction



No fasteners permitted.

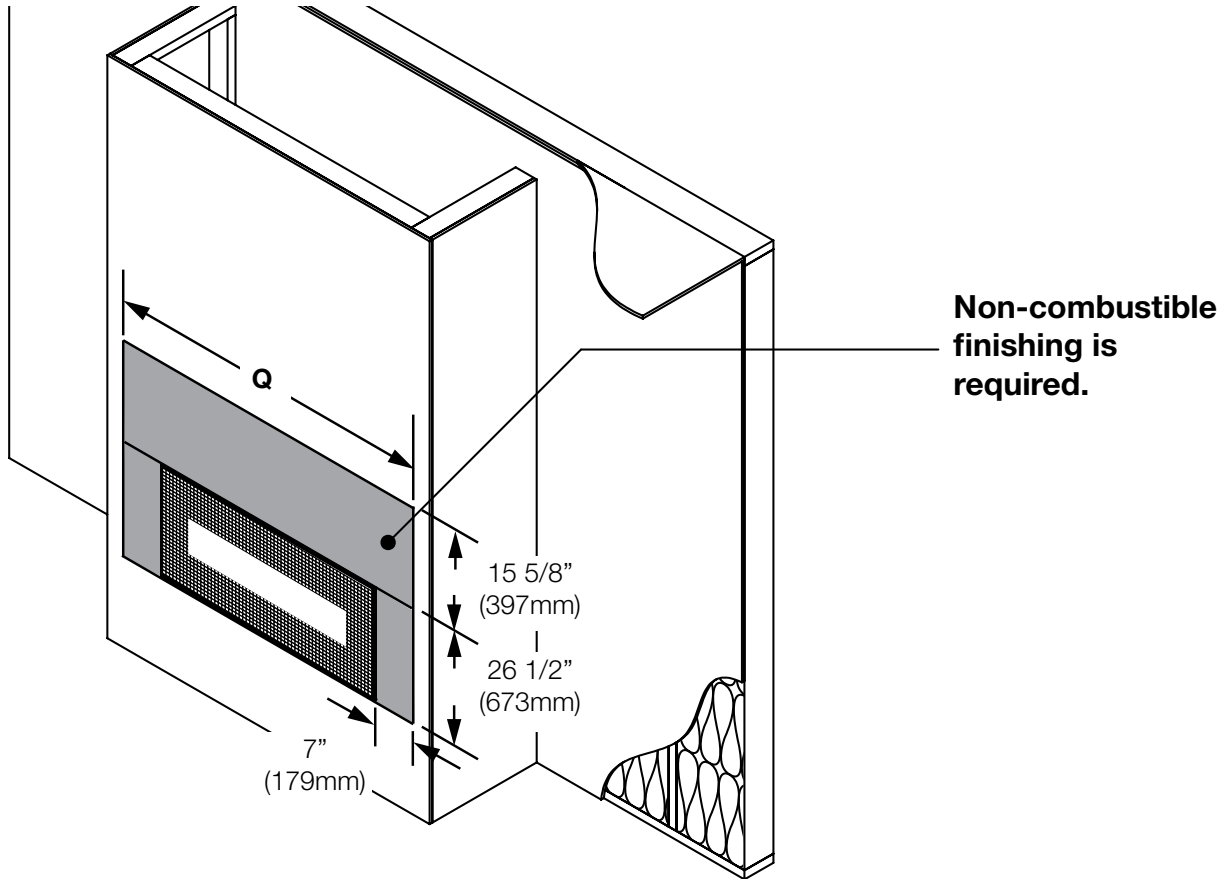


No fasteners permitted with greater than 3/4" penetration into appliance.

When securing non-combustibles, we suggest using high temperature construction adhesive within 2" (5.08cm) above and to the sides from the appliance opening and 8" (20.3cm) below the appliance opening. **DO NOT SCREW IN THE RESTRICTED AREA AS THIS COULD DAMAGE THE INTERNAL COMPONENTS OF THE APPLIANCE THAT CAN CAUSE INJURY OR DEATH.**

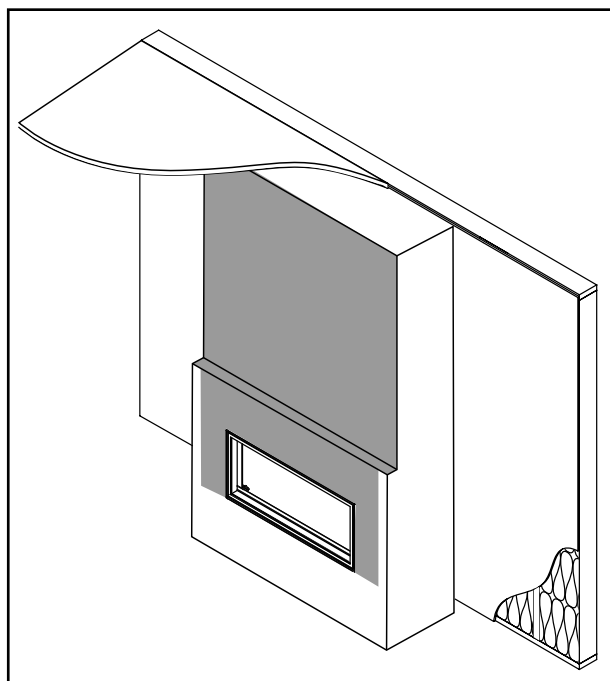
Maximum screw length to be used outside the restricted screw area is 3/4" greater than finishing material thickness.(i.e. no fastener permitted that penetrates the appliance more than 3/4"

11.2 finishing with non-combustibles



minimum non-combustible

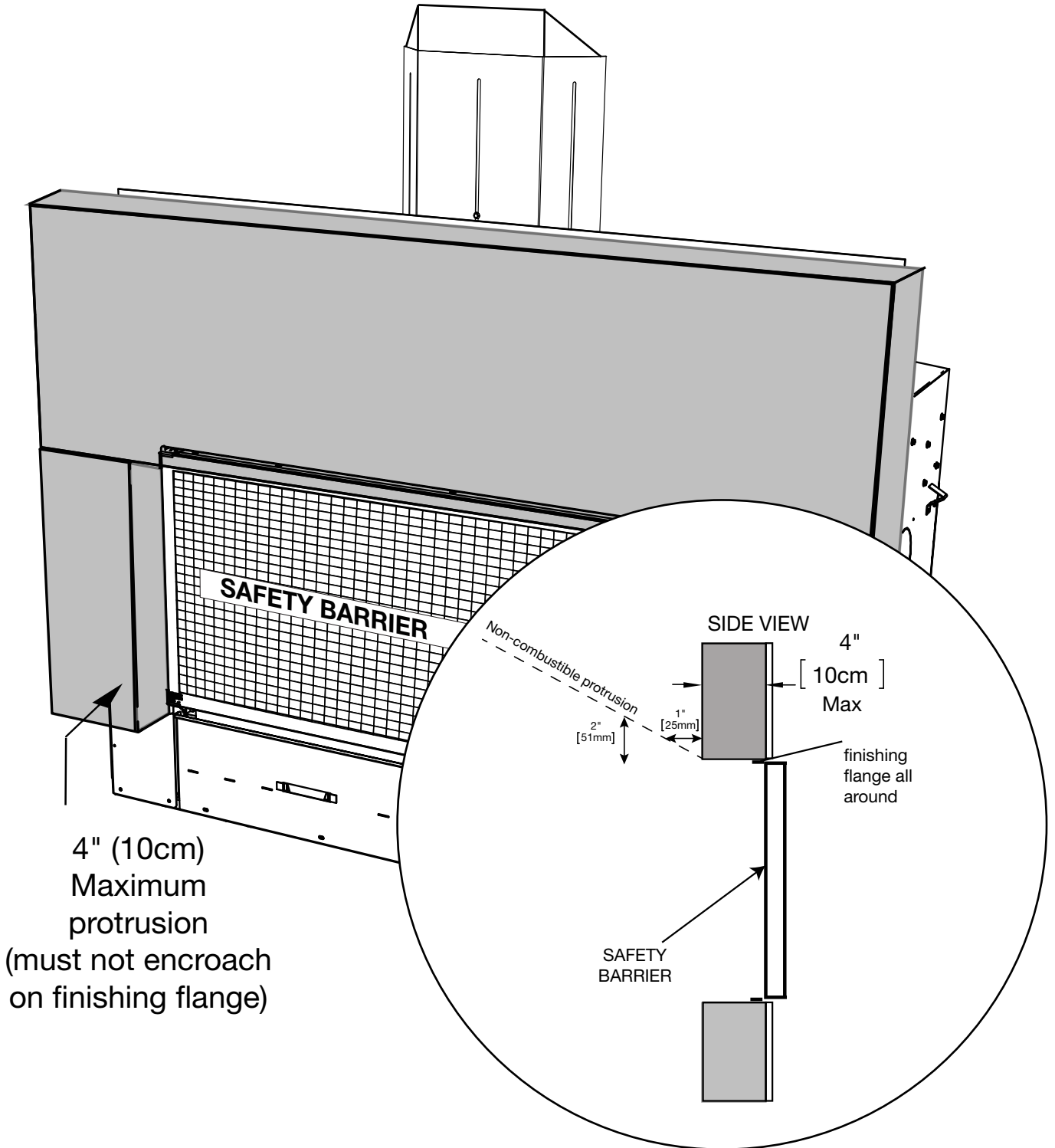
	TLV50 / TLV50_2	TLV62 / TLV62_2	TLV74 / TLV74_2
Q	66 9/16" (1691mm)	78 9/16" (1991mm)	90 9/16" (2300mm)



SHADED AREA MUST BE NON-COMBUSTIBLE MATERIALS. Recessed installation **requires** recess material to use non-combustible facing due to close proximity to vent.

! WARNING

- Non-combustible finishing material tight to the frame around the safety barrier (PSB) frame must not project more than 4" (10cm) from the face of the safety barrier (above the door and sides only). If greater projections are needed, increase the clearance to the sides and top by 2" (51mm) for every 1" (25mm) projection.



11.3 installing non-combustible board

! WARNING

- The surface above the appliance gets very hot. If proper finishing materials are not used, cracking can occur.
- See fastener placement restrictions. Longer screws may damage gas line and/or internal components.

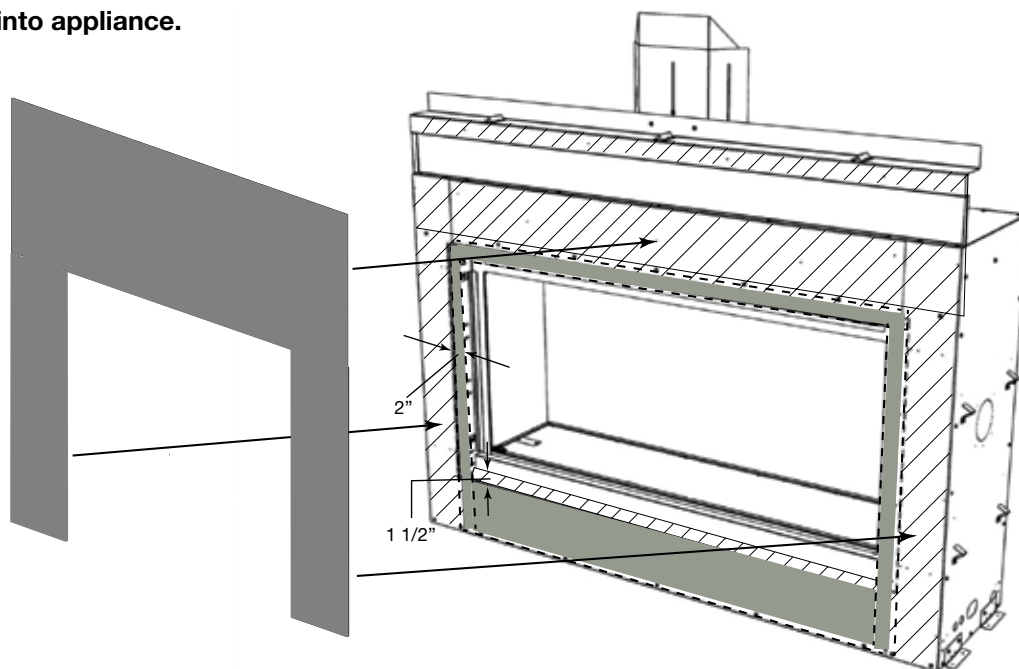
1. Align the top non-combustible panel against the appliance and secure in place with the drywall screws.
2. Align the side non-combustible panels against the appliance and secure in place with the drywall screws.



No fasteners permitted



No fasteners permitted with greater than 3/4" penetration into appliance.



note:

The 15 5/8" (39.7cm) above and the 7" (178mm) on either side of the appliance opening must not be finished with any combustible materials.

Joint Compound where required

Joint compounds such as Durabond 90 and tapes that are resilient to heat and cracking should be used when taping and mudding seams.

Setting tiles and grouting

We recommend you use tiles with a dry butt joint to be installed using a two-part mortar with an acrylic latex additive, such as Mapei Kerabond/Kerlastic, to allow for slight movement in the normal operation of the appliance.

If grout is used between the tiles, a polymer-based grout, such as Mapei Ultracolor plus, is recommended.

Primer/Paint

For a painted surface, use a 100% acrylic latex primer and finish coat. Light coloured paints may discolour.

note:

We recommend using high temperature adhesive and clamping to adhere drywall to lower access panel. Secure with fasteners no longer than 3/4", see "fastener placement restriction" section. Once adhesive has cured, remove sharp edge of fastener to allow access.

11.4 minimum combustible mantel clearances

⚠ WARNING

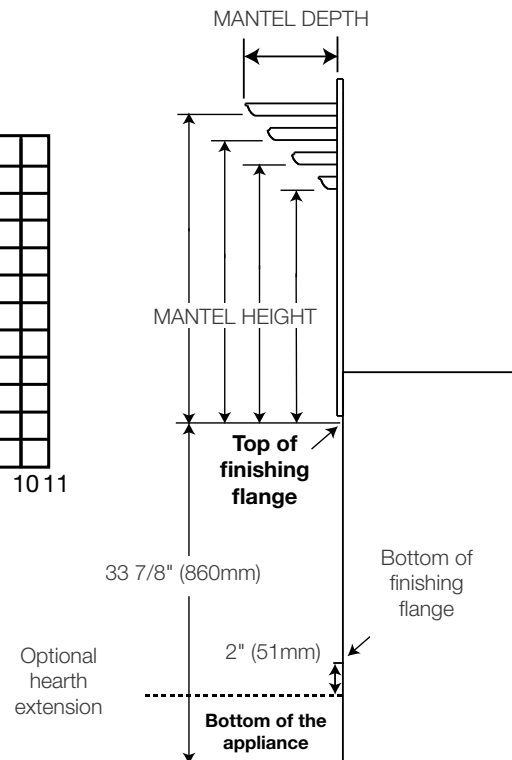
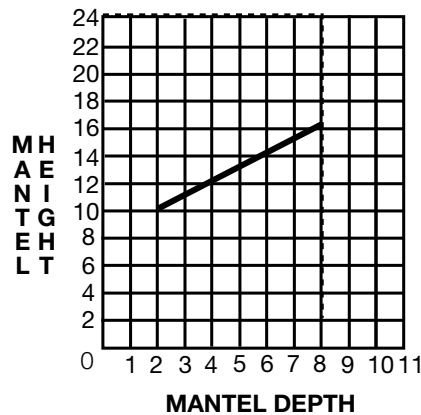
- Risk of fire. Maintain all specified air space clearances to combustibles. Failure to comply with these instructions may cause a fire or cause the appliance to overheat. Ensure all clearances (i.e. back, side, top, vent, mantel, front, etc.) are clearly maintained.
- When using paint or lacquer to finish the mantel, the paint or lacquer must be heat resistant to prevent discolouration.
- Installing a television or other electronics above the appliance may cause discolouration, melting, or damage to the electronics. Use clearances as guidelines and refer to your TV manufacturer's instructions for further information.

Combustible mantel clearance can vary according to the mantel depth. Use the graph to determine the clearance needed.

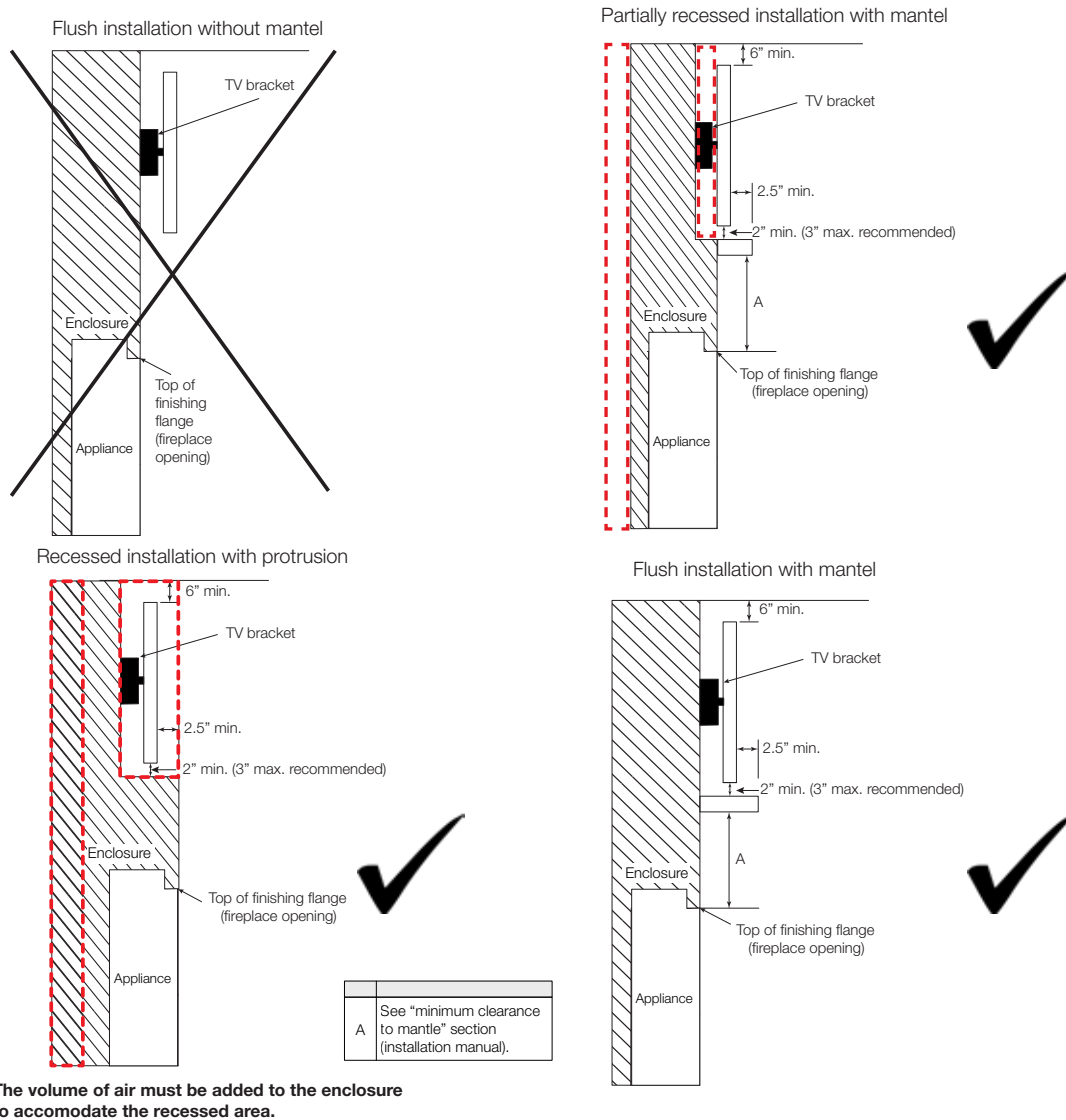
Installing a mantel between this appliance and electronics or other materials that may be sensitive to heat, will reduce the effect of direct heat on them. Ensure mantel is properly sized (width & depth) to suit the object being mounted above.

Follow mantel height restrictions for proper clearance according to the depth of the mantel.

A non-combustible mantel is considered a non-combustible protrusion, see "finishing" for protrusion restrictions.



11.5 TV mounting restrictions (without DHC™)

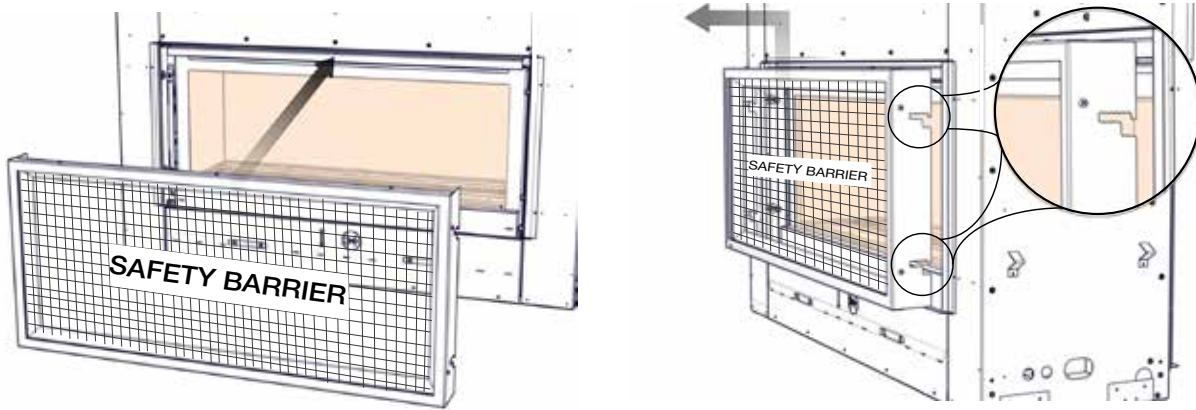


note:

- These are recommended minimum clearances only and are in supplied in good faith and not a guarantee of compliance with TV manufacturers' maximum allowable operating temperatures. Always comply to TV manufacturers' requirements.
- **TV temperatures must be validated at the time of installation** as air flow characteristics within the room can vary and maximum acceptable operating temperatures can vary from appliance to appliance. TVs cannot be used where the TV temperature exceeds the manufacturer's maximum allowable operating temperatures (see TV manufacturer's specifications).
- Mantel height and depth must conform to mantel clearance requirements specified in this manual, see "minimum clearance to combustible mantel" section in installation manual.
- Dimension "A" the gap between the top of the finishing flange and the bottom of the TV are taken from the top of the fireplace opening.
- TV temperatures may be further reduced by increasing the horizontal distance between the front of the TV and the front edge of the mantel or by increasing dimension "A". However, increasing the gap between the top of the mantel and the bottom of the TV beyond the maximum recommended figure, typically results in higher temperatures. Minimum clearance between the mantel and bottom of the TV should be maintained to allow air circulation below and behind the TV.

11.6 safety barrier installation / removal

- A. To remove the safety barrier from the appliance carefully lift it up and off the shoulder screws.

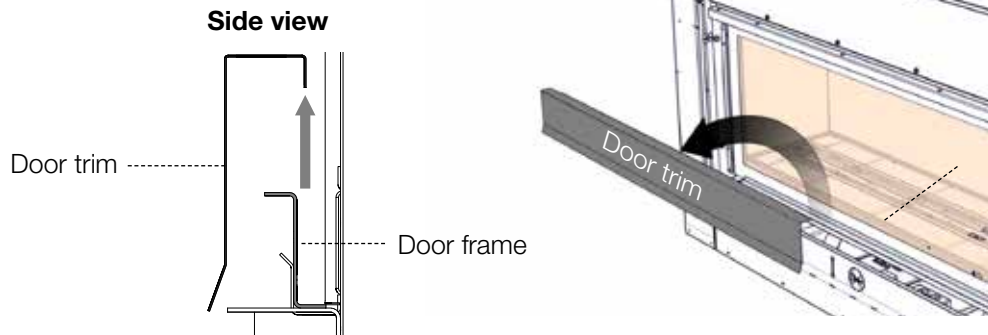


- B. Place the safety barrier onto the appliance by lifting it up and hooking onto the side shoulder screws. Adjust to fit snug against the finish material. Ensure safety barrier is installed correctly.

11.7 firebox glass door installation / removal

! WARNING

- Do not insert fingers in the gap between the door and the door frame, or between the spring latches & door. there is a risk of injury due to the spring mechanism. Do not insert fingers in the spring door latch mechanism.



TLV50 Illustrated

- A. Remove the safety screen assembly, refer to the “safety screen installation / removal” section for details
- B. Remove the door trim by carefully lifting it up and off from behind the bottom frame of the glass door.
- C. For door removal, locate the top and bottom door latches. Pull latches forwards and away to disengage door latches.

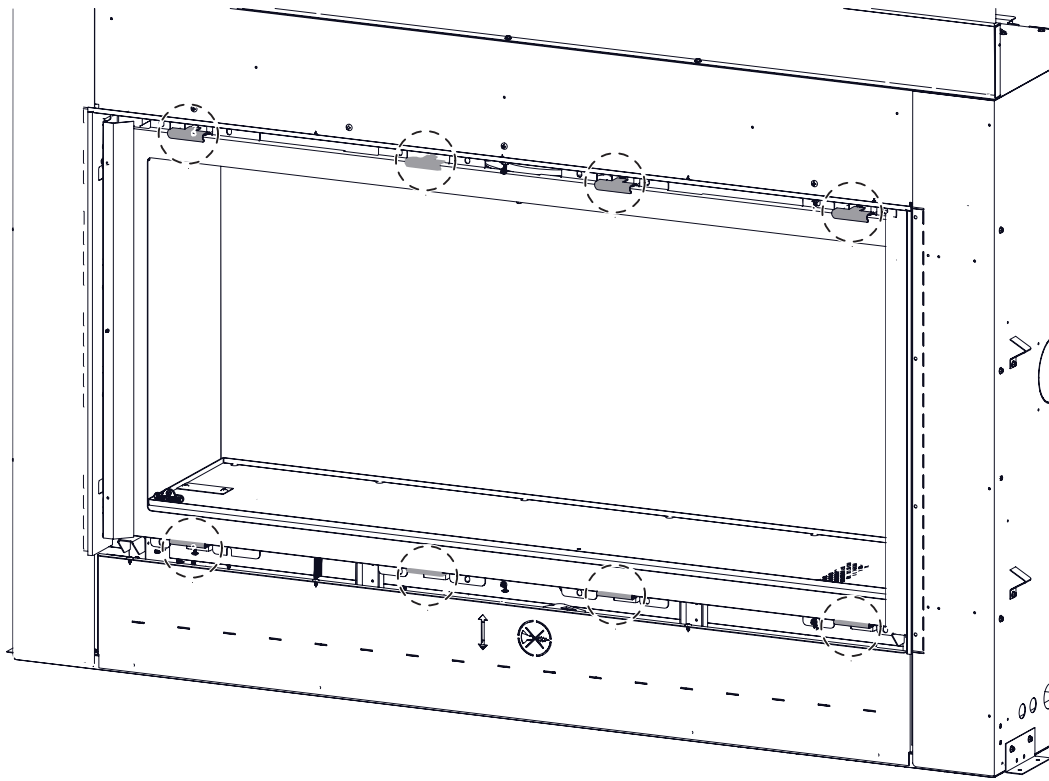
note:

Ensure to leave one hand on the glass door during entire door removal.

- D. Tilt the top of the door forwards 90 degrees, then lift it up and out of the door latches.
- E. Reverse these steps to re-install the door, ensure the top and bottom door latches are properly engaged prior to releasing the door.

note:

Ensure the door opens freely and closes sealed.



TLV50 Illustrated

IMPORTANT: Once latches are engaged, test to make sure that the door is sealed.

11.8 media installation / removal

! WARNING

- Clean the glass media prior to installation. Before applying the cleaned glass, ensure that it is dry.
- If replacing, use only the replacement glass media available from your local authorized dealer / distributor.
- Glass media over the burner ports may cause flame lifting and sooting problems. Adjust as necessary.
- Do not place any media (glass or vermiculite) in or around the pilot opening and/or on the burner ports. This will interfere with the pilot operation.

Cleaning Glass Media

Glass media may have a fine oil residue that needs to be cleaned prior to installation. Clean the glass with mild dish soap, drain, rinse thoroughly and dry before placing over the burner.

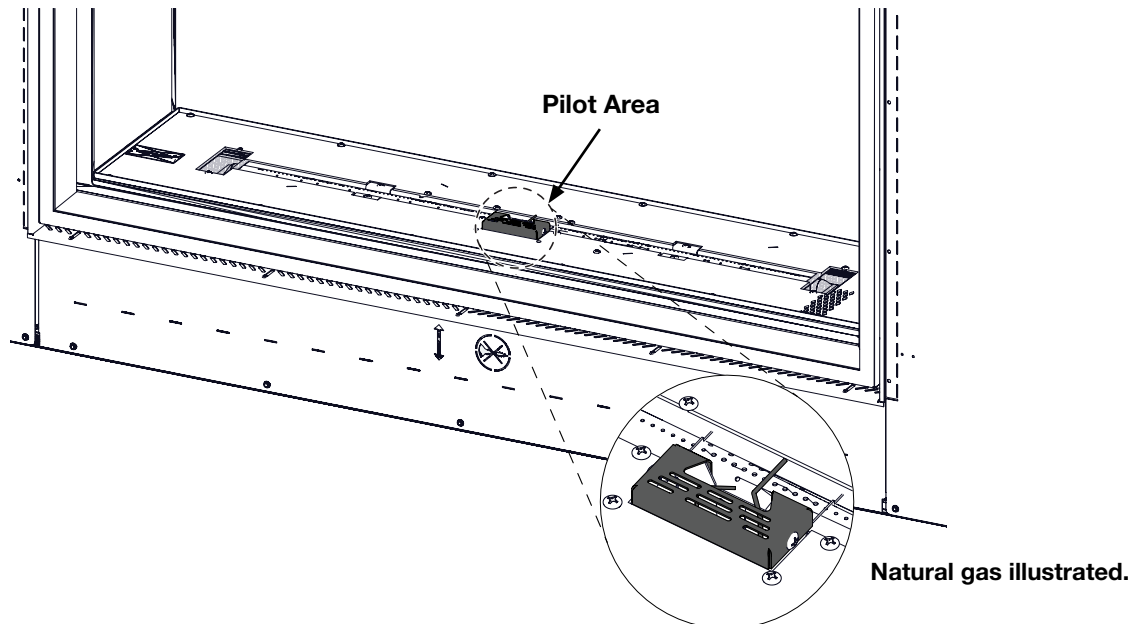
note:

Do not use more media than what was supplied with the appliance. Do not place media directly onto the burner **(NG models only)**.

Media should be installed across the burner tray and a small to moderate amount of media placed on the burner itself and, if necessary, adjusted to achieve a pleasing flame appearance. **Never place excessive media on the burner as this can result in carboning or an unappealing flame characteristic. For smaller units, it is recommended not to put media on the burner ports themselves as the difference in flame pattern can be particularly noticeable.**

Never place media in the pilot housing or over the pilot. Ensure no glass or media falls into the pilot opening. If this happens, insert a clean bag into your vacuum cleaner and vacuum out the media. Replacement media can be purchased from your local dealer / distributor.

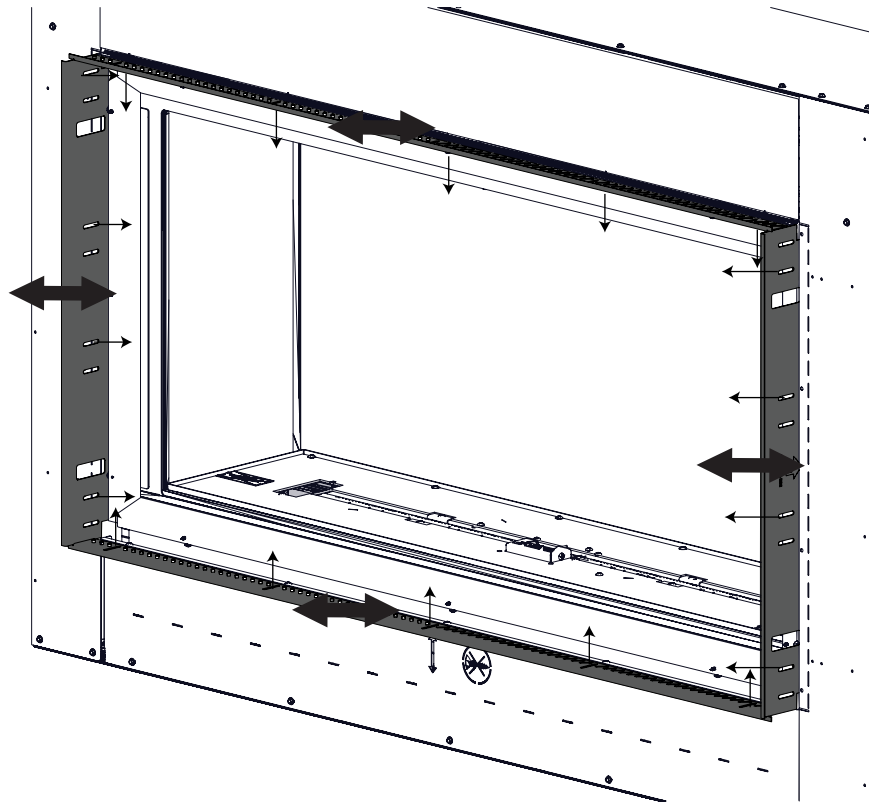
Always check that the appliance ignites smoothly across the entire burner to ensure media placement does not compromise performance. Pay particular attention when using power vents to ensure media placement does not affect ignition or flame characteristics. Adjust the air shutter according to the table under “venturi adjustment”. Undesirable differences in the flame pattern result from excessive or inconsistent / incorrect placement of media on the burner.

**note:**

Do not place media directly over peaks, see “flame characteristics” section for more information.

11.9 adjusting the finishing trim

To adjust your finishing trim, loosen the 4 screws and pull outward. Re-tighten the screws once desired depth has been achieved (see below).



12.0 adjustments

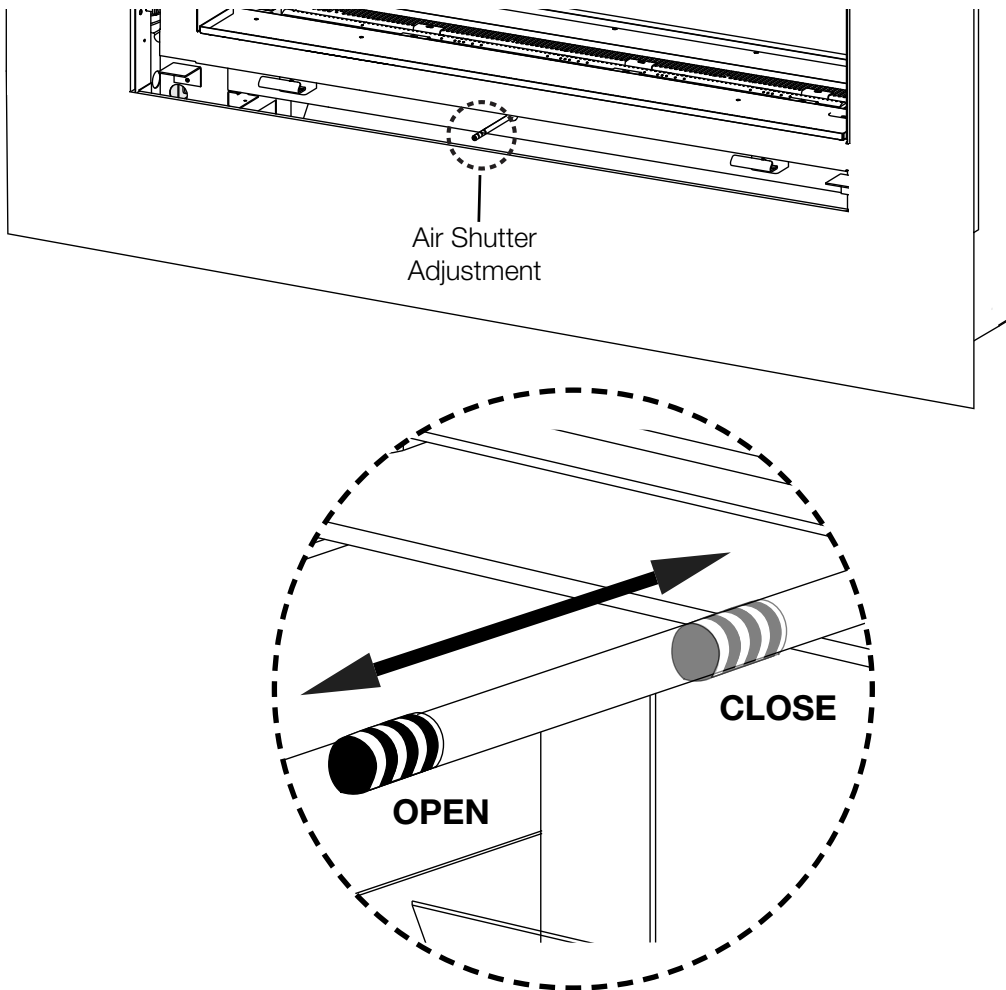
12.1 restricting vertical vents

Vertical installations may display a very active flame. If this appearance is not desirable, the vent exit in the appliance must be restricted using a restrictor vent kit. Refer to the “**replacements**” section of the owner’s manual for the appropriate kit. This will reduce the velocity of the exhaust gases, slowing down the flame pattern and creating a more traditional gentle flame appearance. Specific instructions are included with the kit.

12.2 venturi adjustment

This appliance is equipped with an externally adjustable air shutter that is **not** preset from factory. Any adjustments made to the shutter **must** be done with the burner and all media installed into the appliance. It is important to operate the appliance and verify that the air shutter is opened to the correct amount to prevent either flame lifting or carbonizing. To open or close the shutter, pull the rod away from the appliance or push the rod towards the appliance respectively.

Small adjustments on the shutter can have a drastic effect on the flame appearance; it is recommended to adjust the shutter in 1/8” increments.



! WARNING

- Air shutter adjustment must be done by a qualified installer.

Regardless of air shutter location, closing the air shutter will cause a more yellow flame, but can lead to carbonization. Opening the air shutter will cause a more blue flame, but can cause flame lifting from the burner ports. The flame may not appear yellow immediately, allow 15 to 30 minutes for the flame colour to be established.

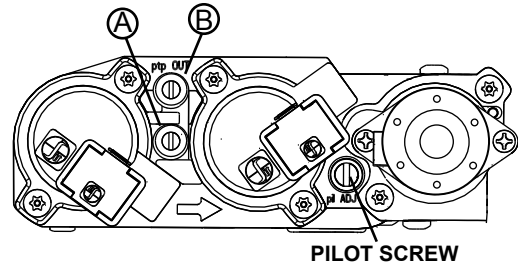
12.3 pilot burner adjustment

Adjust the pilot screw to provide properly sized flame. Turn in a clockwise direction to reduce the gas flow.

Check Pressure Readings:

Inlet pressure can be checked by turning screw (A) counter-clockwise 2 or 3 turns and then placing pressure gauge tubing over the test point. Gauge should read as described on the chart below. Check pressure with main burner operating on "HI".

Outlet pressure can be checked the same as above using screw (B). Gauge should read as described on the chart below. Check pressure with main burner operating on "HI".



After taking pressure readings, be sure to turn screws clockwise firmly to reseal. Do not overtorque.

Leak test with a soap and water solution.

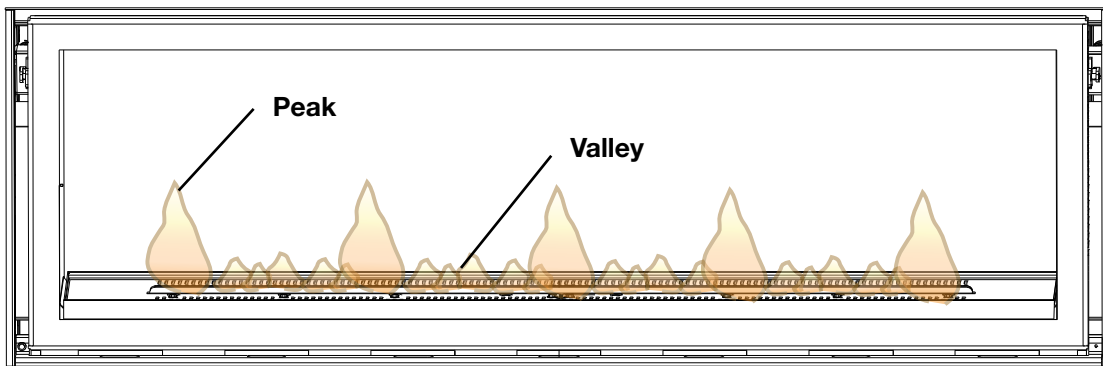
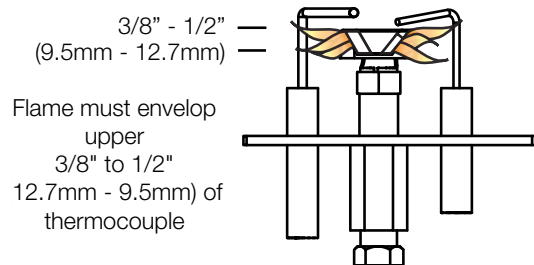
Prior to pilot adjustment, ensure that the pilot assembly has not been painted. If overspray or painting of the pilot assembly has occurred remove the paint from the pilot assembly, or replace. Fine emery cloth or a synthetic scrub pad (such as Scotch-Brite™) can be used to remove the paint from the pilot hood, electrode and flame sensor.

	Natural Gas	Propane
Min. Inlet Gas Supply Pressure	4.5" w.c. (11mb)	11" w.c. (27mb)
Max. Inlet Gas Supply Pressure	*7" w.c. (17mb)	13" w.c. (32mb)
Manifold Pressure (Under Flow Conditions)	3.5" w.c. (9mb)	10" w.c. (25mb)

***Maximum inlet pressure not to exceed 13"**

12.4 flame characteristics

It's important to periodically perform a visual check of the pilot and burner flames. Compare them to the illustration provided. If any flames appear abnormal, call a service person.



TLV50 (NG) Illustrated

WARNING

- Turn off the gas and electrical power before servicing the appliance.
- Appliance may be hot. Do not service until appliance has cooled.
- Do not use abrasive cleaners on glass.
- Do not paint the pilot assembly.

This appliance and its venting system (if equipped) should be inspected before use and at least annually by a qualified service person. The following suggested checks should be performed by a qualified technician. The appliance area must be kept clear and free of combustible materials, gasoline, or other flammable vapors and liquids. The flow of combustion and ventilation air must not be obstructed.

note:

Caution: Label all wires prior to disconnection when servicing controls. Wiring errors can cause improper and dangerous operation. Verify proper operation after servicing.

1. In order to properly clean the burner and pilot assembly, remove the logs, rocks and/or glass to expose both assemblies.
2. Keep the control compartment, media, burner, air shutter opening and the area surrounding the appliance clean by vacuuming or brushing, at least once a year.
3. Check to see that all burner ports are burning. Clean out any of the ports which may not be burning or are not burning properly.
4. Check to see that the pilot flame is large enough to engulf the flame sensor and/or thermocouple / thermopile as well as it reaches the burner.
5. If your appliance is equipped with a safety barrier, cleaning may be necessary due to excessive lint / dust from carpeting, pets, etc. simply vacuum using the brush attachment.
6. If your appliance is equipped with relief doors, ensure the system performs effectively. Check that the gasket is not worn or damaged. Replace if necessary.
7. Reinstall the cleaned logs, rocks or glass. Failure to properly position the media may cause carboning which can be distributed in the surrounding living area, inside the firebox and on exterior surfaces surrounding vent termination.
8. Check to see that the main burner ignites completely on all ports when turned on. A 5 to 10 second total light-up period is satisfactory. If ignition takes longer, consult your local authorized dealer / distributor.
9. Visually inspect the appliance for carbon build up. Using a small whisk or brush, brush off the carbon and vacuum up or sweep into garbage.
10. **This step is not applicable for Vent Free appliances:** Check to see that the appliance is venting correctly. Ensure chimney system is safe and unobstructed. (If for any reason the vent air intake system is disassembled, re-install and re-seal per the instructions provided for the initial installation).

13.1 annual maintenance

WARNING

- Annual maintenance should be performed by a qualified service technician
 - The firebox becomes very hot during operation. Let the appliance cool completely or wear heat resistant gloves before conducting service.
 - Never vacuum hot embers.
 - Do not paint the pilot assembly
-
- This appliance will require maintenance which should be planned on an annual basis.
 - Service should include cleaning, battery replacement, venting inspection and inspection of the burner, media, and firebox. Refer to the door removal section and remove the door as instructed.
 - Carefully remove media if necessary (logs, glass, brick panels, etc.).
 - Using a vacuum with soft brush attachment, gently remove any dirt, debris, or carbon build up from the logs, firebox, and burner. For glass media, follow the installation instructions for pre-cleaning.
 - Gently remove any build-up on the pilot assembly including thermopile, thermocouple, flame sensor, and igniter (if equipped).

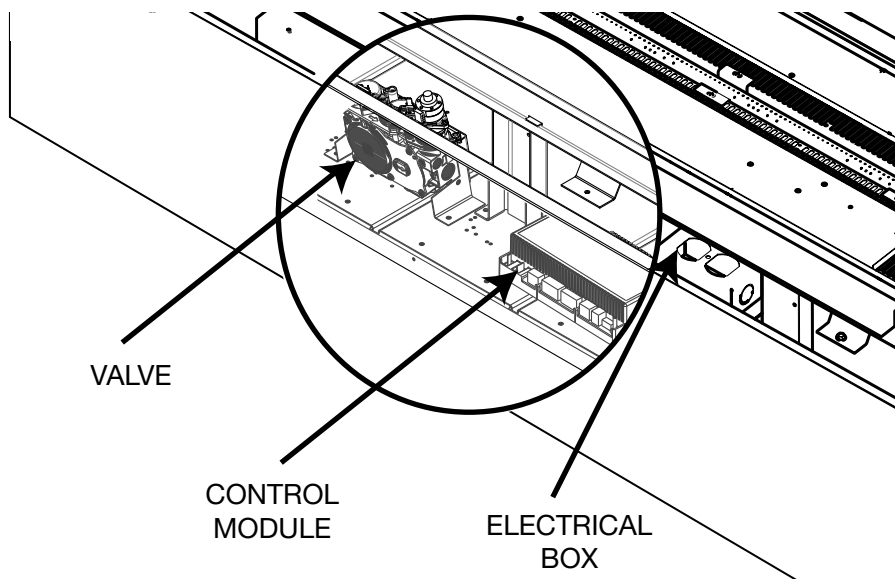
note:

Clean flame sensor using a fine emery cloth or a synthetic scrub pad (such as Scotch-Brite™) to remove any oxides. Clean the pilot assembly using a vacuum with a soft brush attachment. It is important that the pilot assembly is not painted.

- Inspect all accessible gaskets and replace as required.
- If equipped with a blower, access the blower and clean using a soft brush and vacuum.
- Re-assemble the various components in reverse order.
- Inspect the relief system. The appliance relieves through the main glass door or through the flaps on the firebox top. Ensure they open freely, and close sealed.
- Check the gas control valve pilot and Hi / Lo knobs move freely, if equipped. Replace if any stiffness in movement is experienced.
- Check for gas leaks on all gas connections up and downstream from the gas valve including pilot tube connections.

13.2 control access

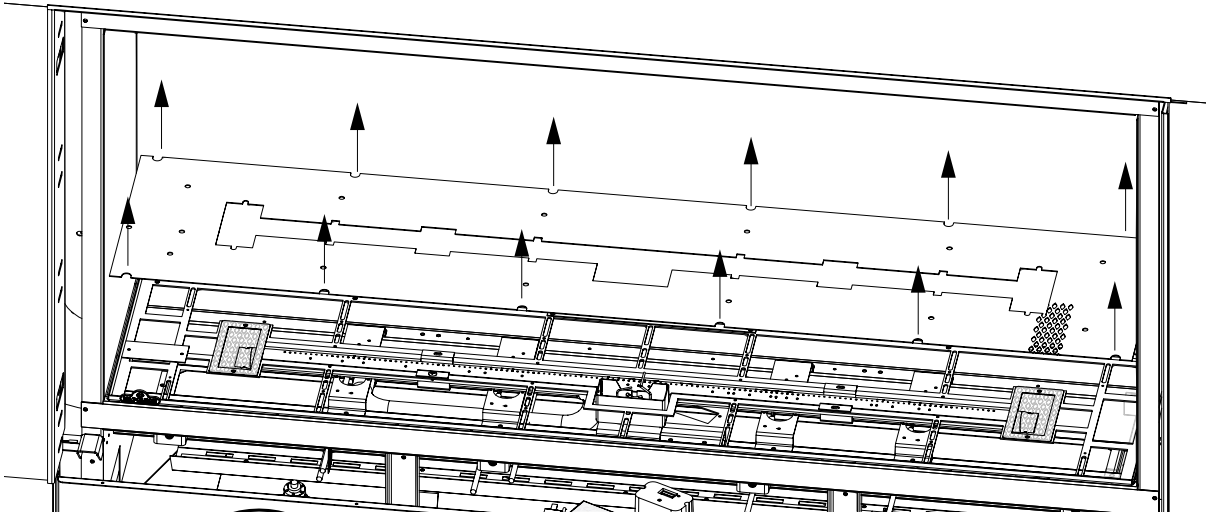
Access to the control can be done through the firebox by removing the safety screen, glass door and front trim.



maintenance

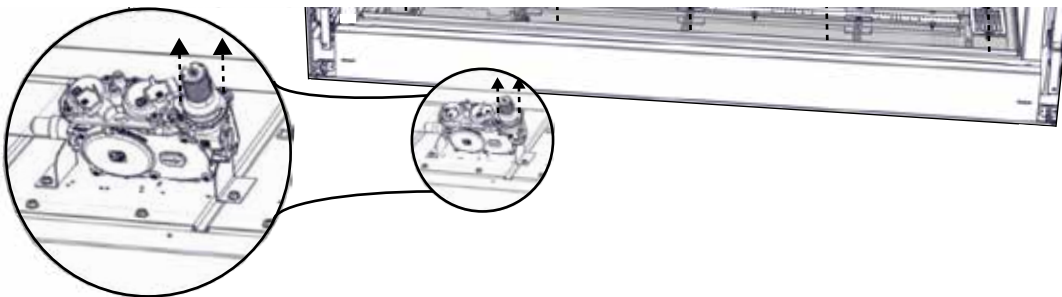
13.3 burner removal

- A. Remove the safety screen and glass door, refer to the “safety barrier installation / removal” and “door installation / removal” sections for details.
- B. Remove the media from the appliance.
- C. Remove media tray screws as shown, lift out the burner, mesh and frame (one assembly).
- D. Disconnect the air shutter.



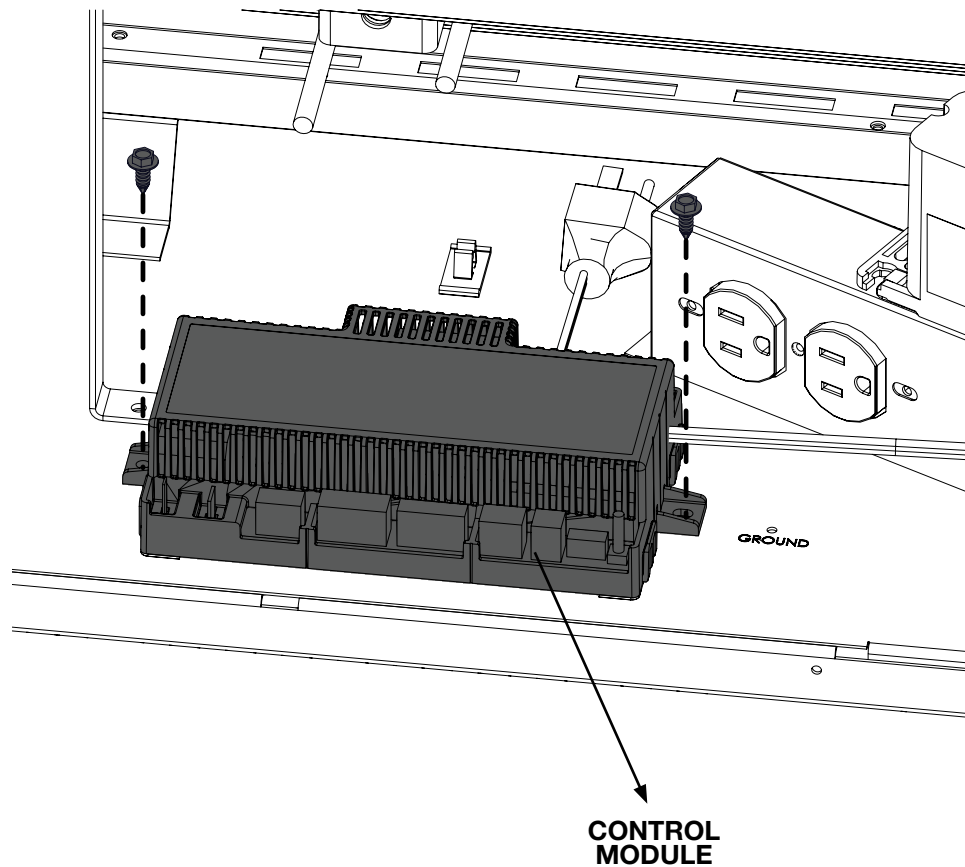
13.4 valve removal

- A. Remove the safety screen and glass door, refer to the “safety barrier installation / removal” and “door installation / removal” sections for details.
- B. Disconnect the flex connector from the valve. Remove the valve wire connections, labeling each one to aid with re-connection.
- C. Remove the screws from the valve bracket and remove the valve.
- D. Replace all components before returning the appliance to service.
- E. Check for gas leaks by brushing on a soap and water solution.



13.5 control module removal

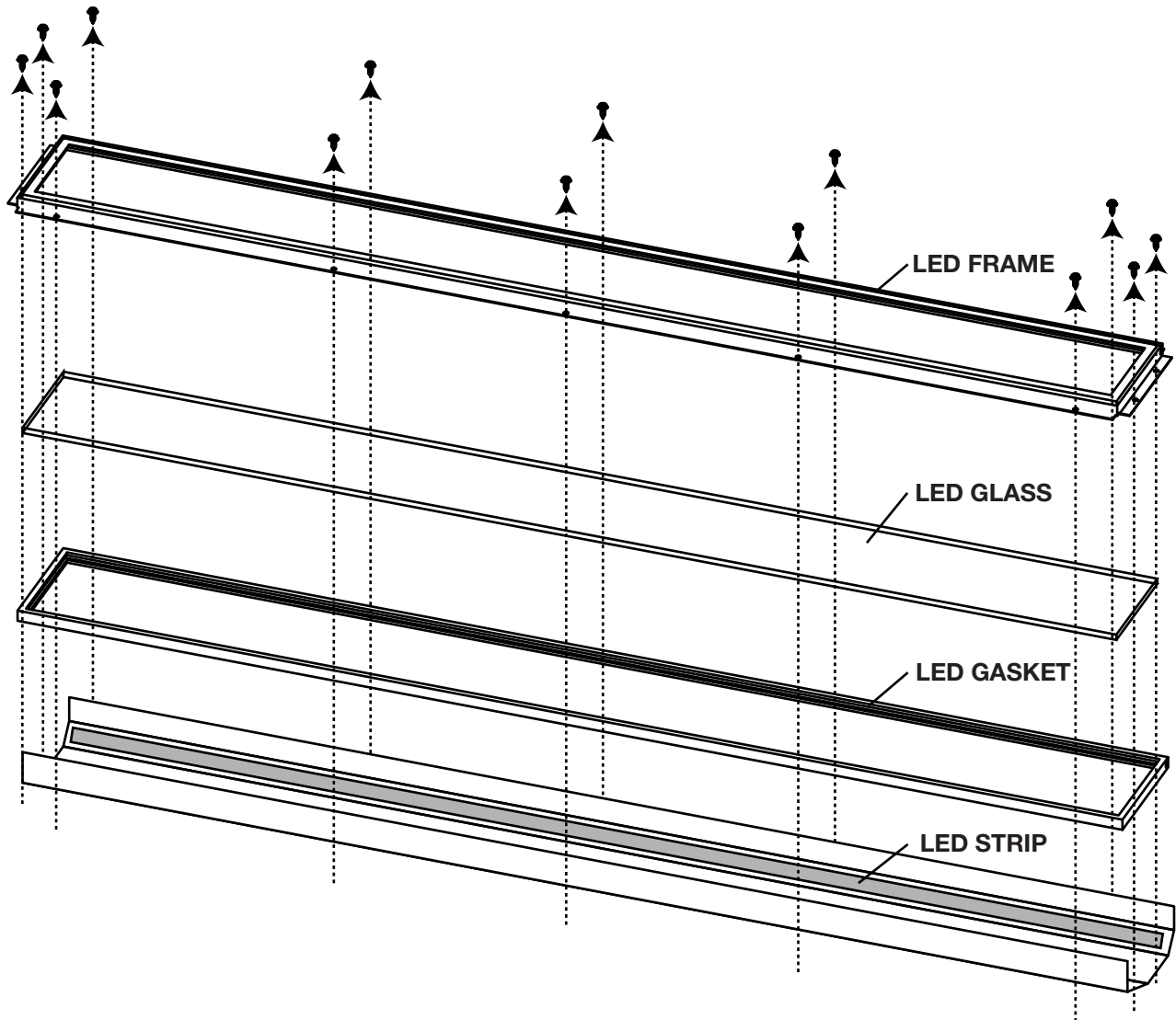
- A. Remove the safety barrier and glass door, refer to the “safety barrier installation / removal” and “door installation / removal” sections for details.
- B. Remove the two screws holding the control module in place, unplug and remove.
- C. Ensure to identify the wires plugged into the control module. It is critical that wire are reconnected to the appropriate connectors.
- D. Replace and reinstall components.



13.6 LED replacement

This appliance comes equipped with an LED strip. If in the event the LED strip needs to be replaced, follow these instructions.

- A.** Turn off all electrical supply.
- B.** Remove the safety screen and glass door, refer to the “safety barrier installation / removal” and “door installation / removal” sections for details.
- C.** Remove the media tray and burner assembly, refer to the “burner removal” section for details.
- D.** Unplug the LED strip from the control module.
- E.** Remove the LED glass by removing the screws securing the LED frame in place, then lift it up and out of the appliance.
- F.** Remove the LED strip by removing the four securing screws, replace and reinstall components.



TLV50 Illustrated

13.7 glass / door replacement

WARNING

- Do not use substitute materials.
- Glass may be hot. Do not touch glass until cooled.
- Care must be taken when removing and disposing of any broken door glass or damaged components. Be sure to vacuum up any broken glass from inside appliance before operation.
- Do not strike, slam, or scratch. Do not operate appliance with glass removed, cracked, broken, or scratched.

Replacement glass/frame assembly shall be replaced as a complete unit as supplied by the appliance manufacturer.

13.8 care of glass

WARNING

- Do not clean glass when hot! Do not use abrasive cleaners to clean glass.

Buff lightly with a clean dry soft cloth to remove accumulated dust or fingerprints. Clean both sides of the glass after the first 4 hours of operation with an ammonia-free glass cleaner.

note:

Vinegar-based glass cleaners have demonstrated an ability to provide a clean, streak free glass surface.

Thereafter, clean as required. If the glass is not kept clean permanent discoloration and / or blemishes may result. Contact your local authorized dealer / distributor for complete cleaning instructions.

Razor blades, steel wool, or other metallic objects must not be used on both surfaces of the glass. Doing so can remove a thin layer of metal from the razor blades, steel wool, or other metallic objects that may then be deposited onto the coating. This can result in a discoloured stain or scratch-like mark. More importantly, this can scratch the glass surface, thereby reducing its strength.

Do not operate the appliance with broken glass, as leakage of flue gases may result.

Contact your local authorized dealer / distributor for complete cleaning instructions.

If the glass should ever crack or break while the fire is burning, do not open the door until the fire is out. Do not operate the appliance until the glass has been replaced. Contact you local authorized dealer / distributor for replacement parts. **DO NOT SUBSTITUTE MATERIALS.**

13.9 care of plated parts

If the appliance is equipped with plated parts, you must clean fingerprints or other marks from the plated surfaces before operating the appliance for the first time. Use an ammonia-free or vinegar-based cleaner and a towel to clean. If not cleaned properly before operating for the first time, the marks can cause permanent blemishes on the plating. After the plating is cured, the fingerprints and oils will not affect the finish and little maintenance is required, just wipe clean as needed. Prolonged high temperature burning with the door ajar may cause discoloration on plated parts.

note:

The protective wrap on plated parts is best removed when the assembly is at room temperature but this can be improved if the assembly is warmed (i.e. using a hair dryer or similar heat source).

This appliance is factory equipped with 5mm ceramic glass. Use only replacement parts as supplied by the appliance manufacturer. **DO NOT SUBSTITUTE MATERIALS**

14.0 replacement parts

WARNING

- Failure to position the parts in accordance with this manual or failure to use only parts specifically approved with this appliance may result in property damage or personal injury.

Contact your dealer for questions concerning prices and policies on replacement parts. Normally, all parts can be ordered through your Authorized dealer / distributor.

For warranty replacement parts, a photocopy of the original invoice will be required to honour the claim.

When ordering replacement parts always give the following information:

- Model & Serial Number of appliance
- Installation date of appliance
- Part number
- Description of part
- Finish

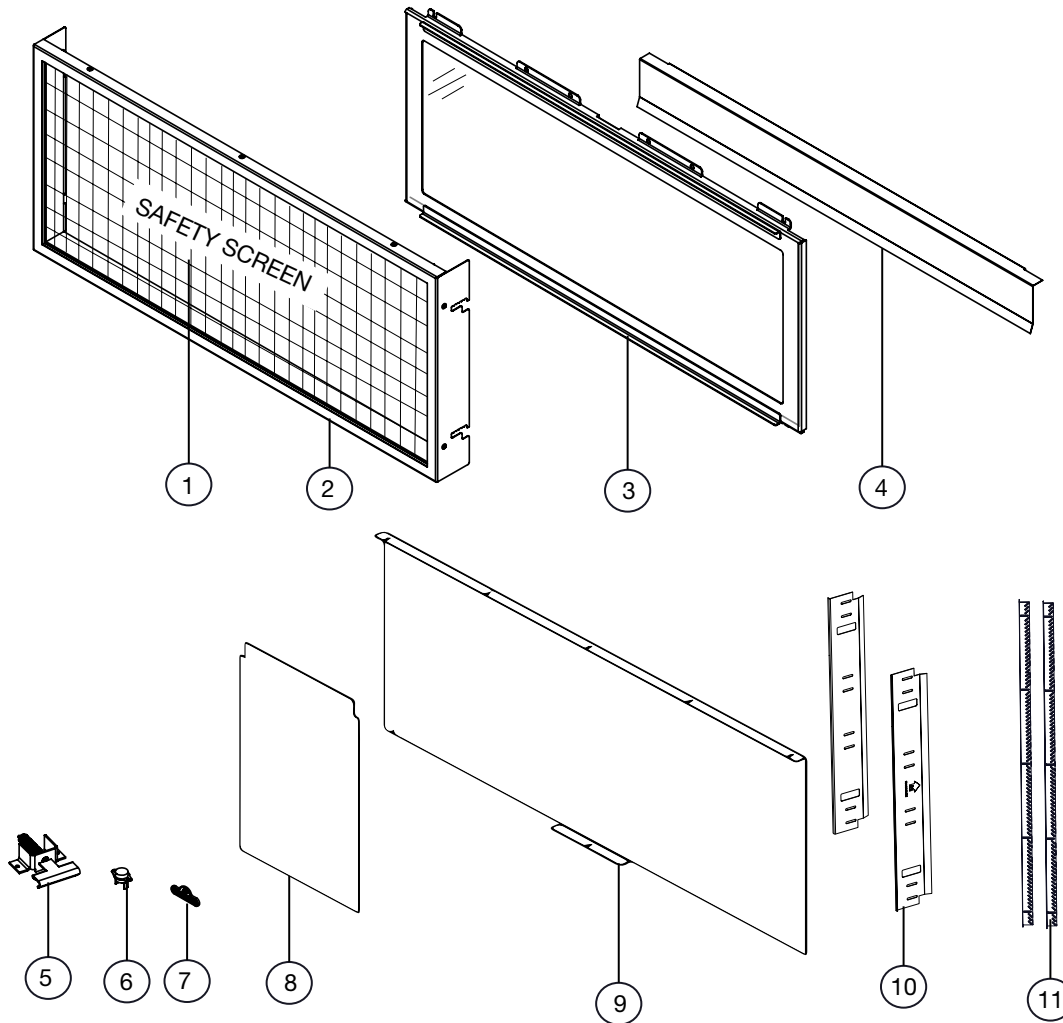
Parts, part numbers, and availability are subject to change without notice.

Parts identified as stocked will be delivered within 2 to 5 business days for most delivery destinations.

Parts not identified as stocked will be delivered within a 2 to 4 week period, for most cases.

Parts identified as 'SO' are special order and can take up to 90 days for delivery.

14.1 overview



Items may not appear exactly as illustrated

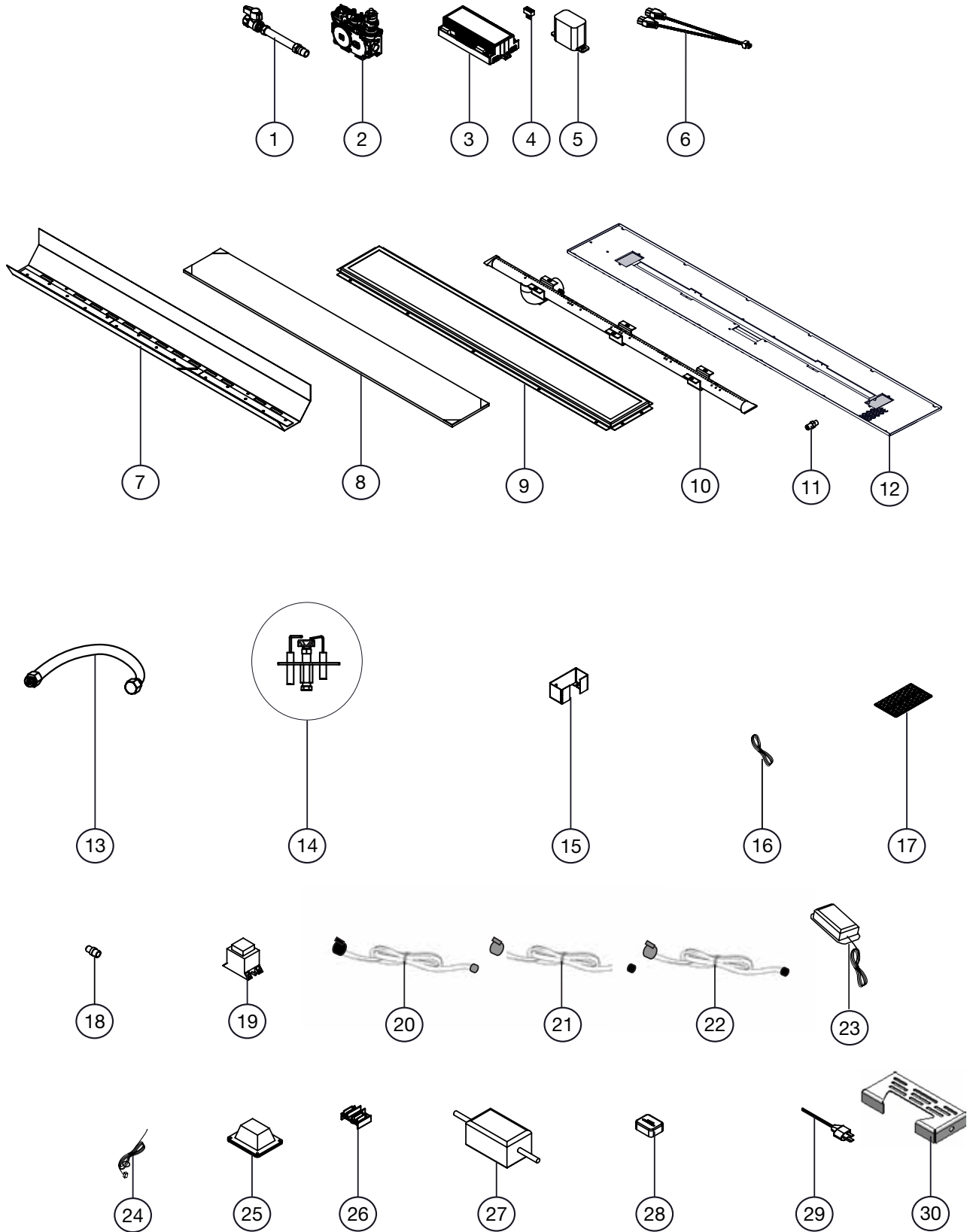
REF.#	Description	Part Number			Stocked
		TLV50	TLV62	TLV74	
1	Safety Screen (Premium)	W565-0351-SER	W565-0352-SER	W565-0353-SER	
2	Safety Barrier	W010-6179-SER	W010-6180-SER	W010-6181-SER	Yes
3	Fixed Door Assembly	W010-6163-SER	W010-6168-SER	W010-6176-SER	Yes
4	Door Trim	W715-1144-SER	W715-1124-SER	W715-1123-SER	
5	Door Latch Assembly	W010-3554			
6*	High Limit Switch	W660-0204			
7	Napoleon Logo	W385-2010			Yes
8	Porcelain End Panel	W475-7883-BK2GL			
9	Porcelain Panel (Rear)	W475-7886-BK2GL-SER	W475-7887-BK2GL-SER	W475-7888-BK2GL-SER	
10	Finishing Trim, Top/Bottom	W715-1307-BK1FT	W715-1308-BK1FT	W715-1309-BK1FT	
11**	Finishing Trim, Sides	W715-1306-BK1FT			

* When your appliance is equipped with the optional Ducted Heat Management System™.

** Parts not illustrated.

replacement parts

14.2 burner components



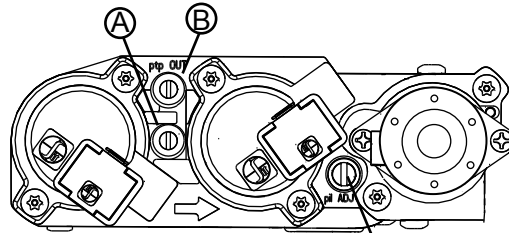
Items may not appear exactly as illustrated

Ref. #	Description	Part Number			Stocked
		TLV50	TLV62	TLV74	
1	Flex Connector (c/w Shut-Off)	W175-0217		W175-0841	Yes
2	Valve (NG)	W725-0056			Yes
3	Control Board	W190-0177			Yes
4	Control Board Wiring Harness	W750-0276			Yes
5	Battery Holder (w/ switch)	W350-0655			Yes
6	3 Prong Light Pigtail	W750-0358			Yes
7	LED Light Assembly	W010-3652-SER	W010-4079-SER	W010-4078-SER	
8	LED Glass Assembly	W010-3714-SER	W010-4071-SER	W010-4070-SER	
9	LED Cover	W200-0499-SER	W200-0653-SER	W200-0652-SER	
10	Burner Assembly (NG)	W100-0332-SER	W100-0333-SER	W100-0335-SER	
11	Burner Orifice (NG)	W456-0034	W456-0030	W456-0030	
	Burner Orifice (P)	W456-0052	W456-0050	W456-0049	Yes
12	Media Tray Assembly	W010-6165-SER	W010-6167-SER	W010-6175-SER	
13	Manifold (Flex)	W432-0533			
14	Pilot Assembly (NG)	W010-4895			Yes
	Pilot Assembly (P)***	W010-4896			Yes
15	Pilot Housing	W585-1024			
16	PF2 Wire Harness	W750-0276			Yes
17	Media Cover Assembly	W010-6166-SER			
18	Connector	W445-0038			Yes
19	Transformer	W707-0019			Yes
20	LED Wire (Black)	W750-0432	W750-0433		
21	LED Wire (White)	W750-0401	W750-0430	W750-0401	
22	LED Aux Wire	W750-0434			
23	LED Controller	W190-0125			
24	Bluetooth Wire Harness	W750-0435			
25	Light, Accent (c/w gasket)	W405-0096-SER			Yes
26	Terminal	N/A	W060-0008		Yes
27	Transformer (Night Light)	W707-0019	W707-0027		
28	Bluetooth Module	W190-0090			Yes
29	Power Cord	W750-0294			
30	Pilot Cap	W120-0115			

! WARNING

- Always light the pilot whether for the first time or if the gas supply has run out, with the glass door open or removed.
- Turn off gas and electrical power before servicing the appliance.
- Appliance may be hot. Do not service until appliance has cooled.
- Do not use abrasive cleaners

symptom	problem	test solution
Main burner flame is a blue, lazy, transparent flame. (This is not applicable in outdoor appliances)	Blockage in vent.	- Remove blockage. In really cold conditions, ice buildup may occur on the terminal and should be removed as required. (To minimize this from reoccurring, the vent lengths that pass through unheated spaces (attics, garages, crawl spaces) should be wrapped with an insulated mylar sleeve).
	Incorrect installation.	- Refer to "venting" section to ensure correct installation.
Flames are consistently too large or too small. Carboning occurs.	Appliance is over-fired or under-fired.	- Check pressure readings: Inlet pressure can be checked by turning screw (A) counter-clockwise 2 or 3 turns and then placing pressure gauge tubing over the test point. Gauge should read as described on the chart below. Check that main burner is operating on 'HI'. Outlet pressure can be checked the same as above using screw (B). Gauge should read as described on the chart below. Check that main burner is operating on 'HI'. After taking pressure readings, be sure to turn screws clockwise firmly to reseal. DO NOT OVER TORQUE. Leak test with a soap and water solution.
	Air shutter improperly adjusted.	- Return air shutter to specified opening, see " venturi adjustments " section in the installation manual.
Carbon is being deposited on glass, logs, rocks, media, or combustion chamber surfaces.	Air shutter is blocked.	- Ensure air shutter opening is free of lint or other obstructions.
	Flame is impinging on the glass, logs, rocks, media or combustion chamber.	- Ensure the media is positioned correctly in the appliance. - Open air shutter to increase the primary air. - Check the input rate: check the manifold pressure and orifice size as specified by the rating plate. - Ensure door gaskets are not broken or missing and the seal is tight. - Ensure vent liners are free of holes and well sealed at all joints. - Check that minimum rise per foot (meters) has been adhered to for any horizontal venting.
White / grey film forms.	Sulphur from fuel is being deposited on glass, logs, or combustion chamber surfaces.	- Clean the glass with a recommended gas fireplace glass cleaner. DO NOT CLEAN GLASS WHEN HOT. - If deposits are not cleaned off regularly, the glass may become permanently marked.
Exhaust fumes smelled in room, headaches.	Appliance is spilling. (This is not applicable in outdoor appliances).	- Check door seal. - Check for exhaust damage. - Check that venting is installed correctly. - Room is in negative pressure; increase fresh air supply.



PILOT SCREW

symptom	problem	test solution
Pilot will not light. Makes noise with no spark at pilot burner.	Wiring: short, loose, or damaged connections (poor flame rectification).	<ul style="list-style-type: none"> - Verify the thermocouple/sensor is clean and the wiring is undamaged. - Verify the interrupter block is not damaged or too tight. Verify connections from pilot assembly are tight; also verify the connections are not grounding out to any metal. (Remember, the flame carries the rectification current, not the gas. If flame lifts from pilot hood, the circuit is broken. A wrong orifice or too high of an inlet pressure can cause the pilot flame to lift)*. The sensor rod may need cleaning.
	No signal from remote with no pilot ignition.	<ul style="list-style-type: none"> - Reprogram receiver code. - Replace receiver.
	Poor grounding.	<ul style="list-style-type: none"> - Verify the valve / pilot assembly are properly grounded
	Improper switch wiring.	<ul style="list-style-type: none"> - Troubleshoot the system with the simplest on/off switch.
	Dirty, painted, or damaged pilot and/or dirty sensor rod.	<ul style="list-style-type: none"> - Clean sensor rod with a green Scotch-Brite™ pad to remove any contamination that may have accumulated. Verify continuity with multimeter with ohms set at the lowest range.
Pilot sparks but will not light.	Gas supply.	<ul style="list-style-type: none"> - Verify that the incoming gas line ball valve is “open”. - Verify that the inlet pressure reading is within acceptable limits, inlet pressures must not exceed 13” W.C. (32.4mb).
	Out of propane gas.	<ul style="list-style-type: none"> - Fill the tank.
	Pilot supply line may contain air.	<ul style="list-style-type: none"> - Repeat ignition process several times or purge the pilot supply line.
	Incorrect wiring / grounding.	<ul style="list-style-type: none"> - Ensure correct polarity of wiring of thermocouple (if equipped). - Verify pilot assembly / valve are properly grounded.
	Receiver (if equipped).	<ul style="list-style-type: none"> - Reset program: hold reset button on receiver and wait for 2 beeps. Release after second beep. Press small flame button on remote within 20 seconds, you will hear an additional beep (this signals a successful reset). - Replace receiver.
	Valve.	<ul style="list-style-type: none"> - Check valve and replace if necessary (Do not to overtighten thermocouple).
Burner continues to spark and pilot lights but main burner does not light.	Short or loose connection in sensor rod.	<ul style="list-style-type: none"> - Verify all connections. Verify the connections from the pilot assembly are tight. Also, verify these connections are not grounding out to any metal.
	Dirty, painted, or damaged pilot assembly components.	<ul style="list-style-type: none"> - Clean using a green Scotch-Brite™ pad to remove any contamination that may have accumulated on the sensor rod, pilot hood, ignitor, or flame sensor. Verify continuity with multimeter with ohms set at the lowest range.
Remote wall switch is in “off” position; burner comes on.	Wall switch mounted upside down.	<ul style="list-style-type: none"> - Reverse.
	Remote wall switch and/or wire is grounding.	<ul style="list-style-type: none"> - Replace. - Check for ground (short); repair ground or replace wire.
	Faulty wire	<ul style="list-style-type: none"> - Replace.
Remote and / or receiver is not functioning properly.	Remote controls lights but no spark or flame. (Remote is locked out).	<ul style="list-style-type: none"> - Reset by turning power source off then on. <div style="border: 1px solid black; padding: 5px; margin-top: 5px;"> <p>note: If back up batteries are installed, they must also be removed to re-program</p> </div>
	Receiver or remote has low battery.	<ul style="list-style-type: none"> - Replace batteries.
	Appliance functions but does not respond to receiver / remote	<ul style="list-style-type: none"> - Ensure appliance is being operated by the same device that turned it on. Remote controls function if appliance was turned on by remote. Receiver controls function if appliance was turned on by receiver.
	Error with synchronizing.	<ul style="list-style-type: none"> - Reset receiver and remote.
	Remote too far away from receiver.	<ul style="list-style-type: none"> - Refer to “wiring diagram” section.
	Wire connector pins are bent.	<ul style="list-style-type: none"> - Straighten pins.
	Valve wiring is damaged.	<ul style="list-style-type: none"> - Replace valve.

symptom	problem	test solution
Lights or blower won't function (if equipped).	Control module switch in wrong position.	- Verify ON/OFF switch is in the "I" position which denotes on.
	COM switch is unplugged.	- Verify "COM" switch is plugged into the front of the control module.
Flames are very aggressive.	Door is ajar.	- Ensure door is secured properly.
	Venting action is too great.	- Check to ensure venting is properly sealed or restrict vent exit with restrictor plate. (Not available in all appliances).
Appliance won't perform any functions.	No power to the system.	- Check breaker to verify it's in the "on" position.
	Receiver switch in wrong position (if equipped).	- Verify that the 3 position switch on the receiver is in the remote position (middle).
	Transmitter isn't operational.	- Check battery power and battery orientation.

symptom	problem	test solution
---------	---------	---------------

The following applies specifically to the SIT system only:

Pilot will not light. Makes no noise with no spark at pilot burner. (Lights and blower operate, if equipped).	Ignition box has been locked out.	<p>Choose one of the 3 methods below to reset the system.</p> <ol style="list-style-type: none"> To reset ignition box when locked out. Turn off power supply and remove batteries (if used) from the back up battery pack. To reset the DFC Board when the board goes into a lock out condition and the LED is blinking 3 times using the transmitter on/off button: <ul style="list-style-type: none"> Step 1: Turn the system off by pressing the on/off button to turn the system off. Step 2: After approximately 2 seconds press the on/off button on the transmitter again. The DFC Board will reset and the ignition sequence will start again. To reset the DFC Board when the board goes into a lock out condition and the LED is blinking 3 times by cycling flame: <ul style="list-style-type: none"> Step 1: In the manual flame control mode, use the down arrow button to reduce the flame to off, indicated by the word OFF displayed on the transmitter LCD screen. Step 2: Wait approximately 2 seconds and press the up arrow button, the ignition sequence will start.
---	-----------------------------------	--

note:

Starting from **off**, press the **on** button on the transmitter. After approximately 4 seconds **on/off** button is pressed, the ignition board will start the spark. The attempt for ignition will last approximately 60 seconds. If there is no flame ignition (rectification), the board will stop sparking and the board will go into lock out.

Napoleon products are manufactured under the strict Standard of the world recognized ISO 9001 : 2015 Quality Management System.

Napoleon products are designed with superior components and materials assembled by trained craftsmen who take great pride in their work. The burner and valve assembly are leak and test-fired at a quality test station. The complete appliance is again thoroughly inspected by a qualified technician before packaging to ensure that you, the customer, receive the quality product that you expect from Napoleon.

Napoleon Gas Appliance President's Lifetime Limited Warranty

The following materials and workmanship in your new Napoleon gas appliance are warranted against defects for as long as you own the appliance. This covers: combustion chamber, heat exchanger, stainless / steel burner, Phazer™ logs and embers, rocks, ceramic glass (thermal breakage only), gold plated parts against tarnishing, porcelainized enameled components and aluminum extrusion trims.*

Electrical (110V and millivolt) components and wearable parts are covered and Napoleon will provide replacement parts free of charge during the first year of the limited warranty. This covers: blowers, gas valves, thermal switches, switches, wiring, remote controls, ignitors, gaskets and pilot assemblies.*

Labour related to warranty repair is covered free of charge during the first year (labour warranty is not applicable for the Gas Log Sets). Repair work, however, requires the prior approval of an authorized company official. Labour costs to the account of Napoleon are based on a predetermined rate schedule and any repair work must be done through an authorized Napoleon dealer.

* Construction of models vary. Warranty applies only to components included with your specific appliance.

Conditions and Limitations

Napoleon warrants its products against manufacturing defects to the original purchaser only. Registering your warranty is not necessary. Simply provide your proof of purchase along with the model and serial number to make a warranty claim. Napoleon reserves the right to have its representative inspect any product or part thereof prior to honouring any warranty claim. Provided that the purchase was made through an authorized Napoleon dealer your appliance is subject to the following conditions and limitations:

Warranty coverage begins on the date of original installation. This factory warranty is non-transferable and may not be extended whatsoever by any of our representatives. The gas appliance must be installed by a licensed, authorized service technician or contractor qualified and authorized installer, service agency or supplier. Installation must be done in accordance with the installation instructions included with the product and all local and national building and fire codes. This limited warranty does not cover damages caused by misuse, lack of maintenance, accident, alterations, abuse or neglect, and parts installed from other manufacturers will nullify this warranty. This limited warranty further does not cover any scratches, dents, corrosion or discoloring caused by excessive heat, abrasive and chemical cleaners nor chipping on porcelain enamel parts, mechanical breakage of Phazer™ logs and embers. This warranty extends to the repair or replacement of warranted parts which are defective in material or workmanship provided that the product has been operated in accordance with the operation instructions and under normal conditions. After the first year, with respect to this President's Lifetime Limited Warranty, Napoleon may, at its discretion, fully discharge all obligations with respect to this warranty by refunding to the original warranted purchaser the wholesale price of any warranted but defective part(s).

After the first year, Napoleon will not be responsible for installation, labour, or any other expenses related to the reinstallation of a warranted part and such expenses are not covered by this warranty. Notwithstanding any provisions contained in the President's Lifetime Limited Warranty, Napoleon's responsibility under this warranty is defined as above and it shall not in any event extend to any incidental, consequential or indirect damages. This warranty defines the obligations and liability of Napoleon with respect to the Napoleon gas appliance and any other warranties expressed or implied with respect to this product, its components or accessories are excluded. Napoleon neither assumes, nor authorizes any third party to assume, on its behalf, any other liabilities with respect to the sale of this product. Napoleon will not be responsible for: over-firing, downdrafts, spillage caused by environmental conditions such as rooftops, buildings, nearby trees, hills, mountains, inadequate vents or ventilation, excessive venting configurations, insufficient makeup air, or negative air pressures which may or may not be caused by mechanical systems such as exhaust fans, furnaces, clothes dryers, etc. Any damages to the appliance, combustion chamber, heat exchanger, plated trim or other components due to water, weather damage, long periods of dampness, condensation, damaging chemicals or cleaners will not be the responsibility of Napoleon.

During the first 10 years Napoleon will replace or repair the defective parts covered by the lifetime warranty at our discretion free of charge. From 10 years to life, Napoleon will provide replacement parts at 50% of the current retail price. The manufacturer may require that defective parts or products be returned or that digital pictures be provided to support the claim. Returned products are to be shipped prepaid to the manufacturer for investigation. If a product is found to be defective, the manufacturer will repair or replace such defect. Before shipping your appliance or defective components, your dealer must obtain an authorization number. Any merchandise shipped without authorization will be refused and returned to sender. Shipping costs are not covered under this warranty. Additional service fees may apply if you are seeking warranty service from a dealer. Warranty labour allowance is only for the replacement of the warranted part. Travel, diagnostic tests, shipping and other related charges are not covered by this warranty.

NAPOLEON CELEBRATING OVER 40 YEARS OF HOME COMFORT PRODUCTS



7200, Route Transcanadienne, Montréal, Québec H4T 1A3
24 Napoleon Road, Barrie, Ontario, Canada L4M 0G8
214 Bayview Drive, Barrie, Ontario, Canada L4N 4Y8
103 Miller Drive, Crittenden, Kentucky, USA 41030
De Riemsdijk 22, 4004 LC Tiel, The Netherlands

Phone: 1-866-820-8686
napoleon.com



MANUEL D'INSTALLATION

Séries Vector^{MD}
(TLV50N2 illustré)

CONSIGNES DE SÉCURITÉ

! AVERTISSEMENT

RISQUE D'INCENDIE OU D'EXPLOSION

Incapacité à suivre ces avertissements exactement peuvent entraîner de grave blessures, des pertes de vie ou des dommages matériels.

- N'entreposez pas et n'utilisez pas d'essence ou autres liquides et vapeurs inflammables à proximité de cet appareil ou tout autre appareil.

- QUE FAIRE SI VOUS DÉTECTEZ UN ODEUR DE GAZ:

- N'allumez aucun appareil.
- Ne touchez à aucun interrupteur électrique; n'utilisez aucun téléphone dans votre immeuble.
- Appelez immédiatement votre fournisseur de gaz d'un téléphone voisin. Suivez ses instructions.
- Si vous ne pouvez pas rejoindre votre fournisseur de gaz, appelez le service des incendies.

- L'installation et l'entretien doivent être faits par un installateur qualifié, une agence d'entretien ou le fournisseur.

Cet appareil peut être installé dans une maison préfabriquée (mobile) déjà installée à demeure si les règlements locaux le permettent.

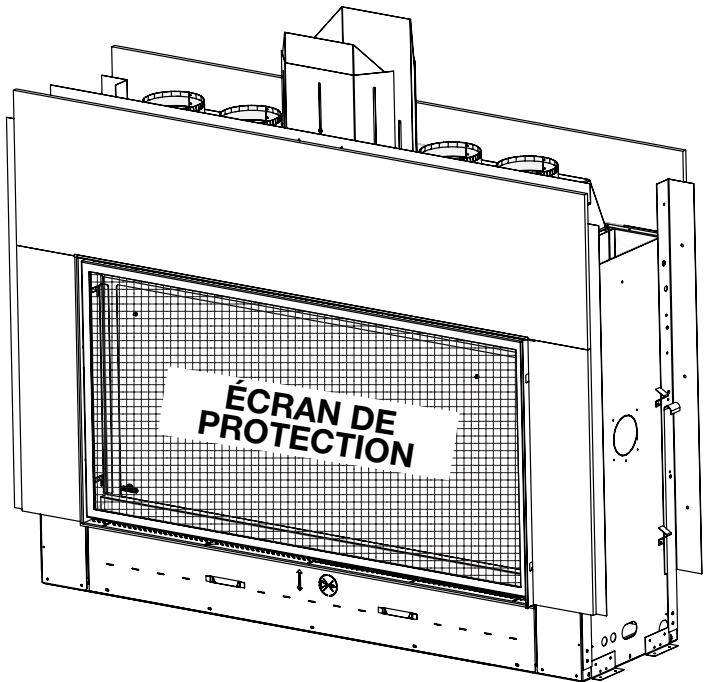
Cet appareil doit être utilisé uniquement avec le type de gaz indiqué sur la plaque d'homologation. Cet appareil ne peut être converti à d'autres gaz, sauf si une trousse de conversion est utilisée.

INSTALLATEUR:

Laissez ce manuel avec l'appareil

PROPRIÉTAIRE:

Conservez ce manuel pour consultation ultérieure



CET APPAREIL EST APPROPRIÉ POUR LA SYSTÈME OPTIONNEL
Dynamic Heat Control^{MD} / Ducted Heat Management^{MD}
(Voir le manuel d'installation de Dynamic Heat Control^{MD} / Ducted
Heat Management^{MD})



POUR USAGE INTÉRIEUR SEULEMENT

CERTIFIÉ SELON LES NORMES NATIONALES CANADIENNES ET AMÉRICAINES:
CSA 2.22 ET ANSI Z21.50 POUR LES APPAREILS À GAZ DÉCORATIF À ÉVACUATION

PLACER L'ÉTIQUETTE DE NUMÉRO
DU SÉRIE SUR LE MANUEL DU
PROPRIÉTAIRE



AVERTISSEMENT

- **Cet appareil est chaud lorsqu'il fonctionne et peut causer de graves brûlures en cas de contact.**
- **Toute modification apportée à cet appareil ou aux contrôles peut être dangereuse et est interdit.**
- Ne faites pas fonctionner l'appareil avant d'avoir lu et compris les instructions d'opération. Omettre d'utiliser l'appareil selon les instructions d'opération pourrait causer un incendie ou des blessures.
- S'assurez que la porte vitrée est ouvert ou retiré de l'appareil lorsque vous allumer le pilote pour la première fois et lorsque le gaz est épuisé.
- Risque d'incendie ou d'asphyxie, ne faites pas fonctionner l'appareil avec la vitre retirée et jamais obstruer l'ouverture sur le devant de l'appareil.
- Ne branchez pas la soupape à du courant 110 volts, avec les exception de modèles; GSST8 et GT8.
- Risque de brûlures. L'appareil doit être éteint et refroidi avant d'effectuer un entretien.
- N'installez pas de composants endommagés ou incomplets ni des composants substitués.
- Risque de coupures et d'éraflures. Portez des gants protecteurs, des chaussures de protection et des lunettes de sécurité lors de l'installation. Les bordures des pièces de métal peuvent être coupantes.
- Ne brûlez pas de bois ou autres matériaux dans cet appareil.
- Assurez-vous d'une quantité suffisante d'air de combustion et de ventilation. Prévoyez un accès suffisant pour entretenir et opérer l'appareil.
- Haute pression endommagera la soupape. Débrancher la tuyauterie d'alimentation en gaz avant de tester la pression de ligne de gaz à la pression d'essai au-dessus de 1/2 psig. Fermer l'arrêt manuelle du soupape avant de tester la pression de ligne de gaz à la pression égale ou inférieure à 1/2psig (35mb).
- L'appareil ne doit pas être utilisé au températures au-dessous de zero (32°F / 0°C). Permettre à l'appareil pour réchauffer au-dessus de zero avant le fonctionnement, avec l'exception de modèles; GSS36, GSS42, RSS36, and RSS42; ces appareil sont adaptés pour 0°F / -18°C.
- **Les enfants et les adultes devraient être informés des dangers que posent les températures de surface élevées et se tenir à distance afin d'éviter des brûlures ou que leurs vêtements ne s'enflamment.**
- **Les jeunes enfants doivent être surveillés attentivement lorsqu'ils sont dans la même pièce que l'appareil. Les jeunes enfants et autres personnes à risque sont sujets aux brûlures accidentelles. Une barrière de protection est recommandée si des individus à risque se trouvent dans la maison. Afin de restreindre l'accès à l'appareil, installez une barrière de protection ajustable pour garder les jeunes enfants ou autres personnes à risque hors de la pièce et loin des surfaces chaudes.**
- **Les vêtements et autres matériaux combustibles ne doivent pas être posés sur l'appareil ou à proximité.**
- **En raison des températures élevées, l'appareil devrait être placé loin des endroits passants et loin des meubles et des rideaux.**
- Les meubles ou autres objets doivent être gardés à une distance d'au moins 4 pieds (1.22m) du devant de l'appareil.
- Assurez-vous de disposer de mesures de sécurité adéquates pour empêcher les jeunes enfants de toucher aux surfaces chaudes.
- Même une fois que l'appareil est éteint, l'appareil demeurera chaud pendant un temps prolongé.
- Consultez votre détaillant local de l'appareil pour connaître les écrans de protection et les protection du foyer offerts pour protéger les enfants des surfaces chaudes. Ces écrans de protection et les protection du foyer doivent être fixés au plancher.
- **Tout écrans de protection, garde ou barrière enlevés pour faire l'entretien devront être remis en place avant d'utiliser l'appareil.**
- Il est primordial de garder propres les compartiments de contrôle, les brûleurs, la soufflerie, les bouches d'air de l'appareil ainsi que le système d'évacuation. L'appareil et son système d'évacuation doivent être inspectés avant la première utilisation et au moins une fois l'an par un spécialiste en entretien. Un entretien plus fréquent pourrait être nécessaire en raison des peluches provenant des tapis, literie, etc. L'emplacement de l'appareil doit être gardé libre de tous matériaux combustibles, essence ou autres liquides et vapeurs inflammables.
- Si l'appareil s'éteint, n'allume pas l'appareil jusqu'à ce que vous donner de l'air frais. Si l'appareil continue de s'éteindre, faire réparer. Garder propres le brûleur et le compartiment de contrôle.
- Cet appareil ne devra être modifié en aucun cas.
- Ne laissez pas les ventilateurs souffler directement sur l'appareil. Empêchez les courants d'air de modifier l'apparence de la flamme.

AVERTISSEMENT

LA VITRE CHAUDE CAUSERA DES BRÛLURES.

NE PAS TOUCHER LA VITRE AVANT QU'ELLE AIT REFROIDI.

NE JAMAIS LAISSER LES ENFANTS TOUCHER LA VITRE.



Une barrière conçu à réduire le risque de brûlures causées par le verre chaud est fourni avec l'appareil et doit être installé pour la protection des enfants et d'autres personnes à risque.

AVERTISSEMENT

- N'utilisez pas une soufflerie intégrée, un échangeur de chaleur intégré ni un autre accessoire non approuvé pour cet appareil.
- Cet appareil ne doit pas être raccordé au conduit d'une cheminée desservant un autre appareil de chauffage à combustible solide.
- N'utilisez pas cet appareil si une partie quelconque a été submergée. Contactez immédiatement un technicien de service qualifié pour inspecter l'appareil et pour remplacer toute pièce du système de contrôle et du contrôle du gaz qui aurait été submergée.
- Ne pas opérer l'appareil lorsque la porte vitrée (si équipé) est enlevée, fissurée ou brisée. Le remplacement de la vitre devra être effectué par un technicien de service certifié ou qualifié, si équipé.
- Ne frappez pas et ne claquez pas la porte vitrée de l'appareil.
- **Seulement les portes/façades certifiées pour l'appareil peuvent être utilisées avec cet appareil.**
- Gardez les matériaux d'emballage hors de la portée des enfants et mettez ces matériaux au rebut de façon sécuritaire. Comme tous les emballages de plastique, ces matériaux ne sont pas des jouets et doivent demeurer hors de la portée des enfants et des bébés.
- Le carbone ou la suie ne doit pas se produire dans un appareil sans événement car il peut être distribué dans une zone habitable de votre maison. Si vous remarquez des signes de carbone ou de suie, éteignez immédiatement votre appareil et arrangez-le pour le faire entretenir par un technicien qualifié avant de l'actionner à nouveau.
- Si équipé, l'écran doivent être (fermez) en place pendant le fonctionnement de l'appareil.
- Lorsque l'appareil est muni de portes d'évacuation de pression, elles doivent demeurer fermées pendant le fonctionnement de l'appareil afin d'empêcher les gaz de combustion contenant du monoxyde de carbone de s'infiltrer dans la maison. La température des gaz de combustion s'échappant par ces ouvertures peut aussi causer les matériaux combustibles avoisinants à surchauffer et à prendre feu.
- L'empoisonnement au monoxyde de carbone peut conduire à la mort; les premiers signes d'une intoxication au monoxyde de carbone ressemblent à la grippe, avec céphalées, vertiges et/ou des nausées. Si vous présentez ces signes, l'appareil peut ne pas fonctionner correctement. Obtenir l'air frais! Faire réparer l'appareil. Certaines personnes; les femmes enceintes, les personnes ayant une maladie cardiaque ou pulmonaire, anémie, ceux sous l'influence de l'alcool, ceux à haute altitude sont plus touchés par le monoxyde de carbone que d'autres. Défaut de garder l'ouverture d'air primaire(s) du brûleur(s) propre peut entraîner la formation de suies et dommages à la propriété.
- Comme dans le cas de tout appareil à combustion, il est recommandé de faire inspecter et entretenir votre appareil régulièrement. De même, installez un détecteur de monoxyde de carbone dans la pièce pour vous protéger, ainsi que votre famille, contre les intoxications (pas applicable pour les appareils pour l'extérieure).
- Assurez-vous que les distances requises pour les dégagements aux matériaux combustibles sont respectées lorsque vous installez une tablette décorative ou des tablettes au-dessus de l'appareil. En raison des températures élevées, un téléviseur ou d'autres composants électroniques pourraient être endommagés prématurément ou ils pourraient fondre, se déformer ou se décolorer.
- **Pour les appareils avec une barrière; si la barrière est endommagée, elle devra être remplacée par la barrière conçu par le fabricant pour cet appareil.**
- **L'installation et la réparation devraient être effectuées par un technicien qualifié. Il est impératif que les compartiments de contrôle, le brûleur et les passages de circulation d'air soient gardés propres afin de fournir une combustion et une circulation d'air adéquates.**
- Produits pour l'extérieur seulement: Cet appareil ne doit pas être installé à l'intérieur ni dans une structure qui empêche la dissipation des gaz de combustion dans l'environnement extérieur.
- S'il y a lieu, la version de millivolt de cet appareil utilise et requiert un thermocouple à action rapide. Remplacez uniquement par un thermocouple à action rapide de Wolf Steel Itée

 AVERTISSEMENT: Ce produit peut vous exposer à des substances chimiques incluant le plomb et les composés de plomb qui, selon l'État de Californie, causeraient le cancer, et des substances chimiques incluant le monoxyde de carbone qui, selon l'État de Californie, causeraient des malformations congénitales ou autres dangers pour la reproduction. Pour de plus amples renseignements, visitez le www.P65Warnings.ca.gov.

 AVERTISSEMENT/ADVERTENCIA 	
RISQUE D'INCENDIE / RETARD D'ALLUMAGE	RIESGO DE INCENDIO / PELIGRO DE ENCENDIDO DEMORADO
Une pression d'alimentation élevée peut endommager la soupape et ses composantes.	El suministro a alta presión dañará la válvula/los controles.
Débrancher la soupape de gaz de la ligne d'alimentation en gaz pendant les essais de pression de ce système lorsque les pressions excèdent 1/2 lb/po2 (3,5 kPa).	Desconectar la válvula/el control principal de gas del aparato del caño de suministro cuando se compruebe la presión del sistema a más de 1/2 psi (3.5 kPa).
Isoler l'appareil en fermant la soupape d'arrêt pendant tout essai de pression du système d'alimentation en gaz lorsque les pressions sont de 1/2 lb/po2 (3,5 kPa) ou moins.	Aislar el aparato con su válvula de cierre durante cualquier comprobación de la presión de la cañería de suministro a una presión igual o inferior a 1/2 psi (3.5 kPa).
	
	

table des matières

FR

1.0	information générales	85	6.6	accès aux contrôles	122
1.1	taux et efficacités	86	6.7	câblage	122
1.2	vérification d'installation	87	6.8	application contrôleur eFIRE	122
1.3	vue d'ensemble d'installation	88	6.8.1	TLV50 / TLV50_2 schéma de câblage	123
1.4	emplacement de la plaque d'homologation / des instructions d'allumage	90	6.8.2	TLV62 / TLV62_2 / TLV74 / TLV74_2 schéma de câblage	124
1.5	installation dans une maison mobile	91	7.0	branchement du gaz	125
1.6	liste de pièces	91	8.0	opération	126
1.7	installation / retrait des poignées de levage	91	8.1	veilleuse sur demande	127
2.0	dimensions	92	9.0	installation des pattes de cloutage	128
2.1	simple face	92	10.0	encadrement fini - après l'installation de l'appareil	129
2.2	transparent	93	10.1	encadrement avec des matériaux incombustibles	129
3.0	exigences d'évacuation	94	11.0	finitions	132
3.1	installations typiques d'événements	96	11.1	restriction de placement des attaches	132
3.2	emplacements et dégagements minimaux de la terminaison	98	11.2	finition avec les matériaux incombustibles	133
3.3	terminaison horizontale (gaz naturel)	99	11.3	installation de matériau incombustible	135
3.4	terminaison verticale (gaz naturel)	102	11.4	dégagements minimaux de la tablette combustible	136
3.5	terminaison horizontale (propane)	103	11.5	restrictions pour monter un téléviseur (sans DHC ^{MD})	137
3.6	terminaison verticale (propane)	106	11.6	installation / enlèvement de la barrière de protection	138
4.0	encadrement approximatif - avant l'installation de l'appareil	107	11.7	installation / enlèvement de la porte	138
4.1	dimensions minimales de l'encadrement	108	11.8	installation / enlèvement de média	140
4.1.1	dégagements minimaux de l'enceinte	109	11.9	ajustement des garnitures de finitions	141
4.2	installation du cadre avant	112	12.0	ajustements	142
5.0	installation d'évacuation	112	12.1	renstreignant des événements verticaux	142
5.1	assemblage de l'espaceur coupe-feu	113	12.2	réglage du venturi	142
5.2	installation horizontale	114	12.3	réglage de la veilleuse	143
5.3	installation verticale	115	12.4	caractéristiques de la flamme	143
5.4	utilisation de composants flexibles d'évacuation	116	13.0	entretien	144
5.4.1	installation de la terminaison horizontale	116	13.1	entretien annuel	145
5.4.2	installation de la terminaison verticale	117	13.2	accès aux contrôles	145
5.4.3	raccordement des événements à l'appareil	117	13.3	enlèvement du brûleur	146
5.5	renstreignants d'événements verticaux	118	13.4	enlèvement de la soupape	146
5.5.1	TLV50 / TLV50_2	118	13.5	enlèvement du module de contrôle	147
5.5.2	TLV62 / TLV62_2 / TLV74 / TLV74_2	118	13.6	remplacement DEL	148
5.6	installation de bouclier d'événement	119	13.7	remplacement de la vitre / porte	149
6.0	information électriques	120	13.8	soins de la vitre	149
6.1	branchement par câble	120	13.9	soins des pièces plaquées	149
6.2	schéma de câblage du réceptacle	120	14.0	pièces de rechange	150
6.3	en cas de panne de courant	120	14.1	vue d'ensemble	151
6.4	installation du support / interrupteur de batterie	121	14.2	composants du brûleur	152
6.5	première initialisation de la télécommande / bloc-piles	121	15.0	guide de dépannage	154
			16.0	garantie	157

note:

L'information contenue dans ce manuel est jugée correcte au moment de l'impression. Wolf Steel Ltée. se réserve le droit de modifier ou de modifier toute information contenue dans ce manuel à tout moment sans préavis. Les modifications, autres que les éditoriaux, sont désignées par une ligne verticale dans la marge.

Installateur: veuillez remplir la liste de contrôle de l'appareil dans le manuel du propriétaire.

1.0 information générales

Lorsque l'appareil est installé à une altitude de plus de 4 500 pieds (1372m) et en l'absence de recommandations particulières de l'autorité compétente locale, l'indice certifié du débit à haute altitude devra être réduit au taux de 4% pour chaque 1 000ft (305m) supplémentaire. Les bruits causés par l'expansion et la contraction lors des cycles de chauffage et de refroidissement sont tout à fait normaux et il faut s'y attendre. Le changement de l'aspect de la flamme de « HI » à « LO » est plus évident pour le gaz naturel que pour le propane.

Cet appareil est approuvé pour une installation dans les salles de bain, les chambres à coucher ou les chambres studio et est certifié pour installation dans les maisons mobiles.

Cet appareil ne doit être utilisé qu'avec le type de gaz indiqué sur la plaque d'homologation. Cet appareil ne peut être converti à un autre type de gaz à moins d'utiliser un ensemble de conversion certifié.

Cet appareil est équipé d'une télécommande qui nécessite des piles. La télécommande requiert 3 piles « AAA »; en cas de panne électrique, le support / interrupteur de batterie nécessite 4 piles « AA ».

note:

Une barrière conçue pour réduire le risque de brûlures causées par le contact avec la vitre chaude est fourni avec l'appareil et doit être installé.

L'emballage de protection sur les pièces plaquées s'enlève mieux lorsque l'assemblage est à température ambiante ou lorsqu'il est chauffé à l'aide d'un séchoir à cheveux ou d'une autre source de chaleur similaire.

Cet appareil est un produit décoratif. L'appareil n'est pas une source de chaleur et un combustible solide ne doit pas être utilisé avec cet appareil.



Les piles doivent être mises au rebut conformément aux lois et à la réglementation locales. Certaines piles peuvent être recyclées dans votre centre de recyclage local. Renseignez-vous auprès de votre municipalité au sujet des directives de recyclage.

Cet appareil est approprié pour utilisation avec le système optionnel Ducted Heat Management^{MD} et Ducted Heat Management^{MD} Plus. CET MANUEL **N'INCLUS PAS** information détaillées concernant ces systèmes. L'encadrement et finition **NE SONT PAS** la même. Pour plus d'information, consultez le manuel d'installation fourni avec le kit du système Ducted Heat Management^{MD} avant de commencer l'installation.

information générales

FR

1.1 taux et efficacités

TLV50 / TLV50_2		
Type d'appareil	TLV50N	TLV50P
Type de Comburant	Gaz Naturel	Propane
Altitude (Pl)	0-4 500	
Débit max. (BTU/h)	36 000	31 500
Débit min. (BTU/h)	23 000	25,000

TLV62 / TLV62_2		
Type d'appareil	TLV62N	TLV62P
Type de Comburant	Gaz Naturel	Propane
Altitude (Pl)	0-4 500	
Débit max. (BTU/h)	44 000	38 000
Débit min. (BTU/h)	29 000	31 000

TLV74 / TLV74_2		
Type d'appareil	TLV74N	TLV74P
Type de Comburant	Gaz Naturel	Propane
Altitude (Pl)	0-4 500	
Débit max. (BTU/h)	48 000	41 500
Débit min. (BTU/h)	31 000	33 000

TLV50 / TLV62 / TLV74 / TLV50_2 / TLV62_2 / TLV74_2

	Gaz Naturel	Propane
Pression minimale d'alimentation en gaz	4.5" w.c. (11mb)	11" w.c. (27mb)
Pression maximale d'alimentation en gaz	7"* w.c. (17mb)	13" w.c. (32mb).
Pression au collecteur (lorsque le gaz circule)	3.5" w.c. (9mb)	10" w.c. (25mb)

* Pression maximale d'alimentation ne doivent pas dépasser 13" (32mb).

1.2 vérification d'installation

LISTE DE VÉRIFICATION POUR L'INSTALLATION D'UN FOYER AU GAZ

Client : _____	Date d'installation : _____
Adresse : _____	Installateur : _____
Modèle : _____	Détaillant : _____
N° de série : _____	Téléphone : _____

Cette liste de vérification est fournie uniquement à titre de référence. Elle n'est pas destinée à remplacer les instructions d'installation.

Installation du foyer

	<u>OUI</u>	<u>SI NON, VEUILLEZ EXPLIQUER POURQUOI.</u>
Le foyer est-il de niveau et fixé en place?	<input type="checkbox"/>	_____
Les matériaux incombustibles fournis avec l'appareil sont-ils installés?	<input type="checkbox"/>	_____
Le mur extérieur est-il isolé et revêtu d'une cloison sèche?	<input type="checkbox"/>	_____
Les dégagements aux matériaux combustibles sont-ils maintenus?	<input type="checkbox"/>	_____
Les bûches/ensembles décoratifs sont-ils installés conformément aux instructions?	<input type="checkbox"/>	_____
Les accessoires sont-ils installés conformément aux instructions?	<input type="checkbox"/>	_____
La porte vitrée est-elle correctement scellée et dégagée?	<input type="checkbox"/>	_____
L'écran de protection est-il installé et fixé en place?	<input type="checkbox"/>	_____
Tous les accessoires requis sont-ils installés?	<input type="checkbox"/>	_____

Installation du système d'évents

La configuration du système d'évents est-elle conforme aux paramètres?	<input type="checkbox"/>	_____
Le système d'évents a-t-il été scellé avec le scellant approprié?	<input type="checkbox"/>	_____
Le système d'évents est-il supporté et fixé en place?	<input type="checkbox"/>	_____
Est-ce que tous les dégagements aux matériaux combustibles sont maintenus?	<input type="checkbox"/>	_____
Les coupe-feu et les écrans appropriés sont-ils correctement installés?	<input type="checkbox"/>	_____
La terminaison est-elle de niveau, fixée en place et scellée?	<input type="checkbox"/>	_____

Gaz et électricité

Le foyer a-t-il été converti au propane?	<input type="checkbox"/>	_____
Si oui, le foyer a-t-il une évacuation forcée ?		
La pression d'alimentation a-t-elle été vérifiée?	<input type="checkbox"/>	_____
Est-ce que tous les raccords de gaz ont été testés pour des fuites?	<input type="checkbox"/>	_____
Le raccordement de l'alimentation de 110 V CA au foyer est-il conforme?	<input type="checkbox"/>	_____
Est-ce que tous les fils électriques sont protégés contre les dommages?	<input type="checkbox"/>	_____

Finition

Les matériaux incombustibles sont-ils utilisés selon les instructions?	<input type="checkbox"/>	_____
Les instructions relatives à l'enceinte ont-elles été transmises à l'entrepreneur?	<input type="checkbox"/>	_____
Les dimensions minimales de l'enceinte sont-elles conformes?	<input type="checkbox"/>	_____
Les dégagements du manteau combustible sont-ils conformes?	<input type="checkbox"/>	_____

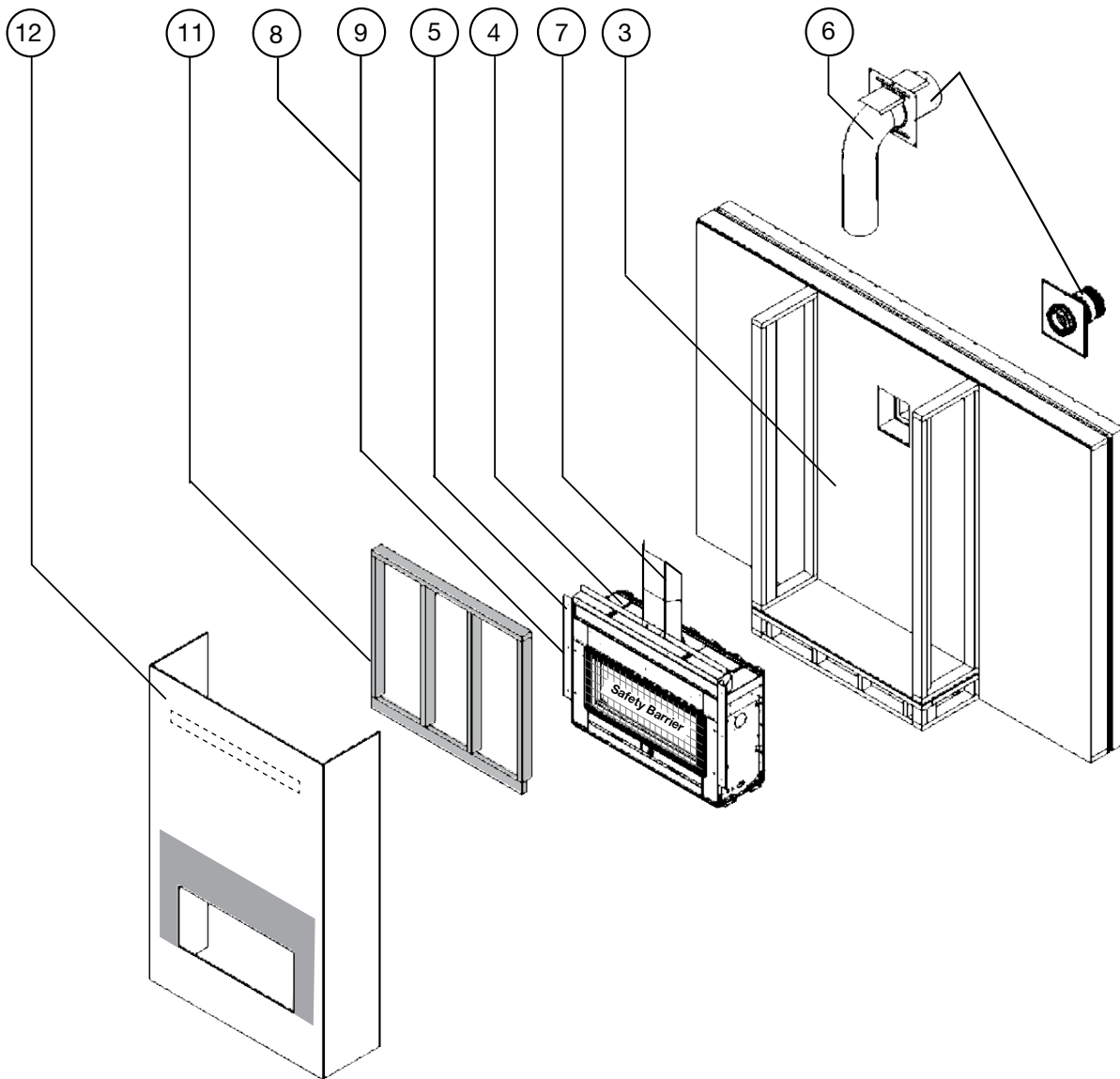
Mise en service

Est-ce qu'un test d'allumage a été effectué et tout le fonctionnement du foyer vérifié?	<input type="checkbox"/>	_____
Les consignes de sécurité et d'allumage ont-elles été revues avec le propriétaire?	<input type="checkbox"/>	_____
Le manuel d'instructions a-t-il été remis au propriétaire?	<input type="checkbox"/>	_____

information générales

FR

1.3 vue d'ensemble d'installation



Étapes d'installation recommandés:

1. Déterminer les exigences de ventilation avant de décider de l'emplacement final de l'appareil
- 2. Planifier l'enceinte, l'encadrement, les façades, les accessoires, etc.**
3. Installez un encadrement brut (voir la section « encadrement approximatif »).
4. Placez l'appareil dans sa position finale.
5. Installez les pattes de cloutage (reportez-vous à la section « installation des pattes de cloutage »).
6. Installez l'évacuation de l'appareil (reportez-vous à la section « Installation de ventilation »).
7. Installez le pare-brise (reportez-vous à la section « installation du bouchon d'évent »).
8. Installez tous les câblages électriques (reportez-vous à la section « informations électriques »).
9. Installez les conduites de gaz (reportez-vous à la section « installation de gaz »).
10. Tester l'appareil.
11. Encadrement complet (se référer à la section « finition du cadre »).
12. Finition (se référer à la section « finition »).
13. Complétez la liste de vérification de l'installation dans le manuel du propriétaire et appliquez le numéro de série au manuel du propriétaire.

note:

Pour les étapes d'installation Dynamic Heat Control^{MD}/Ducted Heat Management^{MD}, reportez-vous à la notice fournie avec le kit. Démarrez l'installation Dynamic Heat Control^{MD}/Ducted Heat Management^{MD} avant l'étape 3 (placez l'appareil dans sa position finale).

AVERTISSEMENT

- Allumez toujours la veilleuse, que ce soit pour la première fois ou lorsque l'approvisionnement en gaz est épuisé, avec la porte vitrée ouverte ou retirée.
- Prévoyez un accès suffisant pour entretenir et opérer l'appareil.
- Assurez-vous d'une quantité suffisante d'air de ventilation.
- N'obstruez jamais l'ouverture de l'appareil.
- Les objets placés devant l'appareil doivent être gardés à une distance d'au moins 48" (121,9cm) de la face vitrée de l'appareil.
- Les surfaces autour et surtout au-dessus de l'appareil peuvent devenir chaudes. Ne touchez pas l'appareil quand il fonctionne.
- Risque d'incendie ou d'explosion.
- Les pressions élevées endommageront la soupape. L'alimentation en gaz doit être débranchée pendant les essais de pression de ce système lorsque les pressions d'essai excèdent 1/2 PSIG. Fermez la soupape d'arrêt manuelle pendant tout essai de pression du système d'alimentation en gaz lorsque la pression est de 1/2 PSIG (35mb) ou moins.
- N'utilisez que les accessoires optionnels et les pièces de rechange approuvés par Wolf Steel pour cet appareil. L'utilisation d'accessoires non listés (souffleries, portes, persiennes, moulures, composants de gaz, composants d'évacuation, etc.) pourrait être non sécuritaire et annulera la garantie et la certification.
- L'appareil ne doit pas être utilisé aux températures au-dessous de zéro (32°F / 0°C). Permettre à l'appareil pour réchauffer au-dessus de zéro avant le fonctionnement.

Cet appareil au gaz devrait être installé et entretenu par un installateur qualifié en se conformant aux codes locaux. Les pratiques d'installation peuvent varier d'une région à l'autre. Il est donc important de connaître les normes spécifiques qui s'appliquent à votre région. Par exemple, dans l'état du Massachusetts:

- Ce produit doit être installé par un plombier certifié ou un installateur pour le gaz lorsque installé dans le Commonwealth du Massachusetts.
- Le registre de l'appareil doit être enlevé ou bloqué en le soudant en position ouverte avant d'installer un encastré ou un ensemble de bûches à gaz.
- La soupape d'arrêt doit être un robinet à gaz avec une poignée en T.
- Le raccord flexible ne doit pas mesurer plus que 36 pouces (914,4mm).
- Un détecteur de monoxyde de carbone est requis dans toutes les pièces contenant des appareils alimentés au gaz.
- L'appareil n'est pas approuvé pour installation dans une chambre à coucher ou une salle de bain à moins d'être un appareil avec une chambre de combustion scellée à évacuation directe.

L'installation doit se conformer aux codes locaux. En l'absence de codes locaux, l'installation doit être conforme au Code d'installation du gaz naturel et du propane CSA B149.1 au Canada ou au National Fuel Gas Code, ANSI Z223.1 / NFPA 54 aux États-Unis. Cet appareil convient pour installation dans une maison mobile si l'installation est conforme aux normes actuelles pour les maisons mobiles équipées au gaz CAN/CSA Z240 SÉRIE MM au Canada ou selon les normes ANSI Z223.1 et NFPA 54 aux États-Unis.

L'alimentation de gaz de l'appareil doit être débranchée pendant les essais de pression de ce système lorsque les pressions d'essai excèdent 1/2 lb/po² (3,5 kpa). Fermez la soupape d'arrêt manuelle pendant tout essai de pression du système d'alimentation en gaz lorsque la pression est de 1/2 lb/po² (3,5 mb) ou moins. Si la soufflerie ou ventilateur est installer la boîte de dérivation doit être branchée au circuit électrique et mise à la terre conformément aux codes locaux. En l'absence de codes locaux utilisez la version courante du Code Canadien de l'Électricité CSA C22.1 au Canada ou le National Electrical Code ANSI/NFPA 70 aux États-Unis. Dans le cas où le soufflerie est équipé d'un cordon d'alimentation il doit être connecté à une réceptacle correctement mise à la terre. La fiche de mise à la terre ne doit pas être retiré du cordon d'alimentation.

Ce qui suit ne s'applique pas aux foyers encastrés; tant que les distances requises pour les dégagements aux matériaux combustibles sont respectées, le meilleur endroit pour un appareil est le centre de la maison, car ceci permet une meilleure utilisation de la chaleur fournie. L'emplacement des fenêtres, des portes et la circulation dans la pièce où se trouve l'appareil devront être pris en considération. Si possible, vous devriez choisir un emplacement où le système d'évent peut passer à travers la maison sans avoir à découper des solives de plancher ou de toit, sauf indication contraire à l'essai.

**NATIONAL
FIREPLACE
INSTITUTE**



CERTIFIED
www.nficertified.org

Nous suggérons que nos appareils au gaz soient installés et que l'entretien soit effectué par des professionnels certifiés par le National Fireplace Institute® (NFI) comme spécialiste du gaz NFI.

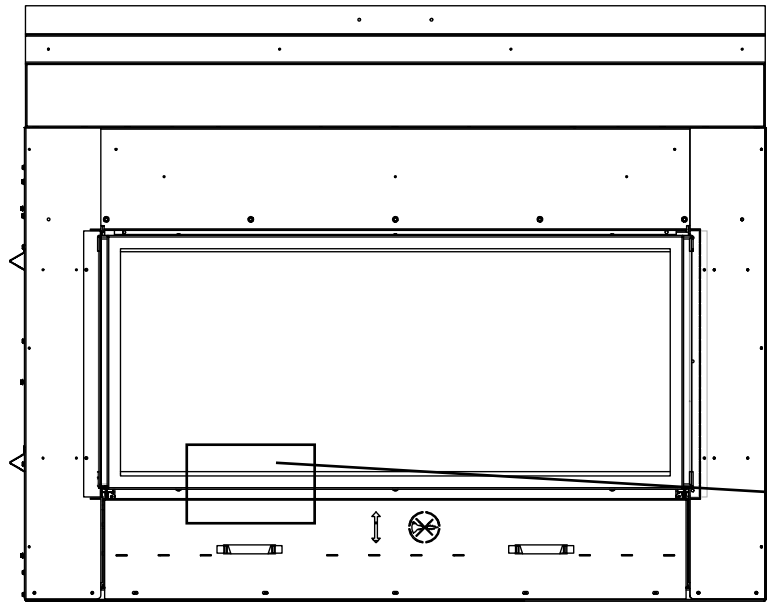
information générales

FR

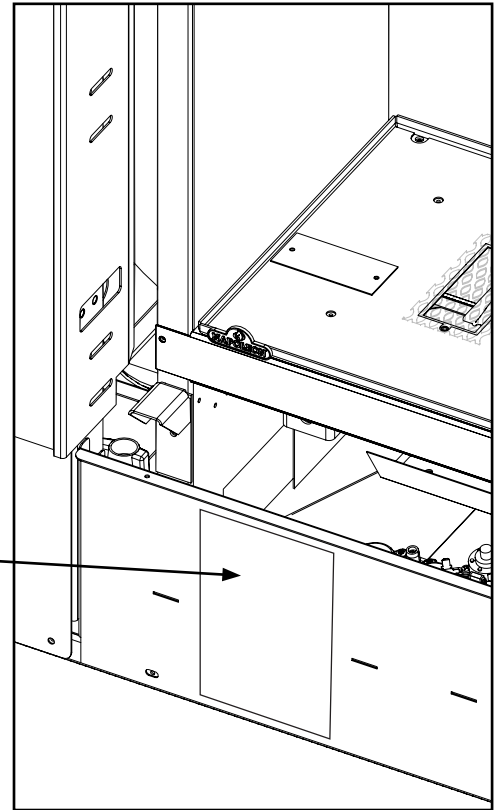
1.4 emplacement de la plaque d'homologation / des instructions d'allumage

La plaque d'homologation et les instructions d'allumage sont attachés à une châîette située à gauche des contrôles de l'appareil, près de la soupape. Retirez la façade pour accéder aux contrôles de l'appareil. Consultez la section « installation / enlèvement de la barrière de protection » pour obtenir des instructions détaillées concernant l'enlèvement.

Pour remettre la façade en place, glissez les instructions près des contrôles de l'appareil et réinstallez la barrière de protection.



emplacement de la plaque d'homologation



Certified to Canadian and American National Standards: **CSA 2.22-XXXX / ANSI Z21.50-XXXX for Vented Decorative Gas Appliances**
 Certifié selon les normes Nationales Canadiennes et Américaines: **CSA 2.22-XXXX / ANSI Z21.50-XXXX pour les Appareils à gaz décoratifs à évacuation**

Direct vent, vented gas fireplace. Approved for bedroom, bathroom and bed-sitting room installation. Suitable for mobile home installation, if installed in accordance with the current standard CAN / CSA 2240MH Series gas equipped mobile homes in Canada, or, in the United States, the Manufactured Home Construction and Safety Standard, Title 24 CFR, Part 3280. When this US Standard is not applicable, use the Standard for Fire Safety Criteria for Manufactured Home Installations, Sites and Communities, ANSI / NFPA 501A. This appliance must be installed in accordance with local codes. If any, if none, follow the current ANSI Z223.1 or CSA B149. **For use with barrier WXXXX-XXXX. Follow installation instructions.**
 Foyer à gaz ventilé. Homologué pour installation dans une chambre à coucher, une salle de bain et un studio. Apprôprié pour installation dans une maison mobile à son installation conforme aux exigences de la norme CAN / CSA 2240MH Série de maisons mobile équipées au gaz en vigueur au Canada, ou, aux États-Unis selon la norme 24 CFR, Part 3280, Manufactured Home Construction and Safety Standard. Dans le cas où cette norme d'États-Unis n'est pas pertinente, utiliser la norme NFPA 501A, Fire Safety Criteria for Manufactured Home Installations, Sites and Communities. Installer l'appareil selon les codes ou règlements locaux ou, en l'absence de tels règlements, selon les codes d'installation ANSI Z223.1 ou CSA B149 en vigueur. **Utiliser uniquement avec l'écran WXXXX-XXXX. Suivez les instructions d'installation.**

SP US
C Energy Ventiles
Énergie ventée
REFERENCE# W1746

<input type="checkbox"/> 9700539 (WSL)	<input type="checkbox"/> 4001658 (NAC)	<input type="checkbox"/> 4001657 (NGZ)	<input type="checkbox"/> 4001659 (WUSA)
--	--	--	---

<input type="checkbox"/> XXXX	<input type="checkbox"/> XXXX	<input type="checkbox"/> XXXX	<input type="checkbox"/> XXXX
<input type="checkbox"/> XXXX	<input type="checkbox"/> XXXX	<input type="checkbox"/> XXXX	<input type="checkbox"/> XXXX

MODEL / MODÈLE

Altitude	0-XXXXX (0-XXXXm)	Elevation	XXXX
Input	XX.XXX	Alimentation	XXXX
Reduced Input	XXXXX	Réduite	XXXX
PI#	XXXX	P#4	XXXX

Manifold Pressure: 10" w.c. (P)
Minimum Supply Pressure: 4.5" w.c. (P)
Maximum Supply Pressure: 7" w.c. (P)
Pression au Collecteur: 10" d'une colonne d'eau (P)
Pression d'Alimentation Min.: 4.5" d'une colonne d'eau (P)
Pression d'Alimentation Max.: 7" d'une colonne d'eau (P)
Minimum inlet pressure: not to exceed 1.5"

Manifold Pressure: 10" w.c. (P)
Minimum Supply Pressure: 11" w.c. (P)
Maximum Supply Pressure: 12" w.c. (P)
Pression au Collecteur: 10" d'une colonne d'eau (P)
Pression d'Alimentation Min.: 11" d'une colonne d'eau (P)
Pression d'Alimentation Max.: 12" d'une colonne d'eau (P)
Maximum inlet pressure: not to exceed 1.5"

Dégagements minimaux des matériaux combustibles:
 Dessus, côtés et arrière: selon les prescriptions de dégagement pour les matériaux d'ossature selon le manuel du propriétaire pour les matériaux de finition.
 Dessus: X"
 Côtés: X"
 Arrière: X"
 Dessus du conduit d'événement: X"
 Côtés et dessous du conduit d'événement: X"
 Profondeur d'encastrer une face: X"
 Tablées: X" de l'ouverture de l'appareil
 L'extension horizontale maximale: X"
 Hauteur au manuel d'installation pour des extensions plus grandes, les longueurs d'évacuation minimales et maximum.
 Backdraft rating: 115K, 60HZ. Less than 12 ampere.
 Specifications électriques: 115V, 60HZ. Moins de 12 ampère.

WARNING: Do not add any material to the appliance which will come in contact with the flames, other than that supplied by the manufacturer with the appliance.
AVERTISSEMENT: N'ajoutez pas à cet appareil aucun matériau devant entrer en contact avec les flammes, autre que celui qui est fourni avec cet appareil par le fabricant.
 The appliance must be vented using the appropriate Napoleon vent kits. See installation manual for venting specifications. Proper installation and resealing is necessary after servicing the vent-air intake system.
 L'appareil doit être ventilé à l'aide de l'ensemble d'évacuation propre à Napoleon. Référez au manuel d'installation pour les spécifications d'évacuation. Il est nécessaire de bien réinstaller et resceller l'évacuation après avoir exécuté l'entretien du système de prise d'air.

Serial Number / N° de Série: XXXX

W385-XXXX

Cette illustration est fournie à titre de référence seulement. Pour les renseignements exacts, consultez la plaque d'homologation fixée sur l'appareil.

note:
 La plaque d'homologation doit rester avec l'appareil à tout instant. Il ne doit pas être enlevé.

1.5 installation dans une maison mobile

Cet appareil doit être effectuée en respectant les directives du fabricant et le Manufactured Home Construction and Safety Standard, Title 24 CFR, Part 3280, aux États-Unis, ou les normes actuelles pour les maisons mobiles, CAN/CSA Z240 SÉRIE MH au Canada. Cet appareil ne doit être utilisé qu'avec le type de gaz indiqué sur la plaque d'homologation.

Cet appareil spécialisé dans la maison mobile / manufacturée est livré en usine avec un moyen de sécuriser l'appareil. Les supports d'expédition qui sécurisent l'appareil à la palette peuvent également être utilisés pour sécuriser l'appareil au sol pour l'installation de la maison mobile. Pour les installations de maisons mobiles, l'appareil doit être fixé en place.

Cet appareil est certifié pour être installé dans une maison mobile installée de façon permanente, sauf si les codes locaux l'interdisent.

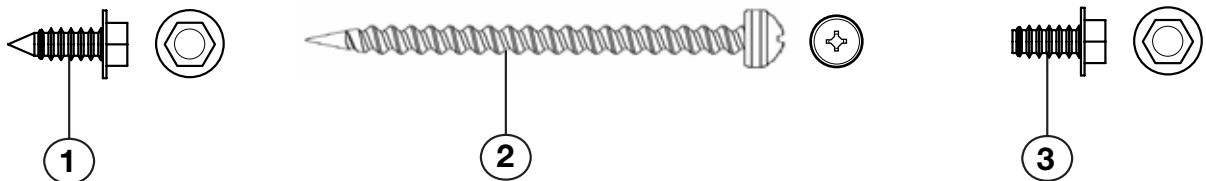
Cet appareil ne doit être utilisé qu'avec le type de gaz indiqué sr la plaque d'homologation. On ne peut utiliser cet appareil avec d'autres types de gaz, sauf si un ensemble de conversion certifié est utilisé.

Ensembles de conversion

L'appareil pour maison mobile peut être converti au gaz naturel (GN) ou au propane (P).

Pour effectuer une conversion, veuillez consulter votre détaillant autorisé.

1.6 liste de pièces



	Description	Quantité
A	Vis hexagonale en tôle à tête hexagonale	22
B	Tête en tôle à tête ronde	4
C	Boulon en tôle de tête hexagonale	18

note:

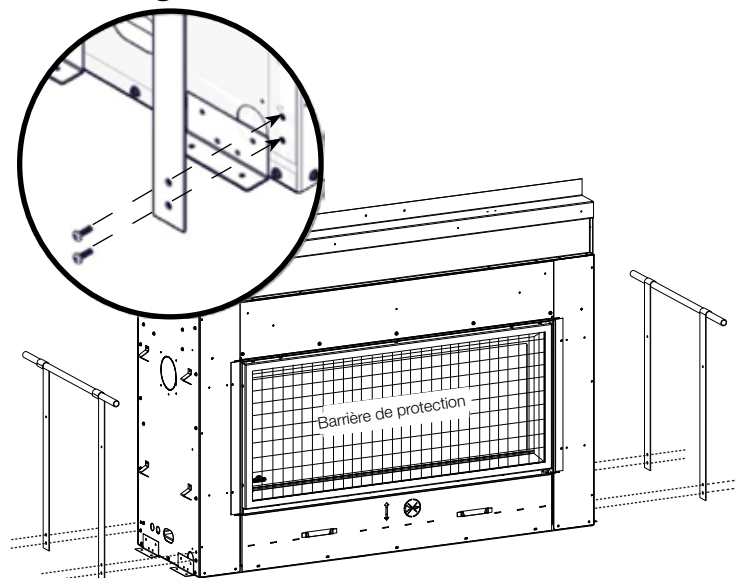
Seulement les attaches fournies avec l'appareil sont illustrées.

1.7 installation / retrait des poignées de levage

Enlever les 4 vis de chaque côté (8 total) puis installez les poignées de levage sur les côtés de l'appareil et fixer-les utilisant 4 vis par côté (8 total). Jetez-les poignées.

note:

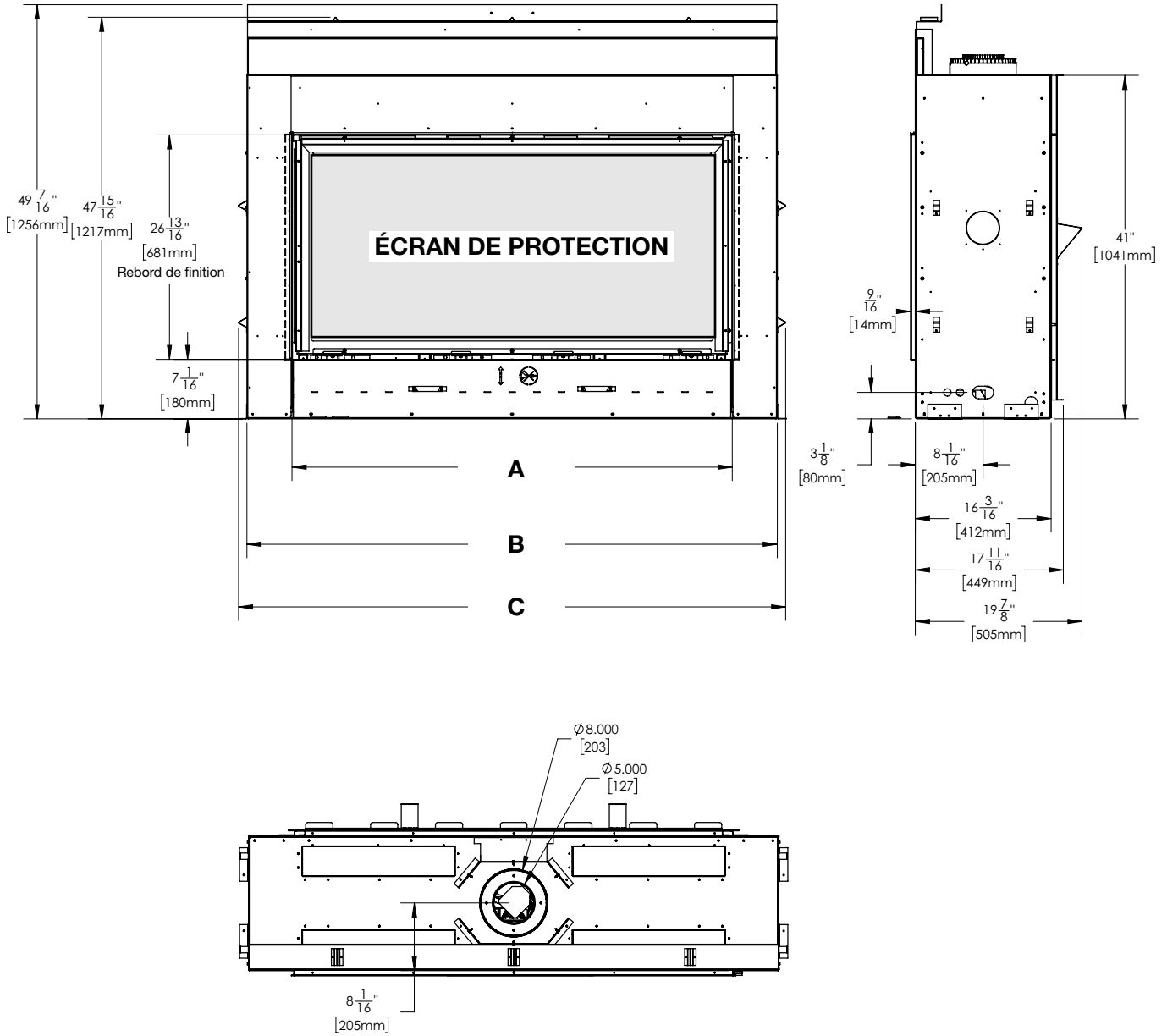
Les poignées de levage **DOIVENT** être enlevées avant de forcer l'encastrement de l'appareil.



2.0 dimensions

FR

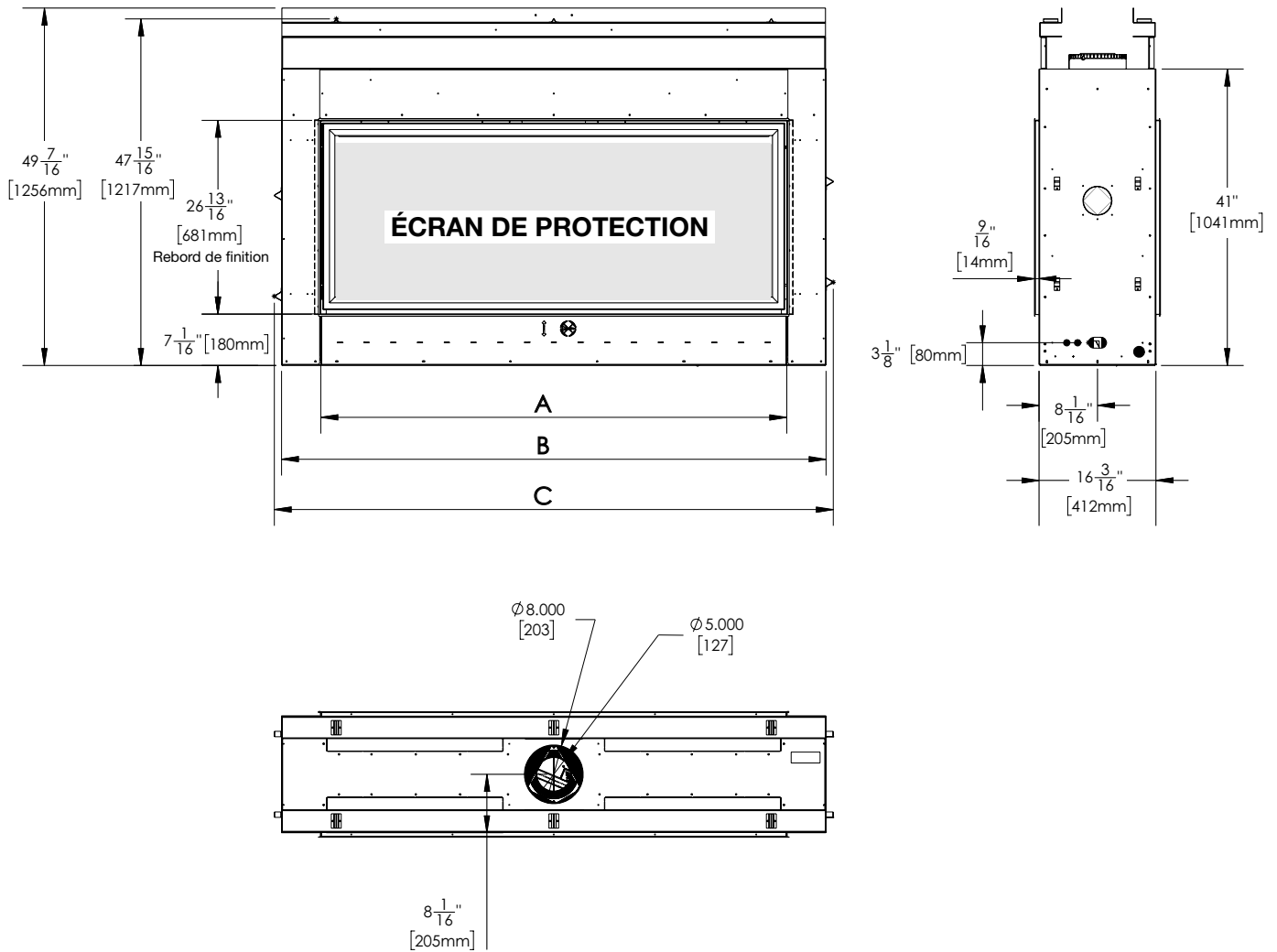
2.1 simple face



	TLV50	TLV62	TLV74
A (Rebord de finition)	52 9/16" (1335mm)	64 9/16" (1639mm)	76 9/16" (1944mm)
B	63 5/16" (1608mm)	75 5/16" (1912mm)	87 5/16" (2217mm)
C	65 5/16" (1659mm)	77 5/16" (1963mm)	89 5/16" (2268mm)

* La profondeur de la bride de finition (la bride de finition définit le périmètre de l'ouverture de la cheminée. Les matériaux de charpente ou de finition NE JAMAIS empiété à l'intérieur de la bride de finition).

2.2 transparent



	TLV50_2	TLV62_2	TLV74_2
A (Rebord de finition)	52 9/16" (1335mm)	64 9/16" (1639mm)	76 9/16" (1944mm)
B	63 5/16" (1608mm)	75 5/16" (1912mm)	87 5/16" (2217mm)
C	65 5/16" (1659mm)	77 5/16" (1963mm)	89 5/16" (2268mm)

* La profondeur de la bride de finition (la bride de finition définit le périmètre de l'ouverture de la cheminée. Les matériaux de charpente ou de finition NE JAMAIS empiété à l'intérieur de la bride de finition).

3.0 exigences d'évacuation

FR

AVERTISSEMENT

- Risque d'incendie. Conservez les dégagements nécessaires au conduit d'évent et à l'appareil.
- Les courses horizontales et verticales du système doivent être supportées à tous les 3 pi (0,9m). Utilisez l'ensemble de support mural Wolf Steel W010-0067 ou des supports incombustibles équivalents afin de conserver le dégagement minimal aux matériaux combustibles pour les courses verticales et horizontales. Des espaceurs sont fixés au conduit intérieur à intervalles prédéterminé afin de garder un espace vide avec le conduit extérieur. Pour que le fonctionnement soit sécuritaire, un espace vide est requis. Un espaceur est requis au début, au milieu et à la fin de chaque coude afin de maintenir cet espace vide. N'enlevez pas ces espaceurs.

Cet appareil utilise un système de conduits de 5" (127mm) pour l'évacuation et de 8" (203.2mm) pour la prise d'air. Veuillez consulter la section qui correspond à votre installation.

Afin d'assurer un fonctionnement sécuritaire et adéquat de l'appareil, vous devez observer les instructions d'évacuation à la lettre. Un changement à la longueur verticale minimale d'évacuation pourrait entraîner des problèmes d'allumage de brûleur et/ou des accumulations de carbone. Lorsque les configurations de l'évacuation sont à l'extrême, laissez plusieurs minutes (5-15) à la flamme pour se stabiliser après l'allumage. Prévoyez un moyen d'inspecter visuellement le raccord de l'évent à l'appareil après que ce dernier a été installé. Pas une exigence, mais elle est recommandée pour des longueurs de ventilation qui traversent non chauffés espaces (garages, greniers, vides sanitaires) être isolé avec l'isolant enveloppé dans une gaine de protection pour minimiser la condensation. Utilisez un espaceur coupe-feu, un protecteur de conduit d'évacuation ou un écran thermique de grenier lorsque les murs intérieurs, le plancher ou le plafond sont traversés.

Le terminal d'évent peut être peint avec une peinture à haute température pour correspondre aux couleurs extérieures. Utilisez une peinture extérieure appropriée pour 400° F (200° C). L'application et la performance de la peinture sont la responsabilité du consommateur. Des essais ponctuels sont recommandés. L'appareil devrait être éteint.

note:

Si, pour une raison quelconque, le système d'admission d'air de ventilation est démonté, réinstallez-le selon les instructions fournies pour l'installation initiale.

Cet appareil doit être installé avec une connexion continue des tuyaux de ventilation d'échappement et d'admission d'air. L'utilisation de constructions alternatives, comme une cheminée en tant que partie du système de ventilation, n'est pas autorisée.

Toutes les mesures d'évent commencent au collier de combustion de l'appareil.

IMPORTANT: Pour faciliter l'installation, le cadre supérieur avant peut être enlever. Le cadre supérieur avant doit être réinstaller avant d'installer les pattes de cloutages.

Sections d'évents horizontales: Un dégagement minimum aux matériaux combustibles de 3" (76mm) au-dessus hors de l'enceinte et 2" (51mm) sur les côtés at au-dessous hors de l'enceinte toute autour du conduit d'évacuation sur toutes les courses horizontales. Les sections d'évacuation horizontales dans les enceintes doit maintenir un dégagement minimaux de 6" (152mm) au-dessus du conduit d'évacuation.

Sections d'évents verticales: Un dégagement minimum aux matériaux combustibles de 1" (25mm) est requis toute autour du conduit d'évacuation sur toutes les courses verticales à l'exception des dégagements à l'intérieur de l'enceinte de l'appareil. Les courses d'évacuation verticales dans les enceintes requies un dégagement minimum de 1" (25mm) autour du conduit d'évacuation.

Utilisez uniquement des composants d'évacuation Wolf Steel, Metal-Fab, BDM, Simpson Dura-Vent, ou Selkirk Direct Temp. Les minimums et maximums des longueurs d'évent, pour les installations verticales et horizontales, dégagements entre les tuyaux de ventilation et les combustibles, et les emplacements des pris d'air de la terminaison tels que définis dans ce manuel s'appliquent à tous les systèmes de ventilation et doivent être respectés. Pour le Metal-Fab, BDM, Simpson Dura-Vent, ou Selkirk Direct Temp, suivez la procédure d'installation fournie avec les composants d'évacuation ou sur le site web de votre fournisseur de ventilation. Un adaptateur de départ doit être utilisé avec les systèmes de ventilation suivants et peut être acheté auprès de Wolf Steel ou du fournisseur correspondant indiqué ci-dessous:

Système d'Évacuation	Fabricant	Fournisseur	Site Web
SureSeal	Metal-Fab	Wolf Steel	www.mtffab.com
Direct Vent Pro	Simpson DuraVent	Wolf Steel	www.duravent.com
Pro-Form	BDM	BDM	www.dalsinmfg.com
Direct Temp	Selkirk	Selkirk	www.selkirkcorp.com
Ventis	Olympia Chimney and Venting	Olympia Chimney and Venting	www.olympiachimney.com

Les connexions effectuées au moyen d'un adaptateur sur l'appareil, ainsi que la connexion au terminal de ventilation doivent être scellées. Le scellant RTV peut être utilisé à la fois sur les joints de tuyau d'évacuation interne et d'admission externe de tous les autres systèmes d'évacuation approuvés, à l'exception du raccordement du tuyau d'évacuation au collet de fumée de l'appareil qui doit être scellé à l'aide du scellant noir haute température Mill Pac.

Pour tous les systèmes de ventilation, il est fortement recommandé pour toutes les installations, mais requis lors de l'utilisation d'un ventilateur de puissance (PVA), que les joints d'admission d'air extérieurs soient scellés à l'aide de silicone haute température (RTV) ou d'un ruban d'aluminium approprié qui couvre toute la circonférence de chaque joint dans le système de ventilation. Cela garantira les meilleures performances dans chaque application et évite les problèmes de performance ou de condensation qui peuvent survenir dans les maisons construites « étroitement », en particulier dans les climats froids.

Lorsque vous utilisez les composants d'évacuation Wolf Steel, n'utilisez que des composants rigides / flexibles d'évacuation Wolf Steel conjointement avec les ensembles de terminaison suivants : ensemble de terminaison murale **GD422R-2** ou **ST58U-1**, ensemble de terminaison pour toit de pente 1/12 à 7/12 **GD410**, ensemble de terminaison pour toit de pente 8/12 à 12/12 **GD411**, ensemble de terminaison pour toit plat **GD412** ou ensemble périscopique **GD401** (pour pénétration des murs sous le niveau de sol). Lorsque vous utilisez des conduits flexibles conjointement avec les différentes terminaisons, utilisez l'ensemble d'évents de 5 pieds (1,5m) **GD420** ou l'ensemble de 10 pieds (3,1m) **GD430**.

Pour une performance optimale de l'appareil et des flammes, gardez la longueur des événements et le nombre de coudes au minimum.

La prise d'air de la terminaison extérieure doit demeurer dégagée en tout temps. Vérifiez la prise d'air de la terminaison au moins une fois l'an pour vous assurer qu'elle n'est pas obstruée ni endommagée.

Les composants rigides et flexibles ne doivent pas être combinés. Les composants d'évacuation de différents fabricants ne doivent pas être combinés.

Ces ensembles d'évents permettent soit une évacuation verticale soit une évacuation horizontale de l'appareil. L'hauteur totale permise pour un événement vertical est de 20 pieds (6,1m). L'hauteur totale permise pour un événement vertical est de 40 pieds (12,2m). Lorsque vous utilisez des composants flexibles, le nombre maximal de raccordements est de deux horizontalement ou trois verticalement (excluant les raccordements à l'appareil et à la section de terminaison).

Tous les courses horizontales de l'évent peuvent avoir une élévation de 0" (0mm) par pied/mètre, toutefois, pour une performance optimale, toutes les courses horizontales devraient avoir une élévation minimale 1/4" par pied ou 21mm par mètre lorsque vous utilisez des composants d'évacuation flexibles. Afin d'assurer un fonctionnement sécuritaire et adéquat de l'appareil, vous devez observer les instructions d'évacuation à la lettre.

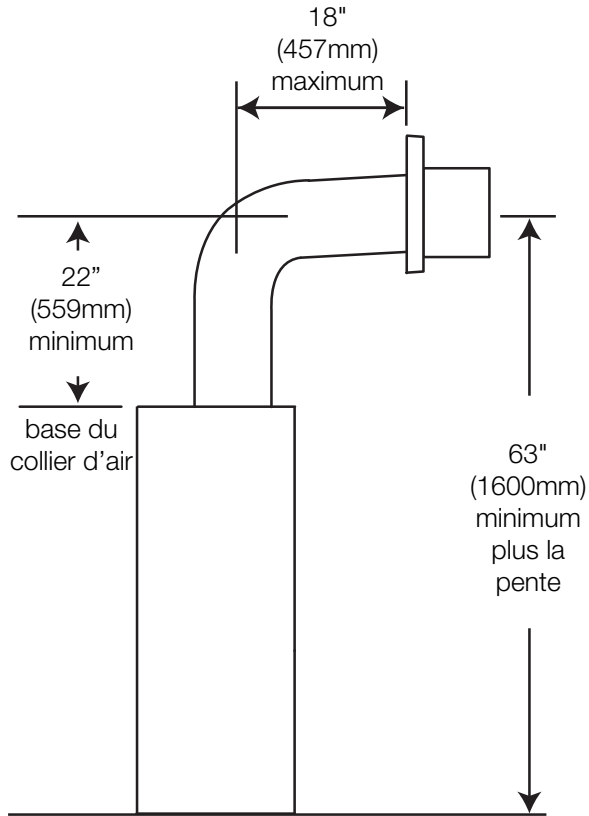
Une terminaison ne doit pas être installée directement au-dessus d'un toit ou d'une entrée pavée, située entre deux maisons unifamiliales et servant aux deux maisons. Les codes ou réglementations locaux peuvent exiger des dégagements différents.

Ne laissez pas le conduit intérieur se tasser contre les courses horizontales ou verticales et les coudes. Gardez-le tendu. Pour que le fonctionnement soit sécuritaire, un espace vide de 1/4" (31,8mm) est requis tout autour, entre le conduit intérieur et le conduit extérieur.

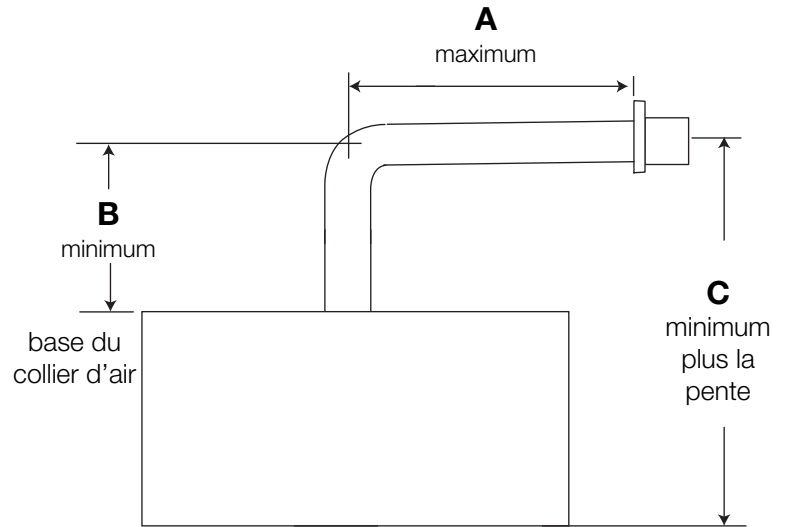
exigences d'évacuation

FR

3.1 installations typiques d'événements



SIMPLE FACE

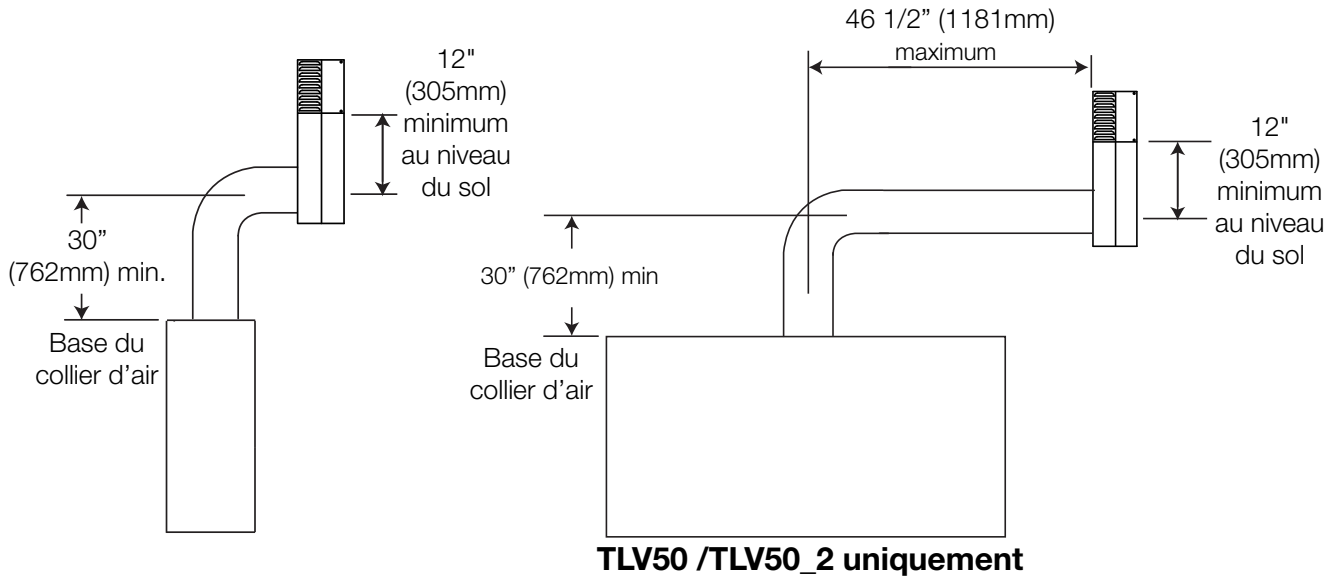


TRANSPARENT

TRANSPARENT			
	TLV50_2	TLV62_2	TLV74_2
A	46 1/2" (1181mm)	52 1/2" (1334mm)	58 1/2" (1486mm)
B	22" (559mm)	40" (1016mm)	50" (1270mm)
C	54 1/2" (1384mm)	72 1/2" (1842mm)	82 1/2" (2096mm)

installations particulières d'événements (ensemble périscopique)

Utilisez l'ensemble périscopique afin de positionner la terminaison au-dessus du niveau du sol. L'ensemble périscopique doit être installé de façon à ce que la fente d'air du bas soit située à un minimum de 12 pouces (30,5cm) au-dessus du niveau du sol. La longueur maximale permise de l'événement est de 10' (3m) pour un foyer et 8' (2m) pour un poêle.

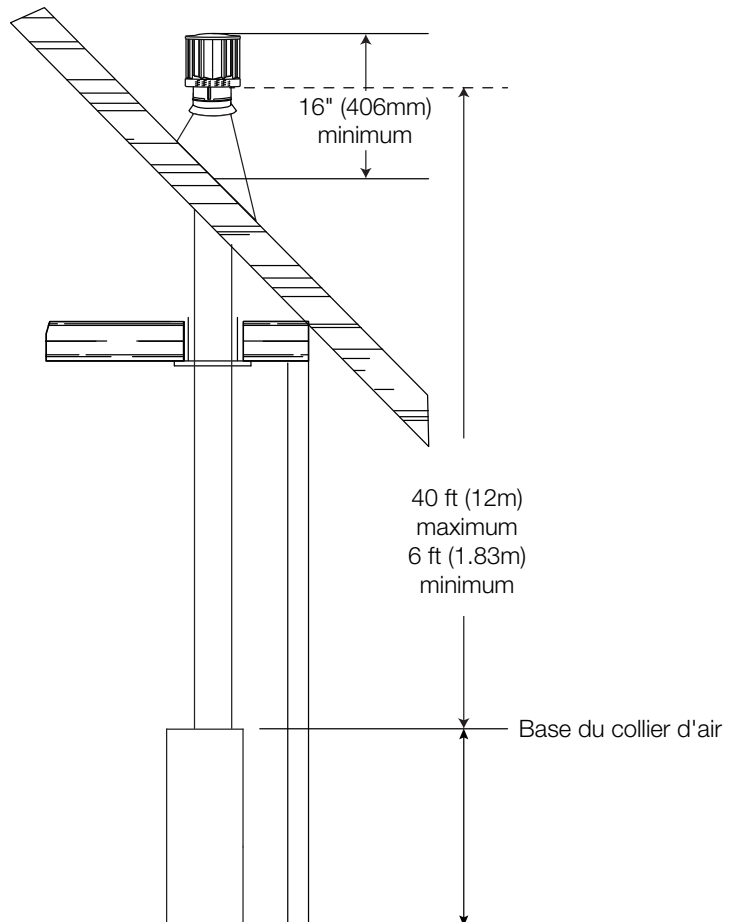


*Pour les modèles TLV62 / TLV62_2 / TLV74 / TLV74_2, utiliser le périscope 30" x 18" fourni.

SIMPLE FACE OU TRANSPARENT

note:

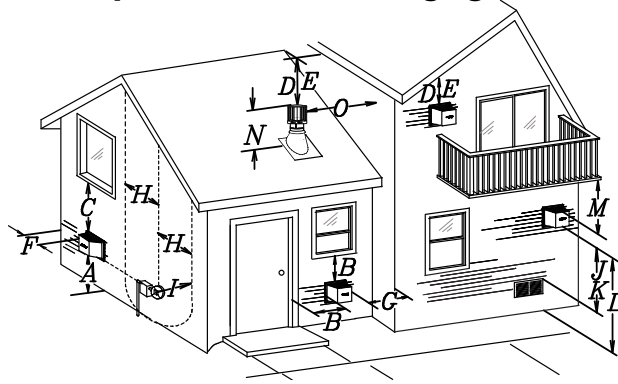
Une élévation verticale minimale de 6' (1,83m) tient compte des dimensions minimales pratiques pour l'enceinte spécifique de l'appareil et d'une structure minimale de construction. Toutefois, une élévation verticale minimale plus élevée peut être nécessaire pour conformé aux contraintes d'application spécifiques ou aux codes locaux et/ou aux exigences réglementaires.



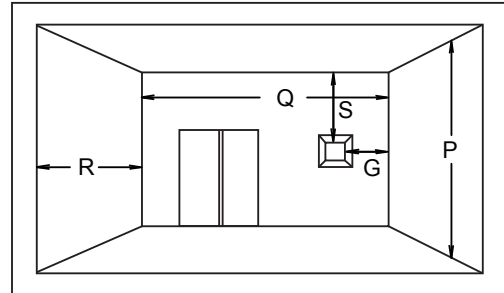
exigences d'évacuation

FR

3.2 emplacements et dégagements minimaux de la terminaison



Applications pour balcon couvert ††*



$Q_{MIN} = 3 \text{ feet}$ (0.9m)	$R_{MAX} = 2 \times Q_{ACTUAL}$	$R_{MAX} \leq 15 \text{ feet}$ (4.6m)
--------------------------------------	---------------------------------	--

	INSTALLATIONS		note:
	CANADA	É.-U.	
A	12" (30,5cm)	12" (30,5cm)	Dégagement au-dessus du sol, d'une véranda, d'une terrasse en bois ou d'un balcon.
B	12" (30,5cm) ^Δ	9" (229mm) ^Δ	Dégagement des fenêtres ou des portes qui ouvrent.
C	12" (30,5cm)*	12" (30,5cm)*	Dégagement des fenêtres fermées en permanence.
D	18" (45,7cm)**	18" (45,7cm)**	Dégagement verticale d'un soffite ventilé situé au-dessus de la terminaison si la distance horizontale est de moins de 2' (0,6m) de la ligne médiane de la terminaison.
E	12" (30,5cm)**	12" (30,5cm)**	Dégagement d'un soffite non ventilé.
F	0" (0mm)	0" (0mm)	Dégagement des murs faisant coin extérieur.
G	0" (0mm)***	0" (0mm)***	Dégagement des murs extérieurs incombustibles faisant coin intérieur ou aux obstructions incombustibles (cheminée, etc.)
	2" (51mm)***	2" (51mm)***	Dégagement des murs extérieurs combustibles faisant coin intérieur ou aux obstructions combustibles (habillage extérieur, etc.).
H	3' (0,9m)	3' (0,9m)****	Dégagement horizontale de chaque côté depuis la ligne verticale tirée du centre d'un ensemble de régulateur/compteur pour une distance verticale maximale de 15' (4,6m).
I	3' (0,9m)	3' (0,9m)****	Dégagement d l'évent du régulateur.
J	12" (30,5cm)	9" (229mm)	Dégagement d'une prise d'air de ventilation non mécanique de la maison ou d'une prise d'air de combustion de tout autre appareil.
K	6' (1,8m)	3' (0,9m) †	Dégagement d'une prise d'air mécanique.
L	7' (2,1m) ‡	7' (2,1m) ****	Dégagement au-dessus d'un trottoir ou d'une entrée pavée situées sur une propriété publique.
M	12" (30,5cm)††	12" (30,5cm)****	Dégagement sous une véranda, une porche, une terrasse en bois ou un surplomb.
N	16" (40,6cm)	16" (40,6cm)	Dégagement au-dessus du toit.
O	2' (0,6m)†*	2' (0,6m) †*	Dégagement des murs adjacents, incluant les maisons voisines.
P	8' (2,4m)	8' (2,4m)	Le toit doit être incombustible et sans ouvertures.
Q	3' (0,9m)	3' (0,9m)	Voir le tableau pour les dimensions d'un mur plus large.
R	6' (1,8m)	6' (1,8m)	Voir le tableau pour les dimensions d'un mur plus profond. La terminaison ne doit pas être installée sur quelconque mur ayant une ouverture entre la terminaison et le côté ouvert de la structure.
S	12" (30,5cm)	12" (30,5cm)	Dégagement sous un balcon ouvert.

Δ Pour les structures comportant trois murs et un toit, la terminaison doit être située à plus de 6 pieds (1,8m) sous une fenêtre s'ouvrant sur un plan horizontal.

* Recommandé afin de prévenir la formation de buée dans les fenêtres et les cassures thermiques.

** Il est recommandé d'utiliser un protecteur de chaleur et de maximiser la distance au soffite de plastique.

*** L'ensemble périscopique requiert un dégagement minimal de 18 pouces (45,7cm) d'un mur extérieur faisant coin intérieur.

**** Ceci est une distance recommandée. Vérifiez les codes locaux pour connaître les contraintes additionnelles.

† Trois pieds au-dessus si la distance horizontale est de moins de 10 pieds (3,1m).

‡ Une terminaison d'évacuation ne doit pas être installée à un endroit où elle pourrait causer une formation dangereuse de givre ou de glace sur les surfaces d'une propriété adjacente.

†† Permis seulement si la véranda ou la terrasse en bois sont complètement ouverts sur un minimum de deux côtés sous le plancher.

†* Recommandé afin d'éviter la recirculation des produits d'échappement. Vérifiez les codes locaux pour connaître les contraintes additionnelles.

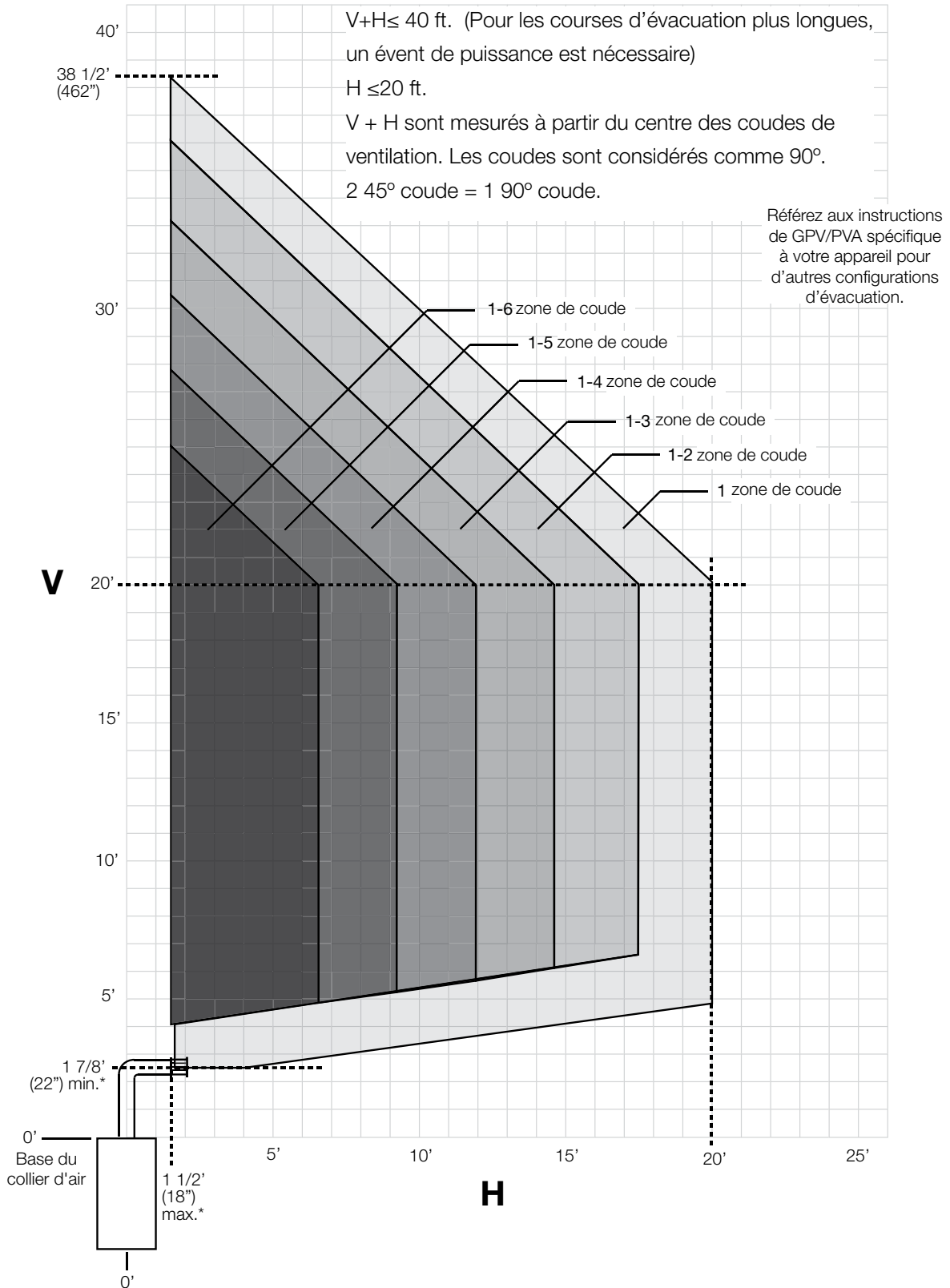
††* Permis seulement si le balcon est complètement ouvert sur au moins un côté.

note:

Les dégagements doivent être conformes aux codes d'installation locaux et les exigences du fournisseur de gaz. En leur absence, les dégagements doivent être comme indiqué ci-dessous et sont basés sur des codes nationaux.

3.3 terminaison horizontale (gaz naturel)

TLV50 / TLV62 / TLV74 SIMPLE FACE

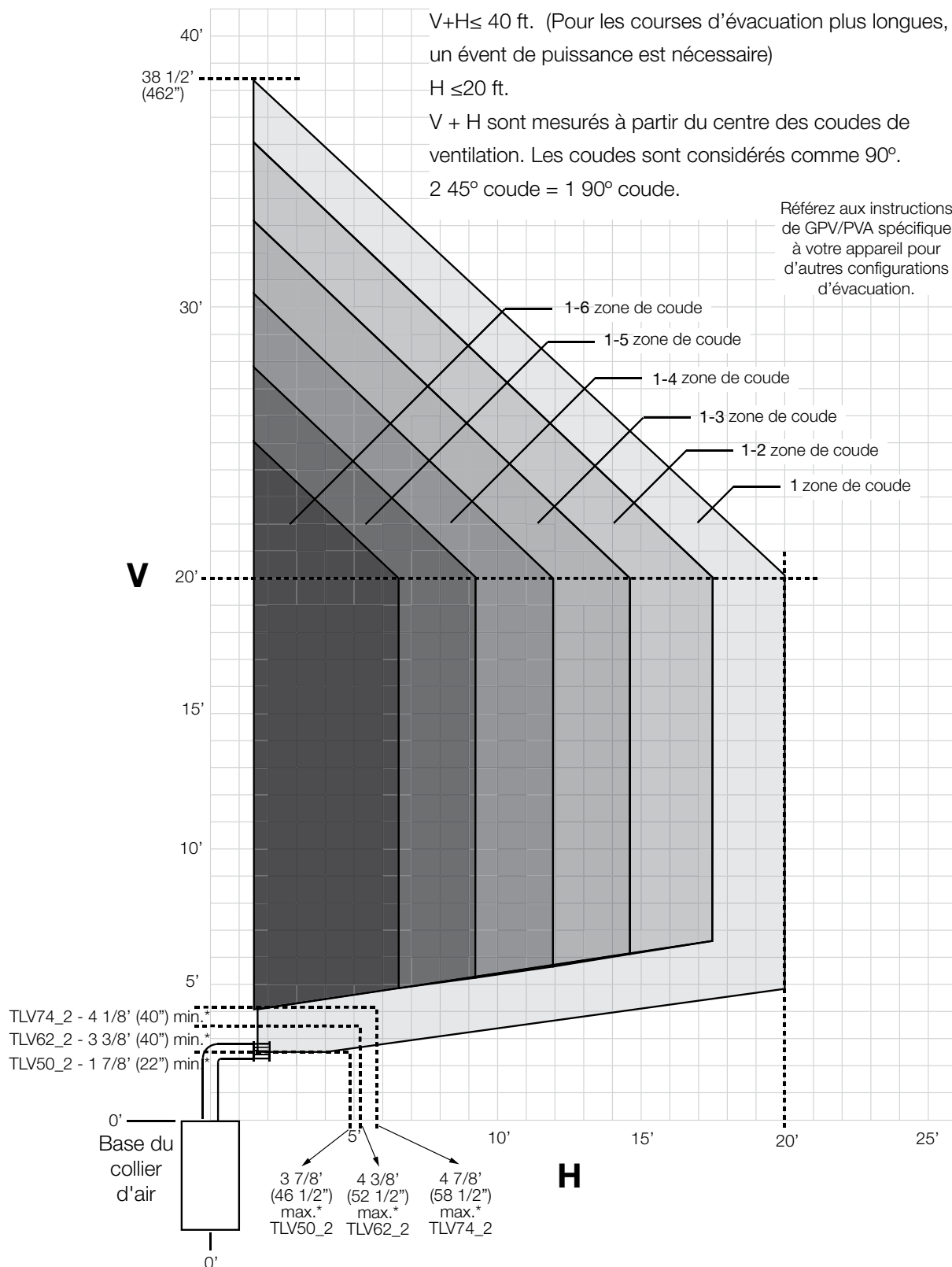


exigences d'évacuation - gaz naturel

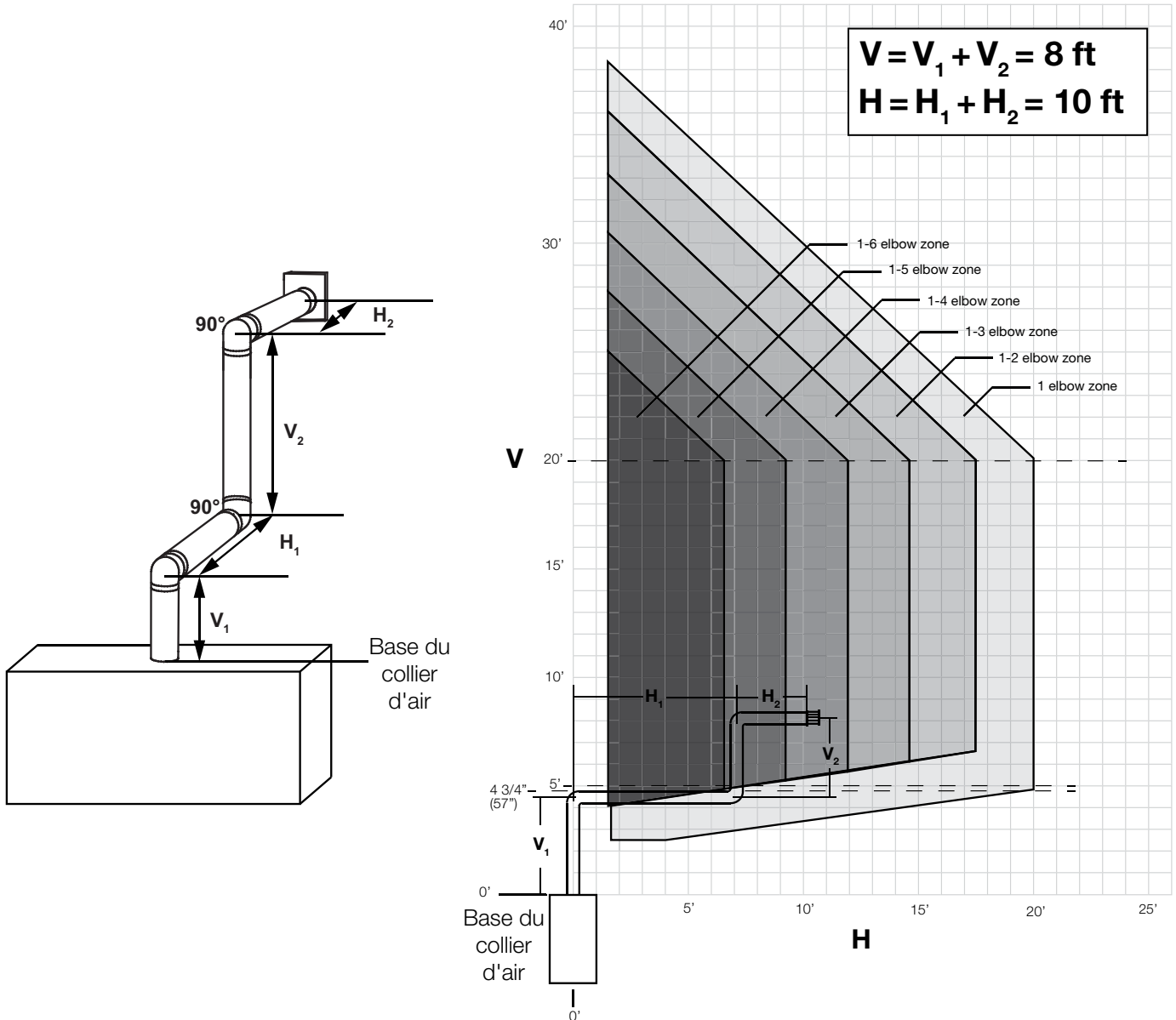
FR

ventilation flexible et rigide

TLV50_2 / TLV62_2 / TLV74_2 TRANSPARENT



ventilation flexible et rigide (GAZ NATUREL SEULEMENT)



V et H sont mesurés à partir du centre des coudes de ventilation.

Cet exemple représente un événement qui a un maximum de trois coudes, une longueur de ventilation horizontale combinée (H) de 10 pieds et une longueur d'événement verticale (V) combinée de 8 pieds

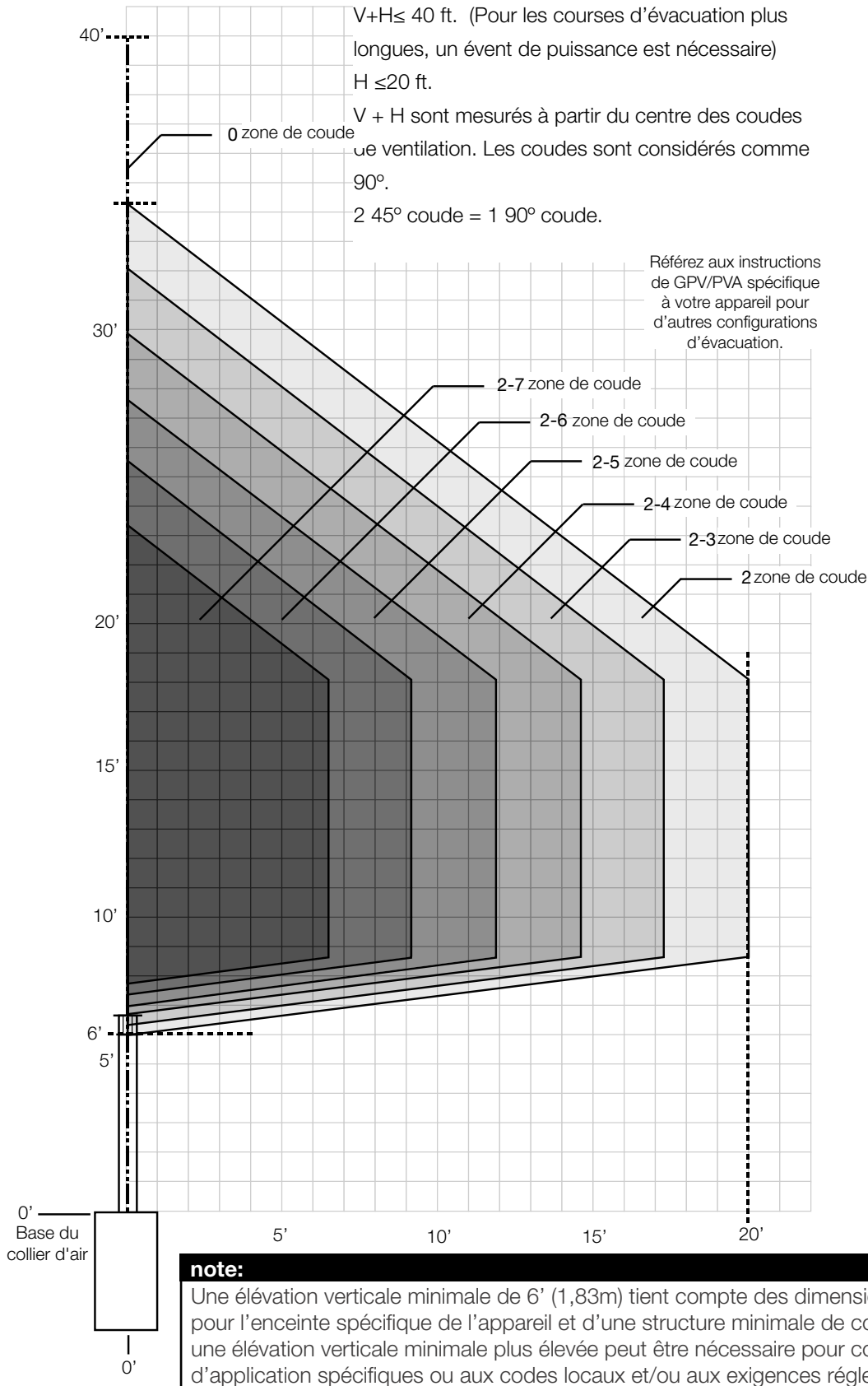
Étant donné que l'événement est situé dans la zone sombre, il se trouve dans la configuration d'événement acceptable.

exigences d'évacuation - gaz naturel

ventilation flexible et rigide

3.4 terminaison verticale (gaz naturel)

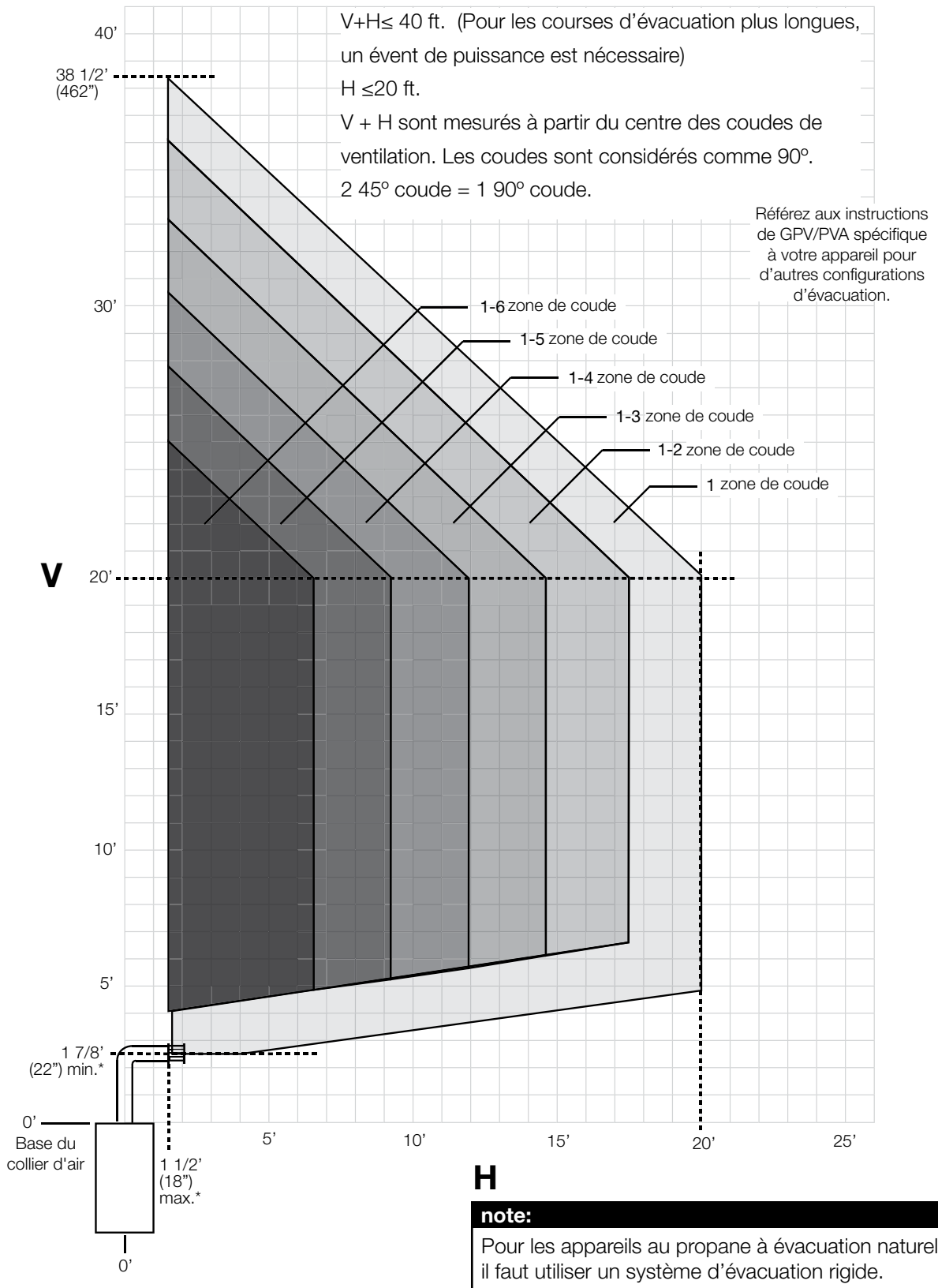
TOUS LES APPAREILS (GAZ NATUREL SEULEMENT)



évent rigide seulement

3.5 terminaison horizontale (propane)

TLV50 / TLV62 / TLV74 SIMPLE FACE

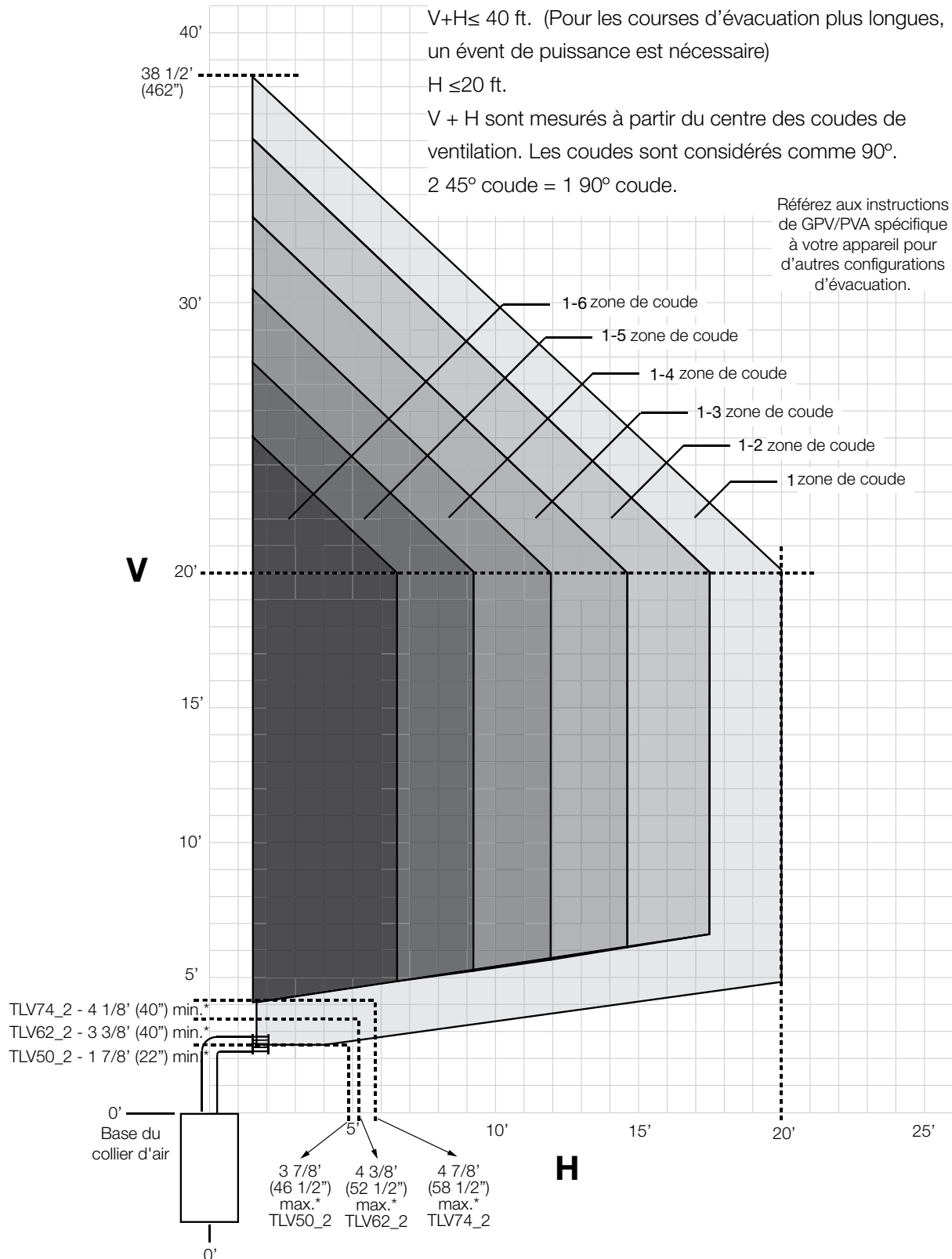


exigences d'évacuation - propane

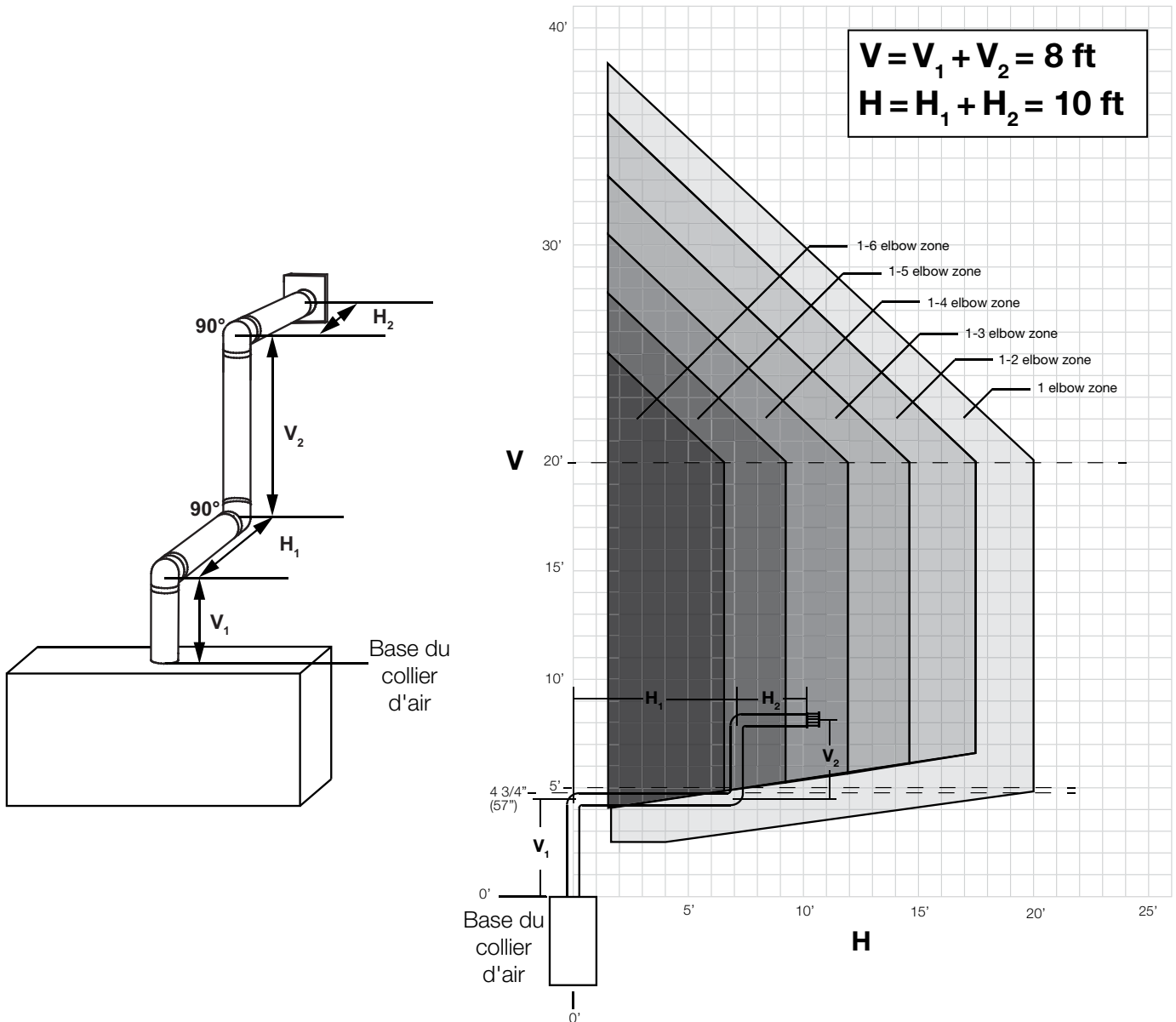
FR

évent rigide seulement

TLV50_2 / TLV62_2 / TLV74_2 TRANSPARENT



(PROPANE SEULEMENT)



V et H sont mesurés à partir du centre des coudes de ventilation.

Cet exemple représente un événement qui a un maximum de trois coudes, une longueur de ventilation horizontale combinée (H) de 10 pieds et une longueur d'événement verticale (V) combinée de 8 pieds

Étant donné que l'événement est situé dans la zone sombre, il se trouve dans la configuration d'événement acceptable.

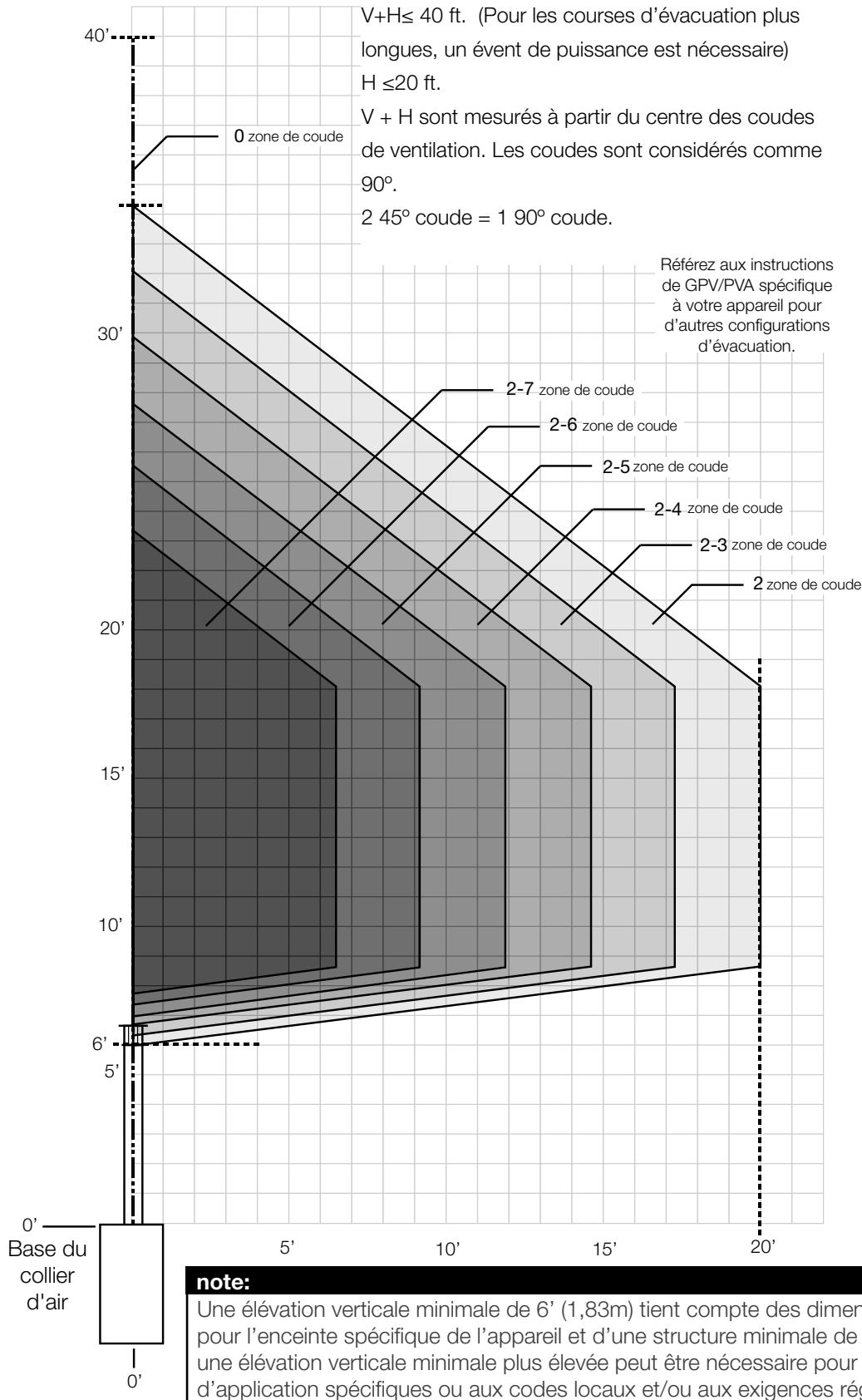
exigences d'évacuation - propane

ventilation flexible et rigide

FR

3.6 terminaison verticale (propane)

TOUS LES APPAREILS (PROPANE SEULEMENT)



4.0 encadrement approximatif - avant l'installation de l'appareil

note:

Lorsque vous installez les accessoires de finition optionelles, les dimensions de l'ossature et les matériaux de finition peuvent différer de ce qui est décrit dans ces instructions ci-dessous, voir les instructions fournies dans le trousse de l'accessoire pour les spécifications détaillées.

AVERTISSEMENT

- Risque d'incendie!
- Afin d'éviter la possibilité que de l'isolation ou un coupe-vapeur entrent en contact avec l'extérieur du caisson, il est conseillé d'installer l'appareil contre des murs finis (C.-À-D. panneau de gypse) comme tout autre mur de la maison. Ceci assurera que les dégagements aux matériaux combustibles est maintenu.
- Ne faites pas d'entailles à l'ossature autour des espaceurs. Ne pas maintenir les dégagements peut causer une surchauffe et un incendie. Empêchez tout contact avec de l'isolant qui s'affaisse, avec l'ossature ou avec tout autre matériau combustible. Bloquez l'entrée de l'enceinte pour empêcher l'infiltration d'isolant soufflé. Assurez-vous que l'isolation et les autres matériaux sont bien fixés.
- Lorsque vous construisez l'enceinte, prévoyez l'épaisseur des matériaux de finition pour maintenir les dégagements. Si l'ossature ou les matériaux de finition se trouvent à une distance inférieure à celle indiquée, ils doivent être faits d'acier, de fer, de brique, de tuile, de béton, d'ardoise, de verre ou de plâtre, ou d'une combinaison de ces matériaux sont appropriés. Les matériaux répondant à la norme ASTM E 136, méthode de test standard du comportement des matériaux dans une fournaise avec tube vertical à 1382°F (750°C), et à la norme UL763 sont considérés comme étant des matériaux non combustibles.
- Afin d'éviter un risque d'incendie, les dégagements minimaux aux matériaux combustibles doivent être maintenus.
- L'enceinte de l'appareil doit respecter la hauteur minimale requise. Mesurez à partir de la base de l'appareil.
- Si des ensembles de montants en acier avec panneau de ciment sont fournis, ou spécifié dans les instructions d'installation, ils doivent être installés.
- Si spécifié dans les instructions d'installation, les matériaux de finition doivent être non-combustibles placer éclat avec le face de l'appareil étendue du sommet de l'appareil comme le conseil de ciment, le carreau en céramique, le marbre, etc. N'utilisé pas des bûches ou le cloison sèche. N'importe quel feu à évalué du cloison sèche n'est pas acceptable.

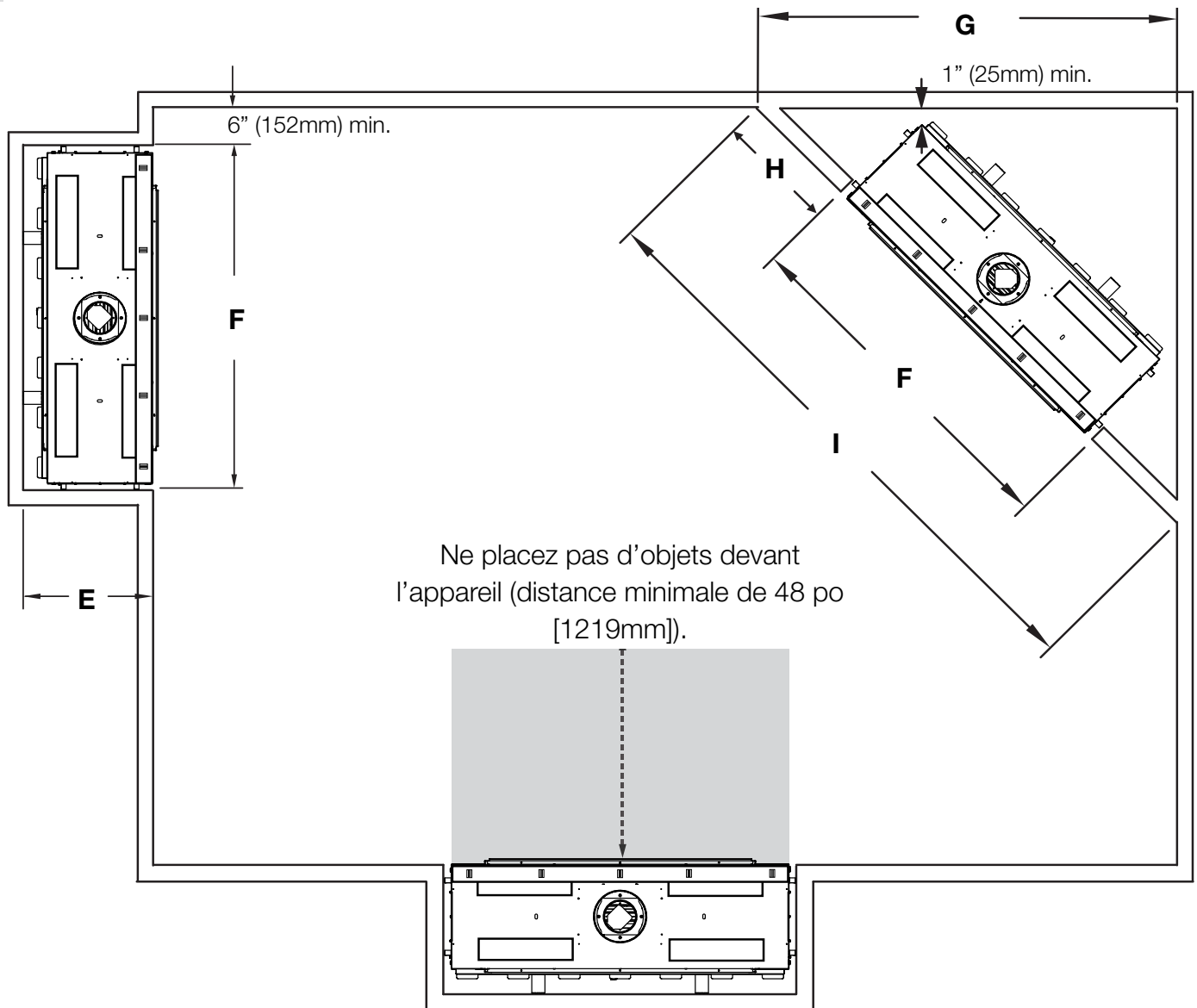
note:

Pour les matériaux de finition plus lourds comme du marbre, nous vous recommandons d'ajouter un support additionnel à l'ossature. Assurez-vous que le support de plancher est adéquat pour l'appareil et le matériau de finition.

encadrement approximatif - avant l'installation de l'appareil

FR

4.1 dimensions minimales de l'encadrement



	TLV50 / TLV50_2	TLV62 / TLV62_2	TLV74 / TLV74_2
E	20 1/8" (511mm)		
F	65 13/16" (1672mm)	77 13/16" (1976mm)	89 13/16" (2281mm)
G	71 1/8" (1807mm)	79 9/16" (2022mm)	88 1/16" (2237mm)
H	17 3/8" (442mm)		
I	102 3/16" (2595mm)	114 1/8" (2899mm)	126 1/8" (3204mm)

Sections d'événements horizontales: Un dégagement minimum aux matériaux combustibles de 3" (76mm) au-dessus hors de l'enceinte et 2" (51mm) sur les côtés et au-dessous hors de l'enceinte toute autour du conduit d'évacuation sur toutes les courses horizontales. Les sections d'évacuation horizontales dans les enceintes doit maintenir un dégagement minimaux de 6" (152mm) au-dessus du conduit d'évacuation.

Sections d'événements verticales: Un dégagement minimum aux matériaux combustibles de 1" (25mm) est requis toute autour du conduit d'évacuation sur toutes les courses verticales à l'exception des dégagements à l'intérieur de l'enceinte de l'appareil. Les courses d'évacuation verticales dans les enceintes requis un dégagement minimum de 1" (25mm) autour du conduit d'évacuation.

*Modèle d'un seul côté illustré.

encadrement approximatif - avant l'installation de l'appareil

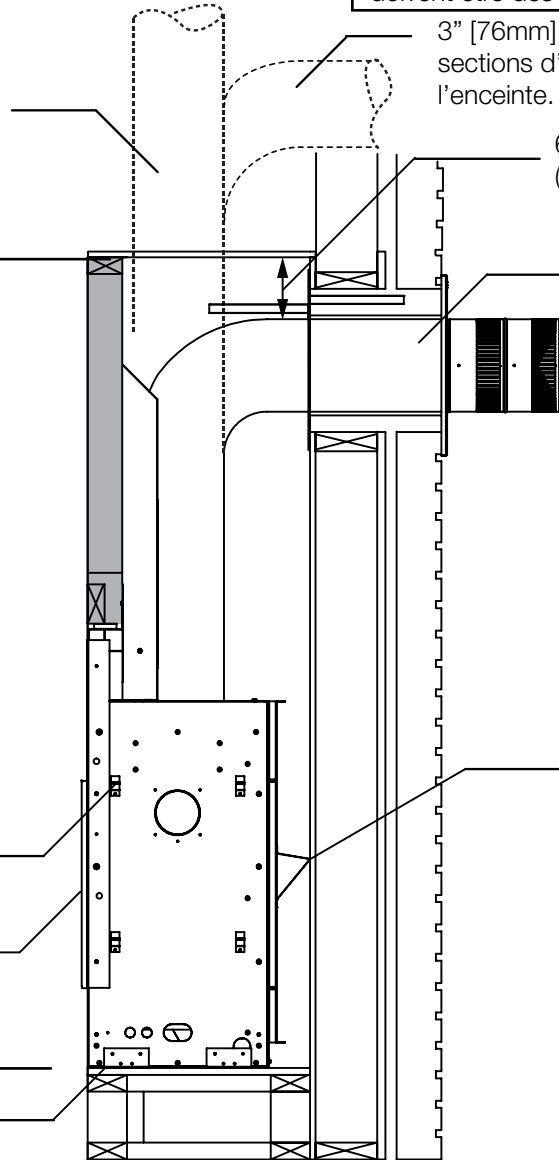
4.1.1 dégagements minimaux de l'enceinte

FR

note:

Les composants ombrés (encadrement de finition) doivent être des matériaux incombustibles.

1" [25mm] minimum tous les côtés pour les sections d'évacuation verticale.
En passant par un plafond, utilisez l'intercalaire coupe-feu W500-0028 (non fourni)



3" [76mm] (minimum chaque côtés pour les sections d'évacuation horizontale) dehors de l'enceinte.

6" [152mm] minimum (dedans l'enceinte)

3" [76mm] haut (dehors l'enceinte)

2" [51mm] côtés / bas (dehors l'enceinte)

0" aux finitions non combustibles telles que la brique et la pierre
Lorsque vous passez par un mur, utilisez l'espaceur coupe-feu W615-0162 (fourni avec l'ensemble de l'espaceur coupe-feu)

0" pour retourner les impasses

0" aux contraintes latérales

1/2" Bride de finition

0" vers le bas de l'appareil

Sections d'évents horizontales: Un dégagement minimum aux matériaux combustibles de 3" (76mm) au-dessus hors de l'enceinte et 2" (51mm) sur les côtés et au-dessus hors de l'enceinte toute autour du conduit d'évacuation sur toutes les courses horizontales. Les sections d'évacuation horizontales

dans les enceintes doit maintenir un dégagement minimum de 6" (152mm) au-dessus du conduit d'évacuation.

Sections d'évents verticales: Le premier 22" - 30" (55,8cm) du conduit d'évacuation est protégé. Une dégagement de 1" (25mm) à l'écran est requis.

dégagements minimum

Ref	TLV50	TLV62	TLV74
L	73" (1854mm)	91" (2311mm)	

note:

La séries TLV requis un minimum hauteur d'enceinte/plafond, comme illustré (dimension L), mesuré du bas de l'appareil. Pour les exigences de températures, cet espace doit être dégager. Certains configurations qui requis un enceinte plus large pour fournir les dégagements minimaux entre les conduits d'évacuation et les combustibles.

encadrement approximatif - avant l'installation de l'appareil

FR

transparent

1" [25mm] minimum tous les côtés pour les sections d'évacuation verticale.

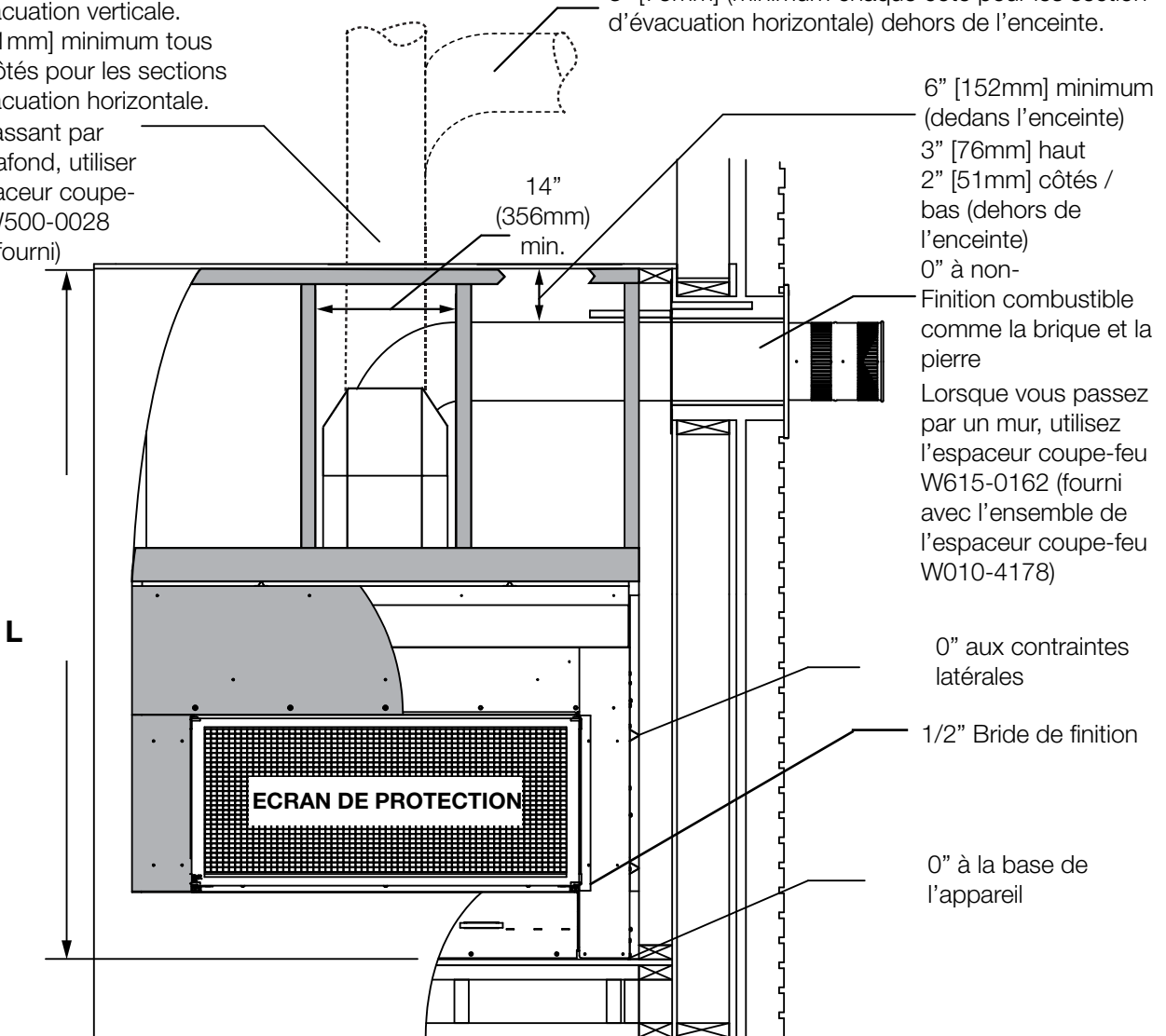
2" [51mm] minimum tous les côtés pour les sections d'évacuation horizontale.

En passant par un plafond, utiliser l'espaceur coupe-feu W500-0028 (non fourni)

note:

Les composants ombragés doivent être des matériaux incombustibles.

3" [76mm] (minimum chaque côté pour les section d'évacuation horizontale) dehors de l'enceinte.



6" [152mm] minimum (dedans l'enceinte)

3" [76mm] haut
2" [51mm] côtés /
bas (dehors de
l'enceinte)

0" à non-
Finition combustible
comme la brique et la
pierre

Lorsque vous passez
par un mur, utilisez
l'espaceur coupe-feu
W615-0162 (fourni
avec l'ensemble de
l'espaceur coupe-feu
W010-4178)

0" aux contraintes
latérales

1/2" Bride de finition

0" à la base de
l'appareil

Sections d'événements horizontales: Un dégagement minimum aux matériaux combustibles de 3" (76mm) au-dessus hors de l'enceinte et 2" (51mm) sur les côtés et au-dessous hors de l'enceinte toute autour du conduit d'évacuation sur toutes les courses horizontales. Les sections d'évacuation horizontales dans les enceintes doit maintenir un dégagement minimum de 6" (152mm) au-dessus du conduit d'évacuation.

Sections d'événements verticales: Un dégagement minimum aux matériaux combustibles de 1" (25mm) est requis toute autour du conduit d'évacuation sur toutes les courses verticales à l'exception des dégagements à l'intérieur de l'enceinte de l'appareil. Les courses d'évacuation verticales dans les enceintes requies un dégagement minimum de 1" (25mm) autour du conduit d'évacuation.

dégagements minimum

Ref	TLV50_2	TLV62_2	TLV74_2
L	73" (1854mm)	91" (2311mm)	

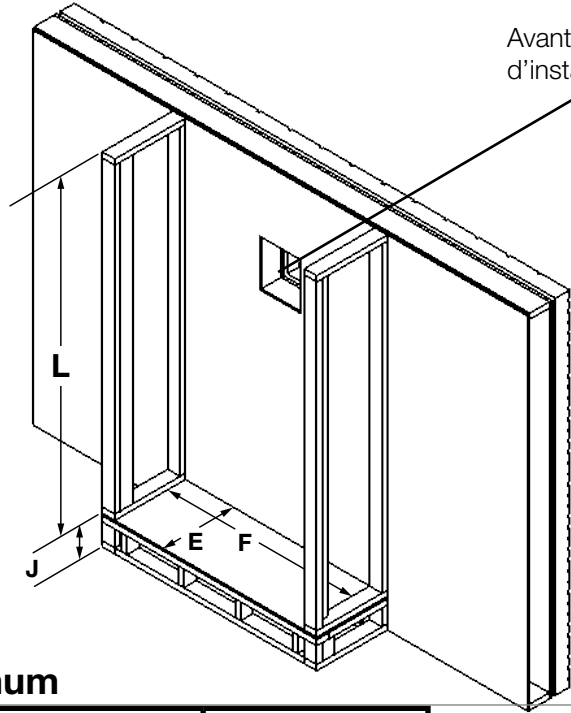
note:

La séries TLV requies un minimum hauteur d'enceinte/plafond, comme illustré (dimension L), mesuré du bas de l'appareil. Pour les exigences de températures, cet espace doit être dégager. Certains configurations qui requies un enceinte plus large pour fournir les dégagements minimaux entre les conduits d'évacuation et les combustibles.

encadrement approximatif - avant l'installation de l'appareil

Avant d'encadrer votre appareil, déterminez les exigences de ventilation avant de décider de l'emplacement final de l'appareil. Après un encadrement brut, placez l'appareil dans sa position finale.

simple face



Avant d'encadrer l'appareil, assurez-vous d'installer l'espaceur coupe-feu.

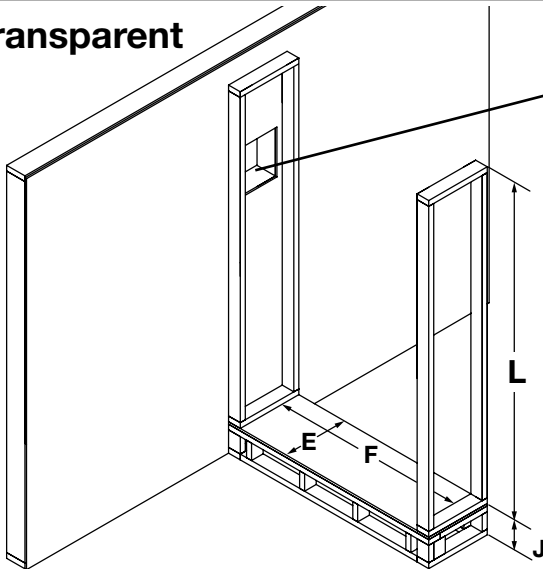
note:

La série TLV nécessite une hauteur d'enclos/plafond minimale, comme illustré (dimension L), mesurée depuis le bas de l'appareil. Pour respecter les exigences de température, cette zone doit rester dégagée. Certaines configurations de ventilation nécessitant une élévation verticale plus importante nécessiteront un enclos plus grand pour assurer un dégagement vertical minimal entre les tuyaux de ventilation et les matériaux combustibles.

dégagements minimum

Ref	TLV50	TLV62	TLV74
E	20 1/8" (511mm)		
F	65 13/16" (1672mm)	77 13/16" (1976mm)	89 13/16" (2281mm)
J	Optionnel - L'appareil ne doit pas être élevé au-dessus du plancher.		
L*	73" (1854mm)	91" (2311mm)	

transparent



Avant d'encadrer un appareil transparent, assurez-vous d'installer d'abord le pare-feu, car il ne pourra pas s'insérer entre les montants s'il est installé après l'encadrement.

note:

La série TLV requiert une hauteur d'enclos/plafond minimale, comme illustré (dimension L), mesurée depuis le bas de l'appareil. Pour respecter les exigences de température, cette zone doit être laissée dégagée. Certaines configurations de ventilation nécessitant une élévation verticale plus importante nécessiteront un enclos plus grand pour fournir un dégagement vertical minimal entre les tuyaux de ventilation et les matériaux combustibles.

dégagements minimum

Ref	TLV50_2	TLV62_2	TLV74_2
E	16 3/16" (411mm)		
F	65 13/16" (1672mm)	77 13/16" (1976mm)	89 13/16" (2281mm)
J	Optionnel - L'appareil ne doit pas être élevé au-dessus du plancher.		
*L	73" (1854mm)	91" (2311mm)	

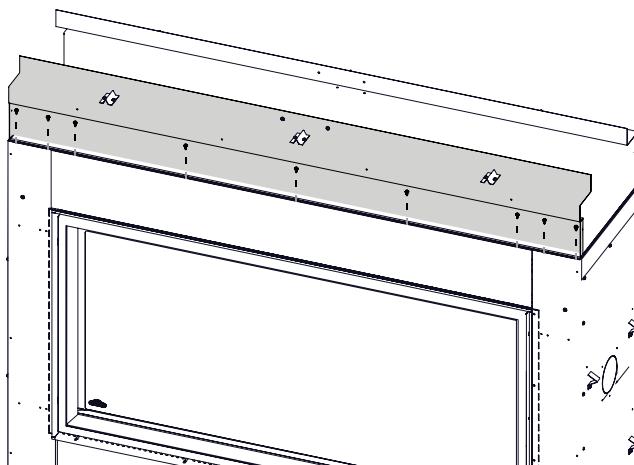
*La hauteur minimale de l'enclos/plafond peut être plus élevée en fonction de la configuration de ventilation (voir dégagement minimal par rapport aux matériaux combustibles).

encadrement approximatif - avant l'installation de l'appareil

FR

4.2 installation du cadre avant

Retirez les vis de l'appareil, installez le cadre avant, et réinstallez les vis.



5.0 installation d'évacuation

⚠ AVERTISSEMENT

- Avant d'effectuer les branchements pour l'alimentation en gaz et électronique, assurez-vous de retirer toute composante non fixée à l'intérieur de la chambre de combustion.
- **Si votre appareil comprend un système de télécommande, assurez-vous que le récepteur est à la position « OFF » avant d'effectuer les branchements pour l'alimentation en gaz et électronique.**
- Afin d'assurer un fonctionnement sécuritaire et adéquat de l'appareil, vous devez observer les instructions d'évacuation à la lettre.
- Tous les joints des conduits doivent être scellés avec du scellant de silicone rouge à haute température RTV (W573-0002) (non fourni) ou du scellant noir à haute température Mill Pac (W573-0007) (non fourni) à l'exception du raccordement du conduit d'évacuation à la buse de l'appareil qui doit être scellé avec le scellant Mill Pac.
- Si vous utilisez des colliers pour tuyau pour raccorder les composants d'évacuation, vous devez aussi installer trois vis pour vous assurer que le raccordement ne défasse pas.
- Ne serrez pas la gaine flexible.
- Risque d'incendie, d'explosion ou d'asphyxie. Si l'ensemble du système de conduit d'évent n'est pas adéquatement soutenu, il risque de fléchir ou de se séparer. Utilisez des supports de conduit et raccordez les sections de conduits selon les instructions d'installation.
- Risque d'incendie. Évitez que l'isolant touche au conduit d'évacuation. Retirez l'isolant pour permettre l'installation de l'écran protecteur du grenier et pour maintenir les dégagements aux matériaux combustibles.
- Ne remplissez pas l'espace entre le conduit d'évent et la charpente avec aucun type de matériau. Ne bourrez pas d'isolant ni de matériaux combustibles entre les espaceurs coupe-feu du plafond. Conservez toujours les dégagements requis autour des conduits d'évent et l'assemblage de l'espaceur coupe-feu. Installez les écrans muraux et les espaceurs coupe-feu tel que spécifié. Si vous ne gardez pas l'isolant ou tout autre matériau à l'écart du conduit d'évent, un risque d'incendie pourrait s'ensuivre.
- **Pour les poêles à gaz seulement:** Si l'appareil est installé directement sur un tapis, sur une surface de vinyle, ou tout autre revêtement de plancher combustible autre que le bois, l'appareil devra être monté sur un panneau continu de métal ou de bois se prolongeant sur toute la largeur et la profondeur, sauf indication contraire à l'essai.

Pour des performances optimales, il est recommandé que toutes les courses horizontales aient un minimum d'augmentation de 1/4 "(6 mm) par pied en utilisant une ventilation flexible.

note:

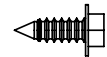
Le bouclier d'évent est télescopique et doit être réglé pour protéger toute la hauteur de l'évent vertical.

Pour l'installation du bouclier d'évent, voir la section « installation du bouclier d'évent ».

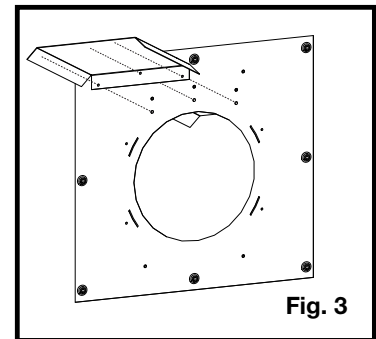
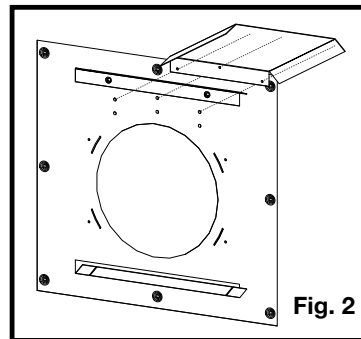
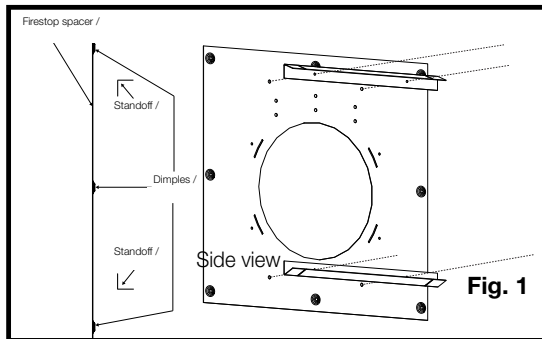
Une terminaison à évacuation mécanique permettant de réduire les dégagements est disponible. Contactez votre détaillant autorisé pour plus d'information.

5.1 assemblage de l'espaceur coupe-feu

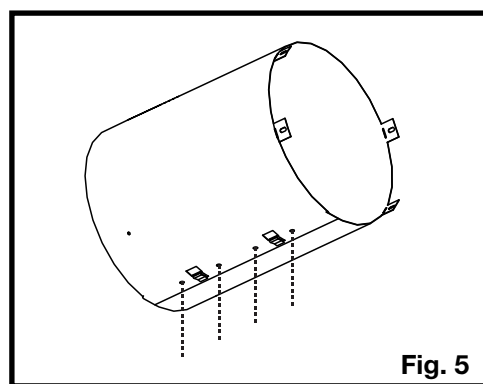
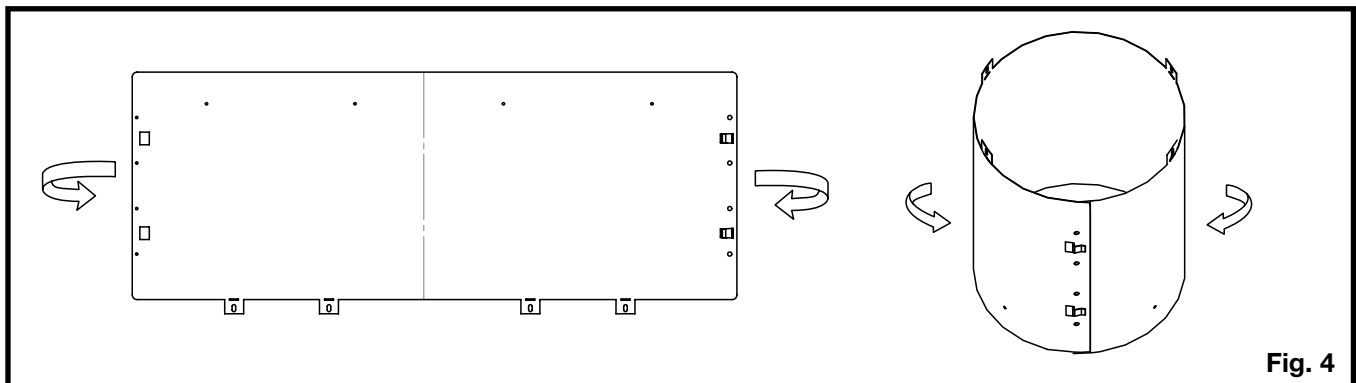
1. Installez les espaceurs sur un côté de l'espaceur coupe-feu (Figure 1).
2. Installez un écran protecteur sur le dessus d'une côté de l'espaceur coupe-feu (Figure 2).
3. Installez l'autre écran protecteur sur l'autre côté de l'espaceur coupe-feu (Figure 3).



Type 1 (x18)



4. Enlevez la douille d'évent comme illustré et assurez-vous de fixer les extrémités ensemble (**Figure 4**).
5. Assurez-vous que les deux extrémités s'alignent et fixez les extrémités avec des agrafes et des attaches (**Figure 5**).



installation d'évacuation

FR

6. Insérez les languettes des douilles d'évent dans les douilles d'espaceur de feuillard, pliez les languettes de douille d'évacuation et fixez-la à l'entretoise de foyer avec 4 attaches fournies (**Figure 6**).

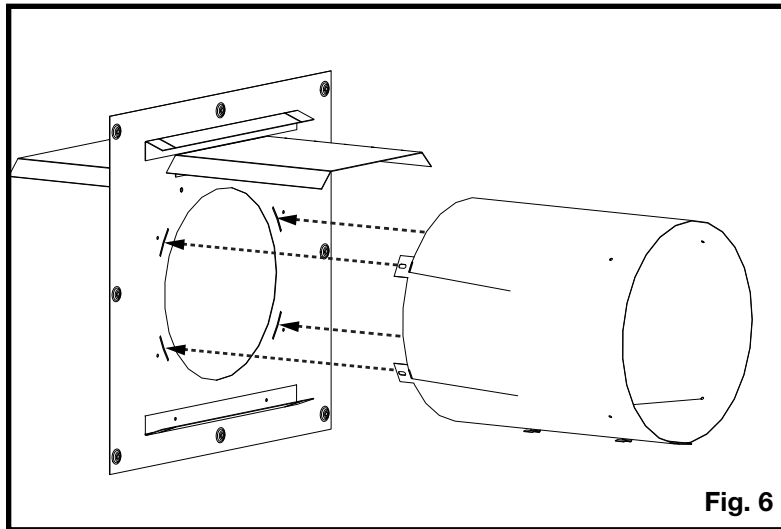


Fig. 6

note:

Notez l'orientation des fossettes et les espaceurs.

5.2 installation horizontale

! AVERTISSEMENT

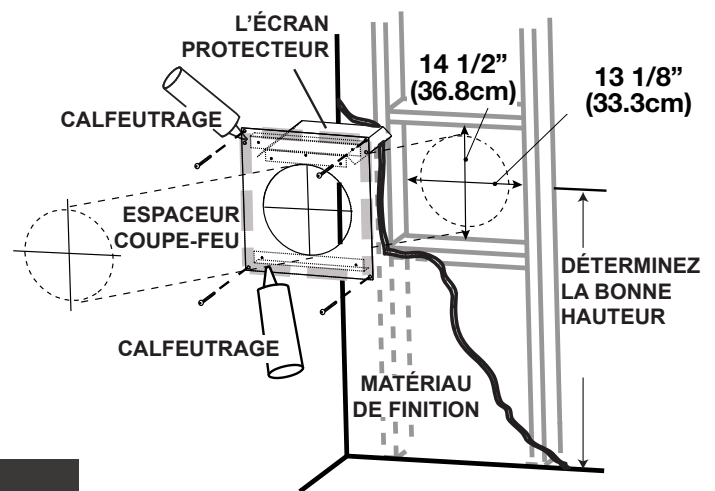
- L'espaceur coupe-feu doit être installé avec l'écran protecteur orienté vers le haut.
- La terminaison ne doit pas être enchâssée dans le mur ou le revêtement extérieur plus que l'épaisseur de la bride de la plaque de montage.

Cette configuration s'applique lorsque le conduit d'évent traverse un mur extérieur. Une fois que vous aurez déterminé la hauteur exacte pour l'emplacement de la terminaison, découpez et charpentez une ouverture dans le mur extérieur, comme illustré, pour permettre l'installation de l'espaceur coupe-feu. Avant de continuer, placez l'espaceur coupe-feu dans l'ouverture pour vous assurer que les supports sur la surface arrière soient placés contre la face intérieure de la pièce charoentre horizontale.

L'écran protecteur peut être taillé pour des murs combustibles qui ont moins de 8 1/2" (215,9mm) de profond, mais doit se prolonger sur toute la profondeur du mur combustible.

note:

Ne remplir pas l'espace d'air entre l'espaceur coupe-feu et le mur extérieur avec n'importe quel type de matériaux isolant (e.x., mousse de pulvérisation).



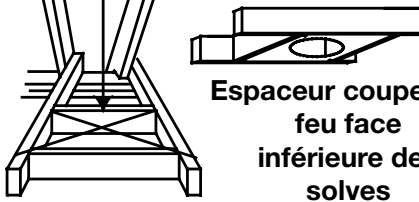
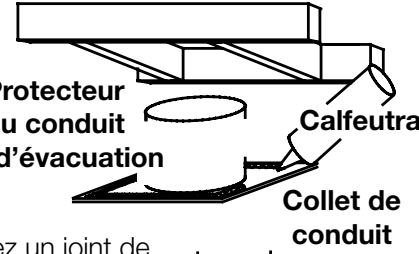

note:

Ce qui précède est uniquement à des fins d'illustration. Les événements ne passent pas toujours par le centre du cadre.

- A. Appliquez un joint de calfeutrage (non fourni) tout autour de la bordure de la face intérieure de l'espaceur coupe-feu, installez l'espaceur coupe-feu contre le trou et fixez à l'aide des quatre vis.
- B. Une fois que le conduit d'évent est en place, appliquez du scellant à haute température rouge RTV (W573-0002) (non fourni) entre le conduit d'évent et l'espaceur coupe-feu.

5.3 installation verticale

Cette configuration s'applique lorsque l'évacuation se fait à travers un toit. Des ensembles d'installation pour les différentes pentes de toit sont disponibles chez votre détaillant autorisé. Voir la section « accessoires » dans le manuel du propriétaire pour commander l'ensemble spécifique dont vous avez besoin.

- Une fois que vous aurez déterminé l'emplacement de la terminaison, découpez et charpentez une ouverture dans le plafond et le toit pour laisser le dégagement minimal de 1" (25,4mm) entre le conduit d'évent et tout matériau combustible. Essayez de positionner le conduit d'évent à mi-chemin entre deux solives pour ne pas être obligé de les couper. Utilisez du fil à plomb pour aligner le centre des ouvertures. Un protecteur de conduit d'évacuation empêchera tout matériau, tel que l'isolant, de remplir l'espace vide de 1" (25,4mm) autour de l'évent. Fixez des entretoises entre les solives pour assurer un support additionnel.
 
- Appliquez un joint de calfeutrage (non fourni) sur la charpente ou sur le protecteur de conduit d'évacuation Wolf Steel ou l'équivalent (dans le cas d'un plafond fini) et fixez le protecteur de conduit d'évacuation de façon à recouvrir l'ouverture dans le plafond. Un espaceur coupe-feu doit être fixé à la base de chaque ouverture charpentée dans un toit ou un plafond par lequel traverse le système d'évacuation. Appliquez un joint de calfeutrage tout autour et placez un espaceur coupe-feu par-dessus le protecteur de conduit d'évacuation pour empêcher l'arrivée d'air froid dans la pièce ou autour de l'appareil. Assurez-vous que l'espaceur coupe-feu et le protecteur de conduit d'évacuation conservent le dégagement nécessaire aux matériaux combustibles. Une fois que le conduit d'évacuation est en place, appliquez une scellant silicone rouge (W573-0002) (non fourni) entre le conduit d'évacuation et l'espaceur coupe-feu.
 
- Dans le grenier, faites glisser le collet de conduit d'évacuation vers le bas afin de recouvrir l'extrémité ouverte du protecteur de conduit d'évacuation et serrez. Ceci empêchera tout matériau, tel que l'isolant, de remplir l'espace vide de 1 po (25,4mm) autour de l'évent.
 

note:

Lorsque la ventilation passe verticalement à travers un plafond, vous pouvez utiliser des coupe-feu Wolf Steel ou les coupe-feu du fabricant de ventilation pour une ventilation rigide, à condition qu'ils respectent les dégagements requis indiqués dans le manuel d'installation de l'appareil. Pour les évacuations flexibles Wolf Steel, vous **DEVEZ** utiliser les coupe-feu Wolf Steel répertoriés ci-dessous.

Pour les appareils 4"/7":

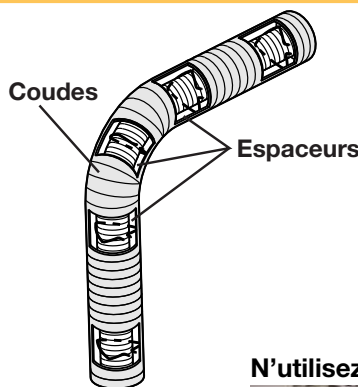
Lors d'utiliser l'évacuation flexible, utiliser l'ensemble de l'espaceur coupe-feu W500-0292 (non fourni).
Lors d'utiliser l'évacuation rigide, utiliser l'ensemble de l'espaceur coupe-feu 4DFS (non fourni).

Pour les appareils 5"/8":

Lors d'utiliser l'évacuation flexible, utiliser l'ensemble de l'espaceur coupe-feu W500-0028 (non fourni).
Lors d'utiliser l'évacuation rigide, utiliser l'ensemble de l'espaceur coupe-feu 5DFS (non fourni).

! AVERTISSEMENT

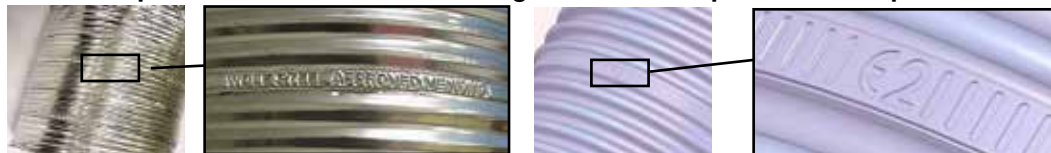
- Ne laissez pas la gaine flexible se tasser contre les courses horizontales ou verticales et les coudes. Gardez-la tendue.
- Des espaceurs sont fixés à la gaine flexible à intervalles prédéterminés afin de garder un espace vide avec le conduit extérieur. Pour que le fonctionnement soit sécuritaire, un espace vide est requis. Un espaceur est requis au début, au milieu et à la fin de chaque coude afin de maintenir cet espace vide. N'enlevez pas ces espaceurs.



Afin d'assurer une opération sécuritaire et adéquate de l'appareil, vous devez observer les instructions d'évacuation à la lettre.

Le système d'évacuation doit être soutenu à peu près tous les 3 pieds (0,9m) de courses verticales et horizontales. Utilisez l'ensemble de support mural Wolf Steel ou des supports incombustibles équivalents afin de conserver le dégagement minimal aux matériaux combustibles pour les courses verticales et horizontales. Tous les joints des conduits intérieurs et extérieurs peuvent être scellés avec du scellant de silicone rouge à haute température W573-0002 (non fourni) ou du scellant noir à haute température Mill Pac W573-0007 (non fourni) à l'exception du raccordement du conduit d'évacuation à la buse de l'appareil qui doit être scellé avec le scellant Mill Pac.

N'utilisez que les ensembles certifiés de gaines flexibles portant l'inscription:



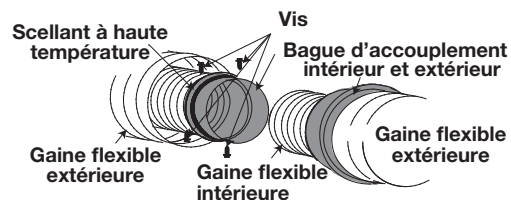
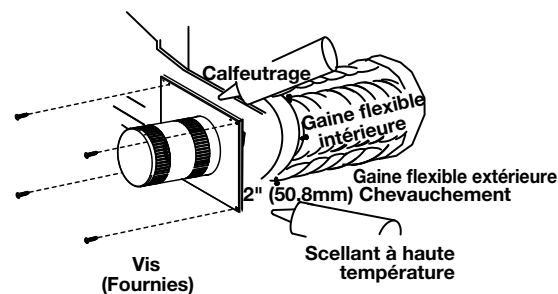
« Wolf Steel Approved Venting » « E2 » comme identifié par les gaines flexibles.

5.4.1 installation de la terminaison horizontale

- Étirez la gaine flexible intérieure à la longueur requise en tenant compte de la longueur additionnelle nécessaire pour la surface du mur fini. Appliquez un généreux joint de scellant à haute température Mill Pac (W573-0007) (non fourni). Glissez la gaine flexible sur le manchon intérieur de la terminaison en assurant un chevauchement minimal de 2" (50,8mm) et fixez à l'aide d'une minimum de trois vis.
- Installez la gaine flexible extérieure en la glissant sur le manchon extérieur de la terminaison et fixez à l'aide d'une minimum de trois vis. Scellez avec du scellant à haute température RTV rouge (W573-0002) (non fourni).
- Insérez les gaines dans le coupe-feu tout en conservant le dégagement nécessaire aux matériaux combustibles. En soutenant la terminaison (les inscriptions étant à l'endroit et lisibles), fixez-la au mur extérieur et rendez-la étanche en la scellant avec du calfeutrage (non fourni).
- Si plus de sections de gaine doivent être utilisées pour atteindre l'appareil, raccordez-les ensemble tel qu'illustré. Le système d'évacuation doit être soutenu à environ tous les 3 pieds (0,9m) pour les courses verticales et horizontales. Utilisez des supports incombustibles afin de maintenir le dégagement minimal aux matériaux combustibles.

Type 2 (x4) 

Type 1 (x6) 



Les terminaisons ne doivent pas être enchâssées dans un mur ou un revêtement extérieur plus que l'épaisseur de la bride de la plaque de montage.

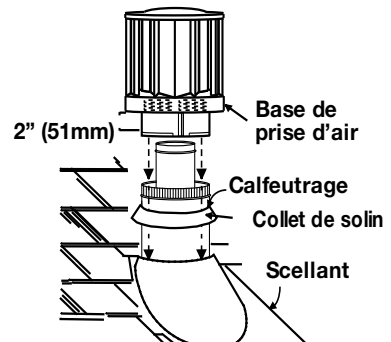
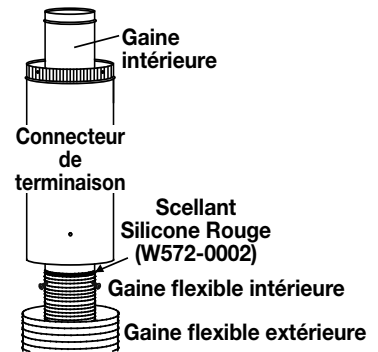
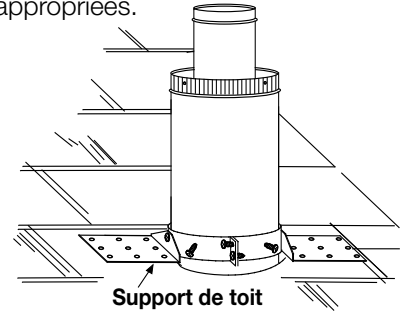
5.4.2 installation de la terminaison verticale

⚠ AVERTISSEMENT

- Conservez un espace minimale de 2 po (51mm) entre la base de la prise d'air et le collet de solin.

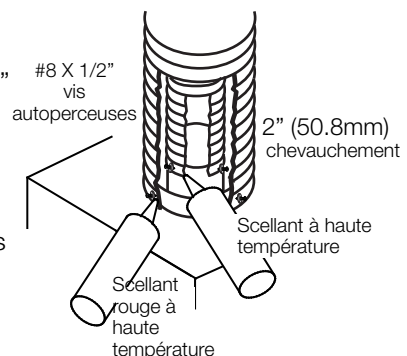
Matériel de fixation fourni avec les ensembles de terminal pour toit et raccord appropriées.

- Fixez le support de toit au toit à l'aide de 6 vis. Le support de toit est optionnel. Dans ce cas, l'évent doit être supporté adéquatement soit en utilisant une méthode alternative se conformant aux normes des autorités compétentes, soit en utilisant le support de toit optionnel.
- Étirez la gaine flexible intérieure à la longueur requise. Glissez la gaine flexible intérieure sur le conduit intérieur du connecteur de terminaison en assurant un chevauchement minimal de 2 po (51mm). Fixez à l'aide d'au moins trois vis, lorsque vous utilisant une évent de 4/7, 5/8 et 3/5 ou une minimum de six vis lorsque vous utilisant une évent de 8/10 ou 8/11. Scellez en appliquant un généreux joint de scellant silicone rouge (W573-0002) (non fourni).
- Répétez avec la gaine flexible extérieure, en appliquant la silicone à haute température rouge (W573-0002) (non fourni) et en utilisant au moins trois vis, lorsque vous utilisant une évent de 4/7, 5/8 et 3/5 ou une minimum de six vis lorsque vous utilisant une évent de 8/10 ou 8/11.
- Faites passer le montage du connecteur de terminaison/gaines flexibles à travers le toit. La terminaison doit être verticale et d'aplomb. Fixez le connecteur de terminaison au support de toit en vous assurant que le dessus de la terminaison excède le côté le plus élevé du toit d'au moins 16" (40,6cm) une fois fixée.
- Enlevez les clous des bardeaux sur le dessus et les côtés du connecteur de terminaison. Placez le solin par-dessus le connecteur de terminaison en laissant un minimum de 3/4" (19,1mm) de connecteur de terminaison visible au-dessus du haut du solin. Glissez le solin sous les côtés et le bord supérieur des bardeaux. Assurez-vous que le connecteur de terminaison est bien centré dans le solin, en laissant une marge de 3/4" (19,1mm) tout autour. Fixez-le au toit. Ne clouez pas à travers la partie inférieure du solin. Imperméabilisez-le en le scellant avec du calfeutrage. Si possible, recouvrez les côtés et le bord supérieur du solin avec des matériaux de couverture.
- Alignez les joints de la terminaison et du connecteur de terminaison et placez la terminaison par-dessus le connecteur de terminaison en vous assurant que le manchon pénètre dans le trou de la terminaison. Fixer avec au moins de trois vis, lorsque vous utilisant une évent de 4/7, 5/8 et 3/5 ou une minimum de six vis lorsque vous utilisant une évent de 8/10 ou 8/11.
- Appliquez un généreux joint de calfeutrage à l'épreuve de l'eau à 2" (51mm) au-dessus du solin. Installez le collet de solin autour de la terminaison et glissez-le jusqu'à la ligne de calfeutrage. Serrez afin d'assurer l'étanchéité entre la terminaison et le collet.
- Si plus de sections de gaine doivent être utilisées pour atteindre l'appareil, voir la section « **installation de la terminaison horizontale** ».



5.4.3 raccordement des événements à l'appareil

- Raccordez la gaine flexible intérieure à l'appareil. Fixez-la à l'aide d'au moins trois vis et rondelles lorsque vous utilisant une évent de 3"5", 4"7" ou 5"8" ou une minimum de six vis et rondelles lorsque vous utilisant une évent de 8"10" ou 8"11". Scellez le joint et les têtes de vis avec du scellant à haute température W573-0007 (non fourni).
- Fixez-la à l'aide d'au moins trois vis et rondelles lorsque vous utilisant une évent de 3"5", 4"7" ou 5"8" ou une minimum de six vis et rondelles lorsque vous utilisant une évent de 8"10" ou 8"11". Fixez et scellez les joints avec du scellant à haute température W573-0002 (non fourni).



installation d'évacuation

FR

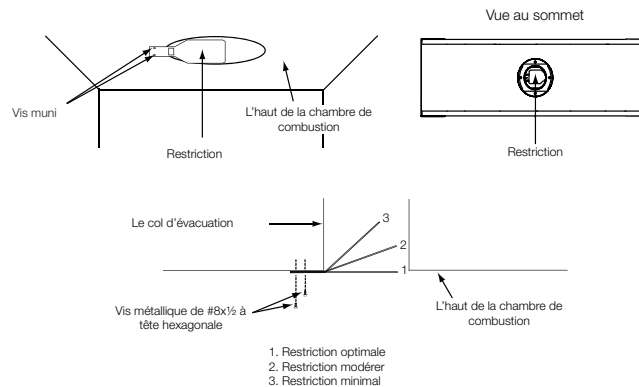
5.5 renstreignants d'évents verticaux

Certaines configurations d'évacuation verticales peuvent avoir une flamme très active. Si cette apparence n'est pas désirée, la sortie du conduit d'évacuation peut être réduite en utilisant une plaque de restriction approuvée par Wolf Steel. Cet ensemble n'est pas recommandé pour les courses verticales courtes.

Selon l'année et le modèle de votre appareil, il se peut que celui-ci ne soit pas muni de trous de fixation.

5.5.1 TLV50 / TLV50_2

- A. Si l'appareil est muni de trous de fixation, retirez les vis du haut de la chambre de combustion, alignez la plaque de restriction comme illustré, puis fixer.
- B. Si l'appareil n'est pas muni de trous de fixation, alignez la plaque de restriction comme illustré, puis fixez-la à l'aide des deux vis (fournis).
- C. Assurez-vous que la plaque puisse pivoter vers le haut dans la sortie de l'évacuation au niveau de la fente.
- D. Selon la degré de restriction recherché, la plaque de restriction peut demeurer à plat pour une restriction optimale, ou être pliée vers la haut à des degrés de restriction différents.



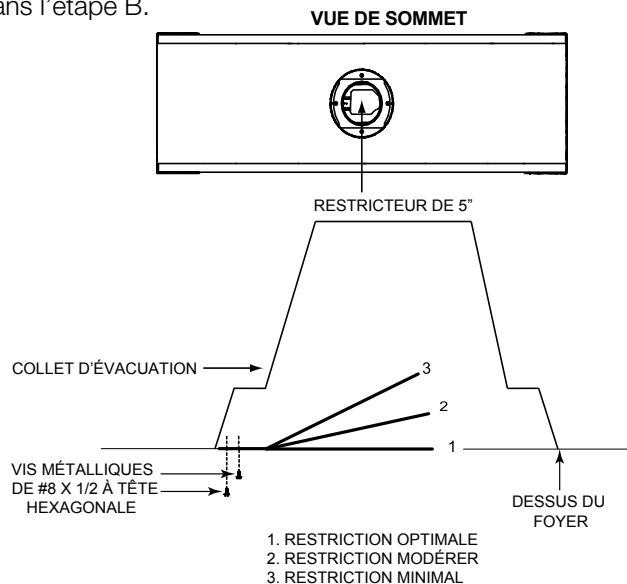
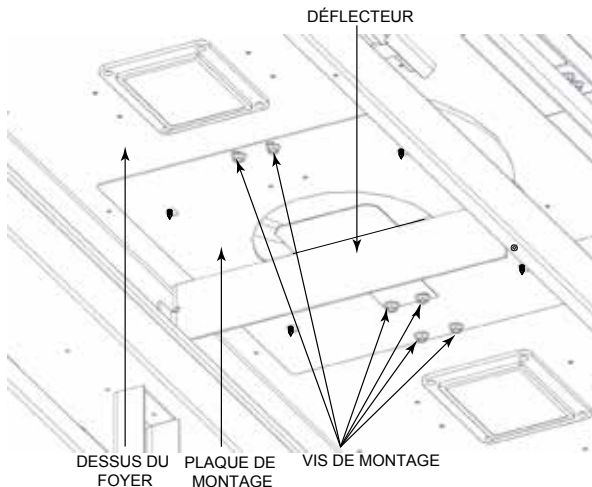
5.5.2 TLV62 / TLV62_2 / TLV74 / TLV74_2

- A. Fixez restricteur de 5" à la plaque de montage à l'aide de les 2 vis (fournies).
- B. Enlevez le déflecteur en retirant 1 vis du foyer. Mettez le vis et le déflecteur du côté.
- C. Alignez les trous de dégagements de la plaque de montage (4) au-dessus des vis saillant dedans le chambre de combustion. Pour faciliter l'accès, assurez-vous que le restricteur et la plaque de montage sont installées avec les vis installées à l'Étape A orientées vers le haut (vers le collet d'évacuation).
- D. Installez 4 vis autoperceuses (fournies) (2 par côté).

note:

Pour faciliter l'installation, la plaque de montage est conçu avec 2 trous fixés et 2 trous slottés.

- E. Réinstallez le déflecteur utilisant un vis enlever dans l'étape B.



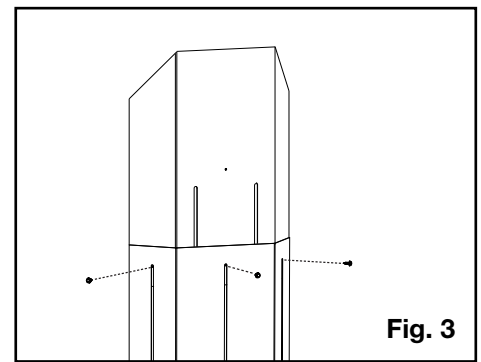
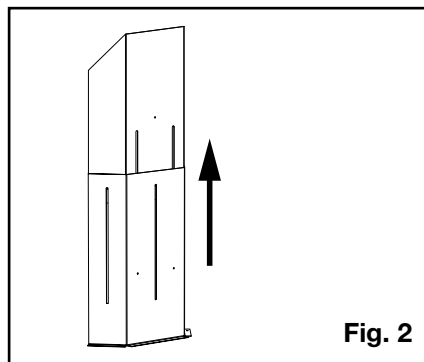
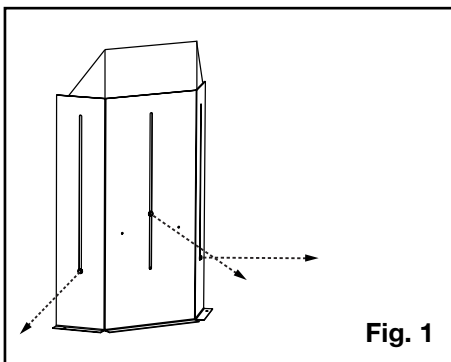
5.6 installation de bouclier d'évent

IMPORTANT: Pour faciliter l'installation, le cadre supérieur avant peut être enlever. Le cadre supérieur avant doit être réinstaller avant d'installer les pattes de cloutages.

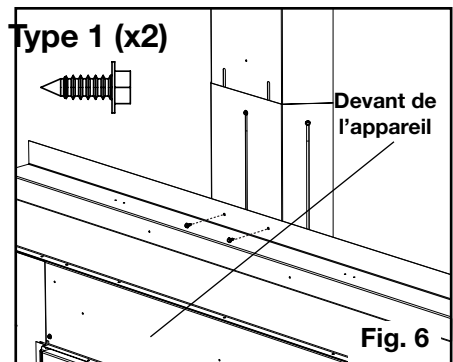
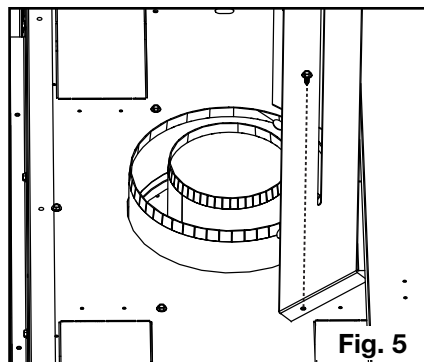
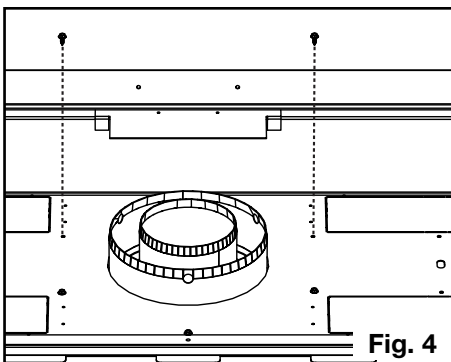
note:

L'écran d'aération est télescopique et doit être ajusté pour protéger les premiers 22" - 30" d'aération verticale toujours utilisés.

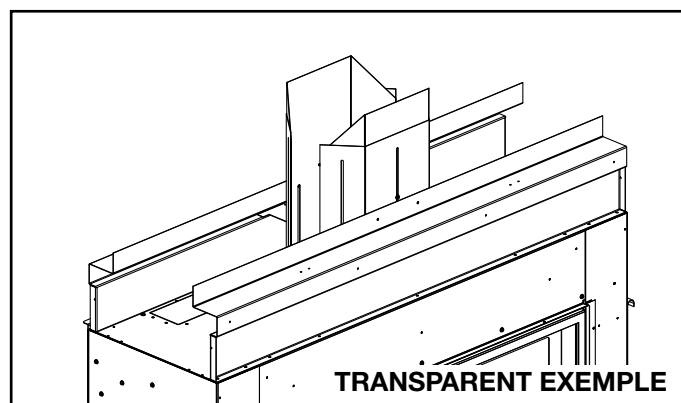
1. Dévissez les attaches sur l'ensemble de protection de ventilation. **NE PAS DISCARDER LES FIXATEURS (Figure 1).**
2. Ajustez le bouclier d'évent à sa verticale maximale **(Figure 2).**
3. Utilisez les attaches à l'étape 1 pour maintenir la nouvelle hauteur de bouclage d'évent **(Figure 3).**



4. Dévissez les attaches comme indiqué sur la **(Figure 4).** **NE PAS DÉBRANCHER LES FIXATIONS.**
5. Utilisez les attaches à l'étape 4 pour fixer le bouclier d'évent sur l'appareil **(Figure 5).**
6. Fixez le bouclier d'aération à l'aide de deux fixations (fournies) au bouclier du linteau **(Figure 6).**



POUR LES APPAREILS TRANSPARENTS, RÉPÉTEZ LES ÉTAPES AVEC LE CÔTÉ OPPOSÉ (2 bouches d'aération requises).



6.0 information électriques

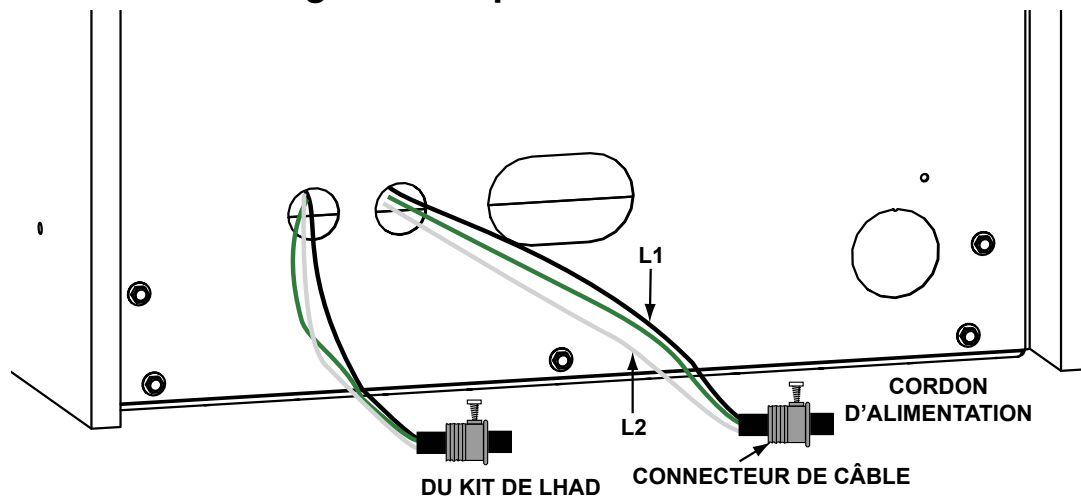
FR

6.1 branchement par câble

Vous devez effectuer un branchement par câble avec cet appareil.

Une charpente permanente servant à encastrer l'appareil nécessite un branchement par câble de la boîte de dérivation de l'appareil. Cet appareil doit être raccordé électriquement et mis à la terre conformément aux codes locaux. En l'absence de codes locaux, utilisez la version vourante du Code Canadien d'Électricité CSA C22.1 au Canada ou l'ANSI/NFPA 70-1996 National Electrical Code aux l'États-Unis.

6.2 schéma de câblage du réceptacle



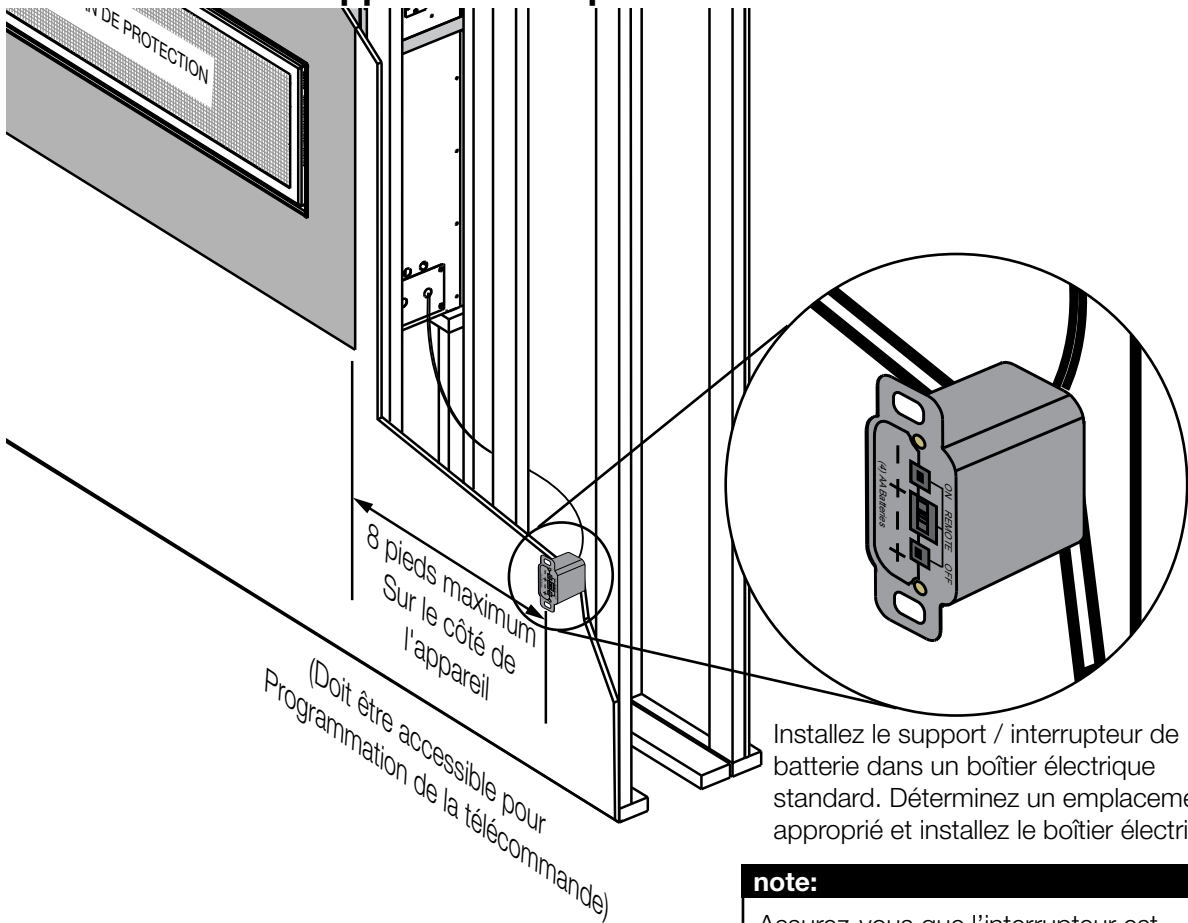
Approchez l'alimentation électrique et le kit LHAD en option à travers le foyer extérieur sur la prise montée au bas de l'appareil. Pour l'installation du kit LHAD en option, reportez-vous à la notice fournie dans le kit.

6.3 en cas de panne de courant

Si le support / interrupteur de batterie est équipé de piles, il active la fonction ON / OFF pour contrôler le foyer pendant une panne de courant. Reportez-vous à la section « opération » dans le manuel du propriétaire lorsque les communications entre le support / interrupteur de batterie et l'émetteur ont été perdues. Le support / interrupteur de batterie émet un son "bip" pour confirmer que la programmation a réussi une fois que l'alimentation a été restaurée. Lors d'une panne de courant, si le foyer était allumé, la hauteur de la flamme restera au réglage avant la panne. Si désactivé lorsque la défaillance se produit et ensuite allumée, la hauteur de la flamme s'allume à "HI". La hauteur de la flamme peut alors être contrôlée par la télécommande.

Dans la plupart des cas, votre appareil fonctionnera avec les fonctionnes élémentaires disponible jusqu'au fin du panne de courant est fini. Toutes autres fonctionnes et accessoires électroniques ne fonctionnera pas dans un panne de courant.

6.4 installation du support / interrupteur de batterie



Installez le support / interrupteur de batterie dans un boîtier électrique standard. Déterminez un emplacement approprié et installez le boîtier électrique.

note:

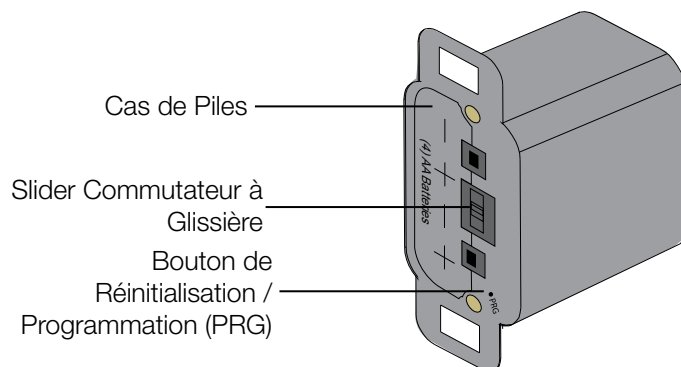
Assurez-vous que l'interrupteur est en position « REMOTE » (milieu).

6.5 première initialisation de la télécommande / bloc-piles

note:

La procédure d'initialisation doit être complétée en moins de 10 secondes après que le bouton réinitialisation/ programmation (PRG) ait été appuyé.

- A. Installez les 4 piles « AA » dans le bloc-piles du Proflame 2, notez la polarité des piles puis insérez-les comme indiqué sur le couvercle (+/-).
- B. Assurez-vous que le commutateur à glissière est placé à la position « REMOTE » (position centrale).
- C. Appuyez sur le bouton réinitialisation/programmation, utilisez un objet de petite taille comme un trombone afin d'atteindre le bouton identifié PRG tel qu'illustré ci-dessous.
- D. Le bloc-piles émettra trois bips pour indiquer qu'il est prêt à être synchronisé avec la télécommande.
- E. Installez 3 piles « AAA » dans la télécommande comme illustré ci-dessous, puis appuyez sur le touche « ON ». Le bloc-piles émettra 4 bips pour indiquer que le signal de télécommande est accepté.



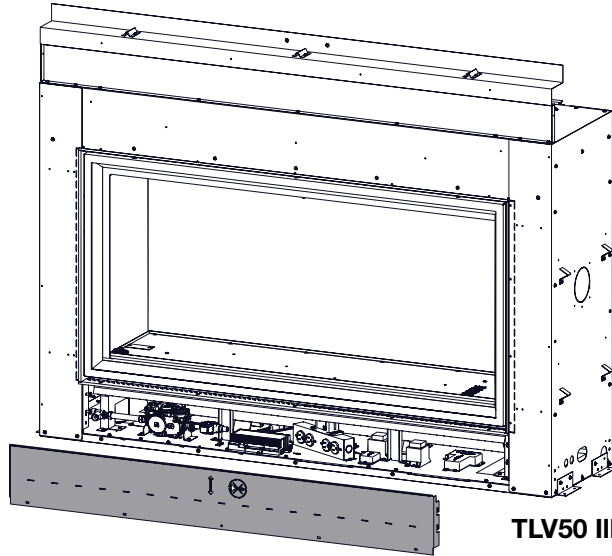
information électriques

FR

6.6 accès aux contrôles

! AVERTISSEMENT

- N'utilisez pas cet appareil si une partie quelconque a été submergée. Contactez immédiatement un technicien de service qualifié pour inspecter l'appareil pour des dommages au circuit électrique.
- Risque de chocs électriques ou d'explosion. Ne branchez pas le 110 V à la soupape ou à l'interrupteur mural de l'appareil. Un branchement électrique incorrecte endommagera les contrôles.
- Cet appareil doit être raccordé électriquement par un électricien qualifié conformément aux codes locaux. En l'absence de codes locaux, utilisez la version courante du Code Canadien de l'Électricité CSA22.1 ou le National Electrical Code ANSI/NFPA NO. 70 aux États-Unis.
- Allumez toujours la veilleuse, que ce soit pour la première fois ou lorsque l'approvisionnement en gaz est épuisé, avec la porte vitrée ouverte ou retirée.



TLV50 Illustré

Avant de terminer dans l'appareil, testez l'opération à l'aide de la télécommande, faites-le passer à travers tous ses différents modes, voir la section "operation" dans le manuel du propriétaire. Une fois terminé, l'accès aux composants de commande ne peut être effectué que par l'intérieur de l'appareil.

6.7 câblage

! AVERTISSEMENT

- Ne raccordez pas l'interrupteur mural ou la soupape de gaz à l'alimentation électrique (110V).

note:

Pour votre protection contre les risques de chocs électriques, cet appareil est muni d'une fiche à trois broches et devrait être branché directement dans une prise de courant à trois fentes mise à la terre. Ne couper pas ou retirer la broche de mise à la terre de cette fiche.

6.8 application contrôleur eFIRE

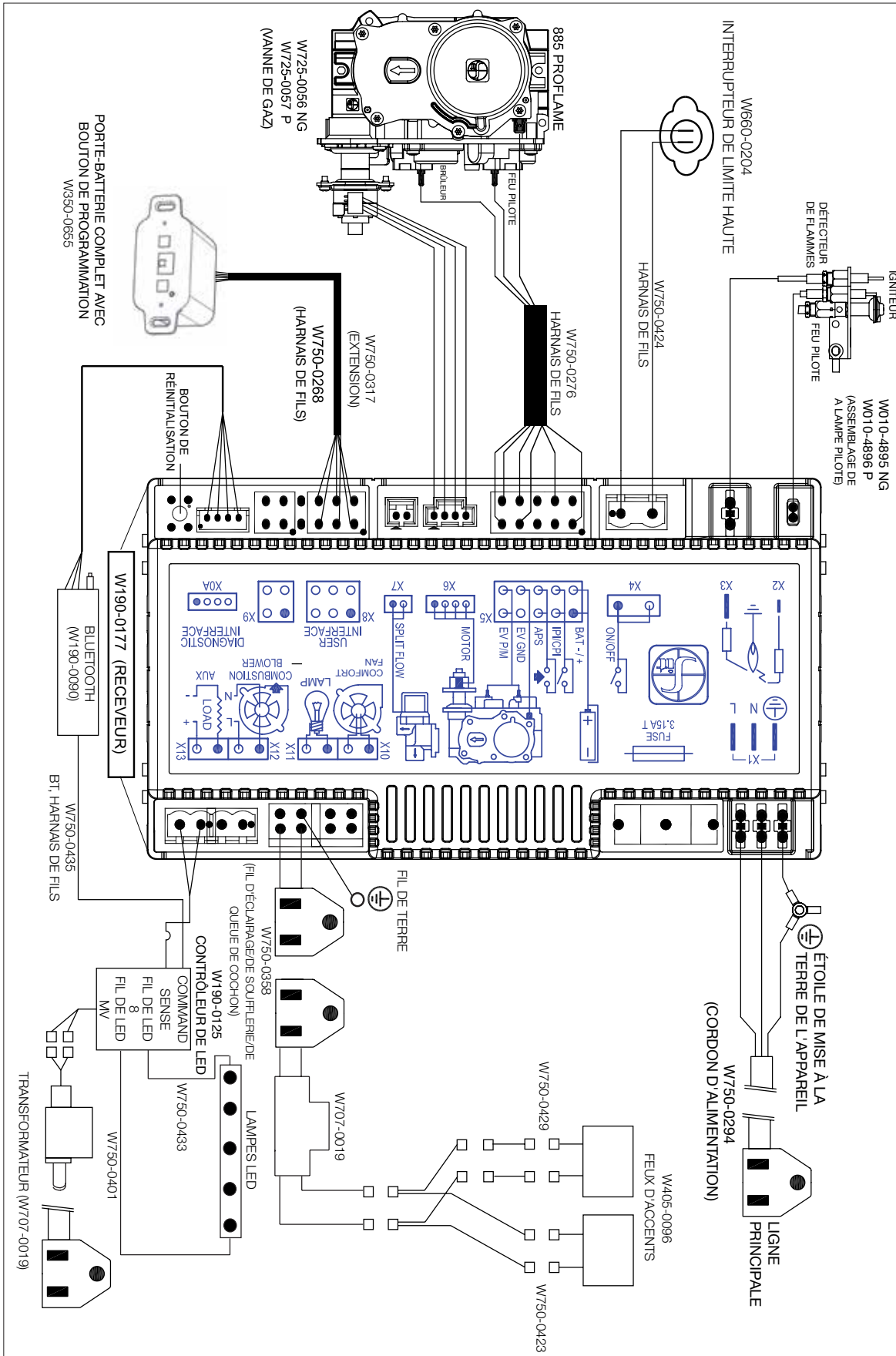
Lorsqu'il est entièrement équipé, l'application eFIRE vous permet de créer toutes les couleurs imaginables, en sélectionnant la façon qui correspond à votre humeur actuelle, ou votre décor avec facilité, l'outil de roue à couleur simple se déplace rapidement dans le spectre de couleurs complet. L'application eFIRE de Napoléon contrôle toutes les fonctions de votre foyer, y compris; Marche / arrêt, hauteur de flamme et une minuterie pour créer une programme qui marche pour vous.

En utilisant les instructions sur le site Web de l'application de contrôleur eFIRE <http://napoleon.com/efire>, installez l'application et profitez des fonctionnalités proposées par l'application eFIRE Controller.

note:

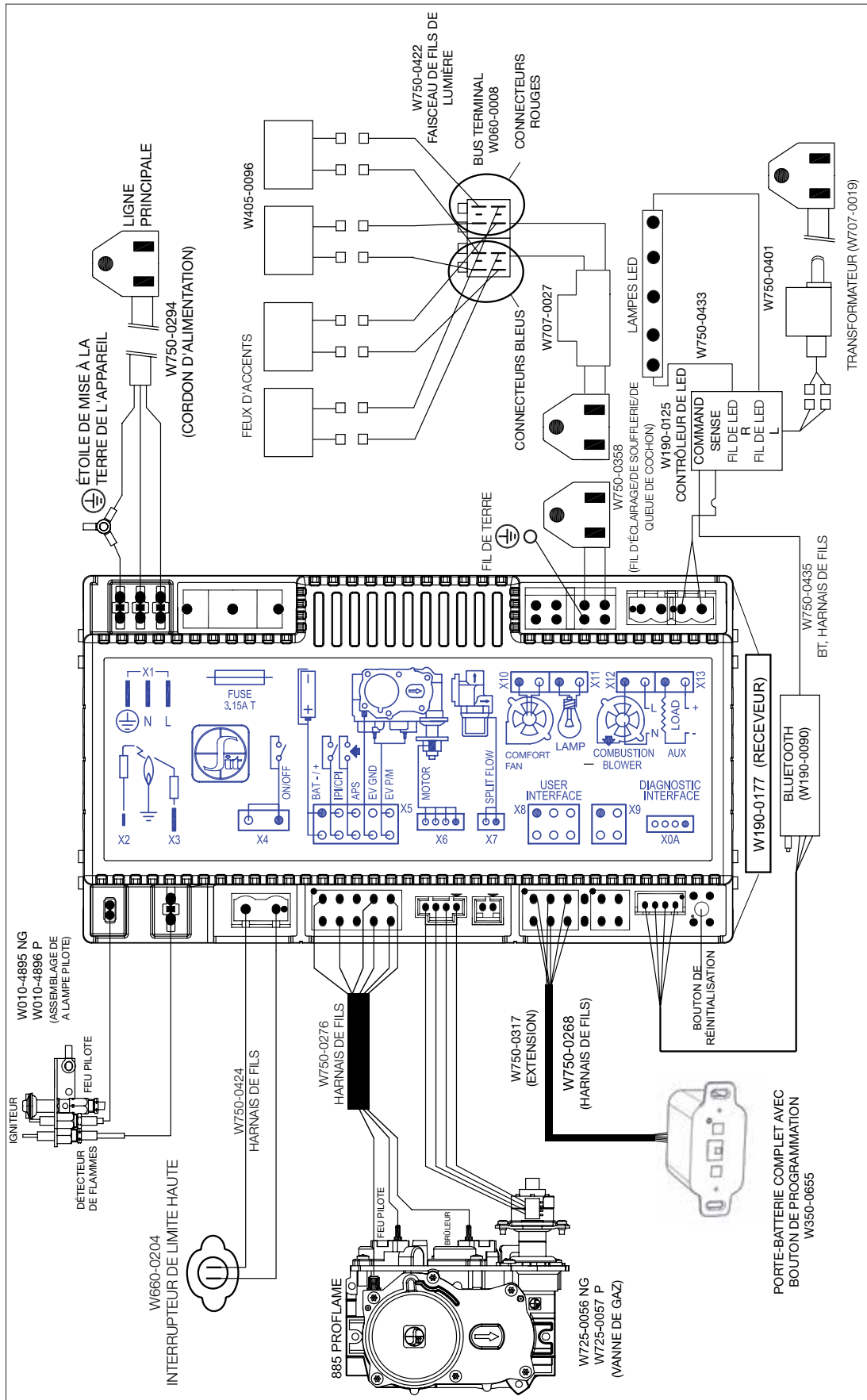
La télécommande est considéré le contrôle pour toutes fonctionnes de l'appareil et peut toujours être utiliser pour éteindre l'appareil (c'est-à-dire, dans l'évnt que l'utilisateur qui utilise l'application eFIRE app qui controlait l'appareil a sortie la maison).

6.8.1 TLV50 / TLV50_2 schéma de câblage



information électriques

FR 6.8.2 TLV62 / TLV62_2 / TLV74 / TLV74_2 schéma de câblage

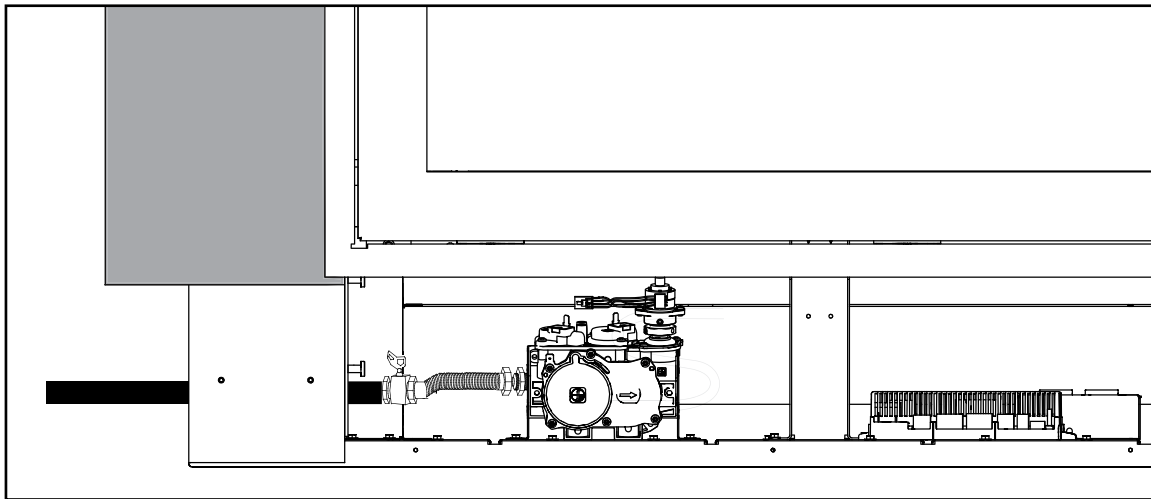


! AVERTISSEMENT

- Risque d'incendie, d'explosion, ou d'asphyxie. Assurez-vous qu'il n'y ait aucune source d'allumage comme des étincelles ou une flamme nue.
- Soutenez le contrôle du gaz lorsque vous attachez le tuyau pour éviter de plier la conduite de gaz.
- Allumez toujours la veilleuse, que ce soit pour la première fois ou lorsque l'approvisionnement en gaz est épuisé, avec la porte vitrée ouverte ou retirée. La purge doit être effectuée par un technicien qualifié. Assurez-vous que l'arrivée de gaz au brûleur est continue avant de fermer la porte. Assurez-vous d'une ventilation adéquate pour les emplacements de l'entrée du gaz et de l'entrée électrique, voir la section « dimensions ».
- Lorsque le branchement est terminé, tous les raccords de gaz doivent se trouver à l'intérieur de l'appareil (**foyer de gaz seulement**).
- Les pressions élevées endommageront la soupape. L'alimentation en gaz doit être débranchée pendant les essais de pression de ce système lorsque les pressions d'essai excèdent 1/2 LB/PO² (3,5 KPA).
- Les réglages de la soupape ont été faits en usine; ne les modifiez pas.

L'installation et l'entretien doivent être effectuées par un installateur qualifié.

- Mettez l'appareil en place et fixez-le.
- Si l'appareil est muni d'un raccord flexible, celui-ci est conçu pour recevoir une conduite de gaz de 1/2" (13mm). Sans raccord flexible, l'appareil est conçu pour recevoir une conduite de gaz de 3/8" (9,5mm). L'appareil est muni d'une soupape d'arrêt manuelle pour fermer l'alimentation en gaz.
- Branchez le gaz en conformité avec les codes locaux. En l'absence de codes locaux, l'installation doit être conforme au Code d'installation du gaz CAN/CSA-B149.1 dans sa version pour le Canada ou le National Fuel Gas Code, ANSI Z223.1 / NFPA 54 pour les États-Unis.
- Lorsque vous manipulez des conduites de gaz, soutenez la soupape de gaz pour éviter que les conduites ne se plient.
- Le raccord flexible de l'alimentation en gaz devrait être suffisamment mobile pour permettre de placer l'assemblage de brûleur sur le côté pour aider avec l'entretien des composants.
- Vérifiez pour des fuites de gaz en appliquant une solution d'eau savonneuse. **N'utilisez jamais une flamme nue.**



note:

Branchez l'alimentation en gaz à la soupape d'arrêt de 1/2" (13mm) et au raccord flexible (fourni). Assurez-vous que le conduit d'alimentation en gaz est bien fixé.

Après avoir installé le câblage électrique et les conduites de gaz, assurez-vous de tester l'appareil avant de finir l'encadrement et la finition de l'appareil.

Avant de terminer le test de l'appareil, utilisez la télécommande, en le faisant circuler dans tous ses modes, voir la section "opération" dans le mode d'emploi. Si le dépannage est nécessaire, l'accès aux commandes peut être effectué via le panneau d'accès de pré-finition.

8.0 opération

FR

! AVERTISSEMENT

- Si ces instructions ne sont pas suivies à la lettre, un incendie ou une explosion pourraient s'ensuivre, causant des dommages matériels, des blessures corporelles ou des pertes de vie.
- Si applicable, allumez toujours la veilleuse, que ce soit pour la première fois ou lorsque l'approvisionnement en gaz est épuisé, avec la porte vitrée ouverte ou retirée.

Assurez-vous que l'arrivée de gaz au brûleur est continue avant d'installer la porte. Lorsqu'il est allumé pour la première fois, l'appareil dégagera une légère odeur pendant quelques heures. Cela est une condition normale temporaire causée par le conditionnement des bûches et l'évaporation des peintures et lubrifiants internes utilisés dans le processus de fabrication; elle ne se reproduira plus. Après de longues périodes sans utiliser l'appareil, comme à la suite de vacances ou à la fin de l'été, il se peut qu'une légère odeur se dégage pendant quelques heures. Ceci est causé par des particules de poussière brûlant dans l'échangeur de chaleur. Dans les deux cas, ouvrez une fenêtre pour aérer la pièce.

POUR VOTRE SÉCURITÉ, LISTEZ CE QUI SUIT AVANT D'ALLUMER L'APPAREIL:

- Ne pas allumer si des enfants ou d'autres individus à risque sont à proximité de la veilleuse.
- Cet appareil est équipé d'un dispositif d'allumage qui allume automatiquement la veilleuse. N'essayez pas de l'allumer manuellement.
- Avant d'allumer, sentez autour de l'appareil et près du plancher afin de vous assurer qu'il n'y a pas de fuite de gaz. Certains gaz sont plus lourds que l'air et se déposeront au niveau du plancher.
- N'utilisez pas cet appareil si une partie quelconque a été submergée. Contactez immédiatement un technicien qualifié pour l'inspecter et pour remplacer toute pièce du système de contrôle et du contrôle du gaz qui aurait été submergée.

QUE FAIRE SI VOUS DÉTECTEZ UNE ODEUR DE GAZ

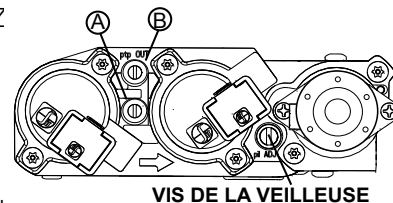
- Coupez l'alimentation en gaz à l'appareil.
- Ouvrez les fenêtres.
- N'allumez aucun appareil.
- Ne touchez à aucun interrupteur électrique; n'utilisez aucun téléphone dans votre immeuble.
- De la maison d'un voisin, appelez immédiatement votre fournisseur de gaz et suivez ses instructions.
- Si vous ne pouvez pas rejoindre votre fournisseur de gaz, appelez le service des incendies.

INSTRUCTIONS D'ALLUMAGE

note:

Cet appareil est équipé d'un dispositif d'allumage qui s'allume automatiquement la veilleuse. N'essayez pas de l'allumer manuellement.

- Arrêtez! Lisez les consignes de sécurité ci-dessus.
- Enlevez tous les piles de la télécommande et régler le thermostat au réglage minimum, si équipé.
- Coupez l'alimentation électrique à l'appareil.
- Ouvrir la porte de l'appareil, si équipé.
- Tournez le bouton de contrôle du gaz vers la droite à « OFF ». (Elle est situé sur le connecteur flexible).
- Attendez cinq (5) minutes pour que le gaz puisse s'échapper. Si vous détectez une odeur de gaz, incluant au niveau du plancher, **ARRÊTEZ!** et suivez les instructions ci-dessus « QUE FAIRE SI VOUS DÉTECTEZ UNE ODEUR DE GAZ ». Continuez à l'étape suivante si vous ne sentez pas de gaz.
- Tournez le soupape fermeture manuelle vers la gauche à « ON ».
- Rétablissez l'alimentation électrique à l'appareil et installez les piles dans le télécommande, si équipé. Régler le thermostat à la position désirée, si équipé.
- Tournez l'interrupteur murale de l'appareil à la position « ON ».
- Si l'appareil ne fonctionne pas, suivre les instructions de « couper l'alimentation d... gaz » et puis appelez votre technicien de service ou fournisseur de gaz.



COUPEZ L'ALIMENTATION DE GAZ

- Régler le thermostat à la réglage le plus bas, si équipé.
- Tournez l'interrupteur murale de l'appareil à la position « OFF ».
- Coupez l'alimentation électrique à l'appareil si un travail d'entretien doit être faites.
- Tournez le soupape fermeture manuelle vers la gauche « OFF ». Ne forcez pas.

8.1 veilleuse sur demande

Cet appareil est équipé d'un système de veilleuse à allumage intermittent (IPI) « Sur demande » qui comprend également un mode de veilleuse permanente (CPI) avec une minuterie intégrée de sept jours. Ce système minimise l'empreinte carbone de votre appareil et réduit sa consommation annuelle de combustible ainsi que son coût de fonctionnement.

En mode intermittent (IPI), la veilleuse s'allume avant le brûleur principal, lorsque l'appareil est allumé à l'aide d'un interrupteur, d'une télécommande ou d'un appel de chaleur par le thermostat (s'il y a lieu). Une fois l'appareil éteint (ou l'appel de chaleur satisfait), le brûleur principal et la veilleuse s'éteignent.

Le mode continu (CPI) est destiné à améliorer les performances de l'appareil pendant la phase d'allumage dans des climats plus froids et par temps extrême en maintenant le système au chaud lorsque le brûleur principal n'est pas allumé. Cependant, la fonction de minuterie permet d'éteindre automatiquement la veilleuse lorsque l'appareil n'est pas utilisé pendant sept jours afin de réduire la consommation de combustible.

Lorsque le mode continu (CPI) est activé, la veilleuse reste allumée après que le brûleur principal soit éteint. Une minuterie commencera alors le décompte pendant environ sept jours avant d'éteindre la veilleuse si l'appareil n'est pas utilisé. Ce décompte se réinitialisera chaque fois que le brûleur principal de l'appareil sera allumé. Par conséquent, si l'appareil est utilisé régulièrement sur une base journalière, la veilleuse restera allumée. Ce système ne requiert donc pas que l'utilisateur se souvienne d'éteindre la veilleuse à l'approche de l'été, évitant de consommer inutilement du combustible tout en demeurant prêt à être rallumé lorsque le temps froid est de retour.

Votre appareil peut être équipé d'un interrupteur anticondensation ACS ou d'une télécommande (Fig. 1) qui vous permet de sélectionner les modes IPI ou CPI.



(Fig. 1)

Si votre appareil est équipé d'un interrupteur ACS, il offre la possibilité de changer de mode:

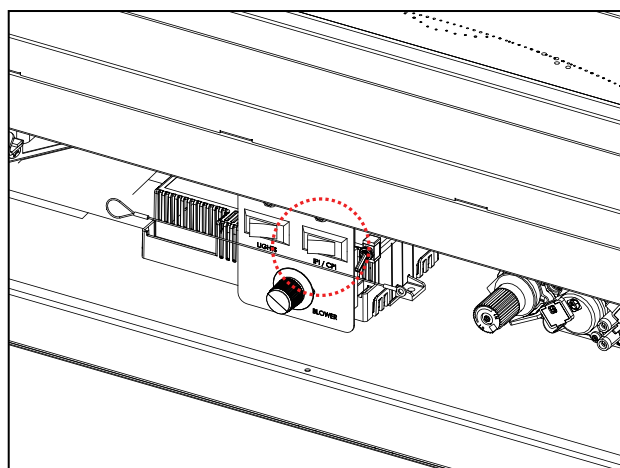
Fig. 2: Basculer l'interrupteur sur « ON » allumera la veilleuse permanente avec la minuterie et basculer l'interrupteur sur « OFF » activera le mode d'allumage intermittent de la veilleuse.

Fig. 3: Si l'interrupteur est installé avec le fil bleu orienté vers le haut, basculer l'interrupteur vers le HAUT activera la veilleuse permanente avec la minuterie tandis que basculer l'interrupteur vers le BAS activera le mode d'allumage intermittent de la veilleuse. Si l'interrupteur est installé avec le fil blanc orienté vers le haut, c'est l'inverse qui se produit.

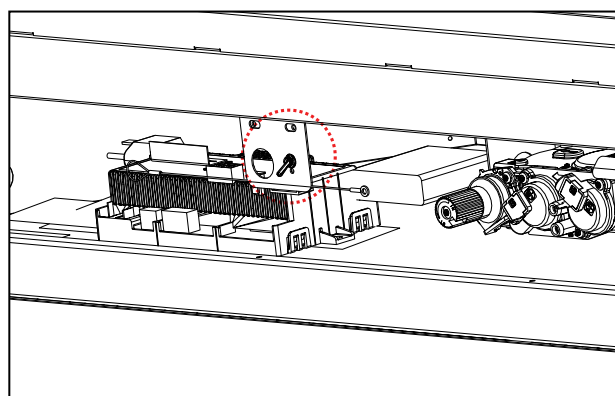
Si votre appareil est pourvu d'une télécommande qui vous permet de sélectionner les modes IPI ou CPI, reportez-vous aux instructions de fonctionnement de la télécommande.

Pour démarrer la veilleuse, en allumant le brûleur principal à l'aide de l'interrupteur, de la télécommande ou du thermostat, et ensuite en l'éteignant, réactivera le mode veilleuse permanente et réinitialisera la minuterie de sept jours.

Pour plus d'informations, consultez le site www.napoleon.com/pilotondemand.



(Fig. 2)

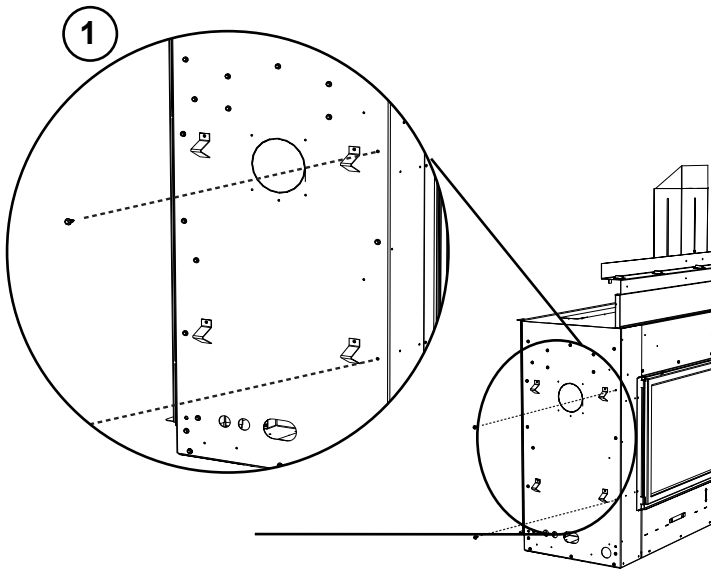


(Fig. 3)

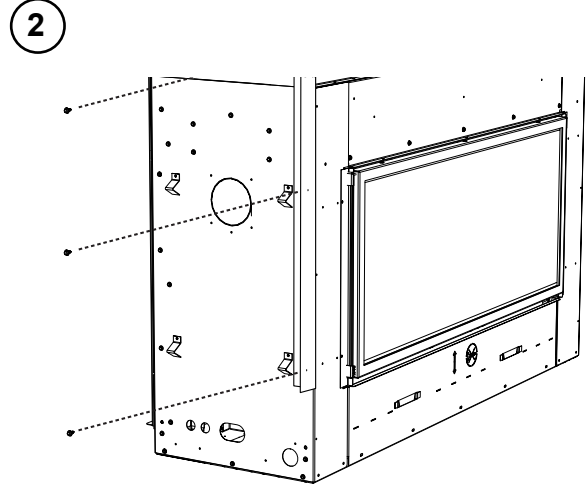
9.0 installation des pattes de cloutage

FR

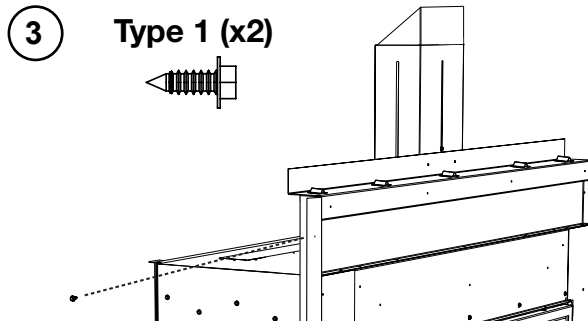
IMPORTANT: Si le bouclier a été enlevé, il doit être remis en place avant d'installer les pattes de cloutage.



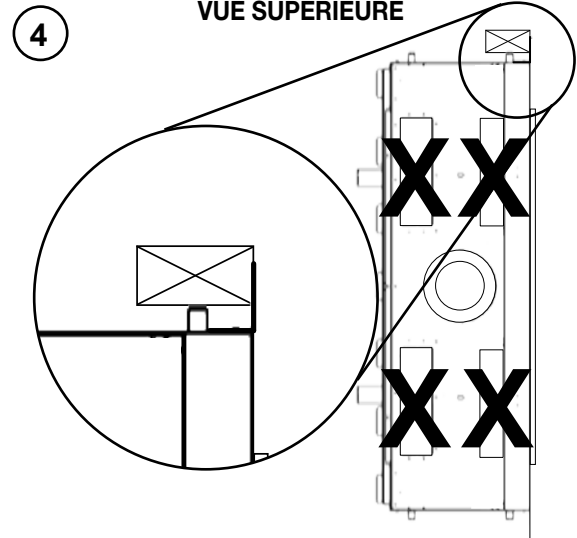
Retirer les deux vis de l'appareil.
Ne jetez pas.



Alignez les pattes de cloutage avec les trous de l'appareil, fixez avec les deux vis d'étape 1.



UTILISEZ LES VIS FOURNIES POUR FINIR DE FIXER LES PATTES DE CLOUAGE SUR LE CADRE AVANT.

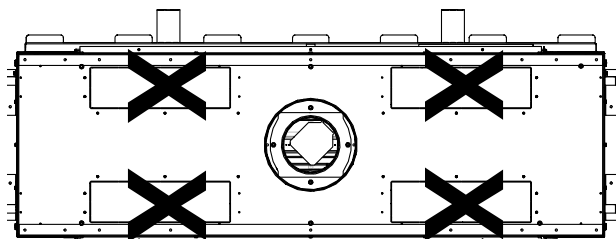


Pour installer les pattes de cloutage pour les appareils de voir à travers, répétez ces étapes sur l'autre côté.

note:

Voir les section « évacuation », « information électriques » et « branchement du gaz » avant d'encadrement fini.

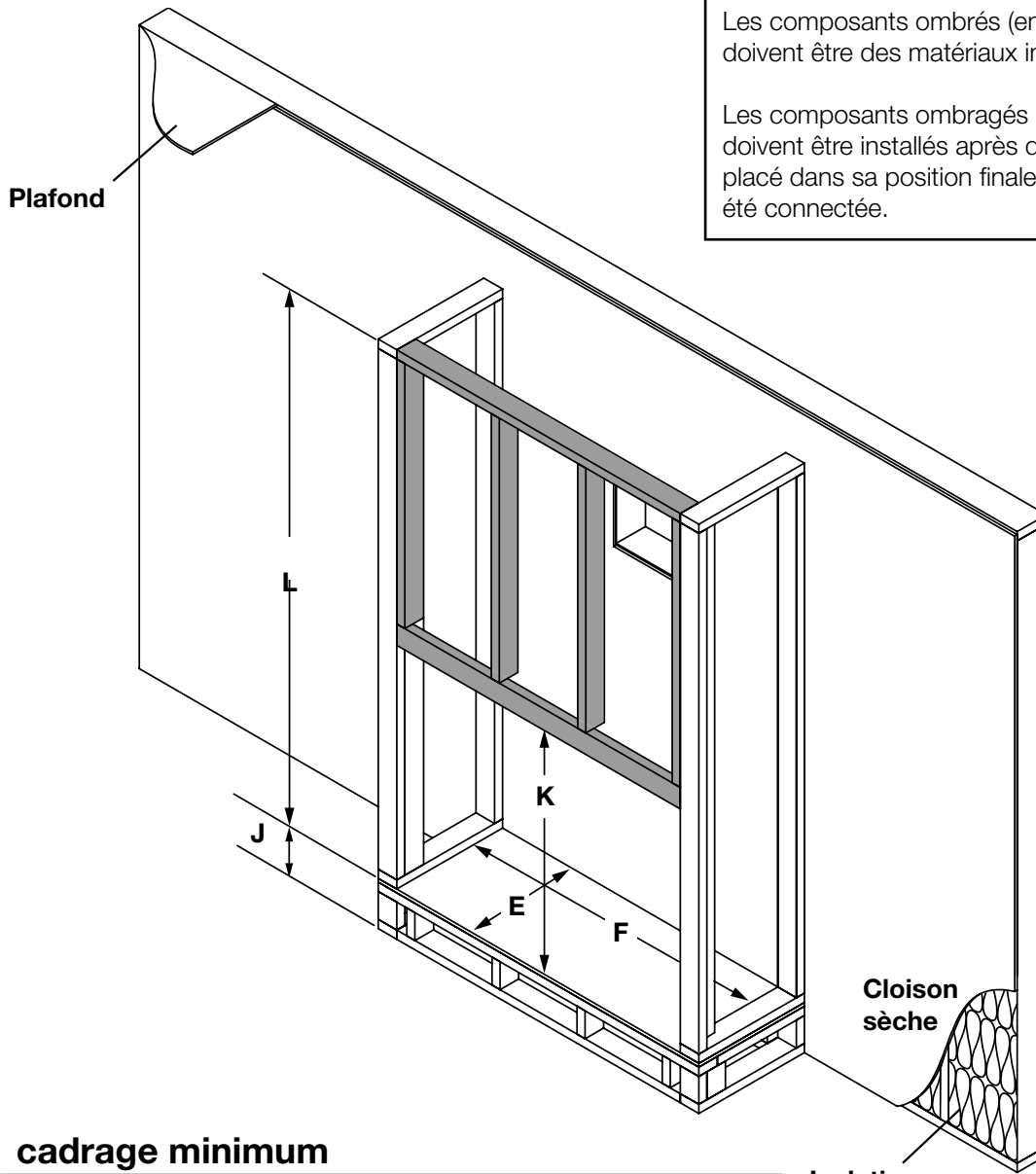
IMPORTANT: NE PAS retirer les knockouts à moins d'installer Dynamic Heat Control^{MD}/Ducted Heat Management^{MD} ou Dynamic Heat Management/Ducted Heat Management^{MD}. Si endommagé ou enlevé sans DHC^{MD}/DHM^{MD}, l'appareil surchauffe et causera un risque d'incendie.



10.0 encadrement fini - après l'installation de l'appareil

10.1 encadrement avec des matériaux incombustibles affleurant simple face

FR



note:

Les composants ombrés (encadrement de finition) doivent être des matériaux incombustibles.

Les composants ombragés (cadrage de finition) doivent être installés après que l'appareil a été placé dans sa position finale et que l'évacuation a été connectée.

cadrage minimum

Ref	TLV50	TLV62	TLV74
K	48 3/16" (1224mm)		
E	20 1/8" (511mm)		
F	65 13/16" (1672mm)	77 13/16" (1976mm)	89 13/16" (2281mm)
J	Optionnel - L'appareil ne doit pas être élevé au-dessus du plancher.		
L	73" (1854mm)	91" (2311mm)	

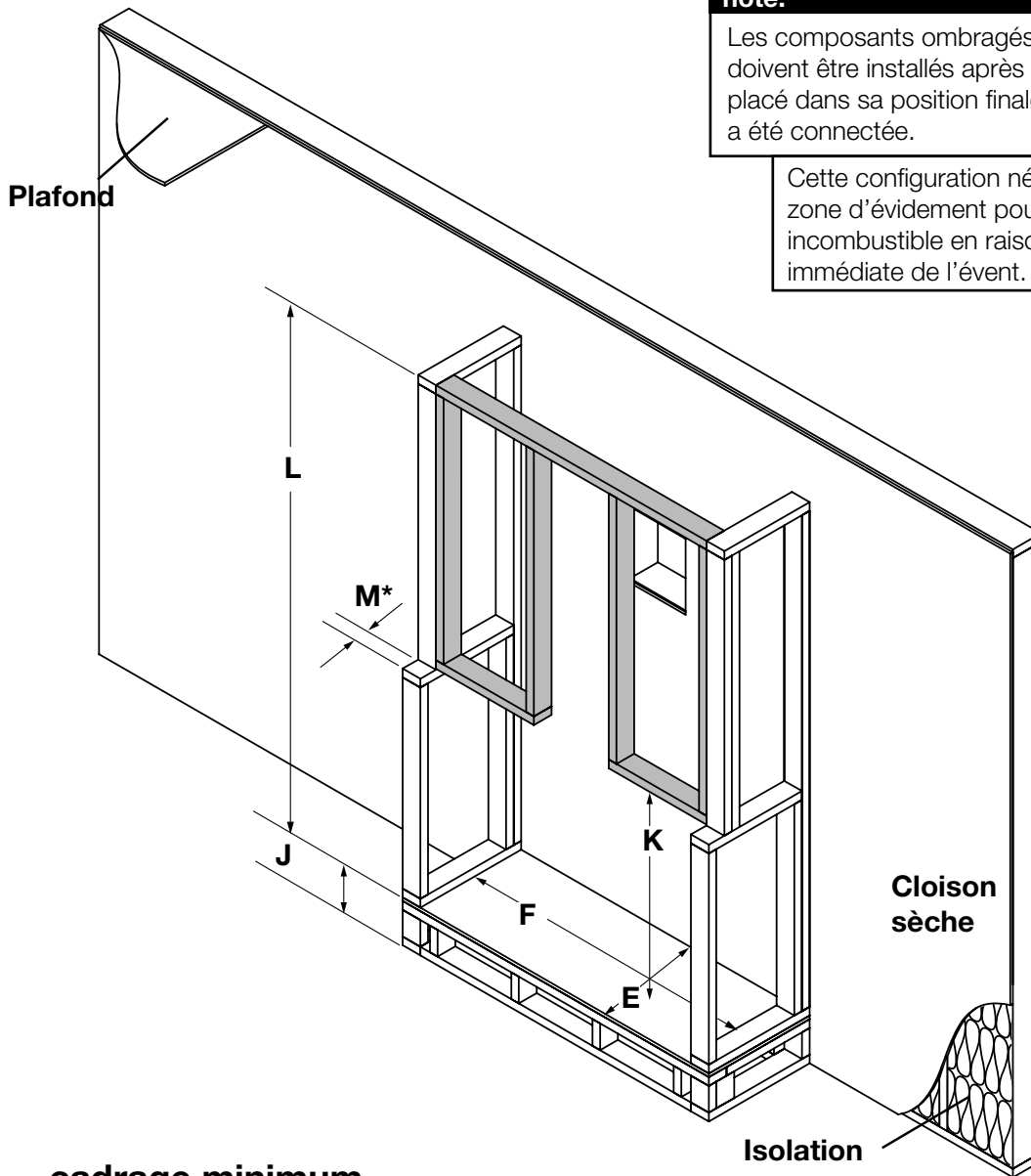
note:

La série TLV requiert un minimum hauteur d'enceinte/plafond, comme illustré (dimension L), mesuré du bas de l'appareil. Pour les exigences de températures, cet espace doit être dégagé. Certaines configurations qui requiert un enceinte plus large pour fournir les dégagements minimaux entre les conduits d'évacuation et les combustibles.

encadrement fini - après l'installation de l'appareil

FR

encastré



note:

Les composants ombragés (cadrage de finition) doivent être installés après que l'appareil a été placé dans sa position finale et que l'évacuation a été connectée.

Cette configuration nécessite également une zone d'évidement pour utiliser un revêtement incombustible en raison de la proximité immédiate de l'événement.

cadrage minimum

Ref	TLV50	TLV62	TLV74
K	48 3/16" (1224mm)		
E	20 1/8" (511mm)		
F	65 13/16" (1672mm)	77 13/16" (1976mm)	89 13/16" (2281mm)
J	Optionnel - L'appareil ne doit pas être élevé au-dessus du plancher.		
L	83" (2108mm)	91" (2311mm)	
M*	3" (76mm)		

* On ne peut augmenter que 4 "max en construisant une saillie.

note:

La série TLV requies un minimum hauteur d'enceinte/plafond, comme illustré (dimension L), mesuré du bas de l'appareil. Pour les exigences de températures, cet espace doit être dégager. Certains configurations qui requies un enceinte plus large pour fournir les dégagements minimaux entre les conduits d'évacuation et les combustibles.

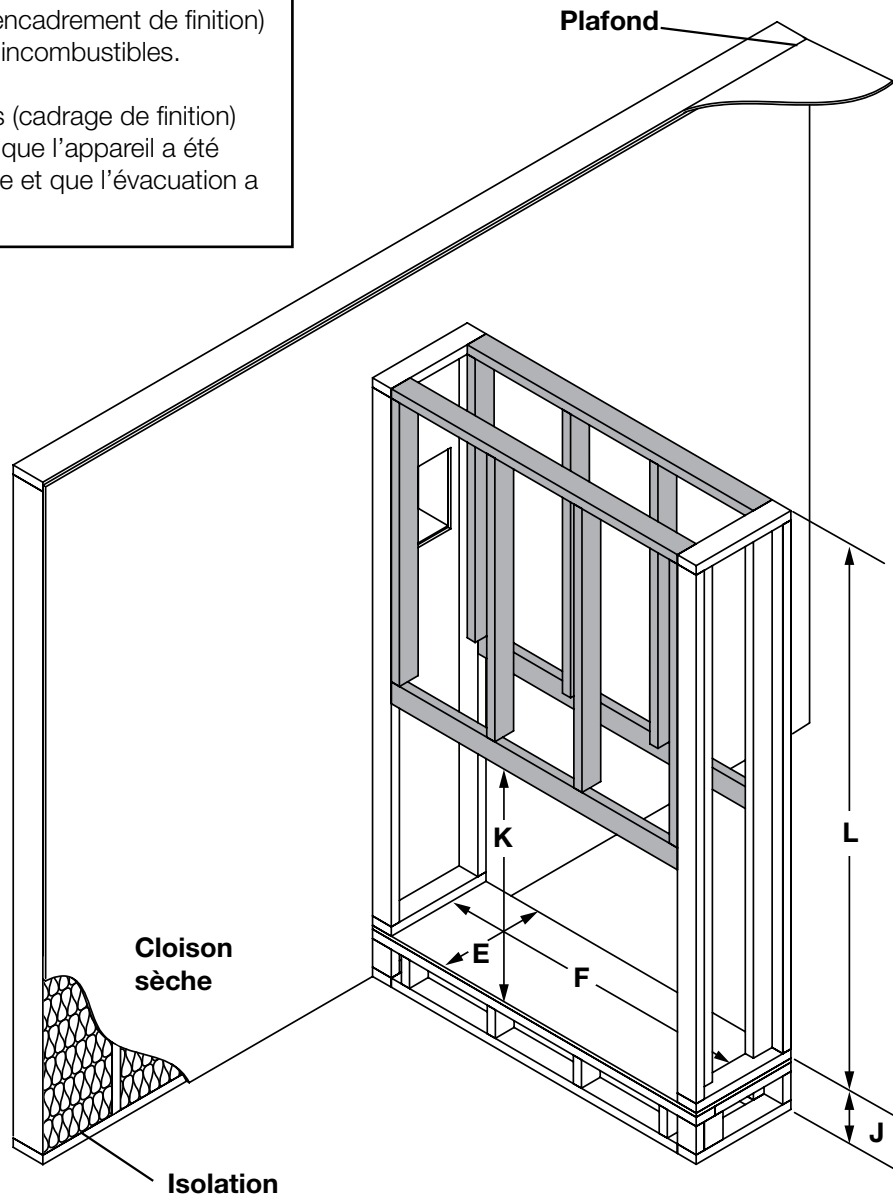
encadrement fini - après l'installation de l'appareil

affleurement transparent

note:

Les composants ombrés (encadrement de finition) doivent être des matériaux incombustibles.

Les composants ombragés (cadrage de finition) doivent être installés après que l'appareil a été placé dans sa position finale et que l'évacuation a été connectée.



cadrage minimum

Réf	TLV50_2	TLV62_2	TLV74_2
K	48 3/16" (1224mm)		
E	16 3/16" (411mm)		
F	65 13/16" (1672mm)	77 13/16" (1976mm)	89 13/16" (2281mm)
J	Optionnel - L'appareil ne doit pas être élevé au-dessus du plancher.		
L	73" (1854mm)	91" (2311mm)	

note:

La séries TLV requies un minimum hauteur d'enceinte/plafond, comme illustré (dimension L), mesuré du bas de l'appareil. Pour les exigences de températures, cet espace doit être dégager. Certains configurations qui requies un enceinte plus large pour fournir les dégagements minimaux entre les conduits d'évacuation et les combustibles.

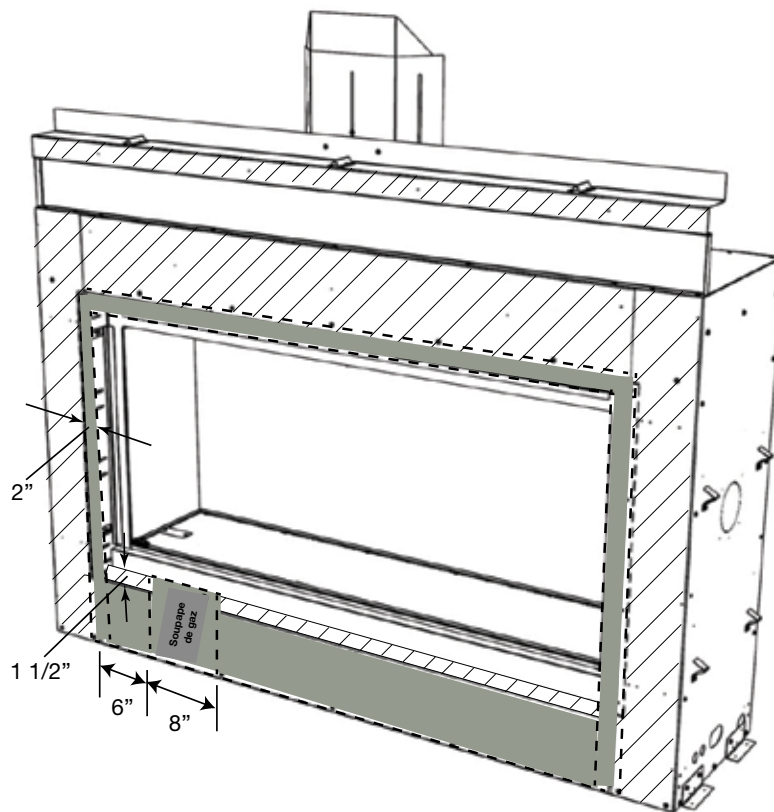
11.0 finitions

FR

⚠ AVERTISSEMENT

- Risque d'incendie!
- N'obstruez jamais l'ouverture sur le devant de l'appareil.
- Si la finition de la façade de l'appareil est fait, elle doit être faite de matériau incombustible comme de la brique, du marbre du granite, etc., sous réserve que ces matériaux ne dépassent pas le dimension spécifiée, comme illustré.
- Ne frappez, claquez et n'égratignez pas la porte vitrée. Ne faites pas fonctionner l'appareil lorsque la porte vitrée est enlevée, fissurée, brisée ou égratignée.
- Les matériaux de façade ou de finition ne doivent jamais empiéter sur l'ouverture de l'appareil.
- L'assemblage de la porte en verre est conçu pour pivoter vers l'avant pour soulager la surpression qui pourrait se produire. Les matériaux de finition ou d'autres matériaux ne doivent pas être situés dans l'ouverture qui entoure la porte, car cela entraverait la capacité des portes à soulager la pression.

11.1 restriction de placement des attaches



Pas d'att



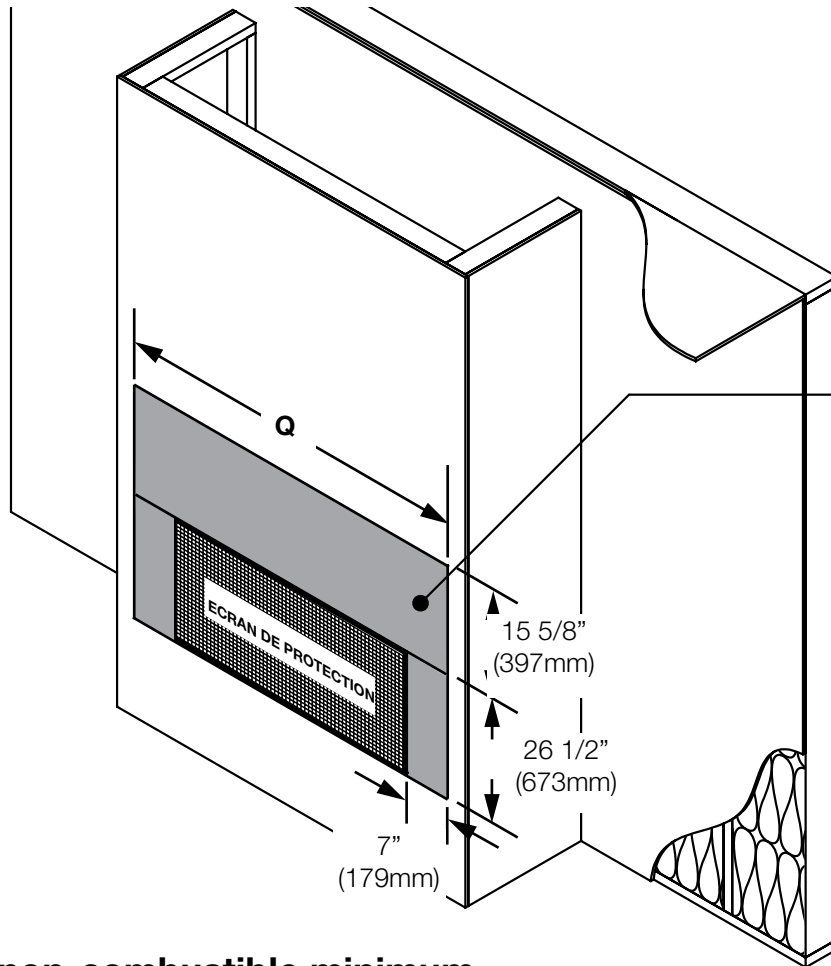
Pas d'attaches supérieures à 3/4 "pouces de pénétration

Lors de la sécurisation des non combustibles, nous vous suggérons d'utiliser un adhésif de construction à haute température à moins de 2 "(5,08 cm) ci-dessus et sur les côtés de l'ouverture de l'appareil et 8 po (20,3 cm) sous l'ouverture de l'appareil. **NE PAS VISER DANS LA ZONE RESTREINTE, CE QUI POURRAIT ENDOMMAGER LES COMPOSANTS INTERNES DE L'APPAREIL QUI PEUVENT CAUSER DES BLESSURES OU DE LA MORT.**

Cela s'applique aux appareils à un ou à l'autre côté et vis-à-vis.

Longueur maximale de la vis à utiliser en dehors de la zone de vis à restriction est 3/4" plus large et en fonction d'épaisseur de matériau de finition (c'est-à-dire, pas de vis qui pénètrent plus de 3/4").

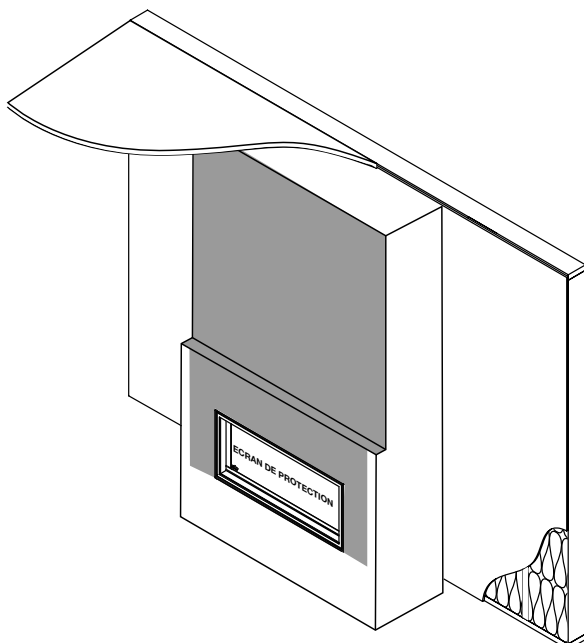
11.2 finition avec les matériaux incombustibles



La finition incombustible est requis.

non-combustible minimum

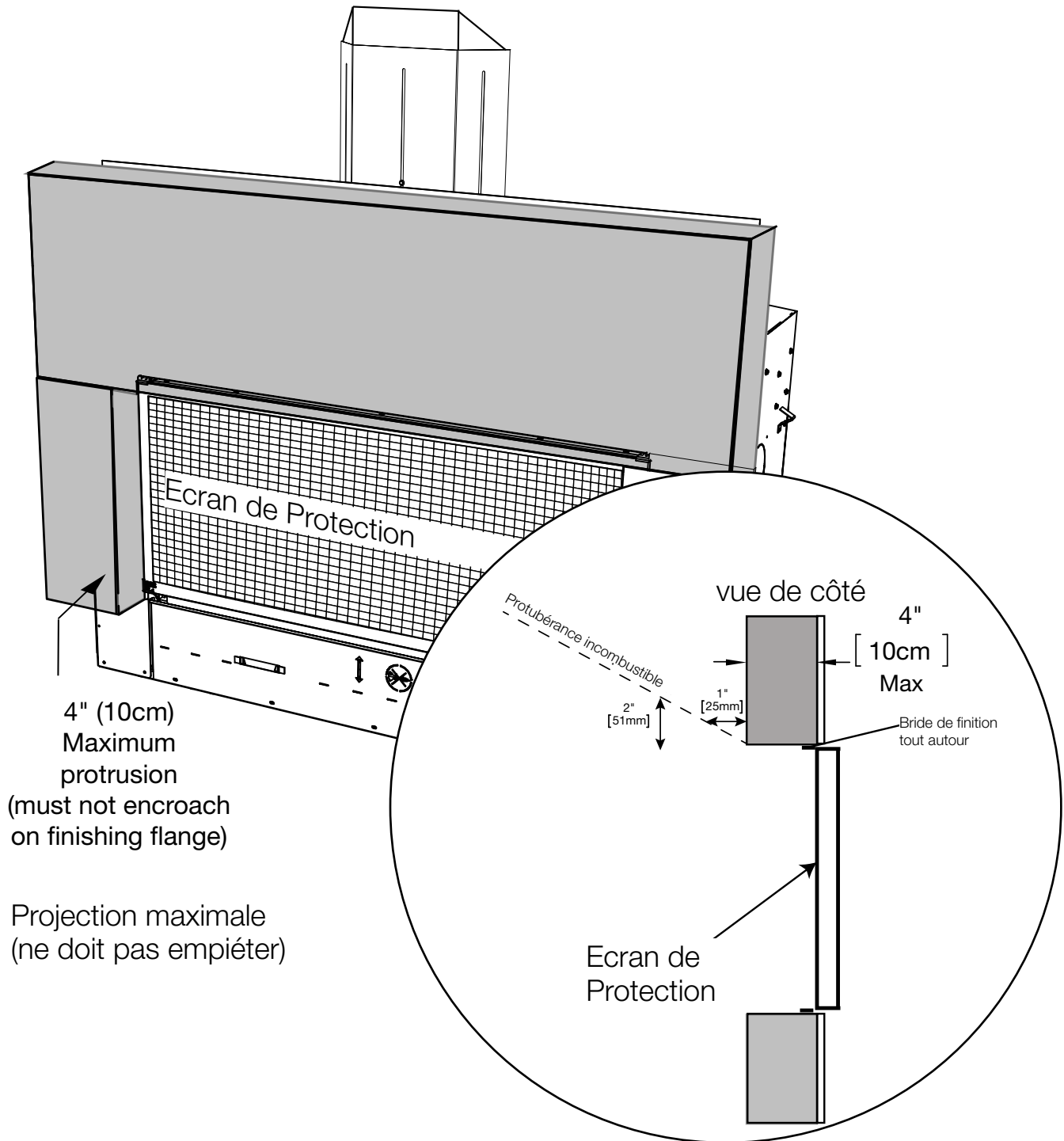
	TLV50 / TLV50_2	TLV62 / TLV62_2	TLV74 / TLV74_2
Q	66 9/16" (1691mm)	78 9/16" (1991mm)	90 9/16" (2300mm)



LA ZONE NON SOMMAIRE DOIT ÊTRE MATÉRI-AUX NON COMBUSTIBLES. L'installation en-castée nécessite un matériau d'évidement pour utiliser un revêtement incombustible en raison de la proximité immédiate de l'évent.

⚠ AVERTISSEMENT

- Le matériau de finition incombustible serré sur le châssis autour du cadre de la barrière de protection (PSB) ne doit pas dépasser plus de 4" (10cm) de la face de la barrière de sécurité (au-dessus de la porte et des côtés seulement). Si des projections plus importantes sont nécessaires, augmentez le dégagement sur les côtés et dépassez 2" (51mm) pour chaque projection de 1" (25mm).

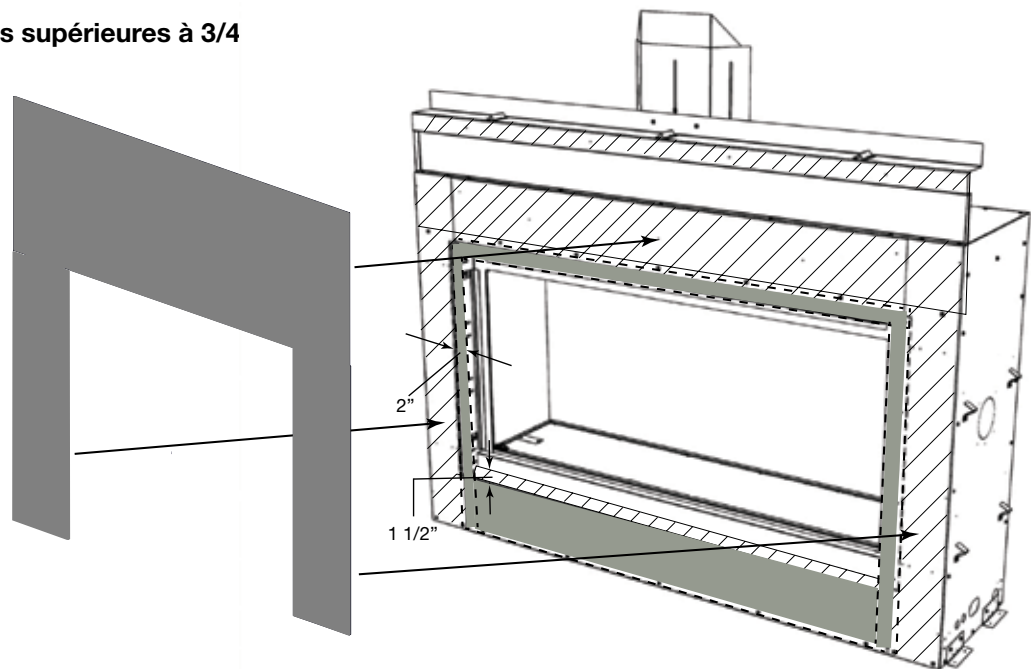


11.3 installation de matériau incombustible

! AVERTISSEMENT

- La surface au-dessus l'appareil devient très chaude. Si des matériaux de finition inadéquats sont utilisés, des craquelures peuvent apparaître.
- Voir la section «restriction de placement des attaches ». Des vis plus longues peuvent endommager la conduite de gaz et / ou les composants internes.

1. Alignez le panneau frontal non combustible contre l'appareil et fixez-le avec les vis de cloison sèche.
2. Alignez les panneaux latéraux non combustibles contre l'appareil et fixez-le avec les vis de cloison sèche.



note:

Les 15 5/8" (39.7cm) ci-dessus et les 7" (178mm) de chaque côté de l'ouverture de l'appareil ne doivent pas être finis avec des matières combustibles.

Composé à joints au besoin

Délibérations et nouveautés qui ont été traduites par Durabond 90 et des rubans à joints résistants à la chaleur et aux craquelures à tous les besoins.

Installation des carreaux et du coulis

Nous recommandons l'utilisation des carreaux aux articulations et de l'installateur à l'aide d'un mortier à deux composants avec un additif au latex acrylique tel que Mapei Kerabond / Kerlastic, pour permettre un léger mouvement lors du fonctionnement normal de l'appareil.

Si du coulis est utilisé entre les carreaux, un coulis à base de polymère tel que Mapei Ultracolor plus est recommandé.

Apprêt / Peinture

Pour une surface peinte, Utiliser un apprêt au latex 100% acrylique et une couche de finition. Les peintures des douleurs du voyant peuvent décolorer.

note:

Nous vous recommandons d'utiliser un adhésif à haute température et de serrer pour adhérer les cloisons sèches pour abaisser le panneau d'accès. Fixez avec des attaches ne dépassant pas 3/4 "si nécessaire. Une fois que l'adhésif a durci, retirez le bord tranchant de l'attache pour permettre l'accès.

! AVERTISSEMENT

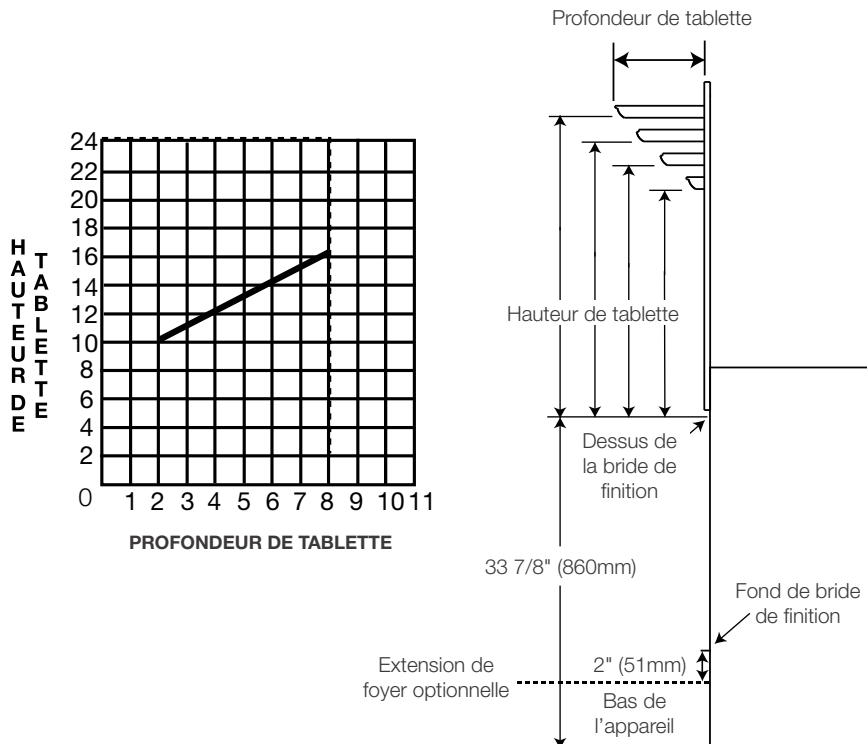
- Risque d'incendie. Maintenir tous les espaces spécifiés pour les espaces combustibles. Le non-respect de ces instructions peut provoquer un incendie ou provoquer une surchauffe de l'appareil. Assurez-vous que tous les dégagements (c'est-à-dire le dos, le côté, le haut, l'évent, le manteau, l'avant, etc.) sont clairement maintenus.
- Lorsque vous utilisez de la peinture ou de la laque pour finir le manteau, la peinture ou la laque doit être résistante à la chaleur pour éviter la décoloration.
- L'installation d'un téléviseur ou d'autres appareils électroniques au-dessus de l'appareil peut provoquer une décoloration, une fusion ou des dommages à l'électronique. Utilisez les autorisations comme directives et reportez-vous aux instructions du fabricant de votre téléviseur pour plus d'informations.

Le dégagement d'une tablette combustible à l'appareil peut varier selon la profondeur de la tablette. Utilisez le graphique pour vous aider à déterminer les dégagements nécessaires.

L'installation d'un manteau entre cet appareil et l'électronique ou d'autres matériaux susceptibles d'être sensibles à la chaleur réduira l'effet de la chaleur directe sur ceux-ci.

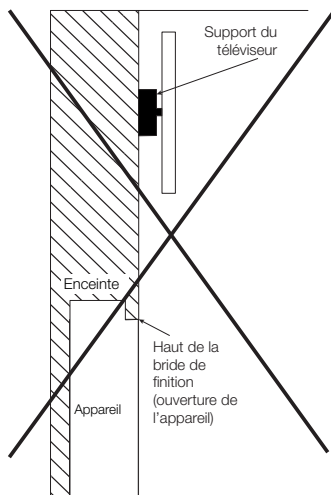
Assurez-vous que le châssis est correctement dimensionné (largeur et profondeur) en fonction de l'objet monté ci-dessus. Suivez les instructions de hauteur et de profondeur du manteau pour obtenir des informations appropriées.

Un manteau incombustible est considéré comme une protubérance incombustible, voir la section « finition ».

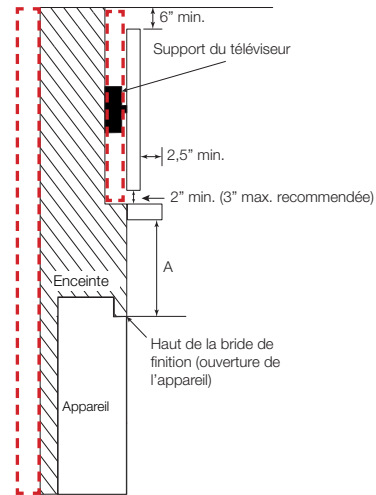


11.5 restrictions pour monter un téléviseur (sans DHC^{MD})

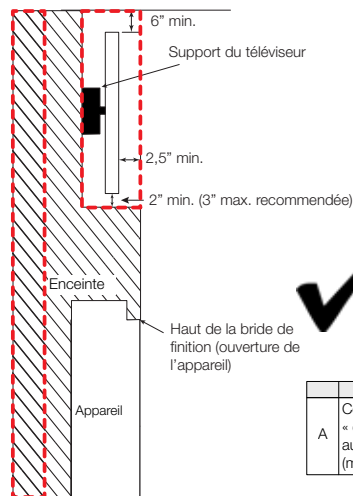
Installation affleurant sans un manteau



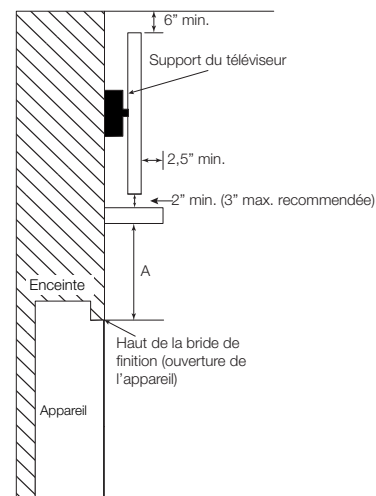
Installation partiellement enchâssées avec un manteau



Installation enchâssées avec une saillie



Installation affleurant avec un manteau



A	Consultez la section « dégagements minimal au manteau combustible » (manuel d'installation).
---	--

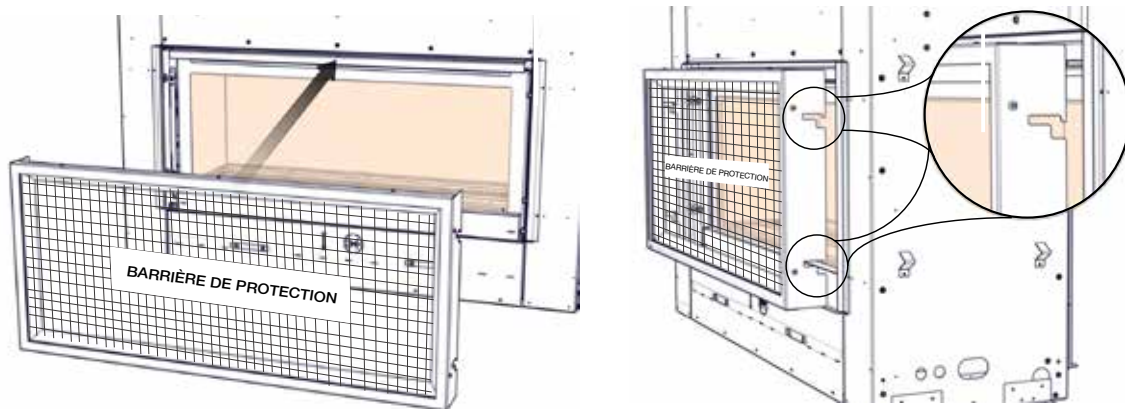
 Le volume d'air doit être ajouté à l'enceinte pour accueillir l'espace encastré.

note:

- Il s'agit des dégagements minimaux recommandés; ceux-ci sont fournis de bonne foi et ne constituent pas une garantie de conformité aux températures de fonctionnement maximales autorisées par le fabricant du téléviseur. Conformez-vous toujours aux exigences du fabricant du téléviseur.
- **Les températures du téléviseur doivent être validées au moment de l'installation**, car les caractéristiques de débit d'air dans la pièce peuvent varier et les températures de fonctionnement maximales acceptables peuvent varier d'un appareil à l'autre. Le téléviseur ne peut pas être utilisé lorsque sa température dépasse les températures de fonctionnement maximales autorisées par le fabricant (voir les caractéristiques techniques du fabricant du téléviseur).
- La hauteur de la profondeur du manteau doivent être conformes aux exigences de dégagements du manteau précisées dans ce manuel, consultez la section « dégagements minimal au manteau combustible » dans le manuel d'installation.
- La dimension « A » représente l'écart entre le haut de la bride de finition et le bas du téléviseur, à partir du haut de l'ouverture du foyer.
- Les températures du téléviseur peuvent être encore réduites en augmentant la distance horizontale entre l'avant du téléviseur et le bord avant du manteau, ou alors en augmentant la dimension « A ». Toutefois, l'augmentation de l'écart entre le haut du manteau et le bas du téléviseur au-delà de la valeur maximale recommandée entraîne généralement des températures plus élevées. Le dégagement minimale entre le manteau et le bas du téléviseur doit être maintenu pour permettre la circulation de l'air.

11.6 installation / enlèvement de la barrière de protection

- A. Pour enlever la barrière de protection de l'appareil, soigneusement soulevez-la hors des vis d'épaulement.

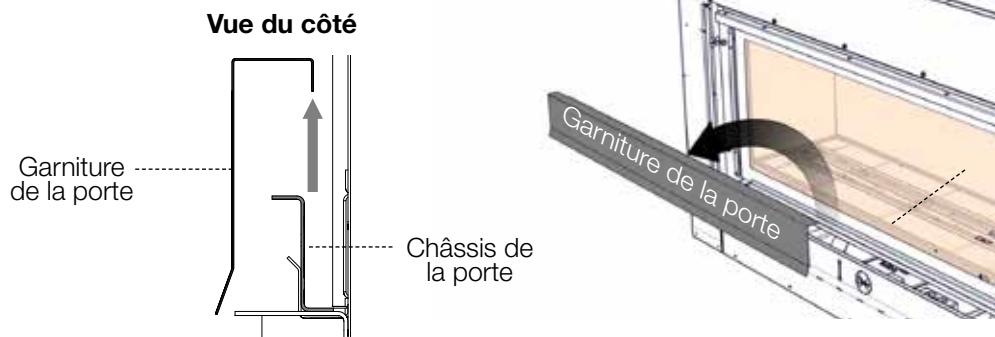


- B. Placez la barrière de protection sur l'appareil en la soulevant et en l'accrochant sur les vis à épaulement situées sur le côté. Ajustez la barrière pour qu'il soit à égalité avec le matériel de finition. Assurez-vous que la barrière de protection est installé correctement.

11.7 installation / enlèvement de la porte

⚠ AVERTISSEMENT

- N'insérez pas les doigts dans l'écart entre la porte et l'encadrement, il y a un risque de blessure en raison du mécanisme bondie.



TLV50 Illustré

- A. Enlever la barrière de protection, référer la section « installation / enlèvement de la barrière de protection » pour plus d'information.
- B. Enlever la garniture de la porte en soigneusement soulevez-la hors des du châssis inférieure de la porte.
- C. Pour l'enlèvement de la porte, localiser les loquets de la porte; tirer vers l'avant et à l'écart pour dégager les loquets de la porte.

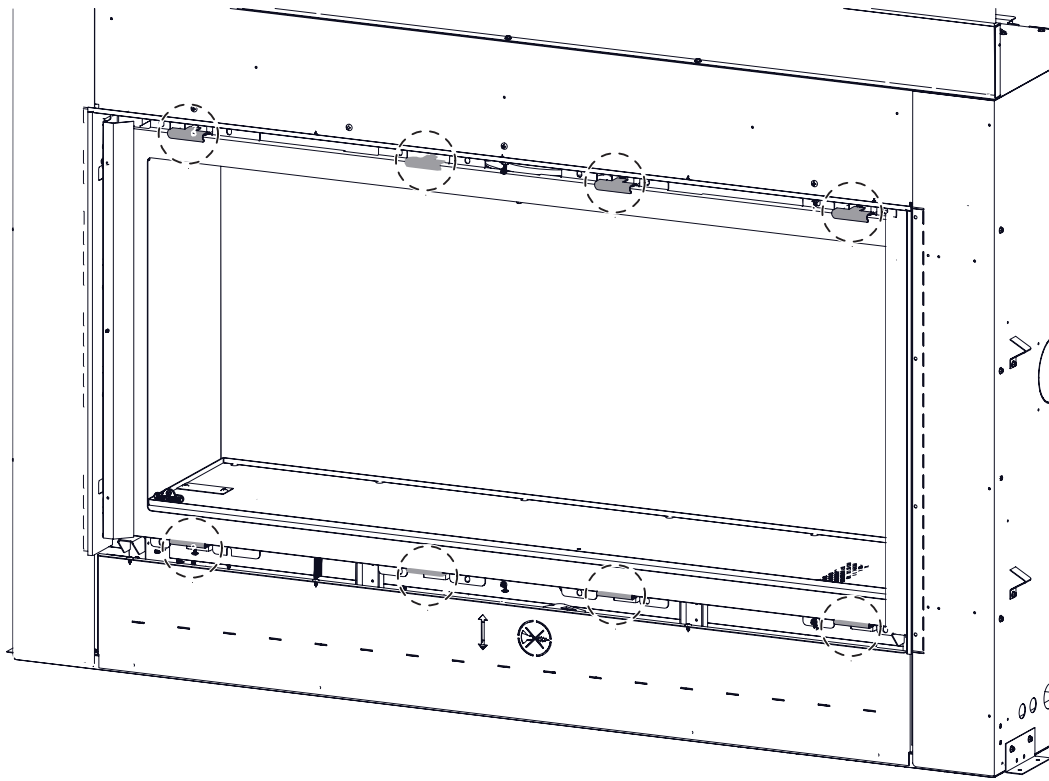
note:

Assurez-vous à laisser l'autre main sur la porte en verre lors de l'enlèvement de la porte.

- D. Pivotez le haut de la porte vers l'avant jusqu'à ce que vous puissiez saisir les côtés, puis soulevez la porte hors du support de porte inférieur.
- E. Inverser ces étapes pour réinstallez la porte, assurez-vous que les quatre loquets supérieure et les quatre loquets inférieure de la porte sont bien engagés avant de relâcher.

note:

Assurez-vous que la porte ouvre et ferme librement scellé.



TLV50 Illustré

IMPORTANT: Une fois les loquets enclenchés, vérifiez l'étanchéité de la porte.

! AVERTISSEMENT

- Nettoyez les braises vitrifiées avant d'installation. Assurez-vous qu'elles sont sèches avant de les disposer dans le plateau.
- Ne changez pas ou ni substituez pas les braises vitrifiées fournies avec cet appareil. En cas de remplacement, n'utilisez que les braises vitrifiées de rechange disponibles chez votre détaillant autorisé.
- Des braises vitrifiées sur le brûleur peut causer l'effet de faire monter la flamme et créer de la suie. Régler comme nécessaire.
- Ne placez aucun braises vitrifiées, ni vermiculite sur ou autour de l'ouverture de la veilleuse ni sur les orifices du brûleur. Ceci interférerait avec l'opération de la veilleuse.

Nettoyage des Braises Vitrifiées

Il est possible qu'un film huileux recouvre les braises. Avant de les disposer dans le plateau, nettoyez les braises avec un savon à vaisselle doux, égouttez-les, rincez-les à fond et laissez-les sécher.

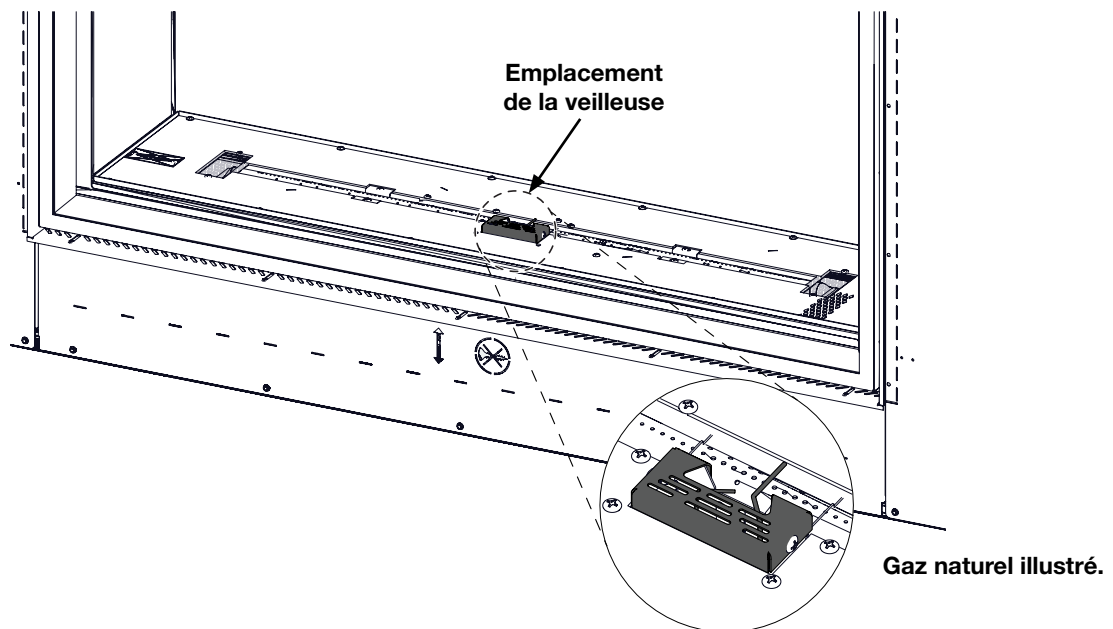
note:

N'utilisez pas plus de composants décoratifs de ce qui est fourni avec l'appareil. Ne pas placer les composants décoratifs directement sur le brûleur (**modèles GN seulement**).

Le média doit être installé à travers le plateau de brûleur, et une quantité petite à modérée du média doit être placée sur le brûleur en soi et, si nécessaire, ajustée d'atteindre une apparence de flamme agréable. **Ne placez jamais le média excessif sur le brûleur car cela peut entraîner la création de carbone et aussi une caractéristique de flamme inattractive. Pour les appareils plus petits, il est recommandé de ne placez pas le média sur les orifices de brûleur eux-mêmes car la différence dans le modèle de flamme peut être particulièrement perceptible.**

Ne placez jamais le média dans le boîtier de veilleuse ou sur le veilleuse. Assurez-vous que pas de média tombe dans l'ouverture de veilleuse. Si ça arrive, insérez un sac propre dans votre aspirateur et aspirez le média. Recharges du média peuvent être achetés de votre détaillant / distributeur local.

Toujours vérifiez que l'appareil enflamme bien à travers le brûleur entier pour assurer que l'emplacement de média ne compromet pas la performance. Faire attention particulier lors de l'utilisation des événements de puissance pour assurer que l'emplacement de média n'affect pas l'allumage ou la caractéristique de flamme. Ajustez le volet d'air selon le tableau au dessous de « ajustement de venturi ». Les différences indésirable dans le modèle de flamme résultent de l'emplacement excessif ou irrégulier / incorrect du média sur le brûleur.

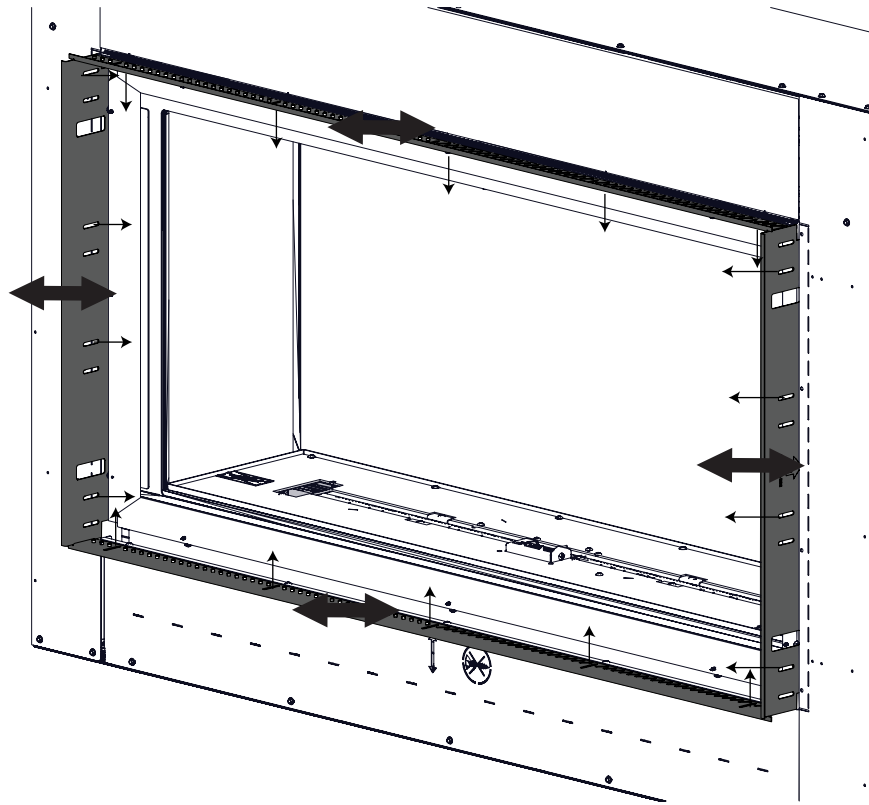


note:

Ne pas placer média directement sur les piques, voir la section « caractéristiques de la flamme ».

11.9 ajustement des garnitures de finitions

Pour ajuster votre garniture de finition, desserrez les vis 4 et tirez vers l'extérieur. Resserrer les vis une fois la profondeur désirée atteinte (voir ci-dessous).



12.0 ajustements

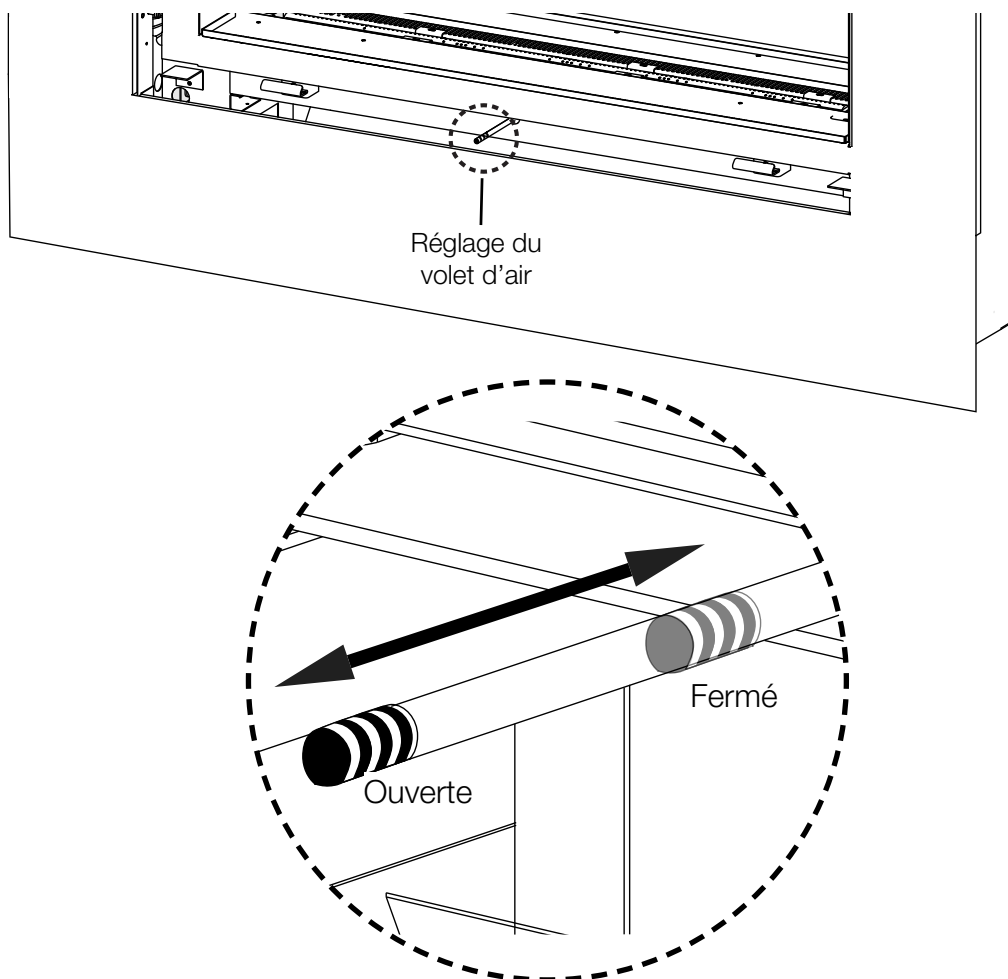
12.1 renstreignant des événements verticaux

Certaines configurations d'évacuation verticales peuvent avoir une flamme très active. Si cette apparence n'est pas désirée, la sortie du conduit d'évacuation doit être réduite en utilisant une plaque de restriction. Pour obtenir l'ensemble approprié, voir la section « **pièces de rechanges** » dans le manuel du propriétaire. Ceci diminuera la vitesse des gaz de combustion, ralentissant ainsi le mouvement de la flamme et créant une apparence plus traditionnelle. Les instructions sont incluses avec l'ensemble.

12.2 réglage du venturi

Cet appareil est muni d'un volet d'air à réglage externe qui **n'est pas** pré réglé en usine. Les réglages du volet d'air **doivent être** effectués lorsque le brûleur et les braises vitrifiées sont installés dans l'appareil. Il est important de faire fonctionner l'appareil pour s'assurer que le volet d'air est bien ajusté afin d'éviter que la flamme se détache des orifices du brûleur ou qu'elle produise des dépôts de carbone. Pour ouvrir et fermer le volet d'air, tirez la poignée vers vous pour l'ouvrir et poussez-le fermer.

Tout réglage mineur apporté au volet peut avoir une incidence considérable sur l'aspect de la flamme; il est recommandé de régler le volet par tranche de 1/8 po (32mm).



⚠ AVERTISSEMENT

- Le réglage du volet d'air doit être exécuté par un technicien ou installateur qualifié.

N'importe où la location du volet d'air est située si vous fermez le volet d'air le réglage du volet d'air causera une flamme plus jaune, et aussi mener à la carbonisation. Si vous ouvrez le volet d'air plus cela causera une flamme plus bleue, et aussi mener à la levée de la flamme des portes du brûleur. La flamme ne peut pas apparaître jaune immédiatement, permettre 15 à 30 minutes pour la couleur de la flamme d'établir.

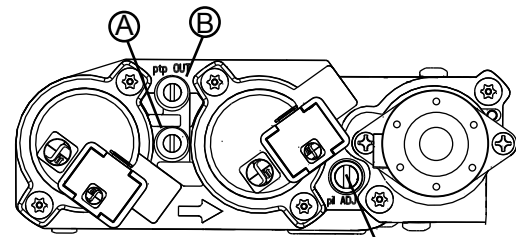
12.3 réglage de la veilleuse

Ajustez la vis de la veilleuse pour obtenir une flamme de taille normale. Tournez vers la droite pour réduire l'apport de gaz.

Vérifiez la pression:

Pour vérifier la pression d'arrivée, tournez la vis (A) vers la gauche deux à trois tours puis emboîtez le tube du manomètre sur la pointe d'essai. Le manomètre doit indiquer la pression comme décrit sur le diagramme ci-dessous. Vérifier la pression avec brûleur principal sur « HI ».

La vérification de la pression de sortie s'effectue comme ci-dessus en utilisant la vis (B). Le manomètre doit indiquer la pression comme décrit sur le diagramme ci-dessous. Vérifier la pression avec le brûleur principale sur « HI ».



VIS DE LA VEILLEUSE

Après avoir pris la lecture des pressions, assurez-vous de tourner fermement les vis vers la droite pour sceller. Ne serrez pas trop fort.

Vérifiez pour des fuites en appliquant une solution d'eau savonneuse.

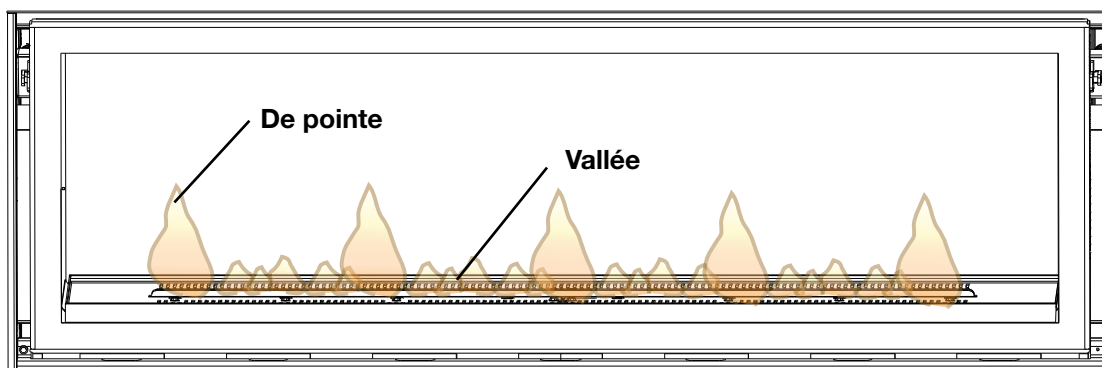
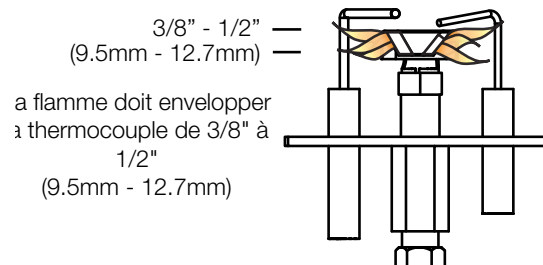
Avant d'effectuer le réglage de la veilleuse, assurez-vous que l'assemblage de la veilleuse n'a pas été peint. S'il y a des traces de peinture ou de surpulpvrisation, enlevez-les de l'assemblage de la veilleuse ou remplacez-le. Une toile d'émeri ou un tampon récurage (comme Scotch-Brite™) peut être utilisé pour enlever la peinture sur la hotte de la veilleuse, sur l'électrode et sur la capteur de flamme.

	Gaz Naturel	Propane
Min. Pression d'alimentation en gaz d'admission	4.5" w.c. (11mb)	11" w.c. (27mb)
Max. Pression d'alimentation en gaz d'admission	*13" w.c. (32mb)	13" w.c. (32mb)
Pression du collecteur (dans les conditions de flux)	3.5" w.c. (9mb)	10" w.c. (25mb)

* Pression d'entrée maximale ne dépassant pas 13 "

12.4 caractéristiques de la flamme

Il est important d'effectuer périodiquement une inspection visuelle de la flamme de la veilleuse et du brûleur. Comparez-les à ces illustration. Si des flammes paraissent anormales, contactez un technicien de service.



TLV50 Illustré

13.0 entretien

FR

WARNING

- Turn off the gas and electrical power before servicing the appliance.
- Appliance may be hot. Do not service until appliance has cooled.
- Do not use abrasive cleaners on glass.
- Do not paint the pilot assembly.

This appliance and its venting system (if equipped) should be inspected before use and at least annually by a qualified service person. The following suggested checks should be performed by a qualified technician. The appliance area must be kept clear and free of combustible materials, gasoline, or other flammable vapors and liquids. The flow of combustion and ventilation air must not be obstructed.

note:

Caution: Label all wires prior to disconnection when servicing controls. Wiring errors can cause improper and dangerous operation. Verify proper operation after servicing.

1. In order to properly clean the burner and pilot assembly, remove the logs, rocks and/or glass to expose both assemblies.
2. Keep the control compartment, media, burner, air shutter opening and the area surrounding the appliance clean by vacuuming or brushing, at least once a year.
3. Check to see that all burner ports are burning. Clean out any of the ports which may not be burning or are not burning properly.
4. Check to see that the pilot flame is large enough to engulf the flame sensor and/or thermocouple / thermopile as well as it reaches the burner.
5. If your appliance is equipped with a safety barrier, cleaning may be necessary due to excessive lint / dust from carpeting, pets, etc. simply vacuum using the brush attachment.
6. If your appliance is equipped with relief doors, ensure the system performs effectively. Check that the gasket is not worn or damaged. Replace if necessary.
7. Reinstall the cleaned logs, rocks or glass. Failure to properly position the media may cause carboning which can be distributed in the surrounding living area, inside the firebox and on exterior surfaces surrounding vent termination.
8. Check to see that the main burner ignites completely on all ports when turned on. A 5 to 10 second total light-up period is satisfactory. If ignition takes longer, consult your local authorized dealer / distributor.
9. Visually inspect the appliance for carbon build up. Using a small whisk or brush, brush off the carbon and vacuum up or sweep into garbage.
10. **This step is not applicable for Vent Free appliances:** Check to see that the appliance is venting correctly. Ensure chimney system is safe and unobstructed. (If for any reason the vent air intake system is disassembled, re-install and re-seal per the instructions provided for the initial installation).

24.3A

13.1 entretien annuel

! AVERTISSEMENT

- Le caisson devient très chaud lors du fonctionnement. Laissez l'appareil se refroidir complètement ou portez des gants antichaleur avant d'effectuer l'entretien.
- Ne jamais aspirer des braises qui sont chaudes.
- Ne peignez pas l'assemblage de la veilleuse.

- Cet appareil nécessite un entretien qui devra être effectué sur une base annuelle.
- L'entretien devrait inclure un nettoyage, le remplacement des piles, une inspection du système d'évent, du brûleur, des éléments décoratifs internes et de la chambre de combustion. Consultez la section pour l'enlèvement de la porte et retirez la porte comme indiqué. Consultez la section pour l'enlèvement de l'écran de protection et retirez la porte comme indiqué.
- Enlevez soigneusement les éléments décoratifs internes s'il y a lieu (bûches, braises de verre, panneaux de brique, etc.)
- À l'aide d'un aspirateur muni d'une brosse souple, aspirez les saletés, les débris et les dépôts de carbone sur les bûches, la chambre de combustion et le brûleur. Pour les braises de verre, suivez les instructions de prénettoyage.

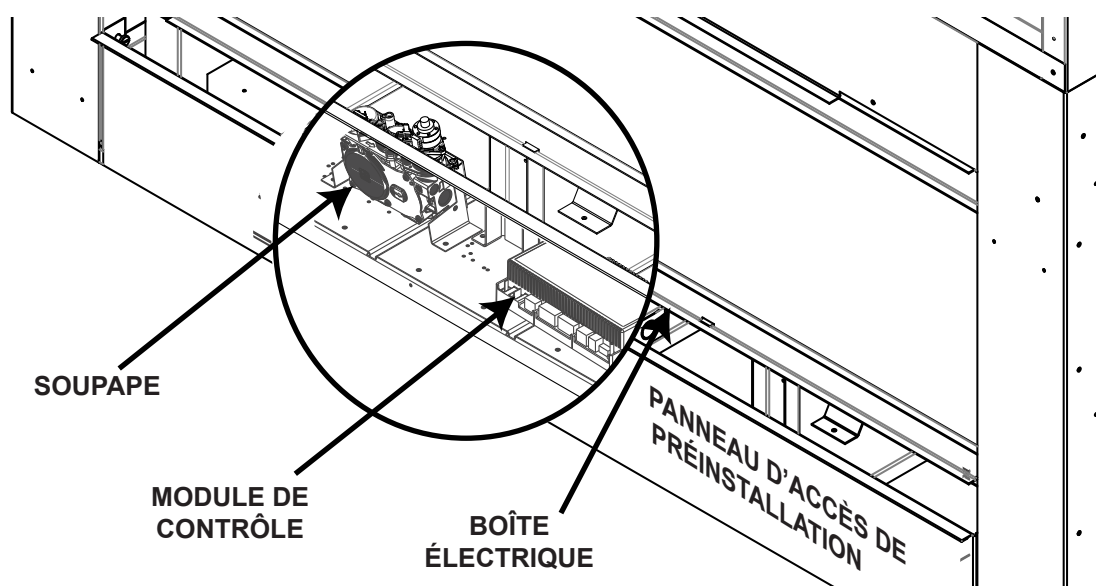
note:

Vous devrez nettoyer le capteur de flamme à l'aide d'un morceau de laine d'acier ou un tampon récurage (Scotch-Brite^{MD}) afin de retirer toute trace d'oxydation. Nettoyez l'assemblage du pilote à l'aide d'un aspirateur muni d'une brosse souple. Il est important de ne pas peindre l'assemblage de la veilleuse.

- Enlevez aussi tout dépôt se trouvant sur l'assemblage de la veilleuse et aussi, s'il y a lieu, sur la thermopile, le thermocouple, le capteur de flamme et l'allumeur.
- Inspectez tous les joints d'étanchéité accessibles et remplacez-les au besoin.
- Accédez à la soufflerie, s'il y a lieu, puis nettoyez à l'aide d'une brosse souple et d'un aspirateur.
- Réinstallez tous les composants dans l'ordre inverse.
- Inspectez le système de surpression. L'appareil dissipe la pression par la porte vitrée ou par les clapets sur le dessus du caisson. Assurez-vous qu'ils ouvrent sans restriction et qu'ils ferment de façon étanche. Si la vitre de la porte est fissuré, remplacer. Seulement utiliser le verre fourni par votre détaillant autorisé.
- Vérifiez si la soupape de gaz de la veilleuse et les boutons Hi / Lo bougent librement (s'il y a lieu) - remplacez si vous constatez de la rigidité dans le mouvement.
- Vérifiez tous les branchements du gaz pour des fuites de gaz, en amont et en aval de la soupape de gaz incluant les connexions du tube de la veilleuse.

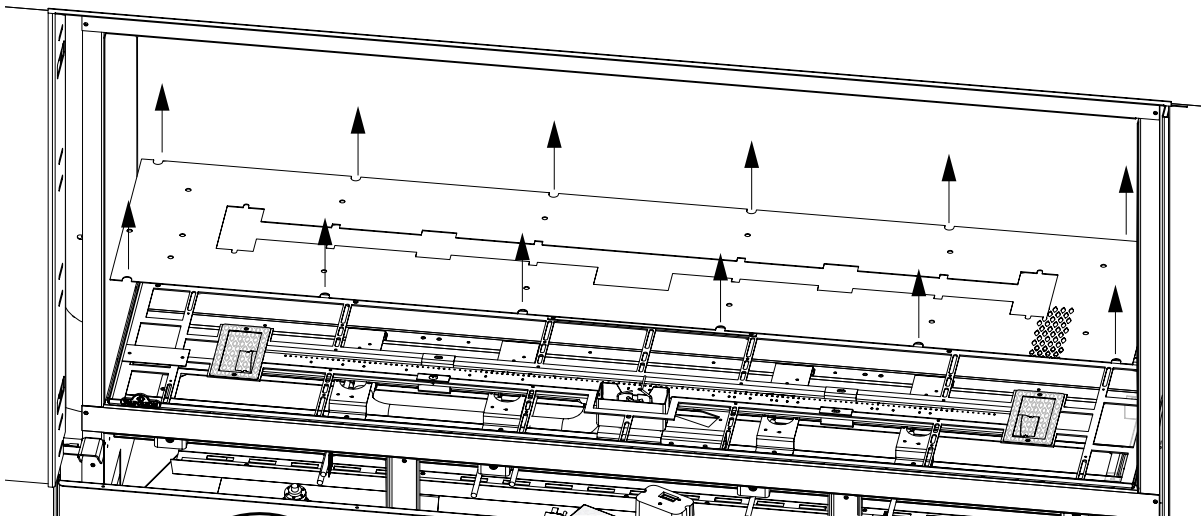
13.2 accès aux contrôles

L'accès aux contrôles peut être fait par l'intermédiaire du foyer après enlever l'écran de protection, la porte vitrée et la garniture de la porte.



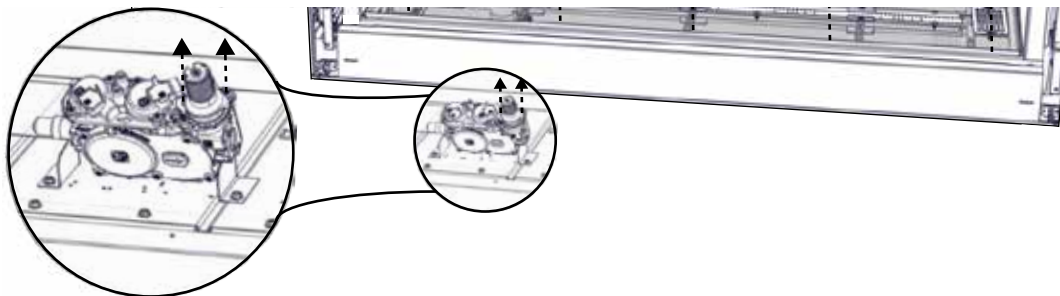
13.3 enlèvement du brûleur

- A. Enlever l'assemblage de l'écran de protection et la porte, référer aux sections « installation / enlèvement de la barrière de protection » et « installation / enlèvement de la porte » pour plus de détails.
- B. Enlever les composants décoratifs de l'appareil.
- C. Retirez les vis du plateau média comme indiqué, et soulevez le brûleur, le grillage et le cadre (un seul ensemble).
- D. Déconnecter l'obturateur d'air.



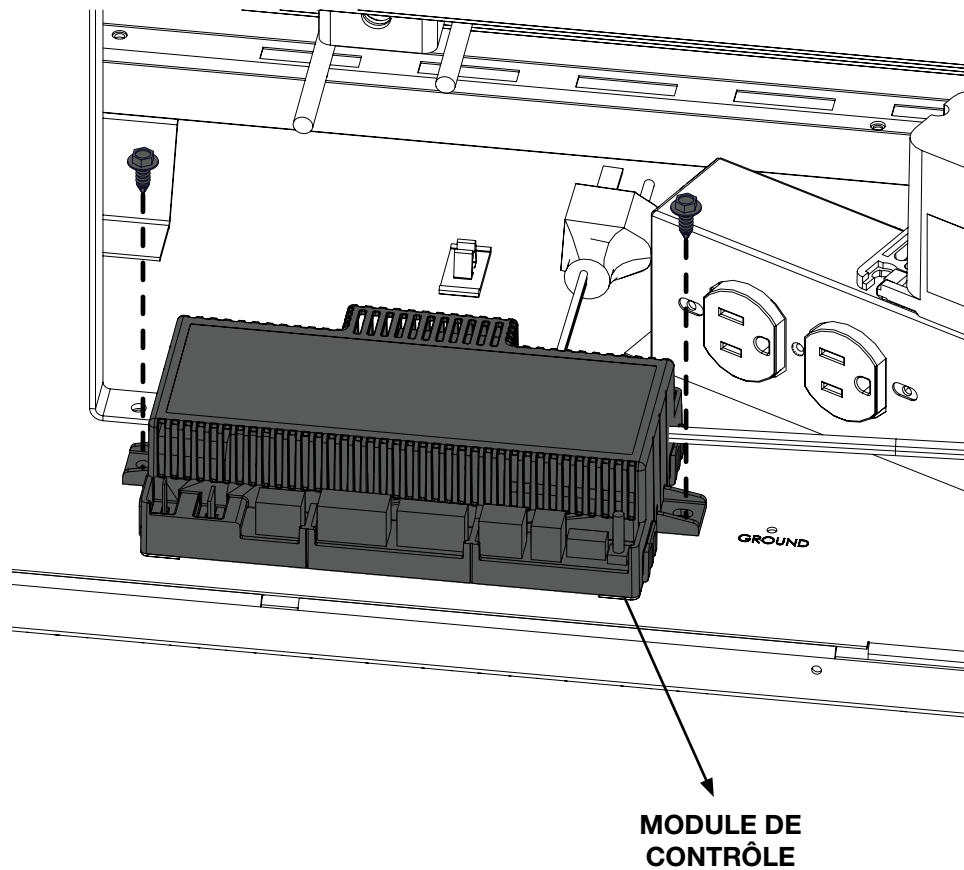
13.4 enlèvement de la soupape

- A. Enlever l'assemblage de l'écran de protection et la porte, référer au section « installation / enlèvement de la barrière de protection » et « installation / enlèvement de la porte » pour plus de détails.
- B. Débranchez le raccord flexible de la soupape. Enlevez les fils de connexion à la soupape en les identifiant pour faciliter le rebranchement.
- C. Retirez les vis du support de la soupape et enlevez la soupape.
- D. Réinstallez toutes les composants avant de faire fonctionner l'appareil.
- E. Vérifiez pour des fuites de gaz en appliquant une solution d'eau savonneuse.



13.5 enlèvement du module de contrôle

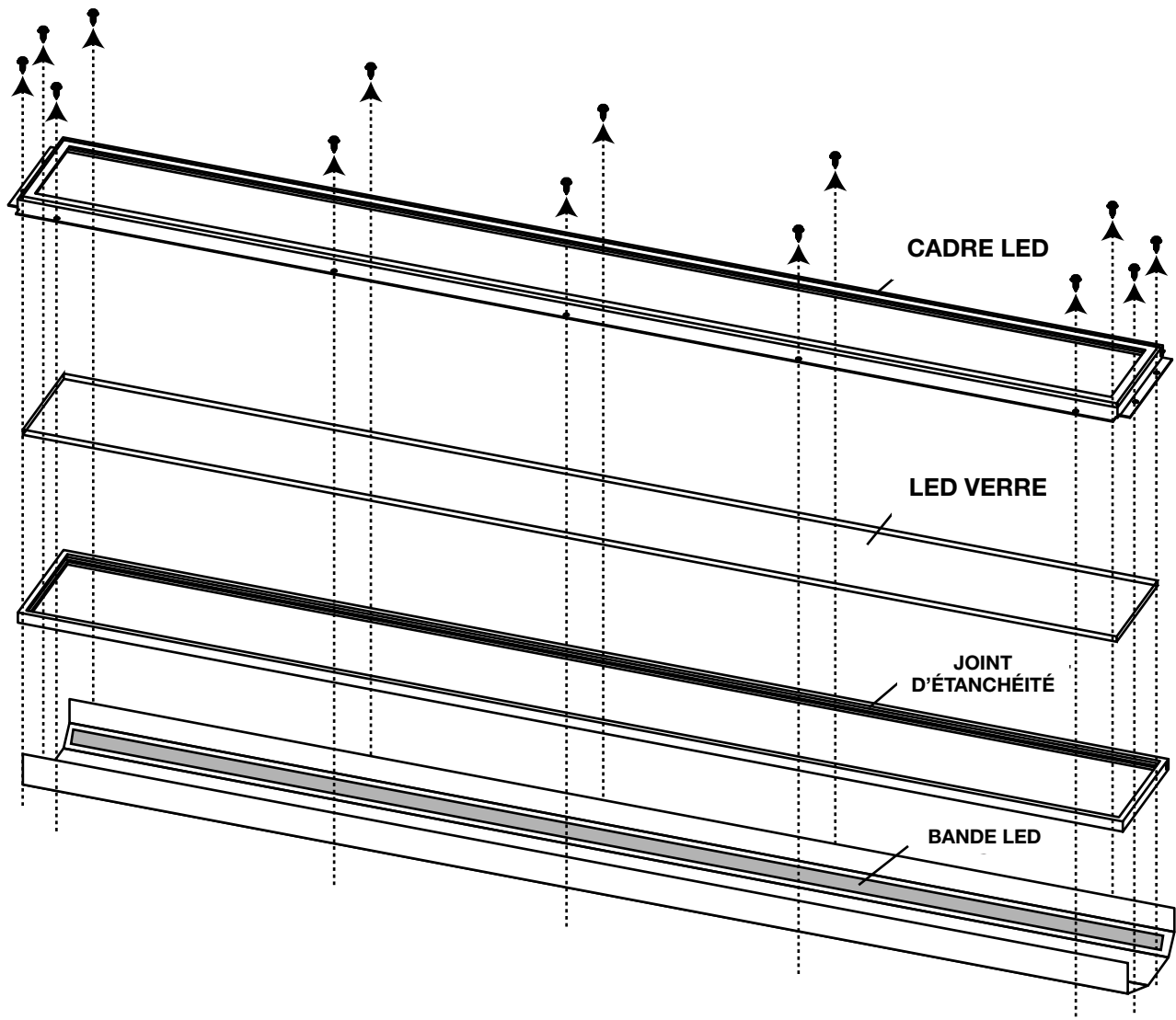
- A. Retirez la barrière de protection et la porte vitrée, référer les sections « installation / enlèvement de la barrière de protection » et « installation / enlèvement de la porte » pour plus de détails.
- B. Retirez les deux vis servant à fixer le module de contrôle. Débrancher et enlever.
- C. Assurez-vous d'identifier les fils branchés dans le module de commande. Il est essentiel que les fils soient reconnectés aux connecteurs appropriés.
- D. Remplacez et réinstallez les composants.



13.6 remplacement DEL

Cet appareil est équipé de nos lumières DEL. Si vous devez remplacer les lumières DEL, suivez les instructions suivantes.

- A. Coupez l'alimentation électrique.
- B. Retirez la barrière de protection et la porte vitrée, référer aux sections « installation / enlèvement de la barrière de protection » et « installation / enlèvement de la porte vitrée » pour plus de détails.
- C. Retirez le plateau et l'assemblage du brûleur, référer la section « enlèvement du brûleur » pour plus de détails.
- D. Débrancher la bande de DEL à partir du module de contrôle.
- E. Retirer la verre DEL en enlevant les vis fixant le cadre DEL en place, puis soulevez-le hors de l'appareil.
- F. Retirer la bande de DEL en retirant les 4 vis de fixation. Remplacer et réinstaller les composants.



13.7 remplacement de la vitre / porte

! AVERTISSEMENT

- N'utilisez pas de matériaux de substitution.
- La vitre peut être chaude, ne touchez pas la vitre jusqu'à ce qu'elle ait refroidi.
- Usez de prudence lorsque vous enlevez et jetez des débris de verrou des composants endommagés. Assurez-vous d'aspirer tous les débris de verre à l'intérieur de l'appareil avant de le faire fonctionner.
- Ne frappez pas, ne claquez pas et n'égratinez pas la porte vitrée. Ne faites pas fonctionner l'appareil lorsque la porte vitrée est enlevée, fissurée, brisée ou égratignée

Ensemble de verre/cadre de remplacement est remplacé complète telle que fournie par le fabricant de l'appareil.

13.8 soins de la vitre

! AVERTISSEMENT

- Nettoyer pas la vitre lorsqu'elle est chaude! N'employez pas de détergents abrasifs pour nettoyer la vitre.

Polissez légèrement à l'aide d'un linge propre et sec pour enlever la poussière et les traces de doigts. Nettoyez les deux côtés de la vitre avec un nettoyant sans ammoniaque après les quatre premières heures de fonctionnement.

note:

Les nettoyants à base de vinaigre procurent habituellement une surface propre et sans traces.

Par la suite, nettoyez aussi souvent qu'il le faudra, sinon la vitre risque de rester marquée en permanence. Contactez votre revendeur/distributeur agréé local pour obtenir des instructions de nettoyage complètes.

Ne touchez pas la surface intérieure ou extérieure de la vitre avec des lames de rasoir, de la laine d'acier ou d'autres objets métalliques puisque la mince couche de métal retirée de l'objet pourrait se déposer sur le revêtement causant une décoloration ou une égratignure. Plus important encore, cela peut rayer la surface du verre réduisant ainsi sa puissance.

Ne pas faire fonctionner l'appareil avec la vitre brisée, les fuites de gaz de combustion peut résulter.

Contactez votre détaillant local autorisé pour les instructions de nettoyage complètes.

Si la vitre devait fissurer pendant que le feu brûle, n'ouvrez pas la porte jusqu'à ce que le feu s'éteigne et n'utilisez pas l'appareil jusqu'à ce que la vitre ait été remplacée par une nouvelle, disponible chez votre détaillant autorisé. **N'UTILISEZ PAS DE MATÉRIAUX SUBSTITUTS.**

13.9 soins des pièces plaquées

Si l'appareil est muni de pièces plaquées, vous devez enlever toutes traces de doigts ou autres marques des surfaces plaquées avant d'allumer l'appareil pour la première fois. Utilisez les nettoyants sans ammoniaque ou à base de vinaigre. Si la surface plaquée n'est pas bien nettoyée avant le premier allumage de l'appareil, elle risque de rester marquée en permanence. Une fois que la surface plaquée aura chauffé, les traces de doigts et le gras n'affecteront plus la surface et très peu d'entretien sera requis; vous n'aurez qu'à l'essuyer au besoin. Une combustion prolongée à haute température avec la porte ouverte peut causer une décoloration des pièces plaquées.

note:

L'emballage de protection sur les pièces plaquées s'enlève mieux lorsque l'assemblage est à température ambiante ou lorsqu'il est chauffé (c.à.d. avec un séchoir à cheveux ou une autre source de chaleur similaire).

Cet appareil est muni d'une vitre de 5mm en céramique. Remplacez uniquement avec une pièce pour le foyer disponible chez votre détaillant autorisé. **N'UTILISEZ PAS DE MATÉRIAUX SUBSTITUTS.**

14.0 pièces de rechange

FR

AVERTISSEMENT

- Omettre de positionner les pièces conformément à ce manuel ou d'utiliser uniquement des pièces spécifiquement approuvées pour cet appareil peut causer des dommages matériels ou des blessures corporelles.

Contactez votre détaillant pour les questions concernant les prix et la disponibilité des pièces de remplacement. Normalement, toutes les pièces peuvent être commandées chez votre détaillant autorisé.

Pour un remplacement de pièce sous garantie, une photocopie de la facture originale sera requise afin de pouvoir honorer la demande.

Lorsque vous commandez des pièces, donnez toujours l'information suivante:

- Modèle et numéro de série de l'appareil
- Date d'installation de l'appareil
- Numéro de la pièce
- Description de la pièce
- Fini

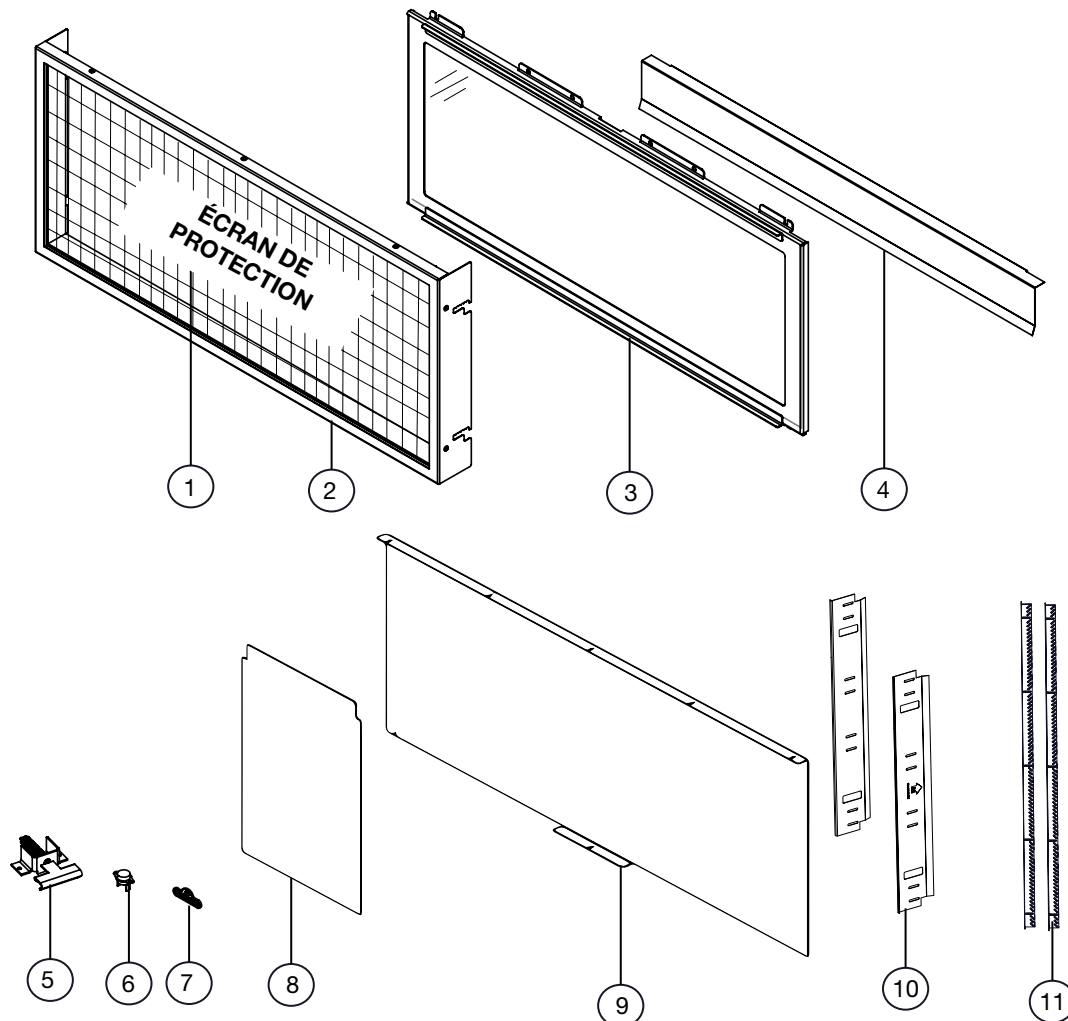
Pièces, numéro des pièces et s'il soit disponible peut changer sans préavis.

Parties identifiées comme garnie seront livrés dans 2 à 5 jours pour la plupart des destinations de livraison.

Pièces non identifiées que stockés seront livrés dans un délai de 2 à 4 semaines pour la plupart des cas.

Pièces identifiées comme « SO » sont commande spéciale et peuvent prendre jusqu'à 90 jours pour la livraison.

14.1 vue d'ensemble



Ces articles peut différer de celle illustré

RÉF. #	Description	No. de Partie			En Stock
		TLV50	TLV62	TLV74	
1	Écran de sécurité (Premium)	W565-0351-SER	W565-0352-SER	W565-0353-SER	
2	Barrière de sécurité	W010-6179-SER	W010-6180-SER	W010-6181-SER	Oui
3	Assemblage de porte fixe	W010-6163-SER	W010-6168-SER	W010-6176-SER	Oui
4	Garniture de porte	W715-1144-SER	W715-1124-SER	W715-1123-SER	
5	Ensemble de loquet de porte	W010-3554			
*6	Commutateur de limite supérieure	W660-0204			
7	Logo Napoléon	W385-2010			Oui
8	Panneau d'extrémité en porcelaine	W475-7883-BK2GL			
9	Panneau en porcelaine (arrière)	W475-7886-BK2GL-SER	W475-7887-BK2GL-SER	W475-7888-BK2GL-SER	
10**	Garniture de finition, haut/bas	W715-1307-BK1FT	W715-1308-BK1FT	W715-1309-BK1FT	
11	Garniture de finition, côtés	W715-1306-BK1FT			

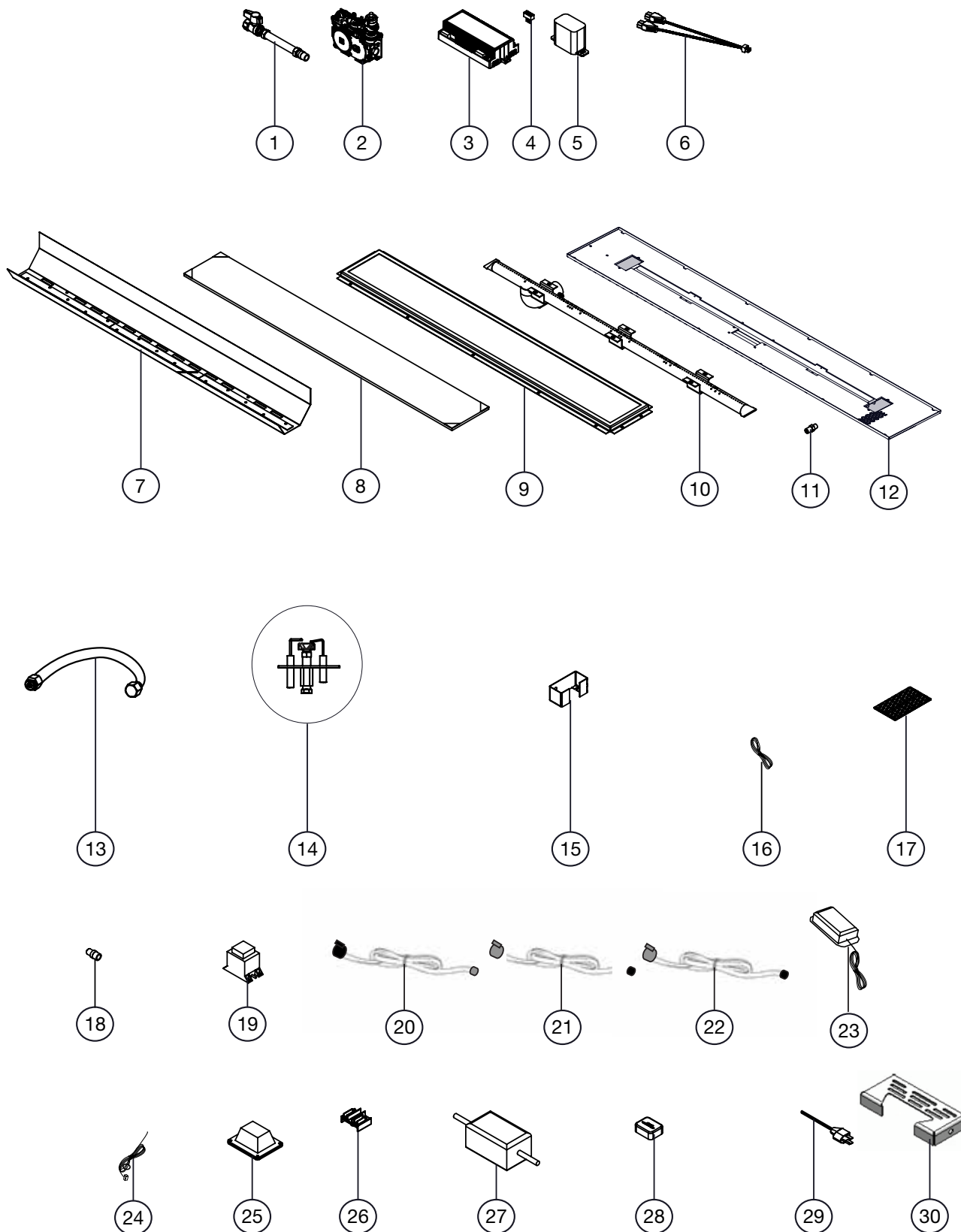
* Lorsque votre appareil est équipé du système Ducted Heat Management^{MD} optionnel.

** Parties non illustrés.

pièces de rechange

FR

14.2 composants du brûleur



Ces articles peut différer de celle illustré.

Réf. #	Description	No. de Partie			En Stock
		TLV50	TLV62	TLV74	
1	Connecteur Flex (avec éteindre)	W175-0217		W175-0841	Oui
2	Soupape (GN)	W725-0056			Oui
3	Panneau de contrôle	W190-0177			Oui
4	Harnais de fil du panneau de contrôle	W750-0276			Oui
5	Boîtier de bloc-piles	W350-0655			Oui
6	Fiche à trois broches en tire-buchon	W750-0358			Oui
7	Assemblage lumière DEL	W010-3652-SER	W010-4079-SER	W010-4078-SER	
8	Assemblage de verre DEL	W010-3714-SER	W010-4071-SER	W010-4070-SER	
9	Couvercle DEL	W200-0499-SER	W200-0653-SER	W200-0652-SER	
10	Ensemble brûleur (NG)	W100-0332-SER	W100-0333-SER	W100-0335-SER	
11	Injecteur du brûleur (NG)	W456-0034	W456-0030	W456-0030	
	Injecteur du brûleur (P)	W456-0052	W456-0050	W456-0049	Oui
12	Assemblage du plateau	W010-6165-SER	W010-6167-SER	W010-6175-SER	
13	Collecteur	W432-0533			
14	Assemblage de veilleuse (GN)	W010-4895			Oui
	Assemblage de veilleuse (P)	W010-4896			Oui
15	Boîtier de veilleuse	W585-1024			
16	Harnais de fils PF2	W750-0276			Oui
17	Assemblage du couvercle de média	W010-6166-SER			
18	Connecteur	W445-0038			Oui
19	Transformateur	W707-0019			Oui
20	Fil DEL (Noir)	W750-0432	W750-0433		
21	Fil DEL (Blanc)	W750-0401	W750-0430	W750-0401	
22	Fil auxiliaire de DEL	W750-0434			
23	Controlleur DEL	W190-0125			
24	Harnais de fils de Bluetooth	W750-0435			
25	Lumière d'accent (avec joint d'étanchéité)	W405-0096-SER			Oui
26	Borne	N/A	W060-0008		Oui
27	Transformateur de la lumière de veille	W707-0019	W707-0027		
28	Module Bluetooth	W190-0090			Oui
29	Module Bluetooth	W750-0294			
30	Capuchon Pilote	W120-0115			

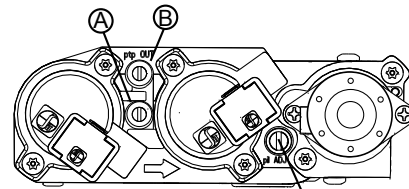
15.0 guide de dépannage

FR

AVERTISSEMENT

- Allumez toujours la veilleuse, que ce soit pour la première fois ou lorsque l’approvisionnement en gaz est épuisé, avec la porte vitrée ouverte ou retirée.
- Coupez l’alimentation en gaz et l’alimentation électrique avant de procéder à l’entretien de l’appareil.
- L’appareil peut être chaud. N’effectuez aucun entretien jusqu’à ce que l’appareil soit refroidi.
- N’utilisez pas de nettoyeurs abrasifs

symptôme	problème	solution
La flamme du brûleur principal est bleue, paresseuse et transparente (Ce n’est pas applicable dans les appareils d’extérieur)	Système d’évacuation bloqué.	- Enlevez ce qui obstrue. Dans des conditions de froid extrême, une accumulation de glace peut se former sur la terminaison et devrait être enlevée lorsque nécessaire. (Pour minimiser les chances que cela survienne de nouveau, il est recommandé que les événements qui passent à travers des espaces non chauffés [greniers, garages, espaces réduits] soient recouverts d’un manchon isolant en mylar).
	Installation incorrecte.	- Voir la section « évacuation » pour vérifier le bon emplacement des collets de solin.
Les flammes sont régulièrement trop grandes ou trop petites. Il se produit des dépôts de carbone.	La pression du gaz est trop faible ou trop forte.	- Vérifiez la pression: Pour vérifier la pression d’arrivée, tournez 2 ou 3 fois la vis (A) vers la gauche, puis emboîtez le tube du manomètre sur la pointe d’essai. Le manomètre doit indiquer la pression comme décrit sur le diagramme ci-dessous. Assurez-vous que le brûleur principal fonctionne à « HI ». La pression de sortie peut être vérifiée de la même façon en utilisant la vis (B). Le manomètre doit indiquer la pression comme décrit sur le diagramme ci-dessous. Assurez-vous que le brûleur principal fonctionne à « HI ». Après avoir pris la lecture des pressions, assurez-vous de tourner fermement les vis vers la droite pour sceller. NE SERREZ PAS TROP FORT. Vérifiez pour des fuites en appliquant une solution d’eau savonneuse.
	Le volet d’air est réglé incorrectement.	- Voir la section « réglage du venturi » pour le réglage de l’ouverture du volet d’air dans le manuel d’installation.
Du carbone se dépose sur la vitre, les bûches, les roches, les composants décoratifs ou les parois de la chambre de combustion.	Le volet d’air est bloqué.	- Assurez-vous que l’ouverture du volet d’air n’est pas bloquée par des fibres ou autres obstructions.
	Le flamme effleure la vitre, les bûches, les roches, les composants décoratifs ou les parois de la chambre de combustion.	- Vérifiez si les composants décoratifs sont positionnés correctement. - Augmentez l’ouverture du volet d’air pour augmenter le volume d’air primaire. - Vérifiez le débit d’alimentation: vérifiez que la pression du collecteur et la grandeur de l’injecteur soient telles que spécifiées sur la plaque d’homologation. - Vérifiez si les joints d’étanchéité de la porte ne sont pas brisés ni manquants et qu’ils sont étanches. - Vérifiez que les deux conduits d’évent ne soient pas troués et qu’ils soient bien scellés à tous les joints. - Vérifiez si l’élévation minimale par pied (mètre) est conforme pour toute évacuation horizontale.
Une pellicule blanche ou grise se forme.	Le soufre du combustible se dépose sur la vitre, les bûches ou les parois de la chambre de combustion.	- Nettoyez la vitre avec un nettoyeur recommandé. NETTOYER PAS LORSQU’ELLE EST CHAUDE. - Si vous nettoyez pas les dépôts régulièrement, la vitre risque de rester marquée en permanence.
On détecte l’odeur des gaz de combustion dans la pièce, maux de tête.	L’appareil refoule les gaz de combustion dans la pièce. (Ce n’est pas applicable dans les appareils d’extérieur).	- Vérifiez tous les joints scellés de la porte. - Vérifiez si la cheminée ne serait pas bloquée. - Vérifiez que les conduits d’évents sont installés correctement. - La pièce est sous pression négative; augmentez l’apport d’air frais.



VIS DE LA VEILLEUSE

symptôme	problème	solution
La veilleuse ne s'allume pas. Il y a du bruit mais aucune étincelle au brûleur de la veilleuse.	Câblage: pénurie, connexion desserrée (rectification de la flamme pauvres).	<ul style="list-style-type: none"> - Vérifiez qu'il n'y a pas de connexions desserrées du thermocouple ni sonde de flamme. - Vérifiez l'interrupteur de bloc n'est pas endommagée ou trop serré. Vérifiez si les connexions de l'assemblage de la veilleuse sont serrées; vérifiez aussi si ces connexions ne causent pas de mise à la terre au niveau du métal. (Souvenez-vous que la flamme transporte le courant redresseur et non le gaz. Si la flamme se détache de la hotte, le circuit est rompu. Un mauvais injecteur ou une pression d'arrivée trop élevée peut causer la flamme de la veilleuse à se détacher)*. La tige de la sonde a possiblement besoin d'être nettoyée.
	Aucun signal du télécommande avec ignition du veilleuse.	<ul style="list-style-type: none"> - Reprogrammer le code du récepteur. - Remplacer le récepteur.
	Connexion desserrée.	<ul style="list-style-type: none"> - Vérifiez qu'il n'y ait pas de connexions desserrées de courts-circuits dans le filage du soupape ni de l'assemblage de la veilleuse.
	Filage d'interrupteur inapproprié.	<ul style="list-style-type: none"> - Réparez le système avec un simple interrupteur marche/arrêt.
	Composants de veilleuse sale, peint ou endommagée.	<ul style="list-style-type: none"> - Nettoyez la tige de la sonde avec une toile d'émeri (Scotch-Brite™) afin d'enlever toute contamination qui ait pu s'accumuler sur la tige de la sonde. Vérifiez la continuité avec un multimètre réglé sur Ohms au calibre le plus bas.
Étincelle à la veilleuse mais celle-ci ne s'allume pas.	Alimentation en gaz.	<ul style="list-style-type: none"> - Vérifiez si la soupape à bille du conduit d'arrivée du gaz est « ouverte ». - Vérifiez si la pression d'arrivée est dans les limites acceptables. La pression d'arrivée ne doit pas excéder 13" de colonne d'eau (32,4mb).
	Plus de propane.	<ul style="list-style-type: none"> - Remplissez le réservoir.
	La ligne d'alimentation de la veilleuse peut contenir l'air.	<ul style="list-style-type: none"> - Répétez le processus d'étincelles plusieurs fois ou purger la conduite d'alimentation de la veilleuse.
	Le module n'est pas mis à la terre.	<ul style="list-style-type: none"> - Assurez le bon polarité du thermocouple (si fourni). - Vérifiez si les assemblages de la veilleuse et de la soupape sont bien mis à la terre.
	Récepteur (si équipé).	<ul style="list-style-type: none"> - Réinitialisez le programme: tenir le bouton de réinitialiser sur le récepteur attendre pour 2 bips. Relâcher le bouton après la deuxième bip. Pendant 20 secondes, appuyez sur le bouton de la télécommande accompagné d'une petite flamme, vous entendrez une bip additionnelle (cela confirmant que le code est réglé). - Remplacez le récepteur.
	Soupape.	<ul style="list-style-type: none"> - Vérifiez le soupape et remplacer si nécessaire (attention à ne pas trop serrer le thermocouple).
Continue de produire des étincelles et la veilleuse s'allume mais le brûleur principal ne s'allume pas.	Court-circuit ou connexion desserrée dans la tige de la sonde.	<ul style="list-style-type: none"> - Vérifiez toutes connexions. Vérifiez si les connexions de l'assemblage de la veilleuse sont serrées; vérifiez aussi si ces connexions ne causent pas de mise à la terre au niveau du métal.
	Composants de veilleuse sale, peint ou endommagée.	<ul style="list-style-type: none"> - Nettoyez la tige de la sonde avec une toile d'émeri (Scotch-Brite™) afin d'enlever toute contamination qui ait pu s'accumuler sur la tige de la sonde. Vérifiez la continuité avec un multimètre réglé sur Ohms au calibre le plus bas.
Interrupteur mural est en position « off »; la brûleur s'allume.	L'interrupteur mural est monté à l'envers.	<ul style="list-style-type: none"> - Inverse.
	Interrupteur mural et/ou le fil est relié à la terre.	<ul style="list-style-type: none"> - Remplacer. - Vérifier la masse (court); réparer ou remplacer les fils.
	Câble défectueux.	<ul style="list-style-type: none"> - Remplacer.
Le télécommande ne fonctionne pas correctement.	La télécommande s'allume mais aucune étincelle ou flamme. (La télécommande est verrouillée).	<ul style="list-style-type: none"> - Réinitialiser en tournant l'alimentation « off » puis « on ». <div style="border: 1px solid black; padding: 5px; margin-top: 5px;"> <p>note: Si les piles de sauvegarde sont installés, ils doivent être enlevées pour programmer le télécommande.</p> </div>
	Les piles du récepteur ou télécommande sont faibles.	<ul style="list-style-type: none"> - Remplacez les piles.
	Erreur de synchronisation.	<ul style="list-style-type: none"> - Réinitialiser le télécommande et le récepteur.
	Le télécommande est trop loin du récepteur.	<ul style="list-style-type: none"> - Voir la section « schéma de câblage ».
	Les broches de connecteur de fils sont courbées.	<ul style="list-style-type: none"> - Redresser les fils.
	Câblage de la soupape est endommagée	<ul style="list-style-type: none"> - Remplacez la soupape.

symptôme	problème	solution
Lumières ou la soufflerie ne fonctionnent pas (si équipé).	L'interrupteur de contrôle est à la mauvaise position.	- Vérifiez que l'interrupteur « on/off » est en position « I », ce qui indique le fonctionnement.
	L'interrupteur « COM » est débranché.	- Vérifiez que l'interrupteur « COM » est branché à l'avant du module de contrôle.
Les flammes sont très actives.	La porte est ouvert.	- Assurez-vous que la porte est bien fermée.
	Forte action de ventilation.	- Assurez-vous que l'évacuation est adéquatement scellée ou étranglez la sortie de l'évacuation avec la plaque de restriction. (La plaque de restriction n'est pas disponible pour toutes modèles).
L'appareil n'effectue aucune fonction.	Pas de puissance au système.	- Vérifiez que le disjoncteur est dans la position « on » position.
	L'interrupteur du récepteur est à la mauvaise position (si équipé).	- Vérifiez que le récepteur est dans la position « milieu ».
	La télécommande ne fonctionne pas.	- Vérifiez les pile ainsi que leur orientation.

symptôme	problème	solution
----------	----------	----------

Le guide suivant est pour le système de SIT seulement:

La veilleuse ne s'allume pas. Aucun bruit et aucune étincelle au brûleur de la veilleuse. (Les lumières et la soufflerie fonctionnent, si équipé).	La boîte d'allumage a été verrouillée.	<p>Choisissez l'une des trois méthodes suivantes pour réinitialiser le système:</p> <ol style="list-style-type: none"> 1. Pour réinitialiser la boîte d'allumage lorsqu'elle a été verrouillée, coupez l'alimentation électrique et retirez les piles (s'il y a lieu) du récepteur. 2. Pour réinitialiser le tableau DFC lorsque celui-ci se trouve en mode verrouillé et que la DEL se clignote trois fois à l'aide du bouton marche/arrêt de l'émetteur: <p>Étape 1: Éteignez le système en appuyant sur le bouton marche/arrêt.</p> <p>Étape 2: Après environ 2 secondes, appuyez de nouveau sur le bouton marche/arrêt de la télécommande. Le tableau se réinitialisera et la séquence d'allumage s'enclenchera de nouveau.</p> 3. Pour réinitialiser le tableau lorsque celui-ci se trouve en mode verrouillé et que la DEL clignote trois fois à l'aide du cycle de flamme: <p>Étape 1: En mode de contrôle manuel de la flamme, utilisez la flèche vers le bas pour éteindre la flamme, une situation indiquée par le mot « off » affiché à l'écran de la télécommande.</p> <p>Étape 2: Attendez environ 2 secondes et appuyez sur la flèche vers le haut; la séquence d'allumage se déclenchera.</p>
--	--	---

note:

En position « **off** », appuyez sur le bouton « **on** » de la télécommande. Environ 4 secondes après que le bouton « **on/off** » ait été enfoncé, le tableau d'allumage commencera à produire des étincelles. Au premier essai, le tableau d'allumage formera des étincelles pendant 60 secondes. S'il n'y a pas de correction de flamme, le tableau cessera de former des étincelles et le tableau se verrouillera.

Les produits **Napoléon** sont fabriqués conformément aux normes strictes du Système de Gestion de la Qualité mondialement reconnu ISO 9001 : 2015.

Les produits **Napoléon** sont conçus avec des composants et des matériaux de qualité supérieure, assemblés par des artisans qualifiés qui sont fiers de leur travail. Le brûleur et le montage de la soupape subissent un test de détection de fuite et d'allumage à une station de test de qualité. Une fois assemblé, chaque appareil est soigneusement inspecté par un technicien qualifié avant d'être emballé pour garantie que vous, le client, recevez le produit de qualité dont vous vous attendez de

Napoléon.

Garantie à Vie Limitée du Président des Appareils au Gaz Napoléon

Les matériaux suivants et la fabrication de votre nouveau appareil au gaz **Napoléon** sont garantis contre les défauts tant que vous en êtes le propriétaire. Ceci couvre: la chambre de combustion, l'échangeur de chaleur, le brûleur en acier / inoxydable, les bûches Phazer™ et les braises, les roches, la vitre en céramique (cassure thermique seulement), les pièces plaquées ou contre le ternissement, les composants en porcelaine émaillée et les moules d'extrusion en aluminium.*

Les composants électriques (110V et millivolt) et les pièces soumises à l'usure sont couverts et **Napoléon** fournira gratuitement les pièces de rechange durant la première année de la garantie limitée. Ceci couvre: la soufflerie, les soupapes de gaz, l'interrupteur thermique, les interrupteurs, l'installation électrique, les télécommandes, l'allumeur, les joints d'étanchéité et l'assemblage de la veilleuse.*

Les coûts de main-d'oeuvre relatifs aux réparations garanties sont couverts gratuitement durant la première année. (Les coûts de main-d'oeuvre n'est pas disponible pour l'ensemble de bûches à gaz). Cependant, les travaux de réparation nécessitent l'approbation préalable d'un représentant autorisé de la compagnie. Les coûts de main-d'oeuvre à la charge de **Napoléon** sont basés sur un programme de tarifs prédéterminé et tout travail de réparation doit être accompli par l'entremise d'un représentant autorisé **Napoléon**.

* La fabrication de chaque modèle varie. La garantie s'applique uniquement aux composants disponibles avec votre appareil.

Conditions et Limitations

Napoléon garantit ses produits contre les défauts de fabrication à l'acheteur d'origine seulement. L'enregistrement de la garantie n'est pas nécessaire. Fournissez simplement une preuve d'achat ainsi que la modèle et le numéro de série afin d'effectuer une réclamation de garantie.

Napoléon se réserve le droit de demander à son représentant d'inspecter tous produits ou pièces avant d'honorer toute réclamation. L'achat doit avoir été fait par l'entremise d'un détaillant **Napoléon** autorisé et sous réserve des conditions et limitations suivantes:

La couverture de la garantie débute à partir de la date d'installation originale. Cette garantie du fabricant n'est pas transférable et ne peut être prolongée par aucun de nos représentants. L'appareil au gaz doit être installé par un installateur autorisé qualifié, une agence de service ou fournisseur. L'installation doit être faite conformément aux instructions d'installation incluses avec le produit et à tous les codes d'incendie et de construction locaux et nationaux. Cette garantie limitée ne couvre pas les dommages causés par un mauvais usage, un manque d'entretien, un accident, des altérations, des abus ou de la négligence et l'installation de pièces d'autres fabricants annulera cette garantie. Cette garantie limitée ne couvre pas non plus les égratignures, les bossellements, la corrosion ou la décoloration causés par une chaleur excessive, des produits d'entretien chimiques et abrasifs ou l'écaillage des pièces en porcelaine émaillée, le bris par manipulation des bûches PHAZER™ et des braises.

Cette garantie s'étend à la réparation ou au remplacement des pièces garanties dont les matériaux ou la fabrication sont défectueux à la condition que le produit ait été utilisé conformément aux instructions de fonctionnement et dans des conditions normales. Après la première année, concernant cette Garantie à Vie Limitée du Président, **Napoléon** peut, à sa discrétion, se libérer entièrement de toutes obligations en ce qui concerne cette garantie en remboursant à l'acheteur d'origine le prix de gros de toute pièce garantie qui est défectueuse.

Après la première année, **Napoléon** ne sera pas responsable de l'installation, de la main-d'oeuvre ou autres dépenses relatives à la réinstallation d'une pièce garantie et de telles dépenses ne sont pas couvertes par cette garantie.

Nonobstant toutes les dispositions contenues dans cette Garantie à Vie Limitée du Président, la responsabilité de **Napoléon** sous cette garantie est définie comme ci-dessus et elle ne s'appliquera à aucun dommage accidentel, consécutif ou indirect. Cette garantie définit l'obligation et la responsabilité de **Napoléon** en ce qui concerne l'appareil au gaz **Napoléon** et toute autre garantie énoncée ou implicite en ce qui concerne ce produit, ses composants ou accessoires est exclue.

Napoléon n'endosse ni n'autorise aucun tiers à assumer en son nom, toute autre responsabilité concernant la vente de ce produit.

Napoléon ne sera pas responsable d'une surchauffe, des refoulements, des déversements causés par des conditions environnementales telles que des toits, des bâtiments, la proximité d'arbres, de collines, de montagnes, une ventilation ou des événements inadéquats, une configuration d'évacuation excessive, un apport d'air insuffisant ou des pressions négatives qui peuvent ou non être causés par des systèmes mécaniques tels que les ventilateurs d'évacuation, les fournaies, les sècheuses de linge, etc. Tout dommage causé à l'appareil, à la chambre de combustion, à l'échangeur de chaleur, aux garnitures plaquées ou autres composants par l'eau, les dommages causés par les intempéries, de longues périodes d'humidité, la condensation, des produits chimiques ou produits d'entretien nuisibles ne seront pas la responsabilité de **Napoléon**.

Durant les dix premières années, **Napoléon** remplacera ou réparera les pièces défectueuses qui sont couvertes par la garantie à vie limitée à sa discrétion gratuitement. Après les dix premières années, **Napoléon** fournira les pièces de rechange à 50% du prix de détail courant. Le fabricant peut exiger que les pièces défectueuses ou les produits soient retournés ou que des photos numériques soient fournies pour valider la réclamation. Les produits retournés doivent être expédiés port payé au fabricant pour une inspection en usine. Si un produit est déclaré défectueux, le fabricant le réparera ou le remplacera. Avant d'expédier votre appareil ou les pièces défectueuses, votre détaillant doit obtenir un numéro d'autorisation.

Toute marchandise expédiée à notre usine sans autorisation sera refusée et retournée à l'expéditeur.

Les coûts d'expédition ne sont pas couverts par cette garantie.

Des frais de service supplémentaires peuvent être appliqués si vous cherchez à obtenir des services au titre de la garantie auprès d'un détaillant.

Les indemnités de main-d'oeuvre au titre de la garantie s'appliquent uniquement pour le remplacement d'une pièce garantie.

Les frais de déplacement, de tests de diagnostic, d'expédition et autres frais afférents ne sont pas couverts par cette garantie.

Toutes les spécifications et les conceptions sont sujettes à modifications sans préavis en raison des améliorations constantes apportées au produit. **Napoléon** est une marque de commerce déposée de Wolf Steel Ltée.

NAPOLÉON CÉLÈBRE PLUS DE 40 ANS D'EXISTENCE CONSACRÉS À LA CONCEPTION DE PRODUITS DE CONFORT



7200, Route Transcanadienne, Montréal, Québec H4T 1A3
24 Napoleon Road, Barrie, Ontario, Canada L4M 0G8
214 Bayview Drive, Barrie, Ontario, Canada L4N 4Y8
103 Miller Drive, Crittenden, Kentucky, USA 41030
De Riemsdijk 22, 4004 LC Tiel, Pays-Bas

Téléphone : 1-866-820-8686
napoleon.com