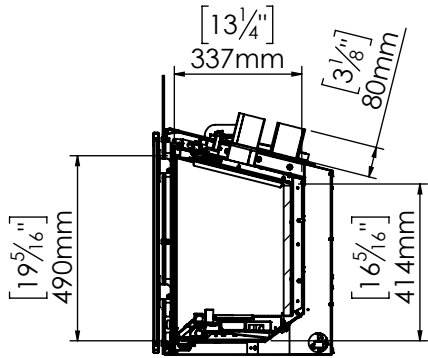


IN 34

Shroud five option



SECTION B-B
SCALE 1 : 20

