

Technical Data Sheet

Green Mtn 80 Blower Kit Installation

Assembly 96-57800

INCLUDED IN KIT:

- (4) 4500-3434 8-32 x 3/8" Machine Screw
- (2) 5964-022 Rear Bracket
- (1) 5968-010 Rear Heatshield
- (1) Blower Assembly

TOOLS REQUIRED:

- Phillips Screwdriver
- 7/16" wrench

Before You Begin: Work on a cool stove.

- 1) Loosen and remove the phillips screws securing the flat rear shield to the stove (Fig. 1).
- 2) Discard the flat shield and spacers, and loosely re-install the phillips screws (Fig. 2).
- 3) Install the blower assy by inserting the screw heads through the "keyholes" in the fan housing and push the housing down the the narrow part of the keyhole (Fig. 3).
- 4) Tighten the screws.
- 5) One at a time, remove the 7/16" hex bolts securing the catalyst access cover and place an "L" bracket under the screw head. The other leg of the bracket should face the outside of the stove. Tighten the bolts (Fig. 4).
- 6) Using four #8-32 phillips screws, attach the rear heatshield over the blower assy and the "L" brackets (Fig. 5).

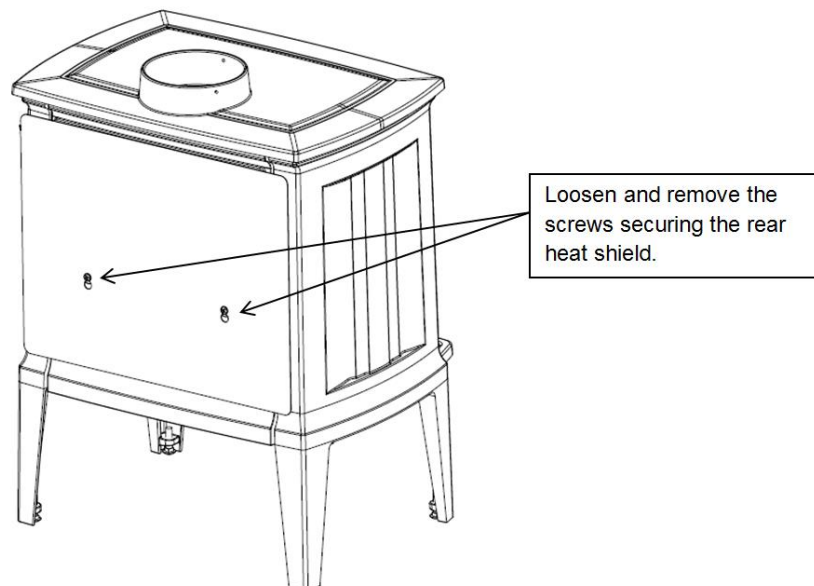
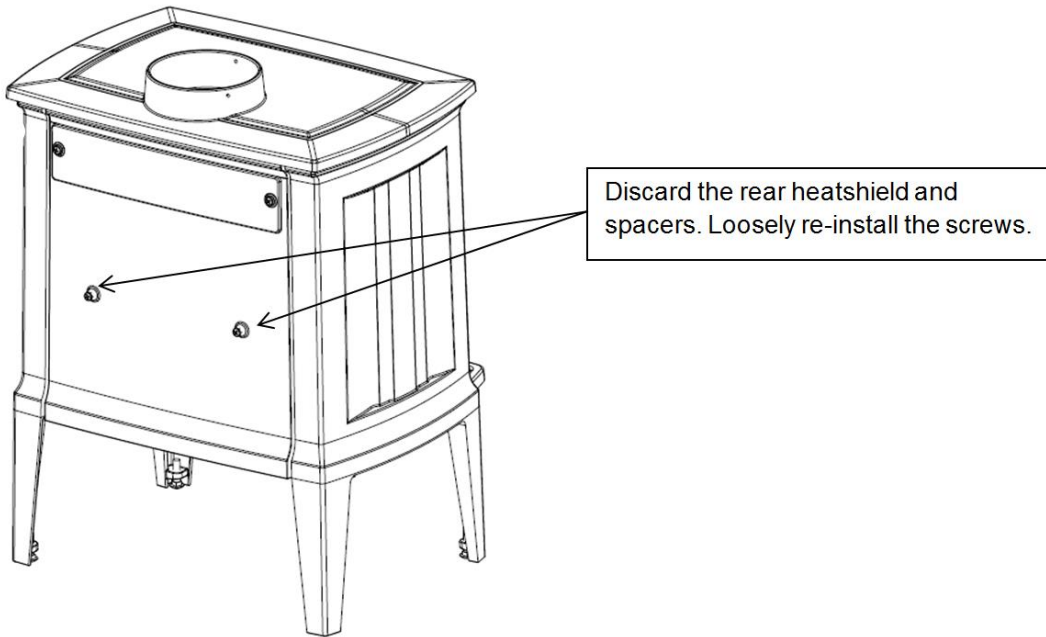
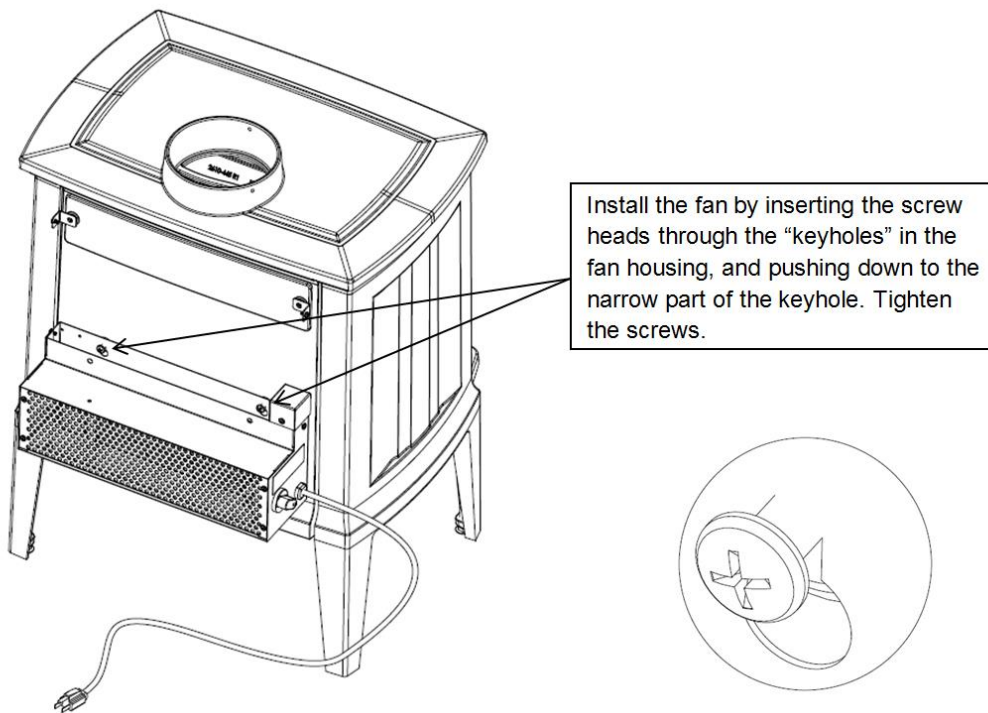
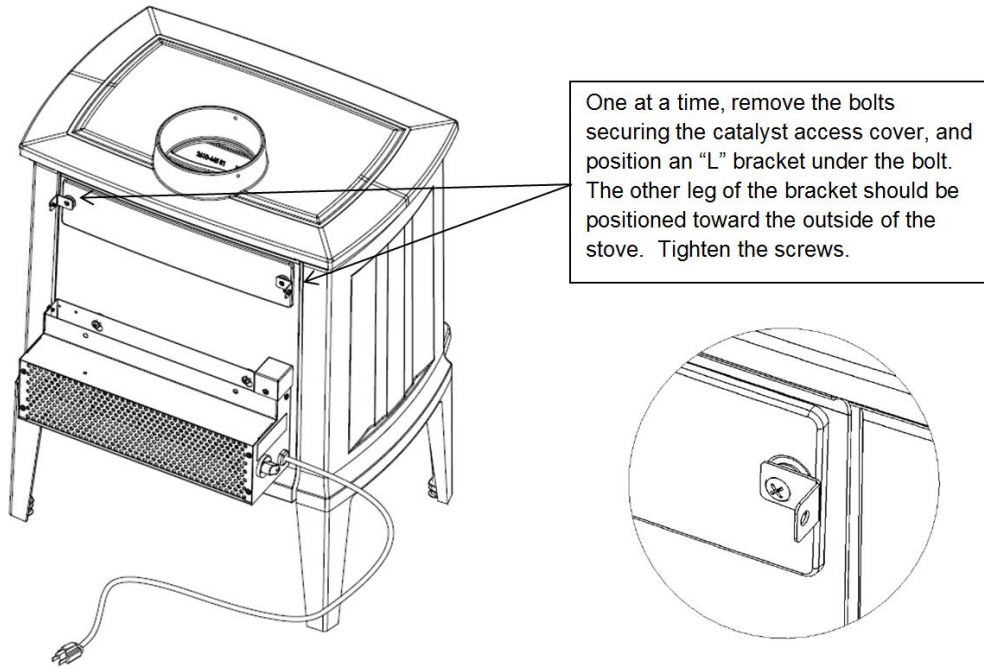
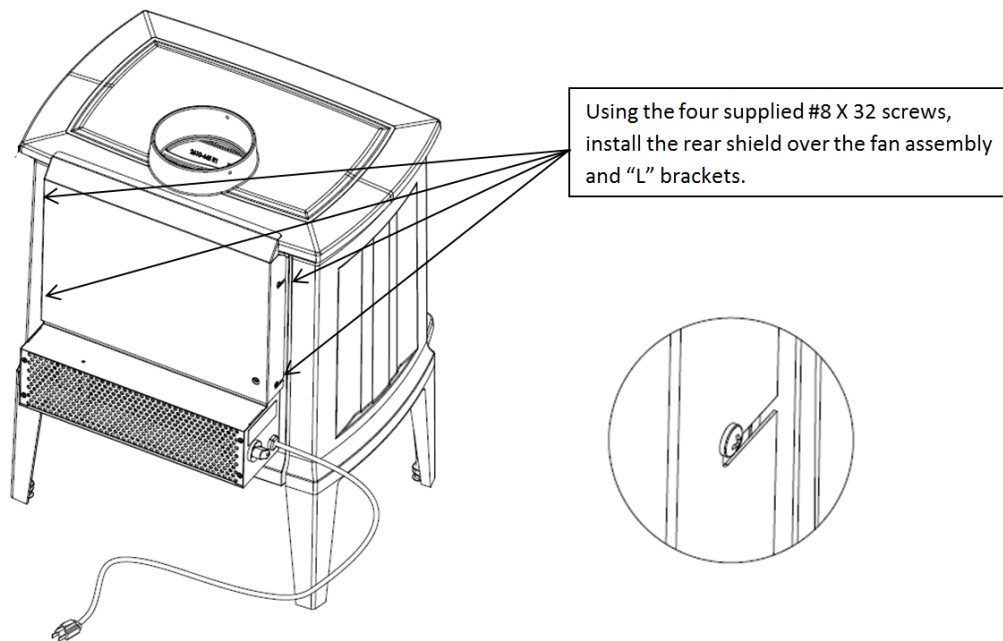


Figure 1

**Figure 2****Figure 3**

**Figure 4****Figure 5**