

The Soapstone Family

Castleton Wood Stove Model 8031

Clean and efficient with extra long burn times.



Efficiency

77%

HHV



HeatLife™

20

Hours



EPA Certified

0.69

g/hr



Features

TruHybrid™ System

A 3-tube secondary combustion system with a fixed baffle ensure a clean burn before the catalyst performs the finishing touches.

Convenient Firebox

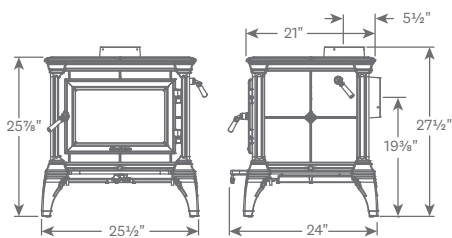
The square shape of the Castleton creates an 19" wide by 17" deep firebox. It is perfect for loading and arranging firewood.

Easy to Use

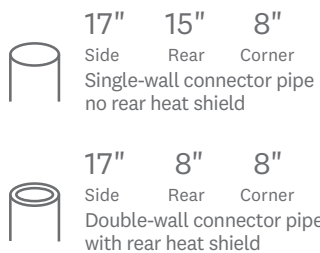
Control the stove with one lever. Turn your stove to high and stoke a big fire. Turn it all the way down to keep a fire burning overnight.



Dimensions

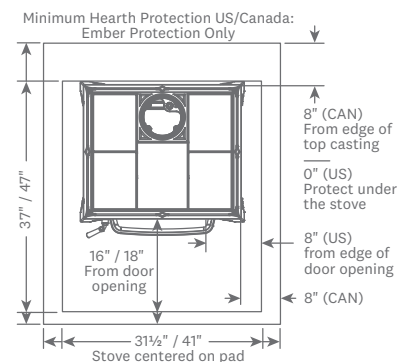


Clearances

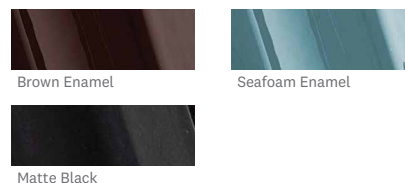


Note: All information is for reference only. Refer to the owner's manual for full specification and installation details.

Hearth Protection



Finish Options



Specifications

HHV Efficiency	77%
HeatLife™*	20 hours
EPA Certified	0.69 g/hr
Heats up to	1,500 sq ft
Firebox Capacity	1.9 cu ft
BTU	Up to 45,000
Maximum Log Length	18"
Flue Exit & Diameter	Top or Rear* - 6"
Weight	475 lbs

Accessories

Rear Heat Shield	90-68300
Convection Blower	90-57210
Outside Air Adapter	90-53300

* Refer to the owner's manual for rear exit requirements.
 * Under the right conditions, you will be able to start a new fire with kindling up to the end of the product's HeatLife™.