

# ODDMF Inline Fans

## MODEL ODDMF-10-1070



### HIGHLIGHTS

- Equipped with cutting edge brushless EC motor
- 10" compact size mixed flow inline fans with various applications
- Built with aluminum housing & jet-engine design double impellers
- Can work under much lower power consumption than average fans

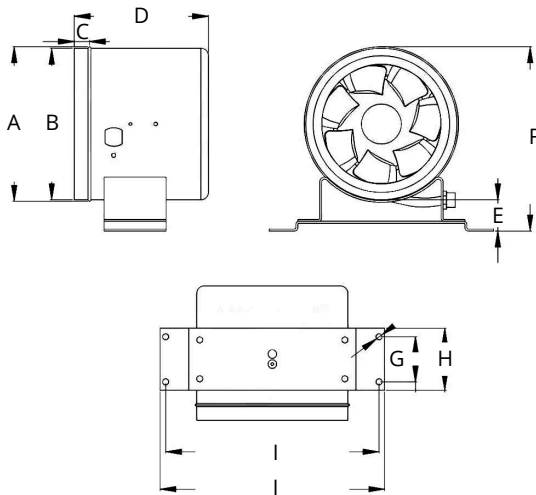
### FEATURES

- ❖ Blade Fire proofing grade UL94V-0
- ❖ Double heavy duty NMB ball bearing
- ❖ 6-poles brushless motor with sine wave
- ❖ Max. IP 68 Waterproof level available
- ❖ Locked motor protection (auto-restart); soft-start motor; Over-voltage lockout protection

### SPECIFICATIONS

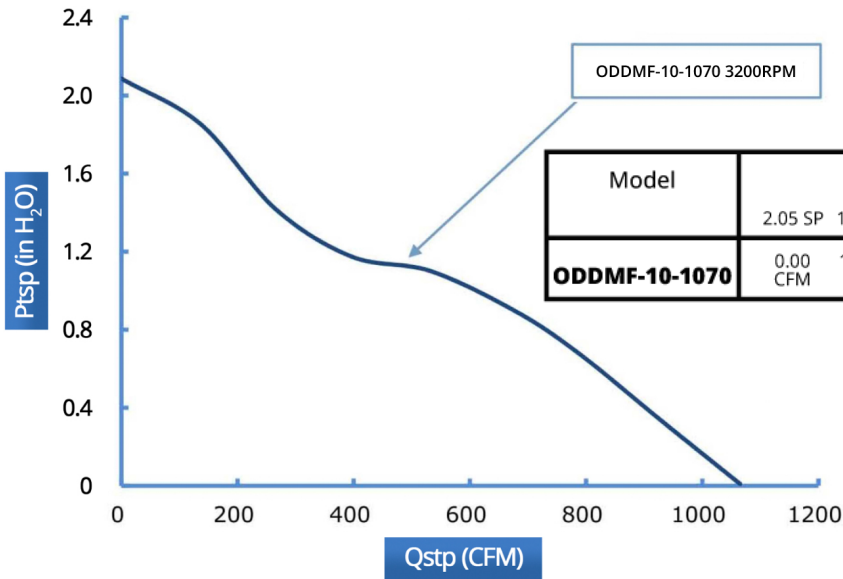
Model	<b>ODDMF-10-1070</b>
Fan Size	10" (250 mm)
Voltage	120V
Max. Speed	3200 RPM
Max. Airflow	1065 CFM
Static Pressure	2.05 in H <sub>2</sub> O / 510 Pa
Noise Level	65 dBA
Max. Power	150W
Motor Type	EC Motor
Impeller Design	Mixed Flow
IP Rating	IP 64 (IP 68 available on custom order)
Fan Weight	6.6 lb

### DIMENSIONS



Model	ODDMF-10-1070
<b>A</b>	10" (254mm)
<b>B</b>	9-13/16" (250mm)
<b>C</b>	1-3/8" (35mm)
<b>D</b>	8-1/4" (210mm)
<b>E</b>	1-1/8" (29mm)
<b>F</b>	10-15/16" (277mm)
<b>G</b>	2-1/4" (57mm)
<b>H</b>	2-3/4" (70mm)
<b>I</b>	11-3/8" (289mm)
<b>J</b>	12-1/8" (308mm)

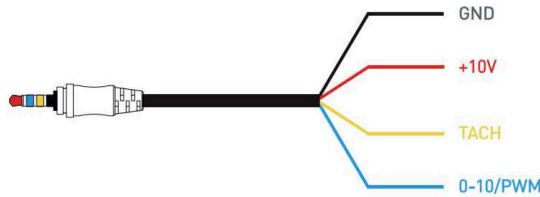
### FAN CURVE



### ACCESSORIES (included)



Portable Speed Controller



DIY 4-Pins Control



Full Speed Plug

### ACCESSORIES (sold separately)



Wall Mounted Controller



Smart Controller with Probe



Adapter to Other 3 Pins Controller



Wireless Remote with Receiver



Adapter to Other RJ45 Controllers



3.5MM TRRS Jack Extension Control Cable

Reference	QTY.	Remarks	Project:
			Location:
			Architect:
			Engineer:
			Contractor:
			Submitted by:
			Date:

ORTECH reserves the right to modify at any time, without notice, any or all of our product's features, designs, components and specifications to meet market changes.