

ODDMF Silencers

MODEL ODDMF-6-350-Q



HIGHLIGHTS

- Stable and free from vibrations
- Offers lower noise level than mixed flow inline fans
- Built with cold-rolled steel housing and aluminum flange
- Silenced version of ODDMF inline fans, constructed with a 6" inline fan

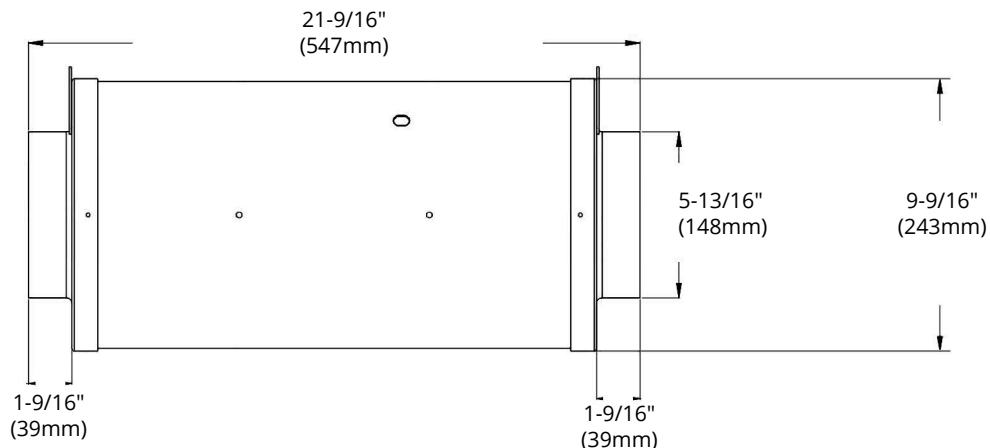
FEATURES

- ❖ ECO fireproof acoustic cotton
- ❖ Double heavy duty NMB ball bearing
- ❖ 6-poles brushless motor with sine wave
- ❖ Customized feature: PWM/Control by 0-10V/ Voltage output/Tacho output
- ❖ Locked motor protection (auto-restart); soft-start motor; Over-voltage lockout protection

SPECIFICATIONS

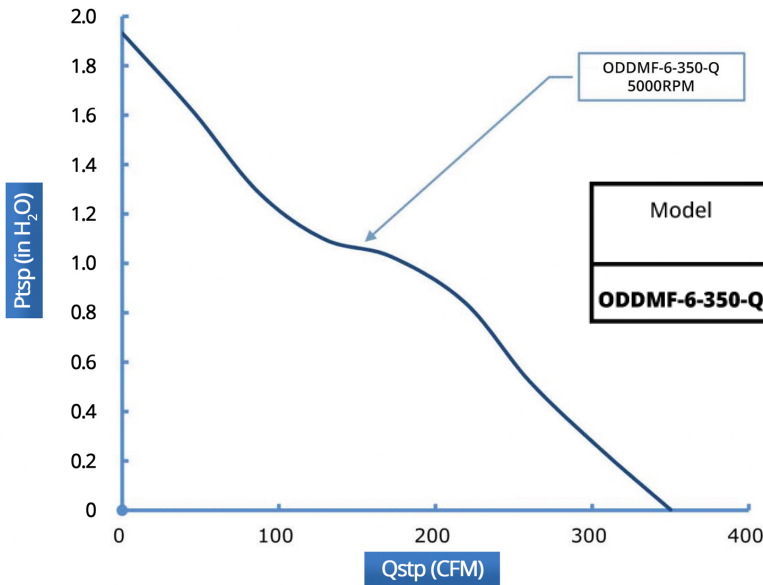
Model	ODDMF-6-350-Q
Fan Size	6" (150 mm)
Voltage	120V
Max. Speed	5000 RPM
Max. Airflow	350 CFM
Static Pressure	2.01 in H ₂ O / 500 Pa
Noise Level	50 dBA
Max. Power	40W
Motor Type	EC Motor
Impeller Design	Mixed Flow
IP Rating	IP 64 (IP 68 available on custom order)
Fan Weight	11 lb

DIMENSIONS



MODEL ODDMF-6-350-Q

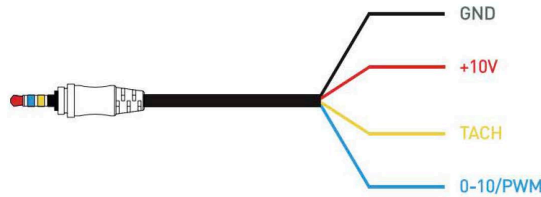
FAN CURVE



ACCESSORIES (included)



Portable Speed Controller



DIY 4-Pins Control



Full Speed Plug

ACCESSORIES (sold separately)



Wall Mounted Controller



Smart Controller with Probe



Adapter to Other 3 Pins Controller



Wireless Remote with Receiver



Adapter to Other RJ45 Controllers



3.5MM TRRS Jack Extension Control Cable

Reference	QTY.	Remarks	Project:
			Location:
			Architect:
			Engineer:
			Contractor:
			Submitted by:
			Date:

ORTECH reserves the right to modify at any time, without notice, any or all of our product's features, designs, components and specifications to meet market changes.