

# ODDMF Inline Fans

## MODEL ODDMF-5-170



### HIGHLIGHTS

- Equipped with cutting edge brushless EC motor
- 5" compact size mixed flow inline fans with various applications
- Built with aluminum housing & jet-engine design double impellers
- Can work under much lower power consumption than average fans

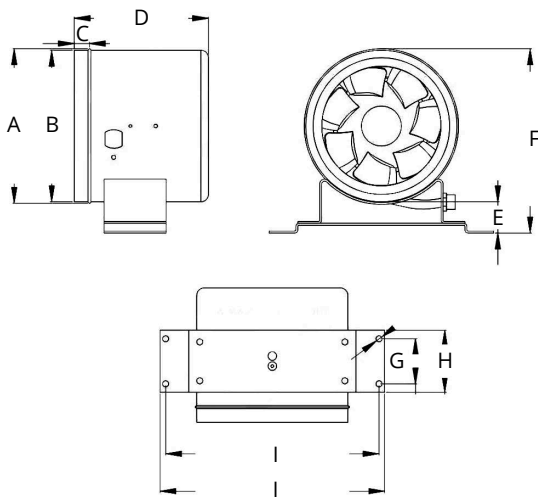
### FEATURES

- ❖ Blade Fire proofing grade UL94V-0
- ❖ 4-poles brushless motor with hall IC
- ❖ Double heavy duty NMB ball bearing
- ❖ Supporting both 115V and 230V AC
- ❖ Max. IP 68 Waterproof level available
- ❖ Locked motor protection (auto-restart); soft-start motor

### SPECIFICATIONS

Model	<b>ODDMF-5-170</b>
Fan Size	5" (125 mm)
Voltage	120V
Max. Speed	5000 RPM
Max. Airflow	166 CFM
Static Pressure	1.46 in H <sub>2</sub> O / 363 Pa
Noise Level	54.4 dBA
Max. Power	20W
Motor Type	EC Motor
Impeller Design	Mixed Flow
IP Rating	IP 64 (IP 68 available on custom order)
Fan Weight	2.4 lb

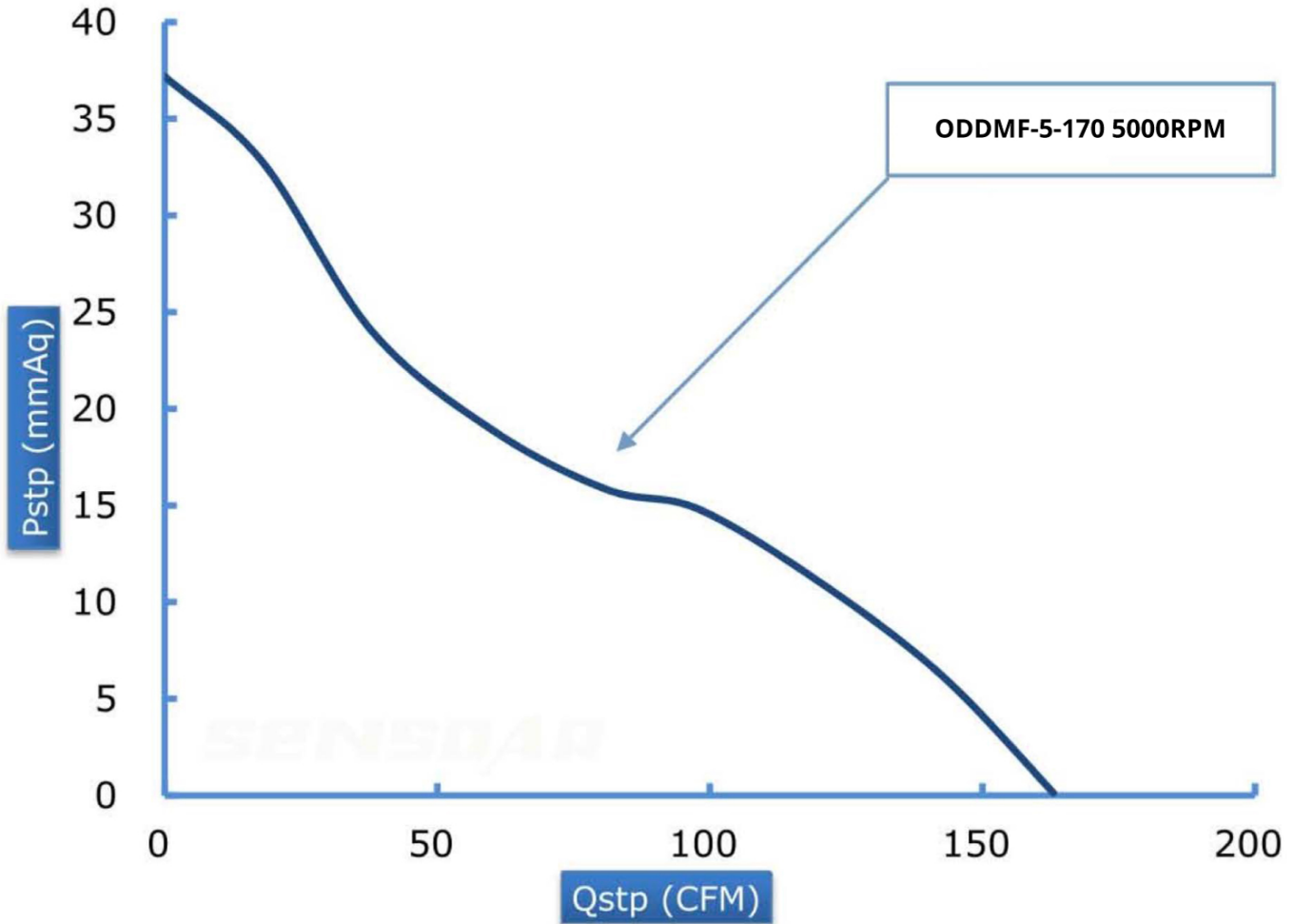
### DIMENSIONS



Model	ODDMF-5-170
<b>A</b>	4-15/16" (126mm)
<b>B</b>	4-7/8" (124mm)
<b>C</b>	1/2" (12mm)
<b>D</b>	4-5/16" (110mm)
<b>E</b>	1" (26mm)
<b>F</b>	5-15/16" (151mm)
<b>G</b>	1-7/16" (37mm)
<b>H</b>	2" (51mm)
<b>I</b>	6-7/8" (175mm)
<b>J</b>	7-1/4" (184mm)

**MODEL ODDMF-5-170**

**FAN CURVE**



Model	Static Pressure (SP)								
	1.46 SP	1.29 SP	0.95 SP	0.74 SP	0.62 SP	0.58 SP	0.43 SP	0.24 SP	0.00 SP
<b>ODDMF-5-170</b>	0.00 CFM	17.93 CFM	37.93 CFM	60.08 CFM	81.12 CFM	98.10 CFM	120.89 CFM	142.70 CFM	163.00 CFM

Reference	QTY.	Remarks	Project:
			Location:
			Architect:
			Engineer:
			Contractor:
			Submitted by:
			Date:

ORTECH reserves the right to modify at any time, without notice, any or all of our product's features, designs, components and specifications to meet market changes.