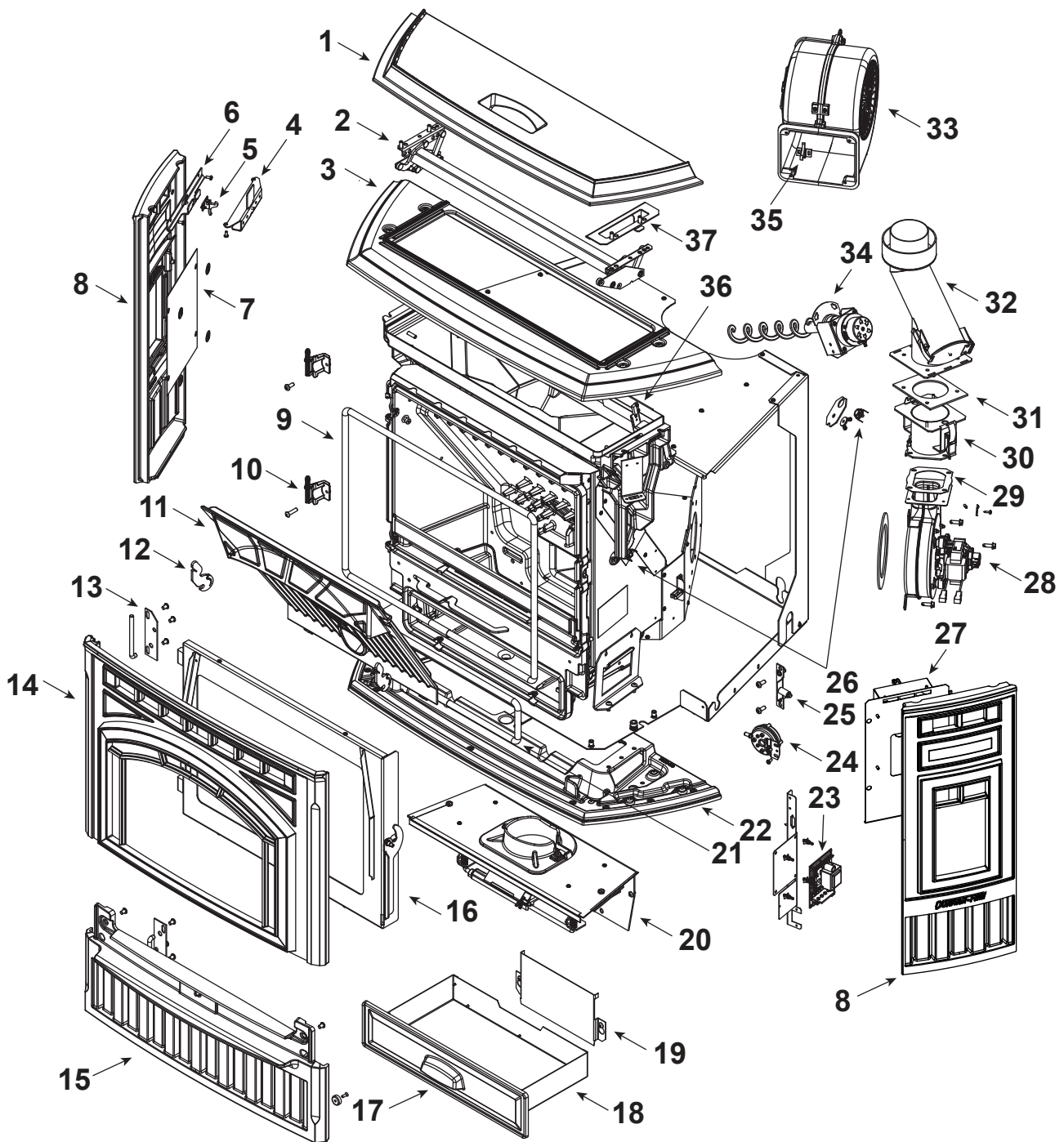


Color	SKU No.	Mfg. Dates
Matte Black	TREKKERI-MBK	06/18 -
Porcelain Mahogany	TREKKERI-PMH	06/18 -
Sienna Bronze	TREKKERI-CSB	06/18 - 05/19
Twilight	TREKKERI-TWL	03/19 -



Part number list on following pages.

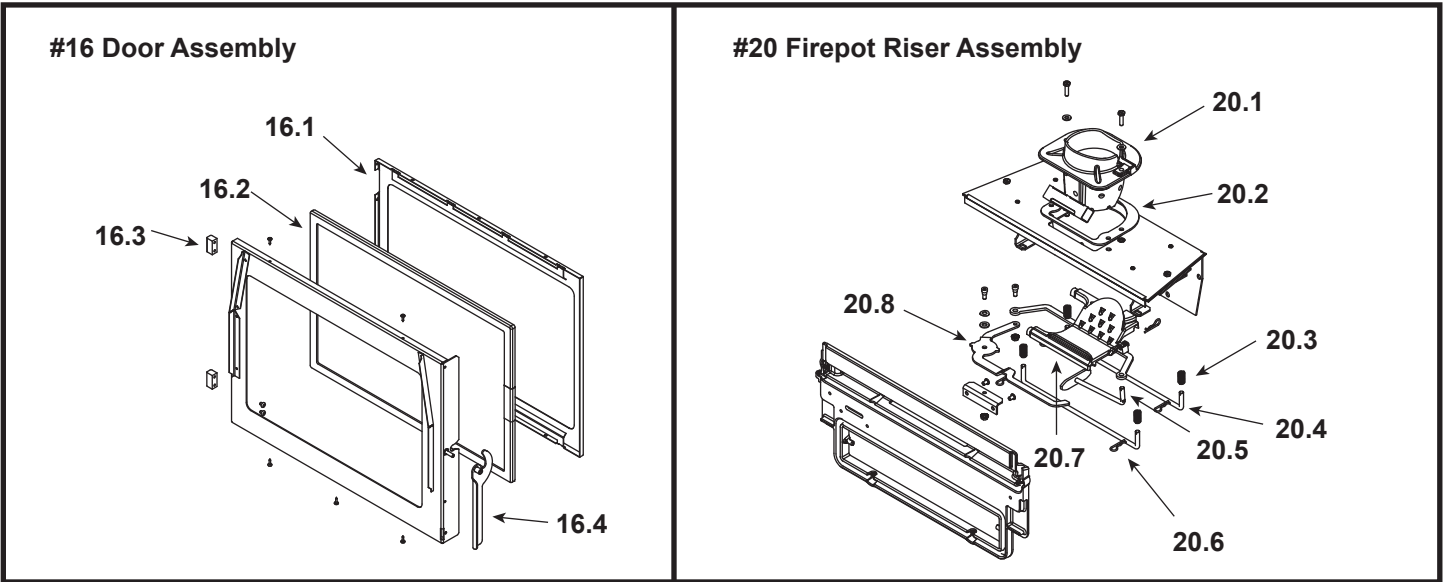
IMPORTANT: THIS IS DATED INFORMATION. Parts must be ordered from a dealer or distributor. **Hearth and Home Technologies does not sell directly to consumers.** Provide model number and serial number when requesting service parts from your dealer or distributor.



**Stocked
at Depot**

ITEM	DESCRIPTION	COMMENTS	PART NUMBER	
1	Hopper Lid	Matte Black	7036-107MBK	
		Porcelain Mahogany	7036-107PMH	
		Sienna Bronze	7036-107CSB	
		Twilight	7036-107TWL	
	Gasket, Extruded - Field Cut to Size	10 FT	7000-320/10	
2	Top Hinge Assembly		SRV7036-006	
3	Top	Matte Black	7036-101MBK	
		Porcelain Mahogany	7036-101PMH	
		Sienna Bronze	7036-101CSB	
		Twilight	7036-101TWL	
4	Catch Clip		SRV7036-146	
5	Elbow Catch		7000-393	
6	Bracket, Catch		SRV7036-145	
7	Backer, Side Window		SRV414-0280	
8	Side	Matte Black	7036-103MBK	
		Porcelain Mahogany	7036-103PMH	
		Sienna Bronze	7036-103CSB	
		Twilight	7036-103TWL	
9	Gasket, Door Rope		SRV7034-177	Y
10	Hinge Male		SRV7034-138	
11	Baffle		SRV7034-263	Y
12	Latch, Baffle		SRV7034-149	
13	Hinge Pin Retainer		SRV7036-112	
14	Front Upper	Matte Black	7082-105MBK	
		Porcelain Mahogany	7082-105PMH	
		Sienna Bronze	7082-105CSB	
		Twilight	7082-105TWL	
15	Front Lower	Matte Black	7082-107MBK	
		Porcelain Mahogany	7082-107PMH	
		Sienna Bronze	7082-107CSB	
		Twilight	7082-107TWL	

Additional service part numbers appear on following page.



IMPORTANT: THIS IS DATED INFORMATION. Parts must be ordered from a dealer or distributor. **Hearth and Home Technologies does not sell directly to consumers.** Provide model number and serial number when requesting service parts from your dealer or distributor.



Stocked at Depot

ITEM	DESCRIPTION	COMMENTS	PART NUMBER	
16	Door Assembly		SRV7080-015	
16.1	Glass Retainer		SRV7034-136	
16.2	Glass Assembly	21" W x 14" H	SRV7034-007	Y
16.3	Hinge, Female		SRV450-2910	
16.4	Door Latch Assembly		SRV413-5200	
	Gasket, Channel 3 Mm X 32 - Field Cut to Size	10 Ft	7000-377/10	Y
17	Ash Pan Door		SRV7034-133	
18	Ash Pan Assembly		SRV7034-069	
	Twin Ball catch		SRV7000-532	Y
19	Intake Shield		SRV7034-224	Y
20	Firepot Riser Assembly (Does Not Include Floor Lever Assembly)		SRV7080-082	
20.1	Firepot Assembly		SRV7080-083	Y
20.2	Gasket, Firepot		SRV7034-190	Y
20.3	Spring	Pkg of 4	7000-513/4	Y
20.4	Rail, Auto-Clean		SRV7034-152	Y
20.5	Plow Weldment, Auto-Clean		SRV7034-024	Y
20.6	Hitch Pin Clip 3/32	Pkg of 10	7000-374/10	Y
20.7	Firepot Bottom		SRV7034-153	Y
20.8	Firepot Floor Lever Assembly (Not Included w/Firepot Riser Assembly)		SRV7080-018	Y
21	Gasket, Rope, Ash Door		SRV7034-178	
22	Bottom	Matte Black	7036-109MBK	
		Sienna Bronze	7036-109CSB	
		Porcelain Mahogany	7036-109PMH	
		Twilight	7036-109TWL	

Additional service part numbers appear on following page.

Beginning Manufacturing Date: June 2018

Ending Manufacturing Date: Active

IMPORTANT: THIS IS DATED INFORMATION. Parts must be ordered from a dealer or distributor. **Hearth and Home Technologies does not sell directly to consumers.** Provide model number and serial number when requesting service parts from your dealer or distributor.



**Stocked
at Depot**

ITEM	DESCRIPTION	COMMENTS	PART NUMBER	
23	Control Board** (Order SRV7080-053 if wired thermostat upgrade has been installed)	Pre #HF3166001	SRV7080-052	Y
		Post #HF3166001	SRV7080-053	Y
	Wire Harness		SRV7080-129	Y
	Fuse 5A, Slow IEC	Pkg of 10	7000-490/10	Y
	Wire Harness, Hall Effect		SRV7080-130	Y
24	Vacuum Switch		SRV7000-531	Y
	Vacuum Hose	3 FT cut ro fit	SRV7000-373	Y
25	Latch Bracket Assembly		SRV7034-049	Y
26	Snap Disc, L250, Manual Reset (#3)	Qty 2 req	SRV230-1290	Y
27	Dial Control Panel Door Assembly	Post #HF3166001	SRV7082-037	
	Dial Control w/Wire Harness	Post #HF3166001	SRV7080-036	Y
	User Interface (Pre #HF3166001)	No longer available	SRV7080-178	
	Battery 3V CR2477 (For User Interface Pre #HF2155520)	Pkg of 2	SRV7000-869	Y
	Extension Cable USB	Pre #HF3166001	SRV7080-171	Y
	Bluetooth Key	Pre #HF3166001	SRV7080-156	Y
28	Combustion Blower		SRV7080-106	Y
	Gasket, Blower, Combustion (Between ...)	...Housing & Stove	SRV7080-117	Y
	Gasket, Motor, Blower, Combustion (Between ...)	...Housing & Motor	SRV7080-107	Y
	Gasket, Exhaust		SRV7034-109	
29	Gasket, Flue Collar		SRV7080-135	
30	Flue Collar Assembly		SRV7082-013	
31	Gasket, Flue Adpator Flange		SRV7036-180	Y
32	Top Vent Adapter		TPVNT-4	
33	Convection Blower		SRV7080-105	Y
34	Feed Assembly		SRV7080-010	Y
	Feed Spring Assembly (Only)		SRV7001-046	Y
	Gasket, Feed Motor		SRV7034-144	
	Feed Motor		812-4421	Y
35	Elbow Catch		7000-393	
36	Magnetic Switch		SRV7000-375	Y
37	Bracket, Hopper Magnet		SRV7036-149	
	Component Pack Mahogany	Matte Black	No longer available	SRV7082-043
			Post #HF3166001	SRV7082-047
			No longer available	SRV7082-044
		Porcelain	No longer available	SRV7082-045
			Post #HF3166001	SRV7082-048
		Twilight	No longer available	SRV7082-046
		Post #HF3166001	SRV7082-049	
	Cleanout Tool		SRV414-1140	Y

**Fuse for the control board can be sourced locally, not a warranty item. Specs are 250V, 5A fuse, 20mm long x 5mm dia.

Additional service part numbers appear on following page.

IMPORTANT: THIS IS DATED INFORMATION. Parts must be ordered from a dealer or distributor. **Hearth and Home Technologies does not sell directly to consumers.** Provide model number and serial number when requesting service parts from your dealer or distributor.



**Stocked
at Depot**

ITEM	DESCRIPTION	COMMENTS	PART NUMBER	
	Power Cord		3-20-51578	Y
	Paint Touch-Up	Matte Black	3-42-19905	
		Sienna Bronze	TOUCHUP-CSB	
		Porcelain Mahogany	1-00-0014	
		Twilight	0001285	
	Heating Element Assembly 18" (Loop Igniter)	Pkg of 1	SRV7000-647	Y
		Pkg of 10	SRV7000-647/10	Y
	Wing Thumb Screw 8-32 X 1/2	Pkg of 24	7000-223/24	Y
	Wire Clip		7000-400/10	Y
Accessories				
	Adjustable Hearth Support		ADJSPT-12	Y
	Damper, 3 Inch - Tall Vertical Installs Only		PEL-DAMP3	Y
	Damper, 4 Inch - Tall Vertical Installs Only		PEL-DAMP4	
	Exhaust Probe		SRV7000-669	
	Log Set (2 Pc)	Sold as set only	LOGS-60-AE-B	Y
	Outside Air Kit		OAK-3	
	Top Vent Adapter		TPVNT-4	
	Flue Adapter (Required if TPVNT-4 is removed)		LKADP	
	Surround, Std, Panel, For Cast Trim		SP-MTVS-CST	
	Component Pack		SRV7036-041	
	Surround, Std, Panel, w/Gold Trim	No longer available	SP-MTVS-GD	
	Component Pack		SRV7036-042	
	Trim, Panel Set, Gold	No longer available	SRV250-4660	
	Surround, Std, Panel, Nickel Black		SP-MTVS-NB	
	Component Pack	No longer available	SRV7036-042	
	Trim Set, Black Nickel		7019-027	
	Bracket for Trim Installation		SRV7022-503G	
	Trim Cast	Matte Black	811-0930	
		Sienna Bronze	TR-CAST-CSB	
		Porcelain Mahogany	811-0960	
		Twilight	TR-CAST-TWL	
	Footer, Left	Matte Black	414-7090MBK	
		Sienna Bronze	414-7090CSB	
		Porcelain Mahogany	414-7090PMH	
		Twilight	414-7090TWL	
	Footer, Right	Matte Black	414-7100MBK	
		Sienna Bronze	414-7100CSB	
		Porcelain Mahogany	414-7100PMH	
		Twilight	414-7100TWL	

Additional service part numbers appear on following page.

IMPORTANT: THIS IS DATED INFORMATION. Parts must be ordered from a dealer or distributor. **Hearth and Home Technologies does not sell directly to consumers.** Provide model number and serial number when requesting service parts from your dealer or distributor.



Stocked
at Depot

ITEM	DESCRIPTION	COMMENTS	PART NUMBER	
Accessories				
	Header	Matte Black	414-7110MBK	
		Sienna Bronze	414-7110CSB	
		Porcelain Mahogany	414-7110PMH	
		Twilight	414-7110TWL	
	Trim Leg, Left	Matte Black	414-7120MBK	
		Sienna Bronze	414-7120CSB	
		Porcelain Mahogany	414-7120PMH	
		Twilight	414-7120TWL	
	Trim Leg, Right	Matte Black	414-7130MBK	
		Sienna Bronze	414-7130CSB	
		Porcelain Mahogany	414-7130PMH	
		Twilight	414-7130TWL	
	Wired Thermostat Kit		SRV7082-098	Y
Fasteners				
	Wing Thumb Screw 8-32 X 1/2	Pkg of 24	7000-223/24	Y
	Bolt, Grd 2 Tap 3/8 x 4		223-0140	
	Nut, Wing 1/4-20	Pkg of 12	226-0110/12	Y
	Screw, Sheet Metal #8 X 1/2 S-Grip	Pkg of 40	12460/40	Y
	Washer, Sae	Pkg of 25	227-0080/25	Y
	Washer, Fl 1/4 Black	Pkg of 10	1202473-10	
		Pkg of 50	1202473PK	
	Screw, Hwh Ms 1/4-20 X 3/4 Ns	Pkg of 25	220-0080/25	Y
	Nut, Ser Flange Small 1/4-20	Pkg of 24	226-0130/24	Y
		Pkg of 100	3-30-8024-100	Y
	Push Retainer, 5/16	Pkg of 100	3-31-94807-100	Y
	Screw 1/4-20x5/8 Phillips Pan Head	Pkg of 24	7000-398/24	Y
	Screw Phillips Button Head 1/4-20x3/8	Pkg of 24	7000-401/24	Y
	Screw 8 - 32x3/8 HWH BK	Pkg of 40	SRV060-883/40	
	Screw Flat Head Philips 8-32 X 1/2	Pkg of 12	220-0490/12	Y
	Magnet Round		SRV7000-140	Y
	Hurricane Screw	Pkg of 40	SRV2005-861/40	
	Screw, Pan Head Phillips, 10/32 X 1/4	Pkg of 24	229-1230/24	Y
	Bolt, Shoulder, 5/16x1/4-20	Pkg of 20	223-0170/20	Y
	Screw, Pan Head Phillips 8-32 X 3/4	Pkg of 24	229-1100/24	Y
	Washer, Spring 5/16	Pkg of 4	7000-572/4	Y
	Screw, Ph, Phl Tc 8-32 X 1/2	Pkg of 25	220-0030/25	Y
	Screw, Pan Head Phillips 8-32 X 3/8	Pkg of 40	225-0500/40	Y