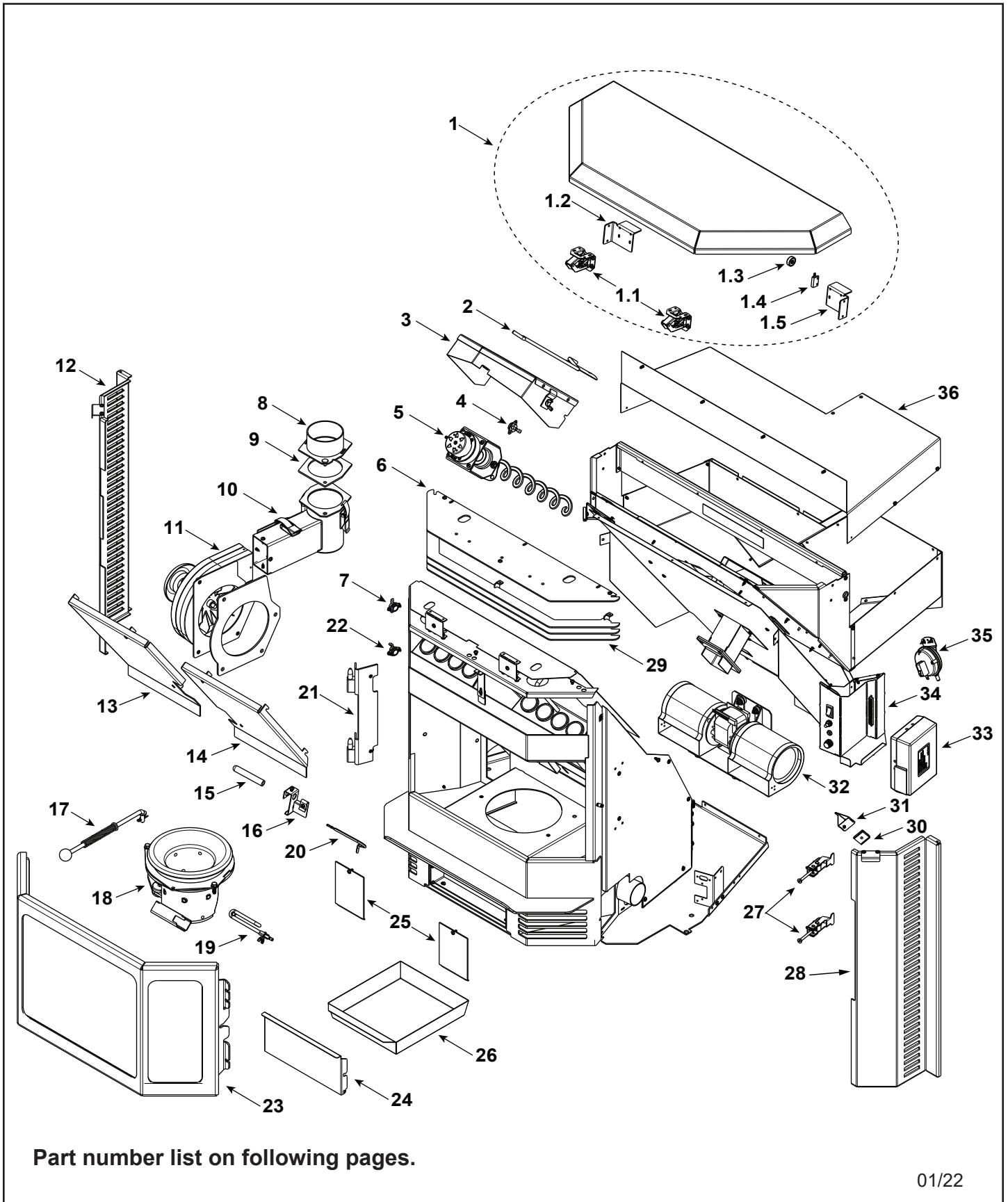


Classic Bay Pellet Insert



Part number list on following pages.

IMPORTANT: THIS IS DATED INFORMATION. Parts must be ordered from a dealer or distributor. **Hearth and Home Technologies does not sell directly to consumers.** Provide model number and serial number when requesting service parts from your dealer or distributor.



Stocked at Depot

ITEM	DESCRIPTION	COMMENTS	PART NUMBER	
1	Hopper Lid Assembly		SRV7027-040	
1.1	Hinge, Hopper Lid		812-4220	
1.2	Mount, Hopper Lid Support, Right		410-7410	
1.3	Magnet Round		SRV7000-140	Y
1.4	Hopper Switch		SRV7000-375	Y
1.5	Lid Support Mount w/Sensor		7027-278	
	Screw Flat Head Philips, 8-32 x 1/2	Pkg of 12	220-0490/12	Y
	Screw, 8-32 x 1/4	Pkg of 40	225-0240/40	Y
	Wire Harness Hopper Switch		SRV414-1220	Y
	Mount, Hopper Lid Support, Top		410-7560	
2	Feed Adjustment Assembly		510-5450	
	Thumbscrew, 1/4-20 X 3/4	Pkg of 10	844-5070	
3	Cover, Feed Motor, Top		410-7920	
4	Snap Disc, Manual Reset (#3)		SRV230-1290	Y
<p>#5 Feed Motor Assembly</p>				
5	Feed Motor Assembly		812-3690	Y
5.1	Screw, 8-32 X 3/8 PH	Pkg of 40	225-0500/40	Y
5.2	Feed Motor		812-4421	Y
5.3	Collar, Set, 7/8		229-0520	
5.4	Feed Bearing		SRV7000-598	Y
5.5	Mount, Feed Motor		410-7172	
5.6	Gasket, Feed Motor		SRV240-0731	Y
5.7	Feed Spring Assembly		SRV7027-024	Y
5.8	Screw, Set 5/16-18 X 1/4	Pkg of 25	225-0550/25	Y
6	Extension, Heat Shield, Top		410-7860	Y
	Heat Exchange Repair Template		SRV7014-172	
	Heat Exchange Repair Kit		812-4970	
7	Snap Disc, 200 Open/40 D, (#2)		SRV230-0900	Y
8	Exhaust Adapter Assembly		510-5330	
9	Gasket, Flue Adapter		SRV240-0850	Y
10	Exhaust Transition Assembly		510-5340	
	Gasket, Cleanout Door		SRV240-0840	
	Latch, Draw	Qty 2 req	229-0230	
	Screw, Pan Head Philips 8-32 x 3/8	Pkg of 40	225-0500/40	Y

Additional service part numbers appear on following page.

Beginning Manufacturing Date: May 2019
Ending Manufacturing Date: Active

IMPORTANT: THIS IS DATED INFORMATION. Parts must be ordered from a dealer or distributor. **Hearth and Home Technologies does not sell directly to consumers.** Provide model number and serial number when requesting service parts from your dealer or distributor.



**Stocked
at Depot**

ITEM	DESCRIPTION	COMMENTS	PART NUMBER	
11	Combustion Exhaust Blower,80 CFM		812-3381	Y
	Gasket, Exhaust Combustion Blower, between...	...Motor & Housing	812-4710	Y
		Motor & Housing Pkg of 12	SRV240-0980M	Y
		...Housing & Stove	SRV240-0812	Y
		Motor & Housing Pkg of 12	SRV240-0812/12	Y
	Blower, Combustion		7000-537	Y
	Silicone, Hi-Temp, 11 oz.		812-2020	Y
12	Curtain, Side, Left		812-4310	
	Screw, 8-32 X 3/8 PH	Pkg of 40	225-0500/40	Y
	Latch, Magnet		SRV229-0631	Y
13	Baffle, Left		812-4200	Y
14	Baffle, Right		812-4210	Y
15	Thermocouple Cover	Pkg of 1	812-1322	Y
		Pkg of 10	812-4920	Y
16	Thermocouple Bracket W/Set Screw		812-3171	Y
<div style="display: flex; justify-content: space-around; align-items: flex-start;"> <div style="text-align: center;"> <p>#17 Rod/Linkage EZ Clean</p> </div> <div style="text-align: center;"> <p>#18 Firepot Assembly & #19 Heating Element</p> </div> </div>				
17	Rod/Linkage Ez Clean		812-4140	
17.1	Knob, Ash Dump Control Rod		832-3020	
17.2	Spring, Firepot		200-2050	
17.3	Washer, 5/16	Pkg of 10	7000-579/10	Y
		Pkg of 50	3-30-0205-50	Y
18	Firepot Assembly		812-3351	Y
	Nut, Lock 1/4-20	Pkg of 25	226-0090/25	Y
		Pkg of 50	3-30-8021-50	Y
	Bushing, Firepot		410-8320	Y
	Floor, Firepot		414-0290	Y
	Gasket, Firepot		SRV510-0530	Y
19	Heating Element Assembly 18" (Loop Igniter)	Pkg of 1	SRV7000-462	Y
		Pkg of 10	SRV7000-462/10	Y
	Wing Thumb Screw 8-32 X 1/2	Pkg of 24	7000-223/24	Y
	Igniter Wire (5Ft) & (4) Ceramic Nuts		812-4520	Y
20	Thermocouple		812-0210	Y

Additional service part numbers appear on following page.

Beginning Manufacturing Date: May 2019
Ending Manufacturing Date: Active

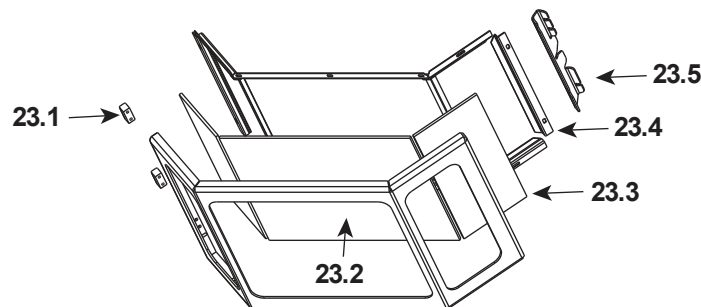
IMPORTANT: THIS IS DATED INFORMATION. Parts must be ordered from a dealer or distributor. **Hearth and Home Technologies does not sell directly to consumers.** Provide model number and serial number when requesting service parts from your dealer or distributor.



**Stocked
at Depot**

ITEM	DESCRIPTION	COMMENTS	PART NUMBER	
21	Mount, Door Hinge		410-7290	
	Hinge, Door, Male		SRV450-2810	
	Screw, Pan Head Philips 8-32 X 3/8	Pkg of 40	21799A/40	Y
22	Snap Disc (#1) Convection Blower		SRV7000-829	Y

#23 Door Assembly



23	Door Assembly	Black	DR-CB12-MBK-B	
23.1	Hinge, Female		SRV450-2910	
23.2	Glass Assembly, Center, 13-7/8 in. W x 11 in. H		SRV510-5400	Y
23.3	Glass Assembly, Side, 5-1/8 in. W x 11 in. H	Qty: 1	SRV510-5410	Y
23.4	Glass Retainer Assembly		SRV510-5460	Y
	Nut, Keps Lock, 8-32	Pkg of 40	226-0060/40	Y
23.5	Bracket, Door Latch		SRV410-4912	
	Door Rope, 7/8", Field Cut to Size	8 Ft	842-2350	Y
	Gasket, Glass, Field Cut to Size	10 Ft	833-0660	
	Silicone, Hi Temp, 11oz		812-2020	
24	Panel, Front Access	Ash Pan Door	812-4290	
25	Door, Cleanout, Exhaust Plenum		410-7910	
26	Ash Pan		812-4130	
27	Latch, Draw		229-0640	Y
28	Curtain, Side, Right		812-4320	
	Screw, 8-32 X 3/8 PH	Pkg of 40	225-0500/40	Y
	Latch, Magnet		SRV229-0631	
29	Grille, Louver	Black	LVGRL-CB12-BK-B	
	Grille, Bar, Bottom		410-8330	
	Screw, 8-32 X 3/8 PH	Pkg of 40	225-0500/40	Y
30	Latch, Magnet	Qty 2 req	SRV229-0631	
31	Bracket, Magnet Mount	Qty 2 req	410-7760	

Additional service part numbers appear on following page.

IMPORTANT: THIS IS DATED INFORMATION. Parts must be ordered from a dealer or distributor. **Hearth and Home Technologies does not sell directly to consumers.** Provide model number and serial number when requesting service parts from your dealer or distributor.



Stocked at Depot

ITEM	DESCRIPTION	COMMENTS	PART NUMBER	Stocked at Depot
32	Convection Blower, 150 CFM		812-4900	Y
	Nut, Keps Lock, 8-32	Pkg of 40	226-0060/40	Y
	Screw, Pan Head Philips 8-32 X 3/4	Pkg of 24	229-1100/24	Y
	Blower, Convection		7000-537	Y
33	Control Board 3 Speed		SRV7000-704	Y
	Fuse, 8 Amp, Control Box	Pkg of 10	812-3780/10	Y
34	Wire Harness		SRV7000-155	Y
	Fuse, 7 Amp, Junction Box	Pkg of 10	812-0380/10	Y
	Reset Button Assembly		SRV7000-040	
	Block, Thermostat Term Dv		SRV230-0690	
	Igniter Extension		7000-218	
	Call Light Bulb		812-0760	Y
	Call Light Lens Cover		812-0750	Y
	Call Light, Fluorescent		SRV7000-122	
	Fuse Holder		812-0401	Y
35	Vacuum Switch		SRV7000-531	Y
	Hose, Vacuum, 5/32 Id, Field Cut to Size	3 Ft	SRV240-0450	Y
	Hose, Barb Assembly		SRV229-0920	
36	Hopper Top		410-7730	
	Component Pack		SRV7127-057	
	Cleanout Tool		SRV414-1140	Y
	Harness, Thermostat Wire		SRV230-0810	
	Paint Touch-Up		3-42-19905	
	Power Cord		812-1180	Y

Additional service part numbers appear on following page.

IMPORTANT: THIS IS DATED INFORMATION. Parts must be ordered from a dealer or distributor. **Hearth and Home Technologies does not sell directly to consumers.** Provide model number and serial number when requesting service parts from your dealer or distributor.



**Stocked
at Depot**

ITEM	DESCRIPTION	COMMENTS	PART NUMBER	
OPTIONAL ACCESSORIES				
	Adjustable Hearth Support - 12 in. X 50 in., 2-10 in. H		ADJSPT-12	
	Damper, 3 Inch - Tall Vertical Installs Only		PEL-DAMP3	Y
	Damper, 4 Inch - Tall Vertical Installs Only		PEL-DAMP4	
	Floor Protector		811-0730	
	Log Set Assembly		811-0592	
	Hose, Alum Flex, 2 Inch X 3 Ft	3 Ft	SRV200-0860	
	Panel Set, Large, W/Nickel Trim	33 in x 50 in.	SP-CB1213350-NL	
	Bracket, -L-, Trim	Pkg of 2	832-0840	
	Logo, Quadra-Fire	Pkg of 10	7000-649/10	
	Trim, Panel Set, Ots, Nickel		510-5220	
	Panel Set, Large, W/Black Nickel Trim	33 in x 50 in.	SP-CB1213350-NB	
	Bracket, -L-, Trim	Pkg of 2	832-0840	
	Logo, Quadra-Fire	Pkg of 10	7000-649/10	
	Trim, Panel Set, Ots, Nickel		7019-027	
	Panel Set, Small, W/Nickel Trim	30 in. x 40 in.	SP-CB1213040-NL	
	Bracket, -L-, Trim	Pkg of 2	832-0840	
	Logo, Quadra-Fire	Pkg of 10	7000-649/10	
	Trim, Panel Set, Std, Nickel		510-5210	
	Panel Set, Small, W/Black Nickel Trim	30 in. x 40 in.	SP-CB1213040-NB	
	Bracket, -L-, Trim	Pkg of 2	832-0840	
	Logo, Quadra-Fire	Pkg of 10	7000-649/10	
	Trim, Panel Set, Std, Nickel		7019-026	
	Handle, Pullrod		PULLROD-HNDL	
	Shroud, Rear		811-0680	
	Gasket, Vent Adaptor		SRV240-0860	
	Smart-Batt II	No longer available	SMARTBATT-B	
	Smart-Stat II		SMART-STAT-HHT	
	Thermostat, Programmable		PROG-STAT	
	Top Vent Adapter, 3"		811-0660	
	Top Vent Adapter, 4"		811-0670	
	Top Vent Kit, Rear Shroud		811-0650	
	Gasket, Vent Adaptor		SRV240-0860	
	Vent Adapter, 3-4"		811-0720	

Additional service part numbers appear on following page.

