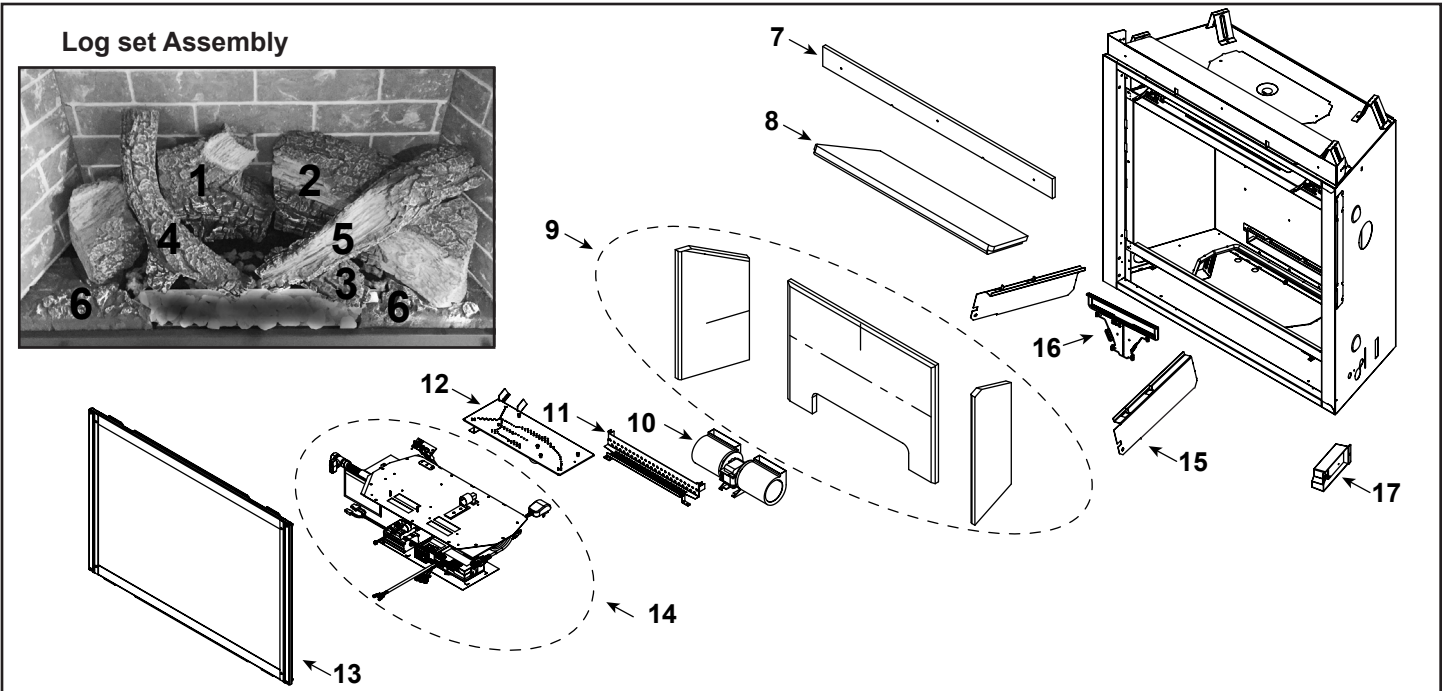


No one builds a better fire

Beginning Manufacturing Date: July 2020
Ending Manufacturing Date: Active



IMPORTANT: THIS IS DATED INFORMATION. Parts must be ordered from a dealer or distributor. **Hearth and Home Technologies does not sell directly to consumers.** Provide model number and serial number when requesting service parts from your dealer or distributor.



Stocked at Depot

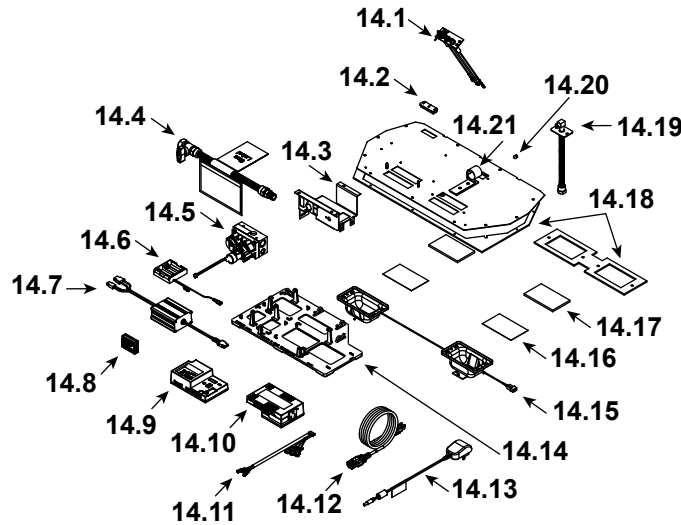
ITEM	DESCRIPTION	COMMENTS	PART NUMBER	
	Log Set Assembly	Hearth Sold Separately	LOGS-SL3X-HD	Y
1	Rear Left Log	Individual logs Pre LC6218666 no longer available, must order complete assembly	SRV2370-737	
2	Rear Right Log		SRV2370-738	
3	Burner Log		SRV2371-739	
4	Top Left Log		SRV2372-741	
5	Top Right Log		SRV2371-740	
6	Left and Right Hearth		SRVHEARTH-SL3X	
7	Non-combustible Board		2113-401	
8	Top Refractory	SL-3X-IFT-S	SRV2370-703	
		SL-3X-IFT-TG	SRV2633-703	
		SL-3X-IFT-G	SRV2370-715	
9	Refractory Assembly	SL-3X-IFT-S	SRV2370-077	
		SL-3X-IFT-TG	SRV2633-074	
		SL-3X-IFT-G	SRV2633-080	
10	Blower		GFK-160A	
11	Ember Bed		2372-108	
12	Burner Assembly		2370-007	Y
13	Glass Door Assembly		GLA-3504TRS	Y
14	Valve Assembly		See following Page	
15	Lower Glass Brackets (Set, Left & Right)	SL-3X-IFT-G	2637-121	
16	Glass Bracket Assembly (Rear upper, Rear Lower, Upper (2))	SL-3X-IFT-G	SRV2633-123	
17	Junction Box		SRV4021-013	Y

Additional service part numbers appear on following page.

No one builds a better fire

Beginning Manufacturing Date: July 2020
Ending Manufacturing Date: Active

#14 Valve Assembly



IMPORTANT: THIS IS DATED INFORMATION. Parts must be ordered from a dealer or distributor. **Hearth and Home Technologies does not sell directly to consumers.** Provide model number and serial number when requesting service parts from your dealer or distributor.



Stocked at Depot

ITEM	DESCRIPTION	COMMENTS	PART NUMBER	
14.1	Pilot Assembly NG		2106-169	Y
	Pilot Assembly Propane		2106-170	Y
	Pilot Tube		SRV485-301	Y
14.2	3-Hole Grommet		SRV2118-420	Y
14.3	Valve Bracket		2118-104	
14.4	Flex Ball Valve Assembly		SRV302-320	Y
14.5	Valve NG		SRV2166-302	Y
	Valve Propane		2166-303	Y
14.6	Battery Pack **		SRV2326-134	Y
14.7	LED Controller		2166-336	Y
14.8	Module, RF FCC		SRV2326-120	Y
14.9	Module, IFT Control		SRV2326-130	Y
14.10	Module, B Type AC		SRV2326-150	Y
14.11	Harness, IFT 6 Pin Wiring		SRV2326-132	Y
14.12	Cable, B Type AC Module		SRV2326-152	Y
14.13	Transformer, 6V Wall		SRV2326-131	Y
14.14	Component Tray, Plastic		2279-180	
14.15	2 Gang Wire Harness		2166-316	Y
14.16	Kapton Lens	Qty 2 req	2166-184	Y
14.17	LED Glass	Qty 2 req	2166-163	Y
14.18	Ember LED Gasket and Valve Plate Gasket	Must order Gasket Assembly 2118-080		
14.19	Bulkhead w/Flex Tube		SRV7000-156	Y
14.20	Orifice NG (#44)		582-844	Y
	Orifice Propane (#55)		582-855	Y
14.21	Air Shutter		2118-121	Y

**Fuse for battery pack can be sourced locally, not a warranty item. Specs are 250v, 3A fuse, 3/4" long

Additional service parts on following page.

