

IMPORTANT: THIS IS DATED INFORMATION. Parts must be ordered from a dealer or distributor. **Hearth and Home Technologies does not sell directly to consumers.** Provide model number and serial number when requesting service parts from your dealer or distributor.



Stocked at Depot

| ITEM | DESCRIPTION | COMMENTS | PART NUMBER | |
|------|-----------------------------|-----------|-------------|---|
| 1 | 180°F Limit Switch Assembly | | 2670-015 | Y |
| 2 | Exhaust Restrictor | Qty 2 req | 2670-226 | |
| 3 | 90 Degree Burner Tube, 48" | | SRV2670-162 | Y |
| 4 | Shield, Pilot | NG | 2670-135 | |
| | | Propane | 2670-173 | |
| 5 | Tray, 48" Media | | 2670-194 | |
| 6 | Glass Assembly | Qty 2 req | GLA2670-019 | Y |
| 7 | Transition, Left Glass | Qty 2 req | 2670-155 | Y |
| 8 | Glass Retainer Bar | Qty 2 req | 2670-042 | |
| 9 | Safe Surface Glass, 48" | Qty 2 req | GLASS-SS-48 | |
| 10 | Retainer, Cool Glass | 3 Sets | 2670-157 | |
| 11 | Plate, Access Hole Cover | | 2670-124 | |
| 12 | Transition, Right Glass | Qty 2 req | 2670-156 | Y |
| 13 | Tray, Cool Touch Media | Qty 2 req | 2670-134 | |
| 14 | Damper Assembly | | 2670-069 | |
| | | | 2670-178 | |

No one builds a better fire

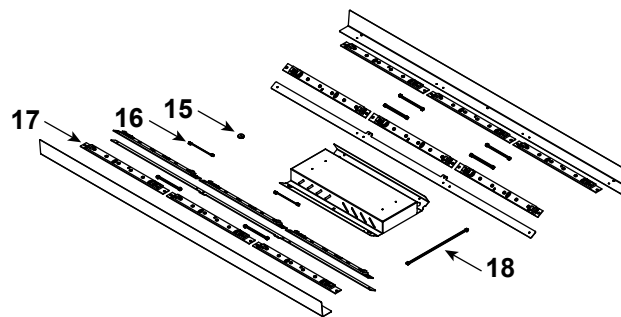
IMPORTANT: THIS IS DATED INFORMATION. Parts must be ordered from a dealer or distributor. **Hearth and Home Technologies does not sell directly to consumers.** Provide model number and serial number when requesting service parts from your dealer or distributor.



**Stocked
at Depot**

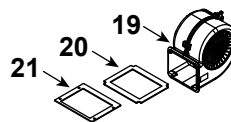
| ITEM | DESCRIPTION | COMMENTS | PART NUMBER | |
|------|-------------|----------|-------------|--|
|------|-------------|----------|-------------|--|

LED Light Components



| | | | | |
|----|---|------------|----------|---|
| 15 | Grommet with 1/8" Opening | | 2003-300 | |
| 16 | LED Wire Harness (between LED strips, 4 inch) | Qty 8 req | 2300-753 | Y |
| 17 | LED Board and Strip Assembly | Qty 12 req | 2310-062 | Y |
| 18 | LED Wire Harness | 10 inch | 2670-753 | Y |

#Fan Assembly



| | | | | |
|----|---|-----------|-------------|---|
| 19 | Fan Assembly | Qty 2 req | SRV2670-170 | Y |
| 20 | Combustion Fan Gasket | Qty 2 req | 2670-186 | |
| 21 | Convection Fan Gasket | Qty 2 req | 2670-080 | |
| | Outside Air Kit | | 2670-085 | |
| | Collar Gasket | | 2670-163 | |
| | Bracket Assembly (includes 4 refractory clips & 6 refractory spacers) | | 2670-245 | |
| | Touch-up Paint | | TUP-GBK-12 | |

Additional service part numbers on following page.

No one builds a better fire

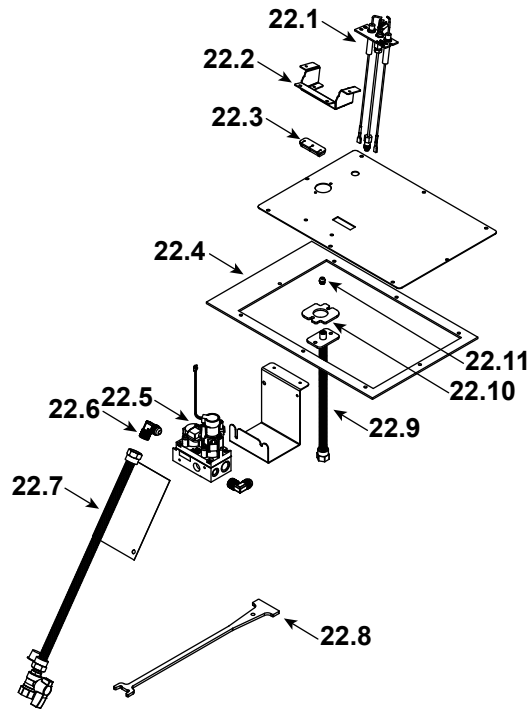
IMPORTANT: THIS IS DATED INFORMATION. Parts must be ordered from a dealer or distributor. **Hearth and Home Technologies does not sell directly to consumers.** Provide model number and serial number when requesting service parts from your dealer or distributor.



**Stocked
at Depot**

| ITEM | DESCRIPTION | COMMENTS | PART NUMBER | |
|------|-------------|----------|-------------|--|
|------|-------------|----------|-------------|--|

#22 Valve Assembly



| | | | | |
|-------|----------------------------|--------------|-------------|---|
| 22.1 | Pilot Assembly | NG | 2406-012 | Y |
| | | Propane | 2090-013 | Y |
| 22.2 | Pilot Bracket | | 2670-116 | |
| 22.3 | 3-Hole Grommet | | SRV2118-420 | |
| 22.4 | Gasket, Valve Plate | | 2670-159 | |
| 22.5 | Valve | NG | SRV2166-302 | Y |
| | | Propane | 2166-303 | Y |
| 22.6 | Elbow | Qty 2 req | SRV4021-045 | Y |
| 22.7 | Flexline, 18" w/Ball Valve | | 2098-320a | Y |
| 22.8 | Tool, Gas Valve | | 2670-270 | |
| 22.9 | Buklhead, Flexible | | 4021-512 | Y |
| 22.10 | Burner Neck Gasket | | 2025-407 | Y |
| 22.11 | Orifice | NG, #30 | 582-830 | Y |
| | | Propane, #48 | SRV582-848 | Y |

Additional service part numbers on following page.

No one builds a better fire

IMPORTANT: THIS IS DATED INFORMATION. Parts must be ordered from a dealer or distributor. **Hearth and Home Technologies does not sell directly to consumers.** Provide model number and serial number when requesting service parts from your dealer or distributor.



**Stocked
at Depot**

| ITEM | DESCRIPTION | COMMENTS | PART NUMBER | |
|---|---|---|---------------|---|
| | 150°F Limit Switch, Assembly | | 2670-014 | Y |
| | Component Tray | | 2670-139 | |
| | Touch-Up Paint | | TUP-GBK-12 | Y |
| | Wire Harness, Temp Disk | A complete wiring schematic is located in the Installation Manual | 2670-031 | Y |
| | Harness, Wire Extension (42") | | 2670-032 | Y |
| | Rheostat Assembly, 110 VAC | | 2670-171 | Y |
| | Pressure Switch | | 2670-198 | Y |
| | Wire Harness, PACM to Rheostat | | 2670-201 | Y |
| | Wire Harness, PACM to Convection Fan | | 2670-219 | Y |
| | LED 40 Watt Power Supply | | 2326-113 | Y |
| | Harness, IFT 6 Pin Wiring | | SRV2326-132 | Y |
| | Cable, B Type AC Module | | SRV2326-152 | Y |
| | 36" Male/Female Wire Assembly | | 2326-185 | Y |
| | Junction Box | | SRV2326-013 | Y |
| | Transformer, 6 Volt Wall (NG Only) | | SRV2326-131 | Y |
| | Transformer, 6 Volt Wall (Propane Only) | | 2326-191 | Y |
| | RC150 Remote Assembly | | SRV2564-100 | Y |
| | RC450 Remote Assembly | | SRV2564-110 | Y |
| | Module, RF FCC | | SRV2564-120 | Y |
| | Module, Control | | SRV2564-130 | Y |
| | AUX Module, PACM | | SRV2564-155 | Y |
| | Reset Switch (Propane Only) | | 2206-298 | Y |
| | Wire Assembly, Reset Switch (Propane Only, Qty 2 req) | | SRV34937 | Y |
| Required to Complete Accessories | | | | |
| | Refractory Kit | Black/Marble | BGK-MRB-PR-ST | |
| | | Fluted Glass | BGK-FL-PR-ST | |
| | | Architectural Stone | ACT-PR-ST | |
| | | Stone Column | COL-PR-ST | |
| | Crushed Glass Media (5lb bag) | Copper | MEDIA-CP | |
| | | Crystal | MEDIA-CY | |
| | | Graphite | MEDIA-GT | |
| | | Smoked Embers | MEDIA-SM | |
| | Stone Media | | STONES-48 | |
| Conversion Kits | | | | |
| | Conversion Kit NG | | NGK-PRIMOII | Y |
| | Conversion Kit Propane | | LPK-PRIMOII | Y |
| | Pilot Orifice, NG | | SRV593-528 | Y |
| | Pilot Orifice, Propane | | SRV593-527 | Y |
| | Regulator, NG | With Stepper Motor | NGK-DXV-50 | Y |
| | Regulator, Propane | With Stepper Motor | SRVLPK-DXV-50 | Y |