

Part number list on following page.

No one builds a better fire

Beginning Manufacturing Date: Mar 2018  
Ending Manufacturing Date: Active

**IMPORTANT: THIS IS DATED INFORMATION.** Parts must be ordered from a dealer or distributor. **Hearth and Home Technologies does not sell directly to consumers.** Provide model number and serial number when requesting service parts from your dealer or distributor.

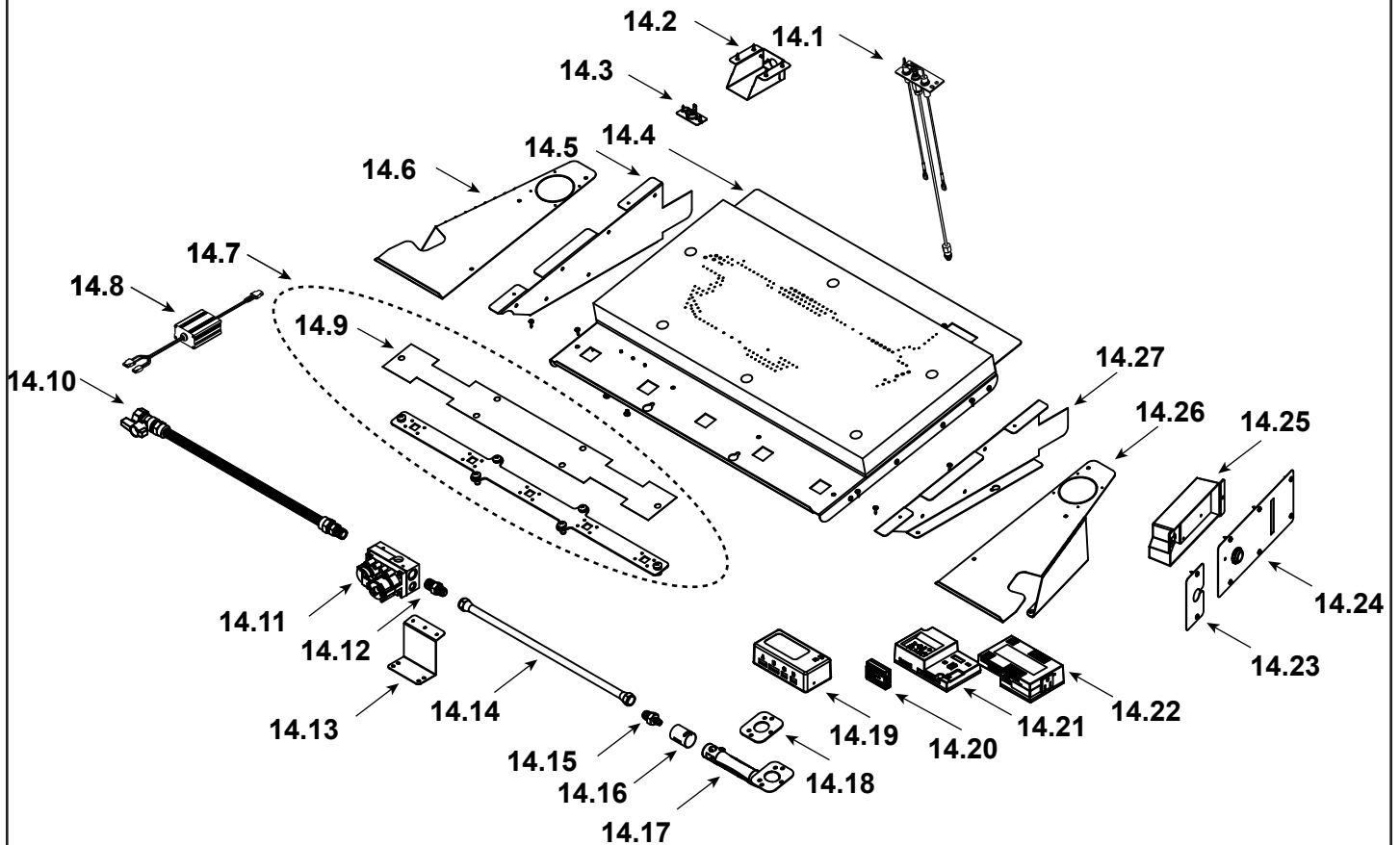


**Stocked  
at Depot**

ITEM	DESCRIPTION	COMMENTS	PART NUMBER	
1	Cover Plate, Top		SRV4095-138	
2	Insulation, Box		SRV4095-311	
3	Flue Cover		SRV4095-137	
<p><b>#4 Insulation Kit</b></p>				
4	Insulation Kit		SRV4095-033	
4.1	Insulation, Top		SRV4095-305	
4.2	Baffle Assembly		SRV4095-009	
4.3	Insulation, Side	Qty 2 req	SRV4095-309	
4.4	Insulation, Front		SRV4095-307	
4.5	Insulation, Bottom		SRV4095-306	
4.6	Insulation, Back		SRV4095-308	
5	Insulation Bracket, Front Upper		SRV4095-134	
6	Lower Insulation Bracket	Qty 4 req	SRV4095-132	
7	Smoke Shield Assembly		SRV4095-019	
7.1	Smoke Shield Wing, Left		SRV4095-163	
7.2	Smoke Shield		SRV4095-164	
7.3	Smoke Shield Wing, Right		SRV4095-162	
8	Cable Clamp, Adjustable	Qty 9 req	SRV4095-318	
9	Cover Plate, OA	Qty 2 req	SRV4095-185	
10	Collar Box/Flu Assembly		SRV4095-007	
11	Insulation, Collar		SRV4095-316	
12	Cover Plate, Rear		SRV4095-152	
13	Insulation Bracket, Upper Rear		SRV4095-135	
	Grate Assembly		SRV4096-014	
	Firescreen Assembly	Qty 2 req	29958	Y
	Screen Rod	Qty 2 req	SRV28404	Y

Additional service part numbers appear on following page.

## #14 Valve Assembly



IMPORTANT: THIS IS DATED INFORMATION. Parts must be ordered from a dealer or distributor. **Hearth and Home Technologies does not sell directly to consumers.** Provide model number and serial number when requesting service parts from your dealer or distributor.



Stocked at Depot

ITEM	DESCRIPTION	Comments	Part Number	
14.1	Pilot Assembly, NG		SRV4018-065	Y
14.2	Light Channel		SRV4095-151	
14.3	Limit Switch Assembly		SRV4095-013	Y
14.4	Burner Top Assembly		SRV4096-022	Y

Additional service part numbers appear on following page.

IMPORTANT: THIS IS DATED INFORMATION. Parts must be ordered from a dealer or distributor. **Hearth and Home Technologies does not sell directly to consumers.** Provide model number and serial number when requesting service parts from your dealer or distributor.



**Stocked  
at Depot**

ITEM	DESCRIPTION	Comments	Part Number	
14.5	Burner Pan Leg, Left		SRV4095-167	
14.6	Refractory Wing, Left		SRV4095-344	
14.7	LED Light Assembly		SRV4096-024	Y
14.8	Module, LED		2166-336	
14.9	Kapton		SRV4096-347	Y
14.10	Flex Ball Valve		SRV302-320	Y
14.11	Fixed Valve, NG		SRV593-500	Y
14.12	Male Connector	Pkg of 5	303-315/5	Y
14.13	Bracket, Valve		SRV4095-168	
14.14	Gas Line, Flex 16"		SRV4121-006	Y
14.15	Flare Injector, .161 (#20) NG		SRV4095-346	Y
	Flare Injector, .098 (#40) Propane		SRV4095-345	Y
14.16	Air Shutter		SRV20305955	Y
14.17	Venturi w/Screw, No Air Shutter		SRV69D1026	Y
14.18	Venturi Gasket		SRV45D0032	Y
14.19	Blower Speed Control		SRV4095-317	Y
14.20	Module, RF FCC		SRV2326-120	Y
14.21	Module, IFT Control		SRV2326-130	Y
14.22	Module, B Type AC		SRV2326-150	Y
14.23	Cover Plate, Accessory Cable		SRV4095-144	
14.24	Cover Plate, Jbox		SRV4095-143	
14.25	Junction Box (Plastic)		SRV4021-013	Y
14.26	Refractory Wing, Right		SRV4095-343	
14.27	Burner Pan Leg, Right		SRV4095-166	
	RC400Remote		SRV2326-110	Y
	Transformer, 6 Volt		SRV2326-131	Y
	Reset Switch Wire		SRV2326-135	Y
	Cable, B Type AC Module		SRV2326-152	Y
	Harness, IFT 6 PIN Wiring		SRV4095-366	Y
	High Limit Switch Wire Assembly		SRV4095-368	Y
	Switch Harness		SRV4095-374	Y
	AUX Power Harness		SRV4095-375	Y
	Mineral Wool		050-721	
	Teco Sil		SRV700-490	
	Wire Harness, Cap to Appliance	10 Ft	TV-WH10	Y
		25 Ft	TV-WH25	Y
		50 Ft	TV-WH50	Y

Additional service part numbers appear on following page.

No one builds a better fire

Beginning Manufacturing Date: Mar 2018  
Ending Manufacturing Date: Active

IMPORTANT: THIS IS DATED INFORMATION. Parts must be ordered from a dealer or distributor. **Hearth and Home Technologies does not sell directly to consumers.** Provide model number and serial number when requesting service parts from your dealer or distributor.



Stocked at Depot

ITEM	DESCRIPTION	COMMENTS	PART NUMBER	
<b>#15 Cap Assembly</b>				
15	Cap Assembly		SRV4095-040	
15.1	Capacitor Bracket		SRV4095-234	
15.2	Cover Plate, Cable		SRV4095-238	
15.3	Loop Clamp, 3/8"		SRV4095-315	
15.4	Fan Cover Assembly		SRV4095-044	
15.5	Blower		SRV4095-300	Y
15.6	Fan Mount Plate Assembly		SRV4095-048	
15.7	Trim Assembly		SRV4095-042	
15.8	Collar Assembly		SRV4095-043	
15.9	Damper Blade Assembly		SRV4095-035	
15.10	Base Plate Assembly		SRV4095-046	
15.11	Swedge Plate Assembly		SRV4095-062	
15.12	Wall Shield Assembly		SRV4095-060	
15.13	Heat Shield		SRV4033-123	
15.14	Firestop Spacer		SRV4095-239	
15.15	Slip Section, Female		SRV4095-235	

Additional service part numbers appear on following page.

No one builds a better fire

Beginning Manufacturing Date: Mar 2018  
Ending Manufacturing Date: Active

IMPORTANT: THIS IS DATED INFORMATION. Parts must be ordered from a dealer or distributor. **Hearth and Home Technologies does not sell directly to consumers.** Provide model number and serial number when requesting service parts from your dealer or distributor.



**Stocked  
at Depot**

ITEM	DESCRIPTION	COMMENTS	PART NUMBER	
<b>#16 Log Assembly</b>		<b>Hearth Refractory</b>		
16	Log Assembly		SRV4096-427	
16.1	Back Log		SRV4096-428	
16.2	Left Middle Log, Upper		SRV4096-429	
16.3	Right Middle Log		SRV4096-430	
16.4	Left Middle Log, Lower		SRV4096-431	
16.5	Right Front Log		SRV4096-432	
16.6	Left Top Log		SRV4096-433	
16.7	Center Top Log		SRV4096-434	
16.8	Right Top Log		SRV4096-435	
16.9	Left Wing Hearth Refractory(Included w/Log Assembly)		SRV4095-422	
16.10	Right Wing Hearth Refractory(Included w/Log Assembly)		SRV4095-423	
17	Hearth Kit (Includes Left, Center, & Front)		PHX42-EMBED-KIT	
	Refractory Assembly, Traditional		SRV4096-449	
	Glass Refractory, Assembly		SRV4096-320	
	Glass Bracket Kit		SRV4096-325	
	Bag Assembly, Touch Up Kit		2372-099	
	Lava Rock	2 lbs. Bag	4021-296	
<b>CONVERSION KITS</b>				
	Conversion Kit NG		NGK-OH	Y
	Flare Injector, .161 (#20) NG		SRV4095-346	Y
	Regulator NG		SRVNGK-DXF	Y
	Conversion Kit Propane		LPK-OH	Y
	Flare Injector, .098 (#40) Propane		SRV4095-345	Y
	Regulator Propane		SRVLPK-DXF	Y