

Part number list on following page.

No one builds a better fire

Beginning Manufacturing Date: Aug 2019
Ending Manufacturing Date: Active

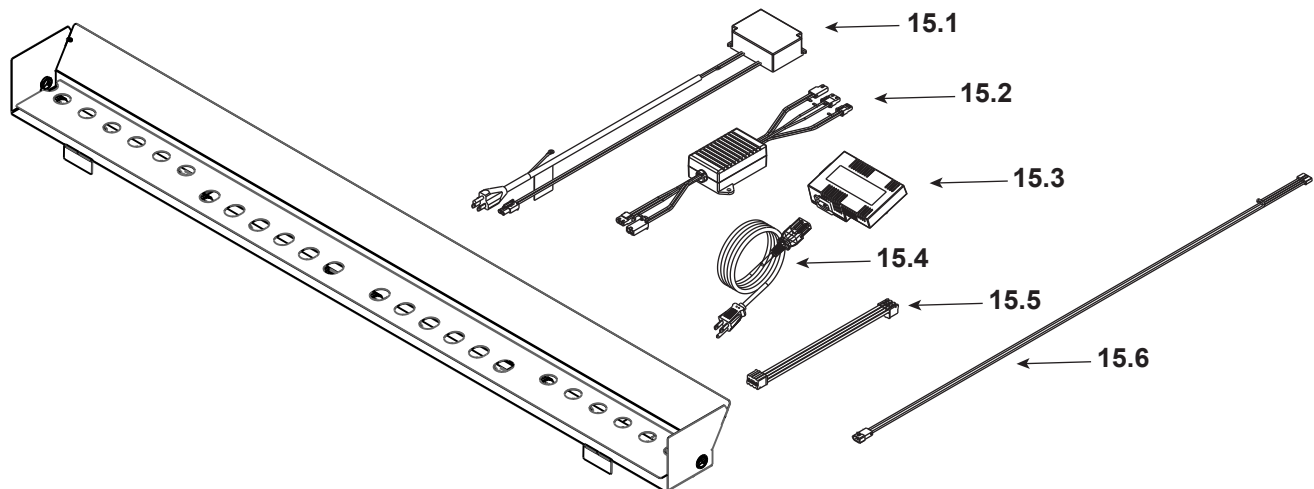
IMPORTANT: THIS IS DATED INFORMATION. Parts must be ordered from a dealer or distributor. **Hearth and Home Technologies does not sell directly to consumers.** Provide model number and serial number when requesting service parts from your dealer or distributor.



Stocked
at Depot

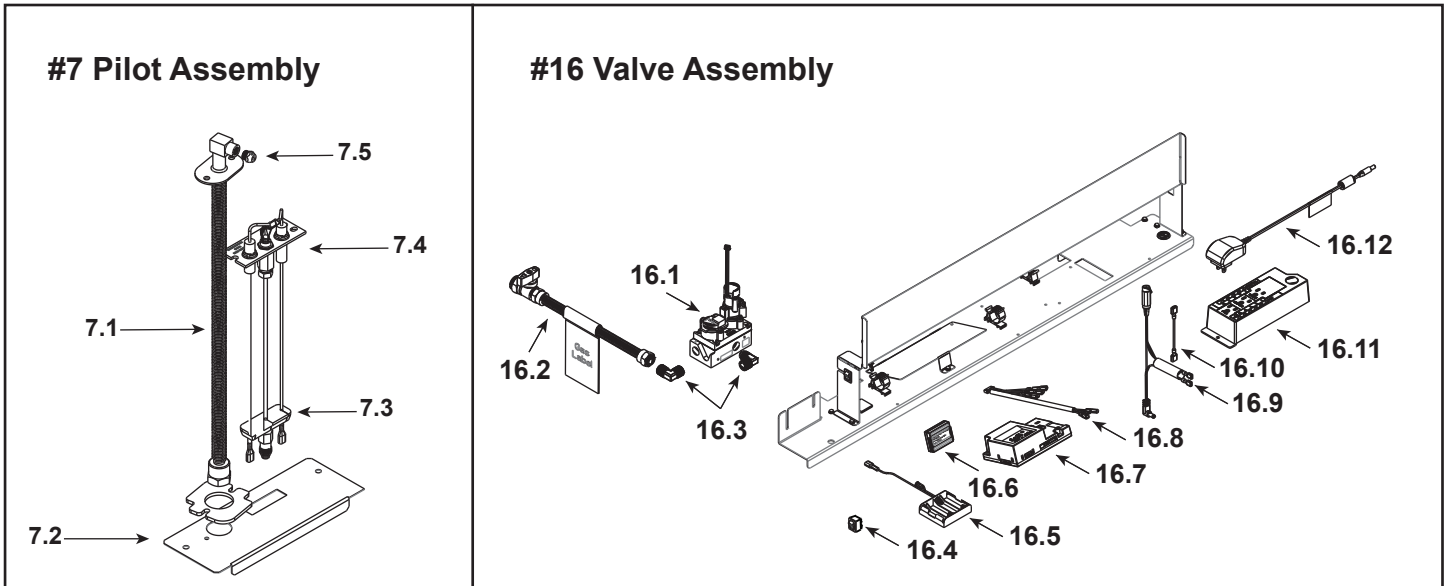
ITEM	DESCRIPTION	COMMENTS	PART NUMBER	
1	Non-combustible Board, Top	Qty 2 req	SRV2321-460	
2	Standoff, Top	Qty 4 req	2604-283	
3	Side Trim	Qty 4 req	2300-281	
4	Non-combustible Board, Side Pkg of 2	Qty 2 req	2300-461	
5	Bottom Glass		2321-018	
6	Burner		2321-007	
7	Pilot Assembly		See Following Page	
8	Shield, Pilot		2300-195	
9	Glass Assembly	Qty 2 req	GLA-60-HNG	
10	Shield, Bottom Glass w/vent		2321-179	
	Shield, Bottom Glass		2322-179	
11	Panel, Bottom w/vent		2321-147	
	Panel, Bottom		2322-147	
12	Rock Tray		2321-151	
13	Heat Shield, Front		2605-150	
14	Heat Shield, Rear		2605-151	

#15 LED Light Assembly



15	LED Light Assembly		ALK-60-C	
15.1	Power Supply, LED 40W		2326-113	Y
15.2	LED Dimmer		2326-112	Y
15.3	Module, B Type AC		SRV2326-150	Y
15.4	Cable, B Type AC Module		SRV2326-152	Y
15.5	LED Lightbar Connection		2300-753	Y
15.6	Cable, Linear LED		2300-754	Y

Additional service part numbers on following page.



IMPORTANT: THIS IS DATED INFORMATION. Parts must be ordered from a dealer or distributor. **Hearth and Home Technologies does not sell directly to consumers.** Provide model number and serial number when requesting service parts from your dealer or distributor.



Stocked at Depot

ITEM	DESCRIPTION	COMMENTS	PART NUMBER	
7.1	Bulkhead w/Flex tube		2166-119	Y
7.2	Plate Flex and Pilot		2300-163	
7.3	3-Hole Grommet		SRV2118-420	
7.4	Pilot Assembly, NG		2406-012	Y
	Pilot Assembly, Propane	Convert 2406-012 with SRV593-527		Y
7.5	Orifice, NG #28C		582-828	Y
	Orifice, Propane #48C		SRV582-848	Y
16.1	Valve, NG		SRV2166-302	Y
	Valve, Propane		2166-303	Y
16.2	Flex Ball Valve Assembly		SRV2078-022	Y
16.3	Elbow	Qty 2 req	SRV4021-045	
16.4	Reset Switch	Propane Only	2206-298	Y
16.5	Battery Pack**		SRV2326-134	Y
16.6	Module, RF		SRV2326-120	Y
16.7	Module, IFT Control		SRV2326-130	Y
16.8	Wire Harness		SRV2326-132	Y
16.9	Reset Switch Wire	Propane Only	SRV2326-135	Y
16.10	Jumper Wire, 2.5 inch		2155-033	Y
16.11	Junction Box		SRV4021-013	Y
16.12	Transformer, 6 Volt Wall		SRV2326-131	Y
	Component Insulation		2604-102	Y

**Fuse for battery pack can be sourced locally, not a warranty item. Specs are 250v, 3A fuse, 3/4" long

Additional service part numbers on following page.



Service Parts

MEZZO60ST-C

Beginning Manufacturing Date: Aug 2019
Ending Manufacturing Date: Active

No one builds a better fire

IMPORTANT: THIS IS DATED INFORMATION. Parts must be ordered from a dealer or distributor. **Hearth and Home Technologies does not sell directly to consumers.** Provide model number and serial number when requesting service parts from your dealer or distributor.



Stocked at Depot

ITEM	DESCRIPTION	COMMENTS	PART NUMBER	
	Flue Restrictor		385-128	
	Fiber Glass Rope		060-455	
	Gasket Assembly Contains:Vent, Burner Neck, Seal Cap, Air Passage, Drawn Air Passage, and Flex and Pilot		2300-080	
	Glass Latch Assembly	Qty 8 req	2146-413	Y
	Heat Zone Collar Cover Plate		2310-107	
	Insulation Donut, Plug		2065-121	
	Log Assembly (Optional)		LOGS-60	
	Light Kit, Ambient		ALK-60-C	
	Black Glass Kit (Includes Manual Bag Assembly for kit and Refractory Assembly, Optional)		BGK-LINEARST	
	RC 400 Remote		SRV2326-110	Y
	Touch Up Paint		TUP-GBK-12	
	Vinyl Siding Shield		TRAP-VSS	
Media Options				
	Media Kit, Red		MEDIA-RED-60	
	Media Kit, Fog		MEDIA-FOG-60	
	Media Kit, Ebony		MEDIA-EBONY-60	
	Media Kit, Cobalt		MEDIA-COBALT-60	
	Media Kit, Clear		MEDIA-CLEAR-60	
	Media Kit, Amber		MEDIA-AMBER-60	
Conversion Kits				
	Conversion Kit NG		NGK-MC-C	Y
	Conversion Kit Propane		LPK-7260	
	Pilot Orifice, NG		SRV593-528	Y
	Pilot Orifice, Propane		SRV593-527	Y
	Regulator, NG		NGK-DXV-50	Y
	Regulator, Propane		SRVLPK-DXV-50	Y