

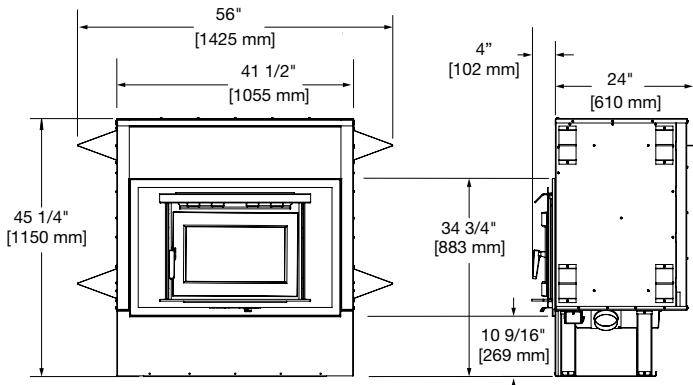


FP25 LE

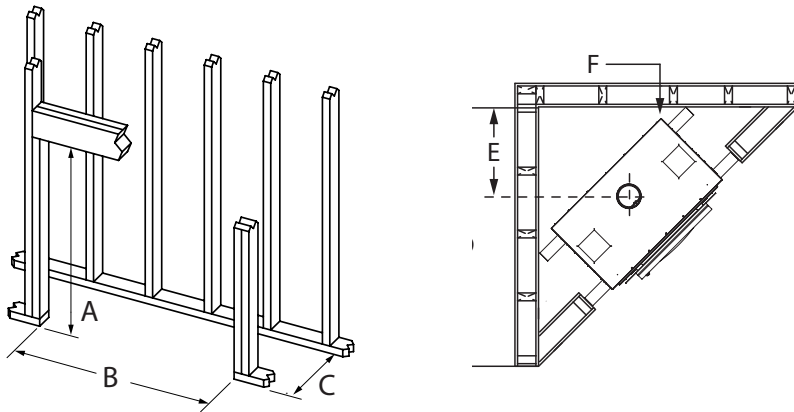
FOR MEDIUM TO LARGE SPACES



UNIT DIMENSIONS



FRAMING DIMENSIONS



| | |
|---|---------|
| A | 62" |
| B | 56 1/2" |
| C | 24" |
| D | 68 3/8" |
| E | 23 7/8" |
| F | 3 1/8" |

TECHNICAL DATA

85,000 BTU Heat Output Cord Wood
51,500 BTU EPA Test Fuel

| | |
|------------------------|------------|
| Efficiency (HHV) | 72% |
| Emissions | 1.4 gm/hr. |
| Log Size (recommended) | 16" |
| Log Size (max) | 18" |
| Firebox Size | 2.1 cu.ft. |
| Glass Viewing Area | 184 sq.in. |
| Weight | 610 lb. |

CLEARANCES

| | |
|---|--------------------|
| Minimum distance to the underside of the Mantel (max 12" deep) from the top of the Heat Exchanger Air Deflector. | 16" (406mm) |
| Minimum distance to the adjacent wall from the side of the fireplace door. | 22" (560mm) |
| Minimum distance to the Mantel side facing (max 4" deep) from the side of the fireplace door. | 11 1/2" (292mm) |
| Minimum width of floor protection from side of door opening. | 8" (200mm) |
| Minimum depth of non-combustible ember protector: from the front of the fireplace. | 16 1/2" (420mm) |