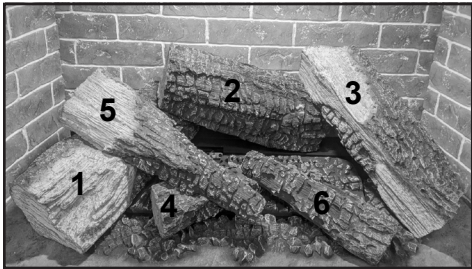
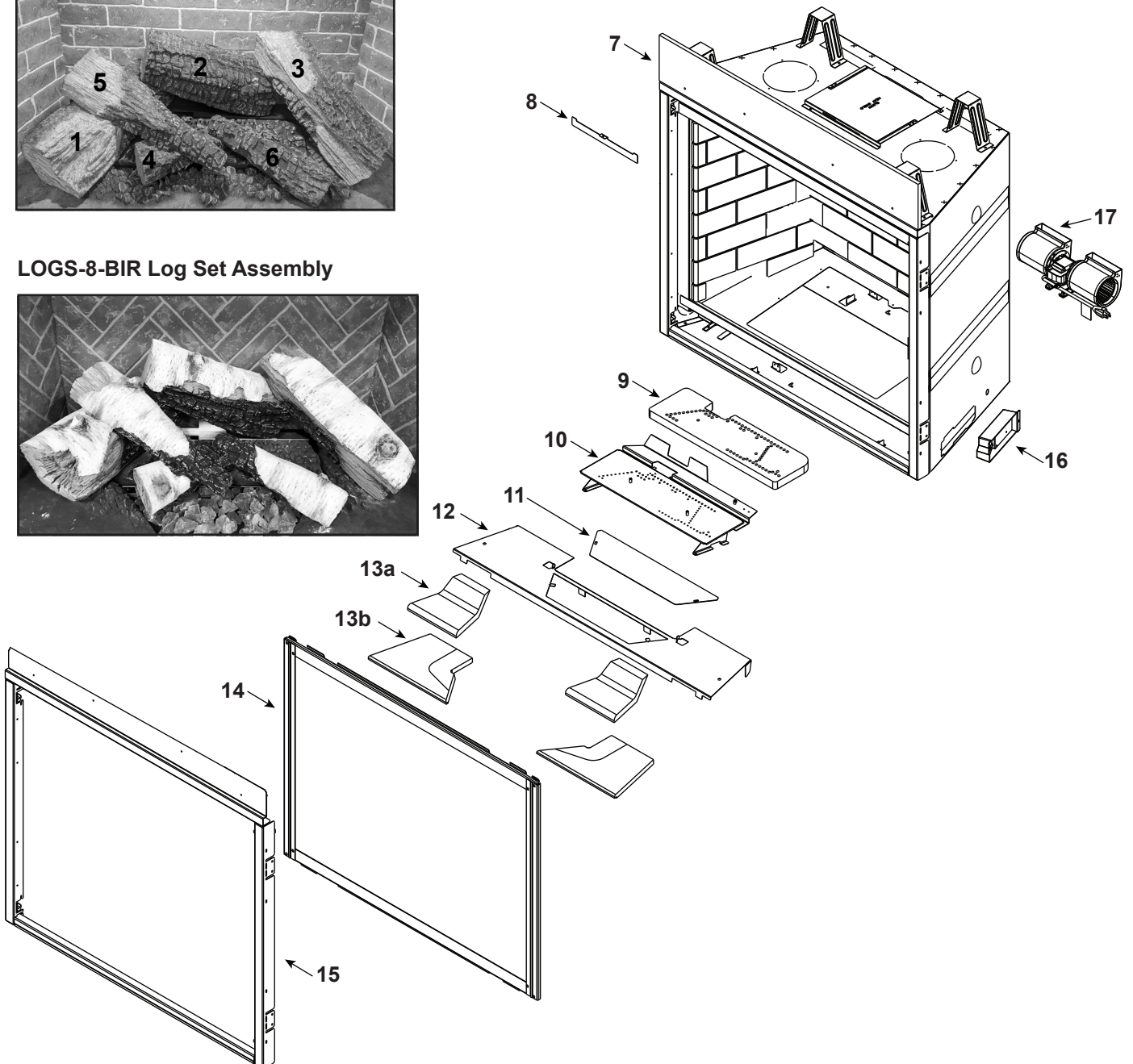


- 8KX-BL(Black Glass NG)(Active)
- 8KX-BL-BIR(Black Glass NG Birch)(Active)
- 8KX-CU(Calm Umber NG)(Active)
- 8KX-LP-SJ(Serene Jute Propane)(Active)
- 8KX-LP-TG(Tranquil Greige Propane)(Active)
- 8KX-SJ(Serene Jute NG)(Active)
- 8KX-TG(Tranquil Greige NG)(Active)
- 8KX-TG-BIR(Tranquil Greige NG Birch)(Active)

LOGS-8KX Log Set Assembly



LOGS-8-BIR Log Set Assembly



Part number list on following page.

No one builds a better fire

IMPORTANT: THIS IS DATED INFORMATION. Parts must be ordered from a dealer or distributor. **Hearth and Home Technologies does not sell directly to consumers.** Provide model number and serial number when requesting service parts from your dealer or distributor.



**Stocked
at Depot**

| ITEM | DESCRIPTION | COMMENTS | PART NUMBER | |
|------|---|------------------|----------------|---|
| | Log Assembly | Premium | LOGS-8KX | Y |
| 1 | Log #1 | Premium | SRV2586-720 | |
| 2 | Log #2 | Premium | SRV2586-721 | |
| 3 | Log #3 | Premium | SRV2586-722 | |
| 4 | Log #4 | Premium | SRV2586-723 | |
| 5 | Log #5 | Premium | SRV2586-724 | |
| 6 | Log #6 | Premium | SRV2582-725 | |
| | Log Assembly (Complete Set Only) | Birch | LOGS-8-BIR | Y |
| 7 | Non-combustible board | | 2587-137 | |
| 8 | Curtain, Flue Light | | 2583-179 | |
| 9 | Burner Overlay | | SRV2583-127 | Y |
| 10 | Burner Assembly | | 2587-007 | Y |
| | Pilot Shield | NG Only | 2583-234 | |
| 11 | Mesh, Ember Bed | | 2583-157 | |
| 12 | Basket, Ember Bed | | 2587-156 | |
| | Glass Liner Kit (Back, Left, Right, Bases, Top, & Insulation Boards) | | GL-42MX | |
| | Magic Glass Assembly (Back, Left, & Right) | Black Glass | 2594-079 | |
| | Refractory Brackets BK (Right and Left) | | SRV2587-747 | |
| | Brick Kit (Back, Left, Right, Bases & Top) | Calm Umber | BRICK-8KX-CU | |
| | | Serene Jute | BRICK-8KX-SJ | |
| | | Tranquil Greige | BRICK-8KX-TG | |
| 13a | Rear Refractory Base (Qty 2 req) | Calm Umber | SRV2586-077-CU | |
| | | Serene Jute | SRV2586-077-SJ | |
| | | Tranquil Greige | SRV2586-077-TG | |
| 13b | Front Refractory Base (Right and Left) | Black Glass | SRV2587-076-BK | |
| | | Calm Umber | SRV2587-076-CU | |
| | | Serene Jute | SRV2587-076-SJ | |
| | | Tranquil Greige | SRV2587-076-TG | |
| 14 | Glass Assembly | | GLA-8KX | Y |
| | Finishing Strips | Sold as set only | SRVFS-8K | |
| 15 | Surround | | SRV2587-019 | |
| | Surround Bottom | | SRV2583-193-2 | |
| 16 | Junction box | | SRV2583-009 | Y |
| 17 | Blower | | GFK-160A | Y |
| | Elbow Heat Shield | | 385-290 | |
| | Flue Restrictor | | 385-128 | |
| | Gasket Assembly (Vent, seal cap, cover, drawn neck, shutter, valve, & bulkhead) | | 2583-080 | |
| | Glass Clip Assembly (Top) | Qty 2 req | 2155-047 | Y |
| | Glass Clip Assembly (Bottom) | Qty 2 req | 2155-045 | Y |
| | Seal Cap | Qty 2 req | 4031-221 | |
| | Illuminated Embers Glass Media | 4lbs. | 2680-753 | |

IMPORTANT: THIS IS DATED INFORMATION. Parts must be ordered from a dealer or distributor. **Hearth and Home Technologies does not sell directly to consumers.** Provide model number and serial number when requesting service parts from your dealer or distributor.



**Stocked
at Depot**

| ITEM | DESCRIPTION | COMMENTS | PART NUMBER | |
|---------------------------|--------------------------|-----------|--------------------|---|
| #18 Valve Assembly | | | | |
| | | | | |
| 18.1 | Pilot Assembly | NG | 2106-169 | Y |
| | | Propane | 2106-170 | Y |
| | Pilot Tube | | SRV485-301 | Y |
| 18.2 | 3-Hole Grommet | | SRV2118-420 | |
| 18.3 | Bulkhead W/Flex tube | | SRV7000-156 | Y |
| 18.4 | Flex Ball Valve Assembly | | SRV303-330 | Y |
| 18.5 | Glass, Ember | | 2583-173 | |
| 18.6 | Kapton, Ember | | 2583-171 | |
| 18.7 | LED Assembly, Ember Bed | | 2583-061 | Y |
| 18.8 | Valve | NG | SRV2166-302 | Y |
| | | Propane | 2166-303 | Y |
| 18.9 | Male Connector | Pkg of 5 | 303-315/5 | Y |
| 18.10 | Battery Holder** | | SRV2326-142 | Y |
| 18.11 | Component Tray Assembly | | See following page | |
| 18.12 | Shutter Assembly | | 2583-011 | |
| 18.13 | LED Wire | | 2589-160 | Y |
| 18.14 | REB Accent Light | | 2583-236 | Y |
| 18.15 | Kapton, Accent | Qty 2 req | 2583-170 | |
| 18.16 | Glass, Accent | Qty 2 req | 2583-172 | |
| | Orifice, NG (#30C) | | 582-830 | Y |
| | Orifice, Propane (#48C) | | SRV582-848 | Y |

**Fuse for battery pack can be sourced locally, not a warranty item. Specs are 250v, 3A fuse, 3/4" long
Additional service parts on following page.

IMPORTANT: THIS IS DATED INFORMATION. Parts must be ordered from a dealer or distributor. **Hearth and Home Technologies does not sell directly to consumers.** Provide model number and serial number when requesting service parts from your dealer or distributor.



**Stocked
at Depot**

| ITEM | DESCRIPTION | COMMENTS | PART NUMBER | |
|------------------------------|---------------------------|----------|---------------|---|
| #18.11 Component Tray | | | | |
| | | | | |
| 18.11a | Module, IFT Control | | SRV2326-130 | Y |
| 18.11b | Module, RF FCC | | SRV2326-120 | Y |
| 18.11c | Harness, IFT 6 Pin Wiring | | SRV2583-063 | Y |
| 18.11d | Component Tray | | 2279-185 | |
| 18.11e | LED Controller | | 2166-336 | Y |
| 18.11f | Module, B Type AC | | SRV2326-150 | Y |
| 18.11g | Cable, B Type AC Module | | SRV2326-152 | Y |
| 18.11h | Transformer, 6 Volt Wall | | SRV2326-131 | Y |
| | RC400 Remote | | SRV2326-110 | Y |
| | Touch Up Paint | | TUP-GBK-12 | |
| | Mineral Wool | | 050-721 | |
| Conversion Kits | | | | |
| | Conversion Kit NG | | NGK-MID | Y |
| | Conversion Kit Propane | | LPK-MID | Y |
| | Pilot Orifice, NG | | SRV593-528 | Y |
| | Pilot Orifice, Propane | | SRV593-527 | Y |
| | Regulator, NG | | NGK-DXV-50 | Y |
| | Regulator, Propane | | SRVLPK-DXV-50 | Y |