

TRENTON

FREESTANDING GAS STOVE

CAST-IRON EDITION

FOR HEATING SMALL TO MEDIUM SPACES

PDF
UPDATED
SINCE PRINT
DATE



TRENTON
TRENTON CLASSIC



TRENTON | TRENTON CLASSIC

FOR SMALL – MEDIUM ROOMS



An exceptional performer with classic good looks, the Trenton cast iron freestanding gas stove combines the allure of traditional design with today's modern gas technology. Heavy cast iron retains and evenly distributes heat from the top and sides of the stove, providing even, constant heat throughout the room. Decorative doors swing open to reveal an unobstructed window of full, rich flames over a stacked logset against a backdrop of lustrous black porcelain enamel interior panel.

In keeping with the timeless elegance of cast iron, the Trenton is available in a palette of traditional finishes: painted Metallic Black or porcelain enamel in Antique White and Majolica Brown.

SAFETY

When designing any heat source, safety is always at the forefront. At Pacific Energy, we believe that with today's advanced technologies and materials, there's no need to compromise aesthetics for safety. That is why we've developed an integrated micro-mesh screen that creates a virtually invisible safety barrier, allowing a clear, unobstructed view of the flame as a standard feature for each model – we would show you, but even the camera can't see it!

EFFICIENCY

Behind the legendary performance of Pacific Energy fireplaces lies craftsmanship, experience and next-generation technology. Large, aluminum-finned heat exchangers maximize heat convection, highly reflective titanium baffles radiate heat through-out your living space. Heat output and flame are variable, allowing complete control of heating, comfort, and appearance.



Simple touch operation and temperature management.

Trenton Gas Stoves come standard with an advanced comfort remote control. Using Smart thermostat, your fire-place can automatically modulate flame height to optimize temperature management and room ambiance.

What is Design-A-Fire?

It's choice. It's a selection of design options that allow you to customize your fireplace experience and create the exact combination of color, finish, and detail to perfectly enhance your home.

Technical Specifications

NG	24,000 BTU/hr
P.4.1	74.3%
LP	24,000 BTU/hr
P.4.1	74.3%
AFUE NG	75.9%
AFUE LP	75.9%
Glass Size	340 sq.in.

STANDARD FEATURES

- Direct Vent Technology
- SIT Pro Flame 2 valve
- Full Flames
- Integrated Micro-Mesh Safety Screen
- Aluminum finned firebox
- 50% Turn Down
- Preassembled Interior with Black Porcelain Panels and Mature Fire Logset
- 2 x 80 CFM blowers
- Floor illumination
- Standard Remote Control
- Rear Vent
- Minimal Vertical Venting
- Leveling Legs

DESIGN-A-FIRE OPTIONS

Available in three finishes:
Metallic Black Cast Iron (Trenton)
Majolica Porcelain Enamel,
and Antique White Porcelain Enamel
(Trenton Classic)



TRENTON – METALLIC BLACK

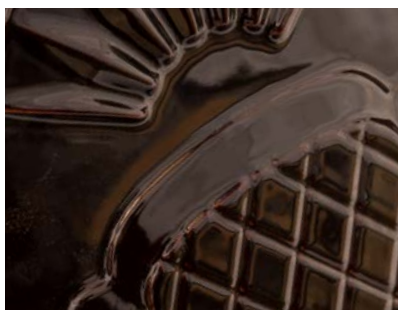
TRENTON CLASSIC – ANTIQUE WHITE

TRENTON



Metallic Black Cast Iron

TRENTON CLASSIC



Majolica Porcelain over Cast Iron



Antique White Porcelain over Cast Iron



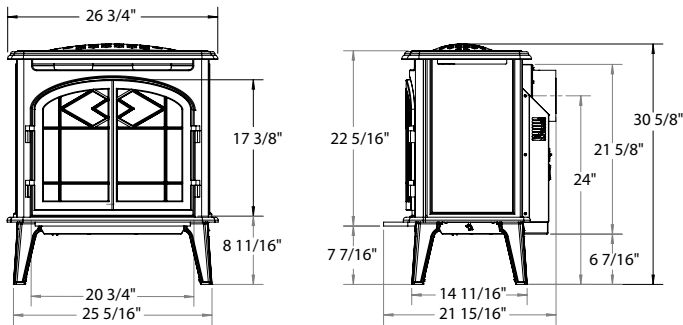
DESIGN

Absolute installation flexibility

Trenton stoves feature two direct venting options: vent straight from the back of the unit through an exterior wall or up vertically and then out.

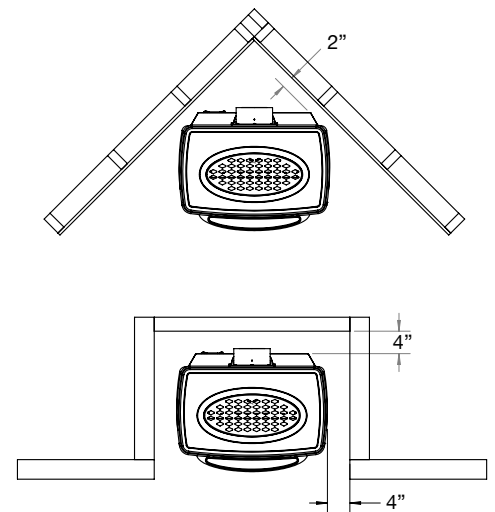
UNIT DIMENSIONS

TRENTON | TRENTON CLASSIC



For reference only. Installations should be based on manuals and rating labels. Specifications subject to change. Installation Manuals are available online. Visit www.pacificenergy.net.

CLEARANCE TO COMBUSTIBLES



 CAST IRON OVER STEEL

 DESIGN-A-FIRE
A SYSTEM BY PACIFIC ENERGY

 DESIGN

 EFFICIENCY

 SAFETY

PACIFIC ENERGY

pacificenergy.net