

**IMPORTANT:
THESE INSTRUCTIONS ARE TO
REMAIN WITH THE HOMEOWNER
SAVE THESE INSTRUCTIONS**



SERIAL #

SAFETY NOTICE

If this stove is not properly installed, a house fire may result. For your safety, follow the installation instructions. Contact local building or fire officials about restrictions and installation inspection requirements in your area.

INSTALLATION AND OPERATING INSTRUCTIONS

Meets the Environmental Protection Agency's 2020 Particulate Emission Standards (Crib Wood).



**MODEL:
SUMMIT INSERT LE**



Visit www.pacificenergy.net for the most recent version of this manual

Table of Contents

<p>Rating Label3 Efficiency and BTU Output3 Safety4 Chimney Smoke and Creosote Formation.....4 Chimney Fires4 To Avoid a Chimney Fire5 In Case of a Chimney Fire.....5 Curing of the Paint Finish.....5 Disposal of Ashes5 Operation6 Wood Selection.....6 Do not burn:.....6 How to Test Your Wood6 Lighting a fire7 Normal Operation7 Do not overfire this heater:7 Convection Blower Operation.....8 Restarting After Extended or Overnight Burns.....8 Proper Draft8 Maintenance9 Door gasket -9 Maintenance Checks10 Weekly:.....10 Monthly10 When Cleaning the Chimney System:10 Blower:.....10</p>	<p> Baffle:.....10 Baffle Removal10 Removal.....10 Dimensions11 Surround dimensions.....11 Minimum Fireplace and Hearth Dimensions12 Hearth requirements:12 Ember Protection:.....12 Clearances14 Minimum Clearances to Combustibles.....14 Installation15 Fireplace Specifications.....15 Into a Masonry Fireplace15 Into a Factory Built Fireplace18 Combustion Air18 Electrical Supply19 Fan Cover Removal19 Surround Assembly and Installation20 Fan Speed Controller Relocation21 Troubleshooting24 Firebrick Installation25 Parts Diagram28</p>
-----------------------------------------------------------------------------------------------------------------------------------------------------------------------------------------------------------------------------------------------------------------------------------------------------------------------------------------------------------------------------------------------------------------------------------------------------------------------------------------------------------------------------------------------------------------------------------------------------------------------------------------------------------------------------------------------------------------------------------------------------------------------------------------------------------------------------------------------------------------------------------------------------------------------------------------------------------------------------------------------------------------------------------------------------------------------------------------------------------------------------------------------------------	-----------------------------------------------------------------------------------------------------------------------------------------------------------------------------------------------------------------------------------------------------------------------------------------------------------------------------------------------------------------------------------------------------------------------------------------------------------------------------------------------------------------------------------------------------------------------------------------------------------------------------------------------------------------------------------------------------------------------------------------------------------------------------------------------------------------------------------------------------------------------------------------------------------------------------------------------------------------------------------

WARNING

**HOT GLASS WILL CAUSE
BURNS.**

**DO NOT TOUCH GLASS UNTIL
COOLED.**

**NEVER ALLOW CHILDREN TO
TOUCH GLASS.**

WARNING: This product can expose you to chemicals including ceramic fibers, which are known to the state of California to cause cancer, and to carbon monoxide, which is known to the state of California to cause birth defects or other reproductive harm.

For more information, go to www.p65warnings.ca.gov.

**This warning is applicable to all
PACIFIC ENERGY FIREPLACE PRODUCTS**

PLEASE SAVE THESE INSTRUCTIONS

This manual describes the installation and operation of the Pacific Energy, **SUMMIT INSERT LE; Fireplace Insert wood heater**. This heater meets the 2020 U.S. Environmental Protection Agency's crib wood emission limits for wood heaters sold after May 15, 2015. Under specific test conditions this heater has been shown to deliver heat at rates ranging from 13,567 to 39,159 btu/hr.

NOTE: WE STRONGLY RECOMMEND THAT SMOKE AND CARBON MONOXIDE DETECTORS BE INSTALLED IN THE AREA WHERE THE HEATER IS TO BE INSTALLED.

If smoke detectors have been previously installed, you may notice that they are operating more frequently. This may be due to curing of stove paint or fumes caused by accidentally leaving the fire door open. Do not disconnect the detectors.

SAFETY NOTICE: If this stove is not properly installed, a house fire may result. For your safety, follow the installation instructions. Contact local building or fire officials about restrictions and installation inspection requirements in you area.

Please read this entire manual before you install and use your new room heater. Failure to follow instructions may result in property damage, bodily injury, or even death.

Rating Label

PLEASE SAVE THESE INSTRUCTIONS

This manual describes the installation and operation of the Pacific Energy, SUMMIT INSERT LE Fireplace Insert wood heater.

SAFETY NOTICE:

This wood heater needs periodic inspection and repair for proper operation. It is against federal regulations to operate this wood heater in a manner inconsistent with the operating instructions in this manual.

Please read this entire manual before you install and use your new room heater. Failure to follow instructions may result in property damage, bodily injury, or even death.



Intertek
CF 4001507

LISTED SOLID WOOD FUEL FIREPLACE INSERT /
APPAREIL DU TYPE INSERTION DE COMBUSTIBLE SOLIDE DE CHEMINÉE
CERTIFIED FOR USE IN CANADA AND U.S.A./CERTIFIÉ AU CANADA ET AUX ETATS-UNIS
CERTIFIED TO / CERTIFIÉ POUR: ULCS628-93/ UL1482 (2011)
Refer to Intertek's Directory of Building Products for detailed information

MODEL / MODÈLE: SUMMIT INSERT LE

- INSTALL AND USE ONLY IN ACCORDANCE WITH PACIFIC ENERGY'S INSTALLATION AND OPERATING INSTRUCTIONS.
- CONTACT LOCAL BUILDING OR FIRE OFFICIALS ABOUT CODES, RESTRICTIONS AND INSTALLATION INSPECTION IN YOUR AREA.
- INSTALL AND USE ONLY IN MASONRY FIREPLACE. NOT TO BE INSTALLED IN A FACTORY-BUILT FIREPLACE.
- DO NOT CONNECT THIS UNIT TO A CHIMNEY FLUE SERVING ANOTHER APPLIANCE.
- COMPONENTS REQUIRED FOR INSTALLATION: FULL FLUE LINER CONFORMING TO CAN/ULC-S635 OR CAN/ULC-S640. IN U.S.A. FLUE LINER CONFORMING TO UL-1177 OR DIRECT FLUE CONNECTION ASSEMBLY.
- ELECTRICAL RATING 115V, 60HZ, 1.2 AMP. ROUTE POWER CORD AWAY FROM UNIT.
- DANGER: RISK OF ELECTRICAL SHOCK. DISCONNECT POWER BEFORE SERVICING UNIT.
- FOR USE WITH SOLID WOOD FUEL ONLY. DO NOT USE GRATE OR ELEVATE FIRE - BUILD WOOD FIRE DIRECTLY ON HEARTH.
- OPERATE ONLY WITH FEED DOOR CLOSED. OPEN TO FEED FIRE ONLY. REPLACE GLASS ONLY WITH CERAMIC GLASS.
- INSPECT AND CLEAN CHIMNEY FREQUENTLY. UNDER CERTAIN CONDITIONS OF USE, CREOSOTE BUILDUP MAY OCCUR RAPIDLY.
- STOVE IS DESIGNED TO BURN CORDWOOD ONLY. BURNING OTHER MATERIALS MAY CAUSE DAMAGE TO STOVE OR HOME.
- THIS WOOD HEATER NEEDS PERIODIC INSPECTION AND REPAIR FOR PROPER OPERATION.
- CONSULT THE OWNER'S MANUAL FOR FURTHER INFORMATION.
- IT IS AGAINST FEDERAL REGULATIONS TO OPERATE THIS WOOD HEATER IN A MANNER INCONSISTENT WITH THE OPERATING INSTRUCTIONS IN THE OWNER'S MANUAL.

MINIMUM CLEARANCE TO COMBUSTIBLES (MEASURED FROM INSERT BODY)
DÉGAGEMENT MINIMUM AUX COMBUSTIBLES

A) ADJACENT SIDEWALL/ PAROI LATÉRALE ADJACENTE	203 MM / 8 IN
B) MANTEL/MANTEAU	381 MM / 15IN
C) TOP FACING/ REVÊTEMENT SUPÉRIEUR	381 MM / 15IN
D) SIDE FACING/ REVÊTEMENT LATÉRAL	203 MM / 8 IN
E) FIRING SIDE, CANADA (with 3in drop) FIRING SIDE, U.S.A. (with 3in. drop)	457 MM / 18 IN 406 MM / 16 IN
F) EPREUVE DU FEU AUTRES CÔTÉS.	200 MM / 8 IN



INSTALL ONLY ON A NON-COMBUSTIBLE HEARTH UNDER THE UNIT, EXTENDING A DISTANCE OF 16IN / 406MM IN FRONT OF THE FIREPLACE OPENING FACE. - 3 in / 76mm ABOVE ADJACENT COMBUSTIBLE FLOOR. // INSTALLER UNIQUEMENT SUR UN COEUR NON COMBUSTIBLE SOUS L'APPAREIL, S'ÉTENDANT À UNE DISTANCE DE 16po / 406mm DEVANT LE FACE D'OUVERTURE DU FOYER. - 3 po / 76 mm AU-DESSUS DU PLANCHER COMBUSTIBLE ADJACENT

- INSTALLEZ ET UTILISEZ SELON LES INSTRUCTIONS D'INSTALLATION ET D'UTILISATION DE PACIFIC ENERGY.
- CONTACTEZ LES AGENTS LOCAUX DU CODE DU BÂTIMENT OU DU SERVICE-INCENDIE, CONCERNANT LES CODES, RESTRICTIONS ET EXIGENCES D'INSTALLATION DE VOTRE RÉGION.
- INSTALLER ET UTILISER UNIQUEMENT DANS LE FOYER DE MAÇONNERIE. NE PAS INSTALLER DANS UN FOYER FABRIQUÉ EN USINE.
- COMPOSANTS REQUIS POUR L'INSTALLATION: GAINÉ DE CHEMINÉE COMPLÈTE CONFORME À CAN/ULC-S635 OU CAN/ULC-S640. AUX ÉTATS-UNIS: GAINÉ DE CHEMINÉE CONFORME À UL-1177 OU KIT DE GAINÉ DE CHEMINÉE À RACCORDEMENT DIRECT.
- ALIMENTATION ÉLECTRIQUE: 115 V, 60 HZ, 1.2 AMP. ÉLOIGNEZ LE CORDON ÉLECTRIQUE DE L'APPAREIL. DANGER - RISQUE D'ÉLECTROCUTION.
- COUPEZ L'ALIMENTATION ÉLECTRIQUE AVANT TOUT TRAVAIL D'ENTRETIEN SUR L'APPAREIL.
- POUR UTILISATION AVEC BOIS SOLIDE SEULEMENT. AUCUN PORTE-BOIS NI FEU SURELEVÉ - MONTEZ LES BÛCHES DE BOIS DIRECTEMENT SUR L'ÂTRE. REMPLACEZ LA VITRE SEULEMENT PAR UNE VITRE EN CÉRAMIQUE.
- INSPECTEZ ET NETTOYEZ LA CHEMINÉE RÉGULIÈREMENT - EN CERTAINES CONDITIONS, DES DÉPÔTS DE CRÉOSOTE PEUVENT SE FORMER RAPIDEMENT.
- UTILISEZ CET APPAREIL SEULEMENT AVEC LA PORTE DE CHARGEMENT FERMÉE. OUVREZ-LA SEULEMENT POUR ALIMENTER LE FEU. CE POÊLE EST CONÇU UNIQUEMENT POUR BRÛLER DU BOIS DE CORDE. BRÛLER D'AUTRES MATÉRIAUX PEUT ENDOMMAGER LE POÊLE OU LE BÂTIMENT.

U.S. ENVIRONMENTAL PROTECTION AGENCY.
 Certified to comply with 2020 crib wood particulate emission standards, using test Method 28R. Certifié conforme aux normes sur les émissions de particules de 2020.

1.8 g/hr

DATE OF MANUFACTURE

MADE IN CANADA



MANUFACTURED BY:
 PACIFIC ENERGY FIREPLACE PRODUCTS LTD.
 2975 ALLENBY RD., DUNCAN, BC V9L 6V6

070323 SUMMIT INSERT LE 100001519

Efficiency and BTU Output

EPA Certified Emissions	1.8 grams per hour
LHV Tested Efficiency 1	80%
HHV Tested Efficiency 2	74%
EPA BTU Output 3	13,567 to 39,159 btu/hr
Maximum Wood Length	20 inches
Ideal Wood Length	16-18 inches
Fuel	Seasoned Cord wood

- 1 Weighted Average Lower Heating Value (LHV) efficiency as tested using CSA B415 Performance testing of solid-fuel-burning heating appliances. LHV assumes the moisture is already in a vapour state so there is no loss of energy
- 2 Weighted Average Higher Heating Value (HHV) efficiency as tested using CSA B415 Performance testing of solid-fuel-burning heating appliances. HHV includes the energy required to vaporize the water in the fuel
- 3 The range of BTU outputs is based on efficiency using CSA B415 Performance testing of solid-fuel-burning heating appliances and burn rates from the low and high EPA tests using Douglas Fir dimensional lumber.

Figure 1: SUMMIT INSERT LE rating Label

Experience will give you the right settings for proper combustion and efficient burning. Remember the correct air inlet setting is affected by variables such as type of wood, outside temperature, chimney size and weather conditions. With practice, you will become proficient in operating your heater and will obtain the performance for which it was designed.

SUMMIT INSERT LE 070323-28

3

10000089

Safety

CAUTION: Never use gasoline type lantern fuel, kerosene, charcoal lighter fluid or similar liquids to start or "freshen up" a fire in this heater. Keep all such liquids well away from the heater while it is in use.

Instruct all members of your family on the safe operation of the heater. Ensure they have enough knowledge of the entire system if they are expected to operate it. Stress the section on chimney fires and the importance of following the steps outlined "In Case of Chimney Fire".

Chimney Smoke and Creosote Formation

When wood is burned slowly, it produces tar and other organic vapours, which combine with expelled moisture to form creosote. The creosote vapours condense in the relatively cool chimney flue of a slow burning fire. As a result, creosote residue accumulates on the flue lining. When ignited, this creosote makes an extremely hot fire. The chimney connector and chimney should be inspected periodically (at least once every two months) during the heating season to determine if a creosote buildup has occurred. If creosote has accumulated (3 mm. or more), it should be removed to reduce the risk of a chimney fire.

1. Highest smoke densities and emissions occur when a large amount of wood is added to a bed of hot coals and the air inlet is closed. The heated wood generates smoke, but without ample air, the smoke cannot burn. Smoke-free, clean burning requires small fuel loads, two or three logs at a time or 1/4 to 1/2 of fuel load and leaving the air inlet relatively wide open, especially during the first 10 to 30 minutes after each loading, when most of the smoke generating reactions are occurring. After 30 minutes or so, the air inlet can be turned down substantially without excessive smoke generation. Wood coals create very little creosote-producing smoke.
2. The cooler the surface over which the wood smoke is passing, the more creosote will be condensed. Wet or green wood contributes significantly to creosote formation as the excess moisture that is boiled off cools the fire, making it difficult for the tars and gases to ignite, thus creating dense smoke and poor combustion. This moisture-laden smoke cools the chimney, compounding the problem by offering the smoke the ideal place to condense.

In summary, a certain amount of creosote is inevitable. Regular inspection and cleaning is the solution. The use of dry, seasoned wood and ample combustion air will help to minimize annoying smoke emissions and creosote buildup.

Chimney Fires

The dangerous side effect of excessive creosote buildup is a chimney fire. This causes much higher than normal temperatures in the chimney and on its exterior surfaces. Temperatures inside the chimney can exceed 2000°F (1100°C). Ignition of nearby or touching combustible material is more likely during a chimney fire. Proper clearances are critical to prevent damage during such a fire.

Chimney fires are easy to detect; they usually involve one or more of the following:

- Flames and sparks shooting out of the top of the chimney
- A roaring sound
- Vibration of the chimney

To Avoid a Chimney Fire

1. Burn wood cleanly. Do not burn wet wood or turn down the unit too quickly after loading.
2. Do not let creosote build up to a point where a chimney fire is possible.
3. Do not have fires in the heater that may ignite chimney fires. These are excessively hot fires, such as when burning household trash, cardboard, Christmas tree limbs, or even ordinary fuel wood; (eg. with a full load on a hot bed of coals and with the air inlet wide open for more time than is needed to completely char a fresh fuel load.)
4. The Chimney and connector pipe should be inspected /cleaned periodically.

In Case of a Chimney Fire

1. Prepare to evacuate to ensure everyone's safety. Have a well understood plan of action for evacuation. Have a place outside where everyone is to meet.
 2. Close air inlet on stove.
 3. Call local fire department. Have a fire extinguisher handy. Contact your local municipal or provincial fire authority for further information on how to handle a chimney fire. It is most important that you have a clearly understood plan on how to handle a chimney fire.
 4. After the chimney fire is out, the chimney must be cleaned and checked for stress and cracks before starting another fire. Also check combustibles around the chimney and the roof.
- The services of a professionals who are certified by a “Qualified agency”;such as

**NFI (National Fireplace Institute®) in the United States,
CSIA (Chimney Safety Institute of America) in the United States and Canada,
WETT (Wood Energy Technology Transfer) in Canada or
APC (Association des Professionnels du Chauffage) in Quebec**

Curing of the Paint Finish

To achieve the best finish, follow the instructions provided from Stove Bright. The paint on your stove must be baked on. When burning your stove for the first 2-3 times it is very important that the room be well ventilated. Open all windows and doors. Smoke and fumes caused by the curing process may cause discomfort to some individuals.

Disposal of Ashes

Ashes should be placed in a metal container with a tight fitting lid. The closed container of ashes should be placed on a non-combustible floor or on the ground, well away from all combustible materials, pending final disposal. If the ashes are disposed of by burial in soil or otherwise locally dispersed, they should be retained in closed container until all cinders have thoroughly cooled. Other waste should not be placed in this container.

Operation

CAUTION: Hot while in operation. Keep children, clothing and furniture away. Contact may cause skin burns.

WARNING: Always keep loading door closed when burning. This heater is not designed for open door burning.

WARNING: No alteration or modification of the combustion air control assembly is permitted. Any tampering will void warranty and could be very hazardous.

WARNING: Do not use grates or andirons to elevate the fuel. Burn directly on the fire bricks. Replace broken or missing bricks. Failure to do so may create a hazardous condition.

Wood Selection

This heater is designed to burn natural wood only. Higher efficiency and lower emissions generally result when burning air-dried seasoned hardwoods, as compared to softwoods or to green or freshly cut hardwoods.

Wood should be properly air dried (seasoned) for six months or more. Wet or undried wood will cause the fire to smoulder and produce large amounts of smoke and creosote. Wet wood also produces very little heat and tends to go out often. Wood should be stored under cover away from open flame or heat sources.

DO NOT BURN :

• Salt water wood *	• Treated wood *
• Wet or green wood	• Coal/charcoal
• Garbage*	• Solvents
• Lawn clippings/yard waste	• Unseasoned wood
• Railroad ties	• Manure or animal remains
• Materials containing rubber, including tires	• Materials containing plastic *
• Construction or demolition debris	• Materials containing asbestos
• Waste petroleum products, paints, paint thinners, or asphalt products	• Paper products, cardboard, plywood, or particleboard.

* **These materials contain chlorides which will rapidly destroy metal surfaces and void warranty.**

Burning these materials may result in the release of toxic fumes or render the heater ineffective and cause smoke.

Do not burn anything but wood. Other fuels, eg. charcoal, can produce large amounts of carbon monoxide, a tasteless, odourless gas that can kill. Under no circumstances should you attempt to barbecue in this heater.

The prohibition against burning these materials does not prohibit the use of fire starters made from paper, cardboard, saw dust, wax and similar substances for the purpose of starting a fire in an affected wood heater.

How to Test Your Wood

Add a large piece of wood to the stove when it has a good large bed of coals. It is dry if it is burning on more than one side within one minute. It is damp if it turns black and lights within three minutes. If it sizzles, hisses and blackens without igniting in five minutes it is soaked and should not be burnt.

Lighting a fire

WARNING: Never use chemicals or any other volatile liquid to start a fire. Do not burn garbage, or flammable fluids such as gasoline, naphtha, or engine oil.

1. Adjust air control to "High" position(all the way to the left) and open door.
2. Place crumpled newspaper in the centre of the heater and crisscross with several pieces of dry kindling. Add a few small pieces of dry wood on top.
3. Ignite the paper and leave the door ajar approximately 1/2"(13mm) - 1"(25mm) until the wood kindling is fully engulfed in flame. Never leave the Stove unattended with the door open.
4. After the kindling is fully engulfed add a few small logs. Close door.
5. Begin normal operation after a good coal base exists and wood has charred.

Normal Operation

WARNING: This Insert has a manufacturer-set minimum low burn rate that must not be altered. It is against federal regulations to alter this setting or otherwise operate this wood heater in a manner inconsistent with the operating instructions in this manual.

1. Set air control to a desired setting. If smoke pours down across the glass (waterfall effect) this indicates you have shut the control down too soon or you are using too low a setting. The wide range control panel makes finding the desired setting for your application easy. As every home's heating needs vary (ie. insulation, windows, climate, etc.) the proper setting can only be found by trial and error and should be noted for future burns.
 2. To refuel, adjust air control to high, and give the fire time to brighten. Open the door slowly, this will prevent back puffing.
 3. Use wood of different shape, diameter and length (up to 18"(457mm)). Load your wood endwise and try to place the logs so that the air can flow between them. Always use dry wood.
 4. Do not load fuel to a height or in such a manner that would be hazardous when opening the door.
 5. For extended or overnight burns, unsplit logs are preferred. Remember to char the wood completely on maximum setting before adjusting air control for overnight burn.
- Burn wood only, dry and well seasoned. The denser or heavier the wood when dry, the greater its heat value. This is why hardwoods are generally preferred. Green or wet wood will cause a rapid buildup of creosote. If you feel it is necessary to burn wet or unseasoned wood, do so only with the air inlet set open enough to maintain a good strong fire and fairly high chimney temperatures. Do not attempt to burn overnight using green wood or wet wood. Wet wood can cause up to 25% drop in heater output, as well as contributing significantly to creosote buildup.

DO NOT OVERFIRE THIS HEATER:

Attempts to achieve heat output rates that exceed heater design specifications can result in permanent damage to the heater and chimney. A glowing red, top or vent pipe are indications of overfiring. Failure to rectify an over firing condition can be hazardous and may void the manufacturer's warranty.

Convection Blower Operation

The Insert comes equipped with twin variable speed circulating air blowers. The blower system is thermostatically controlled for automatic operation, as well as manually with a convenient bypass switch. Automatic Blower Operation: Allows the blowers to turn on automatically once the Insert has come up to operating temperature. It will also shut the blowers off after the fire has gone out and the appliance has cooled to below a useful heat output range. Push the rocker switch to the "OFF" position and set the fan speed control to a desired setting.

Manual Blower Operation: Push the rocker switch to the "ON" position and set the fan speed control to a desired setting. This will bypass the temperature switch and allow full control of the blowers.

Suggested settings:

- Combustion air control setting of "L" (low) position (pushed to the far right), operate blower speed control on "Low".
- Combustion air control set at anything above "L" (low), operate blower speed control at desired setting.

Restarting After Extended or Overnight Burns

1. Open door and rake hot embers towards the front of the heater. Add a couple of dry, split logs on top of embers, close door.
2. Adjust air control to high and in just a few minutes, logs should begin burning.
3. After wood has charred, reset air control to desired setting.
4. To achieve maximum firing rate, set control to high "H". Do not use this setting other than for starting or preheating fresh fuel loads.

Proper Draft

1. Draft is the force which moves air from the appliance up through the chimney. The amount of draft in your chimney depends on the length of the chimney, local geography, nearby obstructions and other factors.
2. Too much draft may cause excessive temperatures in the appliance. An uncontrollable burn or a glowing red stove part or chimney indicates excessive draft.
3. Inadequate draft may cause back puffing into the room and plugging of the chimney. Smoke leaking into the room through appliance and chimney connector joints indicates inadequate draft.

Remember the correct air inlet setting is affected by variables such as type of wood, outside temperature, chimney size and weather conditions.

Ash Removal

Caution: Ashes are to be removed only when the heater is cold. Whenever ashes get 3"(76mm) to 4"(102mm) deep in your firebox, and when fire has burned down and cooled, remove excess ashes. Leave an ash bed approximately 1" (25 mm) deep on the firebox bottom to help maintain a hot charcoal bed.

See section "Disposal of Ashes" on page 5.

Maintenance

WARNING: ONLY USE MATERIALS SUPPLIED BY MANUFACTURER WHEN DOING MAINTENANCE OR REPLACEMENTS.

1. If glass becomes darkened through slow burning or poor wood, it can readily be cleaned with fireplace glass cleaner when stove is cold. Never scrape with an object that might scratch the glass. The type and amount of deposit on the glass is a good indication of the flue pipe and chimney buildup. A light brown dusty deposit that is easily wiped off usually indicates good combustion and dry, well-seasoned wood and therefore relatively clean pipes and chimney. On the other hand, a black greasy deposit that is difficult to remove is a result of wet and green wood and too slow a burning rate. This heavy deposit is building up at least as quickly in the chimney.

DOOR GASKETS -

The gasket used by Pacific Energy (7/8"(22mm) medium density fiberglass rope) requires only light pressure to seal. This will prolong seal life. It is important that the door seal be maintained in good condition. Periodically inspect seals and replace if necessary. part# 80000158 Gasket Kit kit, obtainable from your nearest Pacific Energy dealer.

DOOR GLASS -

Do not slam loading door or otherwise impact glass. When closing door, make sure that no logs protrude to impact the glass. If the glass gets cracked or broken, it must be replaced before using the stove. Replacement glass can be obtained from your dealer. Use 9-1/2"(240mm) x 17-1/2"(445mm) x 5 mm. Ceramic glass only. Do not substitute with any other type.

To remove broken glass, undo the four retaining screws and remove clamps and frame, noting position for re-assembly. Remove all particles of glass. Be careful as they are very sharp. Install new glass complete with gasket. Replace frame, clamps and screws.

CAUTION:

- do not overtighten, tighten screws very carefully
 - do not clean glass when hot
 - do not use abrasive cleaners on glass
2. The area where boost combustion air enters the firebox must be kept clear of excessive ash buildup which will block air flow. This area is at the front of the firebox.
 3. Do not store wood within heater installation clearances, or within the space required for fuel loading and ash removal. Keep the area around the heater clean and free of loose combustibles, furniture, newspapers, etc.
 4. If the plated door requires cleaning, use mild soap and water only. Use of abrasive cleaners will void warranty.
 5. Establish a routine for the fuel, wood burning and firing technique. Check daily for creosote buildup until experience shows how often you need to clean to be safe.
 6. Be aware that the hotter the fire, the less creosote is deposited. Weekly cleaning may be necessary in mild weather, even though monthly cleaning is usually enough in the coldest months when burning rates are higher. When wood is burned slowly, it produces tar and other organic vapours, which combine with expelled moisture to form creosote.

Maintenance Checks

Check the following parts for damage such as cracks, excessive corrosion, burned out sections and excessive warping: (See website for descriptions and more detail)

Weekly:

- Firebrick - Visual, for cracking.
- Door Gasket - sagging, placement, damage.

Monthly

- Baffle.
- Brick rail tabs and brick rails.
- Air riser tube in the back of the firebox.
- Back side of airwash chamber.
- Baffle locking pin.
- Boost tube cover.
- **It is recommended to inspect the liner and connector monthly and to have the liner cleaned annually or more frequently if required.**

When Cleaning the Chimney System:

- Top baffle board/blanket.
- Top heat shield and mounting bolt.
- Baffle Gasket.
- Brick Rails.
- Manifold.

Blower:

- The blower should be cleaned out a minimum every six months by removing the covers and using a vacuum on the openings in the blower ,to remove any dust and debris.

Baffle:

- Some warping of the baffle is normal(up to 1/4" or .65cm). Replace if the baffle has permanent warping greater than this or has cracking or breakage.
- Please contact your Dealer if you experience any of the damage listed above. Continuing to operate your stove with broken parts may accelerate damage to other parts and may void your warranty.

Baffle Removal

DO NOT OPERATE WITH BAFFLE ASSEMBLY OR INSULATION REMOVED.

Removal

Remove retaining pin at the back top of the firebox, just under the baffle. Lift baffle up and pull forward to disconnect from the supply tube. Tilt baffle sideways to drop down and remove from firebox. Inspect gasket between baffle and supply tube. If necessary, replace with gasket part number 80000365, available from your Pacific Energy dealer. Re-install baffle assembly in reverse order. The two side pieces of insulation must be tight against the side rails.

Dimensions

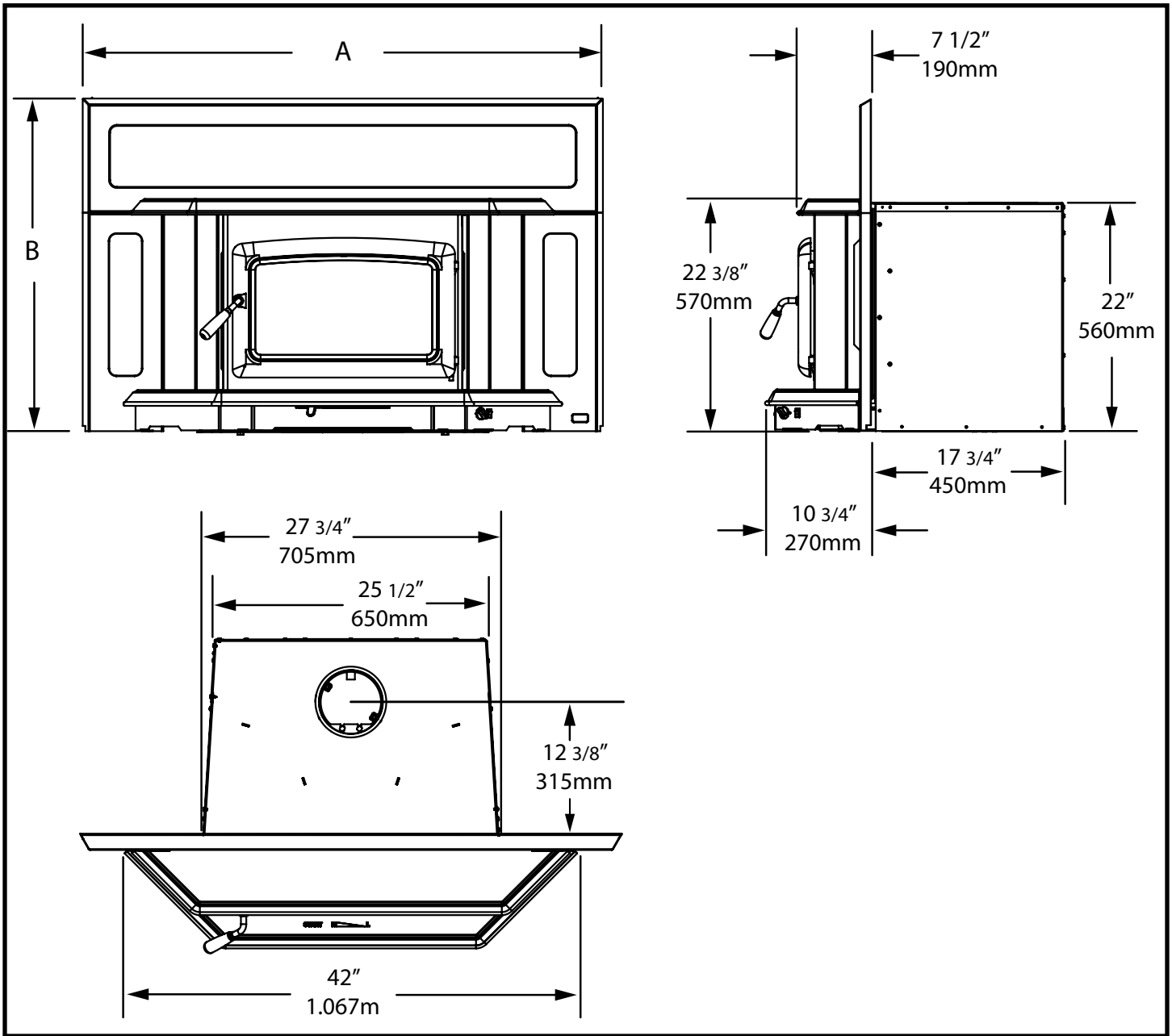


Figure 2: Summit Insert LE dimensions.

SURROUND DIMENSIONS		
	REGULAR SURROUND	OVERSIZED SURROUND
A	50 3/8"	54 3/8"
B	32 1/4"	34 1/4"

Minimum Fireplace and Hearth Dimensions

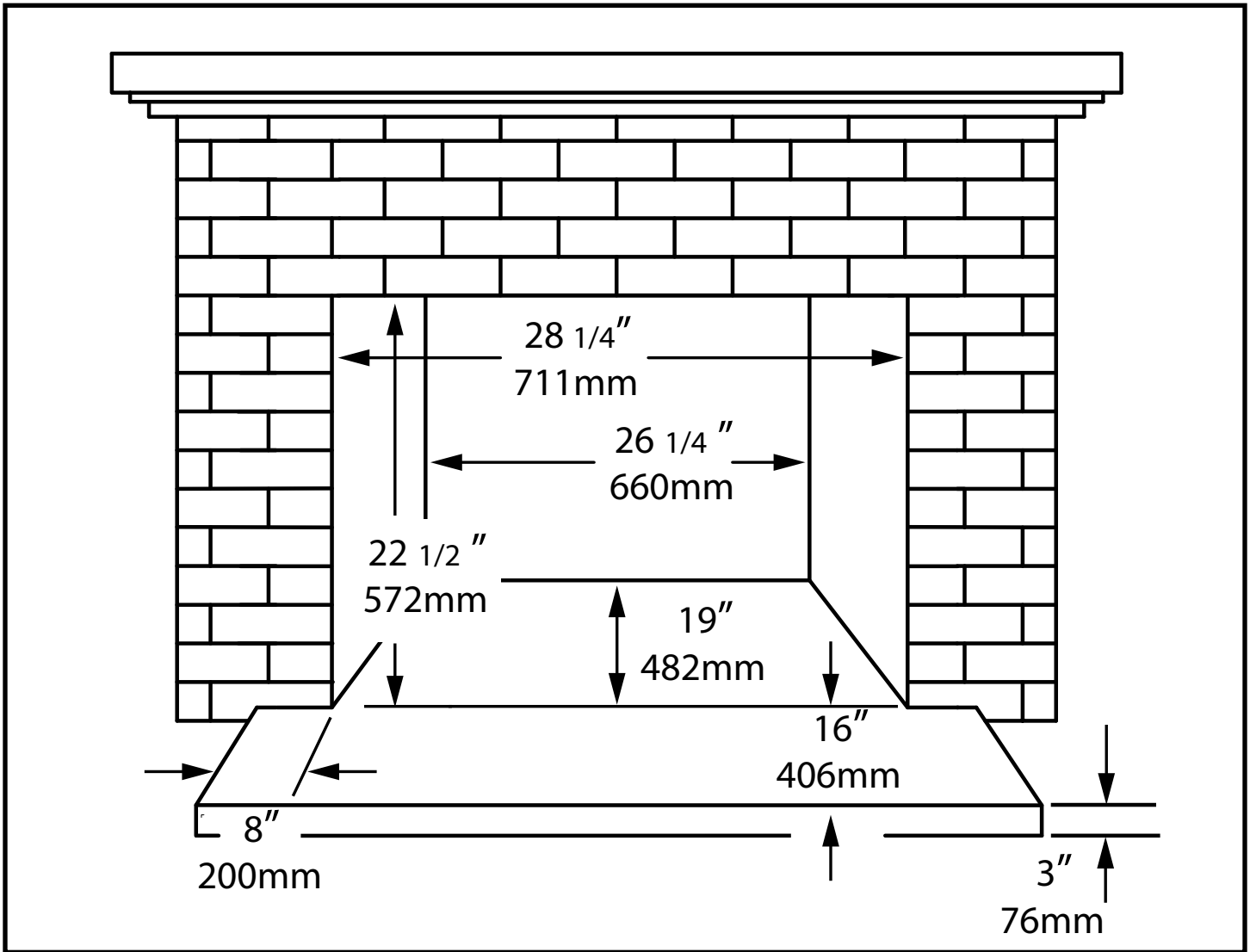


Figure 3: Fireplace opening dimensions.

Hearth requirements:

The fireplace's non-combustible hearth must extend 16" in front and 8" beyond each side of the existing fireplace opening and be raised 3" above any adjacent combustible floor. See Figure 3.

A non-combustible hearth that extends a minimum 24" / 610mm (in Canada) or 22" (in the U.S.) in front of the fireplace opening can be flush to an adjacent combustible floor (See Figure 5).

Ember Protection:

Combustible flooring in front of the fireplace insert must be protected from hot embers by non-combustible material extending 16" (USA) and 18" (CANADA) from the firing side (Door Glass) and 8" to the sides of the unit (Figure 4).

Consult CAN/CSA-B365 Installation Code for Solid-Fuel-Burning appliances and equipment in Canada, and N.F.P.A. 211 Standard for chimneys, fireplaces, vents and Solid-Fuel-Burning appliances in USA.

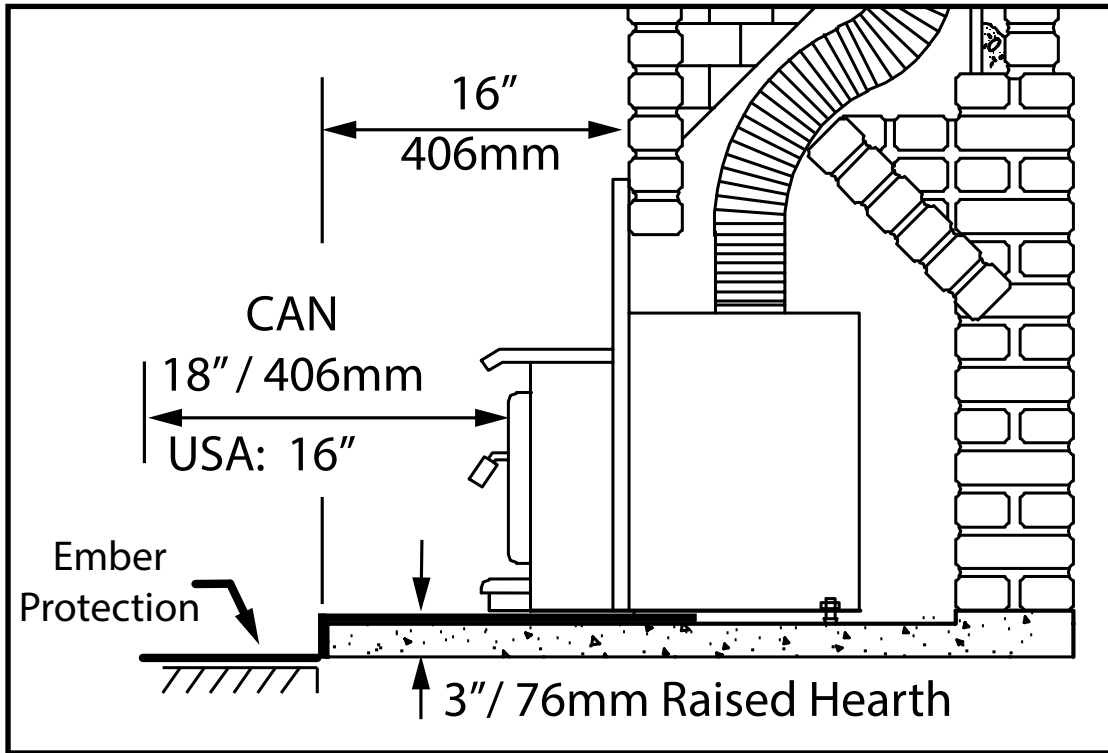


Figure 4: OPTION A - SIN LE Ember protection.

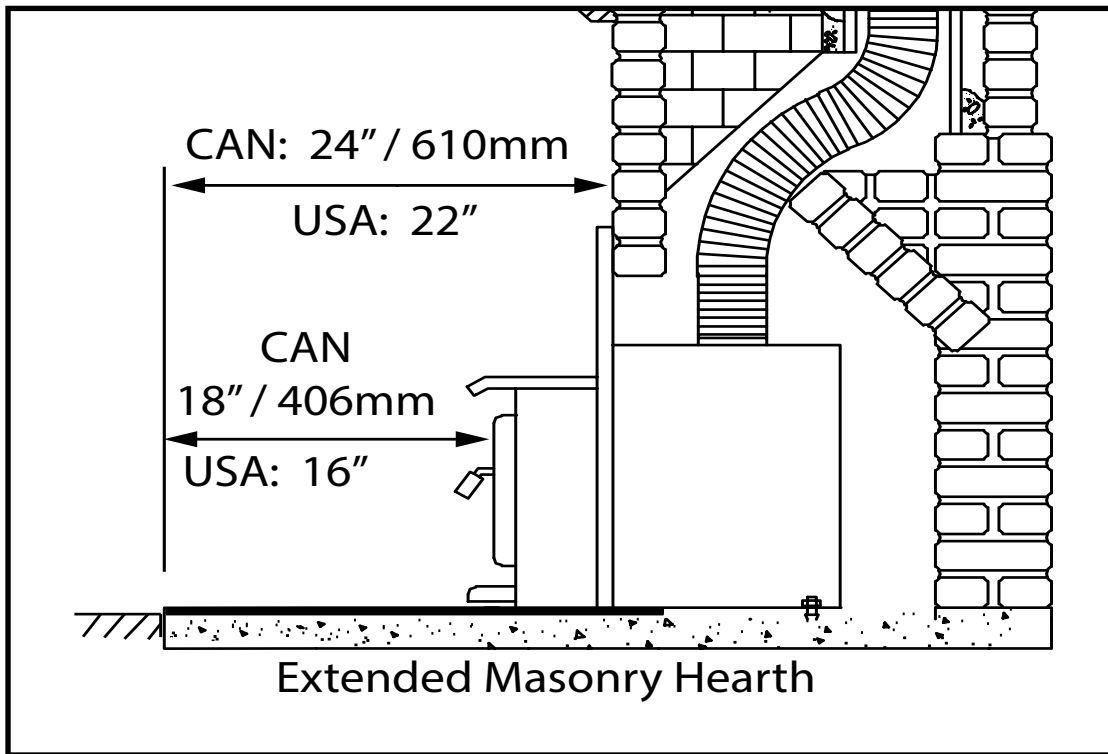


Figure 5: OPTION B - SIN LE Ember protection.

Clearances

The minimum required clearances to surrounding combustible materials when installed into a masonry or factory built fireplace are listed below and in Figure 6.

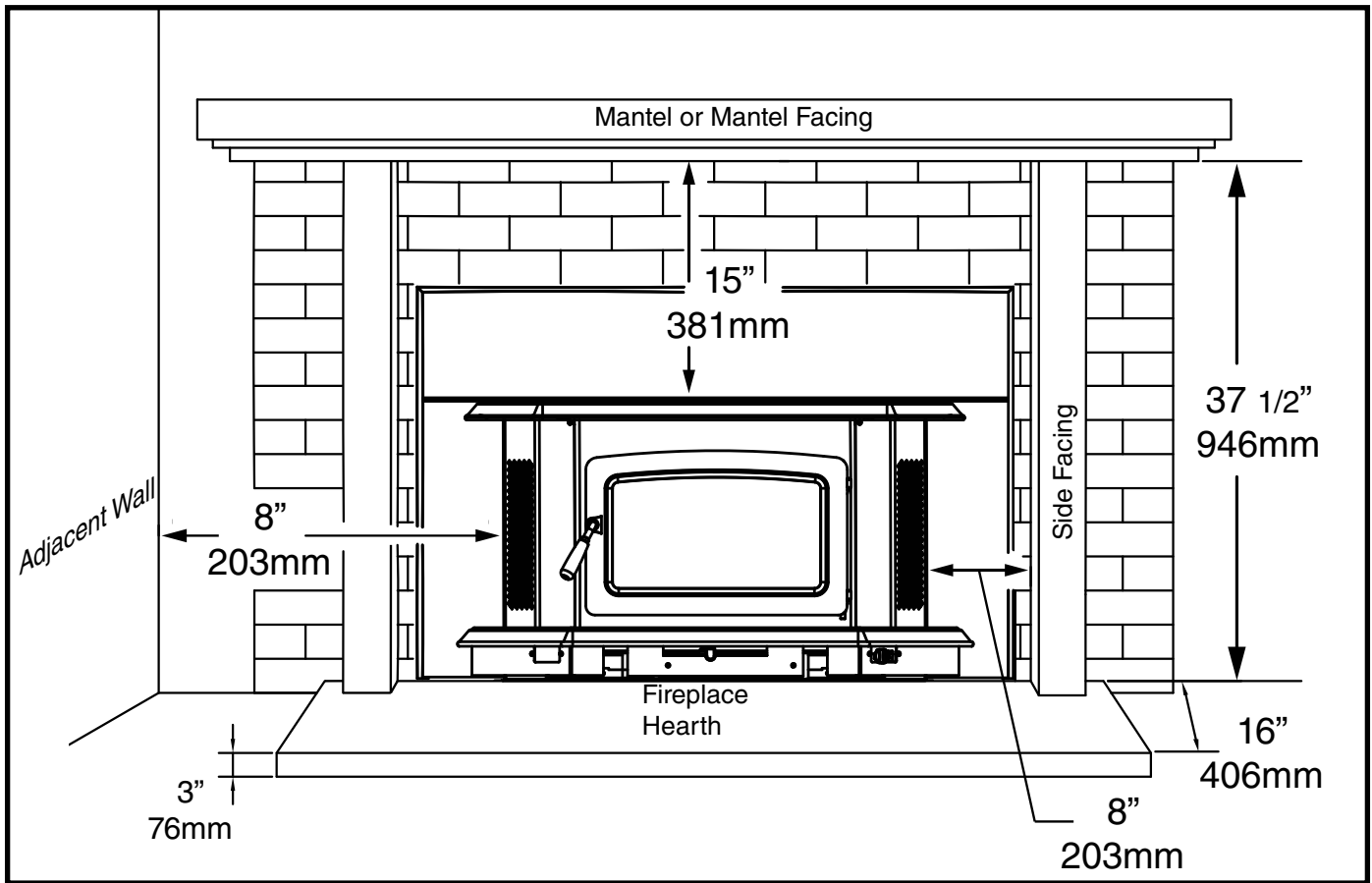


Figure 6: SUMMIT Insert LE Clearances.ai

Minimum Clearances to Combustibles (Measured From Insert Body)

Adjacent Sidewall	8 in.(203 mm.)
Side Facing (Max 1.5 in. deep).....	8 in.(203 mm.)
Mantel.....	15 in.(381 mm.)
Mantel Facing.....	15 in.(381 mm.)

CAUTION: Unit hot while in operation. Parts of the appliance, especially the external surfaces, will be hot to touch when in operation. Keep children, clothing and furniture away. Contact may cause skin burns.

Installation

Your Insert is designed to be installed into a masonry wood burning fireplace. The masonry fireplace must be built according to the requirements of the Standard of Chimneys, Fireplaces, Vents and Solid Fuel Burning appliances, N.F.P.A. 211 (Latest Edition) or applicable National, Provincial, State or local codes. The installation shall conform to CAN/CSA-B365, Installation Code for Solid-Fuel-Burning Appliances and Equipment.

This Insert shall not be installed in a factory-built fireplace.

Warning: Under no circumstances is this heater to be installed in a makeshift or "temporary" manner.

DO NOT CONNECT THIS UNIT TO A CHIMNEY FLUE SERVICING ANOTHER APPLIANCE.

Fireplace Specifications

Your fireplace will require the following minimum internal sizes:

WIDTH (at front)	28 1/4" (718 mm)
WIDTH (at rear)	26 1/4" (667 mm)
HEIGHT	22 1/2" (572 mm)
DEPTH	19" (483 mm)

Chimney height 15' (minimum).

A metal tag is provided and is to be fastened to the back wall of the fireplace, if the fireplace has been modified to accommodate the insert.

The fireplace and chimney system must be suitable for wood burning use. Check for creosote build up or other obstructions. **Have the chimney swept and inspected.** Inspect your fireplace for cracks, loose mortar or other physical defects. If repairs are required, they should be completed before installing your insert.

We recommend that our products be installed and/or serviced by professionals who are certified by a "Qualified agency";

**NFI (National Fireplace Institute®) in the United States,
CSIA (Chimney Safety Institute of America) in the United States and Canada,
WETT (Wood Energy Technology Transfer) in Canada or
APC (Association des Professionnels du Chauffage) in Quebec**



Into a Masonry Fireplace

The existing fireplace damper is to be locked open or removed completely.

WARNING: Do not remove bricks or mortar from your existing fireplace.

Exception: Masonry or steel, including the damper plate, may be removed from the smoke shelf and adjacent damper frame if necessary to accommodate a chimney liner, provided that their removal will not weaken the structure of the fireplace and chimney, and will not reduce protection for combustible materials to less than that required by the National Building Code.

The Insert must be installed in accordance with local and or national building codes.

Full Flue Liner - (Required in Canada)

Full Flue Liner: a stainless steel rigid or flexible liner extends from the Insert flue collar to the top of the chimney.

In Canada, this Fireplace Insert must be installed with a continuous chimney liner of 6 inch diameter extending from the Fireplace Insert to the top of the chimney. The chimney liner must conform to the class III requirements of CAN/ULC-S365, Standard for Lining Systems for Existing Masonry or Factory-Built Chimneys and Vents, or CAN/ULC-S640, Standard for Lining Systems for New Masonry Chimneys.

1. Measure the chimney height from the top of the existing Chimney flue to the floor of the hearth. This will allow extra length of liner for flashing and rain cap.
2. Feed the stainless steel liner from top of the chimney, through the damper area and into the fireplace cavity. Attach a "stove to liner" adapter to the bottom of the liner as per the manufacturer's instructions.
3. Remove the flue collar from its box packed in the stove. Attach the Flue Collar to the adapter and secure with three Stainless screws. Caulk around connections with high temp stove cement. Ensure the gasket is in good working shape.
4. Remove both the right & left blower covers. Remove the Torx screw on each side, located in the top rear corner. Lift up and pull the covers towards you, to release the tabs.
5. Remove the Cast Top by loosening the two wing bolts and pulling toward you. Remove the Baffle.
6. Push unit into the fireplace. Use the front or rear adjustment legs, level the insert depending on your hearth configuration. (NOTE: Adjustment legs are located in the bottom, front and rear of the insert).
7. Reach through the flue opening and pull down on the Flue Collar with the tool provided until the bolts pass through the flue opening. Install the clamps and nuts. center the collar on the opening and tighten the nuts while holding the collar in place.
8. Measure, trim and shape a Chimney top flashing to fit the existing chimney flue. Plan for a 1" to 1-1/2" overlap on each side. Place flashing over top of the liner and seat firmly against the flue tile.
9. Attach a rain cap to the end of the liner. A storm collar may be used if desired.
10. Install the surround See "Surround Assembly and Installation" on page 20, Re-Install the top and Blower covers in the reverse order they were removed.

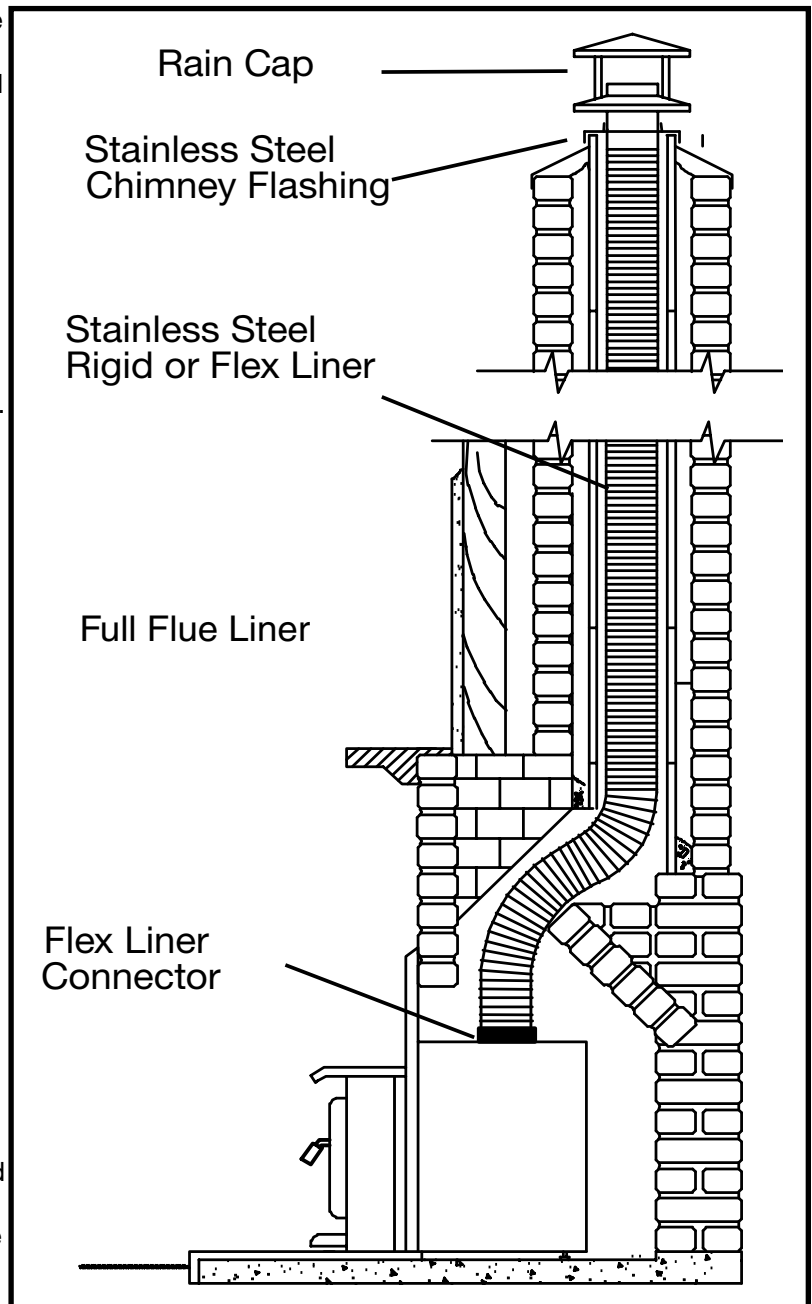


Figure 7: Full flue liner.

Direct Flue Connection (USA only)

Pacific Energy highly recommends the use of a full liner as the safest installation and to provide optimum performance. When connected to a full liner, the Insert is able to draft correctly and will prevent problems such as difficult start-ups and smoking out the door.

A stainless steel rigid or flexible liner that meets the HT requirements of UL 1777 extends from the Insert flue collar into the first masonry chimney flue liner. A seal must be provided in the throat.

Note: A clean-out door may be required under local codes, when a direct flue connection is used. Consult local codes.

1. Measure from the top of the first chimney flue liner tile to the top of the Insert. Allow extra length of liner to insert into flue tile.
2. Feed the stainless steel liner through the damper area and into the first chimney flue tile.
3. Follow steps 2-9 on the previous page.

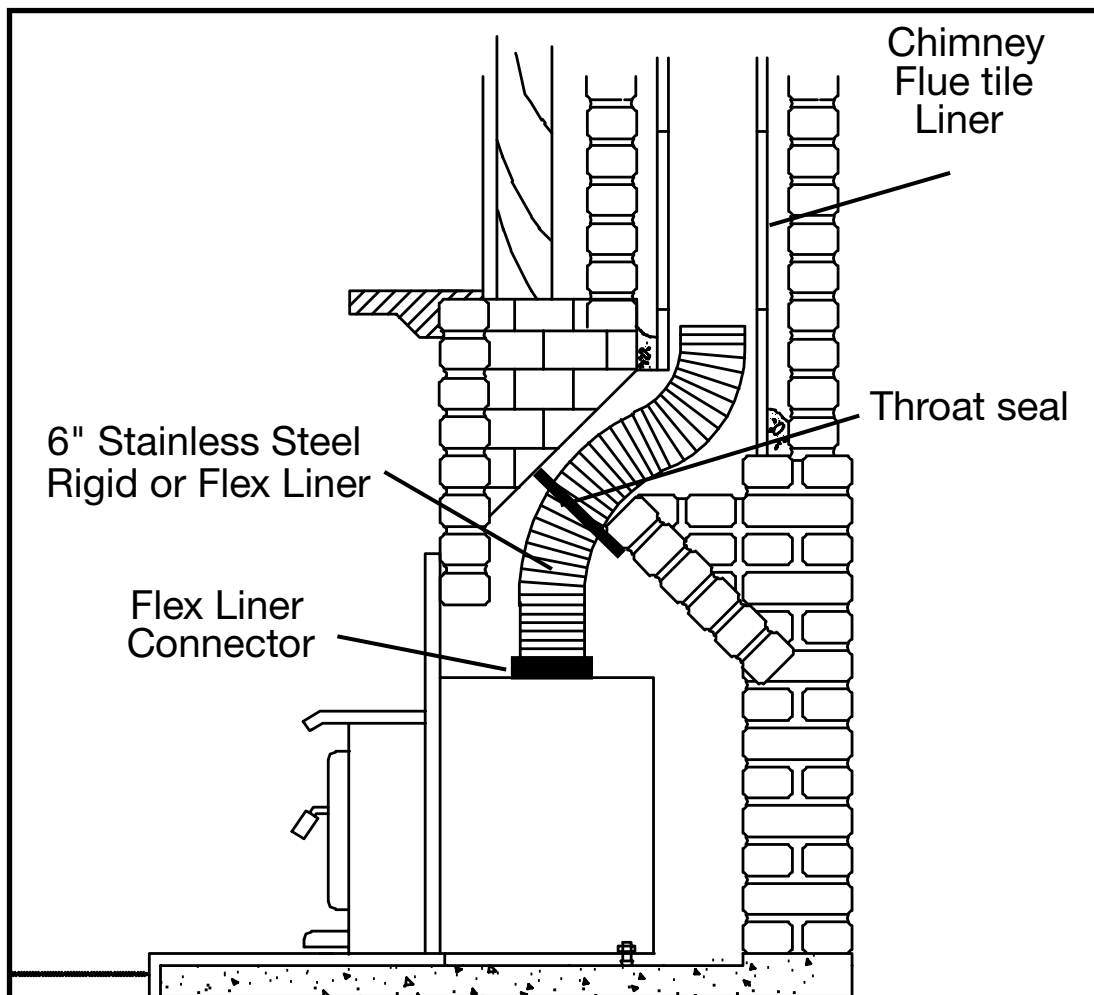


Figure 8: Direct flue connection.

Into a Factory Built Fireplace

Your Insert may be installed into a factory built fireplace (size permitting) with the following requirements:

1. Inspect your fireplace for damage or other physical defects. The fireplace must be in good working condition. If in doubt about its condition, seek professional advice. Check for creosote build up or other obstructions inside the chimney, especially if it has not been in use for some time. Before installing, clean your chimney system thoroughly.
2. A full stainless steel rigid or flexible flue liner meeting type HT requirements (2100°F) per UL1777 (U.S.) or ULC S635 (Canada) must be used for both safety and performance. The liner must be securely attached to the Insert flue collar and the chimney top.
3. The surround must be sealed to the fireplace front or the damper area around the chimney liner must be sealed to prevent room air entering the chimney cavity of the fireplace.
4. The air flow within and around the fireplace must not be altered by the installation of the Insert (i.e. no blockage of louvers or cooling air inlet or outlet ports). This includes the circulating air chambers in a steel fireplace or metal heat circulator.
5. Alteration of the fireplace in any manner is not permitted with the following exceptions:
 - External trim pieces which do not affect the operation of the fireplace may be removed and stored on or within the fireplace for re-assembly if the Insert is removed.

Combustion Air The damper may be removed to install the liner.

Consult local building codes regarding combustion air supply. Intake or combustion air can be supplied to the Insert in one of two ways:

1. Outside air supply: Remove the cover from ash clean out in your existing fireplace. Place a rodent screen in place of the cover. Install the Insert as described in the "Installation" section, making sure not to cover the opening of the air inlet. When installation is complete, seal surround to fireplace and anywhere else air may enter. This will ensure combustion air is drawn from outside the house and into the intake at the lower rear of the appliance.
2. Room air supply: Remove the two screws securing the center cover under the ashlip. Remove the screw in the cover box front and slide the cover box out and discard. Replace the center cover and tighten screws (Figure 9). Combustion Air will be drawn from the room through the front of the unit.

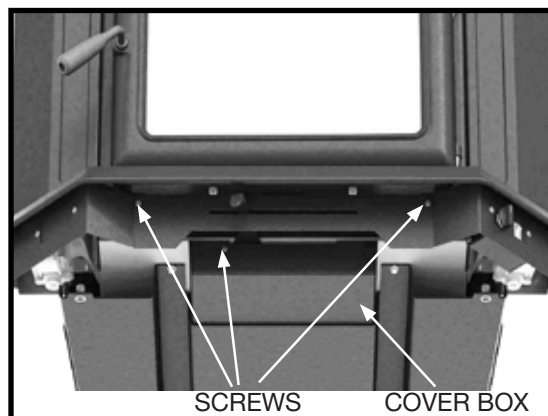


Figure 9: Room air cover.

Electrical Supply

Circulating air blowers electrical rating; 120V, 60 Hz, 1.2 A. For your protection against shock hazard, use only a properly grounded outlet that will accept a three-pronged plug. Do not cut or remove the grounding prong. Do not route power cord under unit. Power cord must be routed to avoid contact with any hot or sharp surfaces.

Consult local codes or, in the absence of local codes, with the current CSA C22.2 Canadian Electrical Code and in the USA with the National Electrical Code, ANSI/NFPA 70 (latest edition).

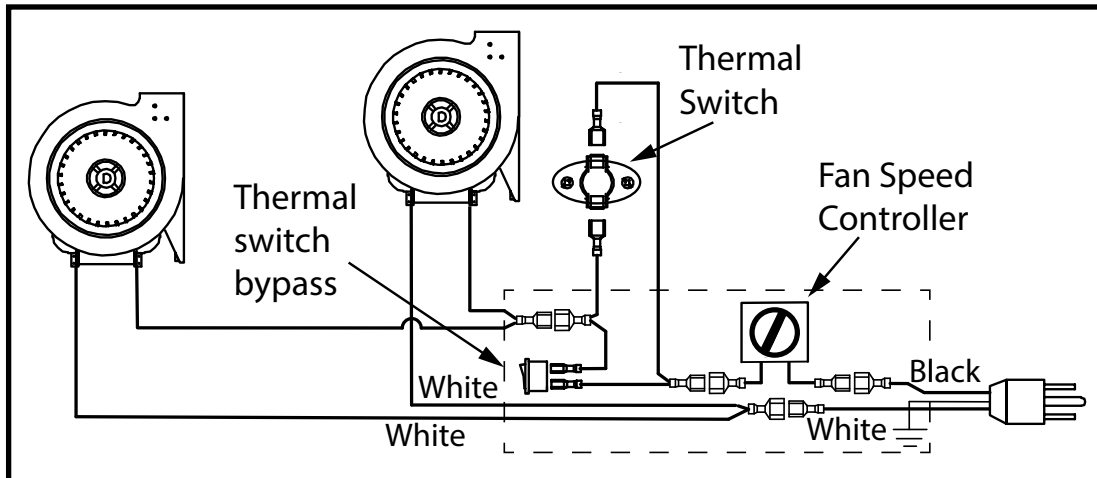


Figure 10: Wiring Diagram - Insert LE.

Fan Cover Removal

1. Remove the left and right front Fan Cover panels by removing the screw located at the top back corner (Figure 11).
2. Lift up on the panel to release the catches and pull towards you. Lift the cover up, and under the Top and then pull out from the bottom to remove it (Figure 12).

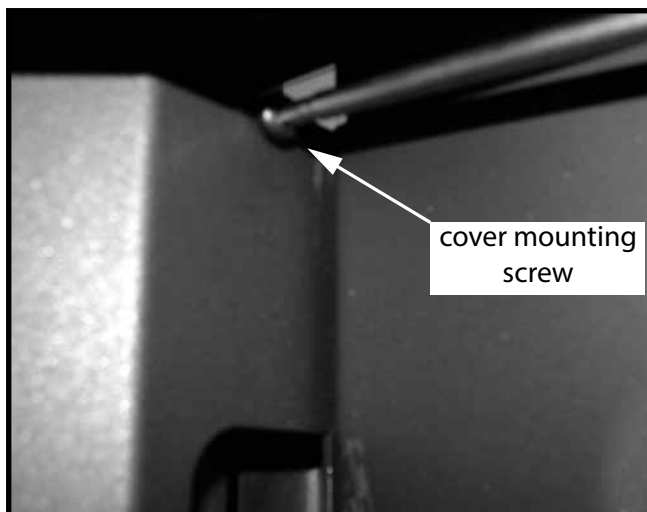


Figure 11: Front cover screw location.



Figure 12: Panel removal.

Surround Assembly and Installation

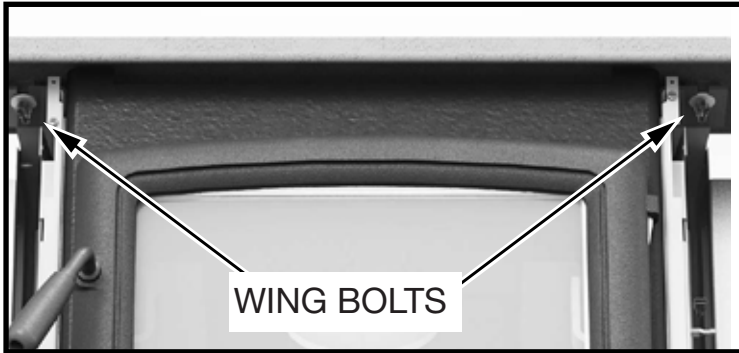


Figure 13: Wing bolts.

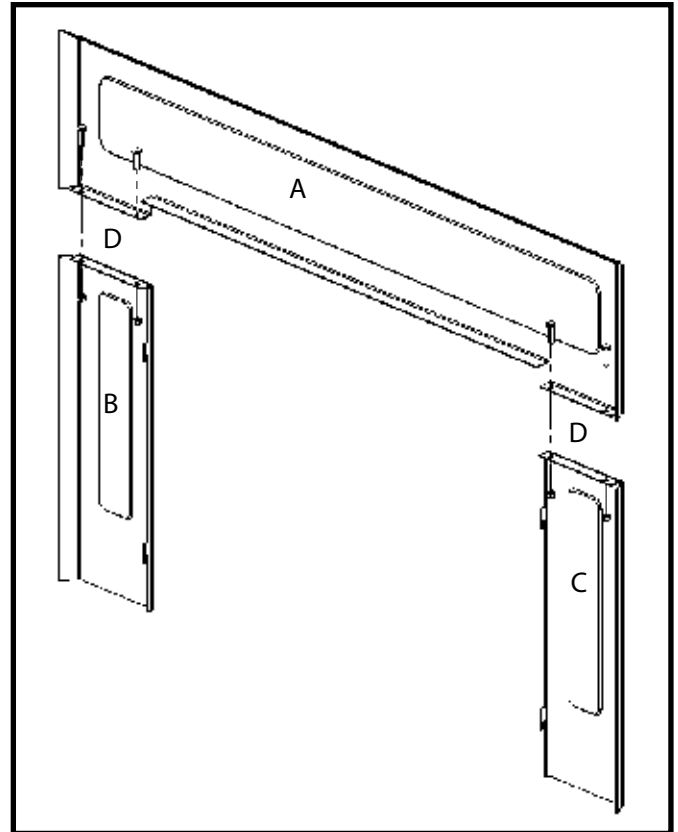


Figure 14: Surround assy.

1. Remove the Fan Covers - See "Fan Cover Removal" on page 19
2. Remove the decorative top by loosening the two wing bolts located underneath. Pull the top towards you to slide it out of its brackets (Figure 13).
3. Carefully unpack the Surround. Lay parts A, B and C face down on a flat, non-marring surface.
4. Fasten the panels together with 1/4" x 1/2" bolts and nuts provided through holes at points "D" (Figure 14).
5. Lift the surround assembly to the upright position and make sure the front face is flat and even at the joints and sides.
6. Carefully slide the assembled surround over the unit and behind the ash shelf, engage the tabs on the back, inside of the surround into the slots in surround brackets.
7. Push the entire appliance back until the surround assembly is in contact with the fireplace face.
8. Re-install the decorative top by aligning the wing bolts in the slots and pushing it back gently against the surround. Tighten the Wing Bolts.
9. Install the Fan Cover panels, the rear tabs use the same slots as the surround.

Fan Speed Controller Relocation

The fan speed controller is factory installed under the ash lip on the right hand side. If required, it can be relocated to the left side by following the instructions below. To make this as easy as possible, it is suggested that this be done prior to fitting the surround and installation into the fireplace:



Figure 15: Disconnecting fan wires.



Figure 16: Disconnecting thermal switch.

1. Remove the left and right front Fan Cover panels by removing the screw located at the top back corner. Lift up on the panel to release the catches and pull towards you. Lift the cover up under the Top and then out from the bottom to remove it (Figure 12 on page 19). Set the covers aside to prevent damage.
2. Disconnect the wires from the fans (LHS & RHS) and thermal snap switch (Figure 15 and Figure 16). Take note of where the wires are routed and secured. They must be positioned correctly to avoid damage.
3. Remove the lower front cover. Loosen the two bolts that secure the ash lip to the firebox (Figure 18), carefully lift up the ash lip and remove from the firebox and unscrew the wire support tabs (Figure 19) noting how the wire are held in place.
4. Remove the two screws securing the speed controls assembly to the ash lip (Figure 17). The cover plate on the opposite side can also be removed at this time.

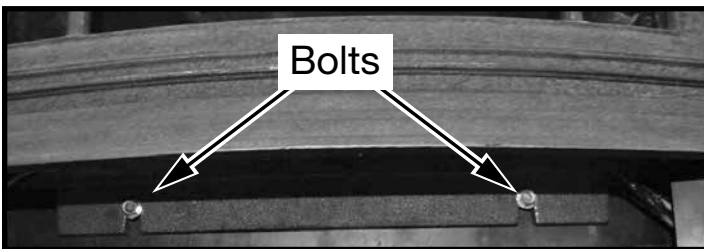


Figure 18: Bolts securing ash lip to firebox.

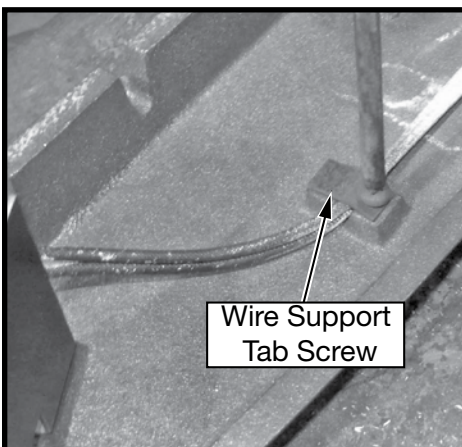


Figure 19: Wire Guides.

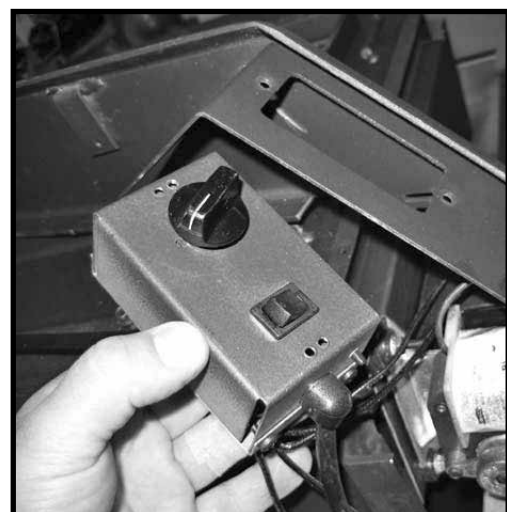


Figure 17: Removing speed control assembly.



Figure 20: Reinstalling the Speed control assy.

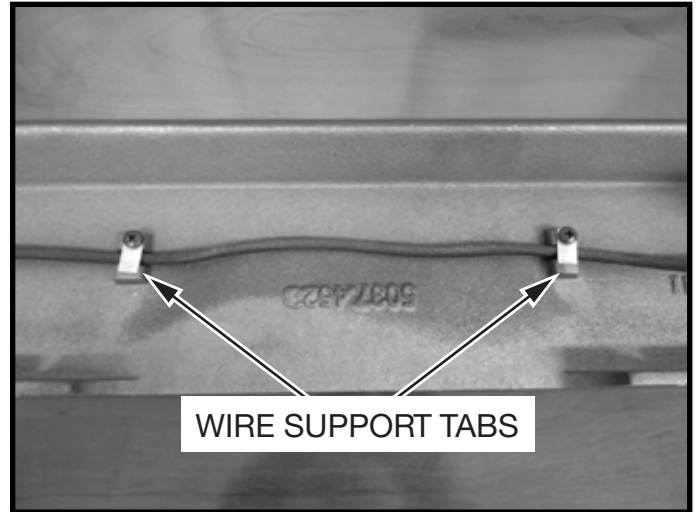


Figure 21: Wire support tabs.

5. Remove the control assembly from the right hand side of the ashlip. Flip it over with the power cord towards the edge of the stove, and reattach on the left hand side of the ashlip (Figure 20). Use the upper screw holes for best alignment.
6. Route the cable from the speed control box to far fan and re-attach the wire support tabs on the underside of the ash lip. Note the wire positions (Figure 21) and be careful not pinch the wires.
7. Remove the Thermal Switch from right hand fan mounting bracket (Figure 22) and relocate to left hand fan mounting bracket (Figure 23).
8. Reconnect the wires to the fans (Figure 15) and thermal snap switch (Figure 16), refit ash lip, sides and top. Ensure that the power cable is correctly routed through the surround and it is not touching the firebox side. Wire placement is important to prevent damage to wires.



Figure 22: Removing thermal switch.



Figure 23: Relocating thermal switch to left side.

Troubleshooting

Problem	Cause	Cure
Glass is Dirty	<ol style="list-style-type: none">1. Wood is wet2. Turning down air control or damper too soon3. Draft too low - Chimney plugged or restricted.4. Door gasket leakage	<ul style="list-style-type: none">- Use dry wood- Do not turn down until<ol style="list-style-type: none">a) there is a good bed of coalsb) the wood is charred- Improper chimney height and / or diameter- Inspect and clean- Provide outside air for combustion- Replace gasket- Check latch
Excessive Creosote Buildup - See 1,2,3, above.		
Low Heat Output	<ol style="list-style-type: none">1. Wood is wet2. Fire too small3. Draft too low	<ul style="list-style-type: none">- Use dry wood- Build a larger fire- Chimney plugged or restricted, inspect and clean
Won't Burn Overnight	<ol style="list-style-type: none">1. Air control is set too high2. Not enough wood3. Draft too high4. Door gasket leaking	<ul style="list-style-type: none">- Set control lower- Unsplit wood is preferred for overnight burns- Excessive chimney height and/ or diameter- Replace door gasket.
Stove Won't Burn	<ol style="list-style-type: none">1. Combustion air supply blocked2. Draft too low	<ul style="list-style-type: none">- Check outside air supply for obstruction- Check that room air cover is removed- Chimney plugged or restricted, inspect and clean- Chimney oversized or otherwise unsuitable,- Consult Dealer

Firebrick Installation

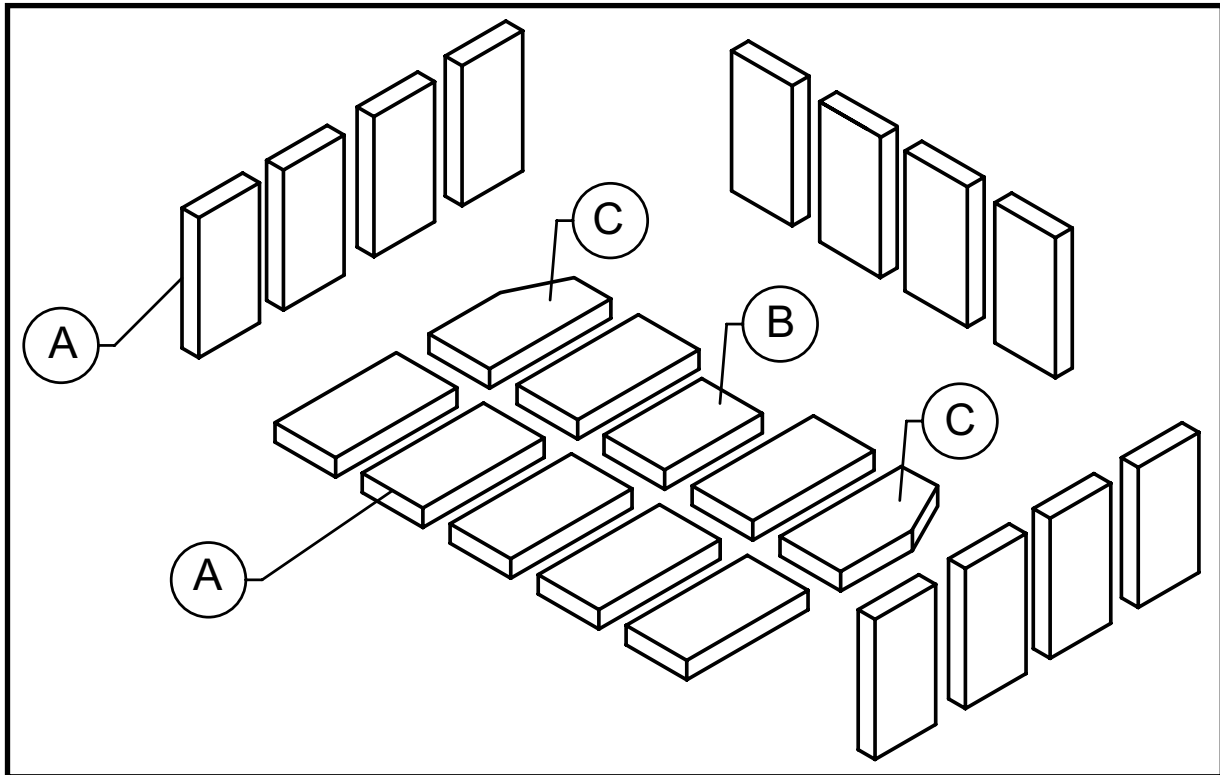


Figure 24: Summit Insert LE Brick Pack.

ITEM	SIZE
A	19pcs.9" X 4 1/2" X 1 1/4"
B	1pc.7 1/4" X 4 1/2" X 1 1/4"
B	2pcs.9" X 4 1/2" X 1 1/4" with Corner Cut

Note: There will be extra bricks due to the "Brick Pack" being universal to several models of the Summit line of woodstoves.

1. Begin by placing a "C" brick onto the left and right, rear corners of the firebox floor. Continue by placing sn "A" brick next to them, then the short "B" brick in the center up against the baffle tube (Figure 25).
2. Eliminate any gaps between the bricks by shifting the bricks in toward the center of the firebox.
3. Place five full bricks along the front row; Eliminating any gaps between the bricks by shifting the bricks towards the center of the firebox (Figure 26).

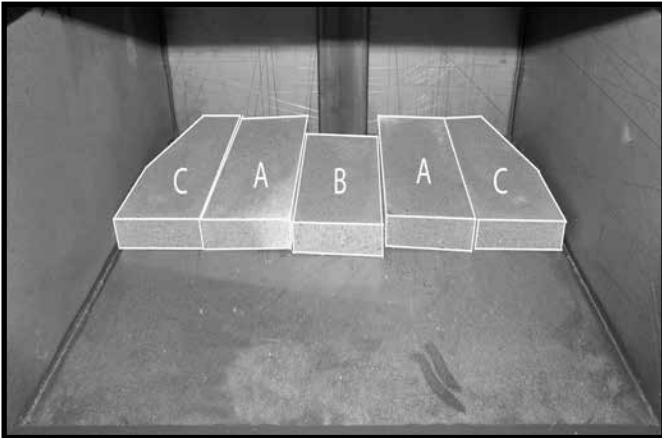


Figure 25: Back row of bricks Summit Insert LE.

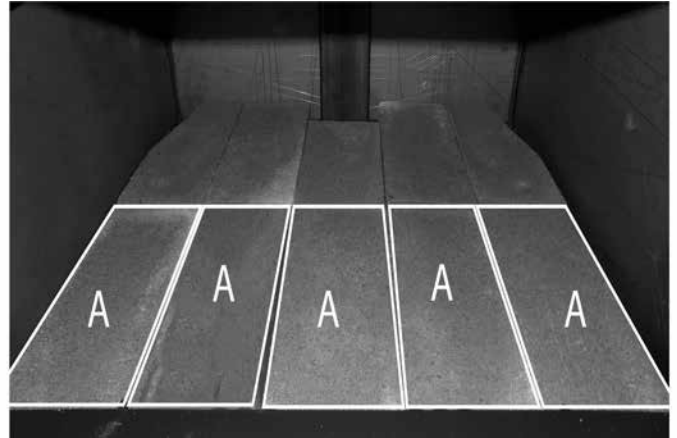


Figure 26: Floor bricks - Summit Insert LE.

4. Slip 4 "A" bricks up behind the two protruding brick rail tabs along the rear wall (Figure 27). Eliminate any gaps between the bricks by shifting the bricks in toward the baffle tube.
5. Place 2 "A" bricks along one of the side walls by slipping them up under the side brick rail tabs (Figure 28) and pushing to the rear, past the back brick. Place two more "A" bricks in the remaining opening at the front of the firebox and eliminate any gaps between the bricks by shifting the bricks toward the rear wall.

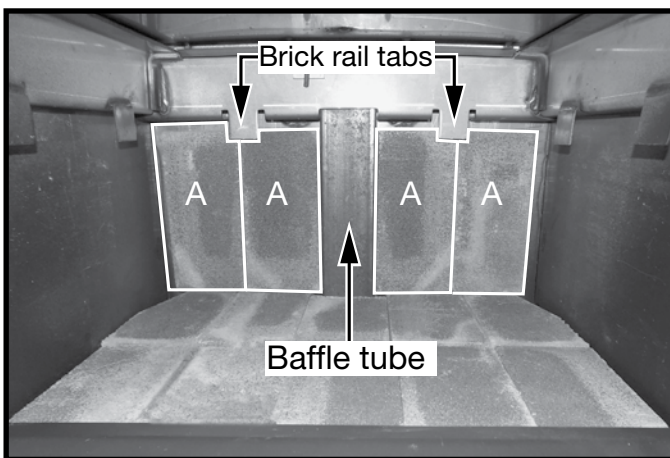


Figure 27: Rear wall bricks - Summit Ins LE.

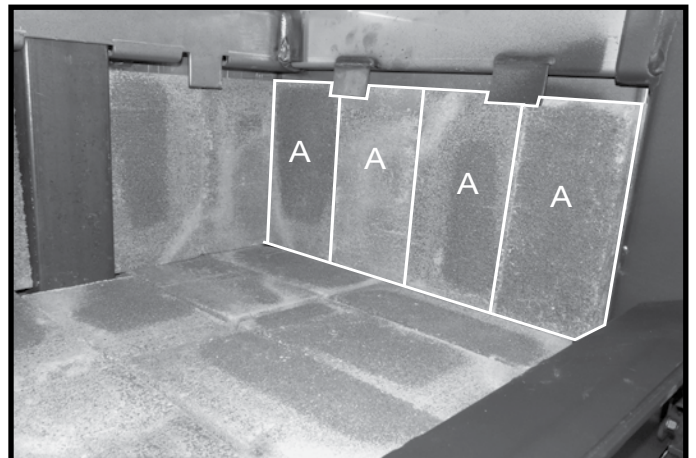


Figure 28: Side wall brick - Summit Ins LE.

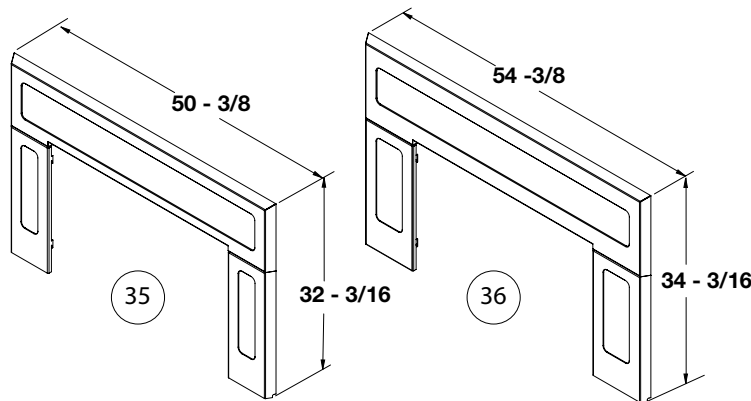
6. Complete the brick installation by repeating step 5 on the opposite side wall.

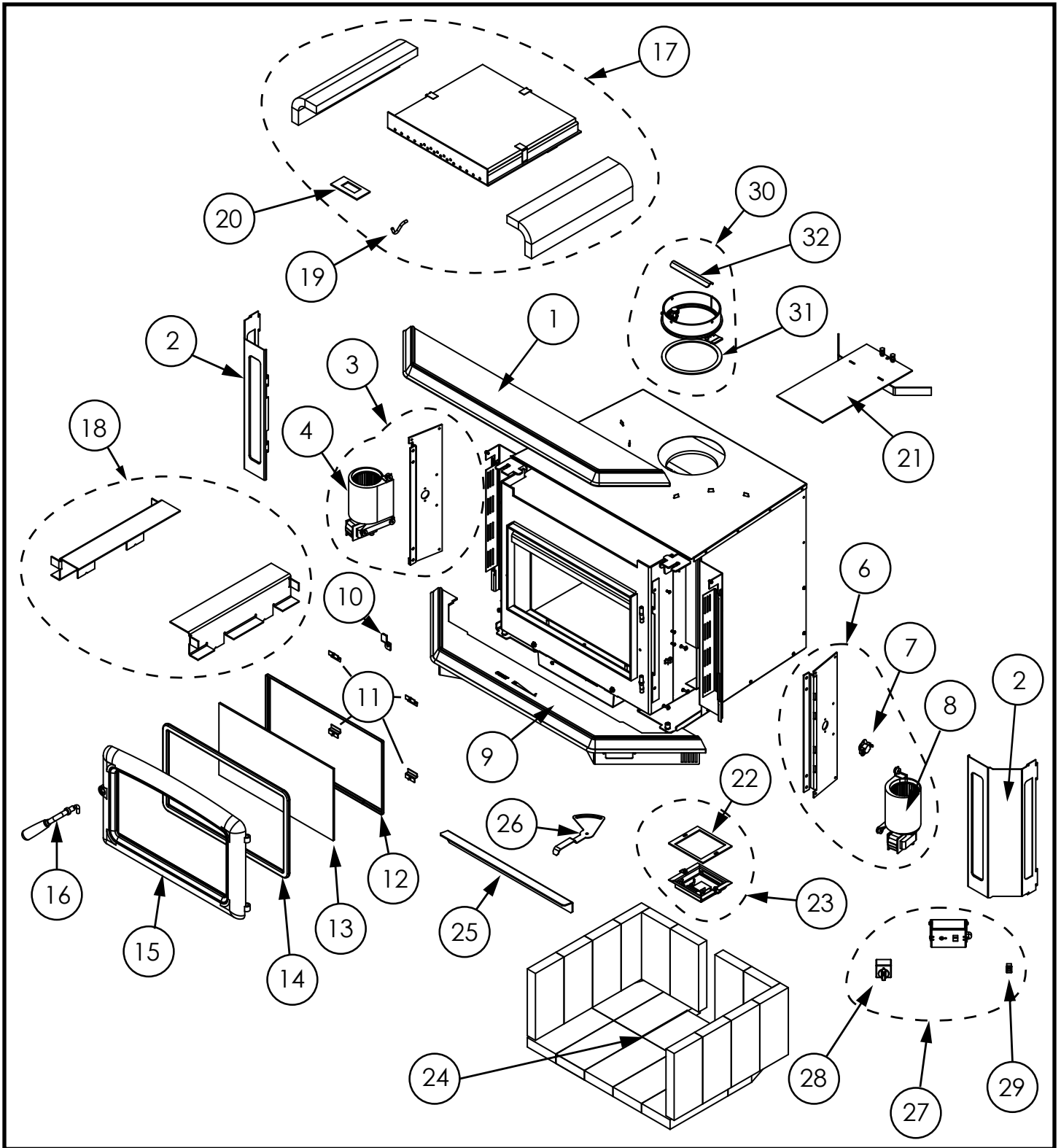
Parts Diagram

(WHEN ORDERING, INCLUDE PART NUMBER WITH DESCRIPTION)

ITEM.....DESCRIPTION..... PART #

1.....	Bay Top, Cast, Summit Insert, (c/w Washers and Nuts).....	80000334
2.....	Fan Cover, Summit Insert LE.....	80002258
3.....	Blower Assy, c/w brackets, Latch Side,	80002257
4.....	Blower Only, Latch Side	80000904
6.....	Blower Assy, c/w brackets, Hinge Side,.....	80002256
7.....	Switch, Fan, 120-10, Air Mount.....	80001814
8.....	Blower Only, Hinge Side	80000905
9.....	Ash Lip, c/w Wire Covers, Cast.....	80000333
10.....	Door, Catch (c/w Bolt).....	80000655
11.....	Clamps, Wood, Glass (4 pc.).....	80000369
12.....	Glass Frame, Summit (2 pc.).....	80000399
13.....	Glass, Summit, (c/w Tape).....	80000159
14.....	Gasket, DR46, Door, 7/8" x 5.5'	80000158
15.....	Door, Casting Only, DR46, Met Black.....	80000146
.....	Door, Casting Only, DR46, Nickel	80000780
.....	Door, Casting Only, DR46, Brushed Ni.....	80002219
16.....	Handle, Door.....	80000660
17.....	Baffle Kit, Summit LE.....	80002220
18.....	Brick Rails, Summit LE, (2pc)	80002221
19.....	Baffle, Pins, 10 pack	80000364
20.....	Gasket, 2" Baffle Tube, 10 pack.....	80000365
21.....	Flame Shield,	80000321
22.....	Gasket, Air Control, Secondary	80002222
23.....	Air Control, Secondary, (c/w Gasket).....	80000841
24.....	Firebrick Set, Summit	80002223
25.....	Manifold, Boost, Summit LE.....	80002224
26.....	Air Control, Primary (c/w Spring, Washer and Cap)	80002215
27.....	Blower, Control Box.....	80000355
28.....	Switch, Rheostat	80000908
29.....	Switch, Rocker, SPST On/Off.....	80001513
30.....	Collar, Removable, c/w Harware	80000665
31.....	Gasket, Removable Collar	80001983
32.....	Handle, Removable Collar	80000254
35.....	Surround, Summit Insert, Regular, Met Black	11250028
36.....	Surround, Summit Insert, Over Sized, Met Black.....	11250030





All parts may be ordered from your nearest Pacific Energy dealer. Contact Pacific Energy for the location of the dealer nearest you.

© 2023 Copyright Pacific Energy Fireplace Products LTD.
Reproduction, adaptation, or translation
without prior written permission is prohibited
except as allowed under the copyright laws.



For Technical Support please contact your dealer

**Web site: <http://www.pacificenergy.net>
2975 Allenby Rd., Duncan, B.C. V9L 6V8**