



EMPIRE  
STOVE

WOOD STOVE

## Gateway 2300

### Features

- Simple Operation
- Easy to Maintain
- EPA 2020 Certified
- Limited Lifetime Warranty
- Multiple Design Options

### Specifications

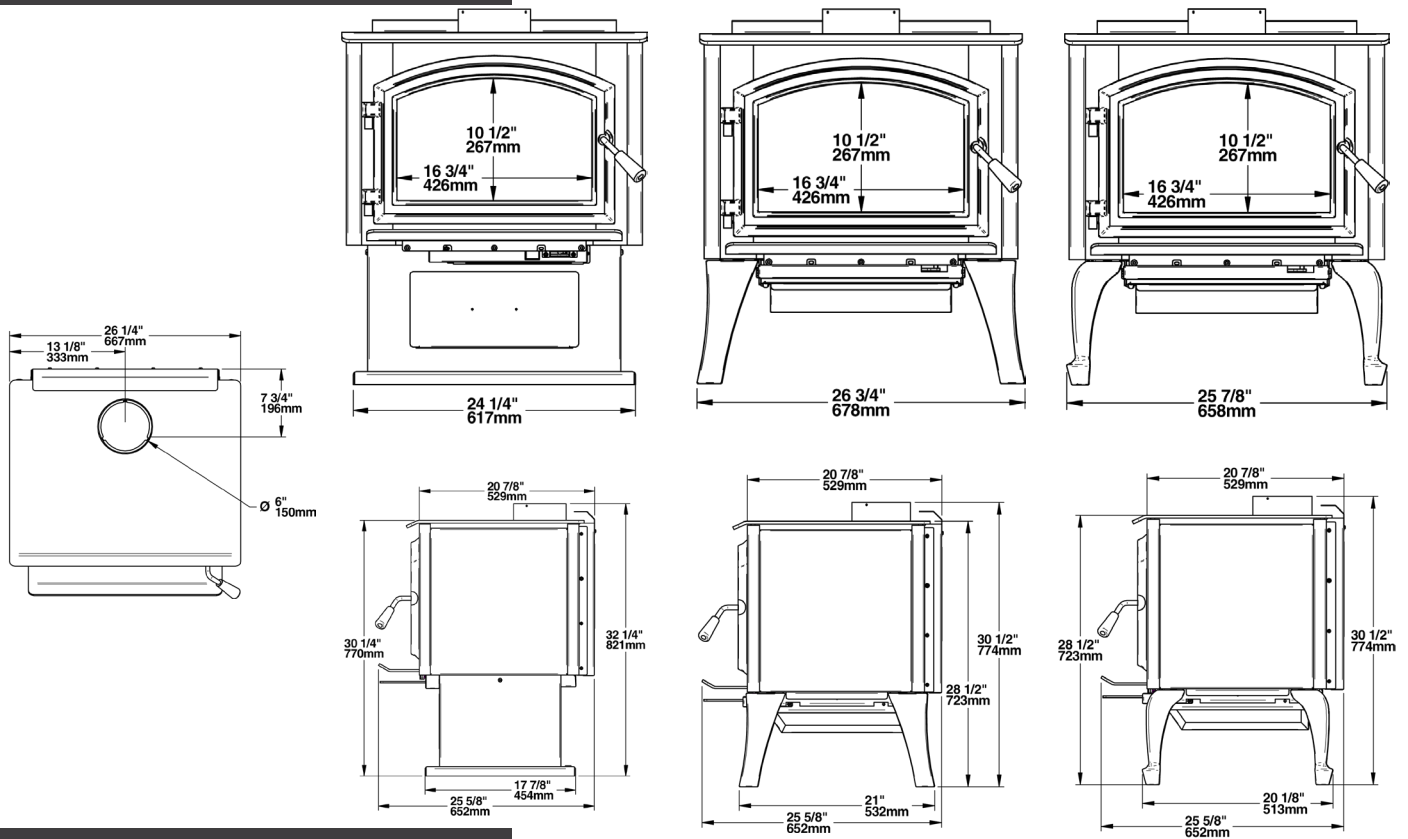
- Heating Area 500-2,100 sq. ft.
- Burn Time 8 hours
- Maximum Heat Output 75,000 BTUs
- Maximum Log Length 20 in.
- Firebox Size 2.4 cu. ft.
- Dimensions 32 1/4" H, 26 1/4" W, x 20 7/8" D

### Options & Accessories

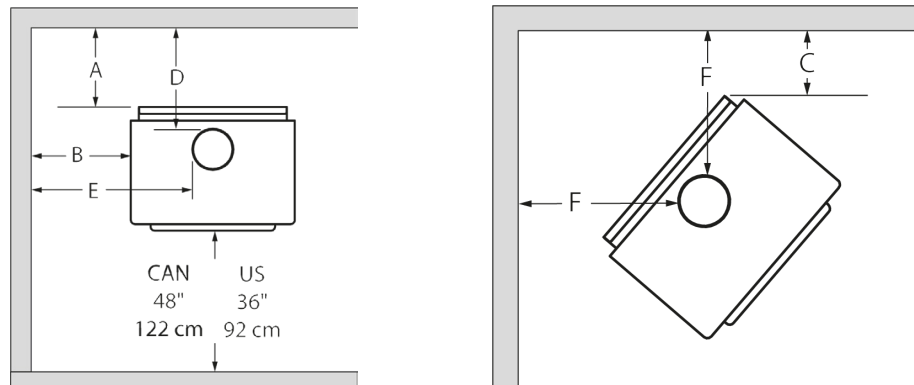
- 5 Base Options
  - Pedestal
  - Black Straight Legs
  - Nickel Straight Legs
  - Black Queen Anne Legs
  - Nickel Queen Anne Legs
- 2 Door Options
  - Nickel Door Overlay
  - Black Door Overlay
- Accessories
  - Step Top
  - Blower
  - Fresh Air Intake Kit
  - Fire Screen

# Gateway 2300

## DIMENSIONS



## CLEARANCE TO COMBUSTIBLES



## GATEWAY 2300

	A	B	C	D	E	F
US	7"	16"	7"	10 1/4"	25 1/4"	16 1/2"
Canada	7"	17"	7"	10 1/4"	26 1/4"	16 1/2"

LIMITED LIFETIME: Combustion chamber (weld only) and cast iron door frame, Ceramic Glass, Plating (manufactured defect), step top. LIMITED 7 YEAR: Surrounds, heat shields, ash drawer, pedestal, C-Cast Baffle, secondary air tubes, deflectors and supports. LIMITED 5 YEAR: Handle assembly, glass retainers, air control mechanism, removable carbon steel combustion chamber components. LIMITED 2 YEAR: Standard and optional blower, heat sensors, switches, rheostat, wiring and electronics. LIMITED 1 YEAR: Paint peeling, gaskets, insulation, ceramic fiber blankets, fire bricks and other options. LIMITED 90 DAY: All parts replaced under warranty.



info@empirestove.com