

Features

Zero clearance to combustibles

Frameless window design

EXEMPLAR / PROUDLY HANDCRAFTED IN NORTH AMERICA

EXEMPLAR

MULTI SIDED

PREMIUM PIER

EXEMPLAR RP424 CONTEMPORARY

Standard

Concealed burner

Halogen uplighting

Reflective firebox liner

Speckled stones or glass media

Options

Driftwood logset

Remote control on/off

EXEMPLAR POWER VENTS

Wall Mount

PVHEX58-300

PVHEXD-300

Flush Wall Mount

PVHFL58-300

Roof Mount

PVVEX58-300

RP424

PIER
POWER VENTED

QUICK DIMENSIONS

| RP424 | UNIT | FRAM. |
|---------|---------|-------|
| F.WIDTH | 66½ | 68½ |
| B.WIDTH | 66½ | 24 |
| HEIGHT | 53 | 53 |
| DEPTH | 24 | 24 |
| VIEWING | 24 × 48 | |

BTU LISTING

RP424PFN / 45,000

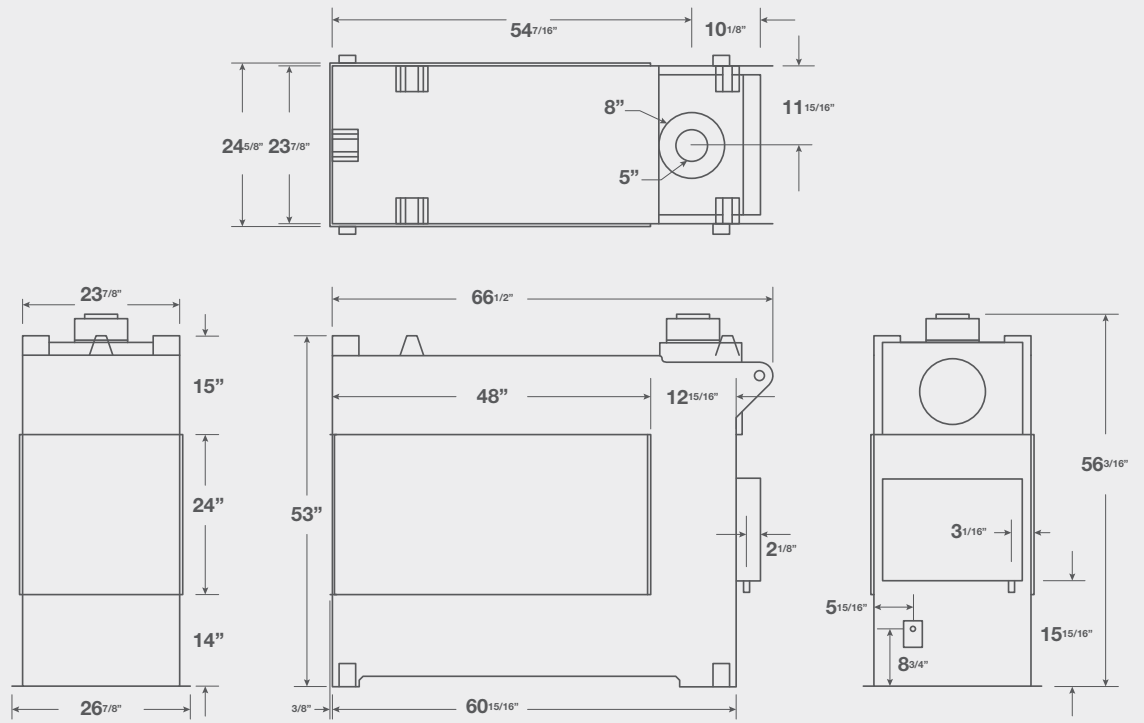
RP424PFL / 45,000

MONTIGO / EXEMPLAR / RP424PFN / DRIFTWOOD SPECKLED STONES





EXEMPLAR DIMENSIONS



OPTIONS & FEATURES



REMOTE ON/OFF
RXM40VAC

Unit Specifications

ICON LEGEND

| | | | |
|-----------|---|---------------|---|
| AVAILABLE | + | NOT AVAILABLE | - |
| DEDICATED | ◊ | STANDARD | ◦ |

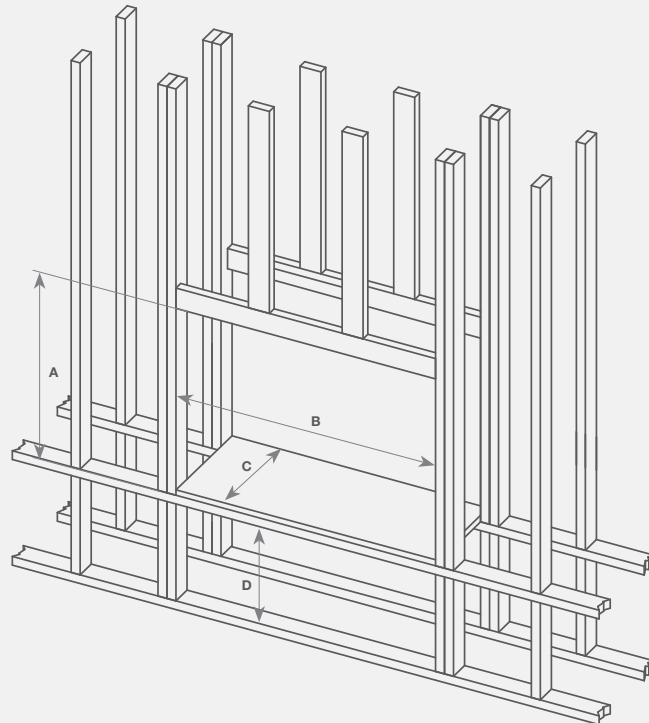
| | BTU NATURAL GAS | BTU LIQUID PROPANE | VENTING | CLEARANCE TOP - REAR VENT | CLEARANCE TOP - TOP VENT | CLEARANCE SIDES | CLEARANCE BACK | CLEARANCE FLOOR | FRONT VIEWING AREA | STANDARD MEDIA | FRONT GLASS TYPE | MICRO MESH SCREEN | POWERVENT | REMOTE CONTROL | FANS | UPLIGHTING | DOWNLIGHTING |
|--------|-----------------|--------------------|---------|---------------------------|--------------------------|-----------------|----------------|-----------------|--------------------|----------------|------------------|-------------------|-----------|----------------|------|------------|--------------|
| R320 | 50,000 | 40,000 | 5"8" | 24 | 24 | 6 | 2 | 0 | 37¼ × 16½ | HW1157 | HIGH TEMPERATURE | ◦ | ◊ | - | - | - | - |
| R420 | 65,000 | 55,000 | 5"8" | 24 | 24 | 6 | 2 | 0 | 49¼ × 16½ | HW1157 | HIGH TEMPERATURE | ◦ | ◊ | - | - | - | - |
| R520 | 80,000 | 65,000 | 5"10" | 24 | 24 | 6 | 2 | 0 | 61¼ × 18½ | HW1157 | HIGH TEMPERATURE | ◦ | ◊ | - | - | - | - |
| R620ST | 100,000 | 100,000 | 5"10" | 26 | 26 | 3 | 2 | 0 | 85¼ × 18½ | HW1157 | HIGH TEMPERATURE | ◦ | ◊ | - | - | - | - |
| RP620 | 75,000 | 70,000 | 5"8" | 25¾ | 25¾ | 5½ | 4 | 0 | 73¼ × 18½ | HW1157 | HIGH TEMPERATURE | ◦ | ◊ | - | - | ◦ | - |
| R720 | 100,000 | 80,000 | 5"10" | 24 | 24 | 6 | 2 | 0 | 85¼ × 18½ | HW1157 | HIGH TEMPERATURE | ◦ | ◊ | - | - | - | - |
| R820 | 100,000 | 80,000 | 5"10" | 24 | 24 | 6 | 2 | 0 | 97¼ × 18½ | HW1157 | HIGH TEMPERATURE | ◦ | ◊ | - | - | - | - |
| R324 | 50,000 | 50,000 | N/A | 3 | 3 | ½ | N/A | 0 | 35¼ × 26¾ | HW1157 | HIGH TEMPERATURE | ◦ | ◦ | - | - | - | - |
| RP424 | 45,000 | 45,000 | 5"8" | 0 | 0 | 0 | 0 | 0 | 35¼ × 26¾ | N/A | HIGH TEMPERATURE | - | ◊ | - | - | ◦ | - |

EXEMPLAR FRAMING

| | A | B | C | D |
|-------|----|-----|------------------|---|
| R320 | 47 | 55 | 23¾ [†] | 0 |
| R420 | 47 | 67 | 23¾ [†] | 0 |
| R520 | 45 | 77 | 23¾ [†] | 0 |
| RP620 | 54 | 96 | 26 [†] | 0 |
| R720 | 46 | 101 | 23¾ [†] | 0 |
| R820 | 46 | 113 | 23¾ [†] | 0 |

EXEMPLAR ST FRAMING

| | A | B | C | D |
|--------|----|----------------------------------|-----|----|
| R320ST | 47 | 56 ¹³ / ₁₆ | 23¾ | 0 |
| R324 | 48 | 49 | N/A | 10 |
| R420ST | 47 | 68 ¹³ / ₁₆ | 23¾ | 0 |
| R520ST | 47 | 80 ¹³ / ₁₆ | 23¾ | 0 |
| R620ST | 47 | 92 ¹³ / ₁₆ | 23¾ | 0 |



See instruction manual for detailed instructions

Header on edge not required if framing meets clearance to venting

[†]Dimension is to back wall or back studs