

LARGE FLUSH NEXGEN-HYBRID™ WOOD BURNING INSERTS



**THIS MODEL QUALIFIES FOR THE 30% USA TAX CREDIT
ON THE PURCHASE, VENTING AND INSTALLATION COSTS**
PLEASE CONSULT WITH YOUR TAX ADVISOR TO CONFIRM YOUR ELIGIBILITY FOR THIS TAX CREDIT

OUR CLEANEST BURNING LARGE WOOD INSERT

The Large Flush NexGen-Hybrid™ Wood Insert is a great option for those looking to upgrade their old, inefficient fireplace. It features a sleek, flush design, a big, beautiful fire viewing area, and concealed convection fans that increase the transfer and circulation of heat throughout your home.

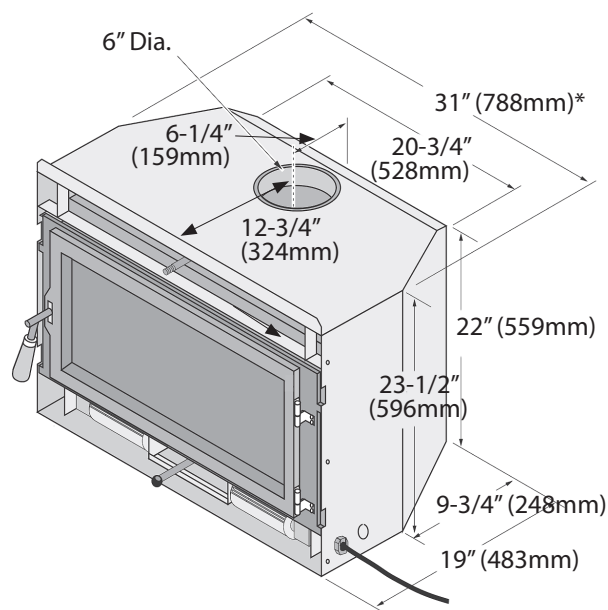
NexGen-Hybrid™ Technology provides cleaner, longer burns, higher efficiencies and more heat into your home. This makes the Large Flush NexGen-Hybrid™ Wood Insert one of the most efficient and cost effective ways to heat your home, even if the power goes out.

Here are just a few benefits you'll love about the Large Flush NexGen-Hybrid™ Wood Insert:

- Cleaner burns with lower emissions than traditional wood inserts.
- Massive 3 cubic foot firebox accommodates logs up to 24 inches long, which allows you to burn more wood efficiently and for longer burn times.
- Bypass damper helps to prevent smoke-backs during loading and reloading.
- Single operation air control gives you full range of control over the burn rate (low, medium, and high).
- Huge fire viewing area with beautiful arched and rectangular door designs.
- Optional GreenStart® Igniter makes starting your wood fires as easy as pushing a button!



Learn More About
NexGen-Hybrid™
Technology



*GreenStart® Igniter option requires additional firebox width measured 3" from front of fireplace opening.

SPECIFICATIONS

Heating Capacity*:	1,500 - 2,500 Square Feet
Cord Wood BTU's:	18,000 - 67,000
Crib Wood BTU's:	11,162 - 39,875
Emissions:	0.8 Grams/Hr. (Crib Wood)
HHV Overall Efficiency:**	Up to 77.8%
Maximum Burn Time:	Up to 12 Hours
Firebox Size:	3 Cubic Feet
Maximum Log Size:	24 Inches
Weight:	530 Pounds
Construction:	5/16" to 1/4" Steel Plate
Glass Viewing Area:	24-1/2" W x 13" H 307 Sq. In. Arch Door 319 Sq. In. Rectangular Door

* Heating capacity may vary depending on degree of home insulation, floor plan and ambient temperature zone of the area you live.

**As tested using B-415.1. HHV = High Heat Value

OPTIONS

- Insert Wiring Kit
- **GREEN START™** Igniter starts your fire with the push of a button!

RECTANGULAR DOOR FACE OPTIONS



Universal Face
Metallic Black paint finish
35-3/8" W x 26-1/4" H



Times Square™ Face
Metallic Black paint finish
37-3/4" W x 25-3/4" H



Metropolitan™ Face
Metallic Black paint finish
35-3/8" W x 26-1/4" H

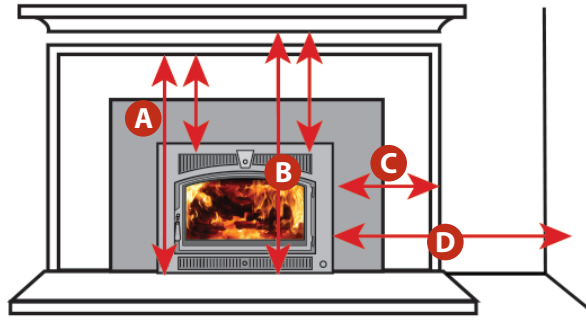


Shadowbox™ Face
Metallic Black paint finish
37-3/4" W x 25-1/8" H



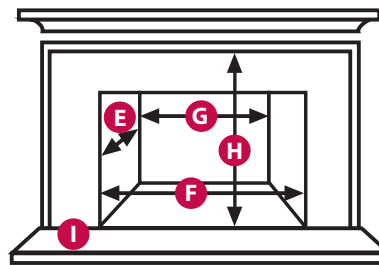
Cast Iron Boston™ Face
Metallic Black paint finish
36-1/4" W x 25" H

CLEARANCES TO UNPROTECTED COMBUSTIBLES



	Masonry	Metal (ZC)
A = Insert Base to Top Facing	37"	37"
B = Insert Base to Mantel	41"	41"
C = Firebox Side to Side Facing	5-1/2"	5-1/2"
D = Firebox Side to Side Wall	10-1/2"	10-1/2"

SIZING YOUR FIREPLACE FOR AN INSERT



Your Fireplace Measurements

E = Depth	_____
F = Front Width	_____
G = Back Width	_____
H = Height	_____
I = Hearth Depth	_____

Please use the provided chart above to mark down your fireplace dimensions. This will assist you in determining the right insert for your fireplace.

Approved ZC Fireplaces: See the Owner's Manual for details.

ARCHED DOOR FACE OPTIONS



Wilmington™ Face
Metallic Black paint finish
35-3/8" W x 26-3/8" H



Classic Arch™ Face
Metallic Black paint finish
35-1/4" W x 26-3/8" H



Artisan™ Hand-Forged, Hand Hammered Face
New Iron paint finish
35-1/4" W x 26-3/8" H
Limited to stock on hand



Cast Iron Boston™ Face
Metallic Black paint finish
36-1/4" W x 25" H