

Unit Illustrated: FDV350NE2
Direct Vent Natural Gas Stove,
F35DB Black Door and Ceramic
Glass, LOGF35 Fiber Oak Log Set.

SENTINEL

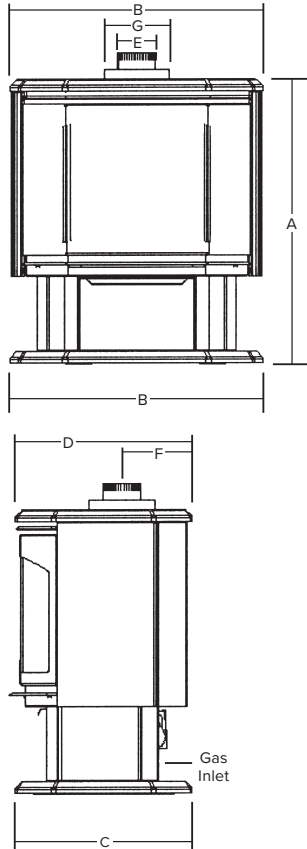
FREE STANDING DIRECT VENT GAS STOVE

 marquis
COLLECTION

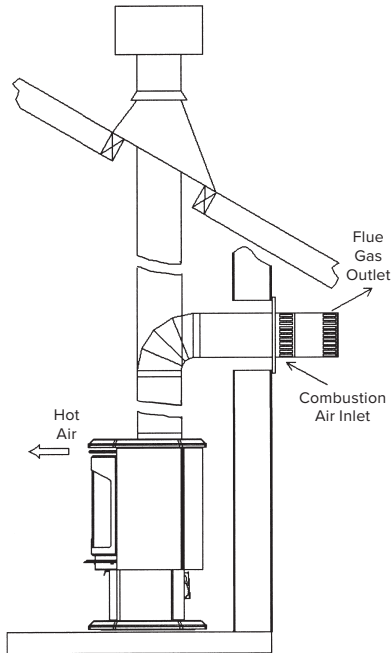
Direct Vent Free Standing Stove; a safe and efficient heating appliance with the convenience of gas. Your best choice for installation anywhere throughout your home.

DIMENSIONS AND SIZING

With a direct vent appliance you can vent either through the side wall above the unit or straight up through the roof.



- FDV350**
A 30 3/8"
B 27 5/16"
C 19 1/16"
D 19 1/16"
E 4" dia.
F 7 1/2"
G 7" dia.



Model	FDV350NE2	FDV350LPE2
Fuel	Natural	Propane
Input Max	37,000 BTU	35,000 BTU
Input Min.	29,000 BTU	27,000 BTU
FE (P.4.1-15)	67.90%	70.10%

STANDARD FEATURES

- Millivolt and IPI valve system allows operation during a power failure with Hi-Low heat and flame adjustment
- Proflame II (PF2) Models include Remote Control – Features flame, fan, thermostat and smart thermostat (WIFI Compatibility: Smartphone – local WIFI only)



- Dual burner system, with realistic flame pattern
- Heat radiating ceramic glass with panoramic view from three sides
- Mobile home approved
- Approved for installation in a bedroom or bed sitting room
- Black Louver
- Fiber Oak Log Set with embers*

OPTIONAL FEATURES

Fan Kit: Heat activated with variable speed control

Brick Refractory Liner: Traditional

B-Vent Adapter: Convert Stove to 4" B-Vent

MINIMUM CLEARANCES TO COMBUSTIBLES

- 12" from side of unit
- 3" from back of unit
- 3" from side of unit in corner

ALCOVE INSTALLATION

- 30" depth (max.)
- 55 1/2" height (min.)
- 52 1/2" width (min.)

BRICK LINER



F35RL
Traditional Brick

SAFETY SCREEN BARRIER



Find all detailed Sentinel manuals:



Marquis Fireplaces maintains a program of continuous testing, refinement and improvements of all its products. Some aspect of units shown here may be changed at any time without notice or obligation.

Certified for USA and Canada to:
ANSI Z21.88-2017 / CSA 2.33-2017, CSA 2.17-2017

*Note: Components may have to be ordered separately to create a complete unit. Discuss with your local Marquis Dealer for clarification.



FOR CALIFORNIA RESIDENTS ONLY:

WARNING! This product can expose you to chemicals including Carbon Monoxide, that is an externally vented by-product of fuel consumption, which is [are] known to the State of California to cause birth defects or other reproductive harm. For more information, visit www.P65Warnings.ca.gov.

Canada

ENERGUIDE

Look for the **EnerGuide** Gas Fireplace Energy Efficiency Rating in this brochure

Based on CSA P.4.1-15

Crafted entirely in Canada, each Marquis fireplace is built to the highest standards and made to last.



LIMITED LIFETIME WARRANTY

2340 Logan Avenue
Winnipeg, Manitoba, CAN
R2R 2V3
Phone: 204.632.1962
Fax: 204.632.1960
marquisfireplaces.net

Printed in Canada
8070 – 07/2023