

864 TV 40K

With Ember-Glo™ Lights

Installation Manual



⚠ WARNING: FIRE OR EXPLOSION HAZARD

Failure to follow safety warnings exactly could result in serious injury, death, or property damage.

- Do not store or use gasoline or other flammable vapors and liquids in the vicinity of this or any other appliance.
- **WHAT TO DO IF YOU SMELL GAS**
 - Do not try to light any appliance.
 - Do not touch any electrical switch; do not use any phone in your building.
 - Leave the building immediately
 - Immediately call your gas supplier from a neighbor's phone. Follow the gas supplier's instructions.
 - If you cannot reach your gas supplier, call the fire department.
- Installation and service must be performed by a qualified installer, service agency or the gas supplier.

! DANGER



HOT GLASS WILL CAUSE BURNS

DO NOT TOUCH GLASS UNTIL COOLED

NEVER ALLOW CHILDREN TO TOUCH GLASS

A barrier designed to reduce the risk of burns from the hot viewing glass is provided with this appliance and shall be installed for the protection of children and other at-risk individuals.



Listed by
Omni-Test Laboratories, Inc.
Report # 0028GF059S
ANSI Z21.88:19
CSA 2.33:19

- **Built-In Direct Vent Fireplace**
- **Natural Gas or Propane**
- **Residential or Mobile Home**

This appliance may be installed in an aftermarket, permanently located, manufactured home (USA only) or mobile home, where not prohibited by local codes.

This appliance is only for use with the type of gas indicated on the rating plate. A conversion kit is supplied with the appliance.

INSTALLER: Leave this manual with the appliance. French language manuals at fireplacex.com
CONSUMER: Retain this manual for future reference. Manuels de langue Française à fireplacex.com

Overview

This manual details the installation requirements for the 864 TV 40K GSR2 fireplace. For operating and maintenance instructions, refer to the 864 TV 40K GSR2 Owner's Manual.

Listing Details

This appliance was listed to ANSI Z21.88:19. The listing label is attached to the appliance near the gas control valve. A copy is shown to the right.

Massachusetts Approval

This manual has been submitted to the Massachusetts Board of State Examiners of Plumbers and Gas Fitters

National Fireplace Institute



We suggest that our gas hearth products be installed and serviced by professionals who are certified in the U.S. by the National Fireplace Institute® (NFI) as NFI Gas Specialists.



864 TV 40K / CF
Vented Gas Fireplace Heater
Le Gaz donné vent Cheminée
Appareil de chauffage
Certified for USA and Canada
Certifié pour les États-Unis et le Canada



Certified to: ANSI Z21.88:19/CSA 2.33:19 "Vented Gas Fireplace Heater", CGA 2.17-2017 "Gas Burning Heating Appliances for Manufactured Homes", and CSA P.4.1-15 Testing method for measuring annual fireplace efficiency.

This appliance must be installed in accordance with local codes, if any; if none, follow the National Fuel Gas Code, ANSI Z223.1/NFPA 54, or Natural Gas and Propane Installation Codes, CSA B149.1.

This appliance must be installed in accordance with the current Standard CAN/CSA Z240 MH, Mobile Housing, in Canada or with the Manufactured Home Construction and Safety Standard, Title 24 CFR, Part 3280, in the United States, or when such a standard is not applicable, ANSI/NCSCS A225.1/NFPA 501A, Manufactured Home Installation Standard.

This vented gas fireplace heater is equipped at the factory for use with natural gas. If conversion to propane (LP) is desired, the optional factory conversion kit must be used. Part No. 250-04749 regulator kit may be used.

This appliance is only for use with the type of gas indicated on the rating plate and may be installed in an aftermarket, permanently located, manufactured home (USA only) or mobile home, where not prohibited by local codes. See owner's manual for details. This appliance is not convertible for use with other gases, unless a certified kit is used.

This vented gas fireplace heater is not for use with air filters.

Keep burner and control compartment clean. See installation and operating instructions accompanying appliance.

THIS APPLIANCE MUST BE PROPERLY CONNECTED TO A VENTING SYSTEM IN ACCORDANCE WITH THE MANUFACTURER'S INSTALLATION INSTRUCTIONS. Use only approved coaxial direct vent system to vent this appliance to the exterior. See owner's manual for approved brands of venting.

If the vent-air intake system is disconnected for servicing or any other reason, it must be resealed and / or reinstalled.

WARNING: Improper installation, adjustment, alteration, service or maintenance can cause injury or property damage. Refer to the owner's information manual provided with this appliance. For assistance or additional information consult a qualified installer, service agency or the gas supplier.

Certifiés: ANSI Z21.88:19/CSA 2.33:19 « A Donné vent de l'Appareil de chauffage de Cheminée de Gaz », adaptateur de graphique couleur CSA 2.17-2017 « le Gaz Brûlant Appareils Chauffage pour les Maisons Fabriquées », et la méthode d'Essai de P.4.1-15 DE CSA pour l'efficacité de cheminée annuelle à mesurer.

Cet appareil doit être conformément installé aux codes locaux, si n'importe lequel; si aucun, suivre le Code de Gaz de Carburant National, ANSI Z223.1/NFPA 54, ou Gaz Naturels et les Codes d'Installation de Propane, CSA B149.1.

Cet appareil doit être conformément installé au BOITE/CSA Standard actuel Z240 MH, le Logement Mobile, au Canada ou avec les Constructions de Maison Fabriquées et la Norme de Sécurité, le Titre 24 CFR, la Partie 3280, aux États-Unis, ou quand une telle norme n'est pas applicable, ANSI/NCSCS A225.1/NFPA 501A, Norme d'Installation de Maison Fabriquée.

Ceci a donné vent de l'appareil de chauffage de cheminée de gaz est équipé à l'usine pour l'usage avec le gaz naturel. Si la conversion au propane (LP) est désirée, la trousse de conversion d'usine facultative doit être utilisée. La partie No 250-04749 régulateur peut être utilisé.

Cet appareil est seulement pour l'usage avec le type de gaz indiqué sur la plaque de classement et pourrait être installé dans une maison tiers d'une façon permanente localisée et fabriquée (USA seulement) ou la maison mobile, ou pas interdit par les codes locaux. Voir le manuel du propriétaire pour les détails. Cet appareil n'est pas convertible pour l'usage avec les autres gaz, à moins qu'une trousse certifiée est utilisée.

Ceci a donné vent de l'appareil de chauffage de cheminée de gaz n'est pas pour l'usage avec les filtres à air.

Garder le compartiment de brûleur et contrôle nettoie. Voir l'installation et les instructions opérantes qui accompagnent l'appareil.

CET APPAREIL DOIT ÊTRE CONVENABLEMENT CONNECTÉ À UN SYSTÈME DONNER VENT CONFORMÉMENT AUX INSTRUCTIONS D'INSTALLATION DU FABRICANT. Utiliser le système de conduit direct, coaxial et seulement approuvé pour donner vent cet appareil à l'extérieur. Voir le manuel du propriétaire pour les marques approuvées de donner vents.

Si le système de prise de conduit-air est débranché pour entretenir ou aucune autre raison, il doit être rescellée et / ou réinstallé.

VENTED GAS FIREPLACE HEATER NOT FOR USE WITH SOLID FUEL

Minimum Clearances to Combustibles

Fireplace to Adjacent Wall	1" (26mm)
Wood Floor Beneath Fireplace	0" (0mm)
Back to Enclosure	0.5" (13mm)
Base of Fireplace to Enclosure Top	See Owner's Manual
Sides to Enclosure	0.5" (13mm)
Base of Fireplace to a Mantel	See Owner's Manual

FAN TYPE VENTED CIRCULATOR

Blower Electrical Rating: 120V AC, 1.5 Amps, 60 Hz, 150 Watts
Part No. 250-00031 / 250-00032 fan or blower assembly may be used.
DANGER! Risk of Electric Shock. Disconnect power before servicing unit.

	PROPANE	N.G.
Input Rate on "HI" (BTU/Hr)	40,000	40,000
Input Rate on "LO" (BTU/Hr)	12,000	11,000
Orifice Size - Front (DMS)	#55	#43
Orifice Size - Rear (DMS)	#C55	#43
Minimum Inlet Pressure (inches W.C.)	11"	5.5"
Maximum Inlet Pressure (inches W.C.)	13"	7"
Manifold Pressure on "HI" (inches W.C.)	11"	3.5"

This appliance is equipped for use only at altitudes 0-2,000 feet (0-610m) in the USA. In Canada, 0-4,500 feet (0-1370m).

For altitudes above 2,000 feet, the vent configuration, orifice, or combination of both may need to be changed.

See owner's manual for information on making these changes.

WARNING: Failure to install this appliance per the manufacturer's instructions or failure to use only parts specifically approved with this appliance may result in property damage or personal injury.

MANUFACTURE DATE:

2021 Jan. Apr. Jul. Oct.
 2022 Feb. May Aug. Nov.
 2023 Mar. Jun. Sep. Dec.

CAUTION:

Do not operate this appliance with glass removed, cracked or broken. Replacement of the panel(s) should be done by a licensed or qualified service person.

L'APPAREIL DE CHAUFFAGE DONNE VENT DE CHEMINÉE DE GAZ PAS POUR L'USAGE AVEC LE COMBUSTIBLE SOLIDE

Dégagements Minimums à Combustible

La cheminée au mur adjacent	1" (26mm)
Le plancher en bois en dessous de la cheminée	0" (0mm)
De retour à la clôture	0.5" (13mm)
Base du foyer au dessus du boîtier	***
Les côtes à la clôture	0.5" (13mm)
La base de cheminée à un manteau de cheminée	***

(*** Voir le manuel du propriétaire)

VENTER LE TYPE A DONNE VENT CIRCULATEUR

La soufflerie Classement Electrique : 120V AC, 1.5 Amps, 60 Hz, 150 Watts
La partie No 250-00031 / 250-00032 assemblée de ventilateur ou soufflerie pourrait être utilisée.

¡PELIGRO! El riesgo de Descarga eléctrica. Desconecte el poder antes de atender a la unidad.

	PROPANE	G.N.
Taux d'entrée sur « HI » (BTU/Hr)	40,000	40,000
Taux d'entrée sur « LO » (BTU/Hr)	12,000	11,000
La Taille d'orifice - le Devant (DMS)	#55	#43
La Taille d'orifice - l'Arrière (DMS)	#C55	#43
La Pression minimum d'Arrivée (inches W.C.)	11"	5.5"
La Pression maximum d'Arrivée (inches W.C.)	13"	7"
Diverse Pression sur « HI » (inches W.C.)	11"	3.5"

Cet appareil est équipé pour l'usage seulement aux altitudes 0-2,000 pieds (0-610m) dans l'USA. Au Canada, 0-4,500 pieds (0-1370m).

Pour les altitudes au-dessus de 2,000 pieds, la configuration de conduit, l'orifice, ou la combinaison des deux peut avoir besoin d'être change.

Voir le manuel du propriétaire pour les informations sur faire ces changements.

AVERTISSEMENT : L'installation déplacée, l'ajustement, le changement, le service ou l'entretien peuvent causer les dommages de blessure ou propriété. Se référer au manuel d'informations du propriétaire fourni avec cet appareil. Pour obtenir de l'aide ou les informations supplémentaires consultez un programme d'installation, une agence de service ou le fournisseur de gaz qualifié.

AVERTISSEMENT : L'échec pour installer cet appareil par les instructions du fabricant ou l'échec pour utiliser seulement des parties ont approuvé en particulier avec cet appareil peut avoir pour résultat les dommages de propriété ou la blessure personnelle.

PRUDENCE:

Ne pas fonctionner cet appareil avec le verre enlevé, craqué ou cassé. Le remplacement des panneaux devrait être fait par une personne de service autorisée ou qualifiée.

Table of Contents

Overview	2	Restrictor Position.....	24
Listing Details	2	Exhaust Restrictor Adjustment	24
Massachusetts Approval	2	Intake Restrictor Adjustment.....	25
National Fireplace Institute	2	Diffuser Plate Adjustment	26
Installation Options	6	Vent Configuration - Horizontal Termination	27
Heating Specifications	6	Top Vent Configuration with Vertical Termination	28
Dimensions	6	Masonry Chimney Conversions	29
Packing List	7	Class A Chimney Conversion	30
Additional Items Required	7	Termination Requirements	31
Installation Overview	7	Hearth Requirements	32
Recommended Installation Procedure	7	Vinyl Flooring Hearth Recommendations	33
Massachusetts Requirements	8	Facing Requirements	34
Requirements for the Commonwealth of Massachusetts	8	Mantel Requirements	41
MANUFACTURER REQUIREMENTS	8	Combustible Mantels	41
Fireplace Placement Requirements	9	Examples:	41
Clearances	9	Non-Combustible Mantels	41
Raised Fireplaces	9	Steps for Finalizing the Installation	42
Minimum Framing Dimensions	10	Air Shutter Adjustment.....	43
Min. Framing - Without CoolSmart TV kit	10	Barrier Removal	44
Min. Framing – With CoolSmart TV Kit	10	Glass Frame Removal and Installation	45
Minimum Vent “Bump Out” application	11	Glass Frame Removal and Installation (continued)	46
Televisions Placed Above the Fireplace	12	Shipping Retaining Nut Removal	47
Using a Mantel Between the Fireplace and Television	12	Ember bed Glass and Ember Material Installation	48
Using a Buildout Above Fireplace and Television	13	Ember bed Glass Installation	48
Using a Buildout Below a Television	14	Ember Material Installation	49
Nailing Brackets	15	Classic Log Set Installation (94500721)	50
Corner Installations	16	LP Conversion Instructions	57
Outdoor Fireplace Installations	17	Grill Installation	60
Gas Line Requirements	18	Power Heat Duct (Optional) - Installation	61
Fuel	18	Power Heat Duct.....	61
Gas Line Connection.....	18	CoolSmart TV – Installation Overview (Optional)	62
Gas Inlet Pressure	18	CoolSmart TV - Installation Requirements	63
Gas Line Location	19	CoolSmart TV - Framing the Chase	64
Converting Gas Line to the Left Side	19	CoolSmart TV - Fireplace Preparation	65
Electrical Connection (required)	20	Using oval pipe to get past an obstruction.....	68
Vent Requirements	21	CoolSmart TV – Mantel Clearances	68
Vent Clearances.....	21	Special Instructions for Fireback Installation -	69
Horizontal Termination Exhaust Shield	22	Wiring Diagram	71
Altitude Considerations	23	Index	72
Approved Vent	23		
Approved Terminations	23		
Vent Installation.....	23		
Approved Vent Configurations	24		

Safety Warnings

- Failure to follow all of the requirements may result in property damage, bodily injury, or even death.

Young children should be carefully supervised when they are in the same room as the appliance. Toddlers, young children and others may be susceptible to accidental contact burns. A physical barrier is recommended if there are at risk individuals in the house. To restrict access to a fireplace or stove, install an adjustable safety gate to keep toddlers, young children and other at risk individuals out of the room and away from hot surfaces.

Children and adults should be alerted to the hazards of high surface temperature and should stay away to avoid burns or clothing ignition. Do not touch the hot surfaces of the heater. Educate all children of the danger of a high-temperature heater.

Due to the high temperature, the heater should be located out of traffic and away from furniture and draperies.

- This unit must be installed by a qualified installer to prevent the possibility of an explosion.
- This appliance must be installed in accordance with all local codes if any; if not, in U.S.A. follow ANSI Z223.1 and NFPA 54(88), in Canada follow CSA B149.1. In Australia follow AS/NZS 5601.1.
- A manufactured home (USA only) or mobile home OEM installation must conform with the Manufactured Home Construction and Safety Standard, Title 24 CFR, Part 3280, or, when such a standard is not applicable, the Standard for Manufactured Home Installations, ANSI/NCSCS A225.1, or Standard for Gas Equipped Recreational Vehicles and Mobile Housing, CSA Z240.4. This appliance may be installed in Manufactured Housing only after the home is site located.
- All exhaust gases must be vented outside the structure of the living-area. Combustion air is drawn from outside the living-area structure. The venting must not be connected to a chimney flue serving a separate solid-fuel burning appliance.
- Notify your insurance company before hooking up this fireplace.
- The instructions in this manual must be strictly adhered to. Do not use makeshift methods or compromise in the installation. Improper installation will void the warranty and safety listing.
- This heater is approved for use with natural gas (NG) or propane (LP). Burning the incorrect fuel will void the warranty and safety listing and may cause an extreme safety hazard. Direct questions about the type of fuel used to your dealer.
- Contact your local building officials to obtain a permit and information on any installation restrictions or inspection requirements in your area.
- If the flame becomes sooty, dark orange in color, or extremely tall, do not operate the heater. Call your dealer and arrange for proper servicing.
- It is imperative that control compartments, screens, or circulating air passageways of the heater be kept clean and free of obstructions. These areas provide the air necessary for safe operation.
- Do not operate the heater if it is not operating properly in any fashion or if you are uncertain. Call your dealer for a full explanation of your heater and what to expect.
- Do not store or use gasoline or other flammable liquids in the vicinity of this heater.
- Do not operate if any portion of the heater was submerged in water or if any corrosion occurs. Immediately call a qualified service technician to inspect the appliance and to replace any part of the control system and any gas control which has been under water.

Safety Warnings (continued)

- Because this heater can be controlled by a thermostat there is a possibility of the heater turning on and igniting any items placed on or near the appliance.
- Light the heater using the built-in igniter. Do not use matches or any other external device to light your heater.
- Never remove, replace, modify or substitute any part of the heater unless instructions are given in this manual. All other work must be done by a trained technician. Don't modify or replace orifices.
- The viewing glass should be opened only for conducting service.
- Allow the heater to cool before carrying out any maintenance or cleaning.
- Operate the heater according to the instructions included in this manual.
- If the main burners do not start correctly turn the gas off and call your dealer for service.
- This unit is not for use with solid fuel.
- Do not place anything inside the firebox (except the optional artwork).
- **Warning:** Do not operate appliance with the glass front removed, cracked, or broken. Replacement of the glass should be done by a licensed or qualified service person.
- Do not throw this manual away. This manual has important operating and maintenance instructions that you will need at a later time. Always follow the instructions in this manual.
- Instruct everyone in the house how to shut gas off to the appliance and at the gas main shutoff valve. The gas main shutoff valve is usually next to the gas meter or propane tank and requires a wrench to shut off.
- A barrier designed to reduce the risk of burns from the hot viewing glass is provided with this appliance and shall be installed for the protection of children and other at-risk individuals.
- If the barrier becomes damaged, the barrier shall be replaced with the manufacturer's barrier for this appliance.
- Clothing or other flammable material should not be placed on or near the appliance.
- Any safety screen, guard, or barrier removed for servicing an appliance must be replaced prior to operating the appliance.
- Installation and repair should be done by a qualified service person. The appliance should be inspected before use and at least annually by a professional service person. More frequent cleaning might be required due to excessive lint from carpeting, bedding material, et cetera. It is imperative that control compartments, burners, and circulating air passageways of the appliance be kept clean.
- **Travis Industries, Inc. grants no warranty, implied or stated, for the installation or maintenance of your heater, and assumes no responsibility of any consequential damage(s).**

Proposition 65 Warning: Fuels used in gas, woodburning or oil fired appliances, and the products of combustion of such fuels, contain chemicals known to the State of California to cause cancer, birth defects, and other reproductive harm.
California Health & Safety Code Sec. 25249.6

Travis Gas Fireplaces, Stoves, and Inserts are protected by one or more of the following patents; U.S. 8,469,021, 7,066,170, 6,602,068, 6,443,726, 6,953,037; Canada 2755517 as well as other U.S. and Foreign Patents pending.

6

Features and Specifications

Installation Options

- Residential or Mobile Home
- Straight or Corner Placement
- Flush or Recessed Face
- Raised or Floor Placement
- Internal or External Chase
- Horizontal or Vertical Vent
- Bedroom Approved

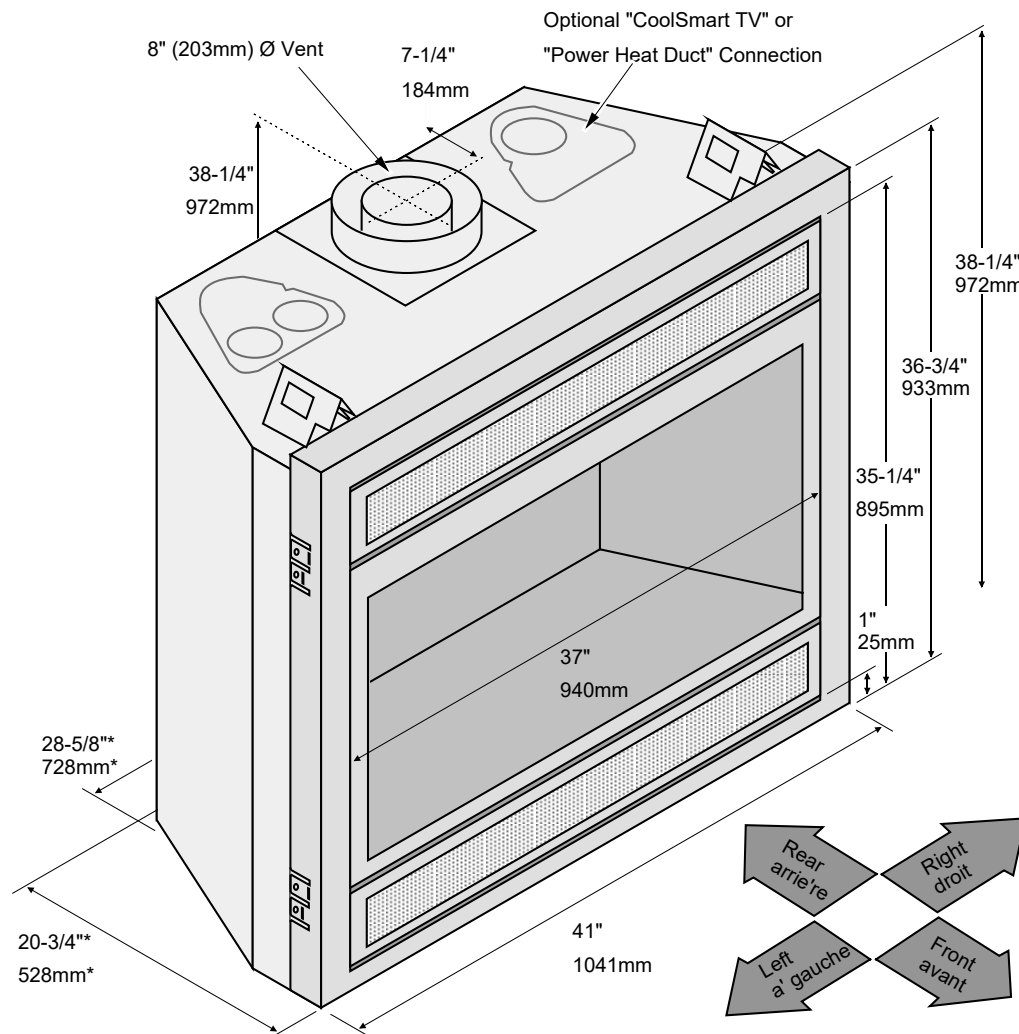
Heating Specifications

	Natural Gas	Propane
Approximate Heating Capacity (in square feet)*	1,200 to 2,000	1,200 to 2,000
Maximum BTU Input Per Hour	40,000	40,000

* Heating capacity will vary with floor plan, insulation, and outside temperature.

** Efficiency rating is a product thermal efficiency rating determined under continuous operation independent of installed system.

Dimensions



* See "Clearances" and "Framing Dimensions" for details.

Weight: 205 Lbs. (93 Kg)

Packing List

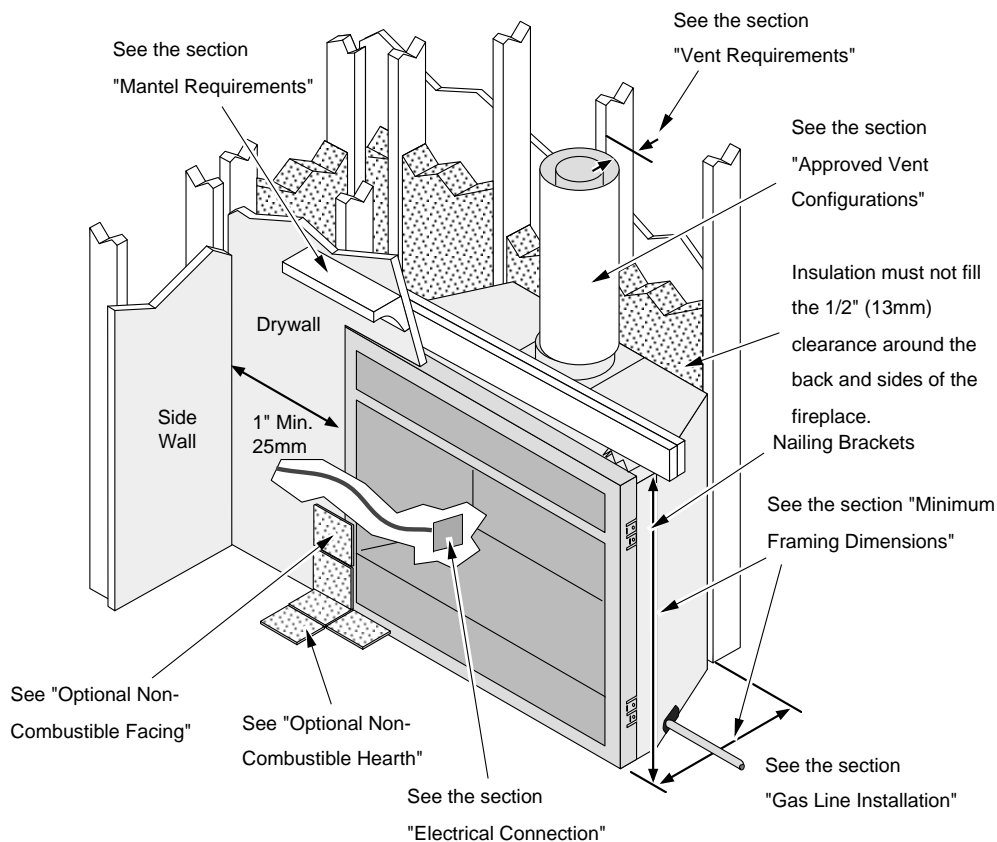
- Propane Conversion Kit (2 orifices, pilot orifice)
- Wall Thimble
- Remote Control
- Embers, Rock Wool, EmberBed Glass
- Horizontal Termination heat shield and screws

Additional Items Required

- Log Set
- Direct Vent
- Gas Line Equipment (shutoff valve, pipe, etc.)
- Electrical Equipment (min. 14 gauge, grounded line)
- Stove Bright® Metallic Black touch-up paint

Installation Overview

- All requirements below must be met.



Recommended Installation Procedure

- Frame the opening for the fireplace. Make sure to allow for vent installation.
- This fireplace is designed to accommodate 1/2" (13mm) or 5/8" (16mm) drywall (see "Nailing Brackets" on page 15 for details). Secure the fireplace to the framing.
- Install the vent, gas line, and electrical hook-up.
- Install the drywall.
- Install the hearth (if applicable).
- Install the facing (if applicable).
- Install the mantel (if applicable).
- Install the firebacks (optional)
- Install the media
- Finalize the installation (see page 42) and install the grill or face.

8 Finalizing the Installation (for qualified installers only)

Massachusetts Requirements

NOTE: The following requirements reference various Massachusetts and national codes not contained in this document.

Requirements for the Commonwealth of Massachusetts

For all side wall horizontally vented gas fueled equipment installed in every dwelling, building or structure used in whole or in part for residential purposes, including those owned or operated by the Commonwealth and where the side wall exhaust vent termination is less than seven (7) feet above finished grade in the area of the venting, including but not limited to decks and porches, the following requirements shall be satisfied:

Installation of Carbon Monoxide Detectors

At the time of installation of the side wall horizontal vented gas fueled equipment, the installing plumber or gasfitter shall observe that a hard wired carbon monoxide detector with an alarm and battery back-up is installed on the floor level where the gas equipment is to be installed. In addition, the installing plumber or gasfitter shall observe that a battery operated or hard wired carbon monoxide detector with an alarm is installed on each additional level of the dwelling, building, or structure served by the side wall horizontal vented gas fueled equipment. It shall be the responsibility of the property owner to secure the services of qualified licensed professionals for the installation of hard wired carbon monoxide detectors.

In the event that the side wall horizontally vented gas fueled equipment is installed in a crawl space or an attic, the hard wired carbon monoxide detector with alarm and battery back-up may be installed on the next adjacent floor level.

In the event that the requirements of this subdivision can not be met at the time of completion of installation, the owner shall have a period of thirty (30) days to comply with the above requirements; provided, however, that during said thirty (30) day period, a battery operated carbon monoxide detector with an alarm shall be installed.

Approved Carbon Monoxide Detectors

Each carbon monoxide detector as required in accordance with the above provisions shall comply with NFPA 720 and be ANSI/UL 2034 listed and IAS certified.

Signage

A metal or plastic identification plate shall be permanently mounted to the exterior of the building at a minimum height of eight (8) feet above grade directly in line with the exhaust vent terminal for the horizontally vented gas fueled heating appliance or equipment. The sign shall read, in print size no less than one-half (1/2) inch in size, "GAS VENT DIRECTLY BELOW. KEEP CLEAR OF ALL OBSTRUCTIONS".

Inspection

The state or local gas inspector of the side wall horizontally vented gas fueled equipment shall not approve the installation unless, upon inspection, the inspector observes carbon monoxide detectors and signage installed in accordance with the provisions of 248 CMR 5.08(2)(a)1 through 4.

Exemptions

The following equipment is exempt from 248 CMR 5.08(2)(a)1 through 4:

- The equipment listed in Chapter 10 entitled "Equipment Not Required To Be Vented" in the most current edition of NFPA 54 as adopted by the Board; and
- Product Approved side wall horizontally vented gas fueled equipment installed in a room or structure separate from the dwelling, building, or structure used in whole or in part for residential purposes.

MANUFACTURER REQUIREMENTS

Gas Equipment Venting System Provided

When the manufacturer of Product Approved side wall horizontally vented gas equipment provides a venting system design or venting system components with the equipment, the instructions provided by the manufacturer for installation of the equipment and the venting system shall include:

- Detailed instructions for the installation of the venting system design or the venting system components; and
- A complete parts list for the venting system design or venting system.

Gas Equipment Venting System NOT Provided

When the manufacturer of a Product Approved side wall horizontally vented gas fueled equipment does not provide the parts for venting the flue gases, but identifies "special venting systems", the following requirements shall be satisfied by the manufacturer:

- The referenced "special venting system" instructions shall be included with the appliance or equipment installation instructions; and
- The "special venting systems" shall be Product Approved by the Board, and the instructions for that system shall include a parts list and detailed installation instructions.

A copy of all installation instructions for all Product Approved side wall horizontally vented gas fueled equipment, all venting instructions, all parts lists for venting instructions, and/or all venting design instructions shall remain with the appliance or equipment at the completion of the installation.

See Gas Connection section for additional Commonwealth of Massachusetts requirements.

Fireplace Placement Requirements

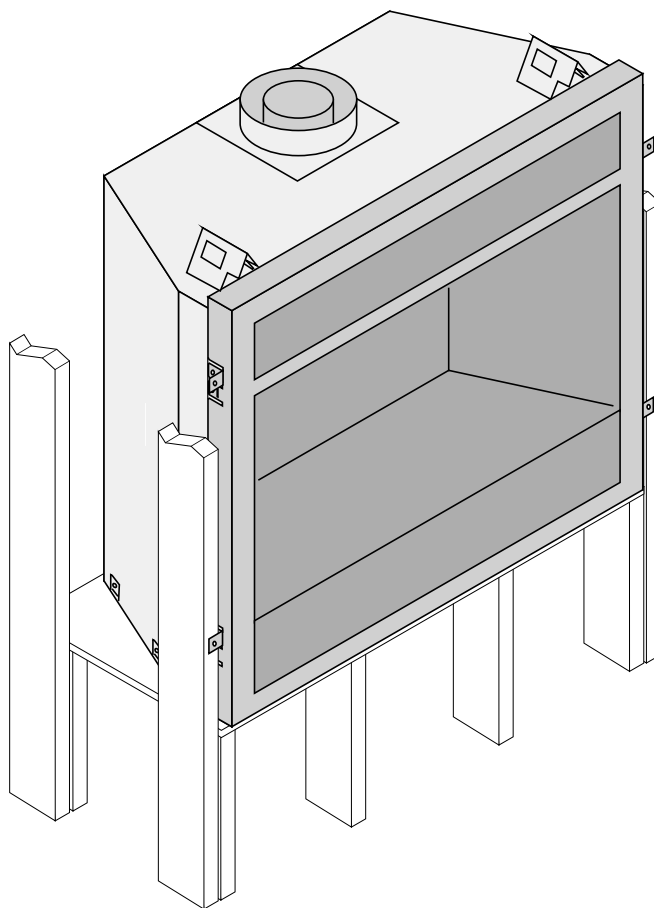
- Fireplace must be installed on a level surface capable of supporting the fireplace and vent
- Fireplace must be placed directly on wood or non-combustible surface (not on linoleum or carpet)
- This heater may be placed in a bedroom. Please be aware of the large amount of heat this appliance produces when determining a location.

Clearances

- The fireplace requires a 1/2" (13mm) clearance from the angled sides and back of the fireplace to the framing members. No material (insulation, framing, etc.) may be placed into this area.
- When installed, walls in front of the fireplace must be a minimum 1" (25mm) to the side of the fireplace.
- Due to the high temperature, the heater should be located out of traffic and away from furniture and draperies.
- Fireplace must be placed so the vents below and above the glass do not become blocked.

Raised Fireplaces

- The fireplace (and hearth, if desired) may be placed on a platform designed to support the fireplace (205 Lbs. 93 Kg) and vent.
- The base of the fireplace must be a minimum 70" (1778mm) below the room ceiling.



10 Finalizing the Installation (for qualified installers only)

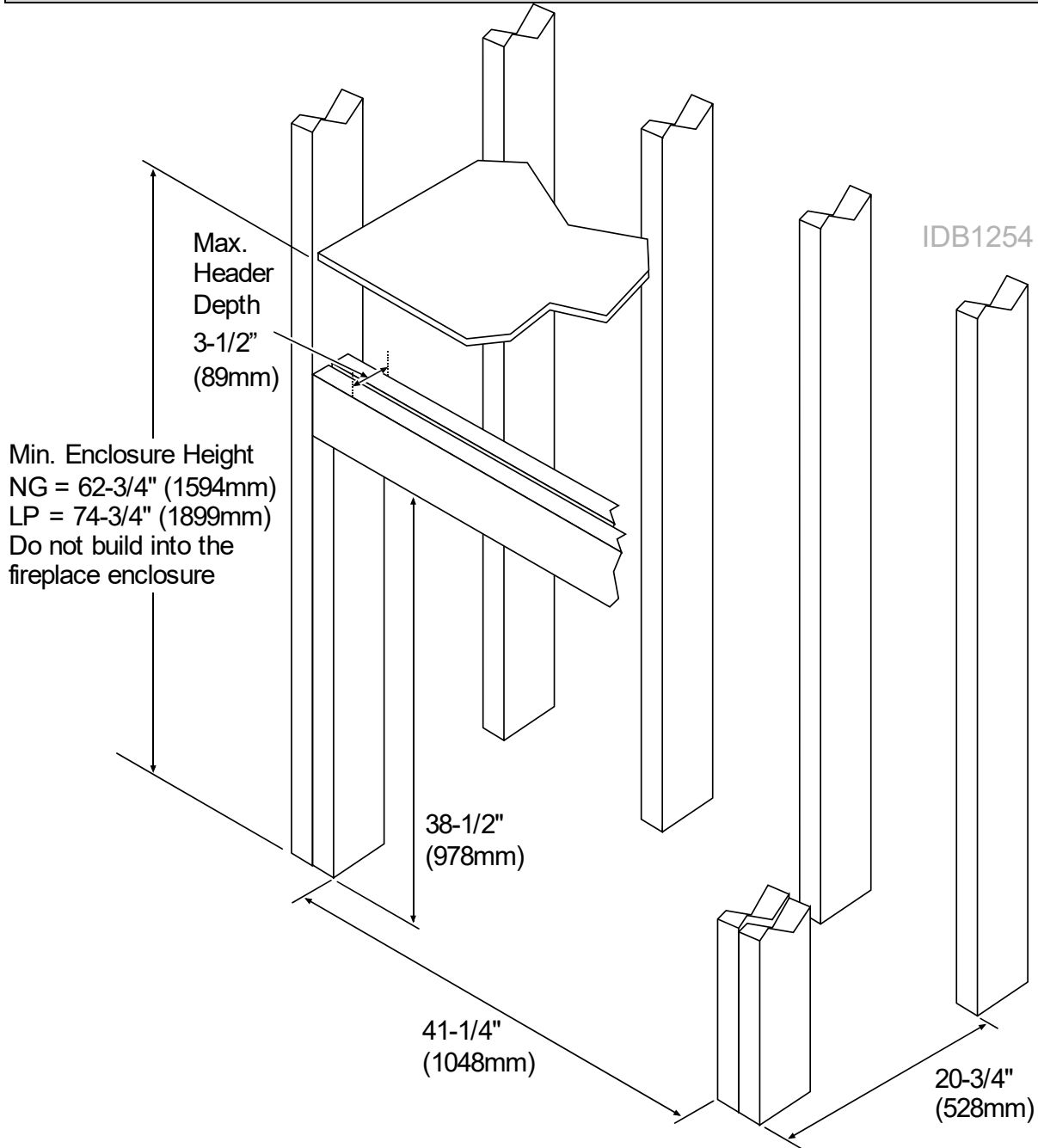
Minimum Framing Dimensions

Min. Framing - Without CoolSmart TV kit



WARNING

When using a CoolSmart TV kit, see section: **“CoolSmart TV - Framing the Chase”** on page 64.

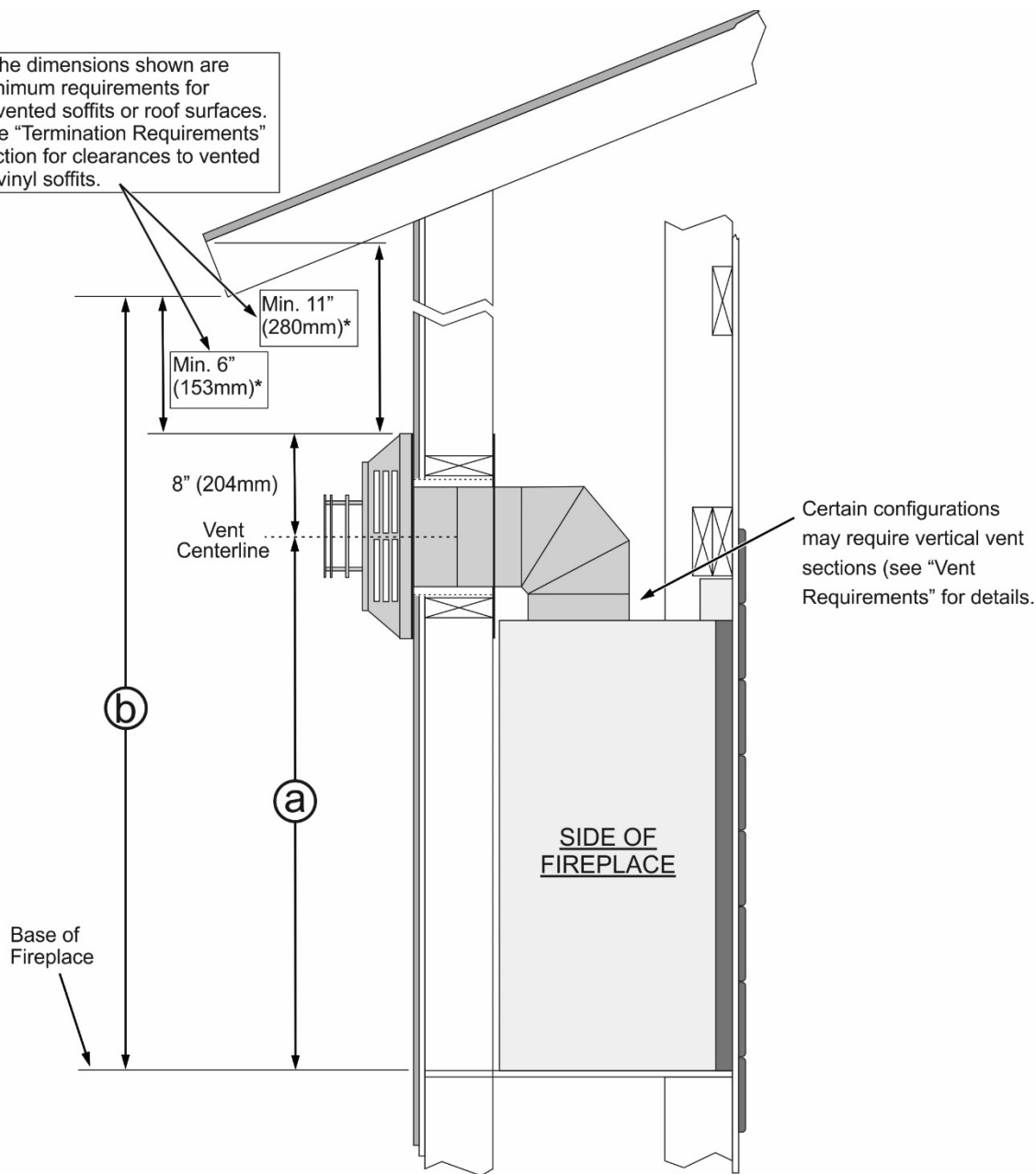


Min. Framing – With CoolSmart TV Kit

When using a CoolSmart TV kit, see section: **“CoolSmart TV - Framing the Chase”** on page 64 of this manual or the installation instructions included with the kit for minimum framing dimensions.

Minimum Vent "Bump Out" application

* The dimensions shown are minimum requirements for unvented soffits or roof surfaces. See "Termination Requirements" section for clearances to vented or vinyl soffits.



864 40K

NG Installations

LP Installations

1' Vertical Vent Section (Min. Rise)

2' Vertical Vent Section (Min. Rise)

(a) Vent Centerline	Approx. 55" (1397mm)	Approx. 67" (1702mm)
(b) FP Base to Roof Eave	Approx. 69" (1753mm)	Approx. 81" (2059mm)

12 Finalizing the Installation (for qualified installers only)

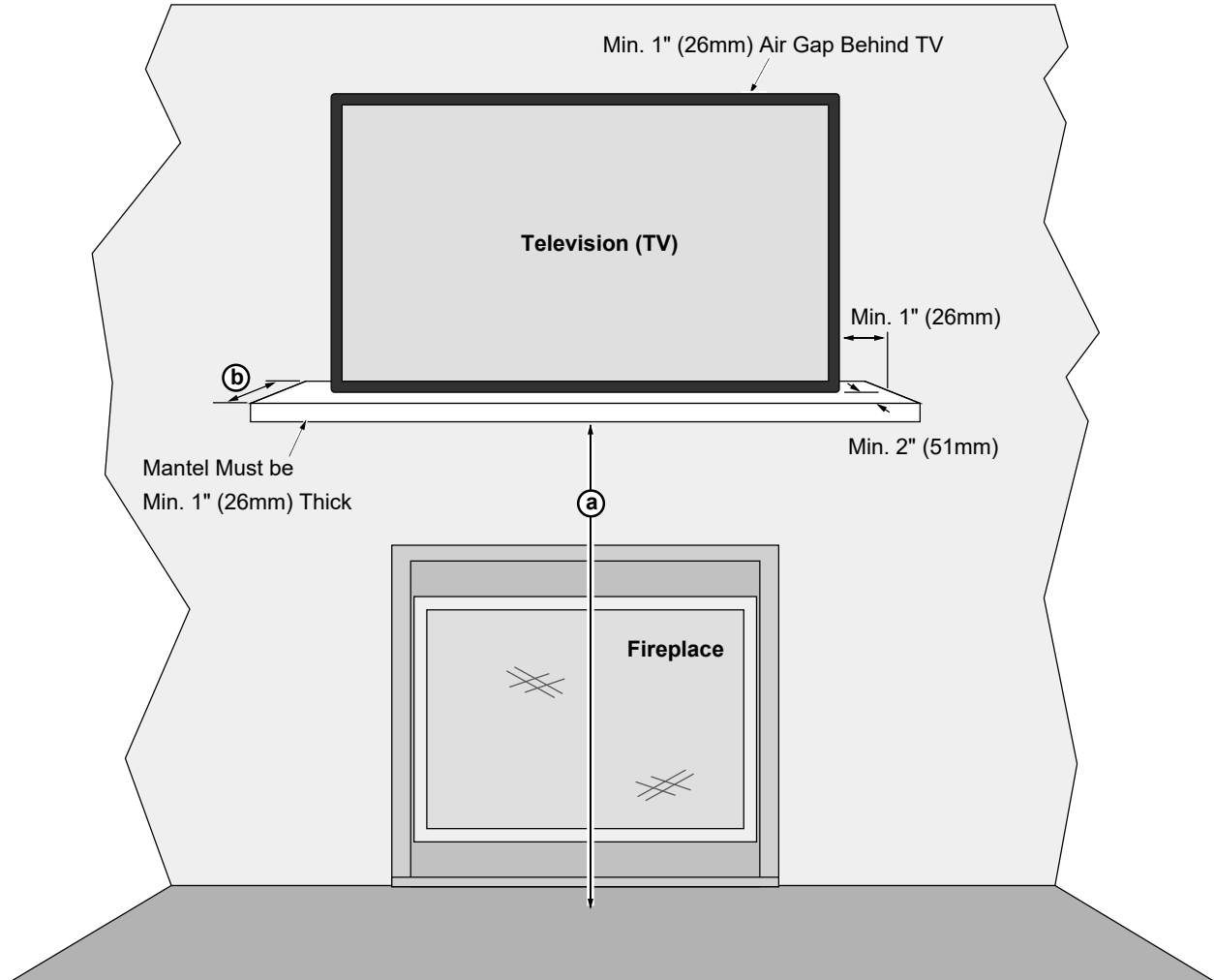
Televisions Placed Above the Fireplace

The following section details three methods to allow for television installation above the fireplace.

Using a Mantel Between the Fireplace and Television

IMPORTANT NOTE REGARDING TELEVISIONS AND THIS FIREPLACE

Most television manufacturers instruct the homeowner to not place the television above a heat source. Doing so may negatively affect the longevity of the television and may negate the warranty. If you do place a television above the fireplace, please be aware of the large amount of heat generated by the fireplace and consider placing the television above a mantel to reduce the amount of heat that reaches the television. The homeowner must understand that Travis Industries does not take responsibility for any negative impact to televisions placed near this fireplace.



Minimum Dimensions:

(a) Minimum Mantel Height above Base of Fireplace*	44-3/4" (1137mm) with 8" (203mm) mantel depth
(b) Mantel Depth*	Minimum 8" (203mm)*

*** Mantel depth is 8" minimum to allow heat to travel forward and dissipate. If using more than an 8" mantel, make sure to make the mantel height (a) higher (see mantel requirements on page 41 for details).**

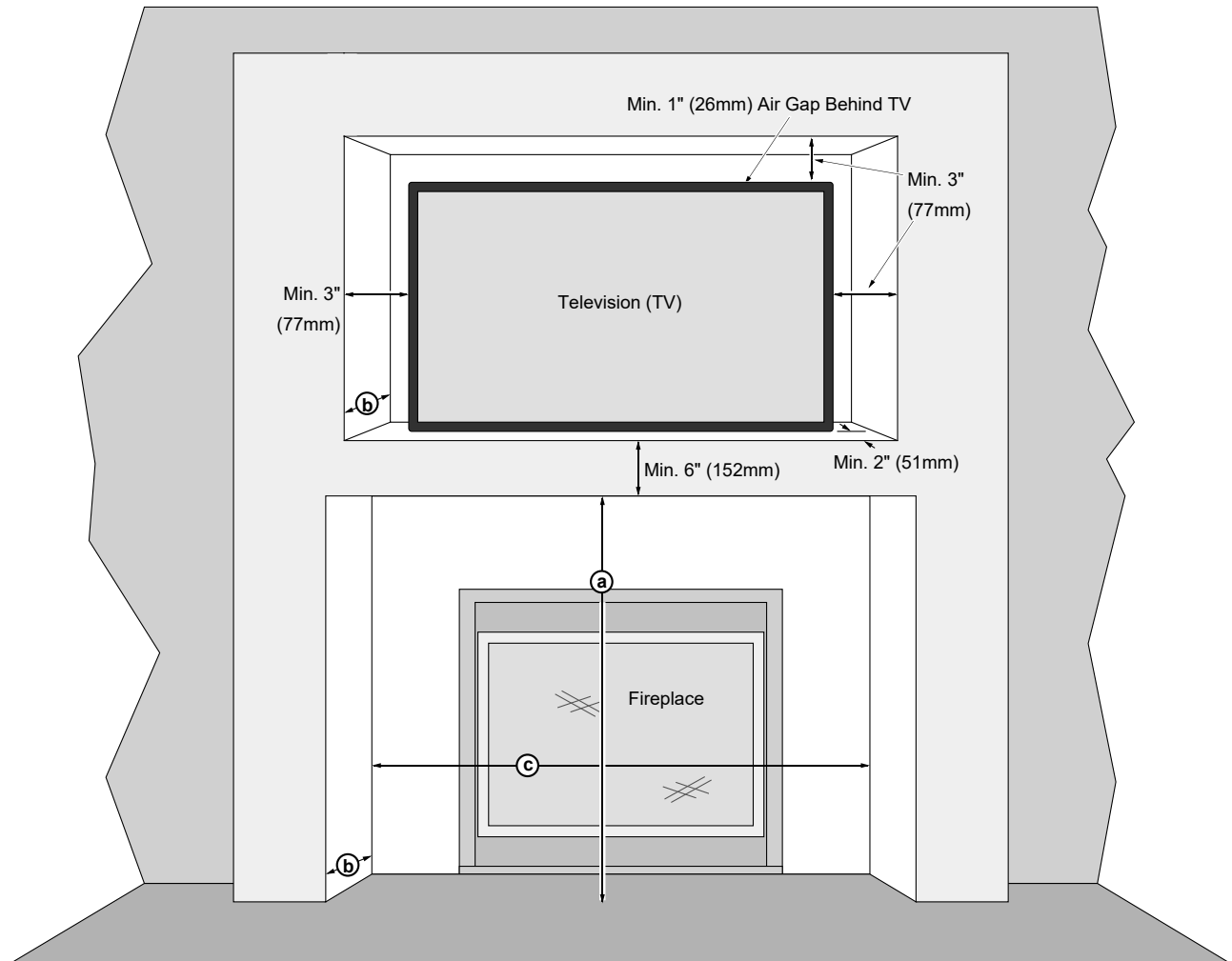
NOTE: The mantel must extend 2" in front of the TV and 1" to both sides. If you have a TV that is greater than 6" deep (including the 1" gap behind), you will need to alter the mantel depth and height.

WIRING NOTE: If running wiring into the enclosure, use thermal insulating wrap around the wiring. Secure the wiring to protect from contact with hot surfaces.

Using a Buildout Above Fireplace and Television

IMPORTANT NOTE REGARDING TELEVISIONS AND THIS FIREPLACE

Most television manufacturers instruct the homeowner to not place the television above a heat source. Doing so may negatively affect the longevity of the television and may negate the warranty. If you do place a television above the fireplace, please be aware of the large amount of heat generated by the fireplace and consider placing the television above a mantel to reduce the amount of heat that reaches the television. The homeowner must understand that Travis Industries does not take responsibility for any negative impact to televisions placed near this fireplace.



Minimum Dimensions:

(a) Minimum Buildout Height above Base of Fireplace*	44-3/4" (1137mm) with 8" (203mm) buildout depth
(b) Minimum Fireplace/TV Buildout Depth*	Minimum 8" (203mm)*
(c) Fireplace Buildout Width	43" (1093mm)

*** Buildout depth is 8" minimum to allow heat to travel forward and dissipate. If using more than an 8" buildout, make sure to make the buildout height (a) higher (buildout must meet mantel requirements - see page 41 for details).**

NOTE: The buildout must extend 2" in front of the TV and 3" to both sides and top. If you have a TV that is greater than 6" deep (including the 1" gap behind), you will need to alter the buildout depth and height.

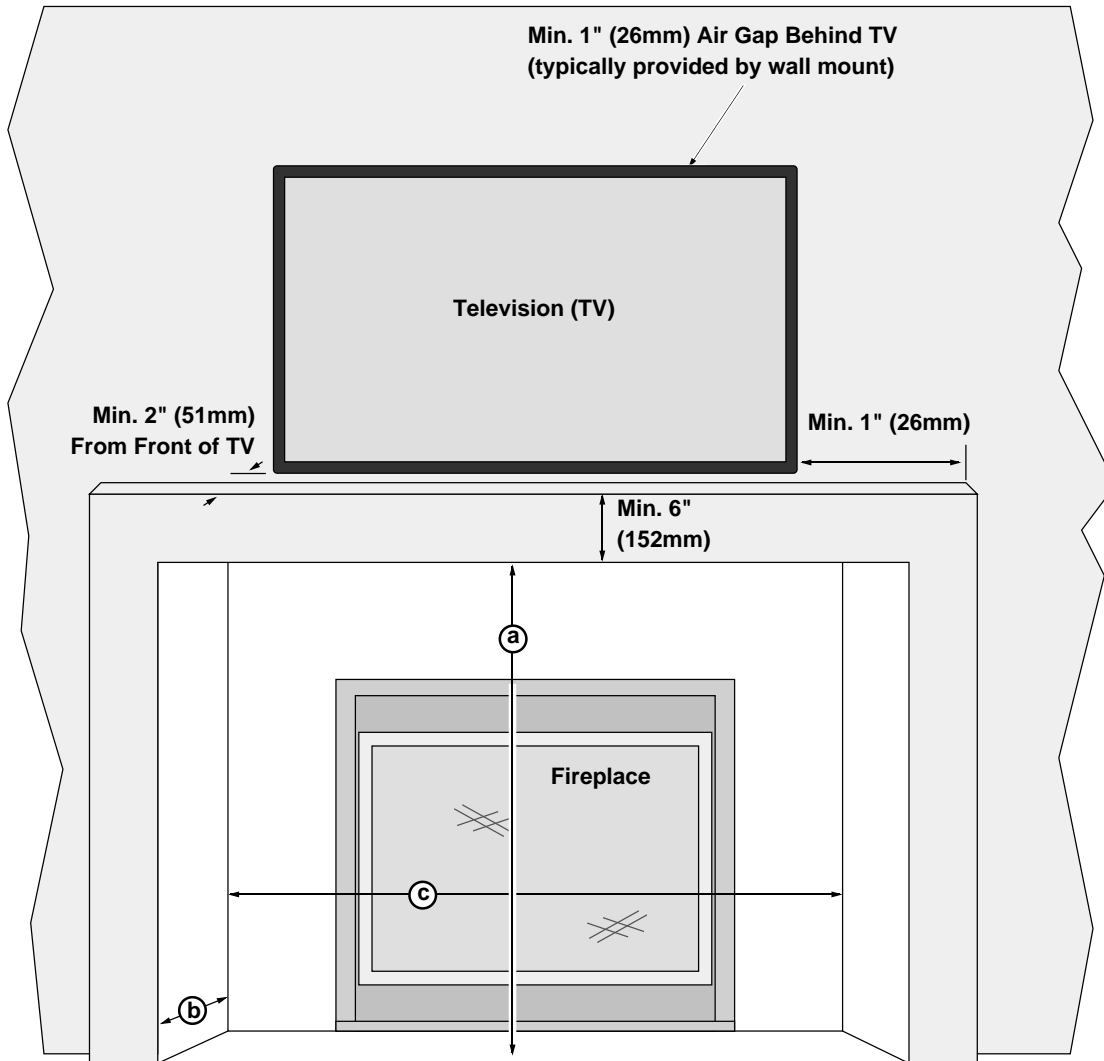
WIRING NOTE: If running wiring into the enclosure, use thermal insulating wrap around the wiring. Secure the wiring to protect from contact with hot surfaces.

14 Finalizing the Installation (for qualified installers only)

Using a Buildout Below a Television

IMPORTANT NOTE REGARDING TELEVISIONS AND THIS FIREPLACE

Most television manufacturers instruct the homeowner to not place the television above a heat source. Doing so may negatively affect the longevity of the television and may negate the warranty. If you do place a television above the fireplace, please be aware of the large amount of heat generated by the fireplace and consider placing the television above a mantel to reduce the amount of heat that reaches the television. The homeowner must understand that Travis Industries does not take responsibility for any negative impact to televisions placed near this fireplace.



Minimum Dimensions:

(a) Minimum Buildout Height above Base of Fireplace*	44-3/4" (1137mm) with 8" (203mm) buildout depth
(b) Minimum Buildout Depth*	Minimum 8" (203mm)*
(c) Fireplace Buildout Width	43" (1093mm)

* **Buildout depth is 8" minimum to allow heat to travel forward and dissipate. If using more than an 8" buildout, make sure to make the buildout height (a) higher (buildout must meet mantel requirements - see page 41 for details).**

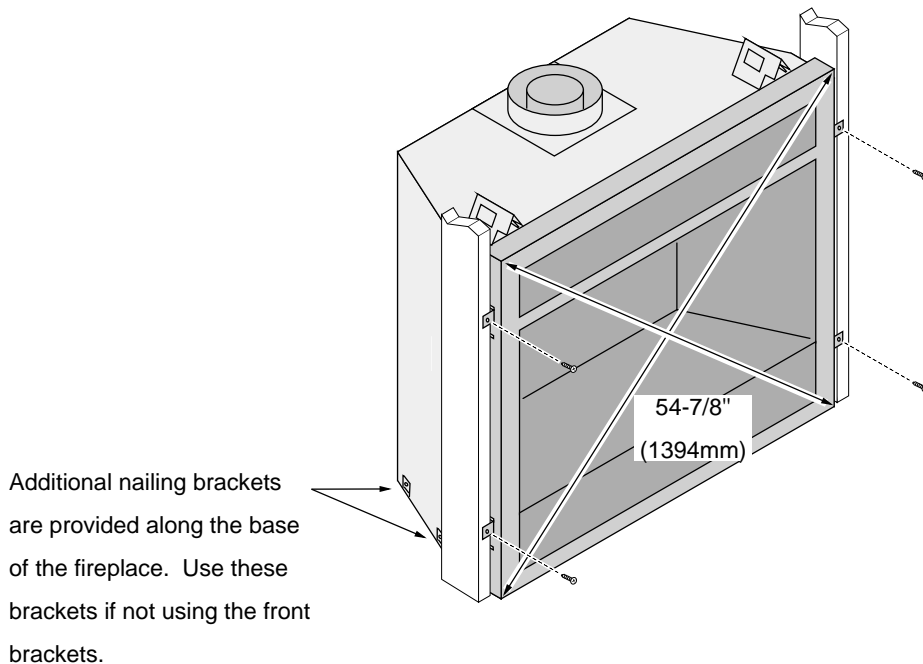
NOTE: The buildout must extend 2" in front of the TV and 3" to both sides and top. If you have a TV that is greater than 6" deep (including the 1" gap behind), you will need to alter the buildout depth and height.

WIRING NOTE: If running wiring into the enclosure, use thermal insulating wrap around the wiring. Secure the wiring to protect from contact with hot surfaces.

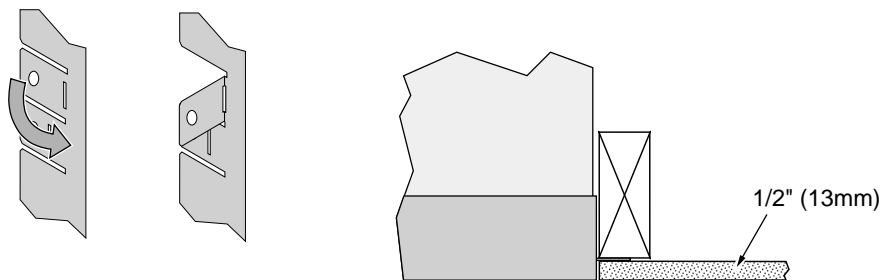
Nailing Brackets

The fireplace has nailing brackets on both sides. Secure the fireplace to the framing.

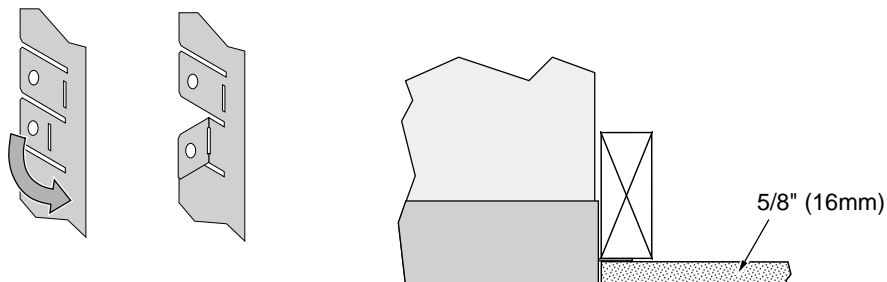
NOTE: Make sure the fireplace is square and plumb when placed in the framing. Measured corner-to-corner the fireplace should be square (approx. 54-7/8" – 1394mm). See the illustration below. Use shims to ensure the fireplace is square.



1/2"(13mm)



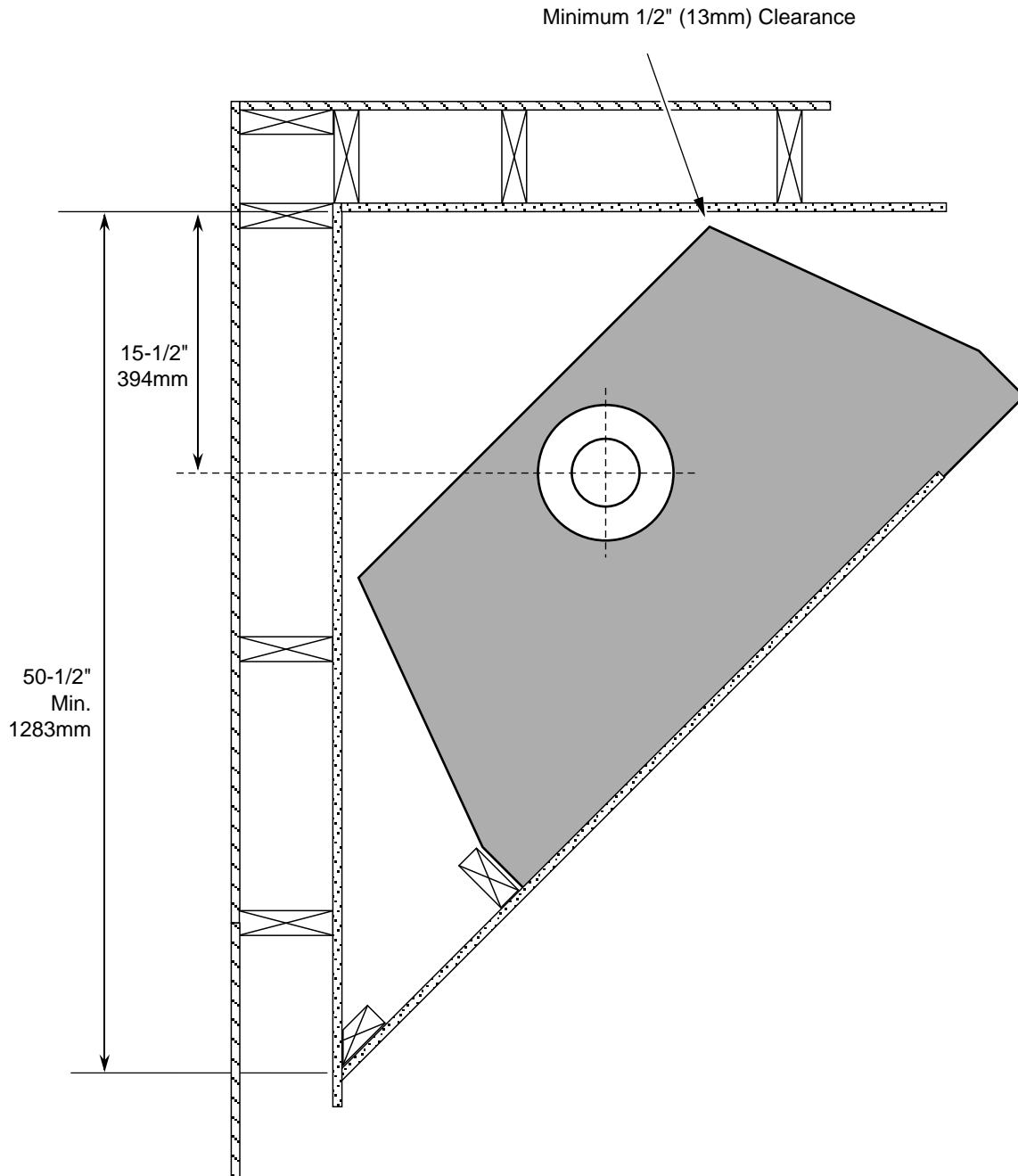
5/8"(16mm)



16 Finalizing the Installation (for qualified installers only)

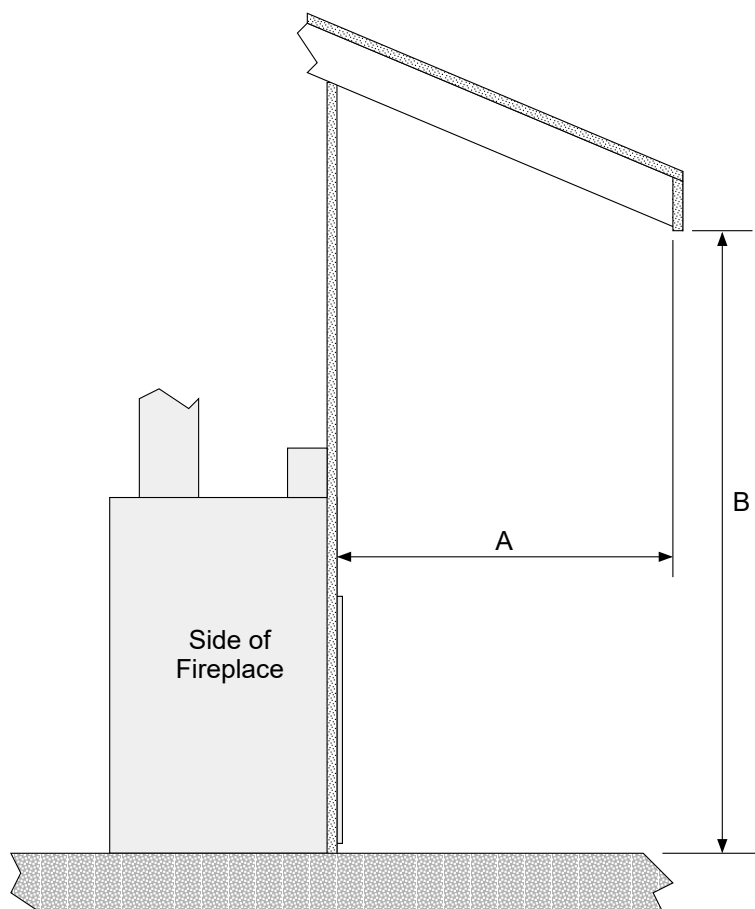
Corner Installations

A typical 45° installation uses the framing dimensions shown in the illustration below (NOTE: all clearances still apply).



Outdoor Fireplace Installations

Travis Industries Inc. gas-fired fireplaces are suitable for installation into outdoor areas protected from direct water impingement. In addition to maintaining listed mantel and combustibles clearances, a rain protection overhang factor of 1/2 shall be constructed to the front and to each side of installed appliances (see the illustration to the right). All wiring connections to line power shall be in accordance with outdoor requirements of NECA NFPA 70.



The overhang (A) must extend at least 1/2 the roofline height (B). Height is measured from the base of the fireplace.

For example: if the roofline (B) is 8' above the base of the fireplace, the overhang (A) must be at least 4'.

18 Finalizing the Installation (for qualified installers only)

Gas Line Requirements

MASSACHUSETTS INSTALLATIONS - **WARNING:**

THIS PRODUCT MUST BE INSTALLED BY A LICENSED PLUMBER OR GAS FITTER WHEN INSTALLED WITHIN THE COMMONWEALTH OF MASSACHUSETTS.

OTHER MASSACHUSETTS CODE REQUIREMENTS:

- Flexible connector must not be longer than 36 inches.
- Shutoff valve must be a "T" handle gas cock.
- Only direct vent sealed combustion products are approved for bedrooms or bathrooms.
- Fireplace dampers must be removed or welded in the open position prior to the installation of a fireplace insert or gas log.
- A carbon monoxide (CO) detector is required in the same room as the appliance.

- The gas line must be installed in accordance with all local codes, if any; if not, follow ANSI 223.1 and NFPA 54(88), in Canada follow CSA B149.1 and the requirements listed below.
- The fireplace and gas control valve must be disconnected from the gas supply piping during any pressure testing of that system at test pressures in excess of 1/2 psig (3.5 kPA). For pressures under 1/2 psig (kPA), isolate the gas supply piping by closing the manual shutoff valve.
- Leak test all gas line joints and the gas control valve prior to and after starting the fireplace.

Fuel

- This fireplace is designed either for natural gas or for propane (but not for both). Check the sticker on the top of the gas control valve to make sure the correct fuel is used.

Gas Line Connection

- Installation must be performed by a qualified installer, service agency or the gas supplier (In Massachusetts a licensed plumber/gasfitter).
- The gas inlet accepts 1/2" MPT.

Gas Inlet Pressure

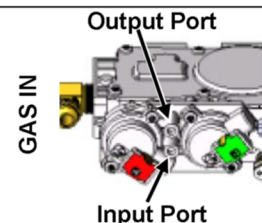
Gas Pressure	Max. Input Pressure	Min. Input Pressure	Max. Manifold Pressure	Min. Manifold Pressure
Natural Gas	7" W.C. (1.74 kPA)	5.5" W.C. (1.37 kPA)	3.5" W.C. (0.87 kPA)	1.6" W.C. (0.40 kPA)
Propane	13" W.C. (3.23 kPA)	11" W.C. (2.74 kPA)	11" W.C. (2.74 kPA)	2.9" W.C. (0.72 kPA)

- If the pressure is not sufficient, make sure the piping used is large enough, the supply regulator is adequately adjusted, and the total gas load for the residence does not exceed the amount supplied.
- The supply regulator (the regulator that attaches directly to the residence inlet or to the propane tank) should supply gas at the suggested input pressure listed above. Contact the local gas supplier if the regulator is at an improper pressure.

Directions for Connecting a Gas Pressure Test Gauge

The gas control valve (shown to the right) has two test ports for testing input (line pressure) and output (manifold) pressure. Loosen the brass screw on either test port and place a 5/16" i.d. rubber or plastic tube over the tapered test port. Connect the tube to the test gauge.

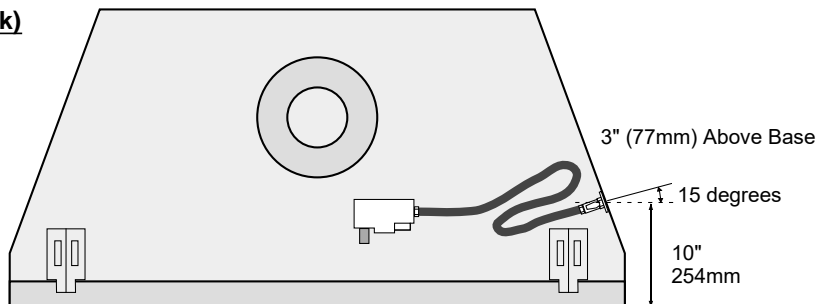
WARNING: The brass screw must be tightened after testing to prevent gas leakage.



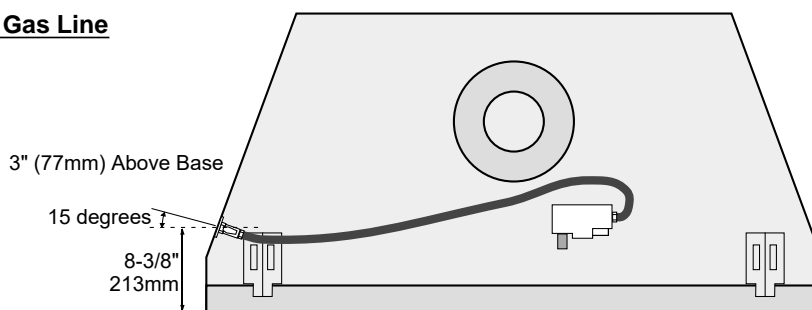
Gas Line Location

NOTE FOR RIGID PIPE: When using rigid pipe, you may wish to disconnect the shutoff valve from the fireplace and route the pipe through the fireplace wall. First, disconnect the gas line from the shutoff valve (see step 1 below). Then remove the shutoff valve from the cover plate (4 screws outside fireplace). The pipe may be routed through the cover plate and the shutoff valve and gas line may be re-attached inside the fireplace.

Right Side Gas Line (Stock)

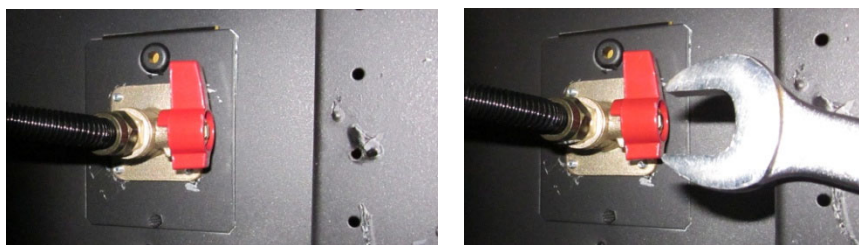


Left Side Gas Line

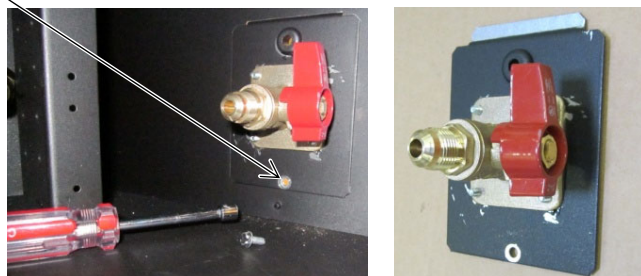


Converting Gas Line to the Left Side

1. Disconnect the gas line from the shutoff valve (3/4" wrench). Gas line is located inside the fireplace on the right side.



2. Remove the screw that holds the shutoff valve plate in place (1/4" nutdriver). Remove the shutoff valve plate.



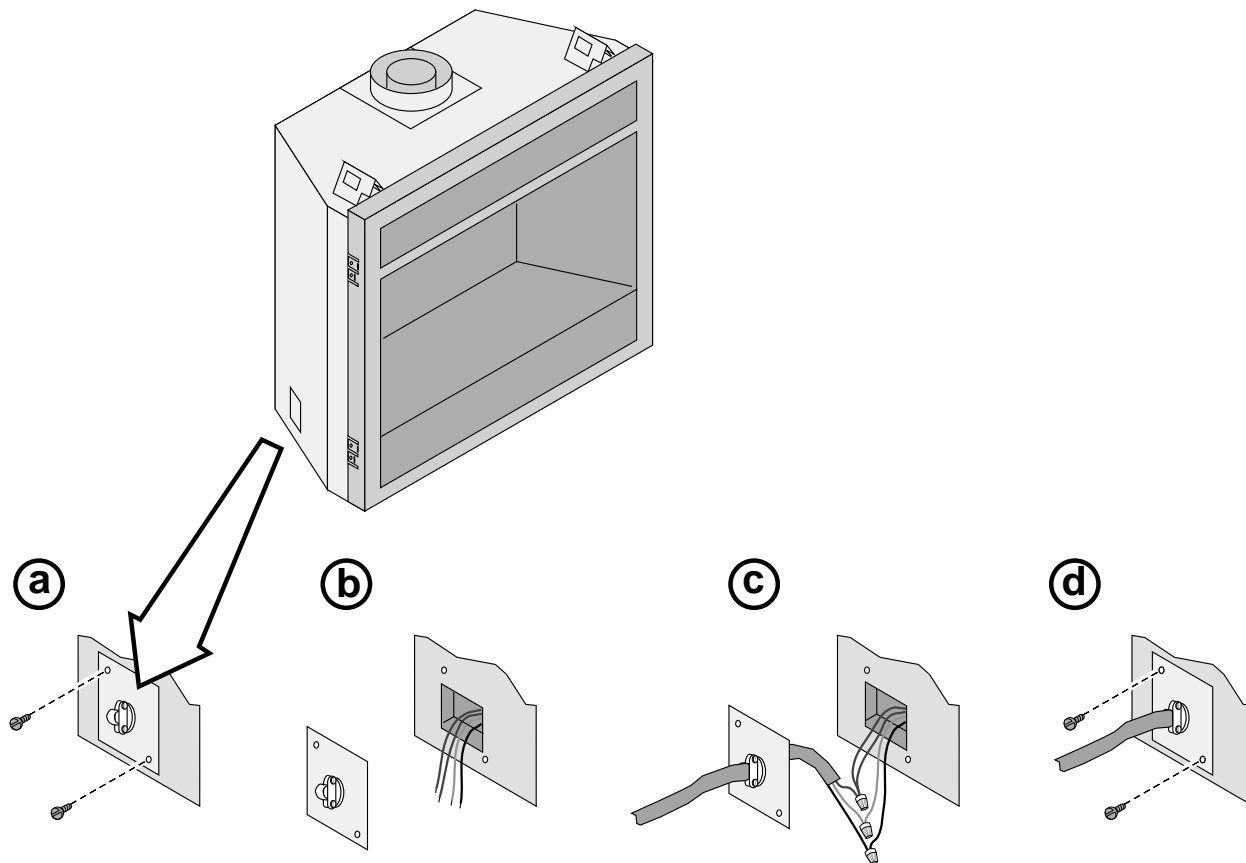
3. Remove the cover plate from the left side of the fireplace (it is held in place in the same fashion as the shutoff valve plate). Attach it to the right side of the fireplace.
4. Attach the shutoff valve plate to the left side of the fireplace. Route the gas line to the left side and re-attach the gas line to the shutoff valve. Make sure to leak test the entire gas line.

20 Finalizing the Installation (for qualified installers only)

Electrical Connection (required)

- The electrical line to the grounded receptacle inside the fireplace must be installed by a qualified installer and must meet all local codes.
- Make sure the household breaker is shut off prior to working on any electrical lines.
- The appliance, when installed, must be electrically grounded in accordance with local codes or, in the absence of local codes, with the National Electrical Code, ANSI/NFPA 70, or the Canadian Electrical Code, CSA C22.1.
- The electrical line must be a min. 14 gauge, and supply 120 Volts, 60 Hz (typical max amps: 5).

Caution: Label all wires prior to disconnection when servicing controls. Wiring errors can cause improper and dangerous operation.



Vent Requirements

- The gas appliance and vent system must be vented directly to the outside of the building, and never be attached to a chimney serving a separate solid fuel or gas-burning appliance. Each direct vent gas appliance must use its own separate vent system.
- In addition to the requirements listed here, follow the requirements provided with the vent.
- A wall thimble is required whenever the vent penetrates a wall.
- When passing through a floor or ceiling (or other framing members) a standard 1" clearance firestop is required.
- The flow of combustion and ventilation air must not be obstructed.

Drafting Performance

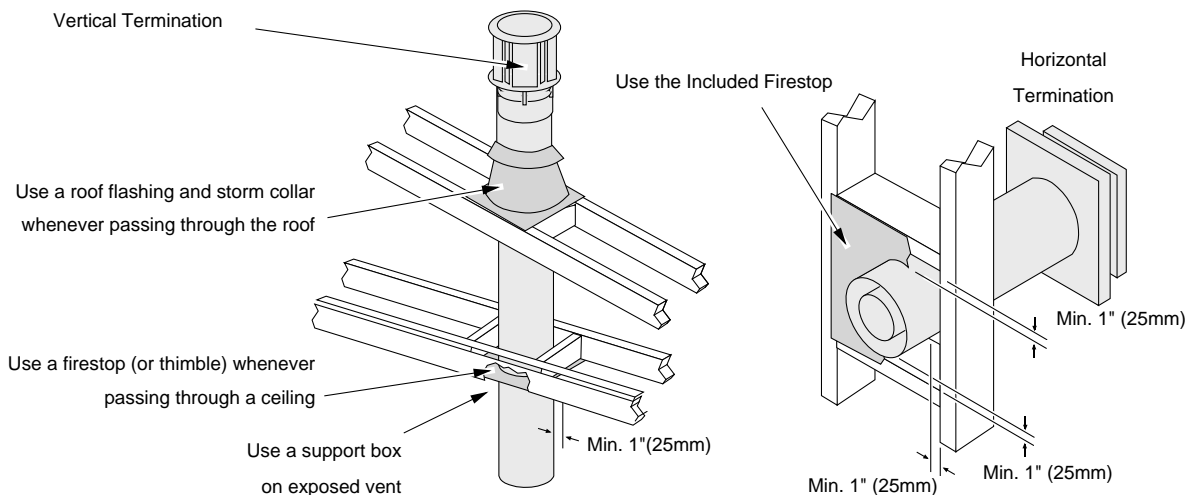
This direct vent appliance requires natural draft to operate (similar to a wood stove or other heating appliance). Draft can be adjusted using the included restrictor. The restrictor settings detailed in the manual should be followed (variations may occur depending upon installation parameters).

Many factors may negatively influence the draft of the appliance. Travis Industries will not be responsible for improper draft due to factors such as trees, hills, buildings, obstructions, excessive wind, extreme hot or cold outdoor temperatures, restrictive vent terminations, or influence from mechanical systems.

Vent Clearances

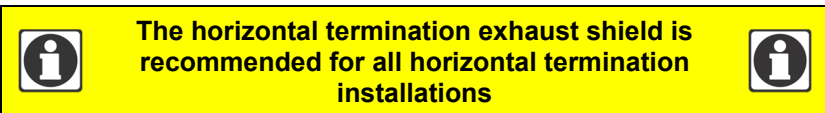
- The vent must maintain the required clearance to combustibles to prevent a fire. Do not fill air spaces with insulation.

Sides	1" (25mm)
Above	1" (25mm)
Below Horizontal or 45° Section	1" (25mm)



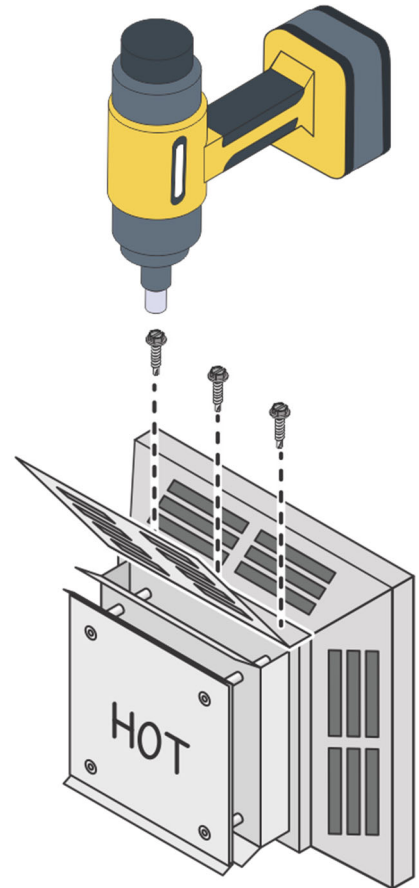
22 Finalizing the Installation (for qualified installers only)

Horizontal Termination Exhaust Shield



The shield is shipped loose with the fireplace and is installed as shown to the right.

Attach the horizontal termination shield to the top of the horizontal termination as shown below (use the (3) included self-drilling screws in the fireplace hardware pack). Note how the screws are installed from the top down.

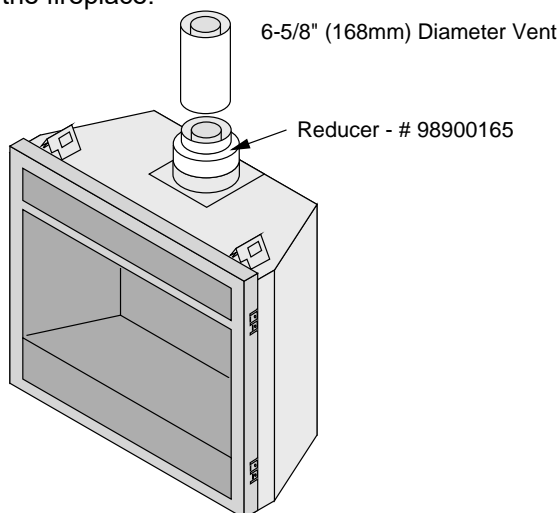


Altitude Considerations

- This heater has been tested at altitudes ranging from sea level to 6,000 feet (1800 M). In this testing we have found that the heater, with its standard orifice, burns correctly with just an air shutter adjustment.
- Failure to adjust the air shutter properly may lead to improper combustion which can create a safety hazard. Consult your dealer or installer if you suspect an improperly adjusted air shutter.

Approved Vent

- Vertical terminations may use 8" (203mm) or 6-5/8" (168mm) diameter Simpson Dura-Vent Direct-Vent Pro (or GS)*. If using 6-5/8" diameter, attach the 8" (203mm) to 6-5/8" (168mm) reducer (Travis part # 98900165) to the fireplace.



- Horizontal terminations must use 8" (203mm) diameter Dura-Vent Direct-Vent Pro (or GS)*.
- Installation instructions for Simpson Dura-Vent may be found at www.duravent.com

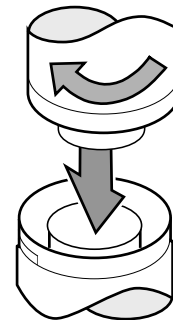
* Other vent may be approved with this fireplace. Check with the vent manufacturer for details.

Approved Terminations

- Vertical terminations must use the high-wind termination (46DVA-VCH or 58DVA-VCH)
- Horizontal terminations must use the high-wind termination (58DVA-HC) – Do not use the high-wind scone cap.

Vent Installation

- Slide the vent sections together and turn 1/4 turn until the sections lock in place.
- Screws are not required to secure the vent. However, three screws may be used to secure vent sections together if desired. Horizontal sections require a 1/4" (6mm) rise every 12" (305mm) of travel
- Horizontal sections require non-combustible support every three feet (e.g.: plumbing tape)
- Vent termination must not be located where it can become plugged by snow or other material.
- Use the vinyl siding standoff when installing on a structure with vinyl siding.
- Venting termination shall not be recessed into a wall or siding.



24 Finalizing the Installation (for qualified installers only)

Approved Vent Configurations

Restrictor Position

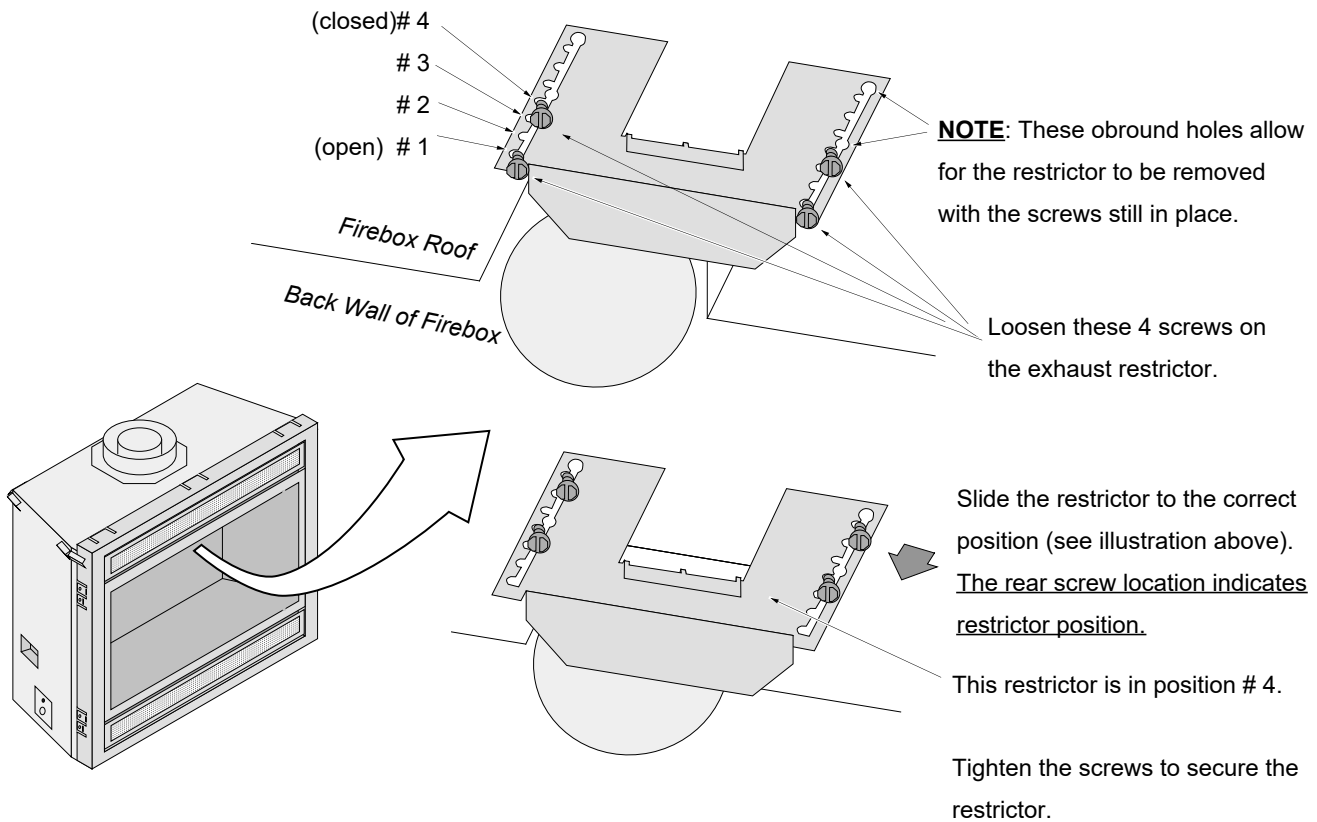
- Intake and exhaust restrictors are built into the appliance to adjust the flow rate of intake air and exhaust gases. Depending upon the vent configuration, you may be required to adjust the restrictor positions. The charts for acceptable vent configurations detail the correct vent restrictor positions.

Exhaust Restrictor Adjustment



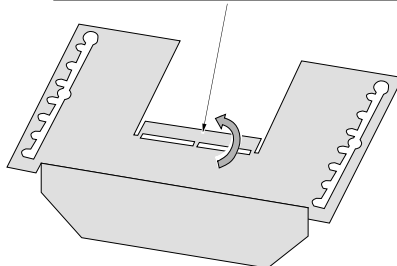
If the diffuser is required to be in position # 2, you may wish to adjust the diffuser while the exhaust restrictor is removed.

NOTE: If removing the restrictor, make sure to replace the screws in the firebox ceiling.



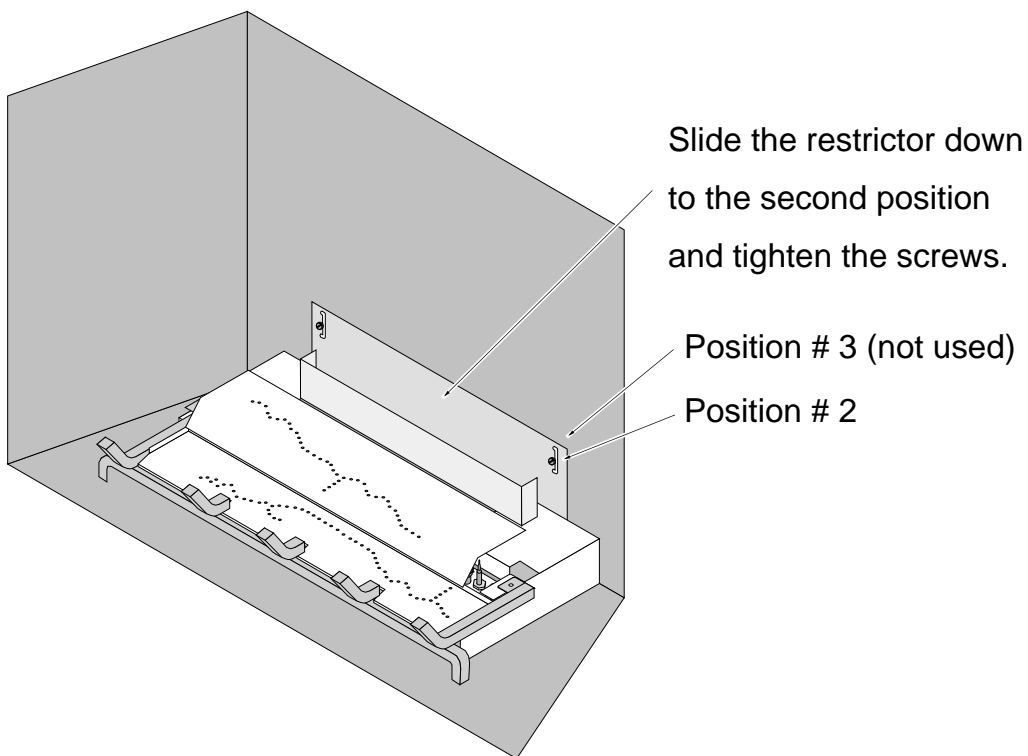
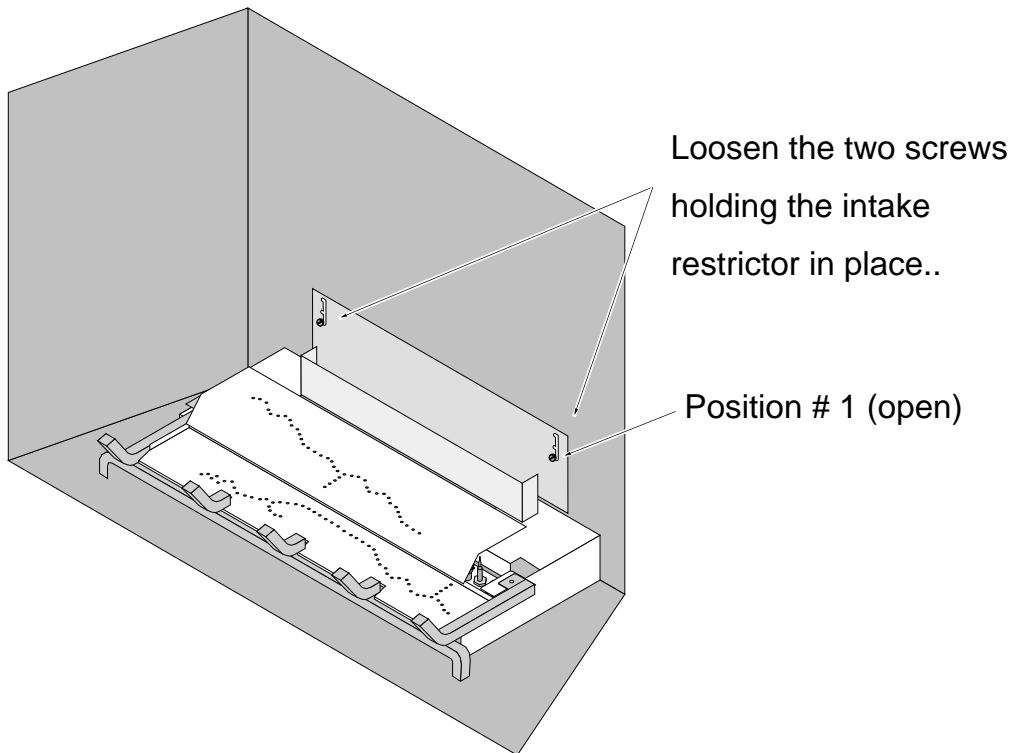
WHEN USING POSITION #4 (OR GREATER

BEND THIS FLANGE DOWN FLAT



Intake Restrictor Adjustment

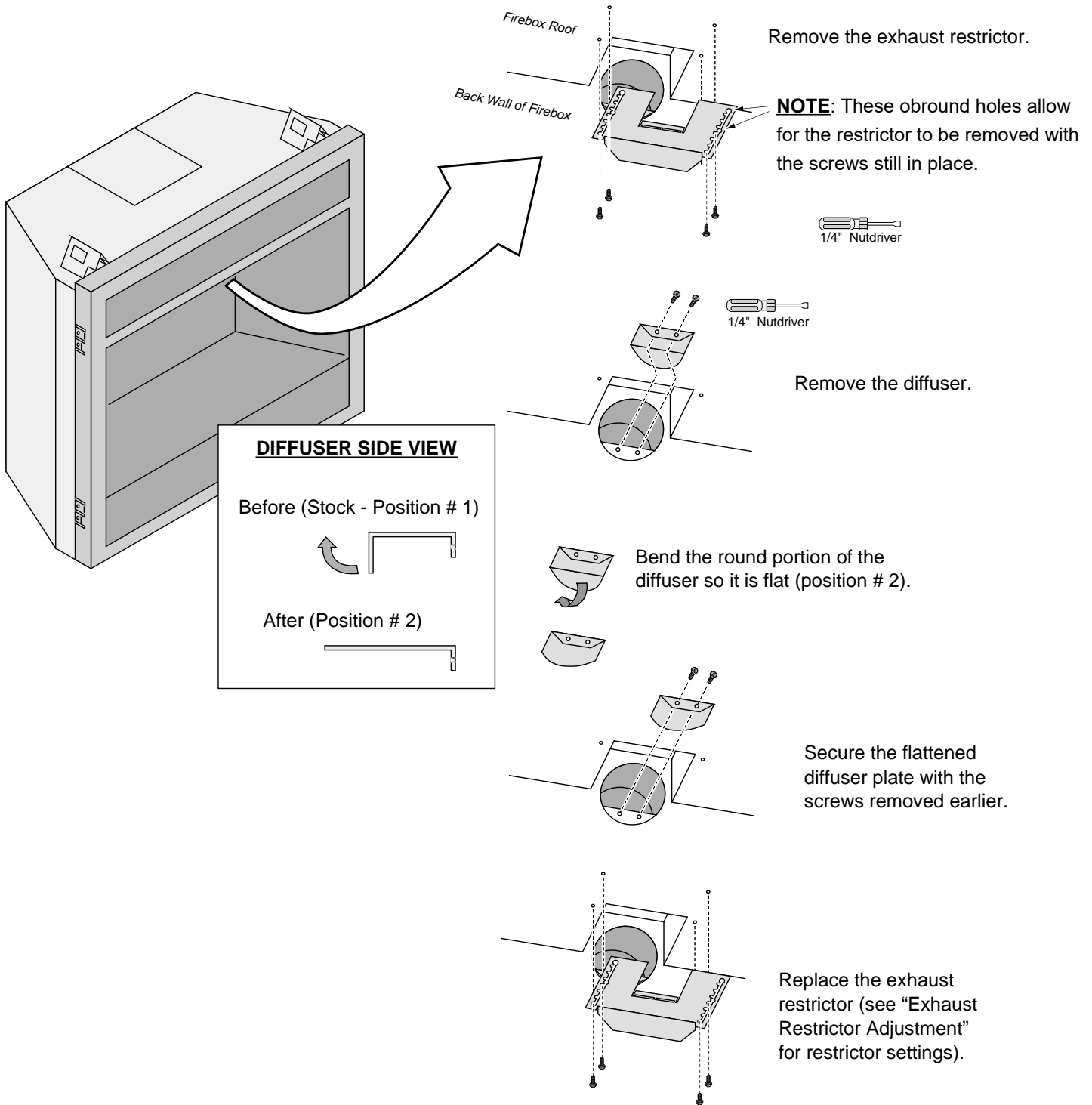
The intake restrictor is located on the back wall of the firebox. To adjust the restrictor, follow the steps below:



26 Finalizing the Installation (for qualified installers only)

Diffuser Plate Adjustment

Certain vent configurations require the diffuser plate to be adjusted (refer to the approved vent configuration charts for details). Position # 1 is stock (bent). Position # 2 is flattened. See the directions below to change the diffuser to position #2.

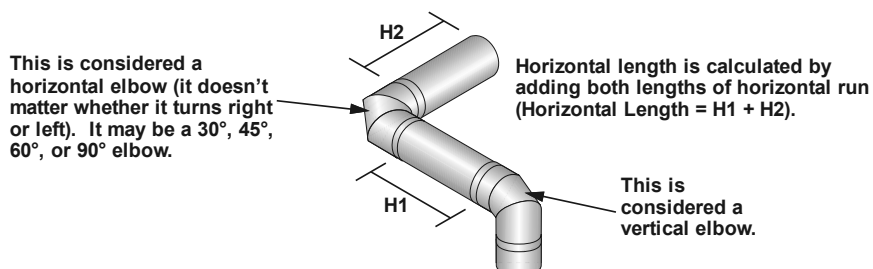
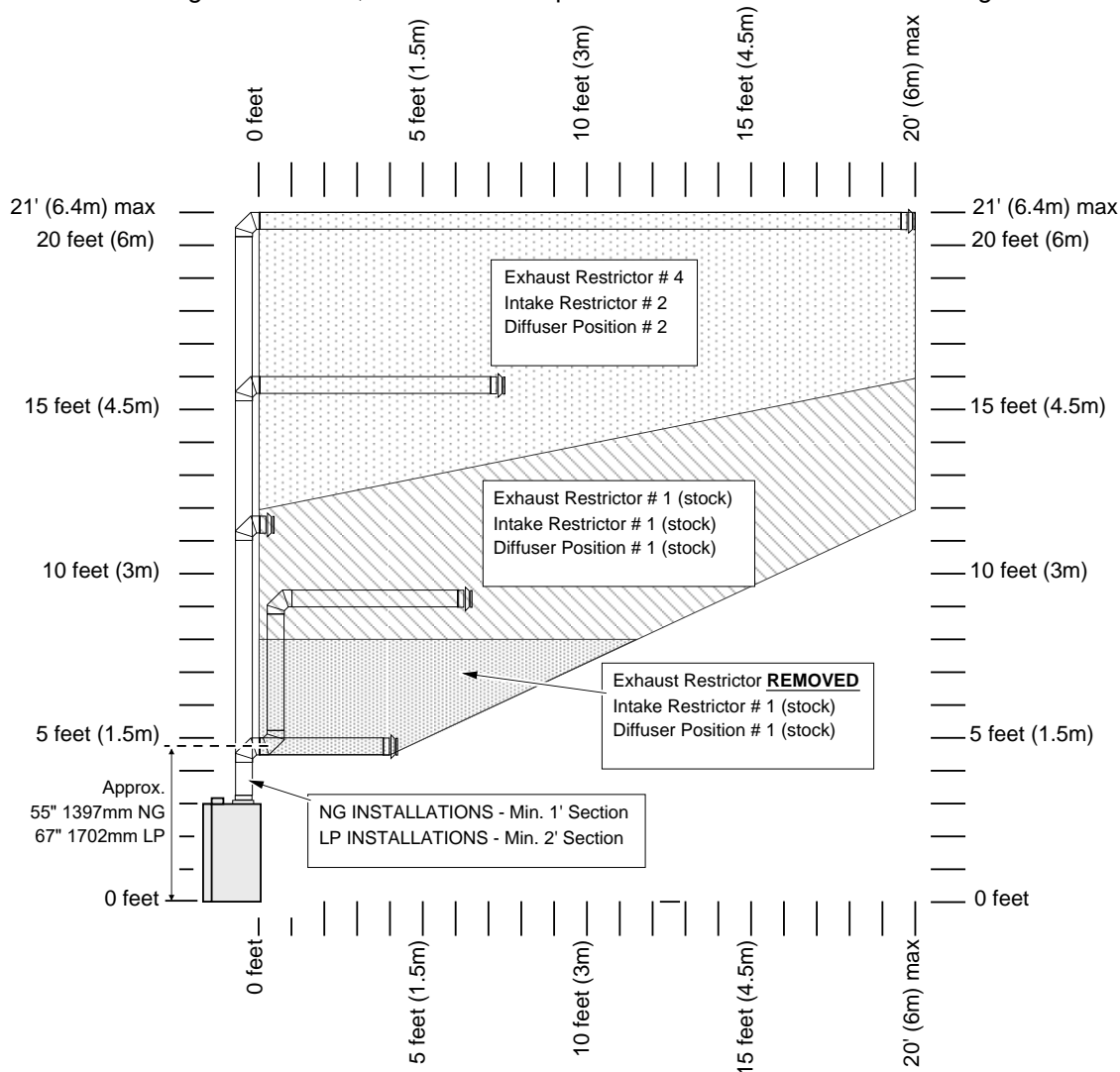


Vent Configuration - Horizontal Termination

- The termination must fall within the shaded area shown in the chart. Use the indicated restrictor and diffuser positions.
- Up to four elbows (30°, 45°, 60° or 90°) may be used.
- Use 8" (203mm) diameter vent (see page for 23 details).
- Only one horizontal elbow may be used.

- **NG Installations require 1' Vertical Vent Section Directly off Top of Fireplace**
- **LP Installations require 2' Vertical Vent Section Directly off Top of Fireplace**

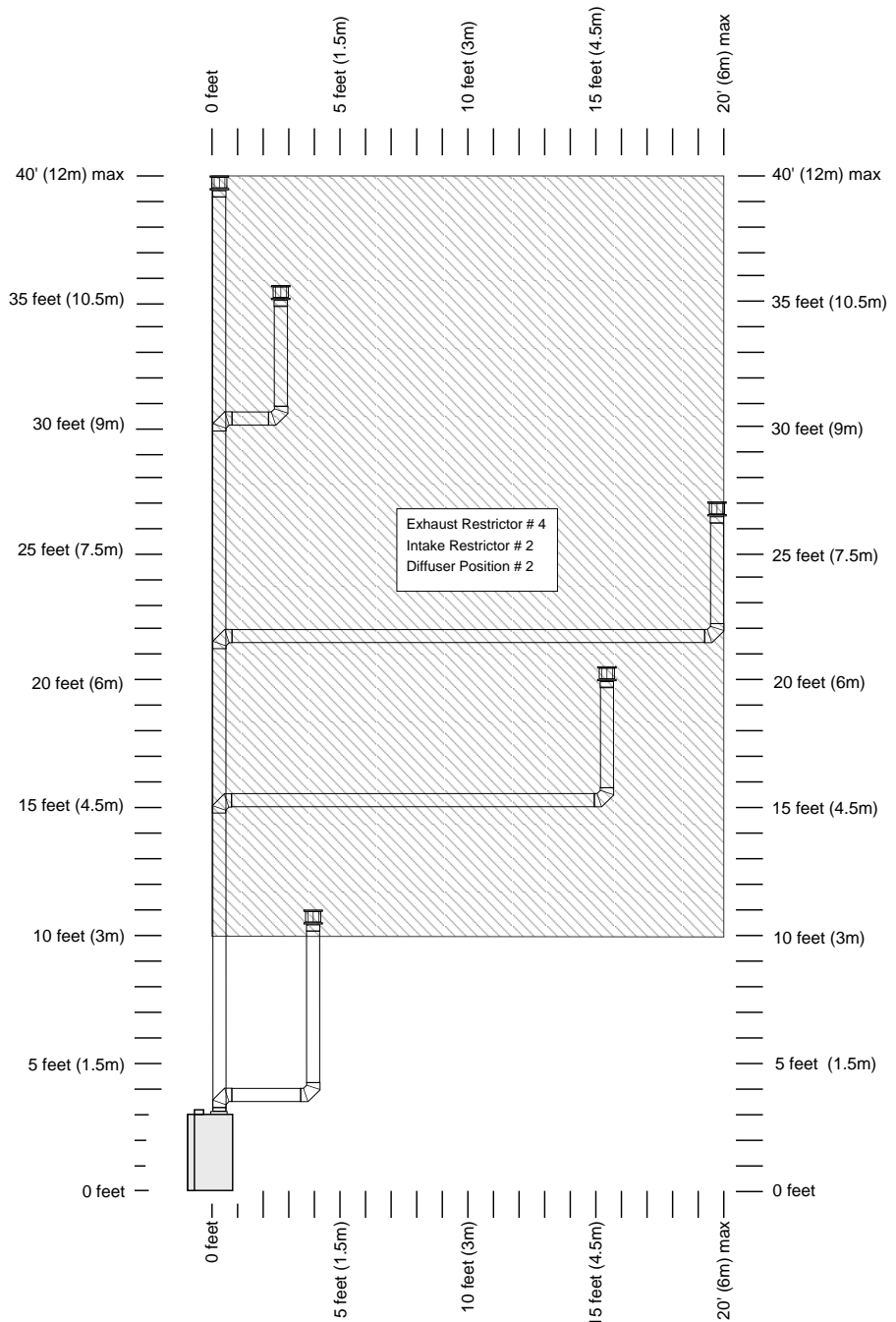
NOTE: If removing the restrictor, make sure to replace the screws in the firebox ceiling.



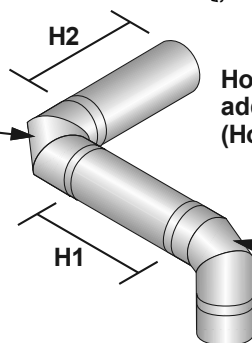
28 Finalizing the Installation (for qualified installers only)

Top Vent Configuration with Vertical Termination

- The termination must fall within the shaded area shown in the chart. Use the indicated restrictor and diffuser positions.
- Up to four elbows (30°, 45°, 60° or 90°) may be used.
- Only one horizontal elbow may be used.
- May use 8" (203mm) or 6-5/8" (168mm) diameter vent (see page for 23 details).



This is considered a horizontal elbow (it doesn't matter whether it turns right or left). It may be a 30°, 45°, 60°, or 90° elbow.



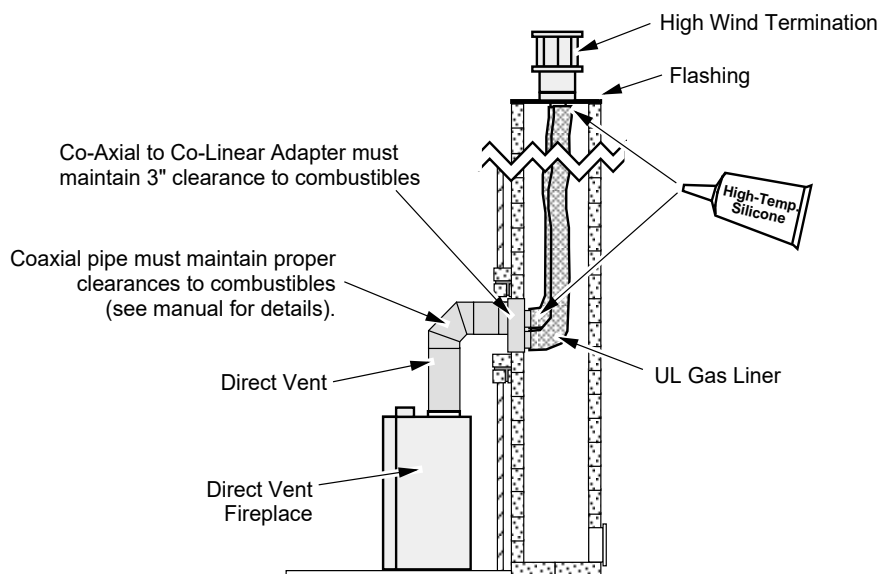
Horizontal length is calculated by adding both lengths of horizontal run (Horizontal Length = H1 + H2).

This is considered a vertical elbow.

Masonry Chimney Conversions

The vent may be adapted to utilize an existing masonry fireplace using the Duravent Co-Linear Adapter (sku#96200328). The vent must be installed following all directions included with the vent and those listed below:

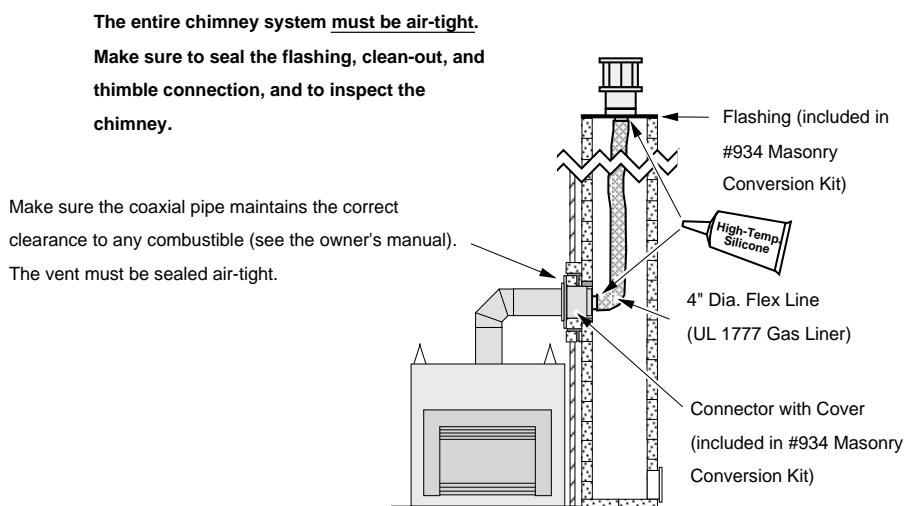
- All requirements in the appliance manual must be met. This includes compliance with vent configuration charts.
- The restrictor position should be set to the position that most closely resembles the vent configuration. NOTE: because this installation utilizes non-standard vent, the restrictor position may vary. Carefully monitor the burn characteristics to verify correct restrictor position.
- The UL gas liner must only be run through the fireplace/chimney (entire length of liner must be retained within the fireplace/chimney). Do not run the liner near combustibles.



This appliance may utilize 6-5/8" diameter direct vent manufactured by Duravent (reducer may be required). The vent may be adapted to utilize an existing masonry fireplace using the Duravent Masonry Chimney Conversion Kit (part # 46DVA-KMC). The vent must be installed following all directions included with the vent and those listed below:

NOTE: Before proceeding with the following installation example, check with the local building jurisdiction to verify that this type of installation is allowed in your area.

- All requirements in the appliance manual must be met. This includes compliance with vent configuration charts.
- The restrictor position should be set to the position that most closely resembles the vent configuration. NOTE: because this installation utilizes non-standard vent, the restrictor position may vary. Carefully monitor the burn characteristics to verify correct restrictor position.
- The UL gas liner must only be run through the fireplace/chimney (entire length of liner must be retained within the fireplace/chimney). Do not run the liner near combustibles.



30 Finalizing the Installation (for qualified installers only)

Class A Chimney Conversion

Duravent provides a conversion kit for those wishing to use an existing class A chimney to vent this direct fireplace. The illustration below gives an overview of this type of installation. See the instructions included with the kit for details.

- All requirements in the appliance manual must be met. This includes compliance with vent configuration charts. Remember to set the restrictor position to the correct position (based upon the vertical rise height - see the vent charts in the appliance manual).
- These conversion kits does not work on interior masonry chimneys.
- The measurements below refer to the Chimney Inside Diameter

Chimney Conversion Kit A (46DVA-KCA)

6" DuraTech
6" Security Chimney
6" Metalbestos
6" Jackes-Evans
6" Hart & Cooley
6" Pro-Jet

Chimney Conversion Kit B (46DVA-KCB)

6" DuraPlus
7"-8" DuraTech
8" Security Chimneys
7"-8" Metalbestos
7"-8" Jackes-Evans
7"-8" Hart & Cooley
7"-8" Pro-Jet
6"-7" Amer. Metals
6"-7" Metal-Fab
6" Air-Jet

Chimney Conversion Kit C (46DVA-KCC)

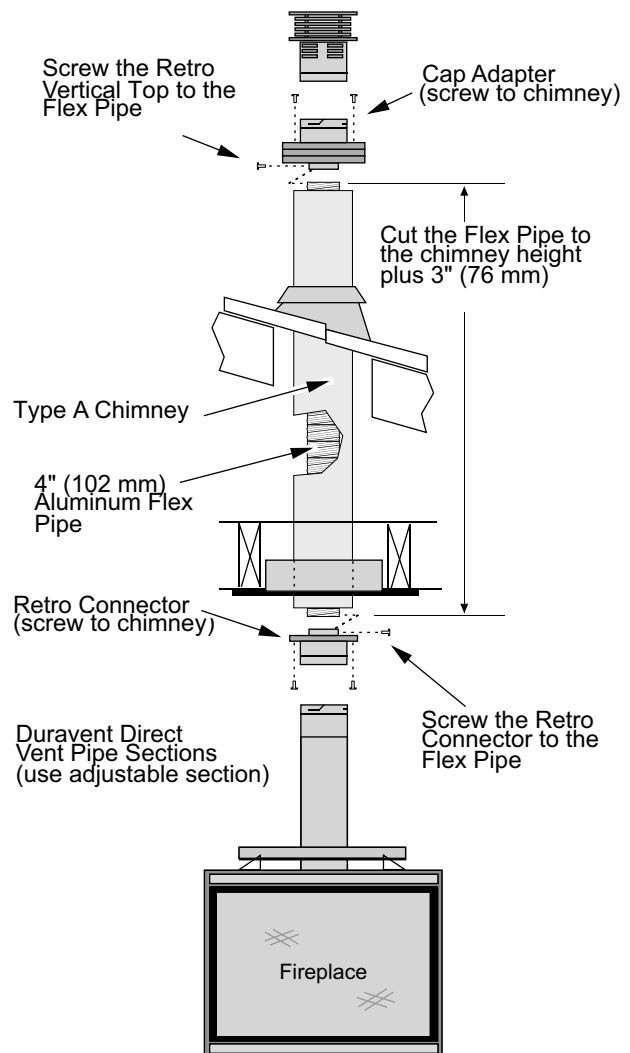
7"-8" DuraPlus
8" American Metals
8" Air-Jet
8" Metal-Fab

Each Kit Contains:

Cap Adapter
Retro Connector

Additional Required Equipment:

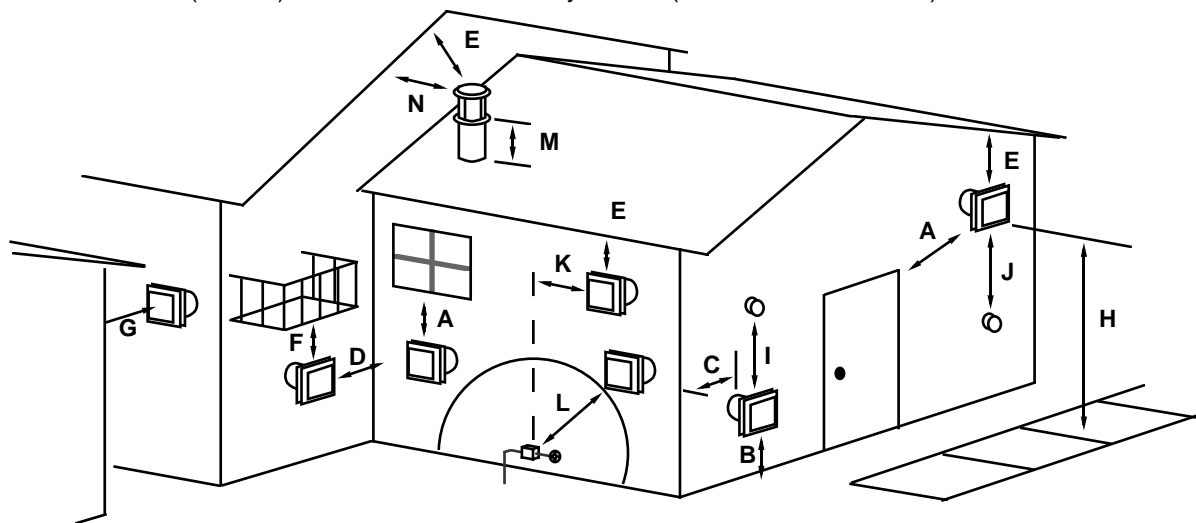
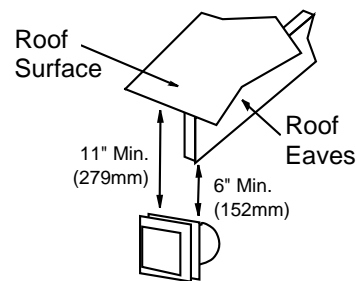
4" Flex (#711 or U.L. 1777)
Termination (46DVA-VCH)
Co-Axial Sections



Termination Requirements

! Venting terminals shall not be recessed into a wall or siding.

- A Minimum 9" (229mm) clearance from any door or window
- B Minimum 12" (305mm) above any grade, veranda, porch, deck, or balcony
- C Minimum 1" (25mm) from outside corner walls
NOTE: Clearance in accordance with local installation codes and the requirements of the gas supplier.
- D Minimum 1" (25mm) from inside corner walls
NOTE: Clearance in accordance with local installation codes and the requirements of the gas supplier.
- E Minimum 11" (279mm) clearance below unventilated soffits or roof surfaces
Minimum 18" (457mm) clearance below ventilated soffits
Minimum 6" (152mm) clearance below roof eaves
NOTE: Vinyl surfaces require 24" (610mm)
NOTE: Clearance in accordance with local installation codes and the requirements of the gas supplier.
- F Minimum 12" (305mm) clearance below a veranda, porch, deck, or balcony
NOTE: Permitted only if veranda, porch, deck, or balcony is fully open on a minimum of two sides beneath the floor.
NOTE: Clearance in accordance with local installation codes and the requirements of the gas supplier.
- G Minimum 48" (1219mm) clearance from any adjacent building
- H Minimum 84" (2134mm) clearance above any grade when adjacent to public walkways or driveways
NOTE: may not be used over a walkway or driveway shared by an adjacent building
- I Minimum 9" (229mm) clearance to any non-mechanical air supply inlet to the building or the combustion air inlet to any other appliance.
- J Minimum 36" (914mm) clearance above any mechanical air supply inlet if within 10' (3M) horizontally
- K Minimum 36" (914mm) from the area above the meter/regulator (vent outlet) - this extends 15' (4.5M) above the regulator
NOTE: Clearance in accordance with local installation codes and the requirements of the gas supplier.
- L Minimum 36" (914mm) from the meter/regulator (vent outlet)
NOTE: Clearance in accordance with local installation codes and the requirements of the gas supplier.
- M Minimum 12" (305mm) above the roof line (for vertical terminations)
- N Minimum 24" (610mm) horizontal clearance to any surface (such as an exterior wall) – for vertical terminations



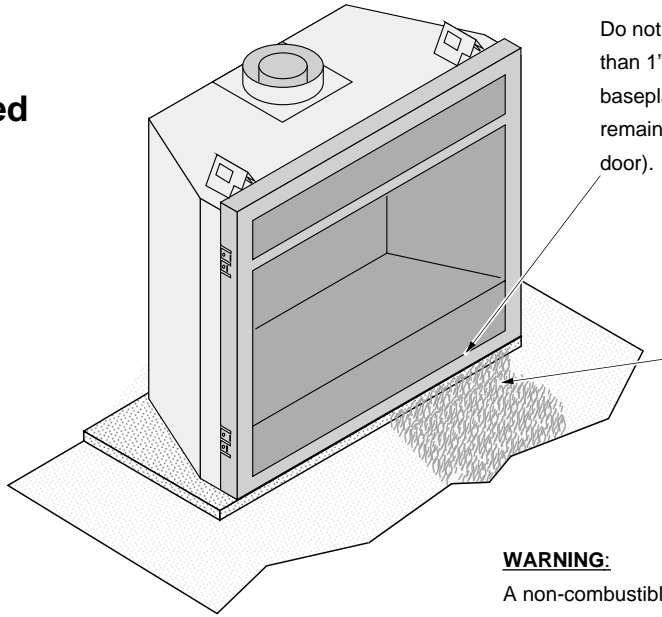
NOTE: Measure clearances to the nearest edge of the exhaust hood.

- Use the vinyl siding standoff when installing on an exterior with vinyl siding.
- Use the vinyl siding termination heat shield when installing on an exterior with vinyl siding.
- Vent termination must not be located where it will become plugged by snow or other material

32 Finalizing the Installation (for qualified installers only)

Hearth Requirements

Floor Mounted Fireplaces



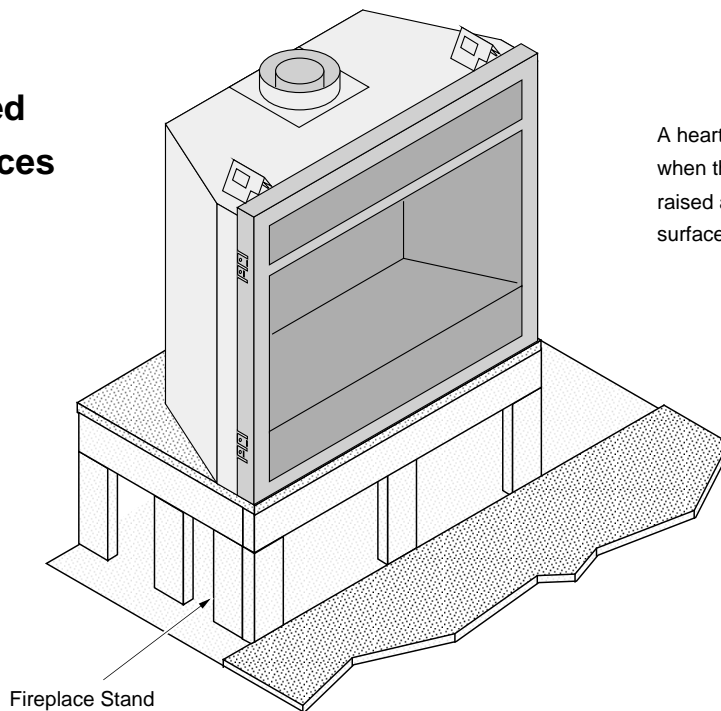
Do not build a hearth more than 1" (25mm) above the baseplate (this area must remain clear for the access door).

If installed near carpet or other combustible flooring, the fireplace must be raised so the base of the unit is above the carpet surface or flooring material.

WARNING:

A non-combustible hearth is not required. However, if the heater is installed next to the floor, we recommend a hearth to protect the flooring surface from discoloration or other negative impact from the heater.

Raised Fireplaces



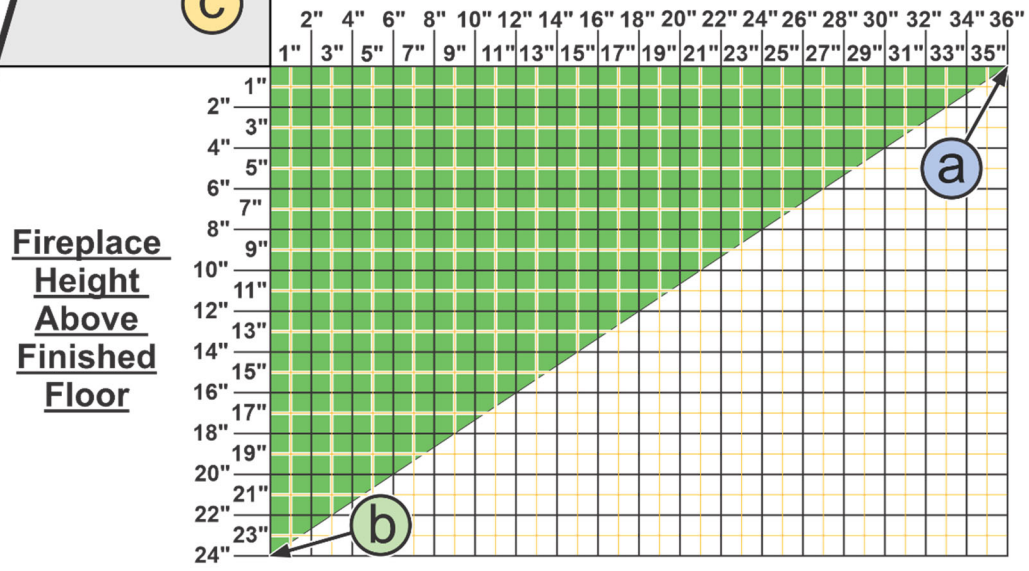
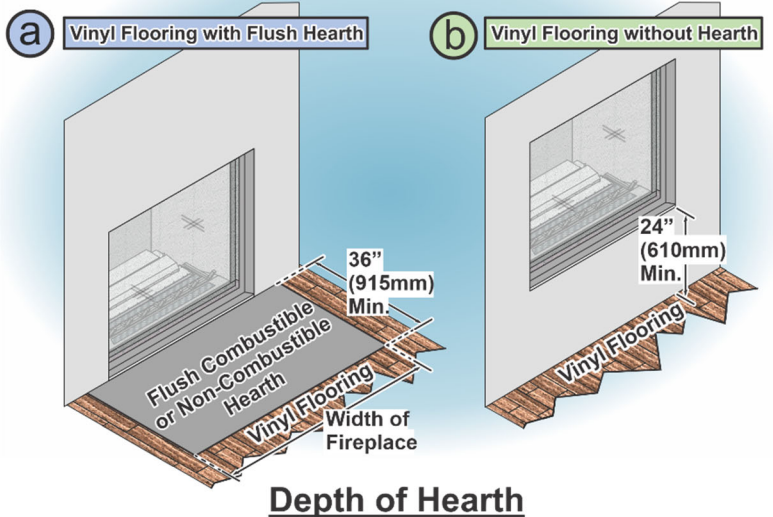
A hearth is not required when the fireplace is raised above the flooring surface.

Vinyl Flooring Hearth Recommendations

Vinyl flooring such as Luxury Vinyl Plank (LVP), Luxury Vinyl Tile (LVT), and other vinyl flooring can be sensitive to radiant heat and changes in temperature. If using vinyl flooring, we recommend installing the fireplace following the guidelines below. If these recommendations are not followed, the heat from the fireplace may cause discoloration, warping or other negative impacts.

NOTE: If using one of the hearth options, make sure to maintain the gap recommended by the manufacturer between the flooring and the hearth. Seal the gap with a flexible caulk to allow for expansion and contraction of the flooring.

- a** Install the fireplace at floor level with a 36" (915mm) deep flush hearth (either combustible or noncombustible). The minimum width of the hearth is equal to the width of the outer zero-clearance box of the fireplace.
- b** Elevate the fireplace 24" (610mm) above the vinyl floor and no hearth is required. The vinyl flooring can be installed up to the wall.
- c** Determine the height that the fireplace will sit above the finished floor and use the chart to the right to determine the minimum recommended hearth depth.



Inch	1"	2"	3"	4"	5"	6"	7"	8"	9"	10"	11"	12"	13"	14"	15"	16"	17"	18"
mm	25	51	77	102	127	153	178	204	229	254	280	305	331	356	381	407	432	458
Inch	19"	20"	21"	22"	23"	24"	25"	26"	27"	28"	29"	30"	31"	32"	33"	34"	35"	36"
mm	483	508	534	559	585	610	635	661	686	712	737	762	788	813	839	864	889	915

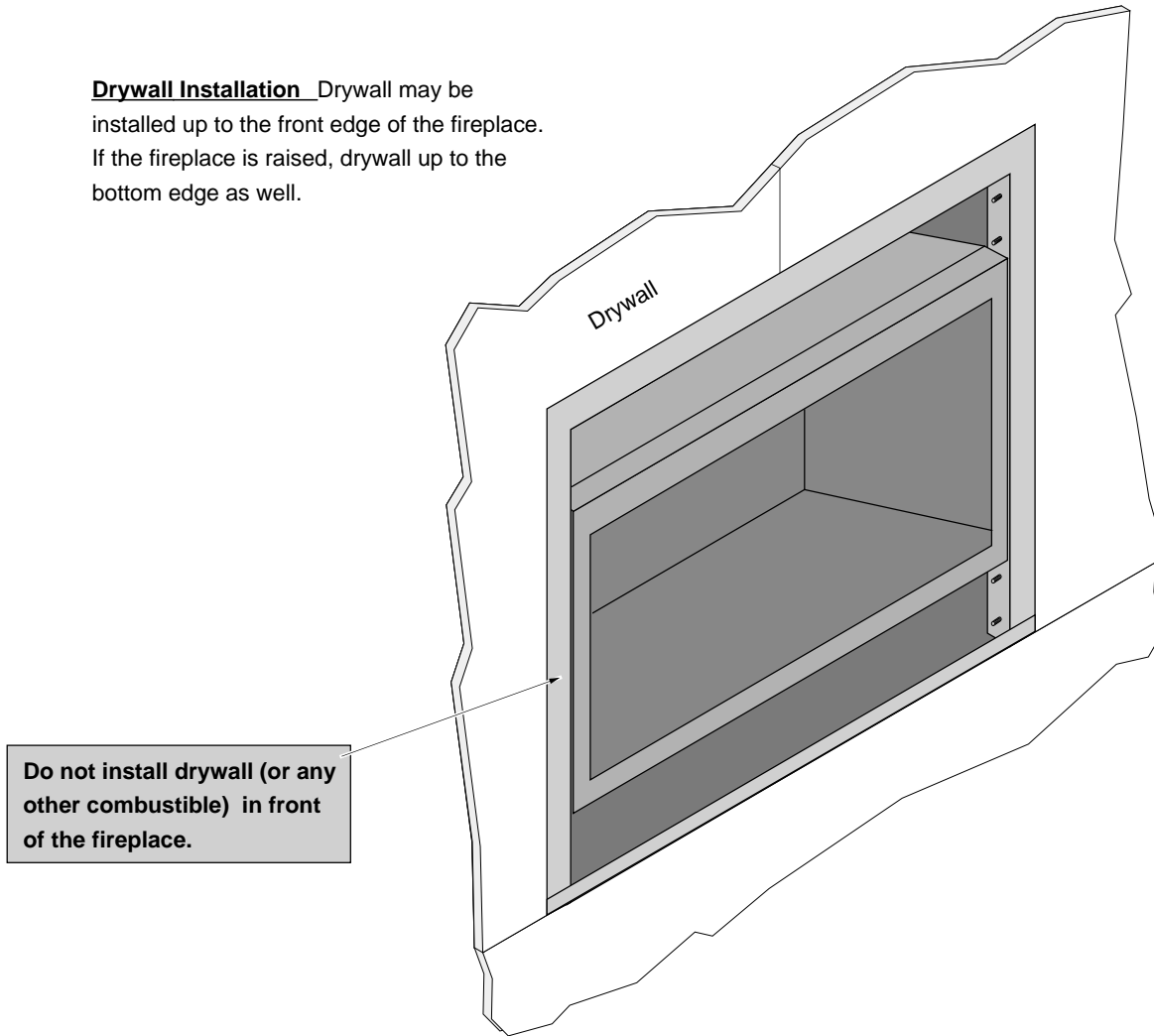
34 Finalizing the Installation (for qualified installers only)

Facing Requirements

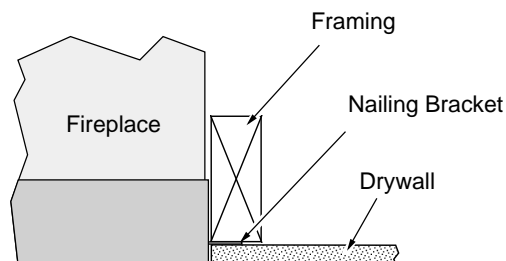
- This appliance is designed to allow for drywall (or other combustible facing) to contact the sides and top of the front of the fireplace.
- Tile or other non-combustible facing may be placed on the front of the fireplace (see "Facing Overview" on page 35 for further details).

Drywall Installation

Drywall Installation Drywall may be installed up to the front edge of the fireplace. If the fireplace is raised, drywall up to the bottom edge as well.



TOP VIEW



Facing Overview



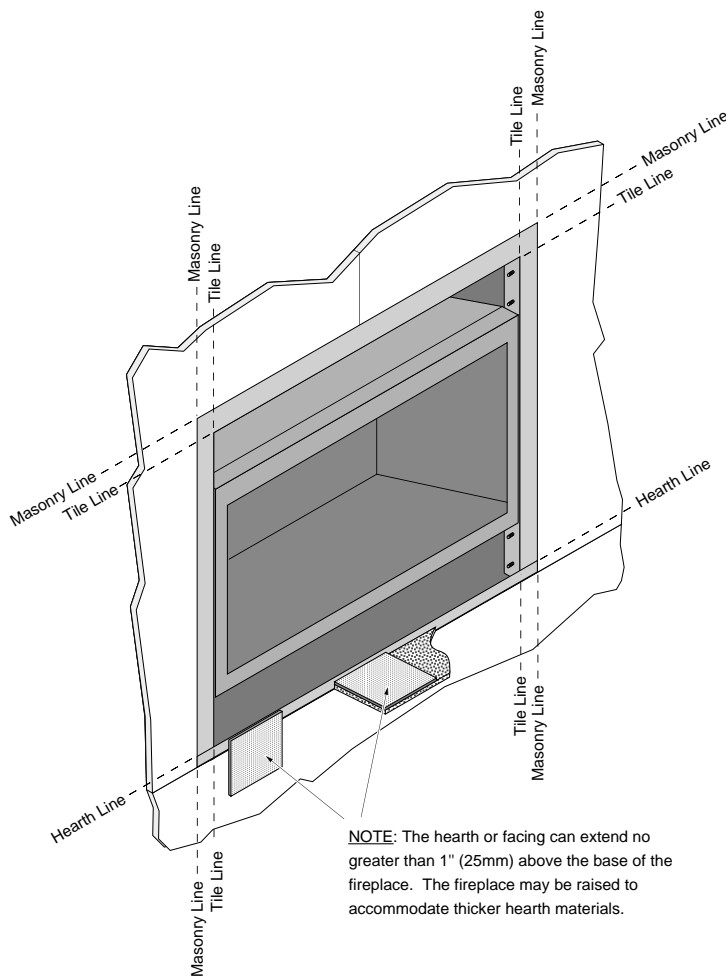
Upgrade faces are available for this fireplace and may influence facing installation. Consult with your Travis Dealer if you are using an upgrade face.

Optional non-combustible facing may be installed on the fireplace. Use the guidelines below to determine the location (also see the following pages for detailed diagrams).

Tile Line Any non-combustible facing under 1" (25mm) thick (see "Thin Facing" on page 36).

Masonry Line Any non-combustible over 1" (25mm) thick (see "Thick Facing" on page 38).

Hearth Line Non-combustible hearth/facing should be installed up to this location (1" (25mm) above the base of the fireplace). The fireplace may be raised to accommodate thicker hearth materials.



Optional Faceplates



Upgrade faces are available for this fireplace that may influence facing installation. Refer to the face installation instructions for face sizing and installation considerations.

Name	Height	Width	Notes
FPX Artisan, Classic, Fr Ctry	35.75" (908mm)	41" (1041mm)	45-3/4" (1162mm) Radius – May fit over top of tile facing
Legacy Face	35.75" (908mm)	41" (1041mm)	May fit over top of tile facing
Shadowbox	38.0625" (967mm)	50" (1270mm)	Face extends 1" below base of fireplace

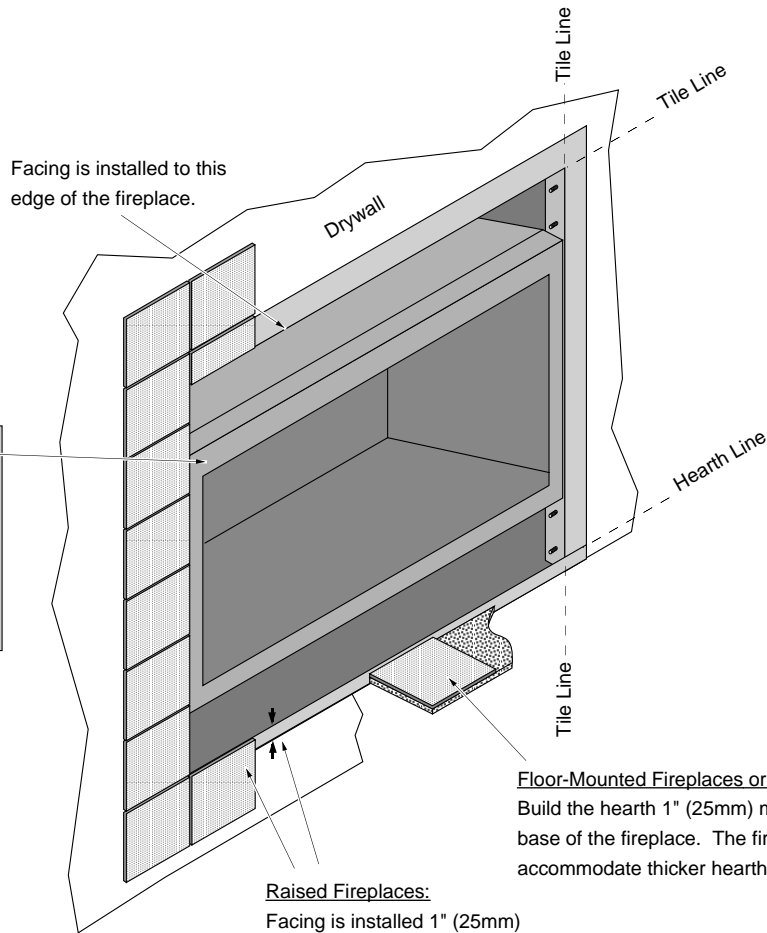
36 Finalizing the Installation (for qualified installers only)

Thin Facing Installation (tile, marble, or other non-combustible under 1" (25mm) thick)



Upgrade faces are available for this fireplace and may influence facing installation. Consult with your Travis Dealer if you are using an upgrade face.

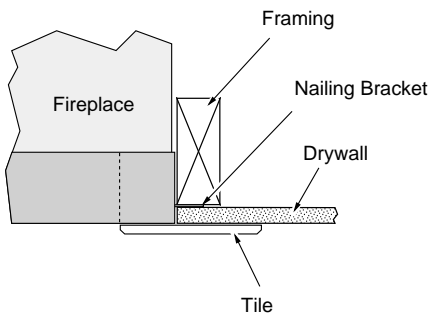
Do not install tile (or other material) in front of the glass frame, convection channel, or access panel openings. This area must remain open to access internal components and for convection air.



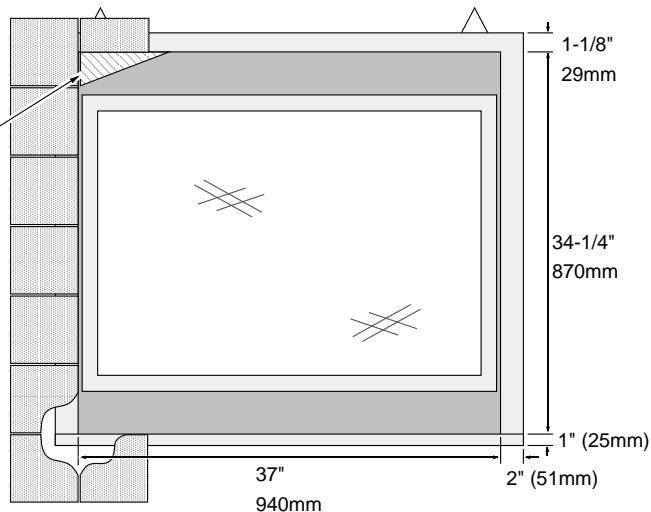
Floor-Mounted Fireplaces or Raised Hearths: Build the hearth 1" (25mm) maximum above the base of the fireplace. The fireplace may be raised to accommodate thicker hearth materials.

Raised Fireplaces: Facing is installed 1" (25mm) maximum above the base of the fireplace.

TOP VIEW

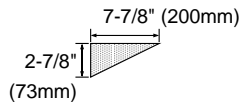


FRONT VIEW



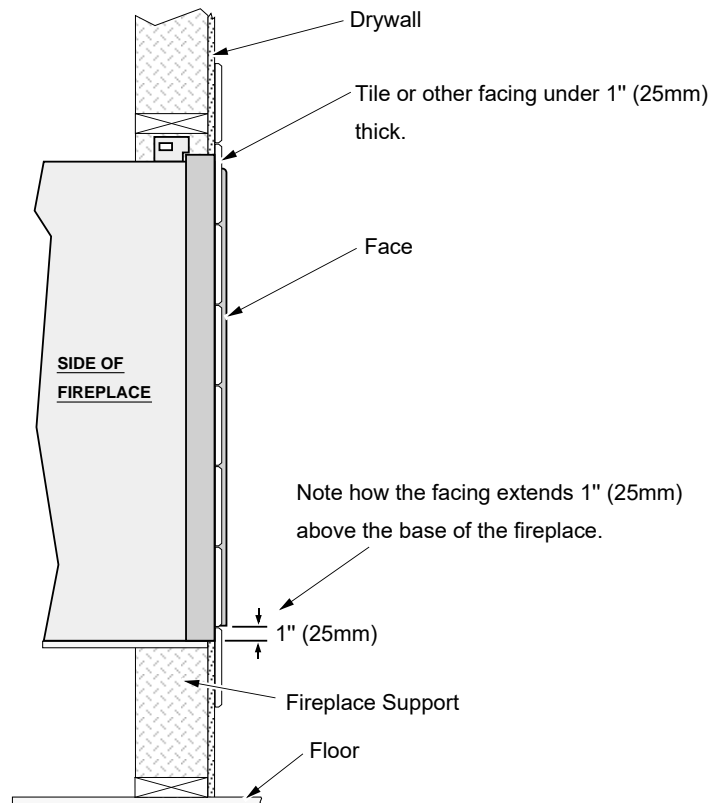
NOTE FOR FPX FACES:

FPX arched faces require the FPX Face Upgrade Kit (sku 98500686) and a triangular piece of facing in these upper corners. See the instructions included with the face for further details.

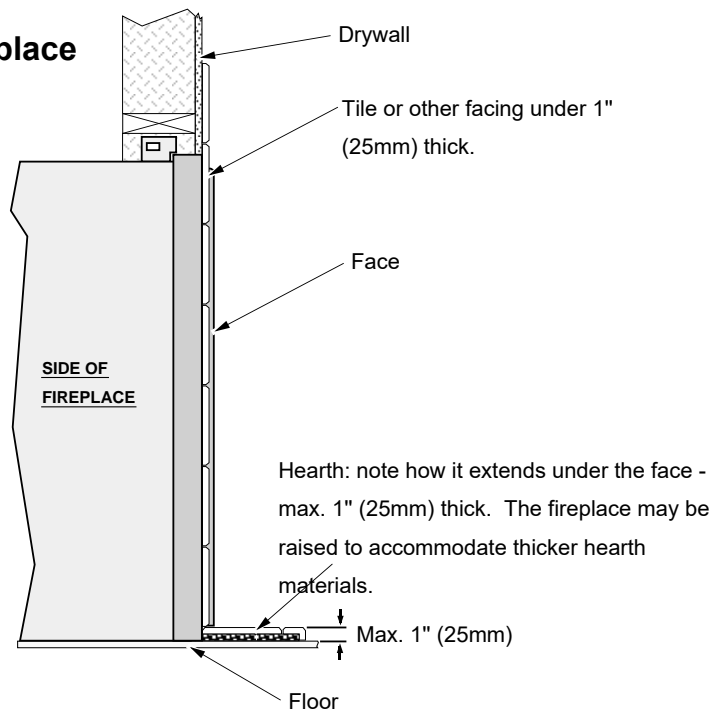


Thin Facing Installation (tile, marble, under 1" (25mm) thick) - Side View

Raised Fireplace (with no Hearth)



Floor-Mounted Fireplace (with Hearth)



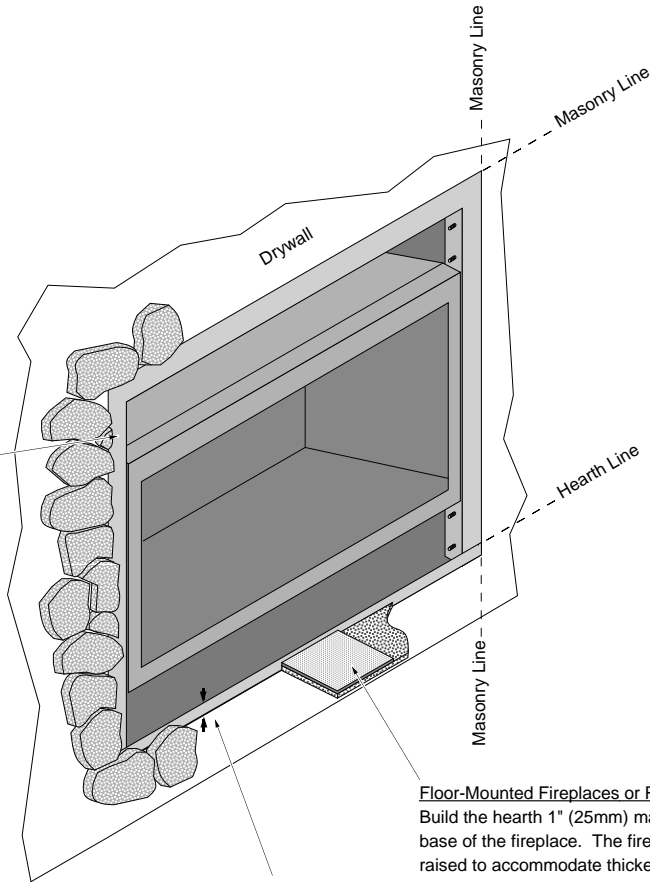
38 Finalizing the Installation (for qualified installers only)

Thick Facing Installation (stone, brick, or other non-combustible over 1" (25mm) thick)

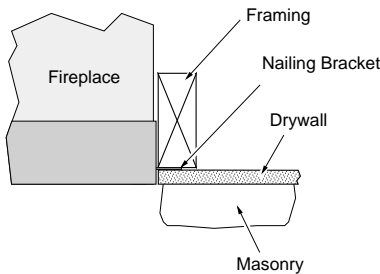


If using a Fireplace Xtrordinair (FPX) arched face, see "Thick Facing with a Fireplace Xtrordinair Arched Faces" on page 39.

Do not install masonry (or other material) in front of the fireplace. This area must remain open to install the face.



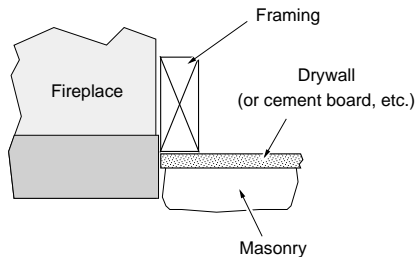
TOP VIEW - Protruding Masonry



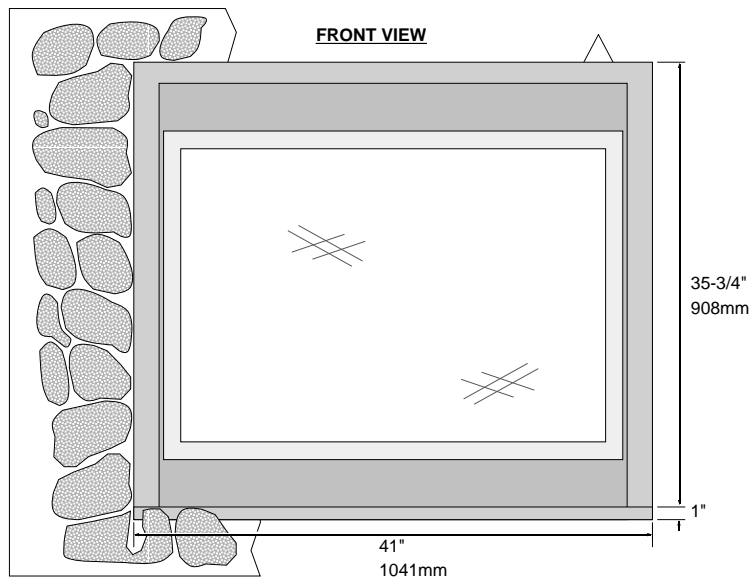
Floor-Mounted Fireplaces or Raised Hearths: Build the hearth 1" (25mm) maximum above the base of the fireplace. The fireplace may be raised to accommodate thicker hearth materials.

Raised Fireplaces: Masonry is installed 1" (25mm) maximum above the base of the fireplace.

TOP VIEW - Recessed Masonry



NOTE: The nailing brackets are not used for this type of installation - secure the fireplace to the floor with the brackets along the base of the fireplace.

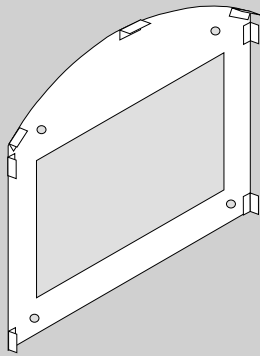


Thick Facing with Fireplace Xtrordinair (FPX) Arched Faces

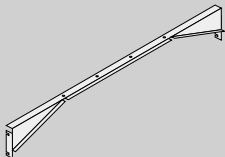


The following illustration shows facing considerations for those fireplaces utilizing FPX arched faces. The facing must be non-combustible and over 1" (25mm) in depth.

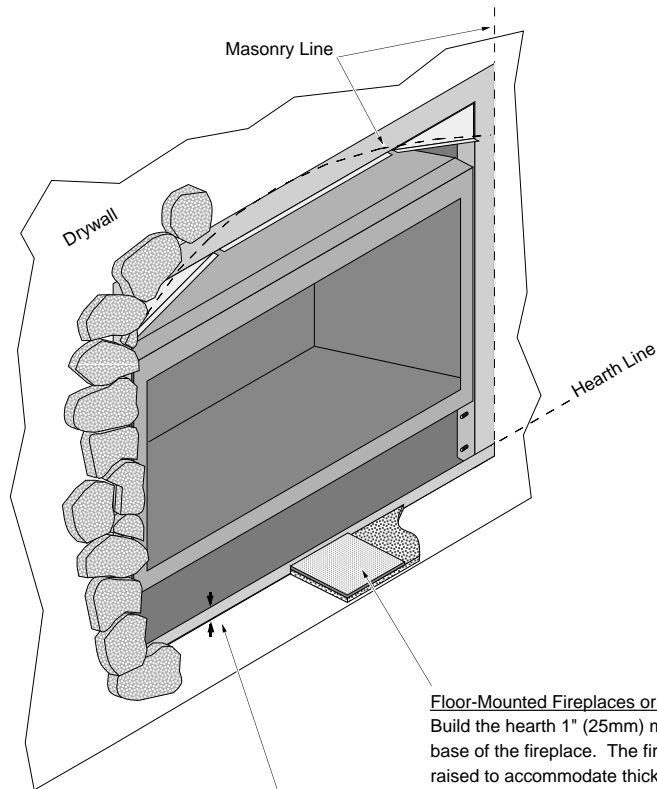
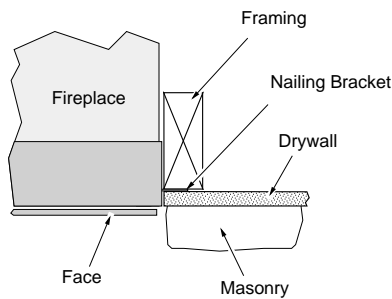
The Fireplace Xtrordinair 864 Masonry Template is recommended for masonry installation (sku 98500688). The template helps locate and support the masonry as it being installed.



Before installing masonry, install the FPX Face Upgrade Kit (98500686). This covers the upper corners.



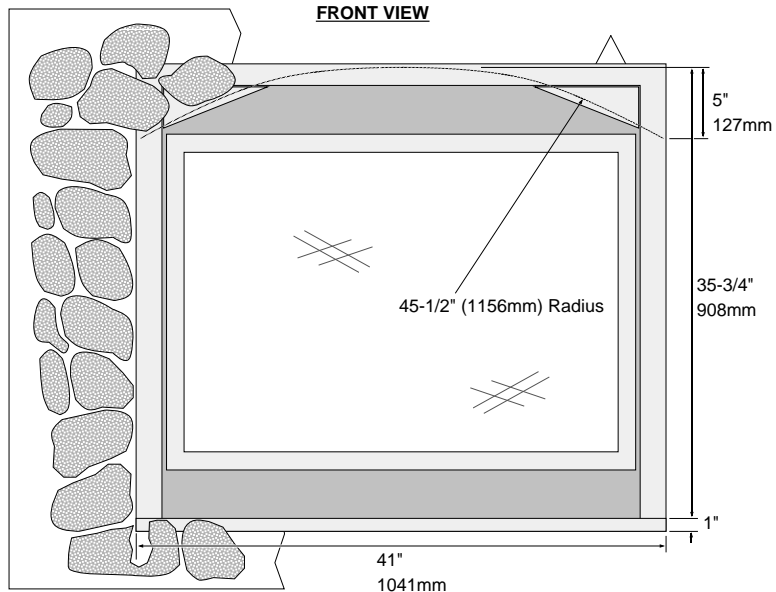
TOP VIEW



Floor-Mounted Fireplaces or Raised Hearths: Build the hearth 1" (25mm) maximum above the base of the fireplace. The fireplace may be raised to accommodate thicker hearth materials.

Raised Fireplaces: Masonry is installed 1" (25mm) maximum above the base of the fireplace.

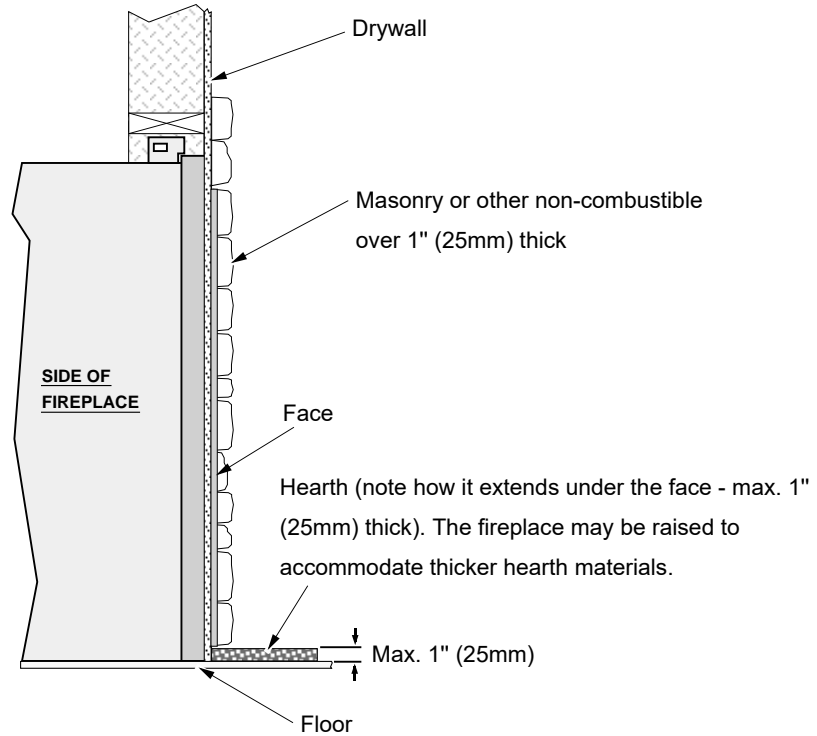
FRONT VIEW



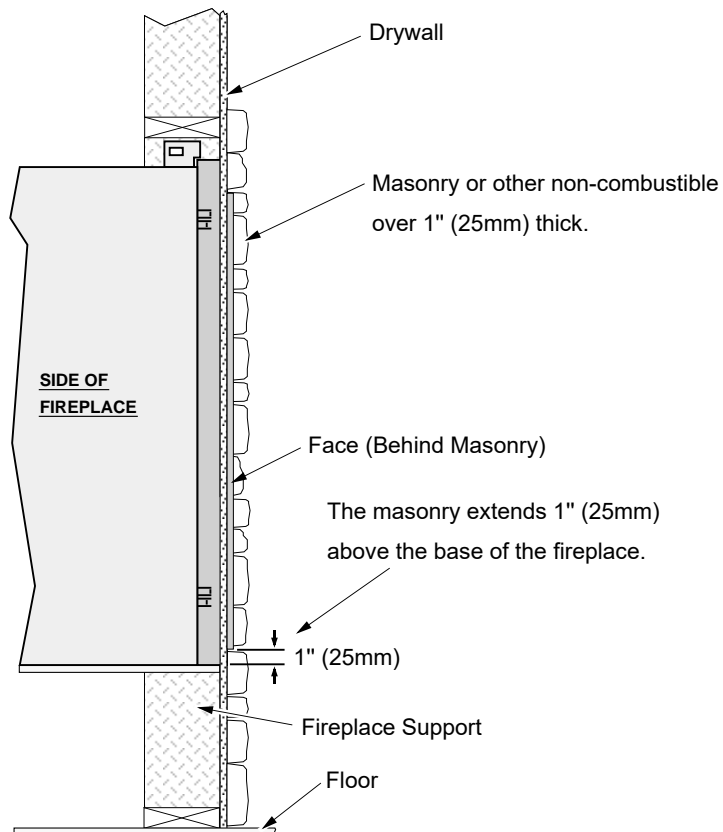
40 Finalizing the Installation (for qualified installers only)

Thick Facing Installation - Side View

Floor-Mounted Fireplace (with Hearth)



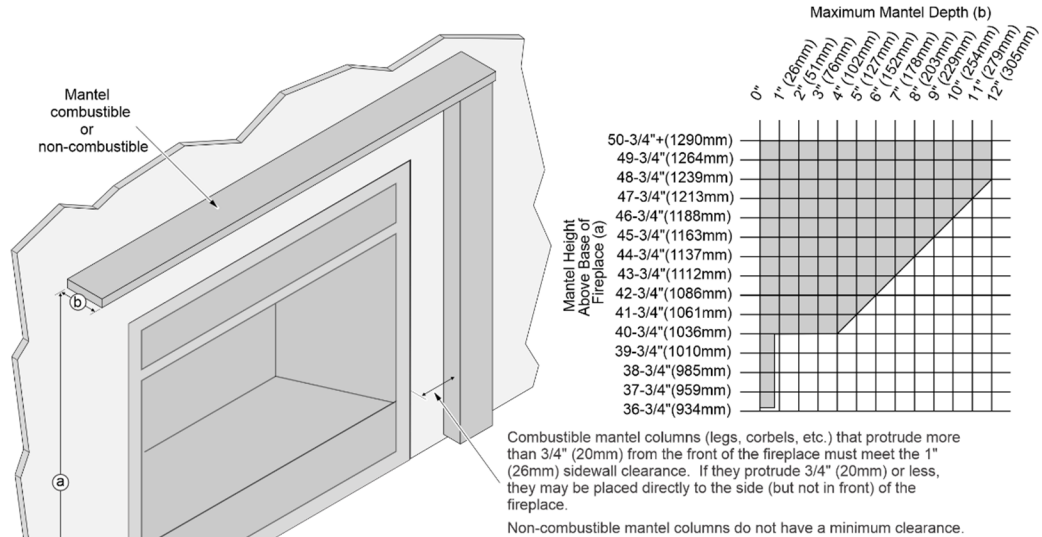
Raised Fireplace (with no Hearth)



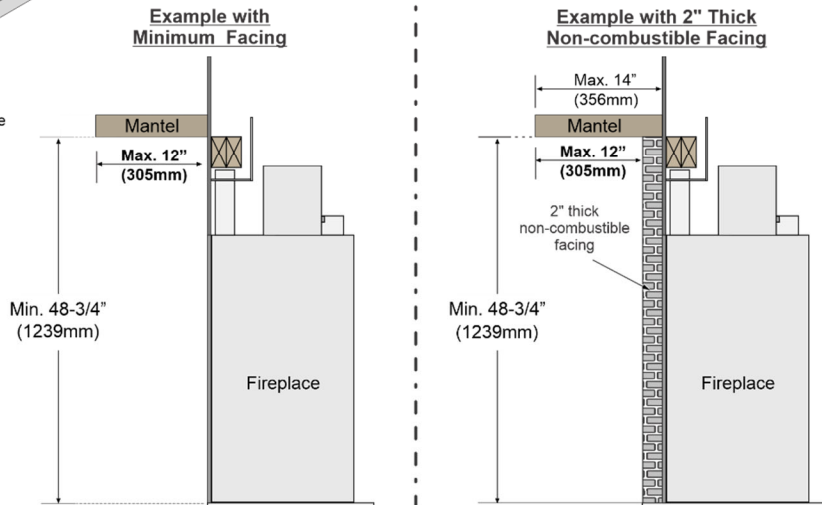
Mantel Requirements

Combustible Mantels

- Use the table below to determine the maximum mantel depth allowed. The mantel depth (measured from the front of the fireplace) must fall in the shaded portion of the table.



NOTE: Any combustible material that protrudes more than 3/4" (19mm) from the front of the facing material is considered a mantel and must meet the mantel requirements.



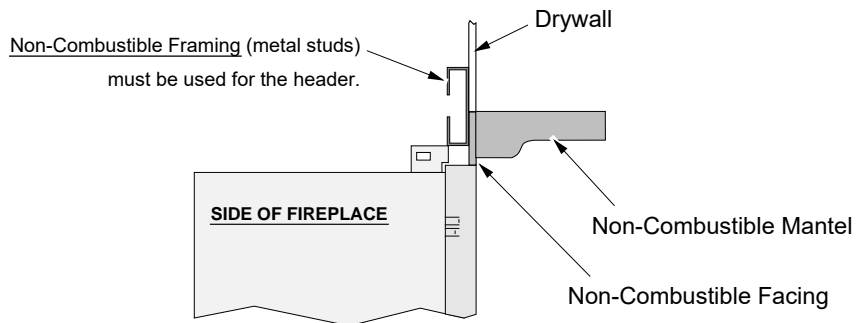
Examples:

- If you wish to have an 8" (203mm) deep mantel, it must be at least 8" (203mm) above the fireplace face (44-3/4", 1137mm above the base).
- If you wish to have a mantel 6" (152mm) above the fireplace face, it must be no deeper than 6" (152mm).

Non-Combustible Mantels

Non-combustible mantels must meet the clearances listed for combustible mantels. However, if you do wish to reduce the clearances by using a non-combustible mantel, the following requirements must be met:

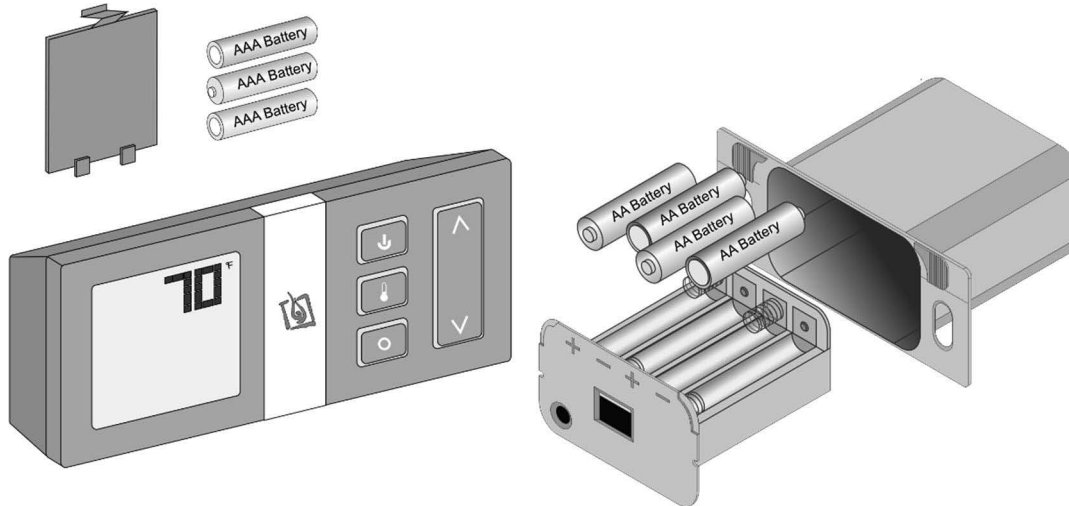
- Non-combustible mantel and facing must extend from the top of the appliance to the top surface of the mantel.
- A non-combustible header must be used (metal stud).



42 Finalizing the Installation (for qualified installers only)

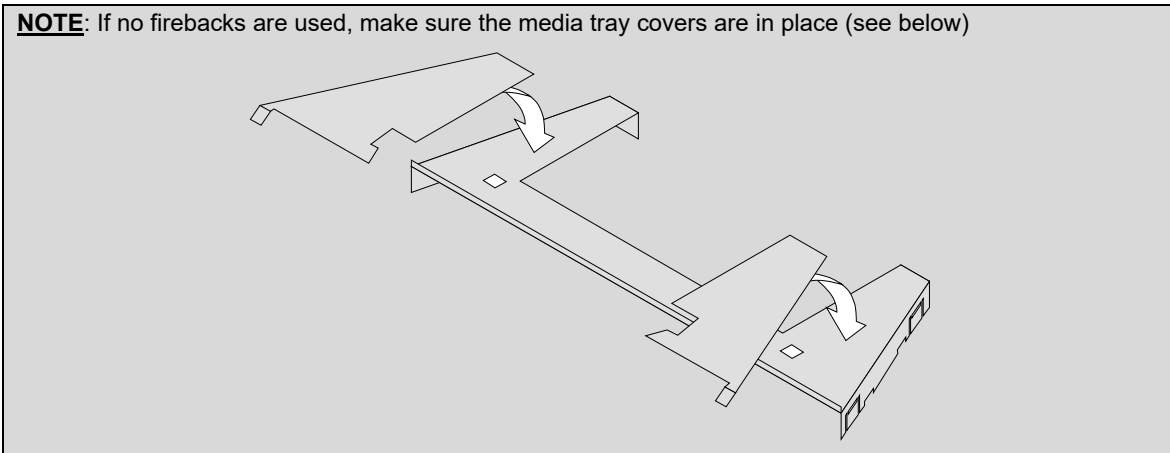
Steps for Finalizing the Installation

1. Remove the barrier and glass (see page 44).
NOTE: If using propane (LP) convert the appliance prior to installing the logs.
2. We recommend you purge the gas line at this time (with the glass removed). This allows gas to be detected once it enters the firebox, ensuring gas does not build up.
3. Install the four AA batteries (see illustration below). The AA batteries act as a power backup in case the household (AC) power goes out and are required for operation. Install three AAA batteries into the remote (see illustration below). Synchronize the transmitter to the IFC.



4. Install the firebacks (if applicable -see page 49).

NOTE: If no firebacks are used, make sure the media tray covers are in place (see below)

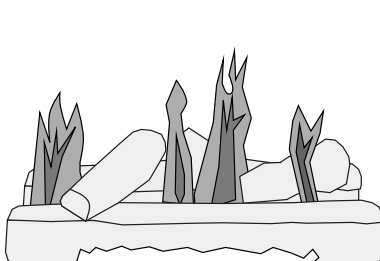


5. Install the ember chunks and emberbed glass (see page 48)
6. Install the logs (see page 47).
7. Replace the glass.
8. Start the heater.
9. Leak test all gas joints.

10. Check the air shutter following the directions below.

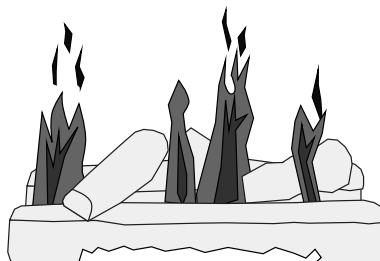
Air Shutter Adjustment

Let the heater burn for fifteen minutes (make sure the logs and glass are in place). The flames should be yellow with no sooting. Adjust the air shutter, if necessary, to achieve the correct looking flame.



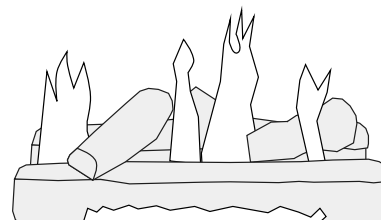
Correct

Flames should be blue at the base, yellow-orange on the top.



Not Enough Air

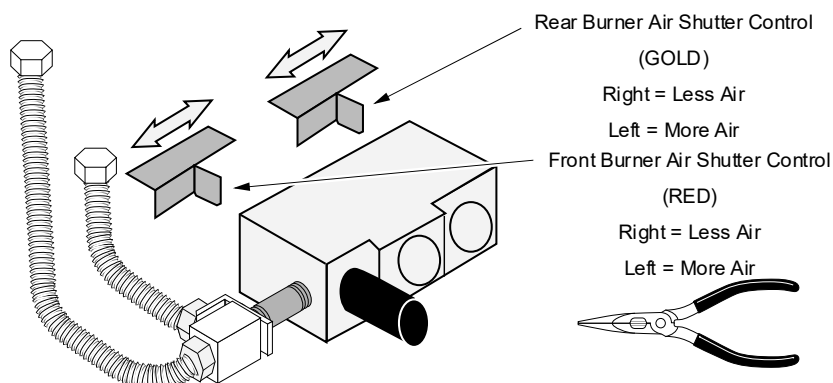
If the flames are too tall or sooty on the ends, open the air shutter.



Too Much Air

If the flames are all blue and short, close the air shutter.

Air Shutter Adjustment



NOTE: you may wish to use pliers to adjust the front air shutter. Typically, the front air shutter is fully closed on NG, fully open on LP

11. Adjust the flame to its highest position - the flames should not contact the top of the firebox. Check the flame on low position. The flames should burn off of each burner hole. If the heater does not work correctly, contact your Travis dealer for a remedy.
12. Give this manual to the homeowner for future reference and fully explain the operation of this heater. For comprehensive operating and maintenance instructions, refer to the Owner's Manual.

ACID WASH WARNING: Before installing the faceplate, make sure any masonry that has been treated with acid wash has been properly neutralized (this is used primarily with brick faces). Acid wash (muriatic acid) is used to remove excess mortar. If not properly neutralized with an ammonia solution, the plated face may develop a permanent tarnish when the acid evaporates over time. Contact your dealer if uncertain your facing has been properly neutralized.

44 Finalizing the Installation (for qualified installers only)

Barrier Removal



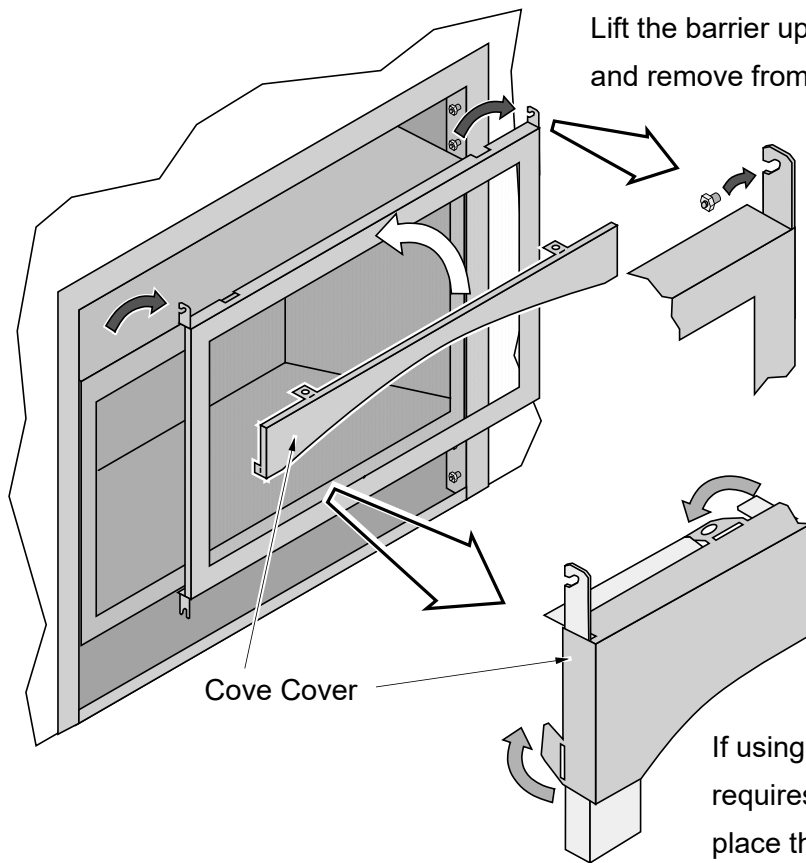
A barrier designed to reduce the risk of burns from the hot viewing glass is provided with this appliance and shall be installed for the protection of children and other at-risk individuals.



If the barrier becomes damaged, the barrier shall be replaced with the manufacturer's barrier for this appliance.



If using a face or grill that requires use of a cove cover, use the cove cover included with the fireplace (see below). Do not use the cover included with face or grill (if applicable).

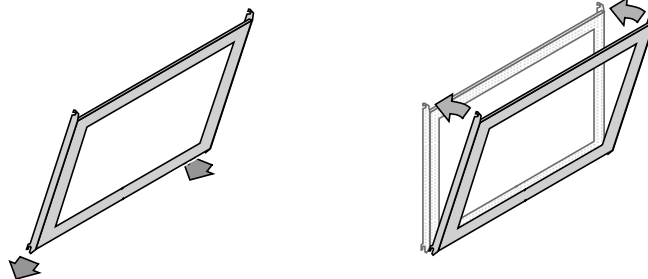


Lift the barrier up, pivot the top forward, and remove from the fireplace.

If using a face or grill that requires use of a cove cover, place the cove cover in place and bend the tabs down to secure.



HINT FOR REPLACING THE BARRIER: Hold the barrier at an angle and insert the bottom slots first. Then pivot the barrier forward to engage the top hooks.



Glass Frame Removal and Installation

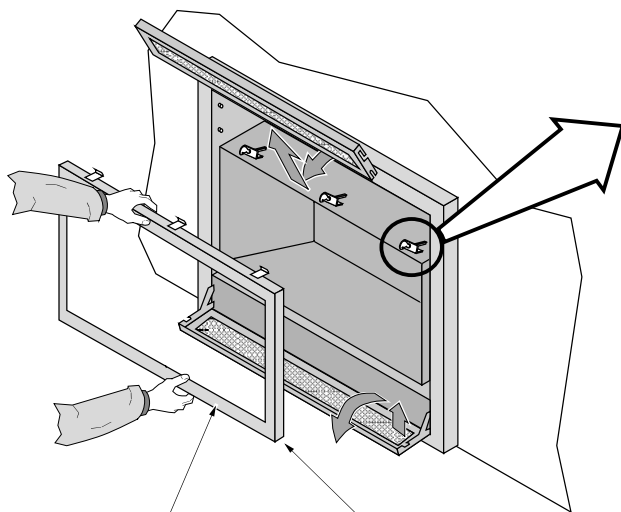
Warning: The appliance must be completely cool before removing the glass.

Warning: Do not strike or slam the glass.

Note: Remove the barrier before removing the glass (see previous page). Replace barrier after replacing the glass.

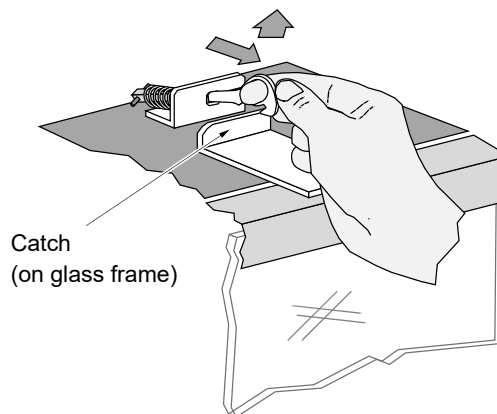
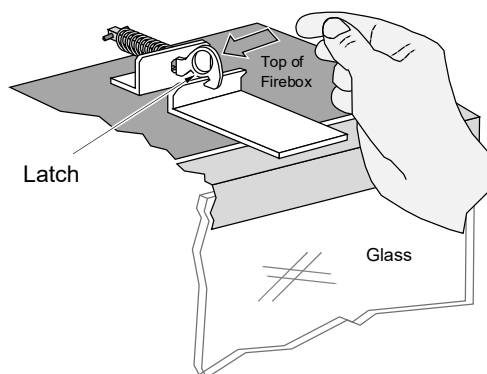
- a** Based upon the face being used, either:
 (a) swing the access door down and remove the top grill,
 (b) remove the face (unscrew or lift off - see the instructions included with the face for details).

Open the six latches holding the glass frame in place (start with the bottom three) - follow the directions shown to the right.



- b** Lift the glass frame up and pull it forward to remove.

NOTE:
 You may need to lift the glass frame while re-attaching.



Re-Attaching the Glass Frame:

- a) Hang the glass frame on the firebox.
- b) While holding in place, attach the upper latches (follow the instructions above in reverse).
- c) Lift the glass frame slightly and attach the lower latches.

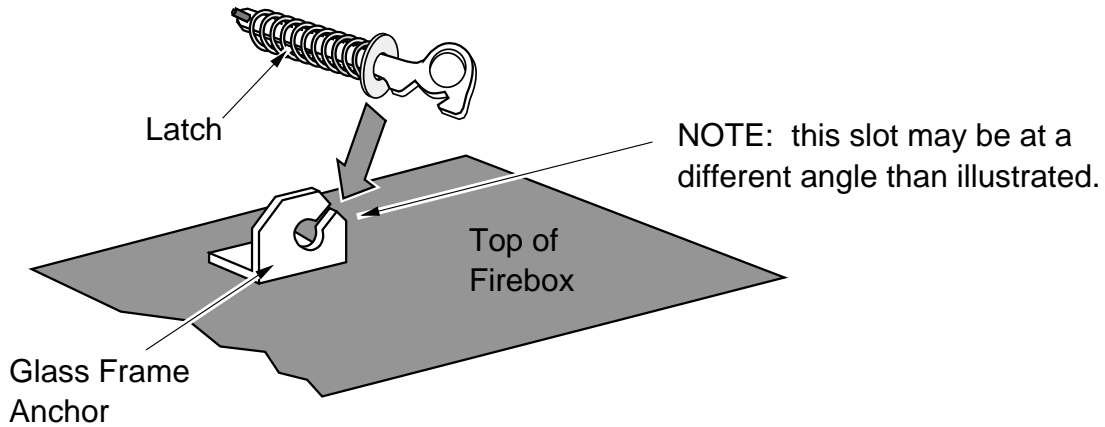
NOTE: Make sure the glass frame is all the way in place.

46 Finalizing the Installation (for qualified installers only)

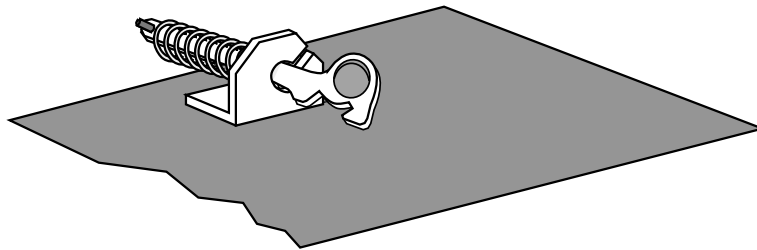
Glass Frame Removal and Installation (continued)

The latch can come loose from glass frame anchor. This occurs when it is turned 1/4 turn when it is disengaged. Follow the directions below to re-install the latch if it becomes loose.

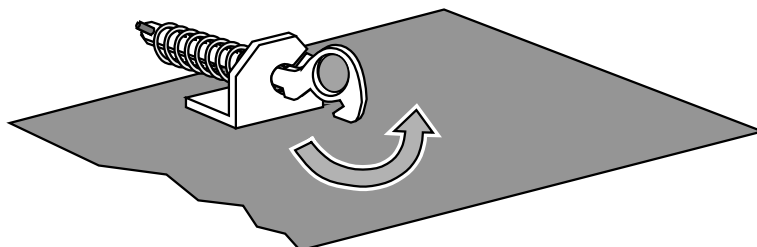
Hold the latch at an angle and insert it into the slot on the glass frame anchor.



Note how the washer on the latch fits behind the flange on the glass frame anchor.

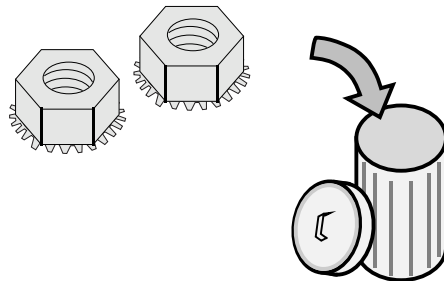
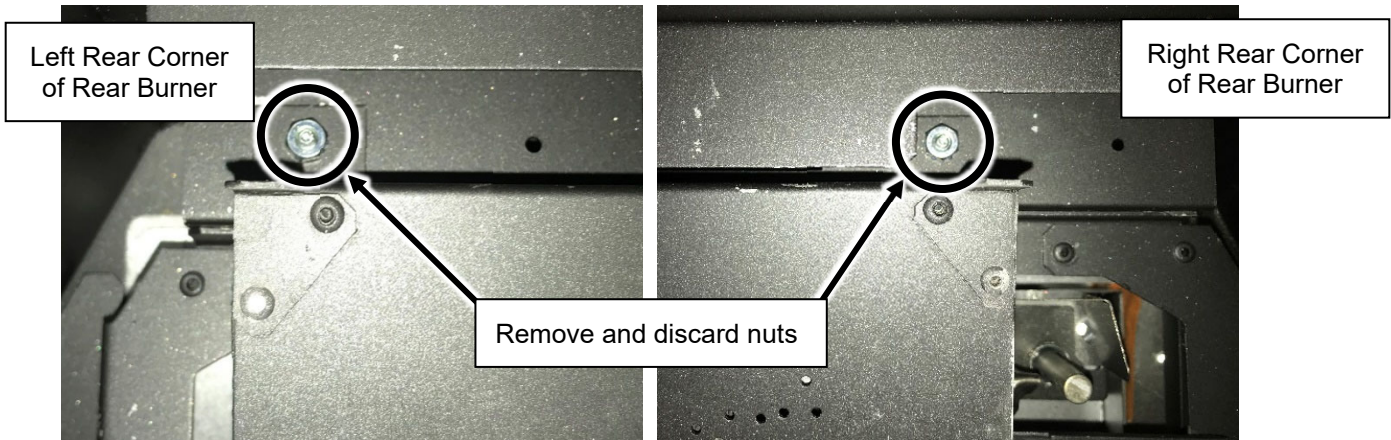


Once fully inserted, turn the latch until it is upright.



Shipping Retaining Nut Removal

(2) 3/8" nuts secure the rear burner to the fireplace for shipping purposes. Remove and discard the nuts (see below).



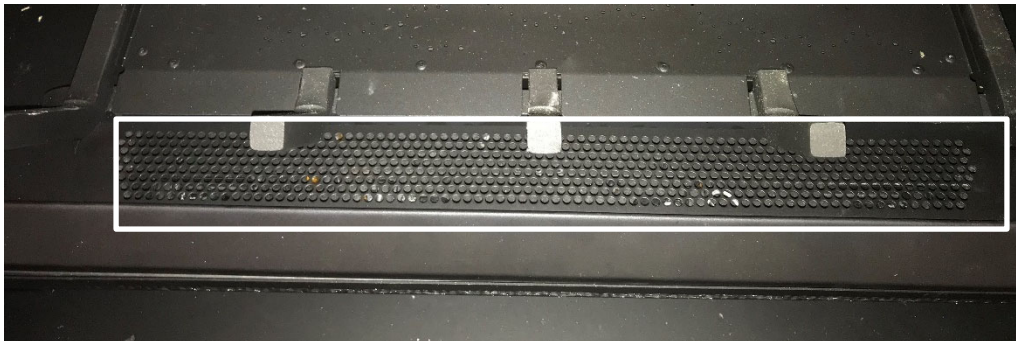
NOTE: Do not reinstall the shipping nuts. The burner brackets sit over the threaded pins and the burner needs to be able to move freely as it expands and contracts with heat.

48 Finalizing the Installation (for qualified installers only)

Ember bed Glass and Ember Material Installation

Ember bed Glass Installation

- Make sure the ember skirt is in place. The skirt hooks over the front of the ember platform and slopes outward toward the glass. The skirt helps keep the glass and ember material from falling off the platform when the glass is removed.
- Locate the perforations in front of the log grate.



- Place a thick layer of the ember glass over the perforations making sure to cover all of the holes completely.



- Lightly dress the ember glass with black touch-up paint (we recommend Stove Bright®). Check the appearance with the lights on and add additional paint, as needed, for a realistic glowing ember appearance.

NOTE: If power is supplied to the fireplace it can be helpful to turn the lights on while painting so you can determine an appropriate amount of paint for a realistic ember appearance.

NOTE: We recommend that you use a piece of paper, or cardboard as a shield to mask the log grate and burner from overspray (see below).



Scan this code with a QR reader on your cell phone to watch a video of the setup.



<http://vimeo.com/289322734>

Ember Material Installation

- Once the ember glass installation is complete, place a generous amount of ember material on the firebox floor on either side of the firebox. Completely cover any visible metal on the firebox floor.

NOTE: Make sure no ember material is placed directly on the burner.

HINT: Add a few randomly placed ember chunks over the ember bed glass to produce a more realistic appearance.



50 Finalizing the Installation (for qualified installers only)

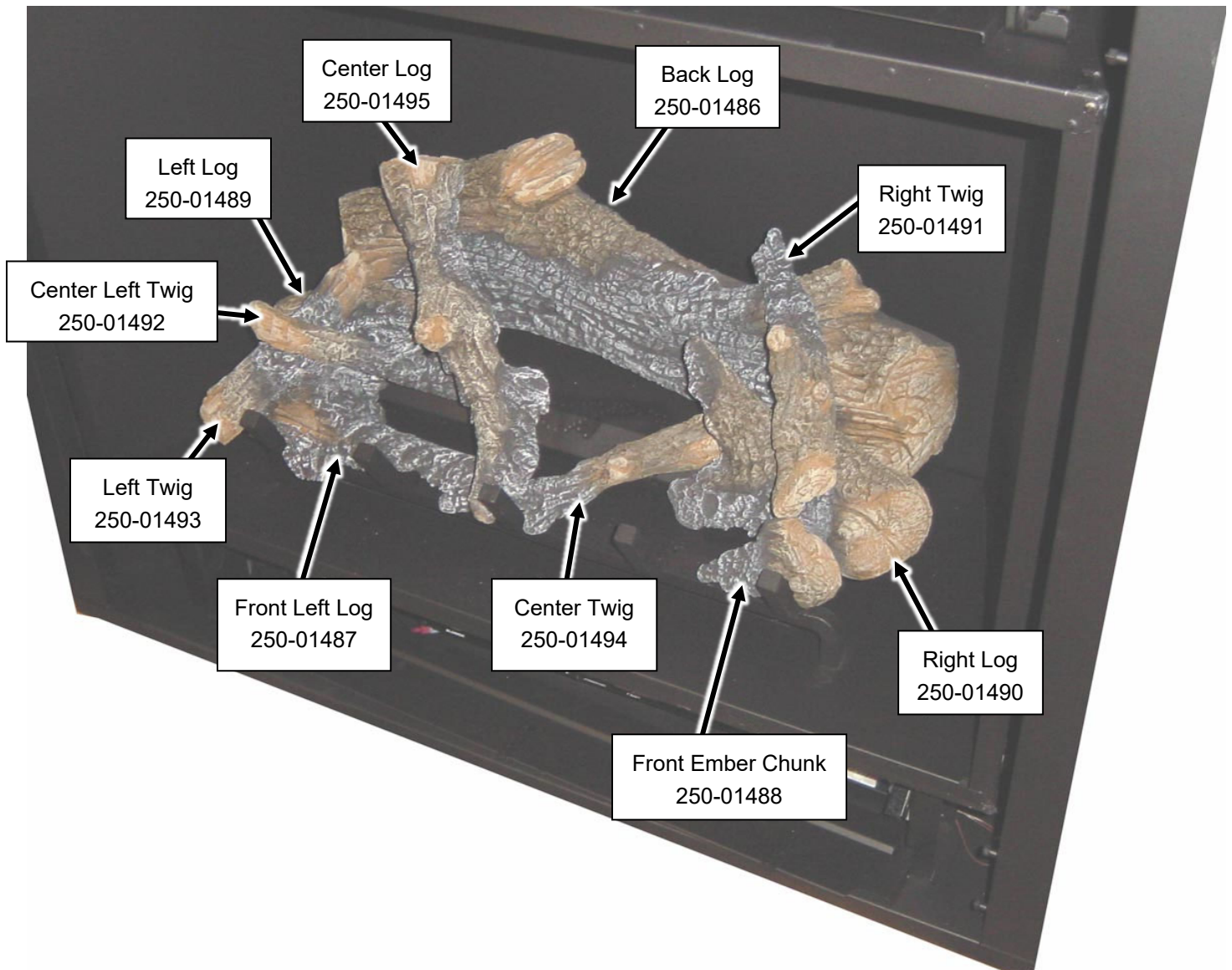
Classic Log Set Installation (94500721)

NOTE: This log set (or alternative) is purchased separately. Refer to the instructions included with the log set for full details.

NOTE: If using optional firebacks make sure to install them before installing the logs.

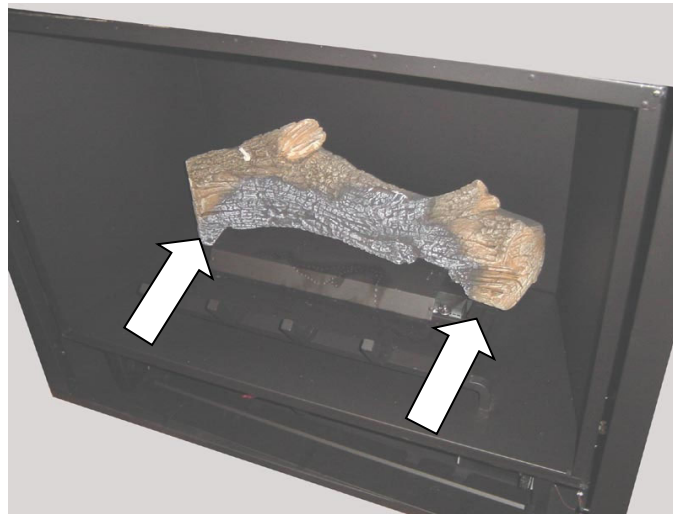
Classic Log Set Overview

When installed, the ten (10) logs should appear as shown below. The directions on the following pages detail installation of this log set.



Back Log

The back log has two pockets that insert over two tabs on the back burner (see photos below). Place the log in place and push it back. The log straddles the burner and does not cover any burner holes.



Right Log

The right log has a channel on the bottom that fits over the grate. Place the log in place and slide it to the rear.



52 Finalizing the Installation (for qualified installers only)

Front Left Log

The front left log has a channel that fits over the grate. When in place the knob on the front of the log fits over the grate as well.



Left Log

The left log has a channel on the bottom. Place this channel over the grate. When in place, make sure the log is positioned so it does not block any burner holes.



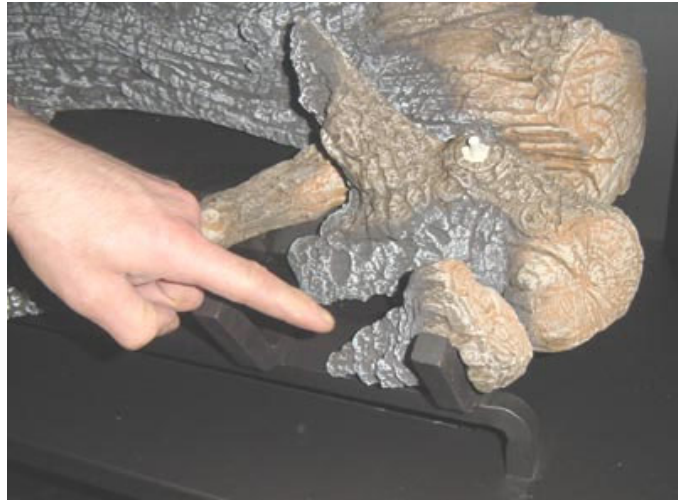
Center Twig

The center twig is shown below. It has a pin on the bottom side. When in place, the fork on the front straddles the grate and the pin rests on the rear burner (make sure it is not over any burner holes).



Front Ember Chunk

The front ember chunk has a groove on the bottom that fits over the grate. Place it as shown below.



54 Finalizing the Installation (for qualified installers only)

Left Twig

The left twig has a hole on the bottom that fits over the pin on the front left log. Place the twig as shown below. The front left log has a groove that will point the twig upwards and to the right.



Center Left Twig

The left center twig is flat on the bottom and has a fork at one end. Place the twig as shown below. Note how the twig rests in the groove in the front left log and the fork lies directly on the bend in the rear burner. Make sure the twig is positioned so it does not cover any burner holes.



Center Log

The center log has a hole on the back and a fork on the front. Position the log so this fits over the pin on the back log. Make sure the fork on the front of the log fits over the grate as shown below.



Right Twig

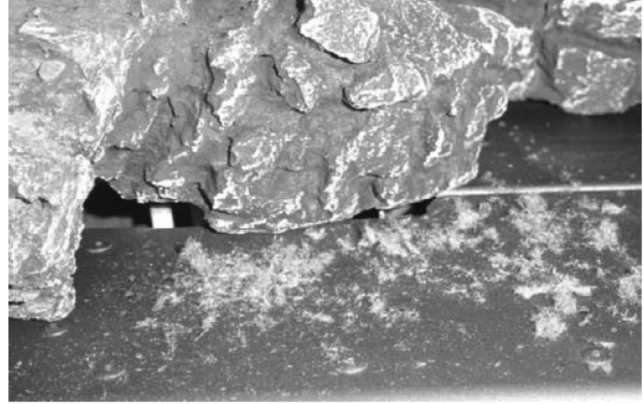
The right twig has a hole on the bottom that fits over the pin on the right log. Position the twig so it rests on the back log as shown below.



56 Finalizing the Installation (for qualified installers only)

Rock Wool Placement

The included rock wool is placed on top of the burner to enhance the glow from the burner. **The rock wool works best when it is applied in a very thin layer.** The best method for applying the rock wool is to brush it on to the burner. Compress a clump of rockwool between your thumb and forefinger. Use a stiff brush to apply a thin layer of rockwool fibers onto the burner. Do not use the entire bag of rockwool. Use only a small amount and save the remainder. Over-use of rockwool will diminish the glow and may cause sooting or other adverse conditions.



LP Conversion Instructions



WARNING

This conversion kit shall be installed by a qualified service agency in accordance with the manufacturer's instructions and all applicable codes and requirements of the authority having jurisdiction. If the information in these instructions is not followed exactly, a fire, explosion or production of carbon monoxide may result causing property damage, personal injury or loss of life. The qualified service agency is responsible for the proper installation of this kit. The installation is not proper and complete until the operation of the converted appliance is checked as specified in the manufacturer's instructions supplied with the kit.

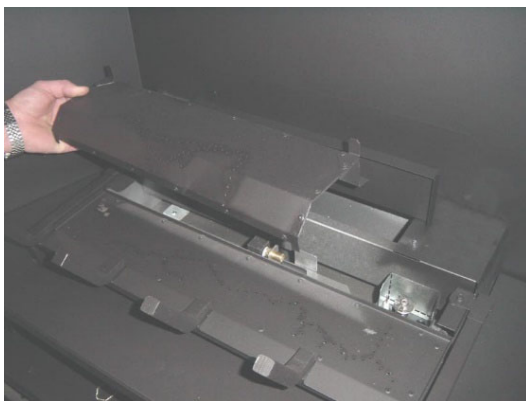
Caution: The gas supply shall be shut off prior to disconnecting the electrical power, before proceeding with the conversion.

Note: Convert the appliance prior to installing the gas line to ensure proper gas use.

The GSR Stepper Motor Kit (4-pack = 94400999), (single = 250-01463) is required for converting this appliance to LP. The kit contains the stepper motor (regulator) and torx wrench.

- 1 Remove the barrier and glass. Remove the logs and embers (if installed - page 47)
- 2 Remove the burners following the directions below.

Lift the rear burner, slide it to the right, and lift it from the firebox. The burner has a bracket that inserts over two pins behind the burner. When replacing the burner make sure it is properly located.

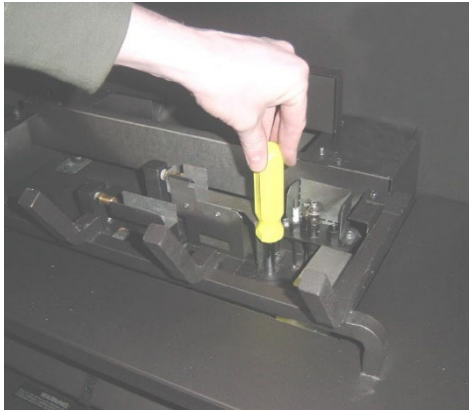


Lift the front burner, slide it to the right, and lift it from the firebox. When replacing the burner make sure it is properly located.



58 Finalizing the Installation (for qualified installers only)

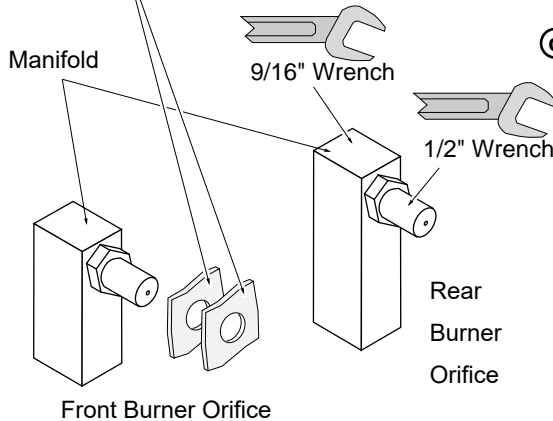
Remove the manifold covers and place them aside for reinstallation.



3 Follow the directions below to replace the orifice.

(a) Slide the air shutters to provide access to the orifices.

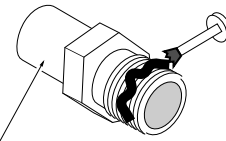
(b) Remove and discard the two gaskets on the front burner orifice.



(c) Use a 9/16" wrench to secure the manifold while removing each orifice with a 1/2" wrench.

(d)

Apply thread sealant to the LP orifices prior to installation. Use the chart below to identify the correct orifices.

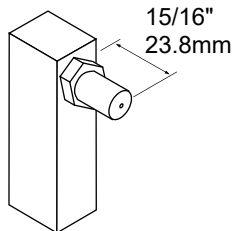


Look here for the orifice identification

	NG	LP
Front	#43	#55
Rear	#43	#C55

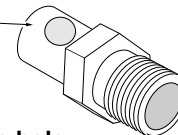
(e)

Screw each LP orifice until orifice protrudes approximately 15/16" (23.8mm) indicating full insertion. Use wrench to secure manifold when re-attaching orifice.



NOTE:

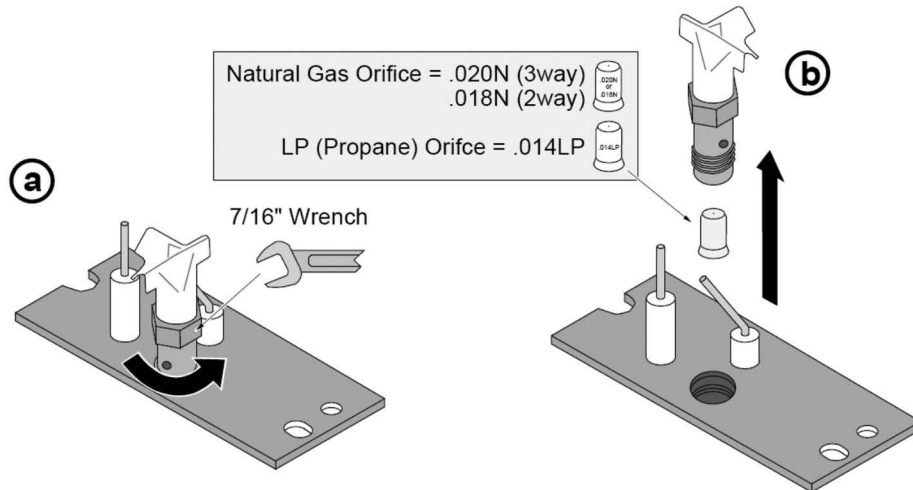
The "#C55" orifice has a hole here.



When installed, the hole must be horizontal.

4. Reinstall the stock manifold covers.

- 5 Install the LP pilot orifice following the instructions below.
 - (a) Use a 7/16" open-end wrench to remove the pilot hood.
 - (b) Remove and discard the Natural Gas (NG) orifice. Place the LP orifice in the pilot assembly then replace the pilot hood, tightening the pilot hood until it is snug (do not over-tighten).



- 6 **Replace the firebox components.** Install the logs and embers. Replace the glass.
- 7 Remove the control panel to access the gas control valve. The stepper motor (adjustable regulator) has an installation sheet included with it – make sure to follow all of the directions. Place the stepper motor on the gas control valve (see Figure 1) – **MAKE SURE IT IS CORRECTLY ORIENTED.** Secure using the screws included with the motor (see Figure 2) – tighten to 25 Lb-inches. Leak test this area after installation to verify proper installation.

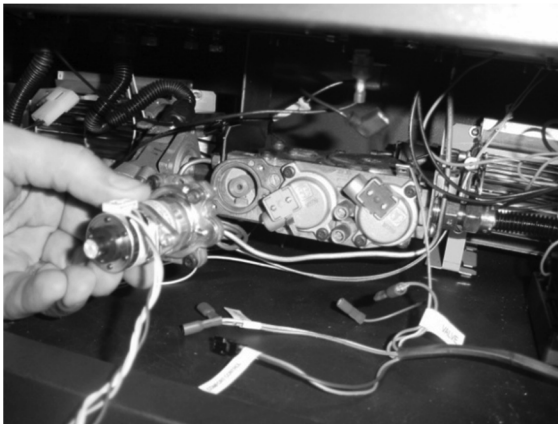


Figure 1

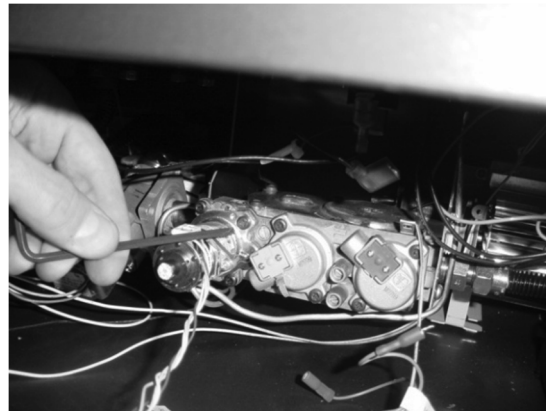


Figure 2

- 8 Make the gas line connection, bleed the gas line (if applicable), start the heater and thoroughly leak-test all gas connections and the gas control valve.

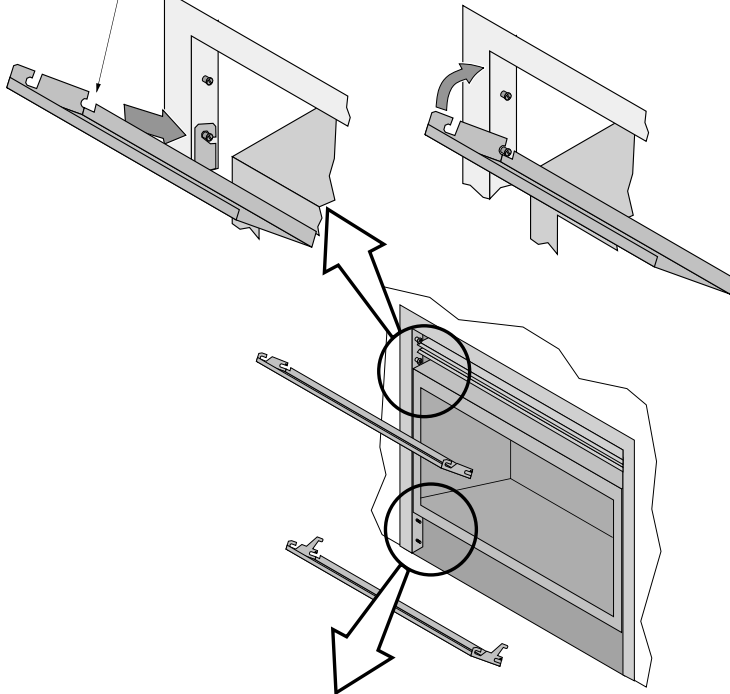
Grill Installation

Certain faces allow for installation of an upper and lower grill. Follow the directions below to install.

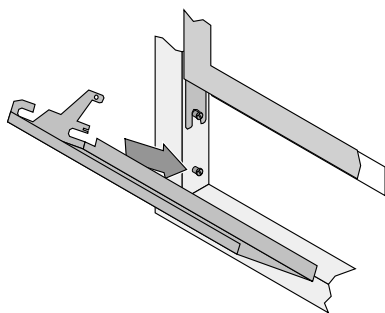
Upper Grill Installation (FPX and Avalon)

Hold the grill at an angle and insert the lower slot over the lower bushing on the fireplace (both sides). The grill fits inside the tabs for the barrier screen.

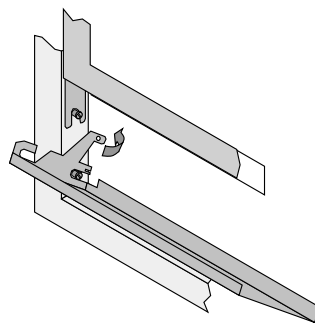
Swing the grill upwards to engage the upper slot. You will need to lift the grill slightly to get it over the bushing. Once in place the grill is held in place by gravity.



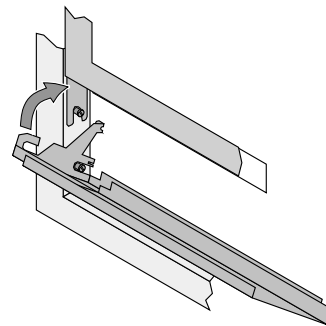
Lower Grill Installation



Hold the grill at an angle and insert the lower slot over the bushing on the fireplace (both sides). You may need to press on the grill to get the tab over the bushing (this prevents the grill from accidentally falling off).



Bend the tab outward on both sides. This is the end-stop for the lower grill, it allows the grill to swing forward.



Swing the grill upwards to engage the upper slot. The grill fits inside the tabs for the barrier screen. You will need to lift the grill slightly to get it over the bushing. Once in place the grill is held in place by gravity.

Upper Grill Installation (Lopi)

NOTE: The upper grill is difficult to install the first time - be patient, after you install it, you will know how it installs and it will be much easier the second time.

SIDE VIEW

Heat Shields (on fireplace) Mounting Stud Upper Grill

Position the grill so the slots on the grill align with the mounting studs.

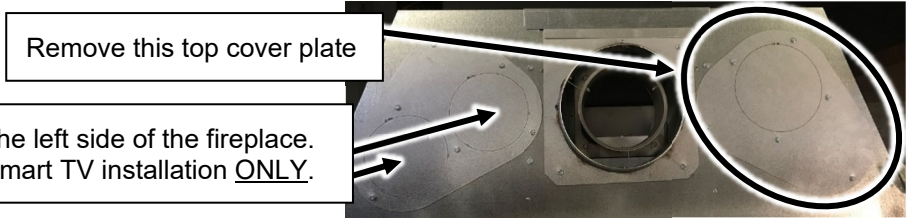
You may need to push in and upwards on the grill as it inserts.

The grill, when fully inserted, will slide down and "click" into place.

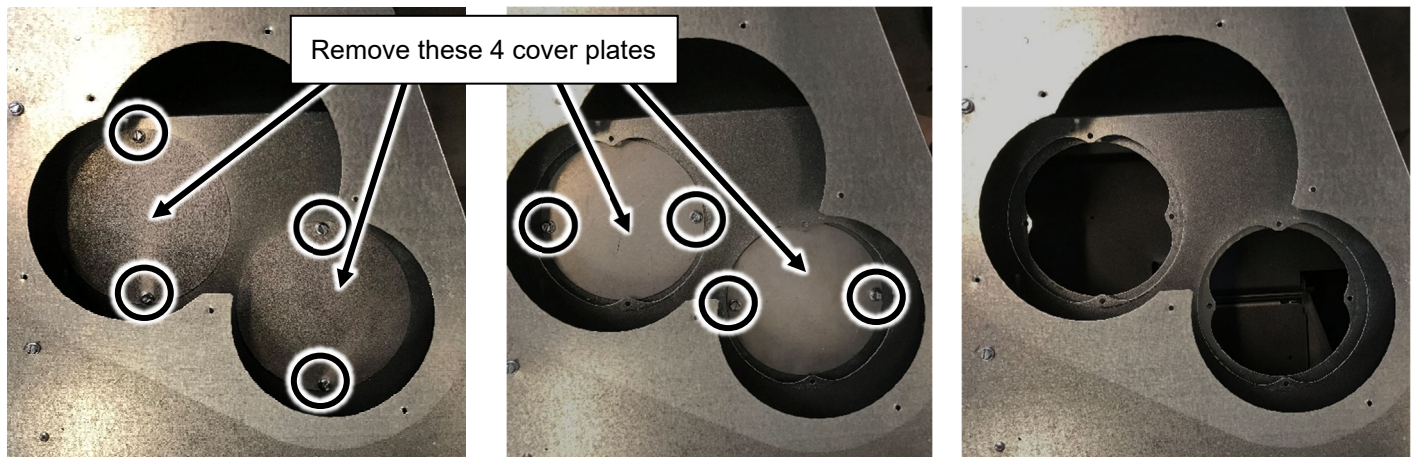
Power Heat Duct (Optional) - Installation

Cover plates on top of the fireplace allow a Power Heat Duct kit to be installed on this fireplace. See the instructions below for details.

Power Heat Duct

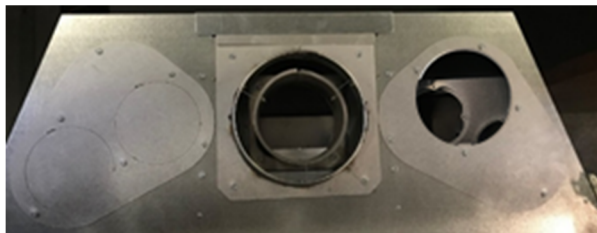
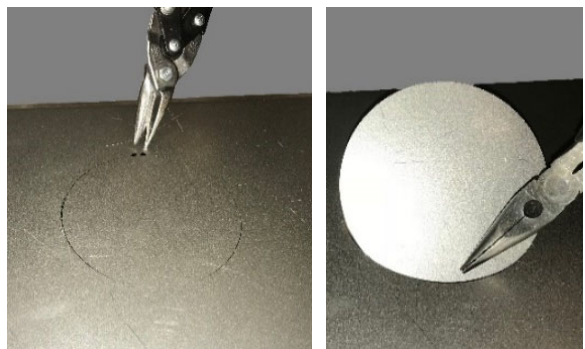


Remove the 2 pairs of cover plates below the top cover plate (2 screws hold each plate in place). **DISCARD THE 4 COVER PLATES.** Once all of the cover plates are removed the fireplace should look like the illustration below to the right.



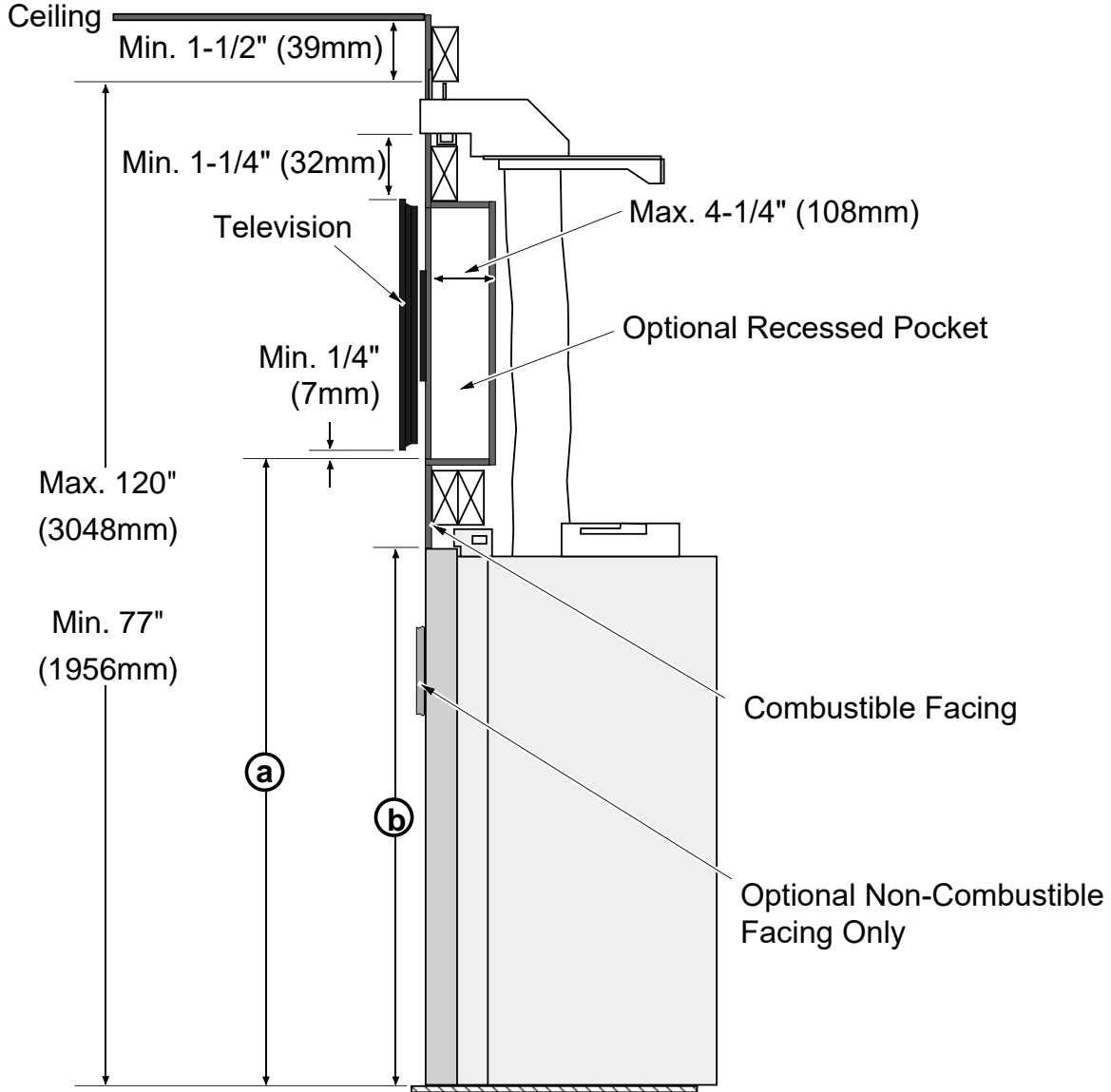
- Re-install the top cover plate (with 6" knockout) and secure it with the screws removed earlier.

- Use snips to cut the tab on the knockout located on the top cover plate. Press on the far side of the tab to pop the edge of the knockout up. Grab on to the knockout with pliers and bend it back and forth until the remaining tabs break free. Discard the knockout. The flexible duct will attach to this location (see picture below and instructions included with the power heat duct).



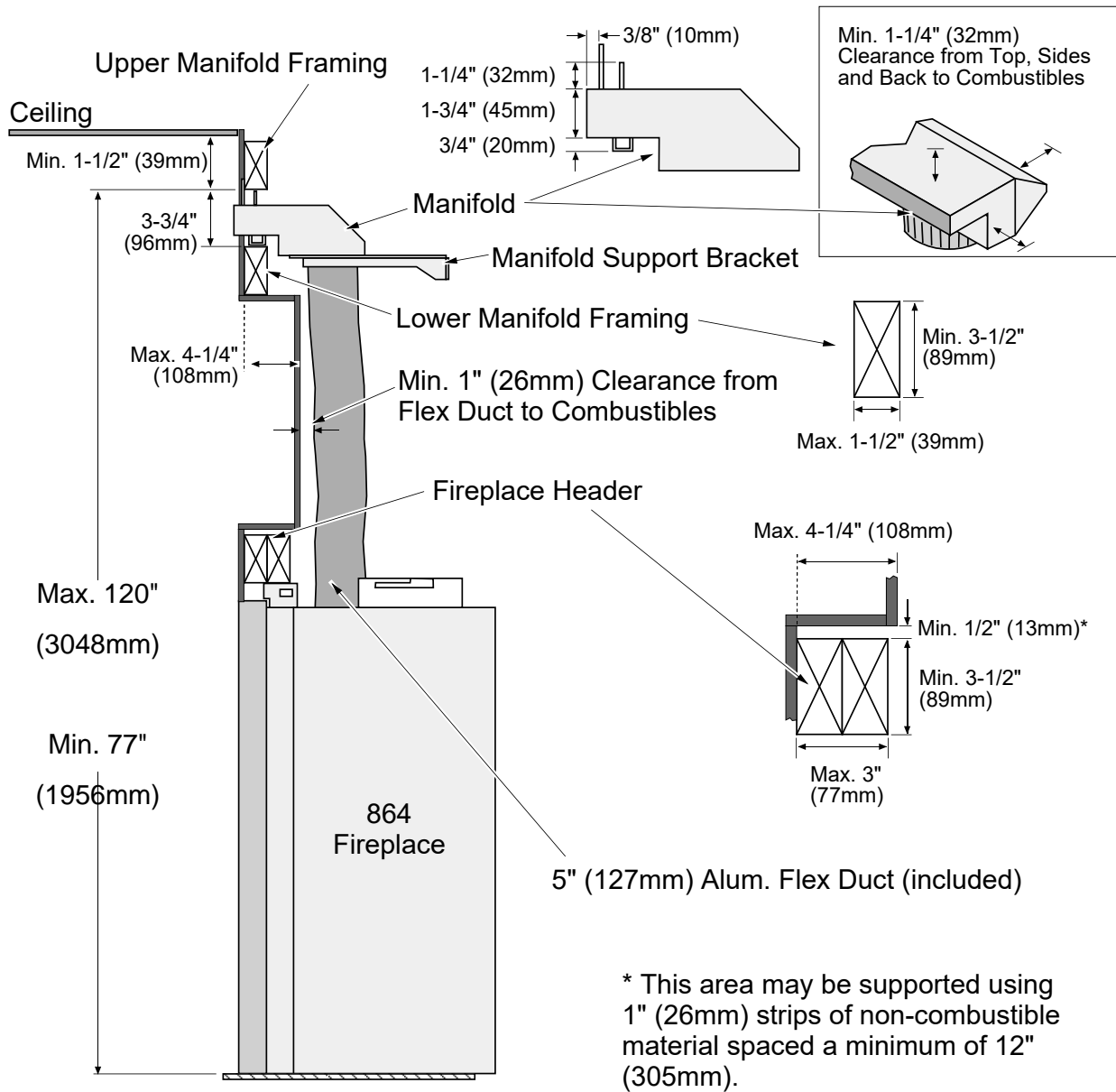
CoolSmart TV – Installation Overview (Optional)

The CoolSmart system is designed to redirect the convective heat of the fireplaces from the front of the unit, just above the glass, to a location higher on the wall. The use of this kit allows for reduced clearances to televisions and a recessed cavity above the fireplace. When using this kit, disregard the standard framing dimensions and follow the framing instructions for the CoolSmart kit.



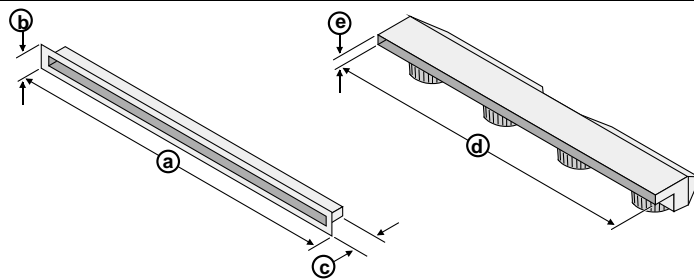
	864 (31K,40K)	864 CleanFace (31K,40K)
a	42-3/4" (1086mm)	49-1/4" (1251mm)
b	36-3/4" (934mm)	39-1/4" (997mm)

CoolSmart TV - Installation Requirements



Grill and Manifold Dimensions

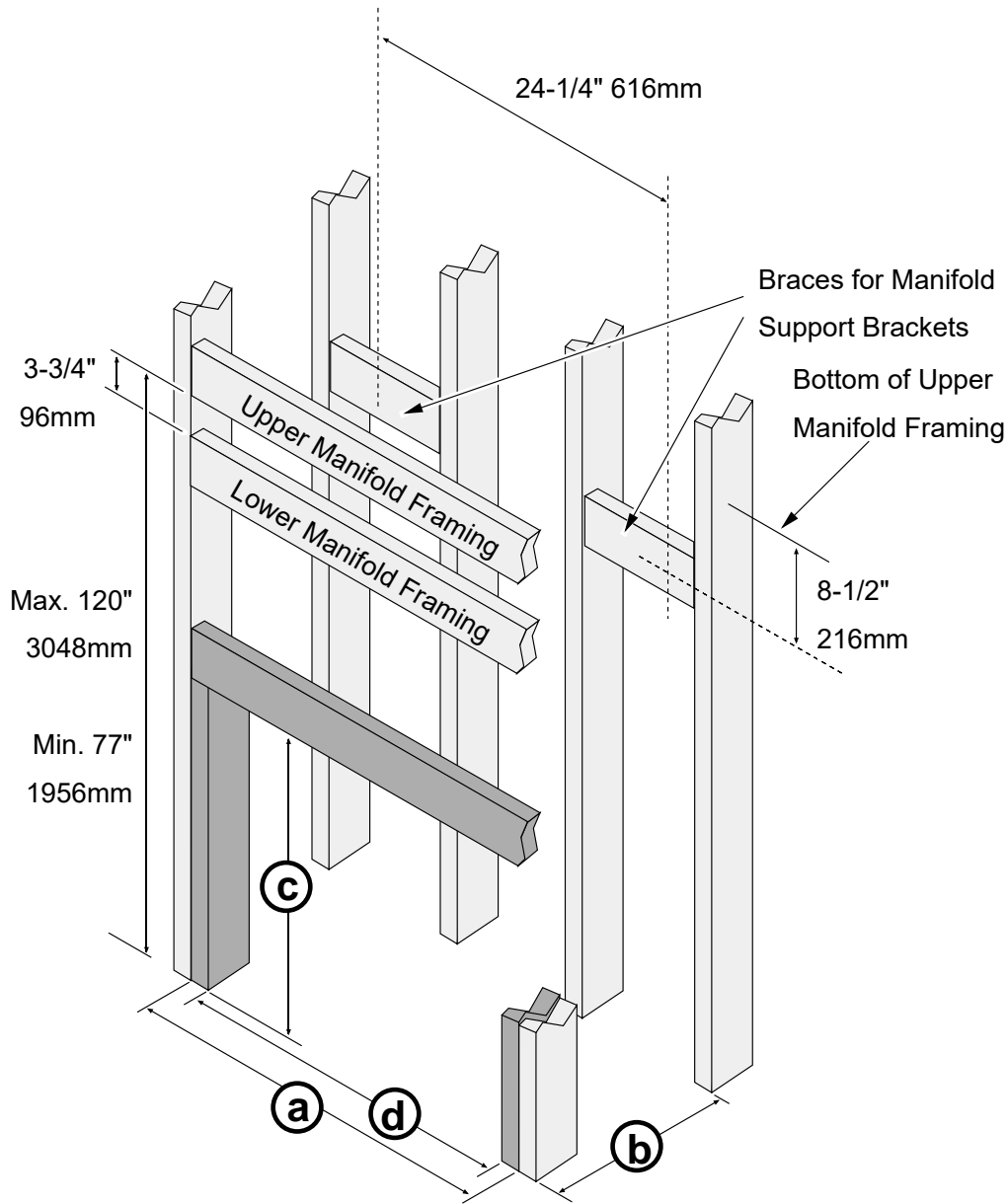
The grill may be installed over the facing to provide an aesthetic opening for the convection outlet. (2) 8-32 x 1-1/2" screws attach the trim to the upper manifold. This allows variable thickness of finish material.



Dimensions

a	b	c	d	e
42" (1067mm)	2-7/8" (74mm)	1-1/4" (32mm)	41" (1042mm)	1-3/4" (45mm)

CoolSmart TV - Framing the Chase

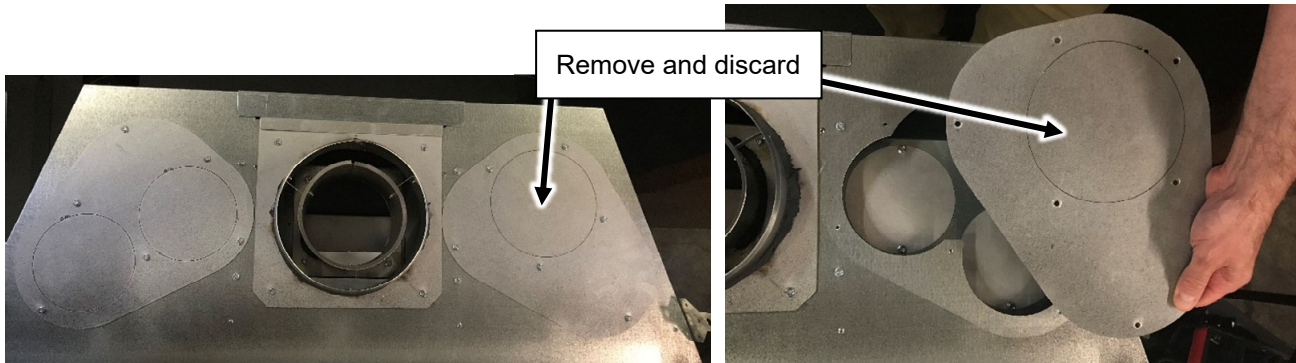


	864 (31K,40K)	864 CleanFace (31K,40K)
a	43-1/2" (1105mm)	43-1/2" (1105mm)
b	20-3/4" (528mm)	22-1/2" (572mm)
c	38-1/2" (978mm)*	45" (1143mm)*
d	41-1/4" (1048mm)*	43" (1093mm)*

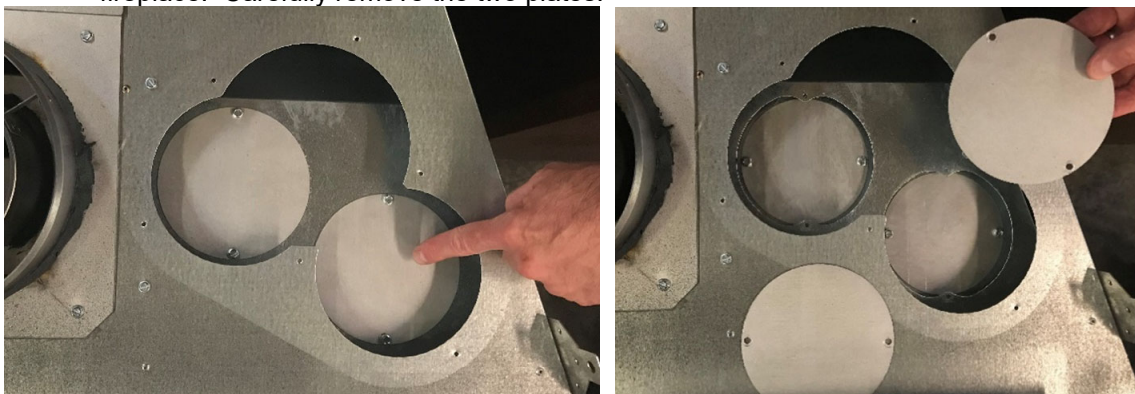
* The dark-shaded framing is installed after the manifold is installed. It is used to secure the nailing brackets on the fireplace to the framing. It also provides support for the facing above the fireplace. This framing is not required in some cases (you may use other methods to secure the nailing brackets and facing).

CoolSmart TV - Fireplace Preparation

1. Remove the right cover plate (with the single knockout) from the top of the fireplace and discard it.



2. Remove the (4) screws that secure the two circular cover plates on the next layer of the fireplace. Carefully remove the two plates.

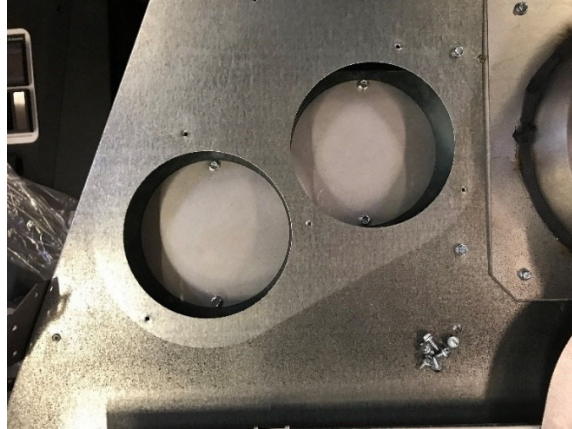


3. Repeat the previous step on the plates on the next layer. You may discard all (4) circular cover plates.

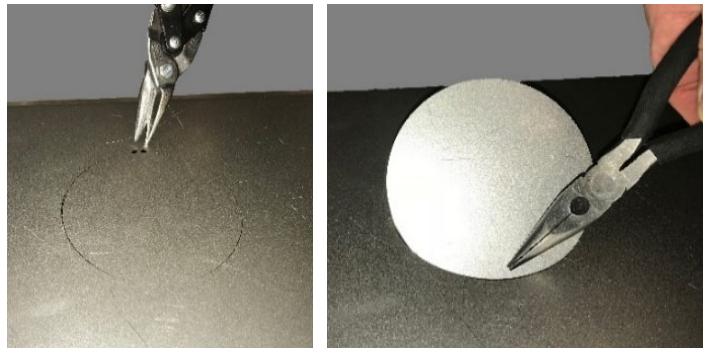


4. Remove the left, top layer, and cover plate. Turn it over and then reinstall it in place of the right cover plate removed in step 1. Replace all screws so there are no holes left in the top of the fireplace.

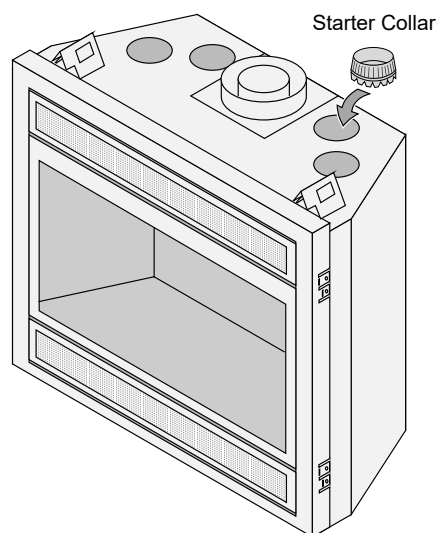
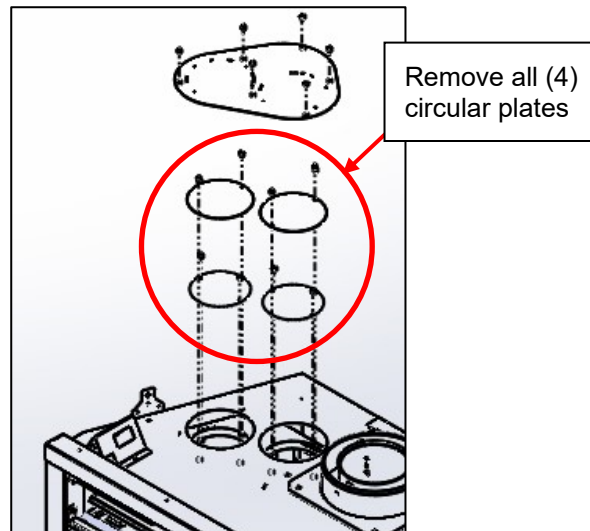
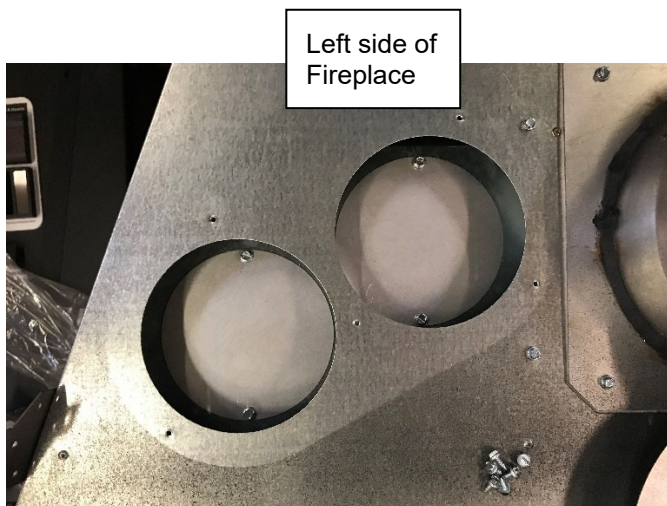
NOTE: Removal of the left cover plate will expose two 5" holes in the top surface of the fireplace.



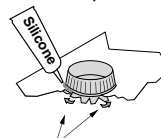
5. Use snips or diagonal cutters to snip the tab on the 2 knockouts located on the cover plate (relocated to the right side in the previous step). Press on the far side away from the tap to pop the edge of the knockout up. Grab on to the knockout with pliers and bend it back and forth until the remaining tabs break free. Repeat this step with the second knockout on the cover plate. Discard the knockouts.



- Remove the (4) circular cover plates from the left side of the fireplace in the same manner described above. Discard the plates.



Use silicone to seal the starter collar to the top of the fireplace.



Bend the tabs on the bottom of the starter collar up to lock it in place.

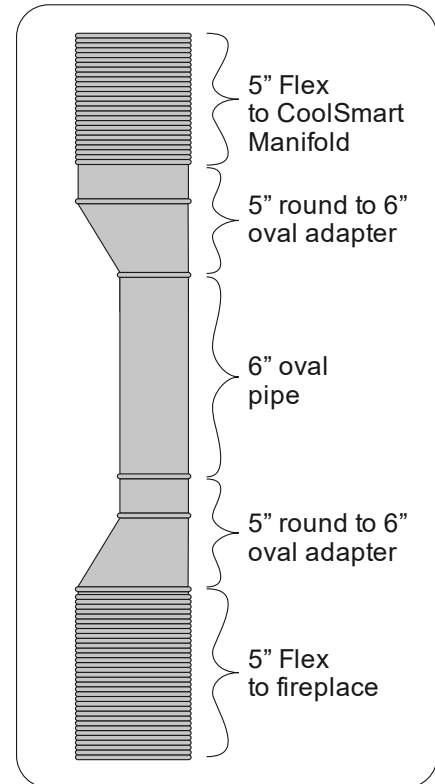
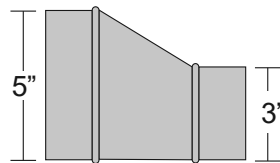
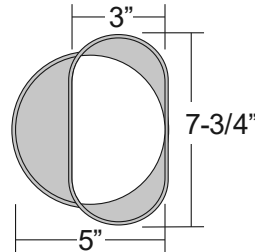
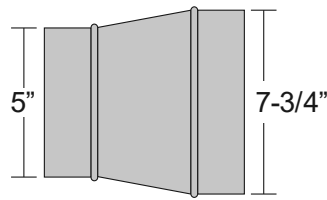
- Insert a starter collar into each of the holes that were uncovered in the previous step and bend the tabs to secure the starter collar to the fireplace. Seal the joints with silicone caulk or aluminum (U.L. 181A-P) tape
- Install the fireplace into the framed chase. See section "Installation" in the manual.

Using oval pipe to get past an obstruction

If a situation arises that obstructs the CoolSmart flex vent runs (such as getting past a minimum sideways vent) you may transition the 5" flex vent to a ridged nominal 6" oval pipe to get past the obstruction. Transition back to the 5" round flex and continue to the manifold.

The adapters and ridged pipe should be factory ovalized, not field ovalized.

NOTE: All clearances to combustibles must be maintained.

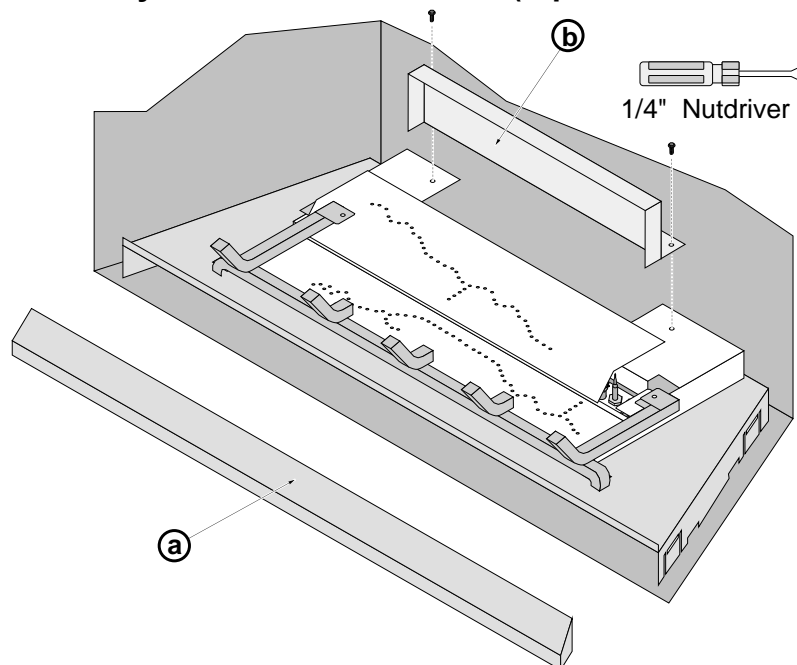
**CoolSmart TV – Mantel Clearances**

Abide by the mantel clearances in "Mantel Requirements" section of this manual (see page 41).

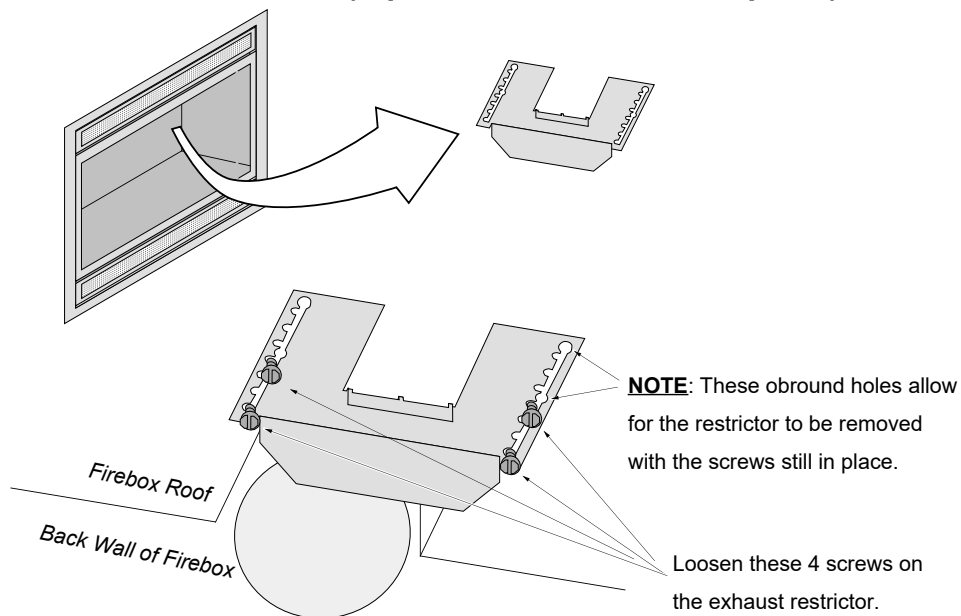
Special Instructions for Fireback Installation -

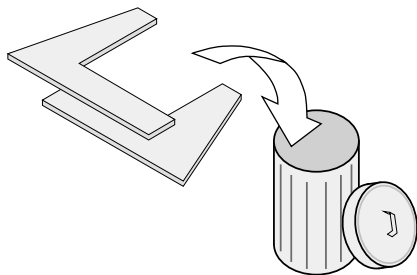
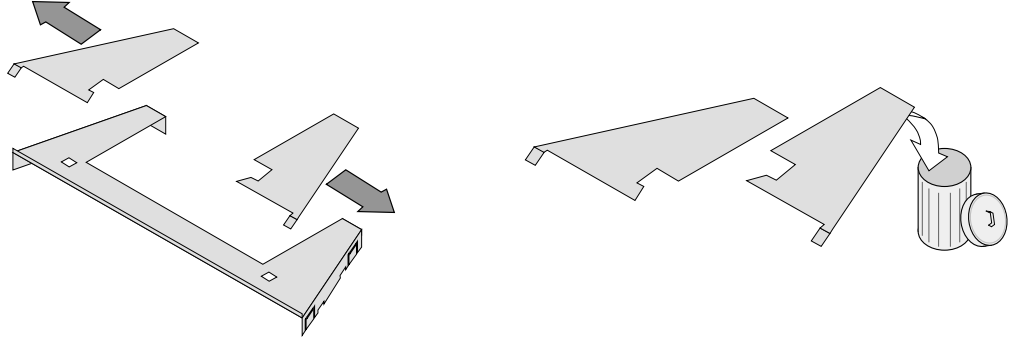
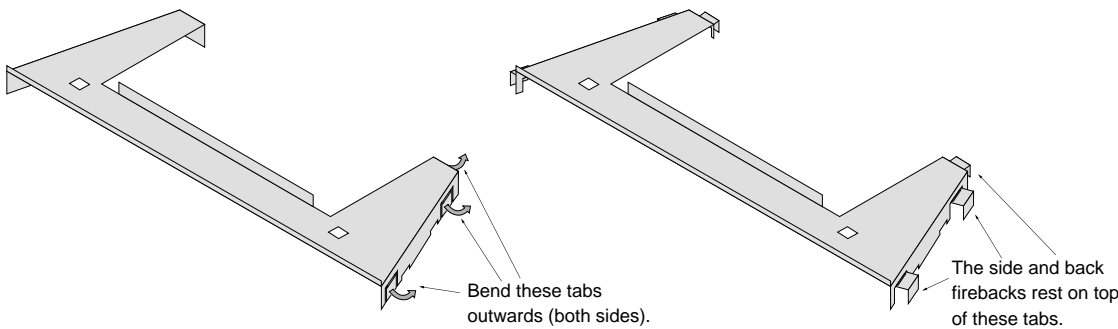
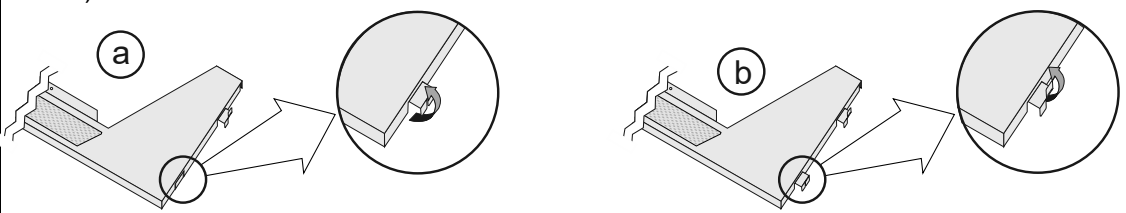
This fireplace may use existing 864 firebacks. However, the instructions included with the firebacks may not include the following caveats:

Remove the Media Tray Skirt and Air Deflector (replace once firebacks in place)

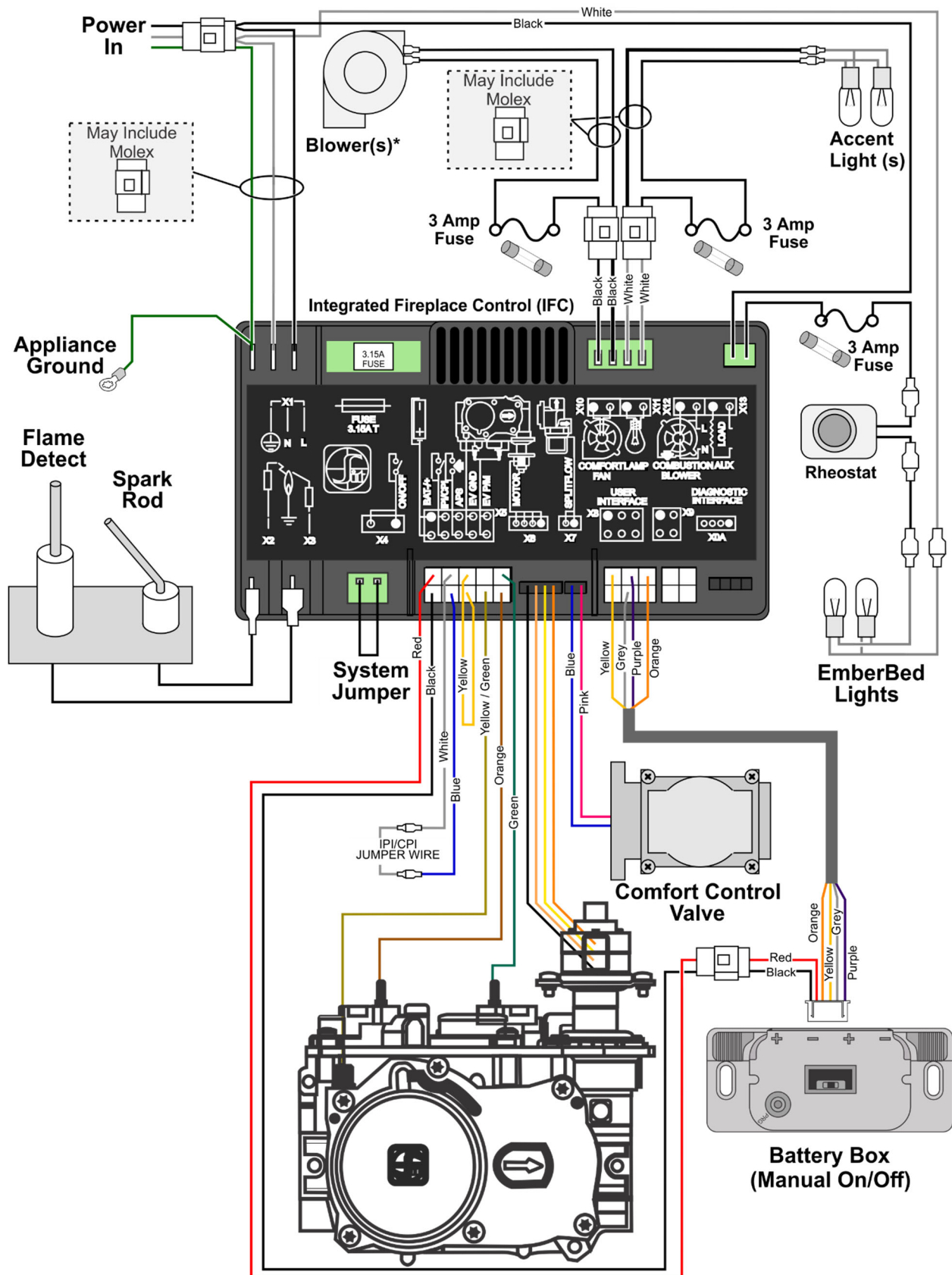


Remove the Exhaust Restrictor (replace once firebacks in place)



<p>ALL FIREBACKS Discard the Floor Firebacks (if applicable). They are not used with this fireplace.</p>	
<p>GLASS FIREBACKS Slide the Media Tray Covers Outwards. For all other firebacks, discard the media tray covers.</p>	
<p>Ledgestone Firebacks Bend the tabs on the media tray out.</p>	<p>Ceramic Firebacks (except for Ledgestone): The media tray is unchanged. Ledgestone Firebacks: The (6) tabs (4 side, 2 rear) on the media tray must be bent out – see below. You will need to remove the media tray (2 screws hold it in place) to bend the tabs out.</p> 
<p>Glass Firebacks Bend the tabs on the media tray out. Bend the secondary tab straight up.</p>	<p>Glass Firebacks: The (4) side tabs on the media tray must be bent out (do not bend out the rear tabs) – see below. You will need to remove the media tray (2 screws hold it in place) to bend the tabs out. Once the tabs are bent out 90°, you will see the outer edge of the tab is cut in half. Bend the rear portion of each tab UP 180° so that it is facing directly upward (see below).</p> 

Wiring Diagram



Index

Additional Items Required	7	Installation Overview.....	7
Approved Vent Configurations	24	Log Installation.....	50
Barrier Removal	44	LP Conversion Instructions.....	57
Class A Chimney Conversion	30	Mantel Requirements.....	41
Dimensions	6	Masonry Chimney Conversions.....	29
Electrical Connection	20	Minimum Vent	11
Ember bed Glass and Ember Material		Power Heat Duct (Optional) - Installation	61
Installation	48	Recommended Installation Procedure	7
Facing Requirements.....	34	Rock Wool Placement	56
Fireback Installation	69	Safety Warnings.....	4
Fireplace Placement Requirements.....	9	Shipping Retaining Nut Removal.....	47
Gas Line Requirements	18	Steps for Finalizing the Installation	42
Glass Frame Removal and Installation	45	Termination Requirements	31
Grill Installation.....	60	Top Vent Configuration with Vertical Termination	
Hearth Requirements.....	32	28
Heating Specifications.....	6	Vent Configuration - Horizontal Termination ...	27
Horizontal Termination Exhaust Shield	22	Vent Requirements	21
Installation Options.....	6	Vinyl Flooring Hearth Recommendations ...	33