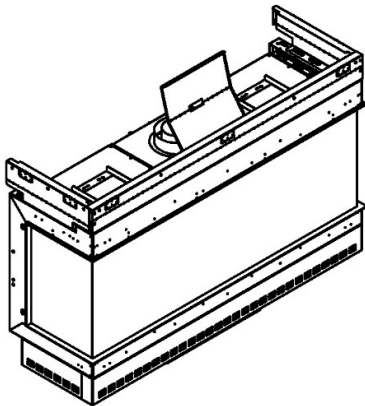
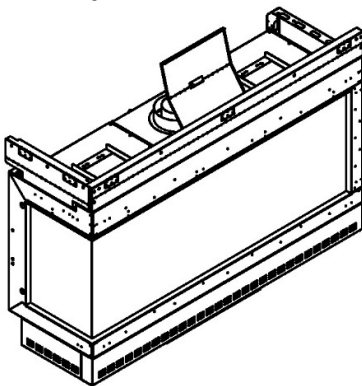
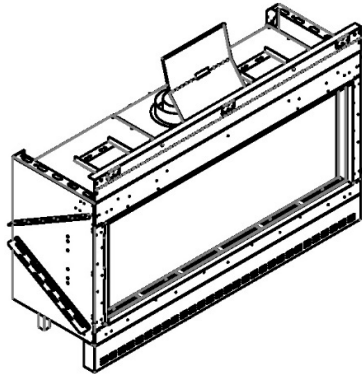


ORTAL®

Installation and Operation Manual Wilderness 60 Series

Manufacturer Update
Serial Number 29544 and Forward



Wilderness 60 Series Fireplaces:

- Wilderness 60 Front Facing
- Wilderness 60H Front Facing
- Wilderness 60 Corner (RS/LS)
- Wilderness 60H Corner (RS/LS)
- Wilderness 60 Three Sided
- Wilderness 60H Three Sided

⚠ WARNING:
FIRE OR EXPLOSION HAZARD
Failure to follow safety warnings exactly could result in serious injury, death, or property damage.

- **DO NOT** store or use gasoline or other flammable vapors and liquids in the vicinity of this or any other appliance.
- **What to do if you smell gas:**
 - **DO NOT** try to light any appliance.
 - **DO NOT** touch any electrical switch. **DO NOT** use any phone in your building.
 - Leave the building immediately.
 - Immediately call your gas supplier from a neighbor's phone. Follow the gas supplier's instructions.
 - If you cannot reach your gas supplier, call the fire department.
- Installation and service must be performed by a qualified installer, service agency, or the gas supplier.

! DANGER



**HOT GLASS WILL
CAUSE BURNS.**

**DO NOT TOUCH GLASS
UNTIL COOLED.**

**NEVER ALLOW CHILDREN
TO TOUCH GLASS.**

A barrier designed to reduce the risk of burns from the hot viewing glass is provided with this appliance and must be installed for the protection of children and other at-risk individuals.



Safety Information and Warnings



IMPORTANT NOTE: LOCAL CODE

Local codes and regulations that are more stringent than the requirements in this manual take precedence over Ortal requirements.



WARNING: REVIEW ALL WARNINGS

Be sure to review all safety warnings and installation guidelines contained in this manual. Consider installation location, vent configuration, clearances, structural requirements, framing and finish materials, and local codes. ALL warnings and instructions apply to all products manufactured and distributed by Ortal.



WARNING: DO NOT OPERATE FIREPLACE IF:

The glass is NOT properly secured in place; Connection points are not sealed (for fireplaces with glass-to-glass connections); Glass is cracked; You smell gas; Any part of the fireplace has been under water; You have any doubt about safe operation of the fireplace; Or if any part has been under water, do not use the fireplace. Immediately call a qualified, professional service technician to inspect the fireplace and to replace any parts of the control system and any gas controls which have been under water.



WARNING: ELECTRICAL GROUNDING

All electrical connections must be properly installed, insulated, and secured to avoid potential **ELECTRICAL SHOCK** and **FIRE HAZARD** and malfunction of the system. Consult local building code requirements. In the absence of local codes, refer to the National Electric Code, ANSI/NFPA 70, or the Canadian Electric Code, CSA C22.1.



WARNING: MATERIAL USAGE

All materials and objects used to carry out the installation must be certified/approved or specified by Ortal and are suitable for use. Do NOT install the system with different materials or objects than those approved for installation by Ortal.



WARNING: INSTALLATION AND SERVICE

Installation and repairs on the fireplace and vent system must be done by an authorized Ortal qualified installer service agency or gas supplier. If these components are not installed by an authorized Ortal dealer/installer, the warranty of all components will be void and Ortal will not be responsible for any damage caused by improper installation. The fireplace should be inspected before use and at least annually by a professional service person. More frequent cleaning may be required due to excessive lint from carpeting, bedding material, etc. Control compartments, burners and circulating air passageways of the fireplace must be kept clean. Any alteration to the product can cause soot or carbon to form and may result in damage. This damage and any other damage that results from not following the instructions outlined in this manual is not the responsibility of Ortal.



WARNING: HEAT BARRIER

A barrier designed to reduce the risk of burns from hot viewing glass is provided with this fireplace and shall be installed. The fireplace **MUST** not be used without the heat barrier in place. If the barrier becomes damaged, the barrier shall be replaced with the manufacturer's barrier for this fireplace. **Any safety screen, guard, or barrier removed for servicing the fireplace must be replaced before operating.**



WARNING: FIREPLACE TEMPERATURE

Due to hot temperatures, the fireplace should be located out of traffic and away from furniture and draperies.

Children and adults should be alerted to the hazards of high surface temperature and should stay away to avoid burns or clothing ignition. Clothing or other flammable material should not be placed on or near the fireplace. **Young children should be carefully supervised when they are in the same room as the fireplace.** Toddlers, young children, and others may be susceptible to accidental contact burns. A physical barrier is recommended if there are at-risk individuals in the house. To restrict access to a fireplace or stove, install an adjustable safety gate to keep toddlers, young children, and other at-risk individuals out of the room and away from hot surfaces.



WARNING: GLASS HANDLING

Only an Ortal certified installer is authorized to remove the glass using an 8-inch glass-handling suction cup.



WARNING: INSTALLATION AND OPERATION

The fireplace and accompanying components must be installed as an OEM installation in manufactured homes (USA only) or an aftermarket permanently located, or a mobile home, where not prohibited by local codes. The fireplace must be installed in accordance with the Manufacturer's instructions and the Manufactured Home Construction and Safety Standard, Title 24 CFR, Part 3280, in the United States, or the Standard for Installation in Mobile Homes, CAN/CSA Z240 MH Series, in Canada. **Exceeding the restrictions imposed in these instructions may result in a fire or explosion, causing property damage, personal injury, or loss of life. Ortal will not be responsible for any damage caused by improper installation. Do not store or use gasoline or other flammable vapors and liquids near this fireplace.**



WARNING: GAS FIREPLACE

This fireplace is for use only with the type of gas indicated on the rating plate. These fireplaces are not convertible for use with other gases unless a certified kit is used, and the conversion is performed by an authorized and qualified technician. Applicable standards are Vented Gas Fireplace Heaters ANSI Z21.88 / CSA 2.33a and Gas-fired Fireplaces for Use at High Altitudes CAN/CGA 2.17-M91



WARNING: CALIFORNIA PROP 65

These products and the fuels used to operate these products (liquid propane or natural gas), and the products of combustibles of such fuels, can expose you to chemicals including benzene, carbon monoxide, and ceramic fibers, which are known to the state of California to cause cancer and/or reproductive harm. For more information, visit www.p65warnings.ca.gov.

Table of Contents

“→” Denotes new or changed information from most recent version manual.

General	2
Safety Information and Warnings	2
Product Information	5
→ Models	5
Certification	5
→ Rating Label	6
Zero-Clearance Stand-Offs	7
Installation	8
Prior to Installation	8
Locate the Fireplace	8
Fireplace Installation	8
First Trip to Site: Planning	8
Second Trip to Site: Installation	8
Third Trip to Site: Startup	9
Post-Installation	9
Initial Burning Period	9
Final Inspection Procedure	9
Final Checks and User Instruction	9
Building Around the Fireplace	10
Building Checklist	10
Framing	11
Framing Requirements	11
5/8" Type X Drywall Requirements	11
Chase Floor/Platform	11
→ Framing Dimensions	12
General Clearances	15
Heat Release	16
Air Intake Opening	18
→ Mounting a TV/Artwork	20
Access Area Requirements	22
Chase Area Minimum	24
Recessed Ledge Detail	24
Structural Weight Support	25
Step-by-Step Chase Construction	26
Finishing	27
Flush Installation	27
Recessed Installation	28
Venting	29
→ General Venting Requirements	29
→ Vent Configurations	30
→ Vent Restrictor Sizing Guidelines	32
Clearances	33
Termination	34
Chimney Shroud	37
Installation	37
Maintenance	37
Gas	38
→ Gas Pressures	38
Routing the Gas Line	38
→ Gas Conversion	40
High Altitude Requirements	40
Gas and Electrical Components	40
Electrical	41
Electrical Requirements	41
Pairing the Remote and Receiver	41
Wiring Diagrams	42
Wiring for Wilderness 60 Series	42
→ Wiring for Wilderness 60H Series (100-3 Burner)	46
Home Automation Wiring Diagram	48

Driftwood Firelog Set	48
Firelog Installation Warnings	49
70-3 Burner Firelog Setup (60 Series)	50
→ 100-3 Firelog Setup (60H Series)	54
Log Base Position Adjustment	58
Adjustment Instructions	59
Operation	63
10-Button Remote Control Handset	63
Operating Instructions	63
Puck Handset	64
Operating Instructions	65
Wall Switch	66
Operating Instructions	66
→ MyFire App	67
Operating Instructions	67
MyFire Wi-Fi Box	67
Fireplace Maintenance	68
General Maintenance	68

Product Information

→ Models

Wilderness 60 Series fireplaces come standard with the Wilderness Driftwood 70-3 Firelog Burner. The 60H fireplaces have the recommended option to come with the Wilderness Driftwood 100-3 Firelog Burner instead.

The Wilderness Driftwood 100-3 Firelog Burner is longer than the 70-3, and it requires the fireplace to be power-vented using an Ortal Power Vent. For more information on the Ortal Power Vent System, such as installation, product dimensions, and technical data, refer to the Ortal Power Vent manual. Do not use vent configuration information in the Ortal Power Vent manual for the Wilderness 60H series fireplaces. Use the information in this manual for venting. See “Venting” section on page 29 for details.

Series	Models	Firelog Burner	Certification Standard	Gas Types	Direct Venting
Wilderness 60	Standard → Wilderness 60 Front → Wilderness 60 RS → Wilderness 60 LS → Wilderness 60 TS	Driftwood 70-3 (3 standard logs)	US: ANSI Z21.88-2019 Canada: CSA 2.33-2019	Natural Gas or Propane	Type: Passive Vent Vent Size: 5"x8" (co-axial)
	Optional (recommended) Wilderness 60H Front Wilderness 60H RS Wilderness 60H LS Wilderness 60H TS	→ Driftwood 100-3 (3 long logs)			→ Type: Power Vent Vent Size: 3"x5" (co-axial)

! VENTING NOTE: Venting is not supplied by Ortal with the fireplace. The fireplace is certified to be used with, and can be obtained from, the vent manufacturers outlined in “General Venting Requirements” section on page 29.

! POWER VENT NOTE: While an Ortal Power Vent (using 3"x5" pipe) is the recommended choice, under the few circumstances where an Ortal Power Vent might not be the perfect fit, the Enerdex RS Power Vent (using 5"x8" pipe) can be substituted. For more information on the Enerdex RS Power Vent System, refer to the Ortal Enerdex RS Power Vent System manual. Do not use vent configuration information in the Ortal Power Vent manual for the Wilderness 60H series fireplaces. Use the information in this manual for venting. See “Venting” section on page 29 for details.

Certification

Wilderness 60 Series fireplaces have been tested and approved by CSA Group for safety and efficiency for use with Natural Gas (NG) and Propane (LP) only, and **NOT** for use with solid fuels.

CSA Group is approved by the American National Standards Institute (ANSI) as an Accredited Standards Developer.

Certification Standard:

US: ANSI Z21.88 – 2019: Vented Gas Fireplace Heaters

Canada: CSA 2.33 – 2019: Vented Gas Fireplace Heaters



Products:

CLASS 2901 84: DOMESTIC HEATERS (GAS) Vented Fireplace: Certified to US Standard

CLASS 2901 04: DOMESTIC HEATERS (GAS) Vented Fireplace

The fireplaces are permitted for indoor use only. “Indoor” is defined as a conditioned space. The fireplaces are not approved for outdoor or partial outdoor installation. The fireplaces must be installed while maintaining required clearances. Installation is recommended in living spaces such as bedrooms, living rooms, great rooms, etc. The fireplaces are not approved for closet installation. The fireplace must be installed according to Ortal requirements in addition to any local codes that may apply, such as USA: ANSI Z223.1/NFPA 54, Canada: CSA B149.

! IMPORTANT:

- Consult the authority having jurisdiction to determine the need for a permit prior to starting the installation.
- It is the responsibility of the fireplace dealer and installer to ensure that this fireplace is installed and framed in compliance with these instructions and all applicable codes.
- Before starting, take careful note of **ALL** the **WARNINGS** in this manual.


→ **Rating Label**

DEALERS/INSTALLERS:


You **MUST** leave the fireplace's rating label with the fireplace in an area easily accessible by the owner (typically near the access panel, if available). You must instruct the owner before handing over the fireplace where this label can be found.

OWNERS:

Make sure the installer leaves your fireplace's rating label in an area that is easily accessible for you. This information is required for servicing and receiving replacement parts.

ORTAL®			
Manufacturer/Fabricant Ortal Ltd. 14 Haharash St. Hod Hasharon, 4524087 Israel Tel: 011-972-9-7402828 Fax: 011-972-9-7402687		For use only with vent, glass and interior design media certified and approved for use with the appliance. Not for use with solid fuel. For use with barriers certified for this appliance only. Utilisez uniquement avec des conduits, des panneaux vitrés et des accessoires décoratifs intérieurs homologués et approuvés pour une utilisation avec cet appareil. Pas pour l'usage avec le combustible solide. Pour une utilisation avec des barrières certifiées pour cet appareil uniquement.	
Serial No.:	<input type="text"/>	Approved By: Homologué Par:	CSA No.: 2358468
Tested to: CSA/ANSI Z21.88-2019 • CSA 2.33-2019 for Vented Gas Fireplace Heater Examiné à: CSA/ANSI Z21.88-2019 • CSA 2.33-2019 pour Foyer au gaz à évacuation			
Altitude rating: Estimation d'altitude:	0-2000 ft. / 0-610 m.	Electrical Rating: Estimation Électrique:	110 volt / 60 Hz / less than 5A
Model Series / Modèle Séries: Wilderness Driftwood			
<input type="checkbox"/> Wilderness 44 Front RS/LS/TS <input type="checkbox"/> Wilderness 51 Front RS/LS/TS <input type="checkbox"/> Wilderness 60 Front RS/LS/TS <input type="checkbox"/> Wilderness 44H Front RS/LS/TS <input type="checkbox"/> Wilderness 51H Front RS/LS/TS <input type="checkbox"/> Wilderness 60H Front RS/LS/TS <input type="checkbox"/> Wilderness 44HH Front RS/LS/TS <input type="checkbox"/> Wilderness 51HH Front RS/LS/TS <input type="checkbox"/> Wilderness 60HH Front RS/LS/TS <input type="checkbox"/> Wilderness Traditional 28i <input type="checkbox"/> Wilderness Traditional 36 <input type="checkbox"/> Wilderness Traditional 36S <input type="checkbox"/> Wilderness Traditional 42 <input type="checkbox"/> Wilderness Traditional 51			
Fuel Type/Type de combustible:		<input type="checkbox"/> NG/GN	<input type="checkbox"/> PROPANE
Max Input / Débit max. (BTU/HR):	32,163		31,400
Min Input / Débit min.(BTU/HR):	15,696		21,400
Orifice Size / Taille de l'orifice:	320-160-320 380		90-60-90 180
Gas Inlet Pressure (W.C.) inches: Pression d'entrée de gaz (CE) pouces:	7.0		11.0
Gas manifold Pressure (W.C.) inches: Pression d'alimentation (CE) pouces:	4.7		4.7
Clearances to Combustibles (with included standoffs): Espacement par rapport aux matériaux inflammables (avec entretoises inclus):	Sides: Côtés:	0°	Back: Arrière:
		0°	In front of Glass Devant le panneau vitré:
			40°
Also adhere to clearance diagrams and instructions included in the ORTAL manual. Adhérer également aux schémas d'espacement et des instructions figurant dans le manuel ORTAL.			
SKU: M209-WILD-DRIFT			

Rating Label: Wilderness Driftwood 70-3 (for 60 Standard-Height & 60H Series)

ORTAL®			
Manufacturer/Fabricant Ortal Ltd. 14 Haharash St. Hod Hasharon, 4524087 Israel Tel: 011-972-9-7402828 Fax: 011-972-9-7402687		For use only with vent, glass and interior design media certified and approved for use with the appliance. Not for use with solid fuel. For use with barriers certified for this appliance only. Utilisez uniquement avec des conduits, des panneaux vitrés et des accessoires décoratifs intérieurs homologués et approuvés pour une utilisation avec cet appareil. Pas pour l'usage avec le combustible solide. Pour une utilisation avec des barrières certifiées pour cet appareil uniquement.	
<input type="checkbox"/> ORTAL <input type="checkbox"/> LYRIC		Approved By: Homologué Par: CSA No.: 2358468	
Tested to: CSA/ANSI Z21.88-2019 • CSA 2.33-2019 for Vented Gas Fireplace Heater Examiné à: CSA/ANSI Z21.88-2019 • CSA 2.33-2019 pour Poêles-foyers ventilés			
Altitude rating: Estimation d'altitude:	0-2000 ft. / 0-610 m.	Electrical Rating: Estimation Électrique:	110 volt / 60 Hz / less than 5A
Model Series / Modèle Séries: Wilderness Driftwood 100-3			
<input type="checkbox"/> Clear 110 HH/RS/LS/TS/TU <input type="checkbox"/> Wilderness 68 H/HH FR/RS/LS/TS/TU <input type="checkbox"/> Wilderness 44 H/HH FR/RS/LS/TS/TU/SC/SA <input type="checkbox"/> Wilderness 77 H/HH FR/RS/LS/TS/TU/SC <input type="checkbox"/> Wilderness 50 SC <input type="checkbox"/> Wilderness 96 H/HH FR/RS/LS/TS/TU <input type="checkbox"/> Wilderness 51 H/HH FR/RS/LS/TS/TU <input type="checkbox"/> Island 51 <input type="checkbox"/> Wilderness 60 H/HH FR/RS/LS/TS/TU/SC/SA			
Fuel Type/Type de combustible:		<input type="checkbox"/> NG/GN	<input type="checkbox"/> PROPANE
Max Input / Débit max. (BTU/HR):	52,000		48,000
Min Input / Débit min.(BTU/HR):	36,101		30,690
Orifice Size / Taille de l'orifice:	650-180-500 500		180-60-120 260
Gas Inlet Pressure (W.C.) inches: Pression d'entrée de gaz (CE) pouces:	11.0		13.0
Gas manifold Pressure (W.C.) inches: Pression d'alimentation (CE) pouces:	5.0		6.6
Clearances to Combustibles: Espacement par rapport aux matériaux inflammables:	Sides: Côtés:	0°	Back: Arrière:
		0°	In front of Glass Devant le panneau vitré:
			40°
Also adhere to clearance diagrams and instructions included in the ORTAL manual. Adhérer également aux schémas d'espacement et des instructions figurant dans le manuel ORTAL.			
SKU: M209-WD100-3			

→ **Rating Label: Wilderness Driftwood 100-3 (for 60H Series)**

Zero-Clearance Stand-Offs

The fireplace has zero-clearance stand-offs fastened to the body of the fireplace as shown in the figures below. Stand-offs must be fully extended upon installation.

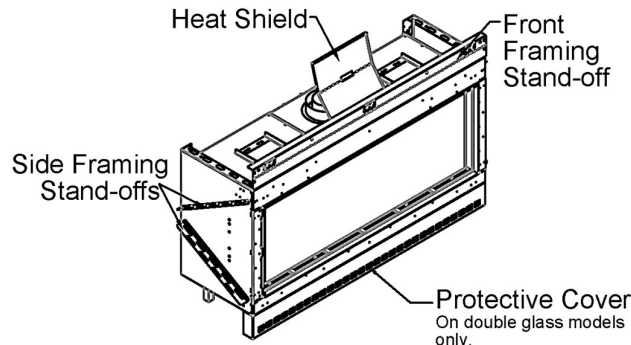
Heat Shield: Attached to the top front part of the fireplace. It is foldable at the attachment site on top of the fireplace and $\frac{2}{3}$ to the top of the shield. The heat shield serves to direct the heat coming out the of the heat barrier vents at the top of the fireplace and maintains clearance to the vent pipe.

Side & Back Framing Stand-offs: Attached to the sides and back of the fireplace. These stand-offs keep enough distance from the fireplace to the framing to allow for proper airflow inside the chase. These stand-offs can directly touch combustible framing.

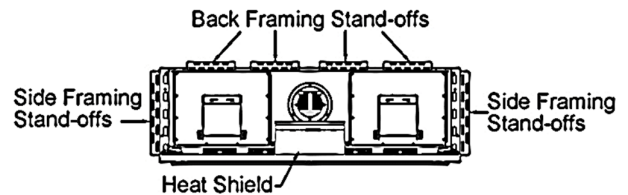
Front Framing Stand-offs: Attached to the front top portion of the fireplace above the glass viewing area. It keeps a clearance above the heat barrier vents on the top of the fireplace to ensure proper air flow inside the chase. The top of this stand-off can directly touch combustible framing. Any framing in front of the stand-off must be non-combustible.

Protective Cover: Attached under the bottom front part of the fireplace to protect the double glass fans during shipping and installation. This cover is present on double glass models only. Screen models do not come with a protective cover.

Wilderness 60 Series Front Facing

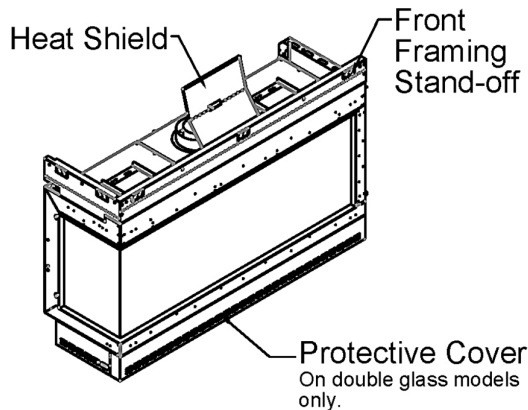


Zero-Clearance Stand-Offs (Isometric View)

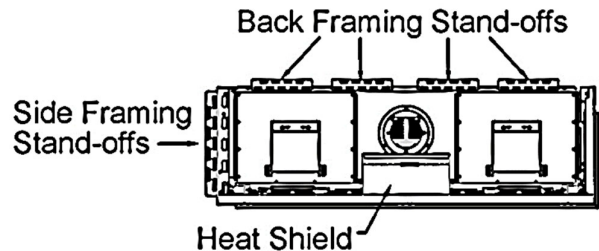


Zero-Clearance Stand-Offs (Top View)

Wilderness 60 Series Corner (RS/LS)

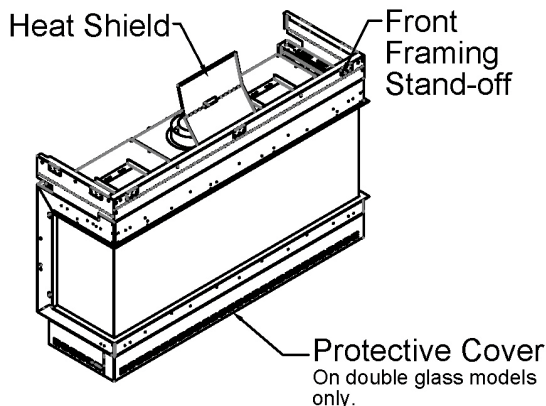


Zero-Clearance Stand-Offs (Isometric View)

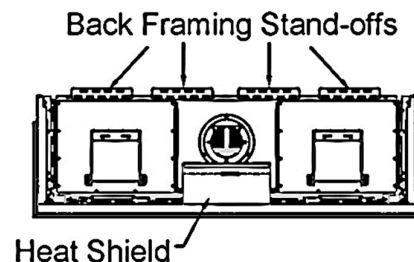


Zero-Clearance Stand-Offs (Top View)

Wilderness 60 Series Three Sided



Zero-Clearance Stand-Offs (Isometric View)



Zero-Clearance Stand-Offs (Top View)

Installation

Prior to Installation

Locate the Fireplace

Keep the following factors in mind when selecting a location for the fireplace:

- Fireplace clearance requirements (review “General Clearances” section on page 15).
- Heat release and air intake requirements (review “Heat Release” section on page 16 and “Air Intake Opening” section on page 18).
- Adequate space for servicing.
- Access area requirements (review “Access Area Requirements” section on page 22).
- Minimum vertical vent rise, allowed horizontal lengths, and number and orientation of elbows (review “Vent Configurations” section on page 30).
- Framing and finishing requirements (review “Framing” section on page 11 and “Finishing” section on page 27).
 - Front wall installation and finishes to be completed after fireplace and vent installation (review “Step-by-Step Chase Construction” section on page 26).
- Floor or Platform requirements (review “Chase Floor/Platform” section on page 11).

Fireplace Installation

Use the following guidelines to ensure a smooth installation. The installation sequence is divided into three phases: Planning, Installation, and Startup.

First Trip to Site: Planning

Consult with the contractor and go over all requirements:

- Chase framing requirements.
- $\frac{5}{8}$ " Type X Drywall (or equivalent) requirements.
- Heat release requirements.
- Air Intake requirements (if applicable).
- Access panel size and location.
- Gas and electrical specs and location.
- Vent configuration.
- Finishing details.



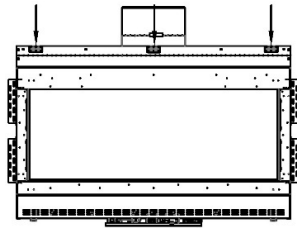
NOTE: Provide the contractor with a printed copy of the “Building Checklist” (on page 10) and review requirements with them.

Second Trip to Site: Installation

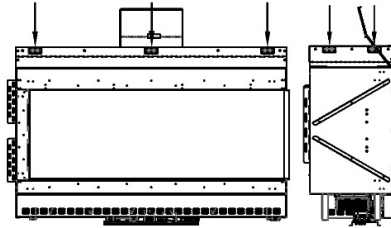
- Confirm the following items are properly located and built to specification:
 - Framing (with $\frac{5}{8}$ " Type X Drywall as applicable)
 - Platform
 - Gas and electrical
 - Access panel (if applicable)
 - Heat release
 - Air intake (if applicable)
- Clear a path free of any possible obstruction to carry in the fireplace.
- Uncrate the fireplace and set in place.
- Make sure all zero-clearance metal stand-offs on the outside of the fireplace are fully extended.
- Secure the fireplace to the framing by attaching the nailing flanges to the framing. See “Securing the Fireplace” section on page 9.
- Remove all zip ties.
- Optional: Remove gas and electrical components from metal shipping plate if desired.
- Move the components to the access panel location. Be mindful of the routing for future service needs.
- Install the vent components. See “Vent Installation” section on page 9.
- Review the front wall requirements (see “Step-by-Step Chase Construction” section on page 26) and finishing details with the contractor.
- Protect the fireplace and components from damage.

Securing the Fireplace

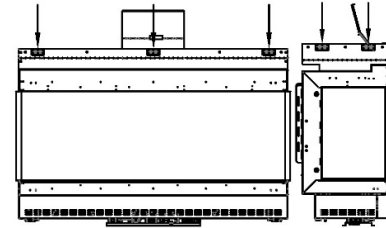
The fireplace has nailing flanges attached to the face of the fireplace (see figures below). The nailing flanges are to be attached into the framing upon installation. It is crucial to the finishing that the fireplace is stable, level, and plumb. For added stability (though not required), re-use the shipping brackets to secure the legs of the fireplace to floor/platform.



Nailing Flanges for Front Facing



Nailing Flanges for Corner (RS/LS)



Nailing Flanges for Three Sided

Vent Installation

Venting must be installed according to the requirements detailed in the "General Venting Requirements" section of this manual (page 29) in conjunction with the vent system manufacturer's installation instructions. Venting must be supported by the structural surrounding and not by the fireplace. Each offset (elbow) must be strapped to reduce movement or possible disconnection.

The first section of venting must be secured to the fireplace starter collar with a minimum of 3 sheet metal screws no longer than 1/2". DO NOT use silicone to seal the sections. If sealing is required by the vent manufacturer or local code, use Mil-Pac sealant.

Third Trip to Site: Startup

- Perform a visual inspection to confirm that all work was completed correctly and per specification.
- Confirm that gas and electrical are properly connected and live.
- Remove the safety barrier and glass and clean the inside of the fireplace.
- Install media as specified in the "Driftwood Firelog Set" section on page 48.
- Confirm firelog placement is set up per specification.
- Check remote-control setup.
- Remove protective layer from glass.
- Clean glass.
- Reinstall the glass and safety barrier.
- Review operation of the fireplace and remote control with the owner.
- Set up return visit to clean glass after the Initial Burning Period (see "Post-Installation" section below).

Post-Installation

Complete the following post-installation steps upon 4th trip to site.

Initial Burning Period

There is a 12-hour minimum burning period following installation of the fireplace. This 12-hour period must include a minimum of 4 consecutive hours of continuous burning. During this time, the owner or installer may notice:

- The glass developing a white or "cloudy" residue.
- An unusual smell

Both the residue and the smell are due to the paint on the fireplace metal heating and "burning off". This is normal. The cloudiness and odor will disappear after the 12-hour period elapses and the installer returns to service the fireplace and complete startup.

Final Inspection Procedure

When the 12-hour burning period is complete, the installer must return and perform the final inspection, which includes:

- Cleaning the glass with a ceramic glass cleaner (otherwise the white residue will remain)
- Checking the interior media setup
- Checking for gas leaks
- Adjusting the restrictor (if necessary)
- Performing an overall check to make sure that everything is working properly.

When these activities are complete, initial startup is concluded and the fireplace may be operated by the owner.

Final Checks and User Instruction

Before releasing the fireplace to the customer for use without installer supervision, the installer must ensure that the fireplace is burning correctly. In addition, the installer must review and explain the following to the owner:

- Safety warnings
- Fireplace operation
- Warranty requirements
- Maintenance requirements
- Glass is hot during and after operation.
- If any questions or concerns arise, owner must contact the local Ortol dealer/installer for support.

Building Around the Fireplace

Building Checklist

The following building checklist is a quick reference for a typical Wilderness 60 series fireplace installation. This list is not exhaustive and does not supplement thorough review of the installation manual.

- ☑ **Fireplace Location:** Ensure the location allows for min. 40" clearance from viewing area to furniture and other combustibles. Make sure a clear path is established to allow the fireplace to be safely transported to installation location.
- ☑ **Exhaust Vent:** Confirm vent size (5"x8", or 3"x5" for Power Vent), vent clearance (1" on sides and bottom, 3" on top), vent configuration, and termination location.
- ☑ **Height from Floor:** Fireplace leg height is 9 ¹³/₁₆" (to bottom viewing area). Legs cannot be removed/altered. If desired viewing area location on the wall is higher than 9 ¹³/₁₆", a platform can be built for the fireplace to stand on.
- ☑ **Chase Floor/Platform:** Fireplace can stand on the chase floor or a platform. Floor or platform must be able to bear the weight of the fireplace. It can be constructed out of wood, concrete, metal, or any other solid materials (not required to be non-combustible).
- ☑ **Chase Construction:** No materials can be attached directly to the fireplace (exception: ⁵/₈" Type X Drywall). The area of the chase interior must be min. 200 square inches at any given point within the chase.
- ☑ **Framing:** Adhere to minimum framing dimensions (or greater). The first 10 ⁷/₁₆" above the top of the fireplace viewing area must always be non-combustible framing. For recessed fireplaces, do not exceed 12" max. front overhang depth limit. For Corner and TS models, side overhang has no limit. No material is permitted to extend past the metal lip surrounding the fireplace viewing area.
- ☑ **⁵/₈" Type X Drywall Requirements:** One layer of ⁵/₈" Type X Drywall (or equivalent) must be installed on the exterior of the chase framing. ⁵/₈" Type X Drywall (or equivalent) may be fastened to the top framing stand-off(s) only, with 1" self-tapping drywall screws 16" on center.
- ☑ **TV/Artwork:** TV/Art must be min. 4" above top of fireplace viewing area for flush-mounted TVs, and 12" for TVs recessed into the wall. First 10 ⁷/₁₆" min. above the viewing area must have non-combustible framing (top front metal stand-off + non-combustible studs).
- ☑ **Gas Supply Line and Power Location:** Locate gas line with manual shut off according to local code. Power provided by a duplex outlet receptacle (120V, 15 amp, 60Hz) in same area as gas line.
- ☑ **Access Area:**
 - **For 60 Series with 70-3 burner:** An access panel is highly recommended to access gas and electrical components for servicing. Depending on the model, access panel can be placed at side or back of the fireplace within 3 feet of the pilot. Access panel, or some other form of clear access to the chase, is required for power-vented fireplaces. Size recommendation: as large as possible depending on application. Min. recommended size 10"x10".
 - **For 60H Series with 100-3 burner:** An access panel, or some other form of clear access, is required at the power vent control box and the power vent fan box to access components for servicing. At the control box, min. size requirement is 12"x12". Min size requirement at the power vent is 18"x18".
- ☑ **Heat Release:** *Crucial for Cool Wall Technology.* Must start within 6" (max.) from the chase's ceiling. Min. heat release size is 200 sq.in. of net free air space for a horizontally oriented heat release. Height of the horizontal heat release must not exceed 1/3 of the width. A vertical heat release must be 260 sq. in. of net free air space.
- ☑ **Air Intake:** Only required for double glass heat barrier. Must be located at or below level of double glass fans. Min. 200 sq.in. of net free air space.
- ☑ **Finishes:** For finishes flush to the fireplace, no clearances are required. For finishes where the fireplace is recessed to the finish, maintain ¹/₈" from the finish to the front face of the fireplace.

Framing

Framing Requirements

Fireplace chase may be framed with either combustible (typically wood studs) or non-combustible framing (typically metal studs). Any framing within $10\frac{7}{16}$ " from the top of the fireplace glass (viewing area) must be non-combustible. Any framing after that point may be combustible.

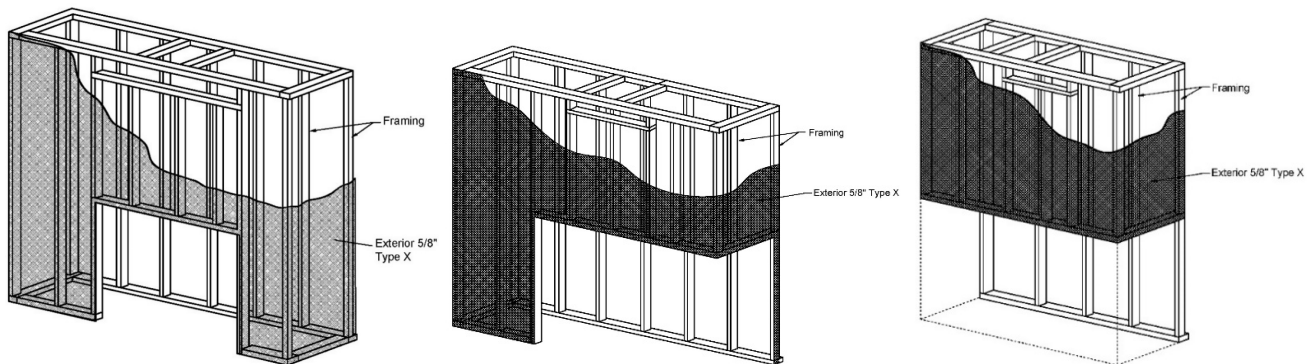
The framing of the fireplace chase must be designed to carry the entire weight of the wall and finish material. Surrounding material must not transfer weight to the fireplace or be connected in any way to the fireplace, with the exception of $\frac{5}{8}$ " Type X drywall or its equivalent. **$\frac{5}{8}$ " Type X drywall may be fastened to the top zero-clearance stand-offs only, with 1-inch self-tapping drywall screws 16 inches on center.**

No material is permitted to extend past the $\frac{5}{8}$ " deep metal drywall lip surrounding the fireplace viewing area. This area must be unobstructed to allow the heat barrier and inside glass panel to be removed.

See next page for "Framing Dimensions" section.

$\frac{5}{8}$ " Type X Drywall Requirements

Exterior of the framing must be covered with $\frac{5}{8}$ " Type X Drywall (or equivalent). Chase interior does not require a layer of $\frac{5}{8}$ " Type X Drywall. This applies to both combustible and non-combustible framing.



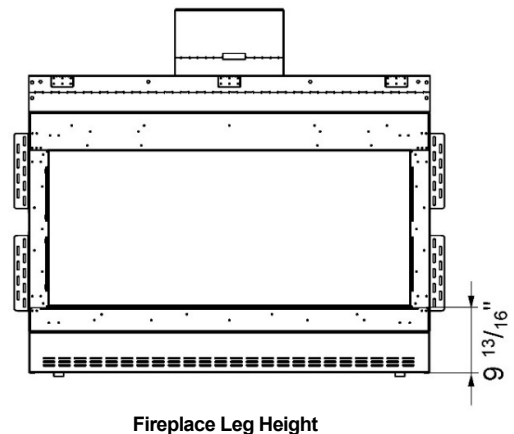
NOTE: $\frac{5}{8}$ " Type X Drywall (or equivalent) is not required on the exterior portion of an insulated outside-facing wall.

Chase Floor/Platform

The fireplace must be installed on a flat, solid, continuous surface. Surface can be wood, concrete, metal, and other typical solid floor types. Surface material is not required to be non-combustible.

Fireplace leg height is $9\frac{13}{16}$ ", measured to the bottom viewing area. Legs cannot be removed, cut, or adjusted.

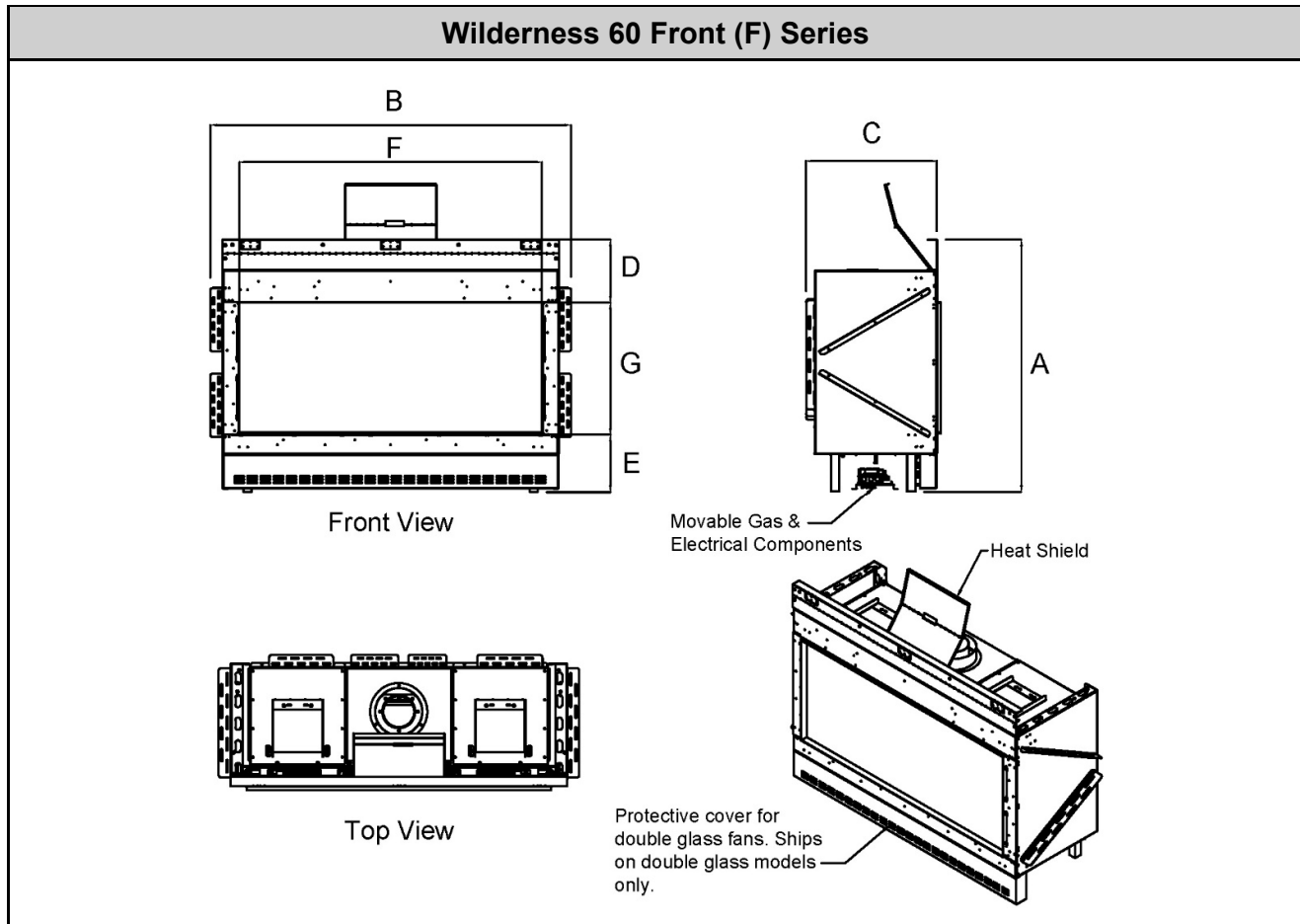
Raised Platform Option: To raise the fireplace higher than $9\frac{13}{16}$ " height, build a platform for the fireplace to stand on. Platform must be stable and able to bear the full weight of the fireplace. Platform can be constructed out of wood, concrete, metal, or any other solid materials. Platform material is not required to be non-combustible.



NOTE: For fireplaces with the double glass heat barrier, an air intake might be necessary to incorporate into the platform depending on the design. See "Air Intake for a Platform" section on page 19 for details.

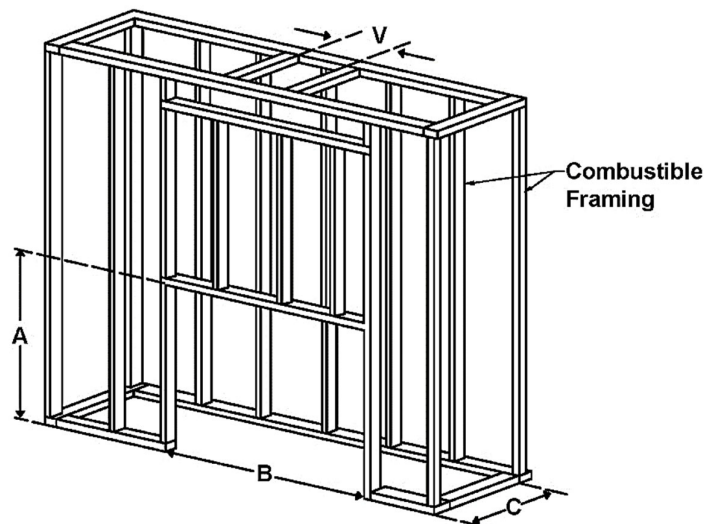
→ Framing Dimensions

The following diagrams are for illustrative purposes only. There are multiple approved framing scenarios. A flush application is not the only permitted application. The fireplace may be recessed into the wall. Refer to diagrams and values below and in the following pages for details.

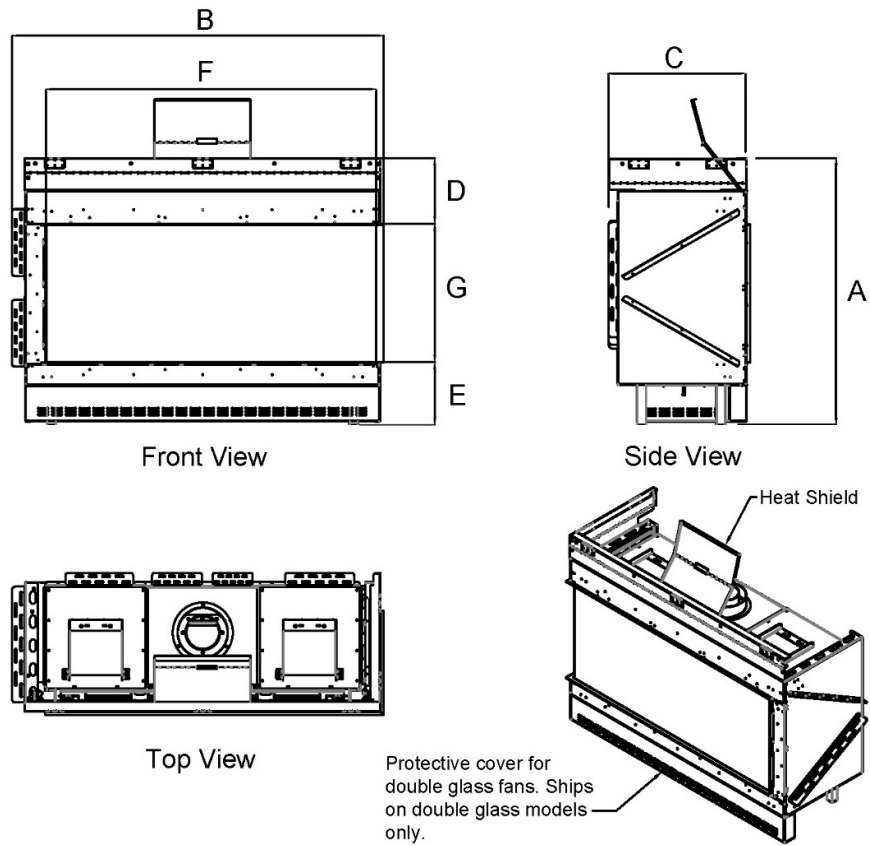


Fireplace	A: Height	B: Length	C: Depth	D: Stand-Off	E: Legs	F: Glass Length	G: Glass Height
→ 60 F	35 3/4"	69 7/16"	21 5/8"	10 7/16"	9 13/16"	60 1/8"	15 3/4"
60H F	41 11/16"	69 7/16"	21 5/8"	10 7/16"	9 13/16"	60 1/8"	21 5/8"

Framing		
Fireplace	→ 60 F	60H F
A: Height	35 3/4"	41 11/16"
B: Length	69 7/16"	69 7/16"
C: Depth	21 5/8"	21 5/8"
V: Firestop	Refer to pipe manufacturer's firestop dimensions	

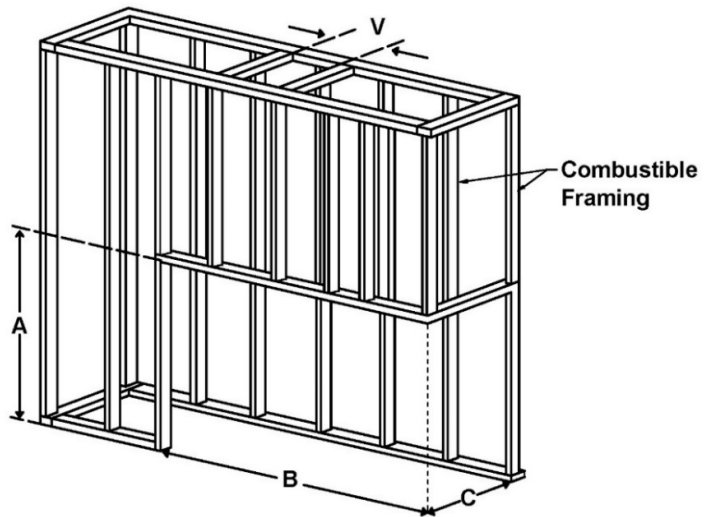


Wilderness 60 Corner (RS/LS) Series

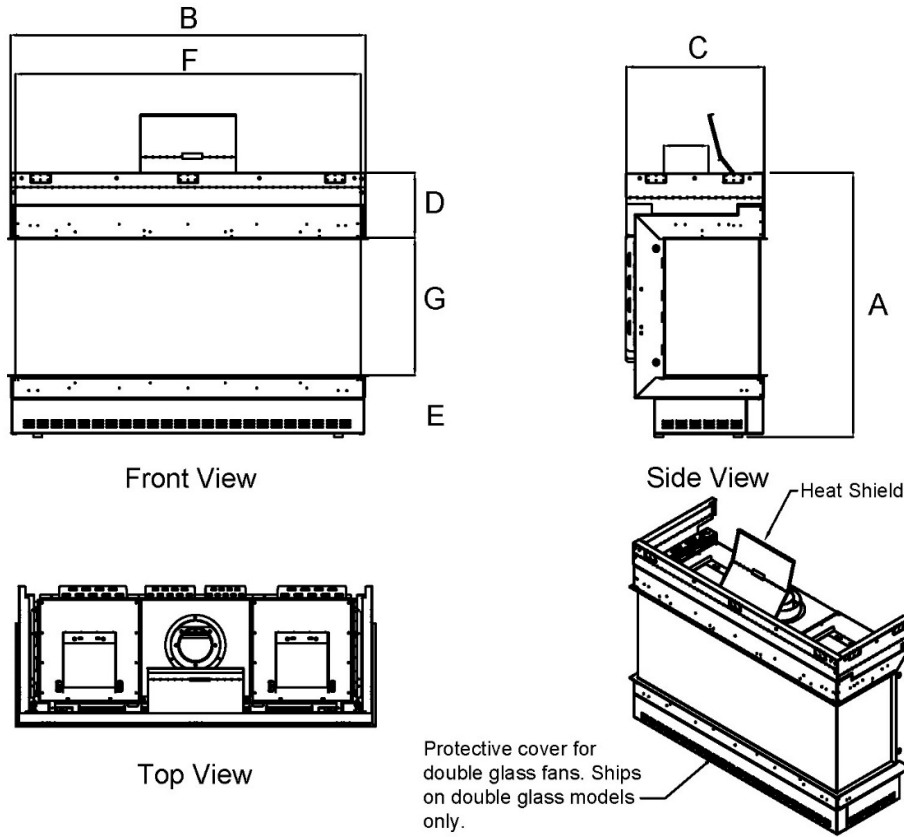


Fireplace	A: Height	B: Length	C: Depth	D: Stand-Off	E: Legs	F: Glass Length	G: Glass Height
→60 RS/LS	35 3/4"	68 1/16"	21 5/8"	10 7/16"	9 13/16"	62 7/8"	15 3/4"
60H RS/LS	41 11/16"	68 1/16"	21 5/8"	10 7/16"	9 13/16"	62 7/8"	21 5/8"

Framing		
Fireplace	→60 RS/LS	60H RS/LS
A: Height	35 3/4"	41 11/16"
B: Length	68 1/16"	68 1/16"
C: Depth	21 5/8"	21 5/8"
V: Firestop	Refer to pipe manufacturer's firestop dimensions	

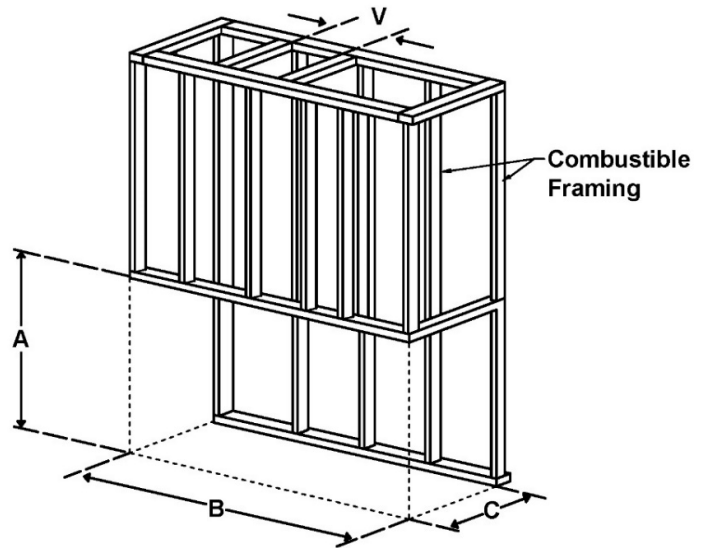


Wilderness 60 Three Sided (TS) Series



Fireplace	A: Height	B: Length	C: Depth	D: Stand-Off	E: Legs	F: Glass Length	G: Glass Height
→ 60 TS	35 3/4"	66 11/16"	21 5/8"	10 7/16"	9 13/16"	66 11/16"	15 3/4"
60H TS	41 11/16"	66 11/16"	21 5/8"	10 7/16"	9 13/16"	66 11/16"	21 5/8"

Framing		
Fireplace	→ 60 TS	60H TS
A: Height	35 3/4"	41 11/16"
B: Length	66 11/16"	66 11/16"
C: Depth	21 5/8"	21 5/8"
V: Firestop	Refer to pipe manufacturer's firestop dimensions	

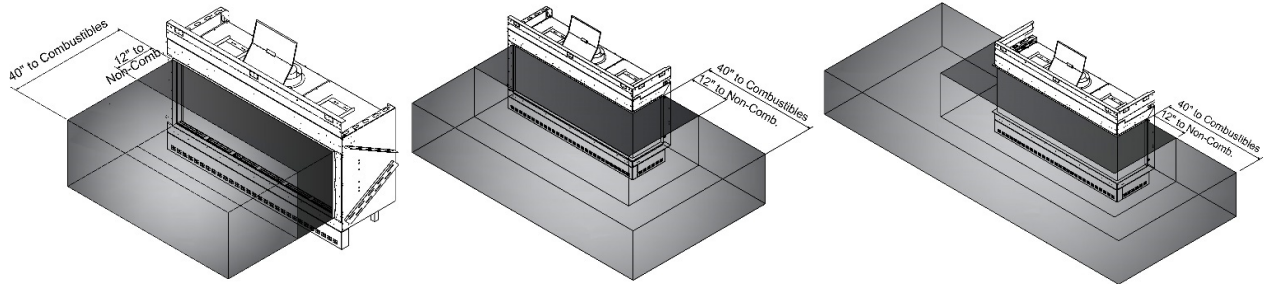


General Clearances

Viewing Area Clearance Zone

The viewing area clearance zone is an area that extends perpendicular from the fireplace viewing area. The depth of the viewing area clearance zone depends on the combustibility of the material in question. Distance is measured from the fireplace heat barrier.

Non-Combustible Materials	Must be minimum 12 inches from fireplace viewing area.
Combustible Materials	Must be minimum 40 inches from fireplace viewing area.

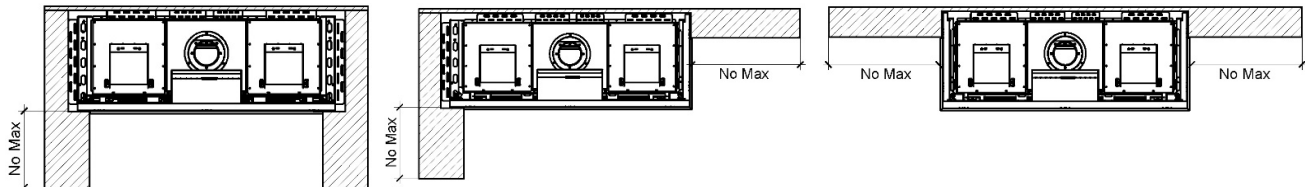


Materials (including combustible flooring and combustible finish material) are permitted below and around the viewing area clearance zone.

! IMPORTANT NOTE: When placing material near the glass, take care to consider fireplace serviceability. It is strongly recommended that any items/materials placed in front of the front (long) glass be movable for easy access to the fireplace during servicing.

Clearance to a Side Wall

The fireplace viewing area is zero-clearance to a side wall. A side wall is defined as a wall that meets the viewing area at a 90° angle.



 = Building Material

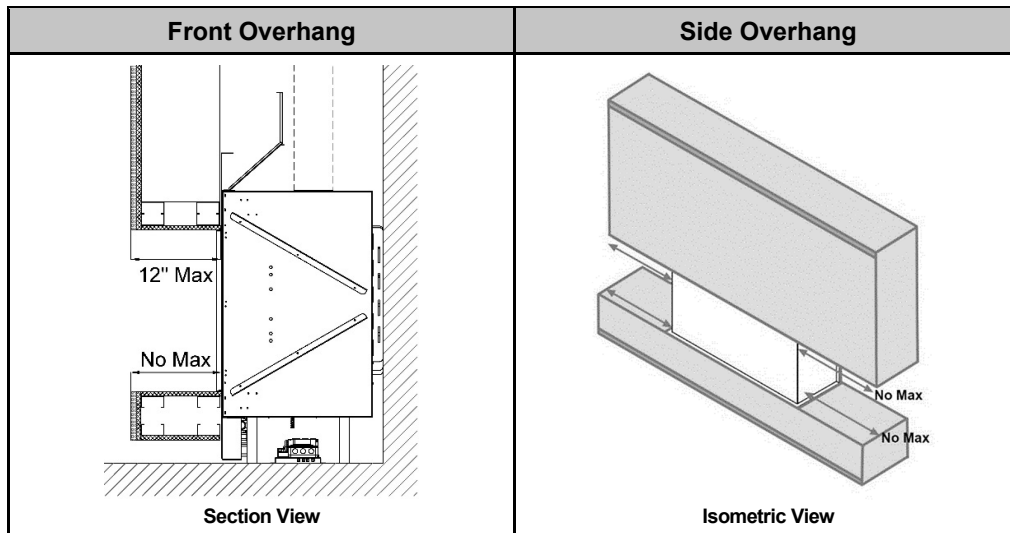
The temperature on the side wall can get as high as 150°F above ambient temperature. While the fireplace certification allows for this temperature variance, building and finish materials will have their own limitations. Consult the material manufacturer to ensure the material can safely withstand this temperature range.

This information does not apply to a wall that is constructed in front of the viewing area. For materials that will be in front of a main or side viewing area, please refer to the "Viewing Area Clearance Zone" section above.

Maximum Overhang Depth

Overhang depth of a recessed fireplace must not exceed **12 inches**. Overhang depth is measured from the edge of the fireplace lip to the out-most part of the wall (including finish material). **Side overhang has no limit.**

Bottom recess (or "hearth extension") has no minimum or maximum depth requirement. If bottom recess depth exceeds 12 inches, ensure the structure is capable of supporting the weight of a fireplace technician for servicing.



Heat Release

A heat release is an opening in the fireplace chase that allows the heat inside the chase to passively circulate into an interior room. This heat is generated convectively as the fireplace heats up. It is separate from exhaust heat produced in the combustion chamber of the fireplace. For safety purposes, a **heat release is required** in order to keep the wall around the fireplace cool. Heat release requirements are the same for all 60 series models.

Heat Release Requirements

- The heat release must be located at or near the top of the fireplace chase and **start within** 6 inches (0-6 inches max) of the chase ceiling/firestop. It can start at the chase ceiling. It can be located on the front, sides or back of the chase. It can be released into any interior space that shares a wall with the chase.
- Minimum heat release size requirement depends on heat release orientation:

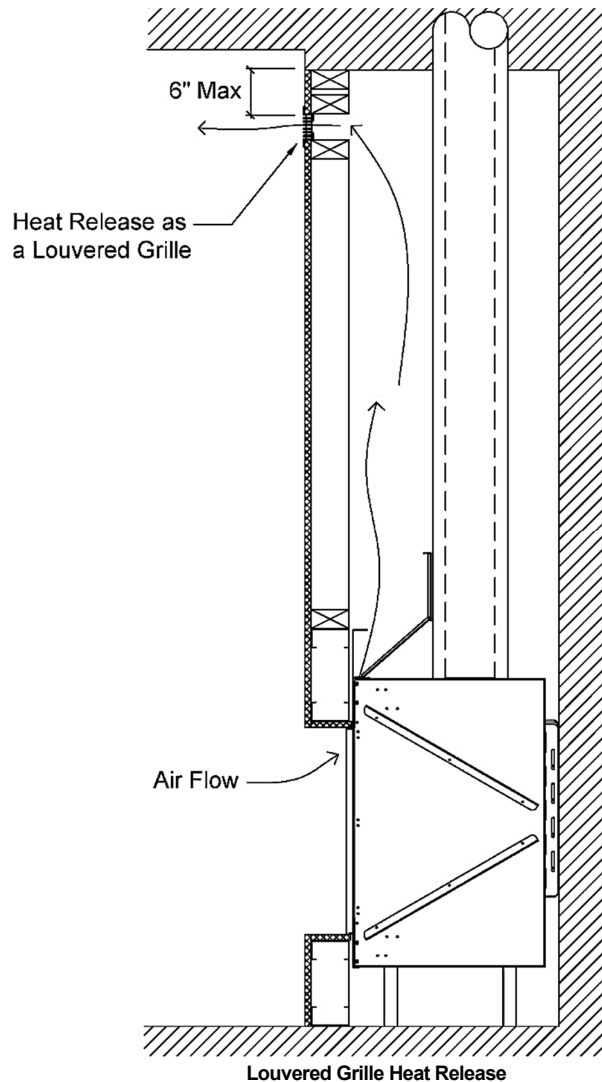
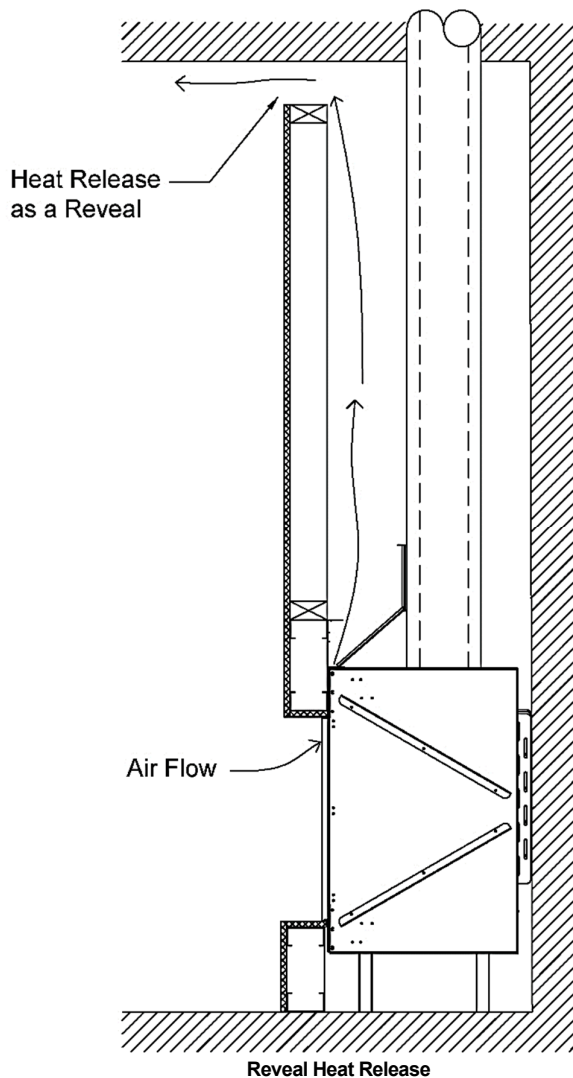
Fireplace Series	Horizontal Heat Release	Vertical Heat Release
Wilderness 60	Minimum 200 sq. in. of free air space	Minimum 260 sq. in. of free air space

- For horizontal heat releases only, the height of the heat release must not exceed 1/3 of the width. (This does not apply to vertical heat releases.)
- The space the heat release vents into must have a minimum volume of 184 ft³.
- The heat release can be in the form of (but not limited to) a louvered ventilation grille, gap, or reveal.
 - For louvered/perforated ventilation grilles, the net free air space allowed in the louvered area must be equal or greater than the minimum number of square inches required per fireplace.
- The interior area of the narrowest part of the fireplace chase (in square inches) must never be less than your required heat release size (see "Chase Area Minimum" section on page 24 for details).
- The heat release cannot be vented outdoors or to an unconditioned space.

NOTE: An angled heat release is not permitted.

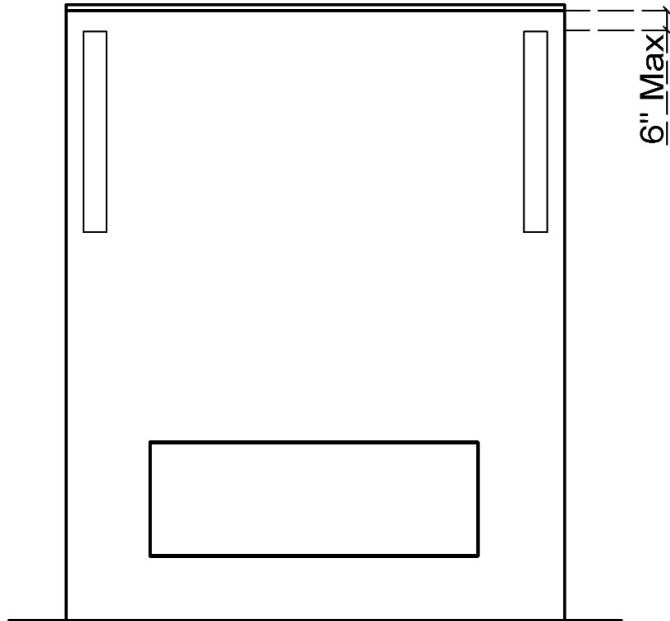
The following diagrams are examples of potential heat release options. These drawings serve as illustrative purposes only.

Horizontal Heat Release



Vertical Heat Release: Split Front

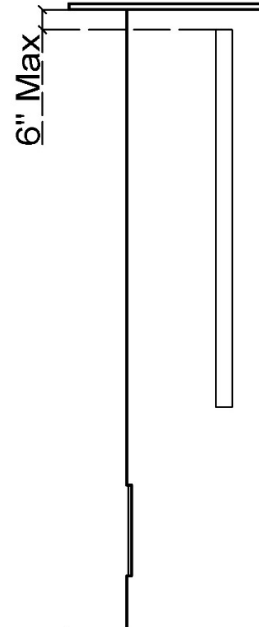
The heat release is oriented vertically and split between the two sides of the chase.



Split Front Vertical Heat Release

Vertical Heat Release: Full Side

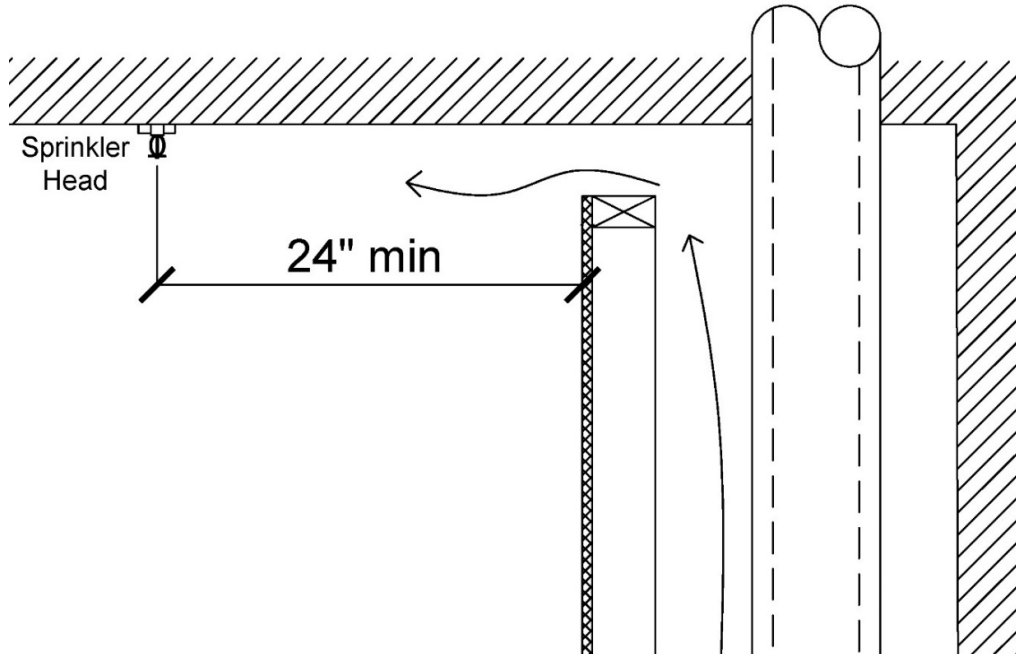
The heat release is oriented vertically. Entire heat release is on one side of the fireplace chase.



Full Vertical Heat Release on One Side

Sprinkler Clearance to Heat Release

In a situation where a sprinkler head is near the heat release, the sprinkler head must be minimum 24 inches (linear length) from every point of the heat release opening.



Sprinkler Head

24" min

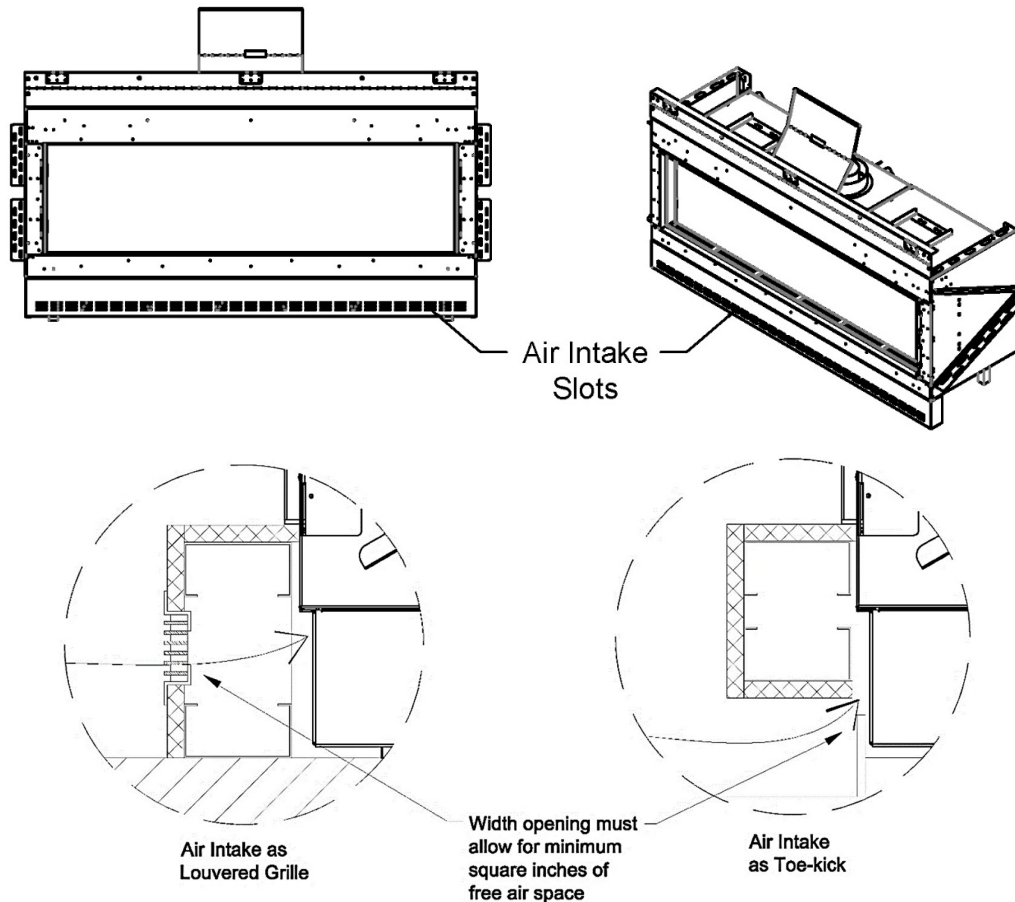
Air Intake Opening

For fireplaces with a double glass heat barrier only, an air intake opening must be incorporated into the framing and finish around the fireplace. The air intake opening is essential to maintain cool air flow between the double glass panels by allowing the double glass fans to circulate room air through the glass panels and up into the chase. The opening must meet the minimum size requirement, as stated in the table below.

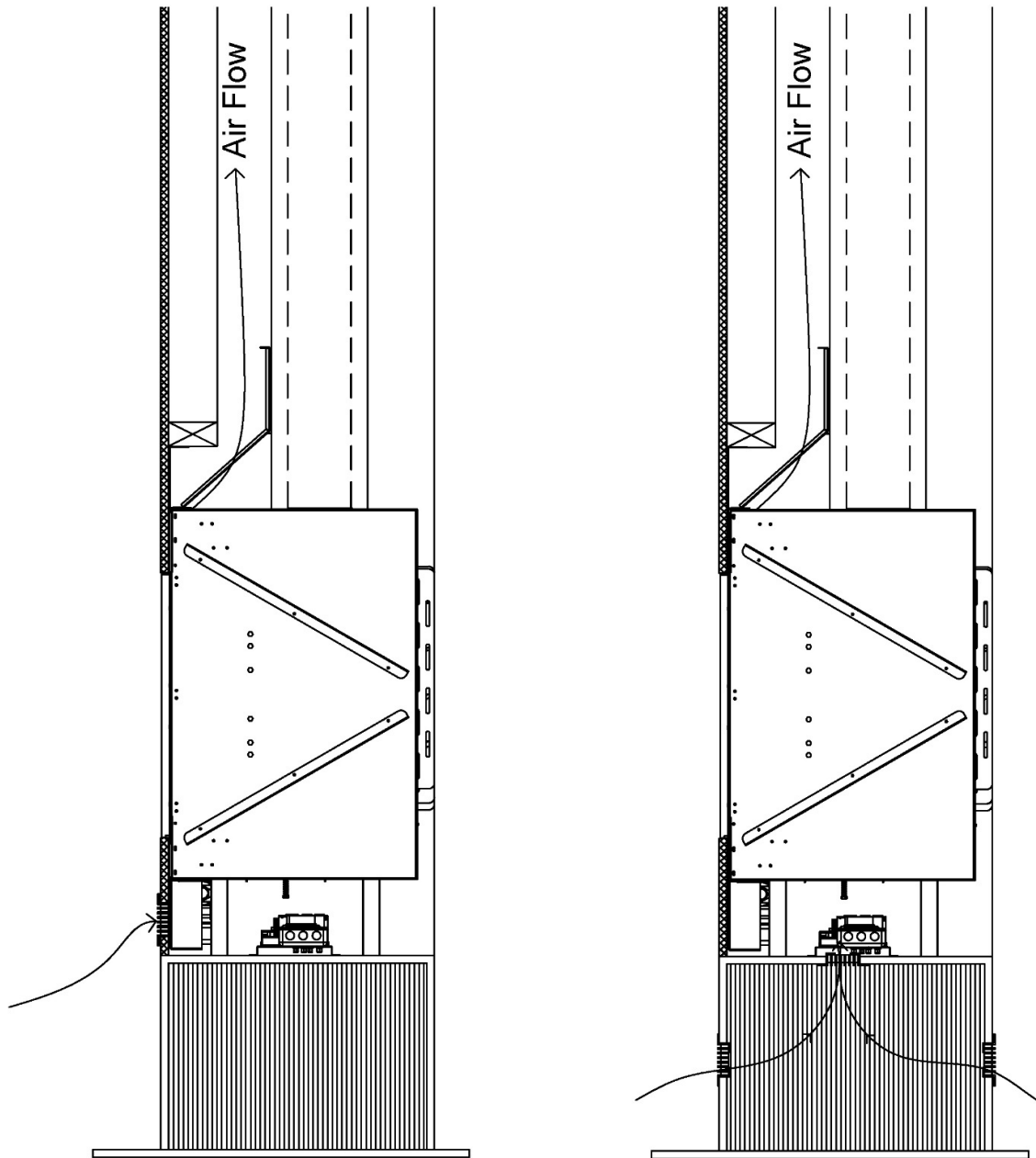
Fireplace Series	Air Intake Opening Size
Wilderness 60	Minimum 200 sq. in. of free air space



The air intake opening can be finished in the form of a louvered ventilation grille, gap, or toe-kick (reveal). For louvered ventilation grilles, the net free air space allowed in the louvered area must be equal or greater than the minimum number of square inches required per fireplace.


The entire air intake opening must be located at or below the level of the double glass fans. The air intake is not required to be on the front wall of the fireplace. The air intake cannot be on a wall that allows air from outside the house directly into the fireplace chase. Air must be from a conditioned space. **Air flow must be able to get to the double glass fans through the air intake slots in the protective cover(s) at the bottom of the fireplace.** Protective cover(s) is/are removable.



Air Intake for a Platform



LEGEND	
	5/8" Type X Drywall
	Combustible Framing

 NOTE: Please refer to the “Chase Floor/Platform” section on page 11 for details on platform construction.

Mounting a TV/Artwork

Ortal's Cool Wall Technology is a technique that reduces the convective heat from the fireplace and prevents heat buildup inside the fireplace chase, mitigating any damage that may result from the wall reaching high temperatures. Ortal's Cool Wall system enables the option of safely installing artwork, a TV, or other similar electronic components above the fireplace by reducing the wall temperature above the fireplace.

Location	Wall Temperature
0-6 inches above fireplace	100°F - 120°F
6-12 inches above fireplace	90°F - 100°F
12 inches above fireplace	80°F - 90°F

Maintain the following general requirements to mount a TV or artwork above the fireplace and prevent heat damage:

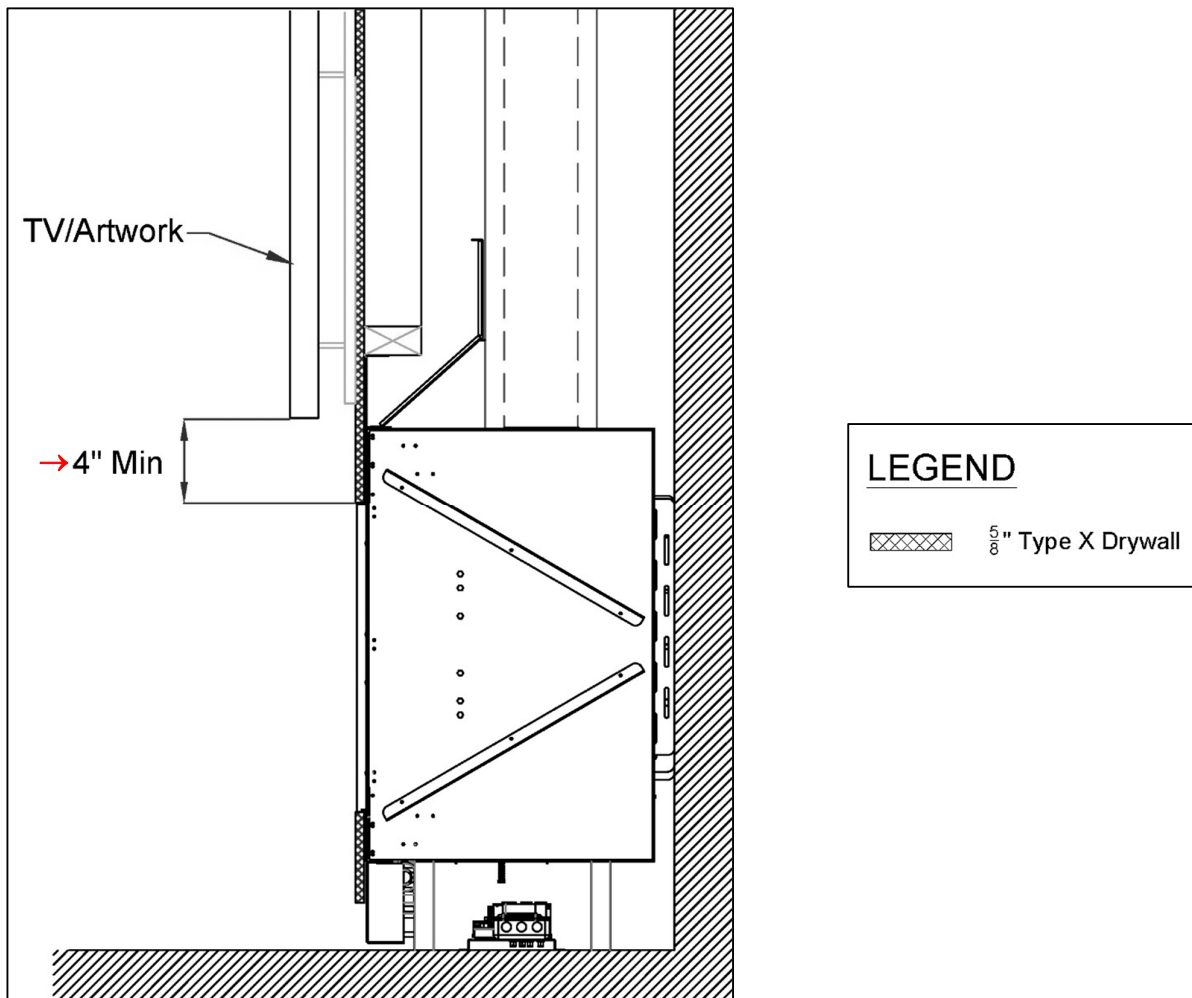
- ■ Mount the TV or artwork at the minimum clearance above the top of the fireplace viewing area. Minimum clearance amount depends on flush or recessed installation. See sections below for more information.
- Wires inside the chase are not permitted to cross over the fireplace. Wires must be installed against a wall.

The decision to install a television above an Ortal fireplace is up to the discretion of the owner. TV and art manufacturers may specify that their product should not be installed on, near or above a heat source. Ortal will not be held liable for any adverse effects on a TV, artwork or other equipment located near the Ortal fireplace. It is the owner's responsibility to verify that their TV or artwork can withstand the wall temperatures as outlined in the above wall temperature chart.

The following diagrams can be used as a guide for customers who do decide to locate their TV and artwork above their Ortal fireplace. These drawings illustrate ways of reducing the amount of heat impact to the area surrounding the fireplace.

→ Flush Mounted TV/Artwork

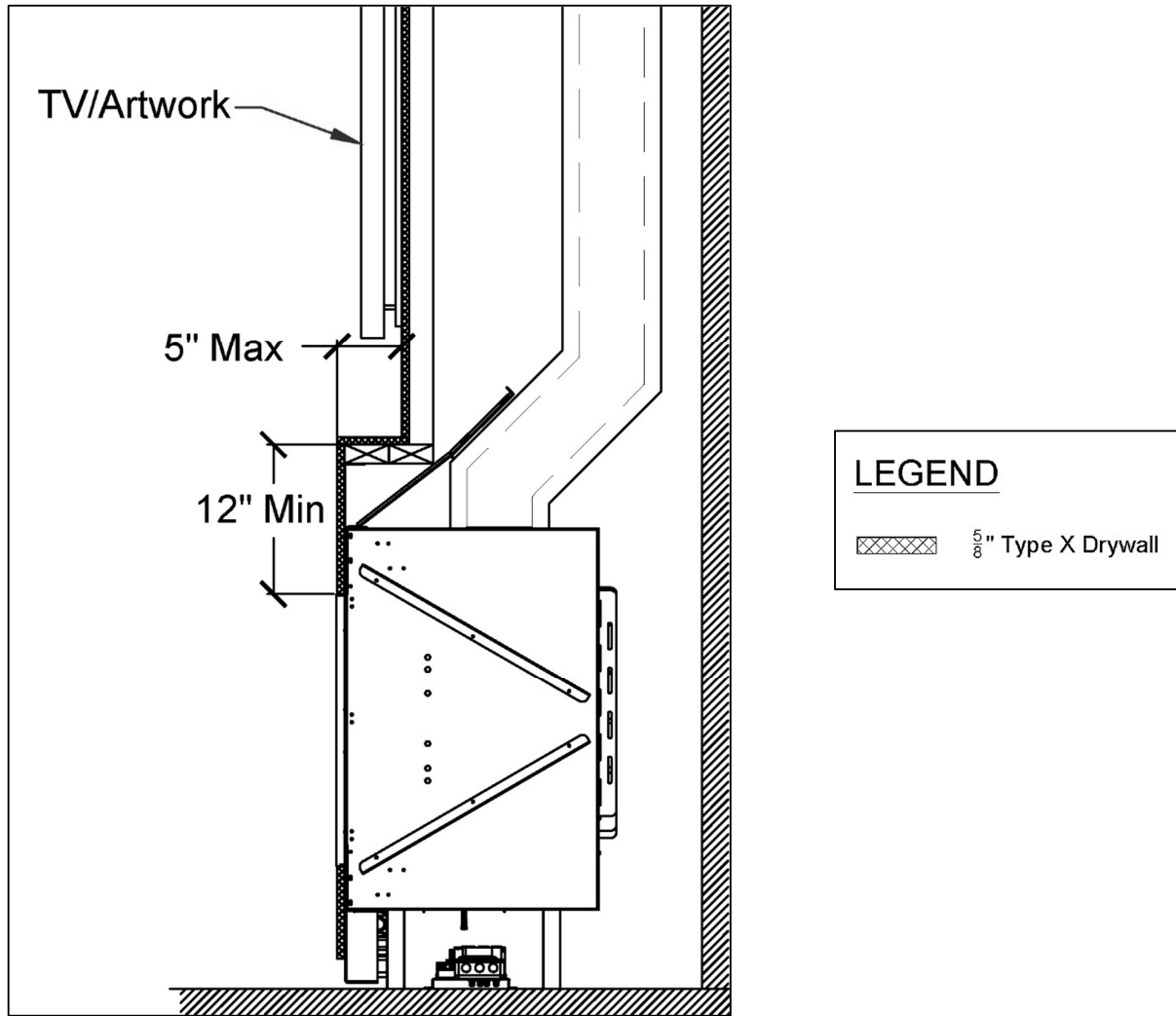
When the TV is mounted on a wall that is flush to the fireplace, the TV must be at least **4 inches** from the top of the fireplace glass viewing area. Ensure all clearances are maintained. See diagram below for details.



Recessed TV/Artwork

When the TV is mounted on a wall that recesses over fireplace, the TV must be at least **12 inches** from the top of the fireplace glass viewing area.

At 12 inches above the fireplace viewing area, maximum possible recess is 5 inches. A deeper recess will interfere with required clearances to venting. When higher than 12 inches above the fireplace viewing area, the maximum possible recess depth may be larger if venting is offset as shown in diagram below.



! NOTE: Vent clearances must be maintained. See "Clearances" section on page 33 for details.

Access Area Requirements

Access Area Recommendations for 70-3 Burner

An access panel for 60/60H fireplaces with the Driftwood 70-3 burner is not required (see note below for exception), but it is **highly recommended**. It allows for access to the fireplace's gas and electrical components for servicing.

! NOTE: An access panel at the fireplace is **required** for fireplaces with a power vent to allow access to the power vent control box for servicing.

Access Panel Size and Location Recommendations:

- Size: as large as possible depending on application. Minimum is 10"x10".
- Located within 36 inches of the pilot to the side or back of the fireplace (see "Routing the Gas Line", page 38)

The size and location of the access panel may vary, but in all cases, it must allow the technician to comfortably access and service the fireplace's gas and electrical components. These components are attached to the pilot on a flexible gas line and can be moved within 36 inches of the pilot (located at the center front of the burner) to the side or back of the fireplace.

For ease of access, move the fireplace's gas and electrical components as close to the access panel as possible. **If there is any distance between the access panel and the gas and electrical components, the access panel size must be increased accordingly.** Prior to installation, fireplace dealers/installers should work with the owner, builder, project architects and/or interior designers to determine the best size and location of their access panel.

If an access panel cannot be incorporated, the alternative method of servicing the gas and electrical components is through the fireplace. This will increase service time and difficulty. An access panel is always preferred. Fireplace dealers/installers are advised to consult with their clients regarding the advantages and disadvantages of each service option.

! NOTE: If local code requires an access panel, defer to local code requirements.

→ Access Area Requirements for 100-3 Burner

For 60H fireplaces with the Driftwood 100-3 burner, an access panel, or some other form of clear access, is **required** at each of the following two locations for servicing purposes:

- Power Vent Control Box
- Power Vent Fan Box

Prior to installation, fireplace dealers/installers should work with the owner, builder, project architects and/or interior designers to determine the best size and location of their access panel depending on project design needs.

Power Vent Control Box Access Area Location

The Power Vent Control Box is connected to the rest of the fireplace's gas and electrical components at the fireplace. These components are movable and can be located within **36 inches of the pilot** to the side or back of the fireplace (see "Routing the Gas Line" section on page 38).

For double glass models, see "Protective Cover for Double Glass Fans" section below.

Size

Minimum recommended access area/panel size is **12 inches x 12 inches**. If there is any distance between the access area and the power vent control box, the access panel size must be increased accordingly. Access area size and location may also need to increase depending on the needs of the project and design around the fireplace. In all cases, the access panel must allow a technician to comfortably access and service the fireplace's gas and electrical components.

Power Vent Fan Box Access Area

Location

The access area for the power vent fan box must allow for easy access to the **service door** on the power vent fan box.

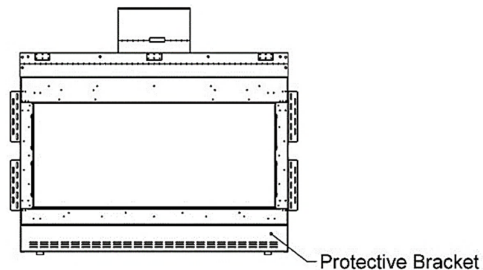
Size

Minimum recommended access area/panel size is **18 inches x 18 inches**. If there is any distance between the access area and the power vent fan box, the access panel size must be increased accordingly. Access area size and location may also need to increase depending on the needs of the project and design around the fireplace. In all cases, the access panel must allow a technician to comfortably access and service the fireplace's gas and electrical components.

Protective Cover for Double Glass Fans

Fireplaces with the double glass heat barrier comes equipped with a bottom cover to protect the fans from damage. This protective cover blocks service access to gas and electrical components. The protective cover is installed under the front and sides of the fireplace. The cover is removeable. If the cover is not removed, location of accessibility varies per model.

If the cover is not removed, gas and electrical components are accessible in the following locations on each model (as shown in the table below).



Double Glass Model	Access Location			
	Right	Left	Back	Front
Front	✓	✓	✓	
Left Side (LS)	✓		✓	
Right Side (RS)		✓	✓	
Three Side (TS)			✓	

NOTE: Access location is referenced from a front elevation viewpoint.

Chase Area Minimum

To ensure the convective heat within the chase passively moves to the heat release at an optimal rate, all parts of the interior of the chase must at least the same size as the fireplace heat release (see "Heat Release" section on page 16 to determine your model's required heat release size) at size at any given point. To determine if your chase meets this requirement, use the following equation at the narrowest part of the chase.

$$\text{Chase Area} = (\text{Chase Length} \times \text{Chase Depth}) - (\text{Area of the Pipe})$$

Area of the Pipe:

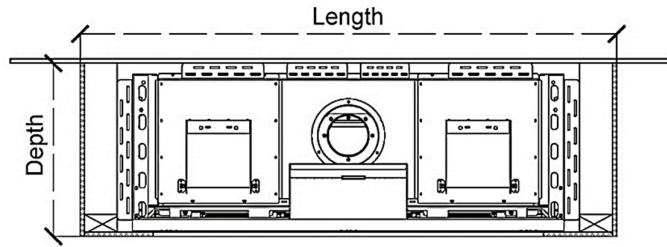
5"x8" venting = 50.27 in²

3"x5" venting = 19.63 in²



NOTE:

- Passive Vent = 5"x8" pipe
- Ortal Power Vent = 3"x5" pipe
- Energex Power Vent = 5"x8" pipe



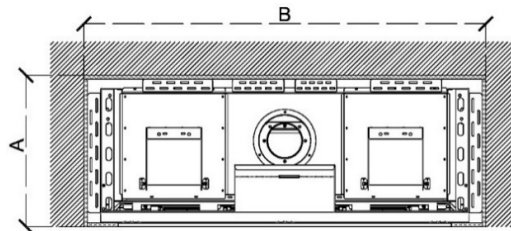
Fireplace Chase (Top View)

If the heat release is split into 25/75 portions due to an oversized ledge, the chase only needs to be the size of 75% of the heat release because 25% of the heat is already being released at the ledge (see "Recessed Ledge Detail" section for details).

Recessed Ledge Detail

A ledge over the top of a fireplace that is less than 24 inches from the top of the fireplace viewing area must maintain a minimum of 12 inches from the top of the viewing area to the top of the framing. Entire structure must be non-combustible (framing and finish).

Ledge Size: $A \times B \leq 410 \text{ sq. in.}$



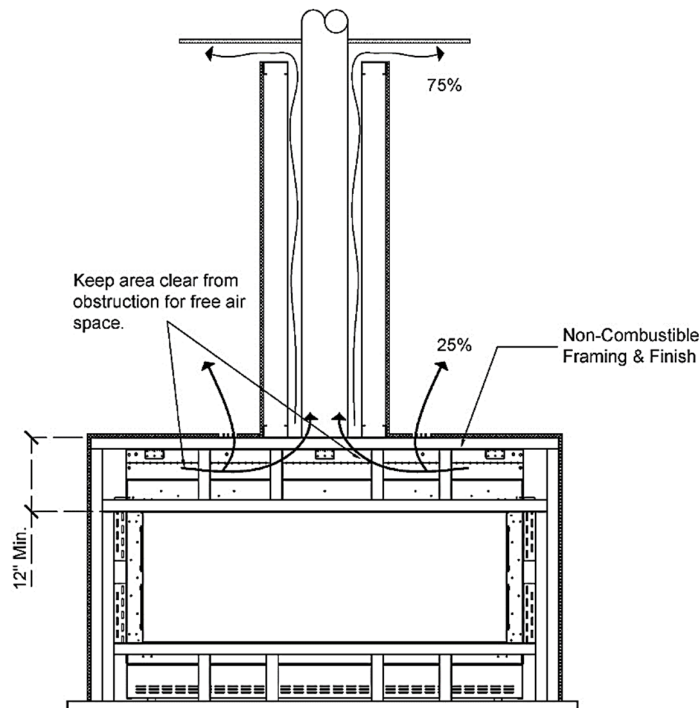
A = ledge depth, B = ledge width (Top View)

Oversized Ledge

If ledge surface area exceeds the values shown in the chart above, the heat release must be divided between the ledge and the chase ceiling: 25% at the ledge and 75% at the chase ceiling.



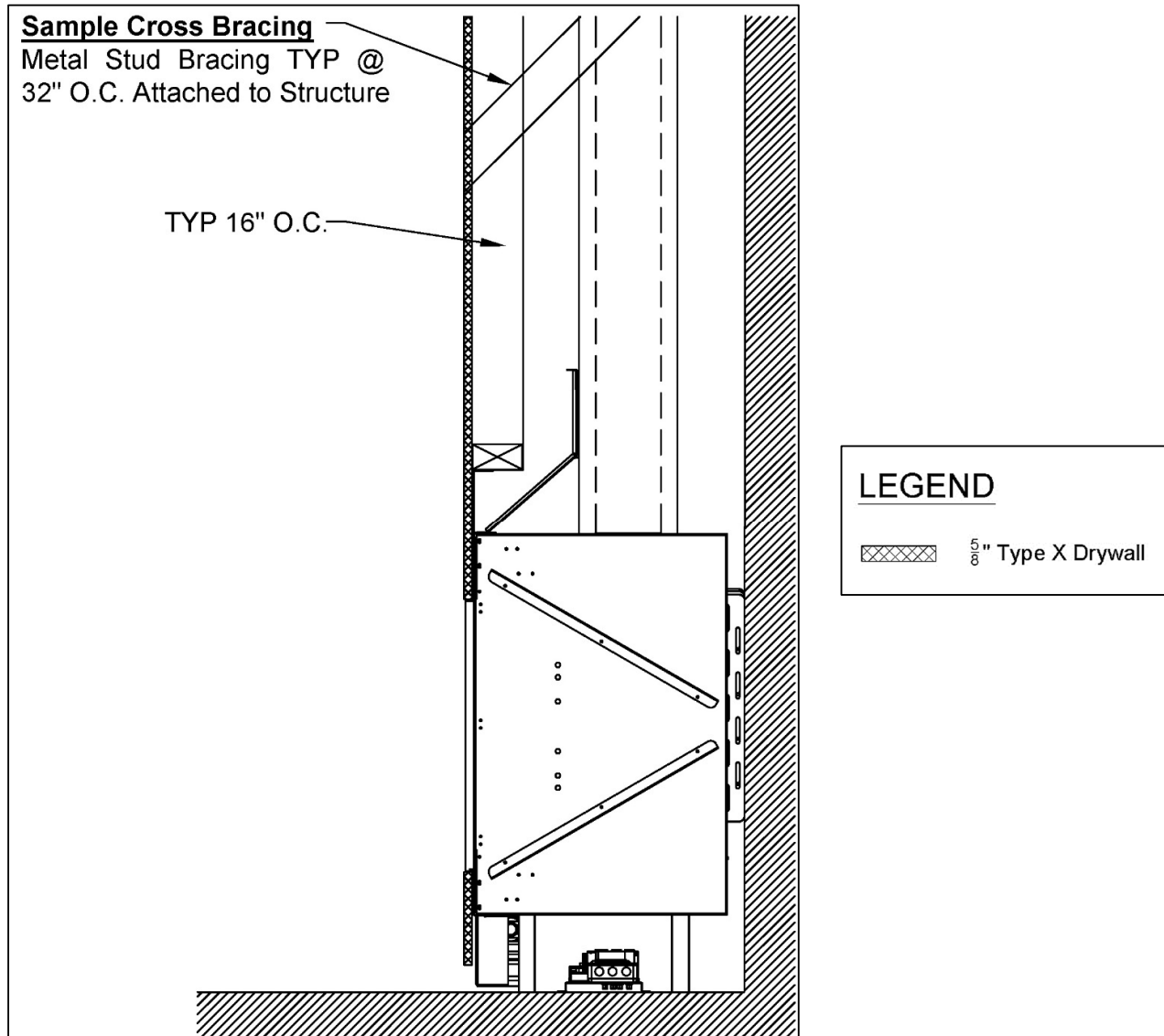
NOTE: Chase area minimum requirements must be met throughout the entire fireplace chase. See "Chase Area Minimum" section above for details.



Structural Weight Support

The fireplace must not carry any structural weight. The framing must be supported by another surface. Consult with the project structural engineer and refer to your local building codes for proper wall support.

The following drawing shows a recommended approach to this type of installation. Please note that these drawings are not to scale. All fireplace drawings with correct dimensions are available on the Ortol website.



Step-by-Step Chase Construction

The following checklist is a simplified overview of typical chase construction for a 60 series fireplace installation. This list is not exhaustive and does not supplement thorough review of the installation manual.

Step 1

BUILD BACK AND SIDE WALLS

- ☑ Frame the back and side walls according to framing requirements.
- ☑ Build the platform (if necessary) to the desired height and install inside fireplace chase.
 - Platform must be stable and able to bear the full weight of the fireplace. Platform can be constructed out of wood, concrete, metal, or any other solid materials. Material is not required to be non-combustible.

Step 2

INSTALL FIREPLACE AND VENTING, RUN GAS AND ELECTRICAL

- ☑ Install the fireplace and venting. This must be completed by an authorized Ortal dealer (unless otherwise authorized by Ortal with written approval).
- ☑ Move the gas valve and receiver unit to the designated access panel location. If the fireplace will not have an access panel, keep gas valve and receiver unit directly underneath the fireplace.
- ☑ Run gas and electric to the gas valve and receiver unit location.

Step 3

BUILD FRONT WALL

- ☑ Install front chase wall:
 - Build front wall according to framing requirements.
 - Stand up the front wall and move into place.
 - Secure front wall to the rest of the chase structure.
- ☑ Cover the exterior of each wall (sides, front, and back, as applicable to your design) with $\frac{5}{8}$ " Type X Drywall (or equivalent) and seal gaps with a non-combustible fire sealant.

 **NOTE:** $\frac{5}{8}$ " Type X Drywall (or equivalent) is not required on the exterior portion of an insulated outside-facing wall.

- ☑ Check to make sure constructed chase meets the requirements for heat release (for all models) and air intake (for double glass models).

Step 4

APPLY FINISHES

- ☑ Apply finishes and install accessories, following all clearances and building requirements.
- ☑ Ensure furniture and other combustible materials maintain a minimum 40 inches of clearance directly in front of the fireplace viewing area for both front and side viewing areas (as applicable).

Finishing

The following diagrams show various finish applications. **Diagrams apply to both combustible and non-combustible finish material.**



IMPORTANT NOTES:

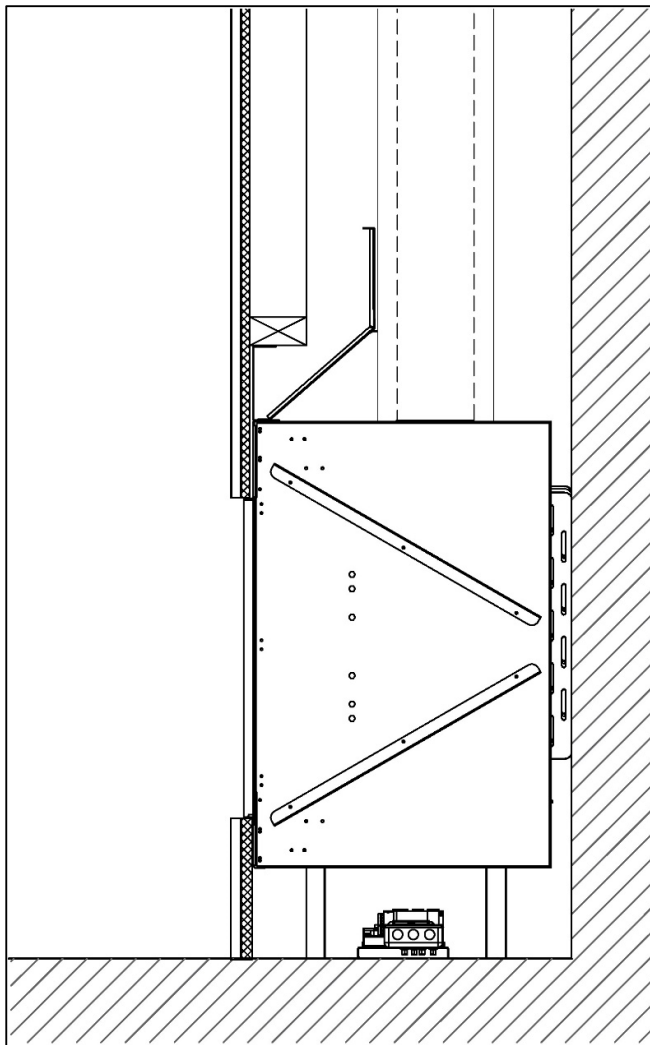
- All recessed installations must comply with applicable maximum overhang limit and side wall clearances. See “Maximum Overhang Depth” and “Clearance to a Side Wall” sections on page 15 for details.
- No material is permitted to extend past the metal lip surrounding the fireplace viewing area. This area must be unobstructed to allow the heat barrier and inside glass panel to be removable.
- MANUFACTURED STONE: A minimum 2-inch recess is suggested. Consult stone manufacturer for clearance requirements.
- $\frac{5}{8}$ " DensGlass® Fireguard® Sheathing is an approved $\frac{5}{8}$ " Type X Drywall equivalent. This may be necessary for use with heavier finishes.




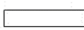
WARNING: Wood finish or floor/hearth extension may dry out, crack, warp or become discolored over time. Consult with floor manufacturer for required clearances to a heat source.

Flush Installation

Diagram applies to both combustible and non-combustible finish material.

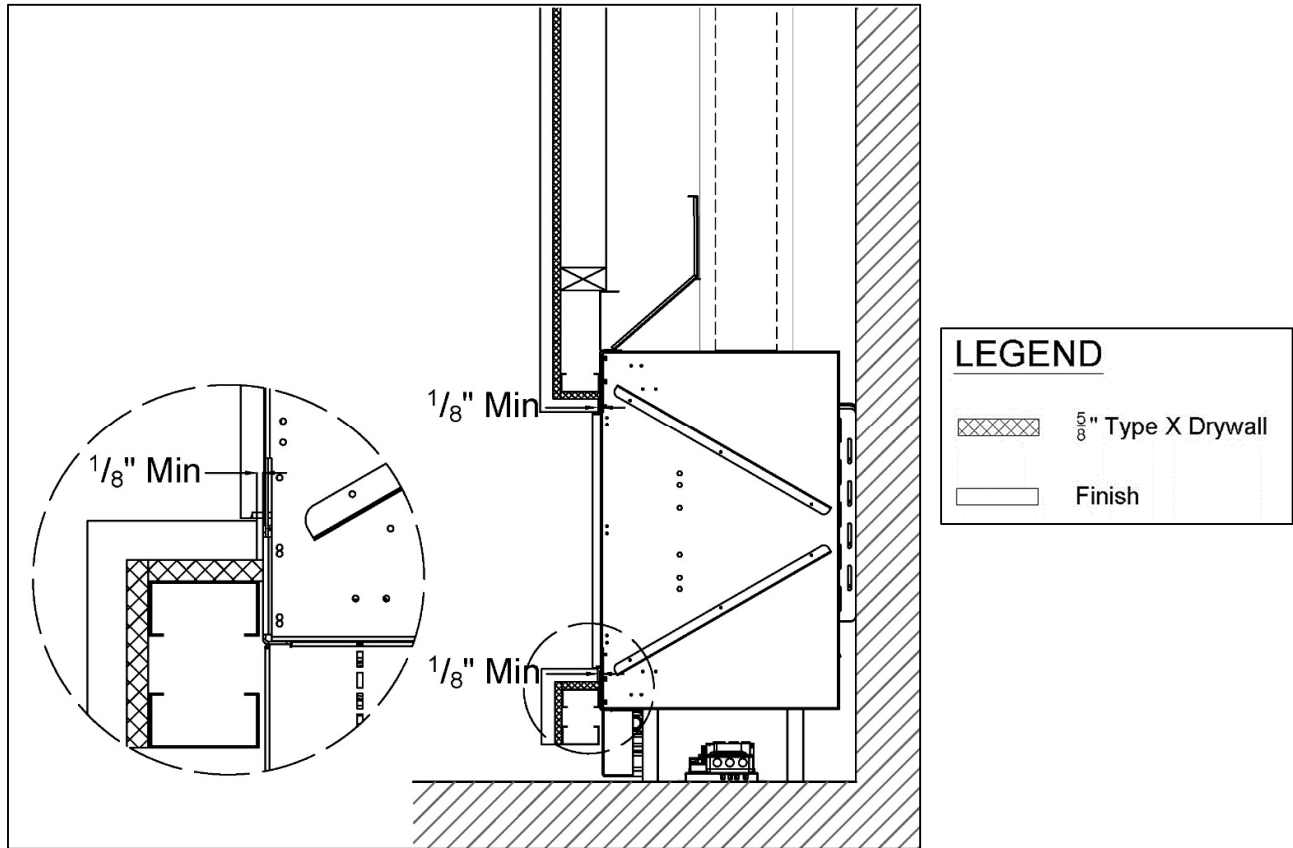


LEGEND

- | | |
|---|--------------------------------|
|  | $\frac{5}{8}$ " Type X Drywall |
|  | Finish |

Recessed Installation

Diagram applies to both combustible and non-combustible finish material. The finish must maintain at least a $\frac{1}{8}$ " clearance to the fireplace to both the top and bottom recesses.



Venting

General Venting Requirements

The fireplace operates using a direct vent system and requires co-axial direct vent pipe. The fireplace must be properly connected to an approved vent system. Venting is not provided with the fireplace and must be sourced from one of the approved vent manufacturers mentioned in the table below. Proper installation, use, and maintenance of venting is determined by and can be acquired from the vent manufacturer.

→ The Wilderness Driftwood 100-3 Firelog Burner (recommended choice for the Wilderness 60H series) is longer than the 70-3, and it requires the fireplace to be power-vented using an Ortal Power Vent. For more information on the Ortal Power Vent System, such as installation, product dimensions, and technical data, refer to the Ortal Power Vent manual. Do not use vent configuration information in the Ortal Power Vent manual for the Wilderness 60H series fireplaces. Use the information in this manual for venting. See “Venting” section on page 29 for details.

Vent Requirements			
Fireplace Model	Direct Vent Type	Vent Size	Approved Vent Manufacturers
Standard → Wilderness 60 Front → Wilderness 60 RS → Wilderness 60 LS → Wilderness 60 TS Wilderness 60H Front Wilderness 60H RS Wilderness 60H LS Wilderness 60H TS	Passive Vent (standard)	5x8 co-axial direct vent pipe (5" interior, 8" exterior)	Olympia: Ventis DuraVent: Direct Vent Pro ICC: EXCELDirect BDM: Pro-Form Direct Vent System Selkirk: Direct-Temp System
	Energex RS Power Vent (optional)		
	*Ortal Power Vent (optional)	3x5 co-axial direct vent pipe (3" interior, 5" exterior)	DuraVent: CVS line
Optional for 60H Series (Recommended) Wilderness 60H Front Wilderness 60H RS Wilderness 60H LS Wilderness 60H TS	*Ortal Power Vent (standard)	3x5 co-axial direct vent pipe (3" interior, 5" exterior)	DuraVent: CVS line
	Energex RS Power Vent (optional)	5x8 co-axial direct vent pipe (5" interior, 8" exterior)	Olympia: Ventis DuraVent: Direct Vent Pro ICC: EXCELDirect BDM: Pro-Form Direct Vent System Selkirk: Direct-Temp System

***Power Vent:** a fan-assisted direct vent system that boosts airflow for vent configurations with too much constriction. Review “Vent Configurations” section on page 30 to determine if your fireplace needs a power vent.

! POWER VENT NOTE: While an Ortal Power Vent (using 3"x5" pipe) is the recommended choice, under the few circumstances where an Ortal Power Vent might not be the perfect fit, the Energex RS Power Vent (using 5"x8" pipe) can be substituted. For more information on the Energex RS Power Vent System, refer to the Ortal Energex RS Power Vent System manual.

! ENEREX POWER VENT NOTE: See Ortal's Energex RS Power Vent System manual for more details on power venting with an Energex power vent.

! TERMINATION CAP NOTE: Low Profile Termination Cap and Sconce Termination Cap can negatively impact flame appearance and are not recommended for use with the fireplace.

! WARNING: Do not combine vent components from different vent manufacturers. Please follow the manufacturer's instructions for vent system installation.

→ Vent Configurations

The following sections provide information for calculating vent configuration distances and elbows. For vent configurations that cannot conform to these guidelines, consider Ortal's Power Vent System, or contact Ortal for assistance. Power Vent information can be found in the Ortal Power Vent manual.

- **! IMPORTANT NOTE FOR DRIFTWOOD 100-3 BURNER:** A power vent is required for use with the Wilderness 60H series fireplaces with a Driftwood 100-3 burner for optimal operation. The venting information found in the "Venting" section of this manual (page 29) applies to the Driftwood 100-3 burner, even though it requires a power vent. Do not use the venting information in the power vent manual. For other information on the Ortal or Enerflex Power Vent Systems (such as clearances, installation, etc.), refer to the corresponding Ortal power vent manual.

Please consider the following guidelines when determining vent configuration:

Elbows

- **Maximum Elbows:** Up to four 90° elbows can be used in the vent configuration. Two 45° elbows = one 90° elbow.
 - **45° Vertical Offset Exception:** Two 45° elbows in the vertical plane with a diagonal run in between is equal to **0 elbows**. They are not counted with other elbows in the vent configuration. This offset exception is applicable immediately on the top of the fireplace and anywhere else within the vent configuration.
The diagonal run between the two 45° elbows must be included when calculating vertical and horizontal distances.
 - **45° Horizontal Offset:** Two 45° elbows that begin and end in the horizontal plane, with a diagonal run in between, is equal to **one 90° elbow**. Additionally, **3 feet** must be reduced from the total allowable horizontal run.
The diagonal run between the two 45° elbows must be included when calculating vertical and horizontal distances
- **Exceeding two 90° Elbows:** For more than two 90° elbows, the minimum total vertical rise is **6 feet**.
- **Flat 90° Elbows:** For every flat 90° elbow (a 90° elbow that stays in the horizontal plane), **6 feet** must be reduced from the total allowable horizontal run. Up to two flat elbows are allowed.
 - Example: If max allowable horizontal run is 24 feet and 1 flat elbow is added, max run is reduced to 18 feet.
- **3rd 90° Elbow in the Vertical Plane:** The 3rd elbow in the vertical plane reduces **3 feet** from total allowable horizontal run. Do not include flat elbows when determining which 90° elbow in your configuration is 3rd in the vertical plane.
 - **! Exception:** If the 3rd 90° elbow in the vertical plane turns the vent direction from horizontal to vertical, the total allowable horizontal run does not require a 3-foot reduction.

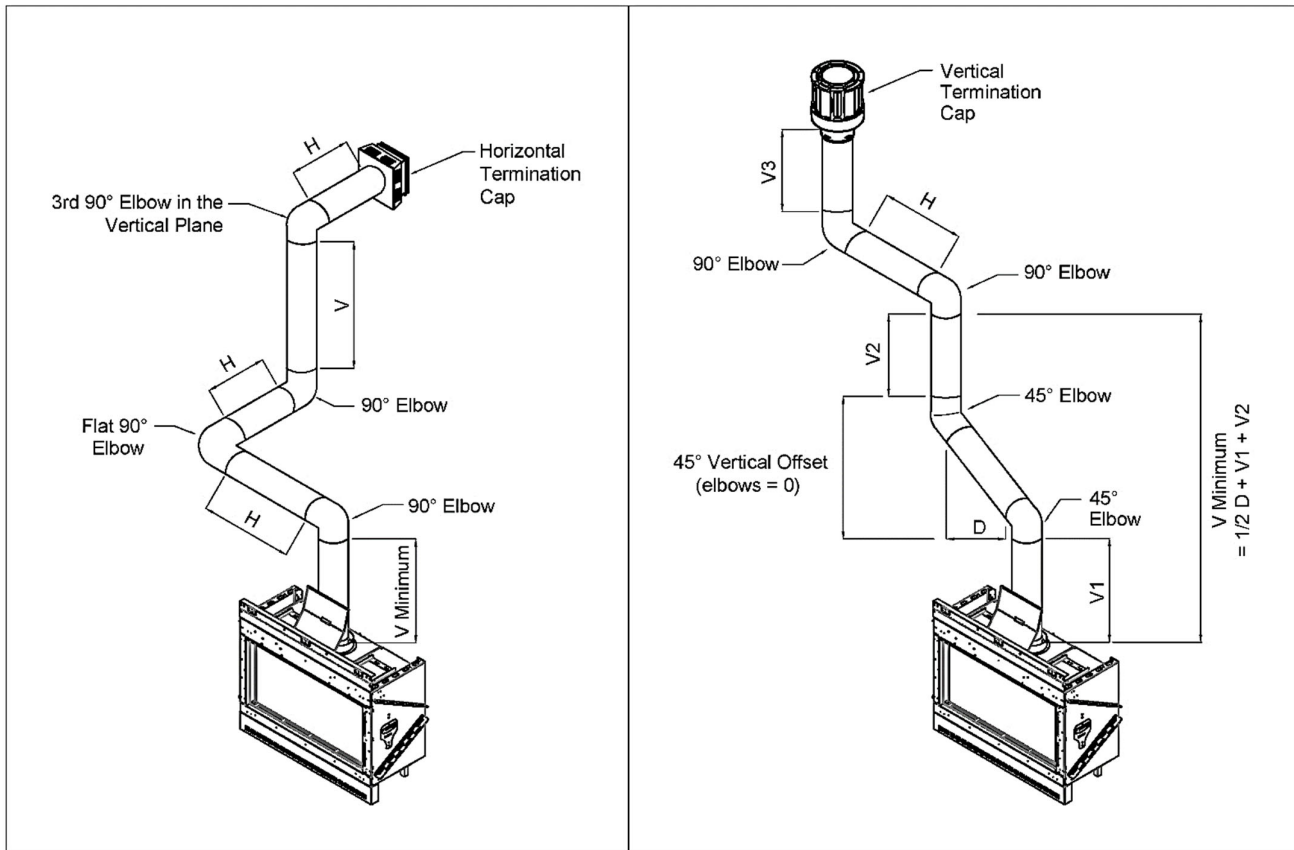
Diagonal Runs

- **Calculating Diagonal Runs (D):** Diagonal (45°) vent runs have an equal combination of vertical and horizontal aspects. To include diagonal portions of your desired vent configuration when determining overall vent limitations, divide the diagonal distance in half. Add this value to the total vertical rise and total horizontal run distances in your vent configuration. Include these values when utilizing the Vent Configuration Tables below.
 - Example: 6 feet diagonal run = 3 feet vertical rise & 3 feet horizontal run

Other

- **V Minimum:** This is the minimum amount of vertical rise required before the first *completely* horizontal (not diagonal) run.
- Any vent configuration that does not meet these parameters requires Ortal's review and approval.

- ! TERMINATION CAP NOTE:** Low Profile Termination Cap and Sconce Termination Cap can negatively impact flame appearance and are not recommended for use with the fireplace.



IMPORTANT NOTE: A power vent is required for use with the Wilderness 60H series fireplaces with a Driftwood 100-3 burner for optimal operation. For more information on the Ortal Power Vent System, refer to the Ortal Power Vent Manual. Do not use vent configuration information in the Ortal Power Vent manual for the Wilderness 60H series fireplaces. Use the information in this chart, "Allowable Maximum Horizontal Runs", immediately below.

→ Allowable Maximum Horizontal Runs			
Wilderness 60/60H Series (Driftwood 70-3 Burner)		Wilderness 60H Series + PV (Driftwood 100-3 Burner)	
V minimum = 3 feet		V minimum = 3 feet	
Vertical (V)	Max Horizontal (H)	Vertical (V)	Max Horizontal (H)
3 ft	7 ft	3 ft	19 ft
6 ft	12 ft	6 ft	19 ft
9 ft	18 ft	9 ft	19 ft
12 ft	21 ft	12 ft	19 ft
15 ft	21 ft	15 ft	19 ft
18 ft	18 ft	18 ft	19 ft
21 ft	18 ft	21 ft	19 ft
24 ft	18 ft	24 ft	19 ft
27 ft	12 ft	27 ft	19 ft
30 ft	12 ft	30 ft	19 ft
33 ft	12 ft	33 ft	19 ft
36 ft	6 ft	36 ft	10 ft
39 ft	0 ft	39 ft	0 ft
42 ft	0 ft	42 ft	0 ft
45 ft	0 ft	45 ft	0 ft

CHART NOTE: Do not include the space elbows take up when calculating your vertical and horizontal distances.

→ Vent Restrictor Sizing Guidelines

The restrictor sizing tables in this section determine the recommended restrictor for your vent configuration. These tables show Ortal's recommendations only. The Environment, gas type and other factors may affect the best restrictor choice.

How to use the "Recommended Restrictor" tables:

1. Find the total vertical rise in your vent configuration along the y-axis.
2. Find the horizontal run in your vent configuration along the x-axis.
3. Follow the desired rise and run values within the table until they meet. This value is the recommended restrictor size (in inches) for your vent configuration.

Legend:

X: Vent configuration is not allowed. Power vent required.

0: No restrictor required.

Numbers other than 0: Represents the recommended restrictor (by width).

Restrictor Sizes:

- 20mm (0.79")
- 30mm (1.18")
- 40mm (1.57")
- 50mm (1.97")
- 70mm (2.75")
- 85mm (3.35")

Wilderness 60 (standard height & H) Driftwood 70-3 Burner V Minimum = 3 Feet												
Total Vertical Vent Rise	45'	2.75"	X	X	X	X	X	X	X	X	X	X
	42'	2.75"	X	X	X	X	X	X	X	X	X	X
	39'	2.75"	X	X	X	X	X	X	X	X	X	X
	36'	2.75"	0	0	X	X	X	X	X	X	X	X
	33'	2.75"	1.97"	1.97"	1.97"	0	X	X	X	X	X	X
	30'	2.75"	1.97"	1.97"	1.97"	0	X	X	X	X	X	X
	27'	2.75"	1.97"	1.97"	1.97"	0	X	X	X	X	X	X
	24'	2.75"	2.75"	2.75"	1.97"	1.57"	0	0	X	X	X	X
	21'	2.75"	2.75"	1.97"	1.97"	1.57"	1.18"	0	X	X	X	X
	18'	1.97"	1.97"	1.97"	1.57"	1.57"	1.18"	0	X	X	X	X
	15'	1.97"	1.97"	1.97"	1.57"	1.57"	1.18"	0	0	X	X	X
	12'	1.97"	1.97"	1.57"	1.57"	1.18"	1.18"	0	0	X	X	X
	9'	1.57"	1.57"	1.18"	1.18"	0	0	0	X	X	X	X
6'	1.18"	0	0	0	0	X	X	X	X	X	X	
3'	0	0	0	X	X	X	X	X	X	X	X	
0'	X	X	X	X	X	X	X	X	X	X	X	
	0'	3'	6'	9'	12'	15'	18'	21'	24'	27'	30'	33'
Horizontal Vent Run												

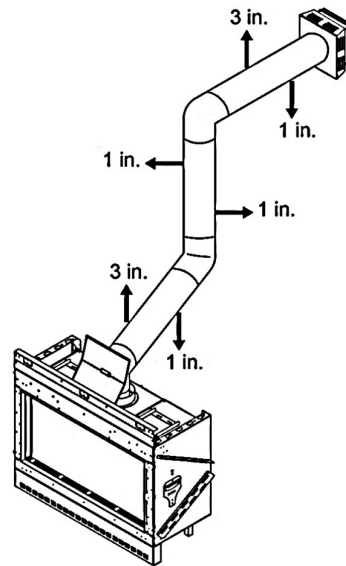
Wilderness 60H Driftwood 100-3 Burner + Power Vent V minimum = 3 feet													
Total Vertical Vent Rise	45'	2.75"	X	X	X	X	X	X	X	X	X	X	
	42'	2.75"	X	X	X	X	X	X	X	X	X	X	
	39'	2.75"	X	X	X	X	X	X	X	X	X	X	
	36'	2.75"	2.75"	1.18"	1.18"	0	0	0	X	X	X	X	
	33'	2.75"	2.75"	2.75"	1.18"	0	0	0	X	X	X	X	
	30'	2.75"	2.75"	2.75"	1.18"	0	0	0	X	X	X	X	
	27'	2.75"	2.75"	2.75"	1.97"	1.18"	0	0	X	X	X	X	
	24'	2.75"	2.75"	2.75"	1.97"	1.57"	1.18"	0	X	X	X	X	
	21'	2.75"	2.75"	1.97"	1.57"	1.57"	1.18"	0	X	X	X	X	
	18'	1.97"	1.97"	1.97"	1.57"	1.18"	1.18"	0	X	X	X	X	
	15'	1.97"	1.97"	1.57"	1.57"	1.18"	1.18"	0	X	X	X	X	
	12'	1.97"	1.97"	1.57"	1.18"	1.18"	1.18"	0	X	X	X	X	
	9'	1.57"	1.57"	1.18"	1.18"	1.18"	0	0	X	X	X	X	
6'	X	1.18"	1.18"	1.18"	0	0	0	X	X	X	X		
3'	X	X	0	0	0	0	0	X	X	X	X		
0'	X	X	X	X	X	X	X	X	X	X	X		
		0'	3'	6'	9'	12'	15'	18'	21'	24'	27'	30'	33'
Horizontal Vent Run													

Clearances

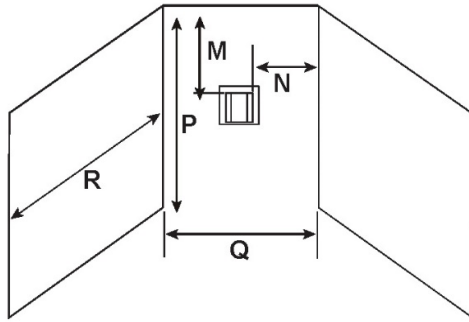
The following clearances apply to the vent system regardless of vent manufacturer.

Vent Clearances	
Sides: 1"	Applies to entire circumference when venting is oriented vertically. Clearance is to any material.
*Top: 3"	Applies to venting oriented horizontally or at an angle. Clearance is to any material.
Bottom: 1"	

***Exception:** Wall thimble top clearance to any material is 1".



! NOTE: A power vent is required for use with the Wilderness 60H series fireplaces with a Driftwood 100-3 burner for optimal operation. For more information on the Ortal Power Vent System, refer to the Ortal Power Vent Manual.



Covered Alcove: spaces open only on one side and with an overhang

Horizontal Termination Clearances Continued: Covered Alcove Application				
Location	Country	Minimum Clearance	Description	
COVERED ALCOVE APPLICATION	M	US & Canada	16 inches	Clearance under non-vinyl veranda, porch, deck, balcony, or overhang. NOTE: Termination in a covered alcove space is permitted with the dimensions specified. 1. There must be 3 feet minimum between termination caps. 2. All mechanical air intakes within 10 feet of a termination cap must be a minimum of 3 feet below the termination cap. 3. All gravity air intakes within 3 feet of a termination cap must be a minimum of 1 foot below the termination cap.
	N	US & Canada	6 inches	Non-vinyl sidewalls.
			12 inches	Vinyl sidewalls.
	P	US & Canada	8 feet	Alcove height.
	Q	US & Canada	See table below.	Alcove width (dependent on number of caps in the space).
R	US & Canada	See table below.	Alcove depth (dependent on number of caps in the space).	

# Vent Caps	Q_{MINIMUM}	R_{MAXIMUM}
1 vent cap	3 feet	$2 \times Q_{\text{ACTUAL}}$
2 vent caps	6 feet	$1 \times Q_{\text{ACTUAL}}$
3 vent caps	9 feet	$\frac{2}{3} \times Q_{\text{ACTUAL}}$
4 vent caps	12 feet	$\frac{1}{2} \times Q_{\text{ACTUAL}}$
$Q_{\text{MIN}} = \# \text{ vent caps} \times 3$		$R_{\text{MAX}} = (\frac{2}{\# \text{ vent caps}}) \times Q_{\text{ACTUAL}}$

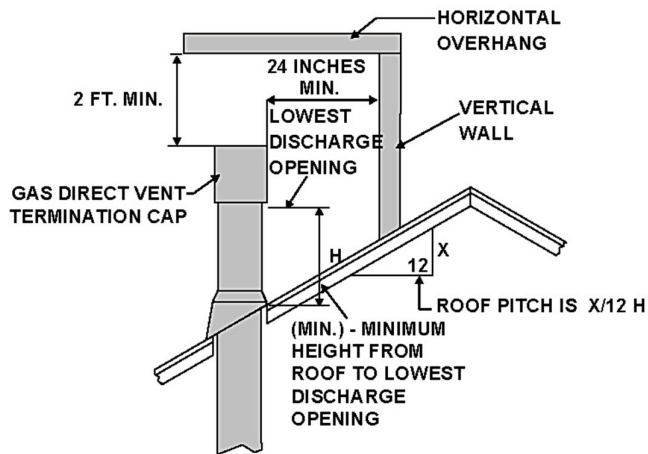
! HORIZONTAL TERMINATION CAP CLEARANCES - NOTES:

- If exterior walls are finished with vinyl siding, it is required that a vinyl protector kit be installed.
- Vent system termination is not permitted in screened porches.
- Vent system termination is permitted in porch areas with two or more sides open. You must follow all side walls, overhang and ground clearances as stated.
- Termination caps may be hot. Consider their proximity to doors or other traffic areas.

! TERMINATION CAP NOTE: A Sconce Termination Cap can negatively impact flame appearance and is not recommended for use with the fireplace.

Vertical Termination Clearance Diagram

Minimum Height From Roof To Lowest Discharge Opening

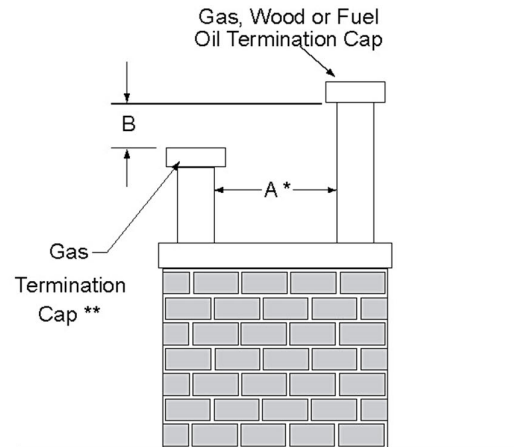


Roof Pitch	H (Min.) Ft.
Flat to 6/12.....	1.0*
Over 6/12 to 7/12.....	1.25*
Over 7/12 to 8/12.....	1.5*
Over 8/12 to 9/12.....	2.0*
Over 9/12 to 10/12.....	2.5*
Over 10/12 to 11/12.....	3.25
Over 11/12 to 12/12.....	4.0
Over 12/12 to 14/12.....	5.0
Over 14/12 to 16/12.....	6.0
Over 16/12 to 18/12.....	7.0
Over 18/12 to 20/12.....	7.5
Over 20/12 to 21/12.....	8.0

*H min. may vary depending on regional snowfall. Refer to local codes.

Staggered Termination Caps

A	B
6 in. (minimum) up to 24 in.	18 in. minimum
24 in. and over	0 in. minimum



* If using decorative cap cover(s), this distance may need to be increased. Refer to the installation instructions supplied with the decorative cap cover.

** In a staggered installation with both gas and wood or fuel oil terminations, the wood or fuel oil termination cap must be higher than the gas termination cap.

Notes:

1. Maintain a minimum of 2 feet clearance between edge of vertical termination and perpendicular wall.
2. If terminating near window, keep minimum of 2 feet clearance between window and vent termination.
3. All mechanical air intakes (such as an Enervex power vent) within 10 feet of a termination cap must be a minimum of 3 feet below the termination cap.
4. All gravity air intakes within 3 feet of a termination cap must be a minimum of 1 foot below the termination cap.

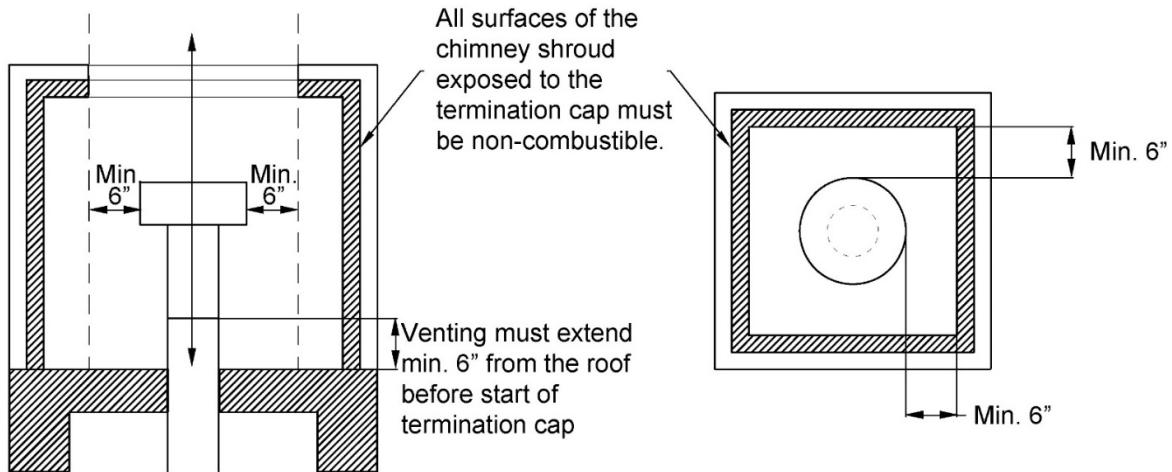
NOTE: This chart does not apply to a chimney shroud application. See the "Chimney Shroud" section on the next page for more information.

TERMINATION CAP NOTE: A Low Profile Termination Cap can negatively impact flame appearance and is not recommended for use with the fireplace.

Chimney Shroud

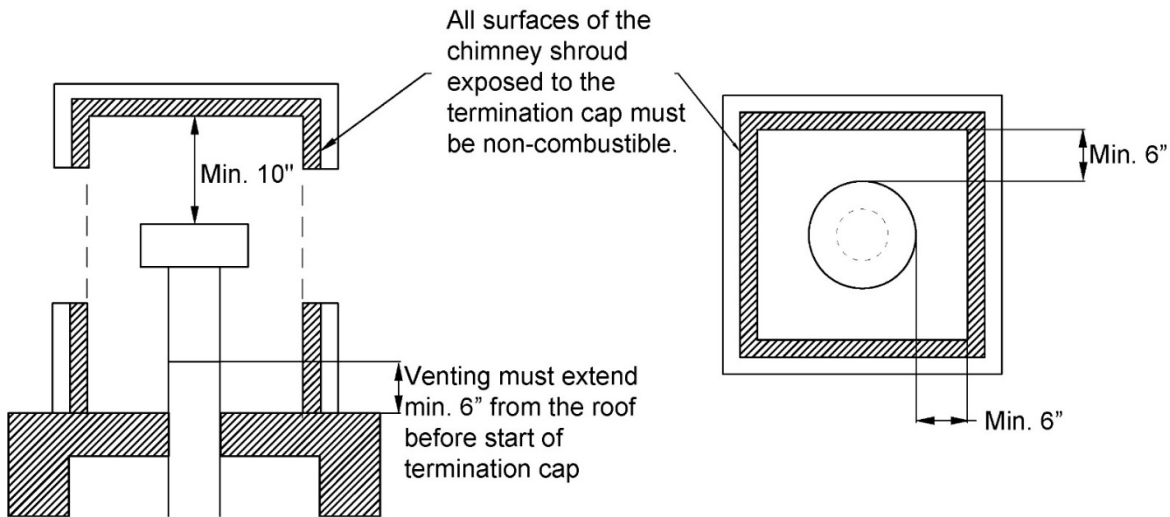
Top Open

Keep a minimum **6-inch** clearance around the diameter of the cap's side edge and extending above and below the cap.



Sides Open

Keep a minimum **6-inch** clearance around the diameter of the cap's side edge, and a minimum **10-inch** clearance above the top of the cap. For openings in the shroud, make sure to allow for enough air flow space to release the exhaust gases and allow the vent to operate properly.



Installation

Venting must be installed to meet the requirements as detailed in the following sections in conjunction with the vent system manufacturer's installation instructions. Venting must be supported by the structural surrounding and not by the fireplace. Each offset (elbow) must be strapped to reduce movement or possible disconnection.

The first section of venting must be secured to the fireplace starter collar with a minimum of 3 sheet metal screws no longer than 1/2". DO NOT use silicone to seal the sections. If sealing is required by the vent manufacturer or local code, use Mil-Pac sealant.

⚠ WARNING: Do not combine vent components from different vent manufacturers. Please follow the manufacturer's instructions for vent system installation.

Maintenance

Regular inspection of the vent system by a qualified service technician is recommended every six months. The following maintenance routing is recommended:

- Inspect for excessive condensation, e.g., water droplets forming in the inner lining, and subsequently dripping from the joints. This can cause corrosion in the system.
- Check for corrosion in areas exposed to the elements. Components with rust spots or holes must be immediately replaced.
- Ensure that there is no foreign material in the vents. Survey by removing the cap and shining a light down the vent.
- If possible, check all vent joints to make sure nothing has been disturbed or loosened.

Gas

The fireplaces are approved for use with natural gas (NG) or propane (LP) only. No other fuel types are permitted.

→ Gas Pressures

Fireplace Series	Firelog Burner	Gas Type	Inlet Pressure		Manifold Pressure	Heat Input (BTU/hr)		Orifice Size*
			Min	Max		Min	Max	
Standard → Wilderness 60 Front → Wilderness 60 RS → Wilderness 60 LS → Wilderness 60 TS Wilderness 60H Front Wilderness 60H RS Wilderness 60H LS Wilderness 60H TS	Driftwood 70-3 (3 standard logs)	Natural Gas	7.0	11.0	4.7	15,696	32,163	320-160-320 380
		Propane	11.0	13.0	4.7	21,400	31,400	90-60-90 180
Optional (Recommended) Wilderness 60H Front Wilderness 60H RS Wilderness 60H LS Wilderness 60H TS	Driftwood 100-3 (3 long logs)	Natural Gas	7.0	11.0	5.0	36,101	52,000	650-180-500 500
		Propane	11.0	13.0	6.6	30,690	48,000	180-60-120 260

*Wilderness Orifice Size, Top Row (left to right): Left log, center-left log, center log, center-right log, right log. Bottom Row: Bottom of burner.



NOTE: It can take up to 20 minutes for the flames to turn yellow.



NOTE: A power vent is required for use with the Wilderness 60H series fireplaces with a Driftwood 100-3 burner for optimal operation.

Routing the Gas Line

Correctly size and route the gas supply line from the supply regulator to the area where the access panel is located (or to the burner area if no access panel is available), as per the requirements outlined in the latest edition of the National Fuel Gas Code, NFPA 54 (USA) or CAN/CSA-B1491 (Canada).

The gas and electrical components are attached to the pilot on a flexible gas line and can be kept directly under the fireplace or, depending on the model, moved to the left, right, or back of the fireplace within 36 inches of the pilot (located at the center front of the burner). See images below for details.

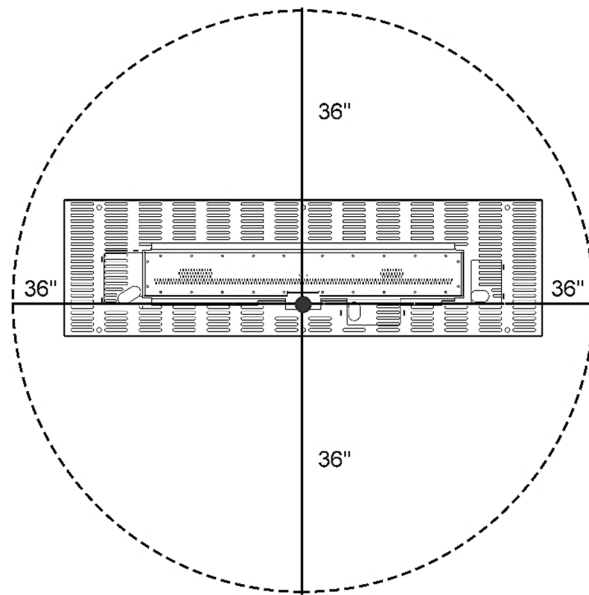
Gas line should be routed to the access panel area (see "Access Area Requirements" section on page 22 for details). If no access panel is planned, gas line should be routed to the most accessible area within the 36" radius.

A gas shut-off valve and a 12" gas flex connector are provided with every fireplace. The location of the gas shut-off valve is dependent on local codes and requirements. Check with your authority having jurisdiction for more information.



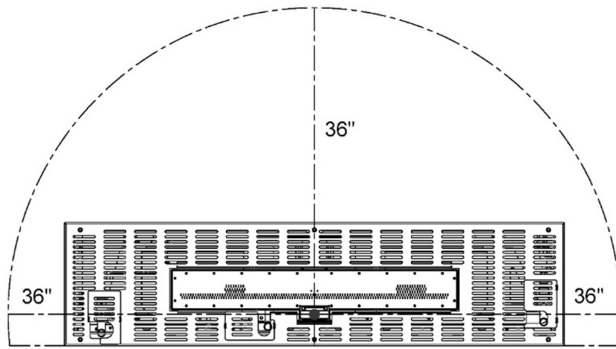
WARNING: The main gas valve must be installed to allow complete disconnection of the fireplace from the gas supply piping system for servicing purposes.

Screen Models

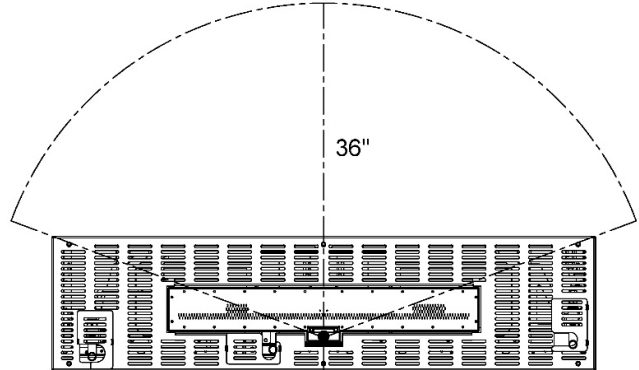


60 Series Fireplaces with Screen: Left, Right, Back, Front

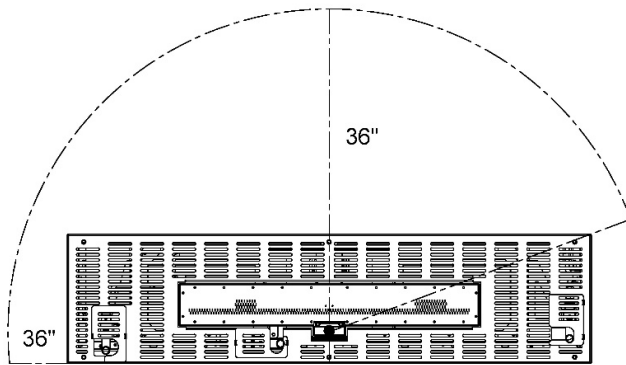
Double Glass Models



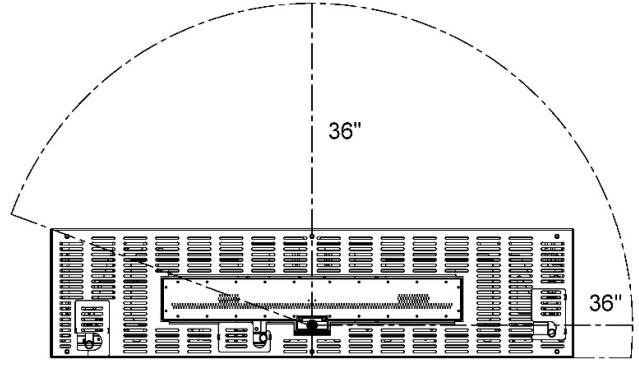
Front with Double Glass: Left, Right, Back



Three Sided with Double Glass: Back



Right Side (RS) with Double Glass: Left, Back



Left Side (LS) with Double Glass: Right, Back

→ Gas Conversion

For gas conversion (NG to LP or LP to NG) in the field, Firelogs for the desired gas type must have been ordered and on site before gas conversion can occur. Firelog installation and gas conversion must be performed only by technicians who have specific authorization by Ortal to change these components. The Driftwood Firelog Kit must be supplied by Ortal. Using parts from other manufacturers or having an unauthorized party performing the conversion will void your fireplace's warranty. Conversion instructions are supplied with the kit.

Driftwood 70-3 Firelog Set, Natural Gas (for Wilderness 60 standard height & 60H Series Fireplaces): **SKU: MLLBSLD**

Driftwood 70-3 Firelog Set, Propane (for Wilderness 60 standard height & 60H Series Fireplaces): **SKU: GCNLDW70-US**

→ **Driftwood 100-3 Firelog Set, Natural Gas** (for Wilderness 60H Series Fireplaces): **SKU: MLLBSLLD**

→ **Driftwood 100-3 Firelog Set, Propane** (for Wilderness 60H Series Fireplaces): **SKU: MLLBSLLDL**



NOTES:

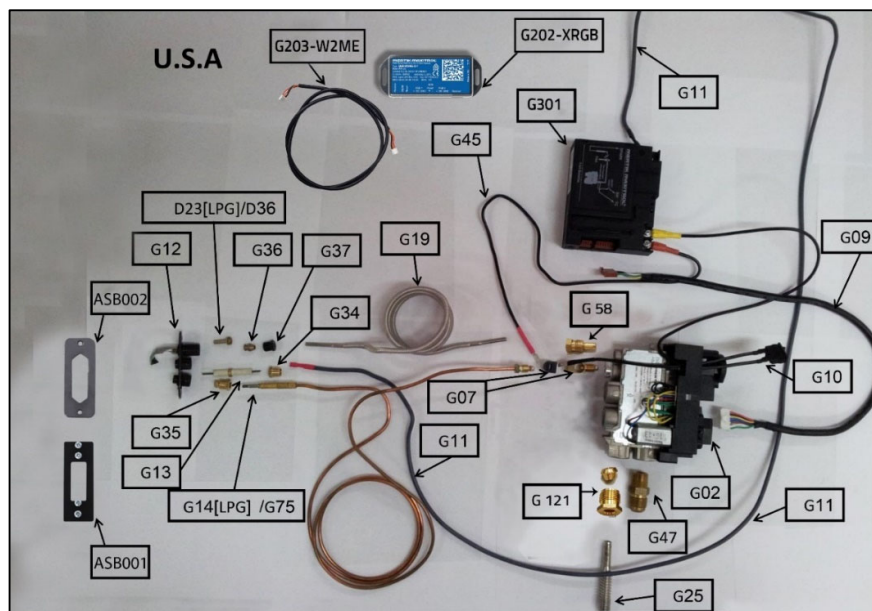
- Log sets for NG and LP have different SKUs. Please consult the price list to ensure you have the correct SKU.
- LP logs do not contain nickel strands inside the logs. NG logs do contain nickel strands.

High Altitude Requirements

For elevations above 2,000 feet, fireplace shall be re-rated 4% for each 1,000 feet above sea level.

Gas and Electrical Components

Assemblies and components are listed and described in the tables following the figure.



Part Number	Description
ASB001	Pilot Bracket
D23	Orifice LPG
D36	Orifice NG
G02	Mertik Gas Valve
G301	Symax Receiver
G202-XRGB	Symax Wi-Fi Box
G203-W2ME	Symax Wi-Fi Box Cable
G07	Thermocouple Block
G09	Wire Harness for Receiver and Gas Valve
G10	Switch w. cables 180/500 mm
G11	Spark Wire
G12	Pilot Base
G75	Thermocouple NG
G14	Thermocouple LPG

Part Number	Description
ASB002	Pilot Gasket
G13	Electrode Target Type
G121	Main Burner Gas Fitting
G25	Burner Gas Tube
G19	Pilot Gas Tube
G34	Spark Plug Connector
G35	Thermocouple Connector
G36	OLIVE D.4 Pilot gas tube compression ring valve
G37	Pilot gas tube fitting burner side
G38	Pilot Assembly Gasket
G45	Red Cable
G58	Connection fitting 4mm One-piece
G47	Fitting for main line inlet to gas valve GV60

The manufacturer of Ortal's gas and electrical components is Mertik Maxitrol. For information on these components, please visit the manufacturer's website: www.mertikmaxitrol.com

Electrical




WARNING: Disconnect the power supply before servicing any electrical components.

→ Electrical Requirements

A duplex receptacle with two outlets (not included) must be installed in the location where the gas and electrical components will be placed, which must be to the side or back of the fireplace within **36 inches** of the pilot (see diagram in “Routing the Gas Line” section on page 38). Electrical work should be performed by a qualified licensed electrician, per local code.

Electrical Outlet Requirements		
Outlet Type	Power Requirements	Location
Duplex Receptacle (with 2 outlets)	120V, 15 amp, 60Hz	Located near the access panel location (or according to local code)

→  **WILDERNESS 60H + 100-3 BURNER NOTE:** Power is supplied to the power vent fan from the power vent control box via the supplied 62-foot Power Cable. The power vent power cable and the fireplace AC Adapter will be plugged into this receptacle. The Power Vent System requires a continuous power supply and will not operate on battery power or during power failure.



 **NOTE:** Any device that functions using the same radio frequency as the handset will be affected when remote-controlled handset is in use.

Pairing the Remote and Receiver

To set up the remote-control device to operate the fireplace, follow the following guidelines to pair the remote and receiver unit on the same radio frequency.

1. Press and hold the receiver's reset button until you hear two beeps. The first beep is short, and the second beep is long. After the second beep, release the reset button.



2. Within the subsequent 20 seconds, press the following button depending on the mode of operation:
 - **10-Button Handset:** Press the  button. “CONN” and a running number from 1 to 8 will appear on the handset display confirming that the synchronization and data exchange are in process.
 - **Puck Handset:** Press and hold the  button approximately 4 seconds.
 - **Wall Switch:** Use the 10-button handset to synch with the receiver. Once the remote and receiver are paired, the wall switch will function normally.
 - **MyFire App:** Use the 10-button handset to synch with the receiver. Once the remote and receiver are paired, the App will function normally.
3. You will hear two short beeps confirming the connection.

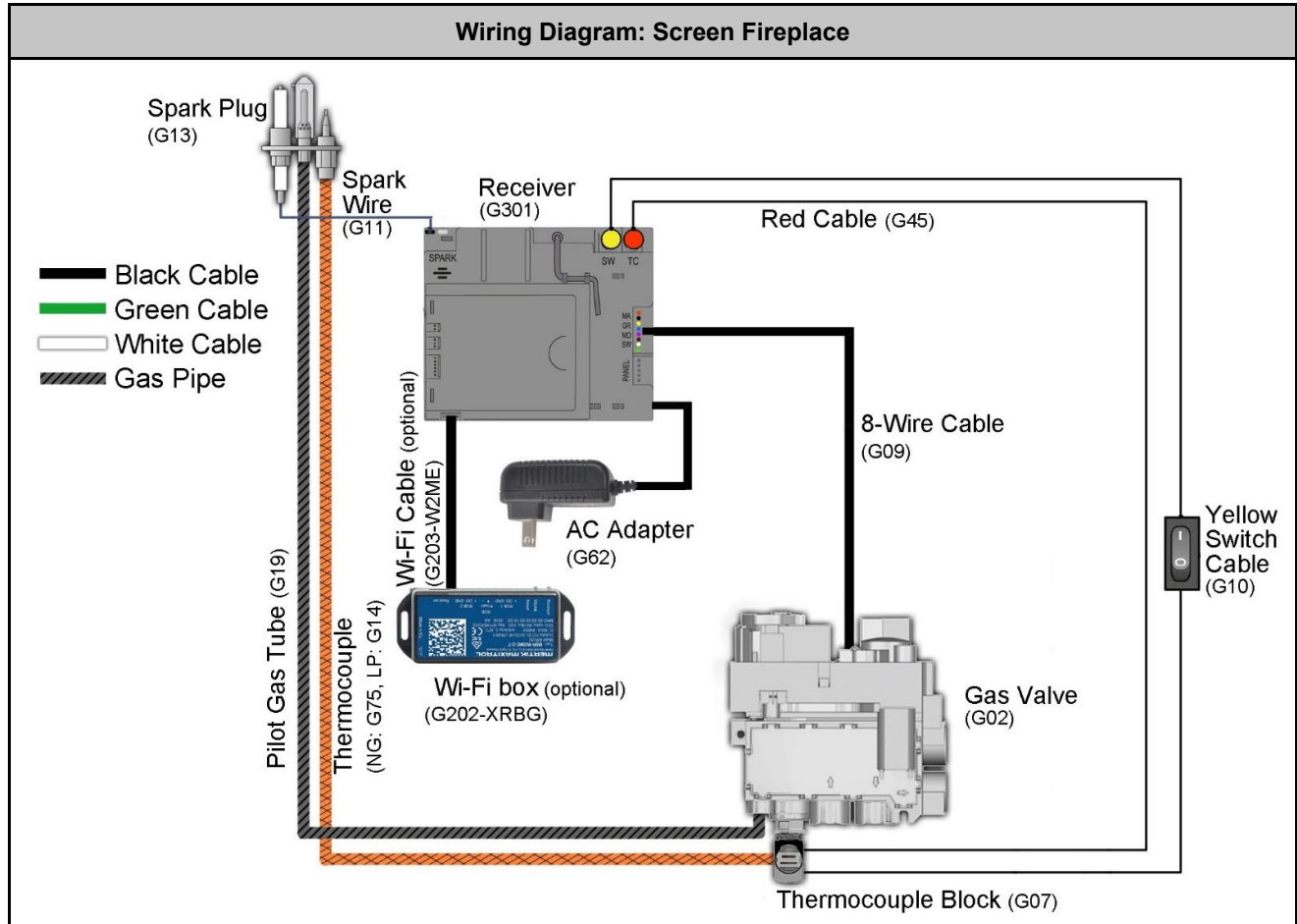
NOTES:

- If you hear one long beep, this indicates the connection has failed or the wiring is incorrect.
- The connection between remote and receiver only needs to be made once and is not required after changing the batteries in the remote.

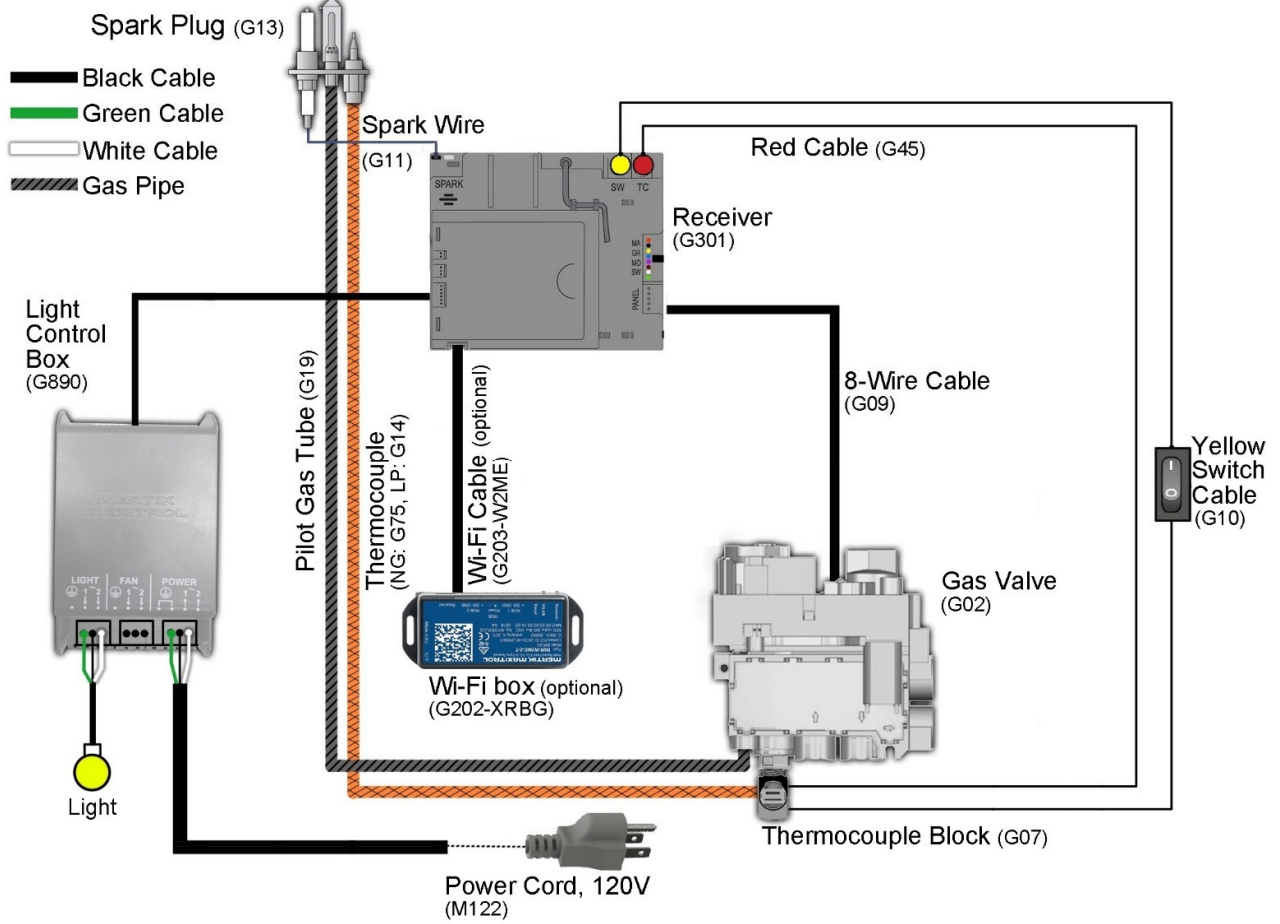
Wiring Diagrams

Wiring for Wilderness 60 Series

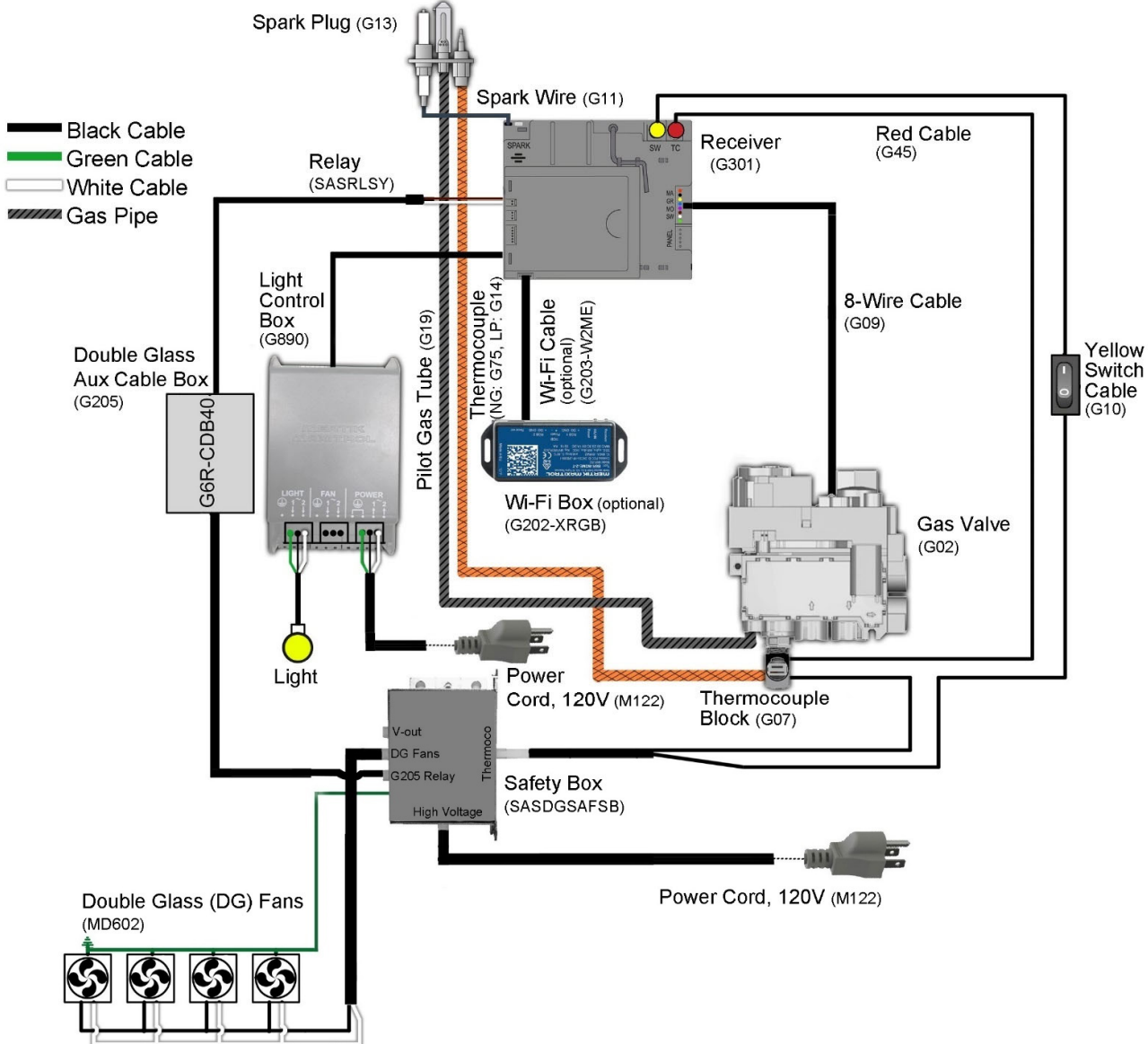
The following diagrams show the electrical wiring required for different feature combinations. For wiring diagrams with Ortal or Enervex power vent, refer to the applicable power vent manual. For wiring diagrams with CO shutoff kit, refer to CO Shutoff Kit spec sheet at www.ortalheat.com.



Wiring Diagram: Screen Fireplace with Interior Lighting

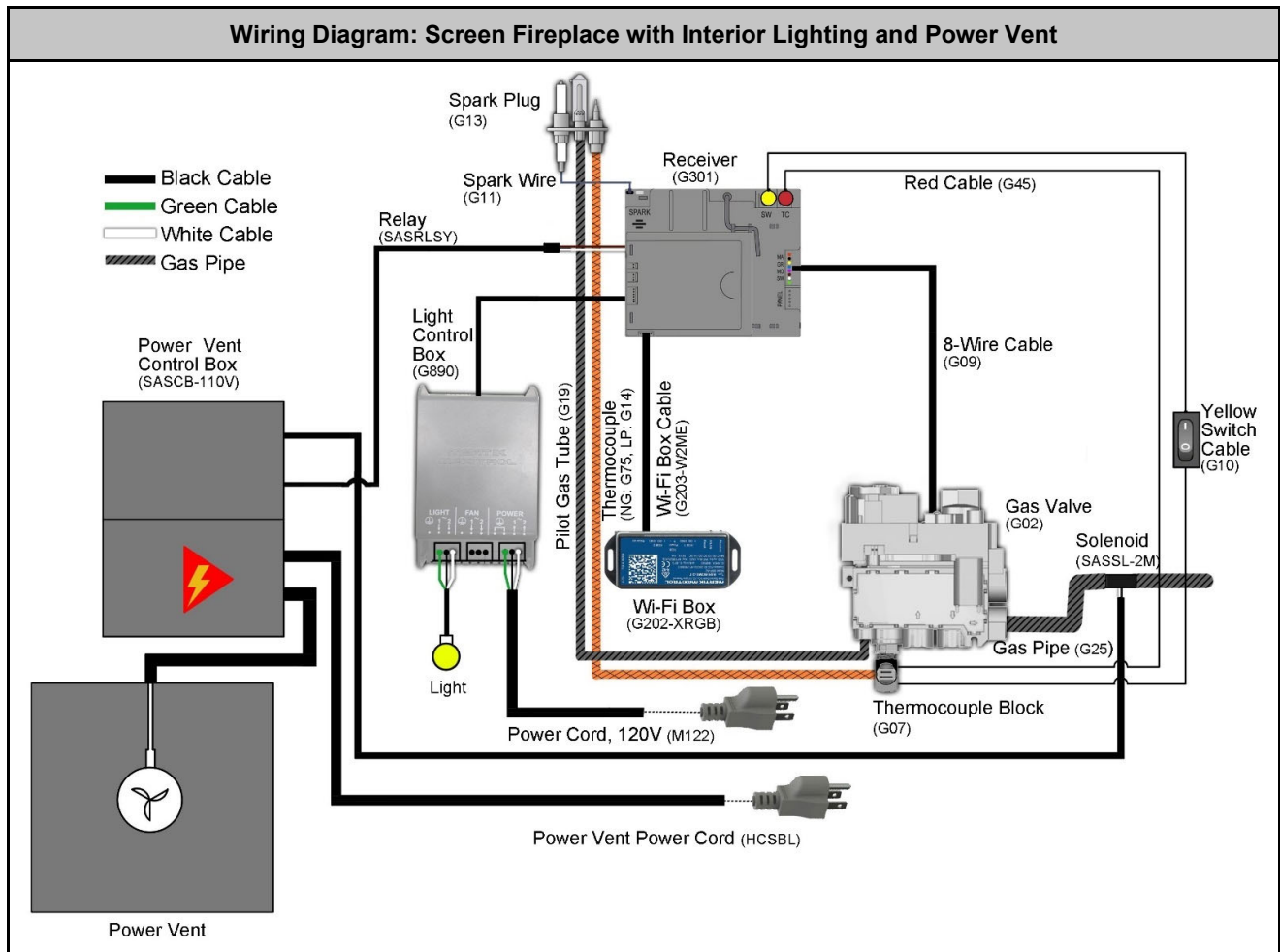


Wiring Diagram: Double Glass Fireplace with Interior Lighting

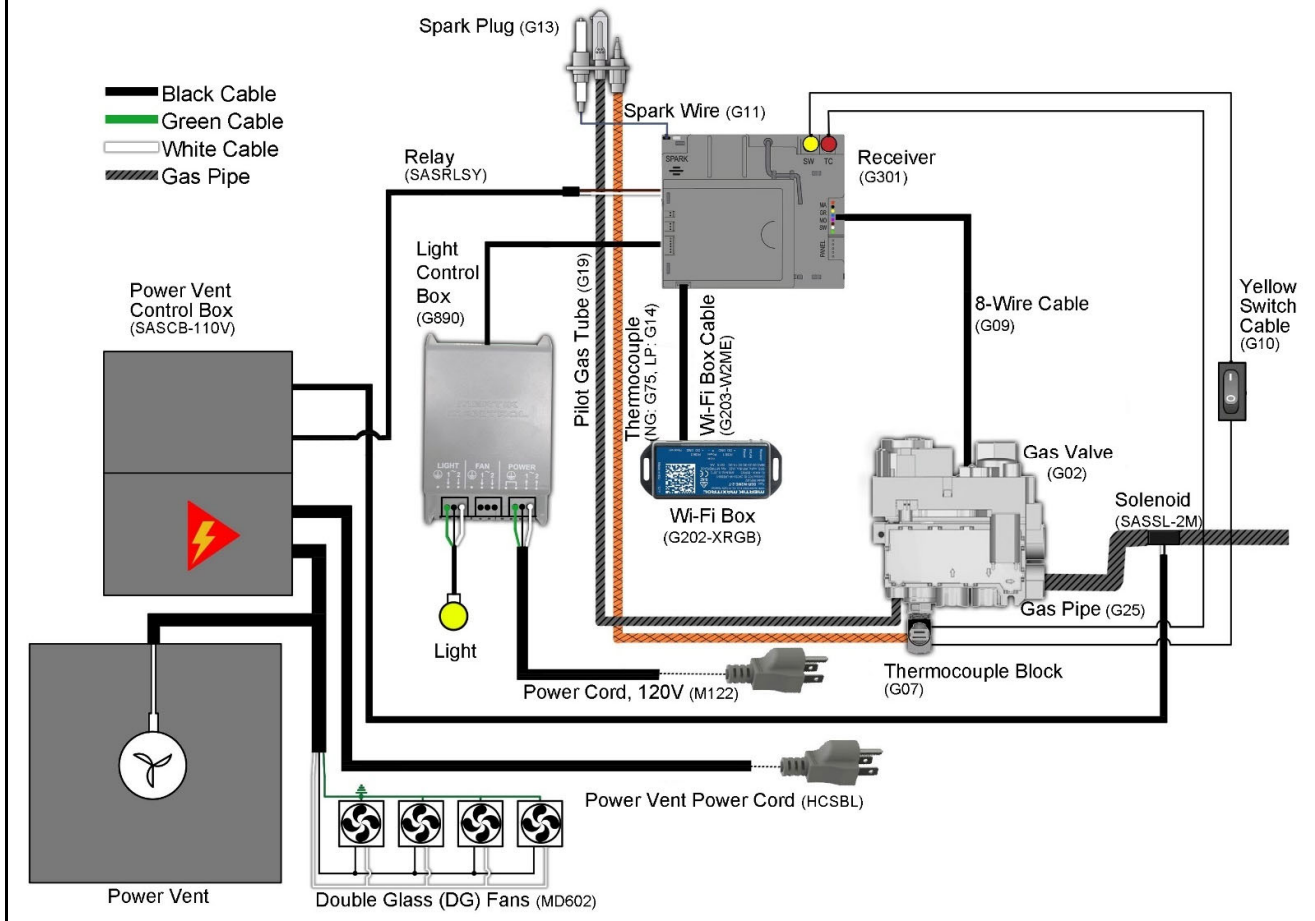


→ **Wiring for Wilderness 60H Series (100-3 Burner)**

The following diagrams show the electrical wiring required for different feature combinations. For wiring diagrams with Energex power vent, refer to the Ortal Energex RS Power Vent System manual. For wiring diagrams with CO shutoff kit, refer to CO Shutoff Kit spec sheet at www.ortalheat.com.



Wiring Diagram: Double Glass Fireplace with Interior Lighting and Power Vent



Home Automation Wiring Diagram

Use the following wiring diagram to connect fireplace control a hardwired home automation system.

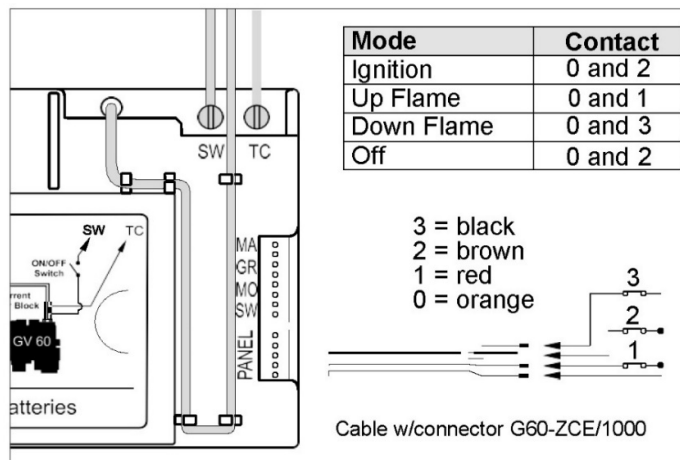
Contacts Options/Operation

Ignition: Close contacts 0 (orange) and 2 (brown) simultaneously for 1 second. Fireplace automatically goes to high after ignition.

Up Flame: Close contacts 0 (orange) and 1 (red) simultaneously. The contact needs to be closed for 12 seconds to turn the motor from end-stop to end-stop.

Down Flame: Close contacts 0 (orange) and 3 (black) simultaneously. The contact needs to be closed for 12 seconds to turn the motor from end-stop to end-stop.

Off: Close contacts 0 (orange) and 3 (black) simultaneously for 1 second.



Wiring Diagram and Operation Sequence

Mode of Operation: The external source provides ON and OFF operation only. The Timer/Thermostat handset provides all other functions.

NOTICE: The Timer/Thermostat handset in Thermostatic Model controls the room temperature even if the fire is turned on by the external source. If the handset is in Manual Mode, the fire will go to High Fire in the next cycle of external operation.

NOTE: This wiring diagram is for hardwired home automation systems only and will not connect the fireplace to a wireless system.

Driftwood Firelog Set

Wilderness Driftwood Firelogs are designed for use in the Wilderness series fireplaces only. No other interior design media options are permitted for Wilderness series fireplaces. The following Ortol firelog sets are permitted for use in the Wilderness 60 series fireplaces.

Driftwood 70-3 Firelog Set, Natural Gas (for Wilderness 60 standard height & 60H Series Fireplaces): **SKU: MLLBSLD**

Driftwood 70-3 Firelog Set, Propane (for Wilderness 60 standard height & 60H Series Fireplaces): **SKU: GCNLDW70-US**

→ **Driftwood 100-3 Firelog Set, Natural Gas** (for Wilderness 60H Series Fireplaces): **SKU: MLLBSLLD**

→ **Driftwood 100-3 Firelog Set, Propane** (for Wilderness 60H Series Fireplaces): **SKU: MLLBSLLDL**

DRIFTWOOD FIRELOG SETS ARE DIFFERENT FOR NG AND LP:

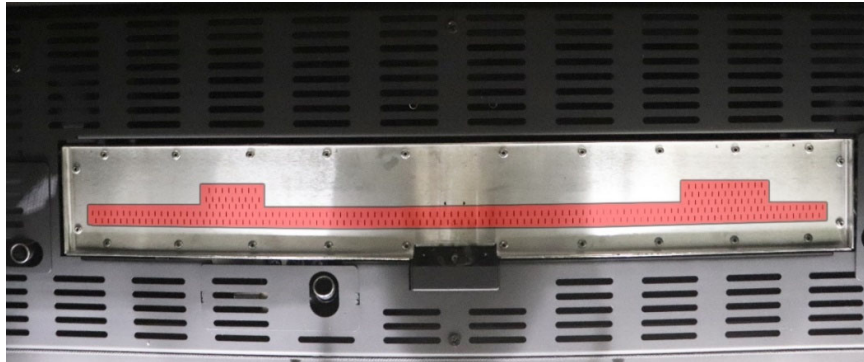
- Firelog sets for NG and LP have different SKUs. Please ensure you have correct SKU for desired gas type prior to ordering.
- LP logs do not contain nickel strands inside the logs. NG logs do contain nickel strands.

NOTE: It can take up to 20 minutes for the flames to turn yellow.

WARNING: The fireplace is not designed to burn real wood. Any attempt to do so could cause irreparable damage to the fireplace and may result in property damage, personal injury and/or loss of life.

Firelog Installation Warnings

1. **Firelogs are fragile.** Handle them gently to prevent damage to their paint or to the fireplace.
2. **Arrange firelogs as shown the section below.** Do not arrange them in any other way. If firelogs are not installed per installation instructions, flame impingement and improper combustion may occur and result in soot and/or excessive production of carbon monoxide (CO). Carbon monoxide is a toxic, colorless, and odorless gas.
3. **Do not install the firelog media until** fireplace installation is complete, the gas line is connected and tested for leaks, and initial burner operation has been inspected and approved.
4. **Keep 1 inch around the pilot (behind pilot hood) completely clear of any media or debris.** Contact between the nickel strands and the spark plug cable may lead to failure operating the fireplace.
5. **Do not cover over the main burner holes** (marked in the image below) unless otherwise stated in this manual. Blocking the holes can cause a gas release that could cause hazardous pressure build-up in the fireplace.

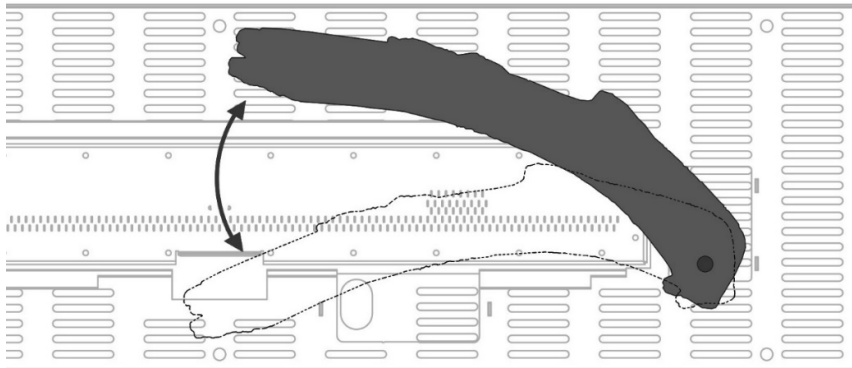


6. Placing the log onto the log base/tube:

Step 1: Grasp the log at both ends as shown in the picture below.



Step 2: Insert the tube coming out of the log into its base while making gentle rotational movements back and forth around its axis for easy insertion/removal. See figure below.



Top View

⚠ WARNING: Using force when installing the log onto its base/gas tube may result in breakage or damage to the log that will require its replacement.

70-3 Burner Firelog Setup (60 Series)

Log placement of the Driftwood Firelog Set is crucial for optimal fireplace operation and safety purposes. Logs must be arranged as detailed in the following pages. No other arrangement is permitted. Alternative log arrangement will affect fireplace safety, operation, and performance. Setup can take up to 1 hour to complete. Handle logs gently to avoid paint damage. Log placement is the same for NG and LP.

The following items are included with the Driftwood Firelog set for the **Wilderness 60 standard height and 60H series fireplaces with Driftwood 70-3 Firelog Burner.**



Items supplied with Driftwood 70-3 Firelog set

STEP 1: Nickle Strands

1. Use your fingers to separate the nickel strands (supplied 2x20" long) as shown in the image below. It is recommended to cut the nickel strips into 10 equal strips to make it easier to separate them.



Left: Nickel strands as supplied | Right: Nickel strands ready to use

2. Place nickel strands on top of the burner holes. Keep nickel strands a minimum of 1 inch from the pilot.



⚠ WARNING: For safety and optimal fireplace function, keep 1 inch around the pilot (behind pilot hood) completely clear of any media or debris.

Arrange firelogs as shown in Steps 2-9.

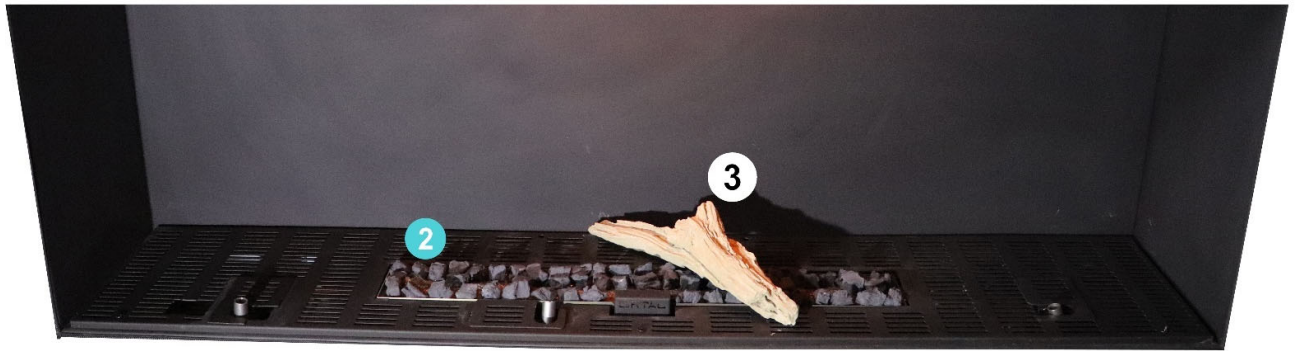
STEP 2: Charcoals (Optional)

Cover the inner portion of the burner with some of the provided charcoals. Do not cover any burner holes. Maintain minimum 1-inch clearance around the pilot behind pilot hood. Remainder of the charcoals will be used at a later step.

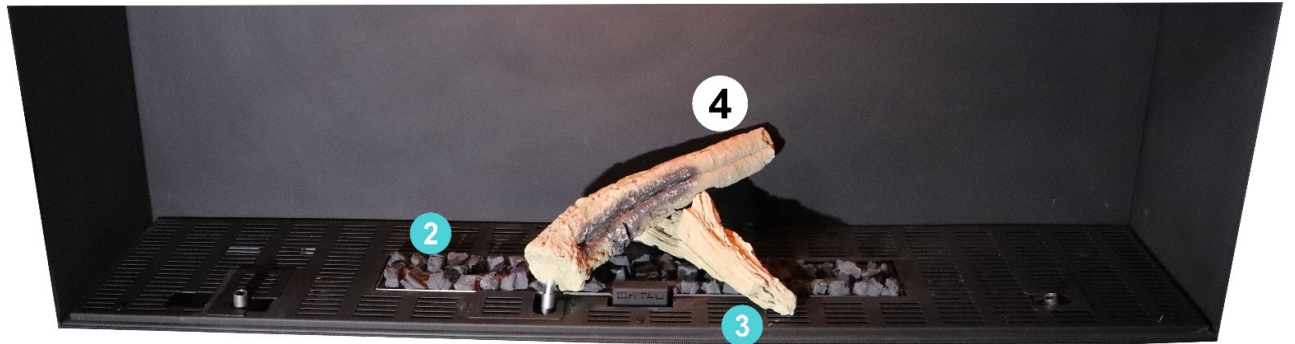


⚠ WARNING: For safety and optimal fireplace function, keep 1 inch around the pilot (behind pilot hood) completely clear of any media or debris.

STEP 3

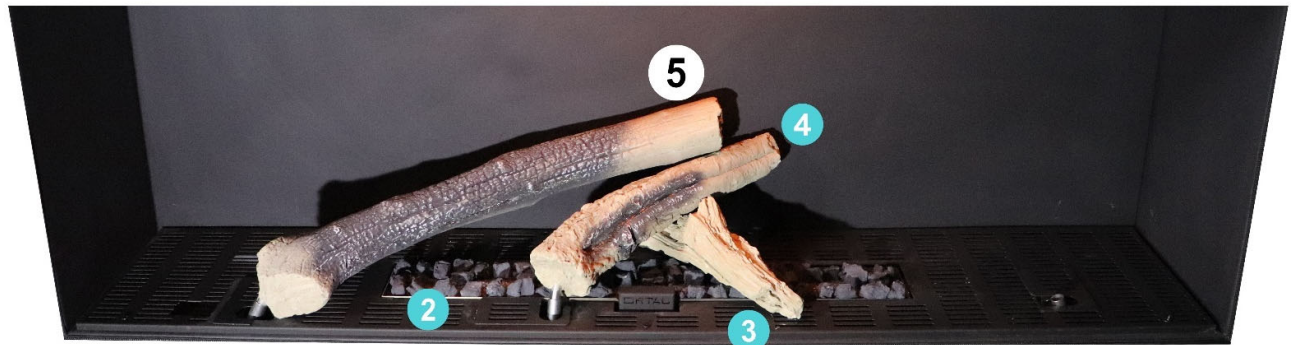


STEP 4



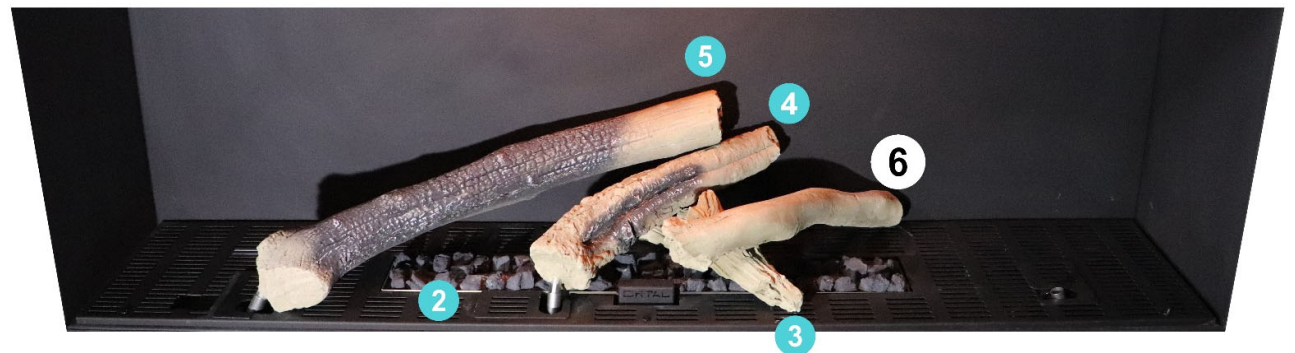
The base of log #4 can be adjusted to fit the position shown in picture above (see “Log Base Position Adjustment” section on page 58 for details).

STEP 5

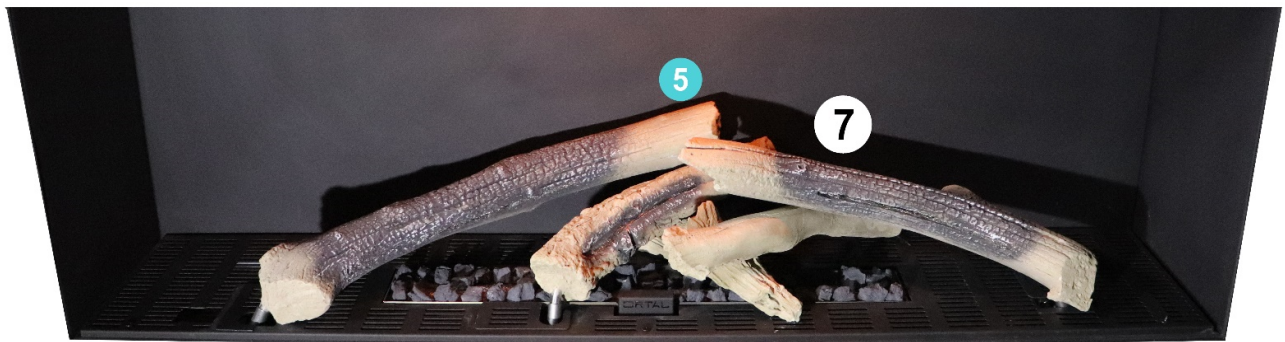


The base of log #5 can be adjusted to fit the position shown in picture above (see “Log Base Position Adjustment” section on page 58 for details).

STEP 6

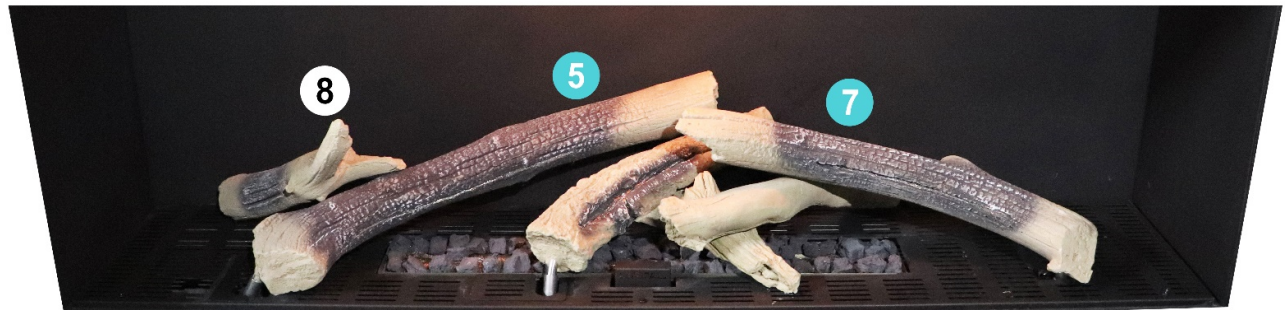


STEP 7



The base of log #7 can be adjusted to fit the position shown in picture above (see “Log Base Position Adjustment” section on page 58 for details).

STEP 8



STEP 9



STEP 10: Charcoals (Optional)

Cover the remainder of the burner with provided charcoals. Do not cover any burner holes. Maintain minimum 1-inch clearance around the pilot behind pilot hood.



⚠ WARNING: For safety and optimal fireplace function, keep 1 inch around the pilot (behind pilot hood) completely clear of any media or debris.

→ 100-3 Firelog Setup (60H Series)

Log placement of the Driftwood Firelog Set is crucial for optimal fireplace operation and safety purposes. Logs must be arranged as detailed in the following pages. No other arrangement is permitted. Alternative log arrangement will affect fireplace safety, operation, and performance. Setup can take up to 1 hour to complete. Handle logs gently to avoid paint damage. Log placement is the same for NG and LP.

The following items are included with the Driftwood Firelog set for the **Wilderness 60H series fireplaces with Driftwood 100-3 Firelog Burner.**



Items supplied with Driftwood 100-3 Firelog set

STEP 1: Nickle Strands

1. Use your fingers to separate the nickle strands (supplied 2x20" long) as shown in the image below. It is recommended to cut the nickle strips into 10 equal strips to make it easier to separate them.



Left: Nickel strands as supplied | Right: Nickel strands ready to use

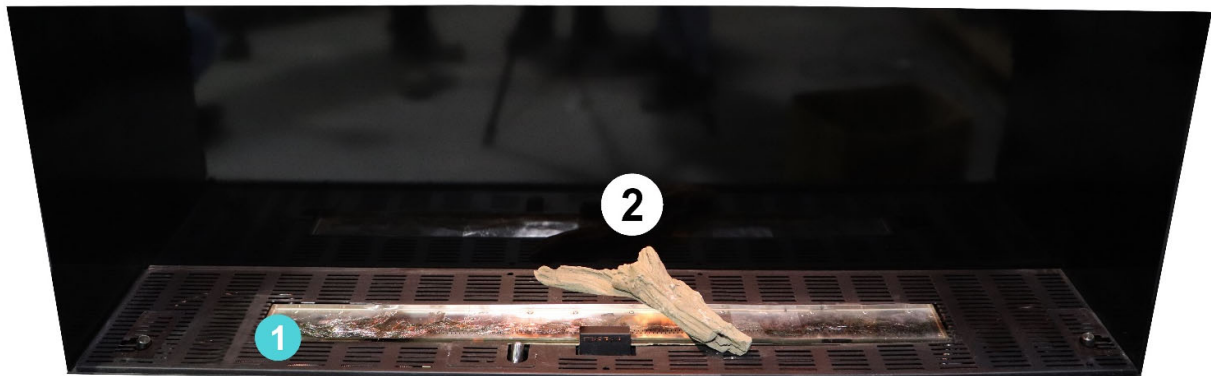
2. Place nickel strands on top of the burner holes. Keep nickel strands a minimum of 1 inch from the pilot.



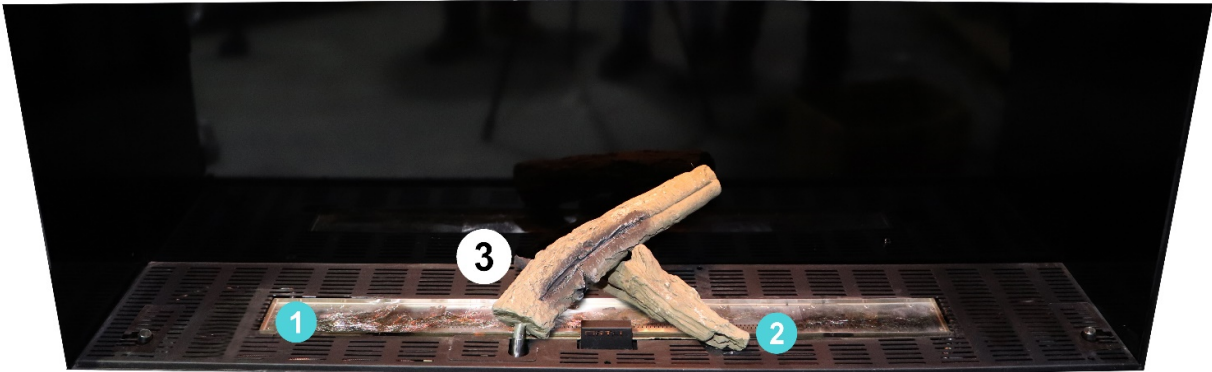
⚠ WARNING: For safety and optimal fireplace function, keep 1 inch around the pilot (behind pilot hood) completely clear of any media or debris.

Arrange firelogs as shown in Steps 2-8.

STEP 2

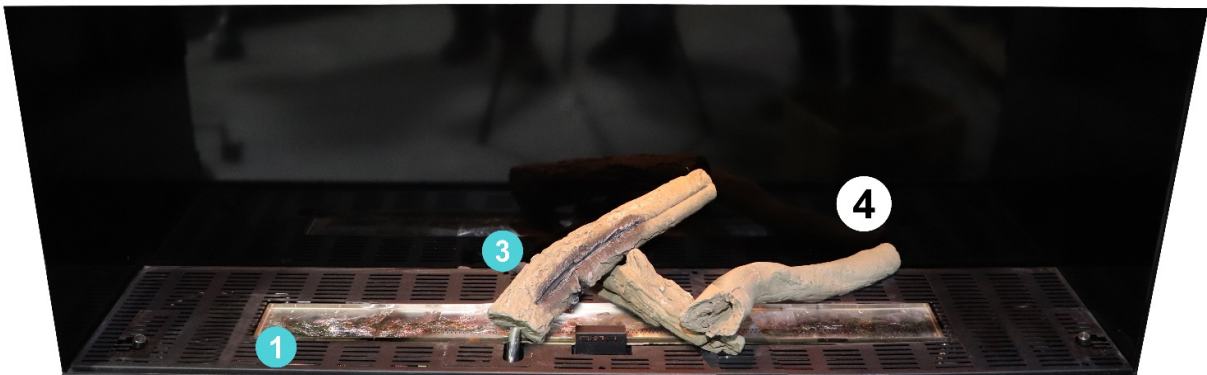


STEP 3

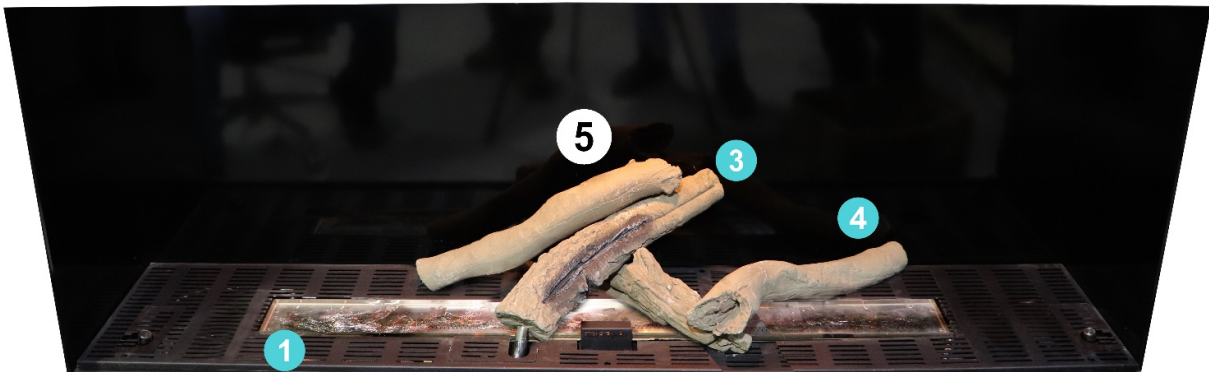


The base of log #3 can be adjusted to fit the position shown in picture above (see “Log Base Position Adjustment” section on page 58 for details).

STEP 4



STEP 5



STEP 6



The base of log #6 can be adjusted to fit the position shown in picture above (see “Log Base Position Adjustment” section on page 58 for details).

STEP 7



The base of log #7 can be adjusted to fit the position shown in picture above (see “Log Base Position Adjustment” section on page 58 for details).

STEP 8



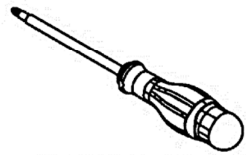
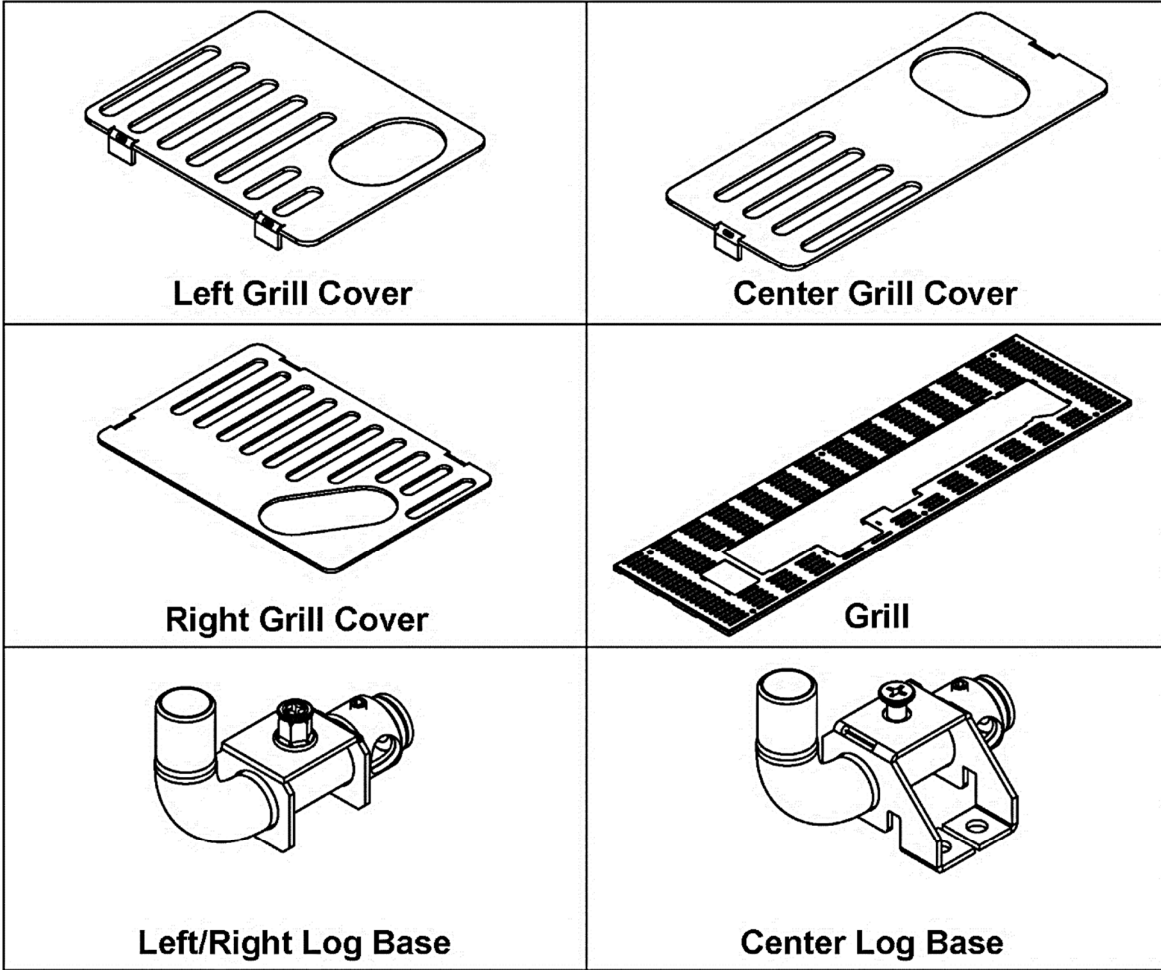
STEP 9: Charcoals (Optional)

Cover the remainder of the burner with provided charcoals. Do not cover any burner holes. Maintain minimum 1-inch clearance around the pilot (behind pilot hood).



⚠ WARNING: For safety and optimal fireplace function, keep 1 inch around the pilot (behind pilot hood) completely clear of any media or debris.

Log Base Position Adjustment



Phillips Head
Screwdriver



2.5 Allen Key

Tools Needed

Adjustment Instructions

! NOTE: The following images are for illustrative purposes only. Instructions apply to Front, Corner, and Three Sided models.

Step 1

Remove the front heat barrier (screen or glass) and inner front glass.

Step 2

Pull the logs up and remove from the fireplace, as shown in figure 1 below.

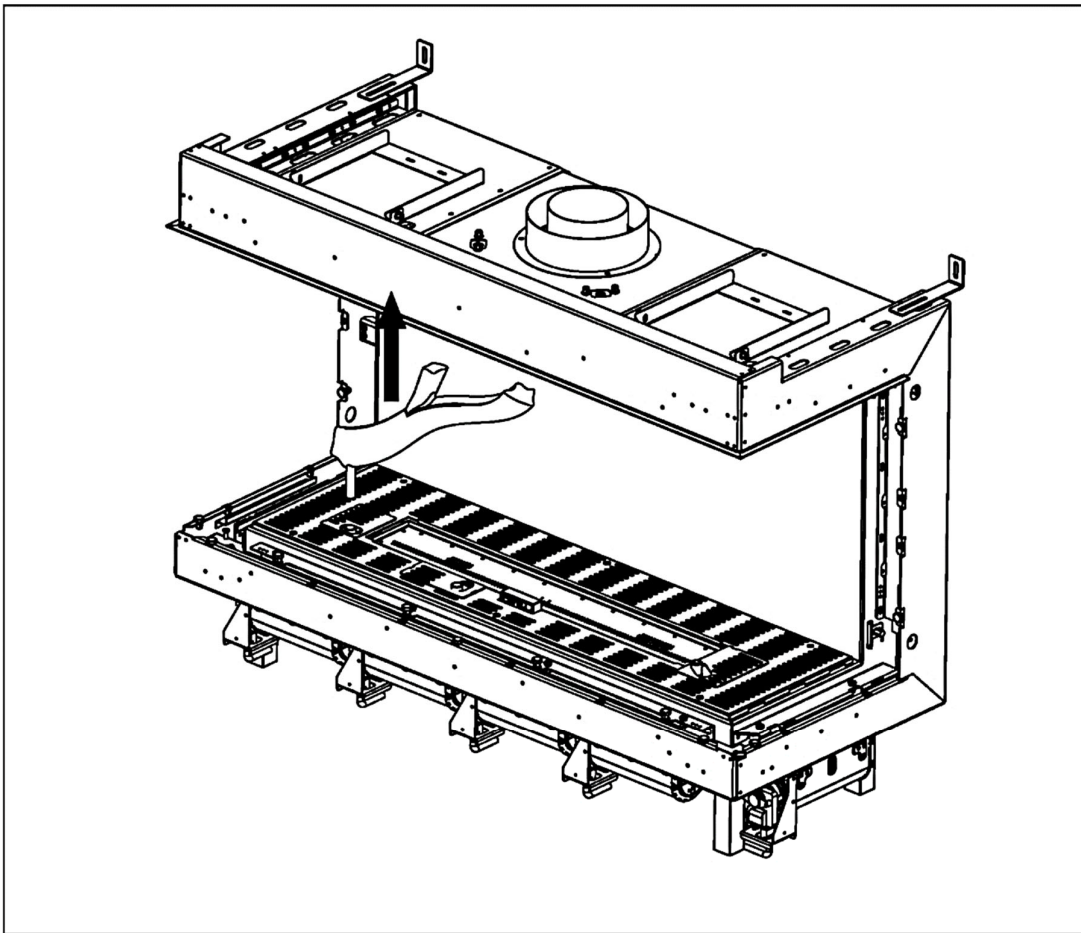


Figure 1

Step 3

Remove the grill covers as shown in figure 2 below.

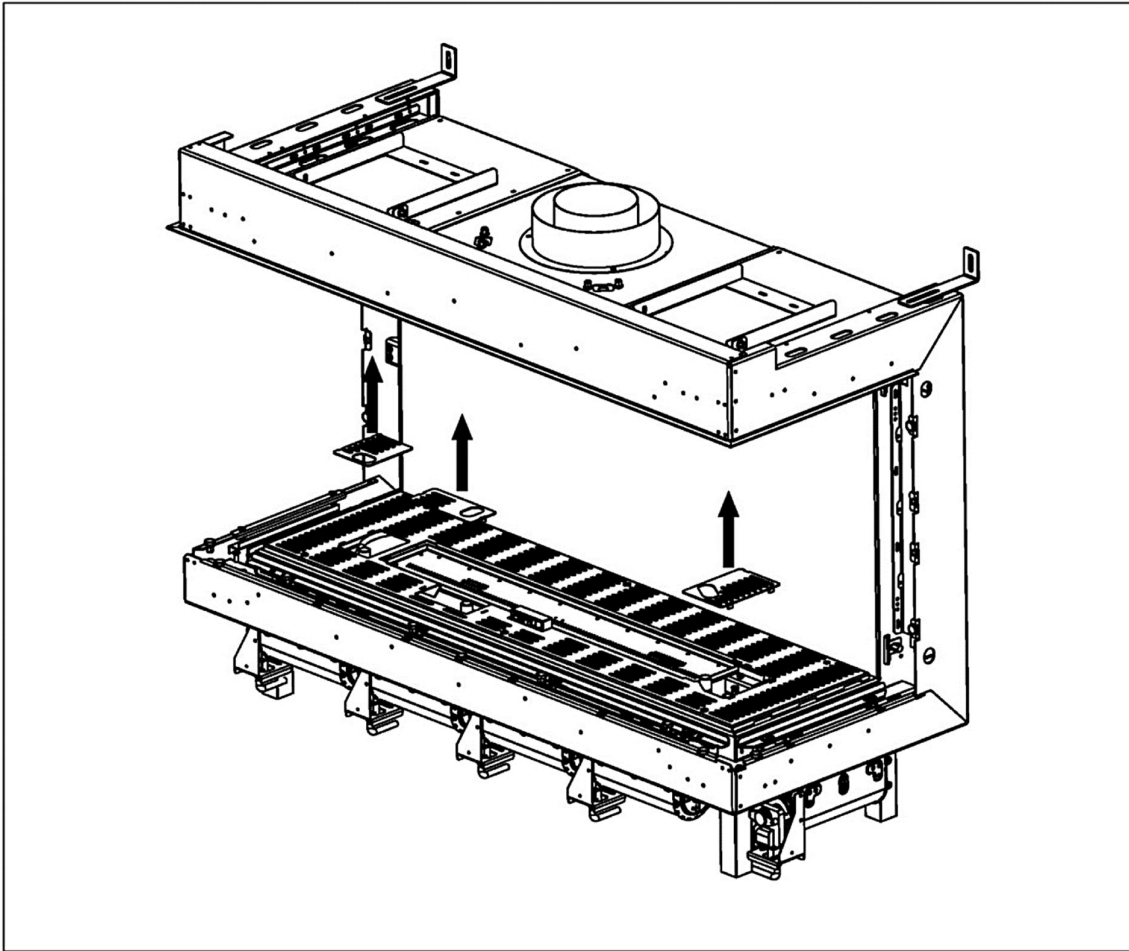


Figure 2

NOTE: Reassemble the system by performing Steps 1-3 in reverse.

Adjusting Log Position

Step 4

Using a screwdriver, loosen the log tube screw to change its orientation, as shown in figure 3 below.

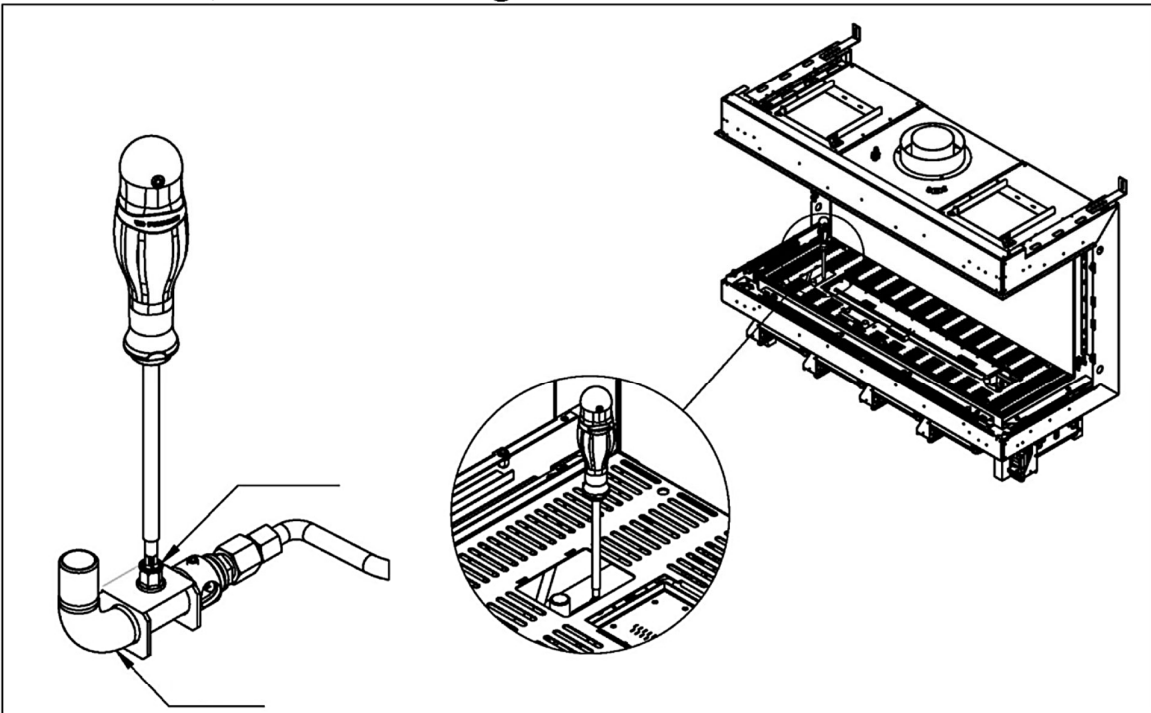


Figure 3

Step 5

Adjust the orientation as needed, as shown in figure 4 below, then re-tighten the screw.

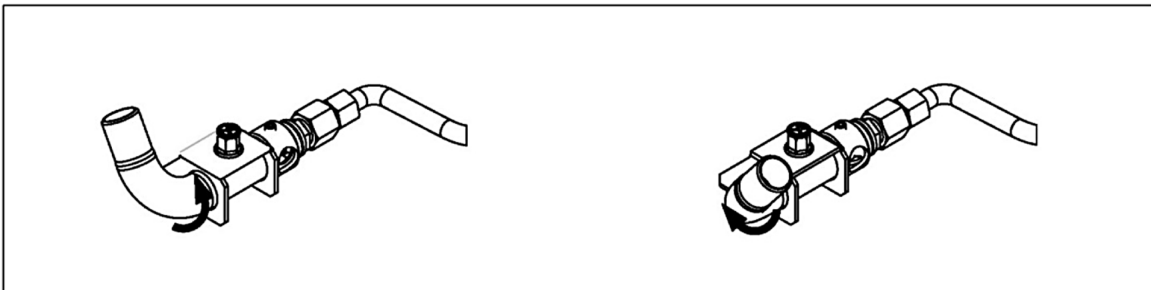


Figure 4

Log Base Aeration

Step 1

Using a 2.5mm Allen Key, loosen the aeration screw to change its position, as shown in figure 1 below.

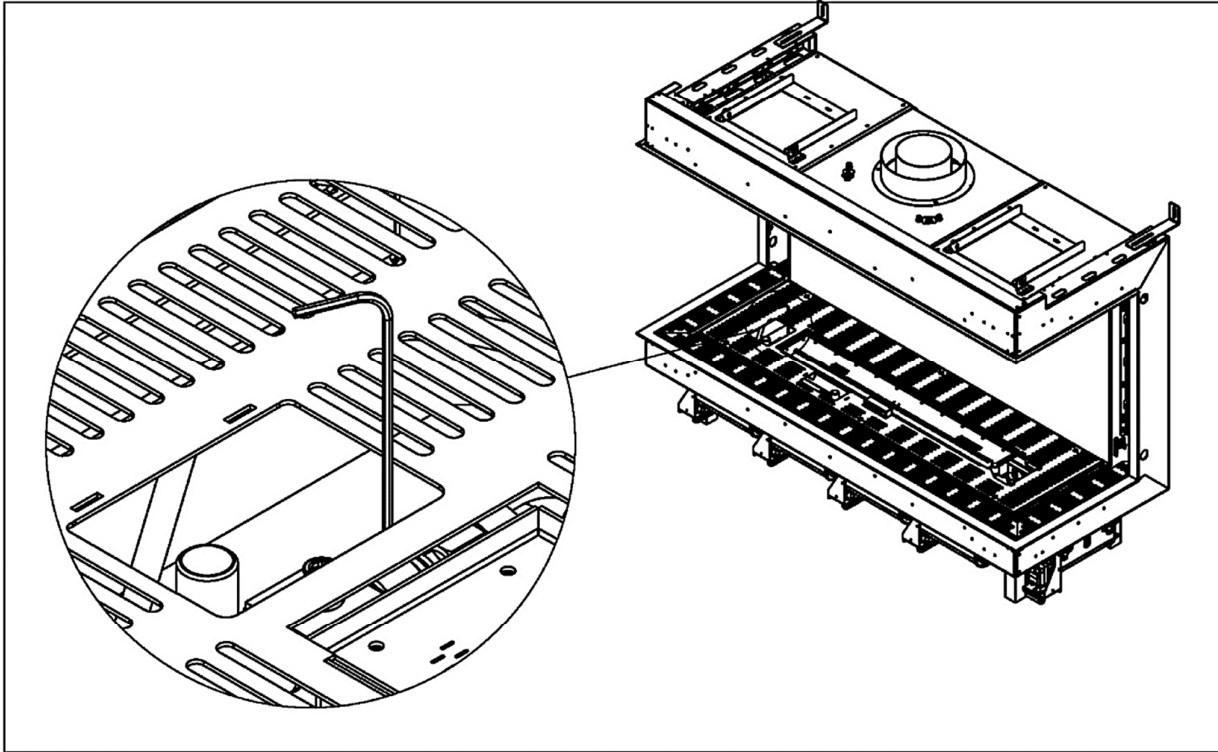


Figure 1

Step 2

Rotate the shutter to adjust the aeration to the gas tube, as shown in figure 2 below. Then re-tighten the screw.

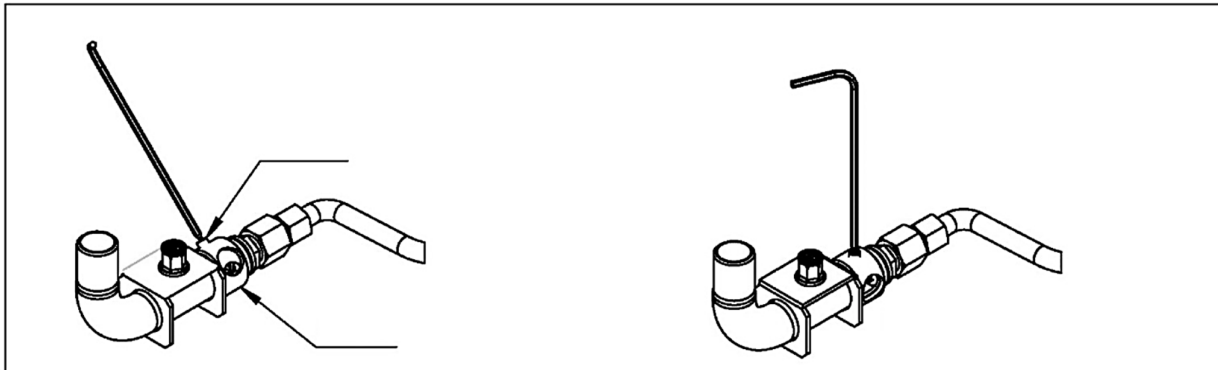


Figure 2

Operation

WARNING – Read these instructions carefully before lighting the fireplace.

Four operation options are available for use with the fireplace:

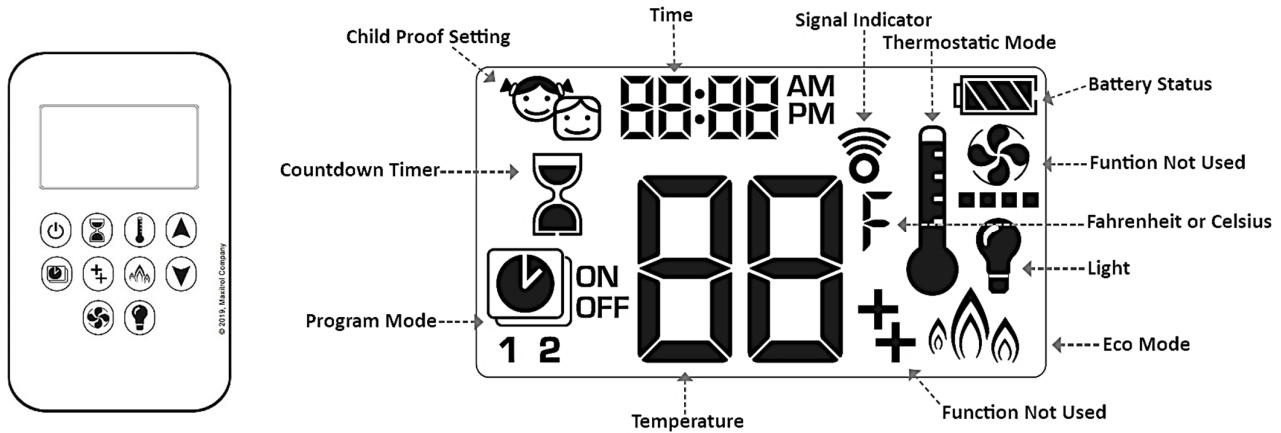
- 10-Button Remote Control Handset (default option, always included with the fireplace)
- Puck Handset (optional accessory)
- Wall Switch (optional accessory)
- MyFire Application (optional accessory)

IMPORTANT: The 10-Button remote control handset is always included with the fireplace regardless of which operation option is chosen. **DO NOT DISCARD.** The 10-Button remote must be kept within 26 feet of the fireplace at all times.

NOTES:

- Wiring of valve and receiver must be completed before starting ignition. Failure to do so could damage the electronics.
- If operating the fireplace without an AC adapter, battery replacement is recommended at the beginning of each heating season.
- Fireplaces with double glass, power vent, and/or interior lighting features must operate using the AC Adapter and therefore will not operate during a power failure.
- Only the Mertik Maxitrol AC Adapter is permitted for use with the fireplace. Use of other adapter brands can render the system inoperable. The handsets, receivers, wall switches are not interchangeable with other electronics.
- Batteries must be kept within their recommended temperature limits (32°F to 131°F).

10-Button Remote Control Handset



© 2019, Maxitrol Company

Control Option	Radio Frequency	Power Supply	
10-Button Handset	918.0 MHz (U.S. & Canada)	2 x 1.5V AAA batteries (quality alkaline recommended)	Replace batteries after 2 years or when low battery indicator appears on handset display

IMPORTANT: For safety/communication purposes, 10-button handset must be located within 26 feet of the receiver.

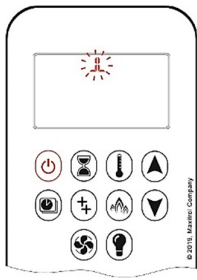
NOTE: Any device that functions using the same radio frequency as the handset will be affected when handset is in use.


Operating Instructions


Instructions for operating the 10-Button Handset are shown below. For more in-depth instructions, please refer to the “Homeowner’s Fireplace Operation manual” or “Remote Operation Instructions”.


NOTE: Some options on the remote may not be available for all fireplaces.

Turning the Fireplace On




1. Press the  button until you hear continuous beeping, and a blinking series of lines confirms the start sequence has begun; release buttons.
2. Main gas flows once pilot ignition is confirmed.
3. The system automatically goes into Manual Mode after main burner ignition.

 **NOTE:** When pilot ignition is confirmed, motor turns automatically to maximum flame height.

 **NOTE:** If the Timer function has been set and the fireplace is manually turned on, the Timer function will need to be reset.

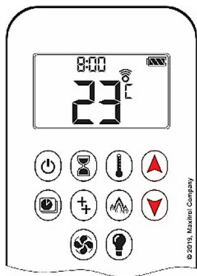
Turning the Fireplace Off





1. Press the  button to turn the fireplace off.

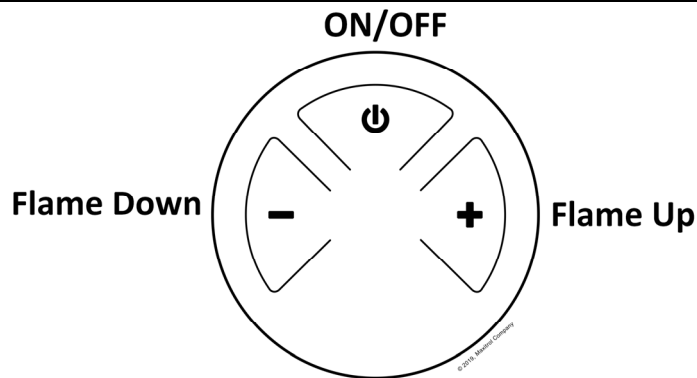
 **NOTE:** The fireplace may be turned on again after the OFF icon stops flashing.

Flame Height Adjustment



1. To increase flame height, press and hold the  button to desired flame height.
2. To decrease flame height, or to set fireplace to pilot flame only, press and hold the  button.

Puck Handset



Control Option	Radio Frequency	Power Supply	
Puck Handset	918.0 MHz (U.S. & Canada)	2 x 1.5V AAA batteries (quality alkaline recommended)	Replace batteries after 2 years or when low battery indicator appears on handset display

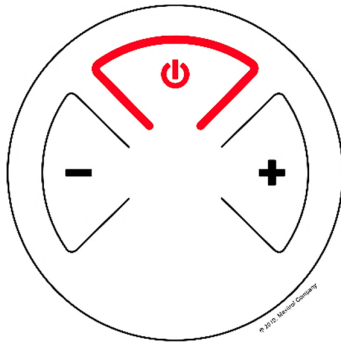
IMPORTANT: For safety/communication purposes, Puck handset must be located within 26 feet of the receiver.

 **NOTE:** Any device that functions using the same radio frequency as the handset will be affected when handset is in use.


Operating Instructions

Instructions for operating the Puck Handset are shown below.


Turning the Fireplace On/Off



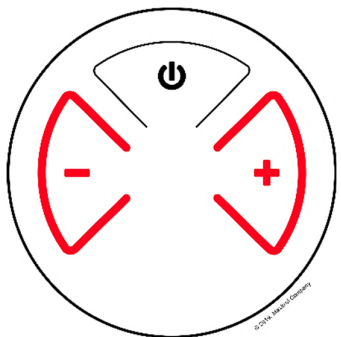
ON:

- Firmly press and hold the  button until two short beeps confirms the start sequence has begun; release button.

OFF:

- Firmly press the  button.

Increase/Decrease Flame Height



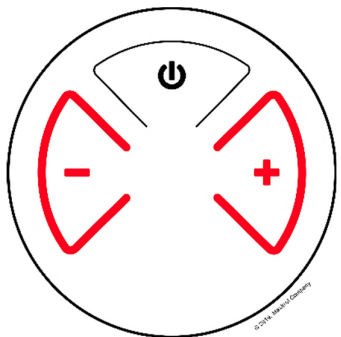
INCREASE:

- To increase flame height, press and hold **+** button.

DECREASE:

- To decrease flame height, press and hold **-** button.
- Holding the **-** button long enough sets the fireplace to pilot flame (Standby Mode).

Designated Flame Settings



DESIGNATED LOW FLAME SETTING

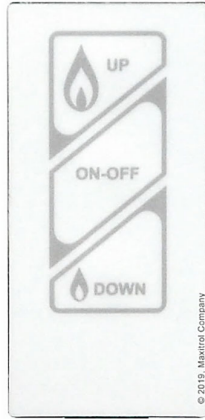
- To go to designated low flame setting, double-click **-** button.

 **NOTE:** Flame goes to High Flame before going to Low Flame.

DESIGNATED HIGH FLAME SETTING

- To go to designated high flame setting, double-click **+** button.

Wall Switch

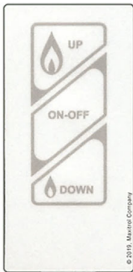


Control Option	Radio Frequency	Power Supply
Wall Switch	N/A	N/A

IMPORTANT: For safety/communication purposes, the 10-button handset must be located within 26 feet of the receiver.

Operating Instructions

Turning the Fireplace On/Off

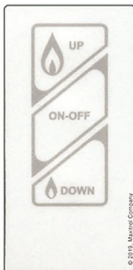


ON/OFF

ON: Press and hold the **ON-OFF** button until two short beeps confirms the start sequence has begun; release button.


OFF: Press the **ON-OFF** button.


Flame Height Adjustment




Flame Up

Flame Down

INCREASE: To increase flame height, press and hold  (up flame) button.

DECREASE: To decrease flame height, press and hold  (down flame) button.

Holding the  (down flame) button long enough sets the fireplace to pilot flame (Standby Mode).

→ MyFire App

The MyFire app requires the Wi-Fi kit to operate with the fireplace. The Wi-Fi kit does not automatically come with the fireplace and must be ordered.



IMPORTANT: For safety/communication purposes, the 10-button handset must be located within 26 feet of the receiver.

To download the MyFire app, search “MyFire” at the Apple App Store or Google Play.

Operating Instructions

For setup and operating instructions of the MyFire app, see the Homeowner’s Fireplace Operation manual, or visit the Ortel website or www.myfireapp.com.

MyFire Wi-Fi Box

The MyFire Wi-Fi router box provides the Wi-Fi connection that allows the MyFire App to operate the fireplace. This part is included with the optional Wi-Fi kit. Wi-Fi kit does not automatically come with the fireplace and must be ordered.



Part	Radio Frequency	Power Supply	Wireless Communication
MyFire Wi-Fi Box	2.4 GHz	Connects to Receiver	WPA2 authentication AES 256-bit encryption security Compatible with IEEE 802.11 b/g/n

Fireplace Maintenance

General Maintenance

All servicing, maintenance, interior cleaning and handling of the fireplace, parts and glass must be performed by an authorized Ortal dealer service technician only.

Servicing

- Turn off the gas and electricity **BEFORE** servicing the fireplace.
- It is recommended that a routine inspection is performed at the beginning of each heating season.
- When removing glass from multisided fireplaces, only one side of glass can be removed at a time. Glass must be re-installed before removing glass from a different side.

Burner and Vent Inspections

- Periodic checks should be made of the burner for correct position and condition. Visually check the flame of the burner, making sure that the flames are steady.
- The vent system must be inspected before use. Annual inspection must be scheduled to ensure the flow of combustion and ventilation air.

Submerged Parts

- Do not use the fireplace if any part has been under water, or if you suspect that it may have been under water. The Ortal dealer service technician must inspect and, if necessary, replace any parts of the control system and any gas controls which have been under water.

Handling the Glass

Inner glass panel is 5mm ceramic glass. Exterior double glass panel is 3/16" tempered glass. Tempered glass can be sourced locally if replacement becomes necessary. Ceramic glass must be provided by Ortal.

- When removing glass from multisided fireplaces, only one side of glass can be removed at a time. Glass must be re-installed before removing glass from a different side.
- **NEVER** operate the fireplace without the glass properly secured in place.
- Only an Ortal certified installer is authorized to remove the glass. Glass must be removed using an 8-inch glass-handling suction cup. Lower the glass to rest in a safe place to prevent damage to the glass edges.

Cleaning the Fireplace

- Only an Ortal dealer service technician can open the fireplace to clean interior surfaces.
- **ALWAYS** turn off the gas valve before cleaning.
- Do **NOT** clean when hot. Make sure fireplace has had time to cool prior to cleaning any surface or component, interior or exterior.
- Keep the fireplace clean by brushing and/or vacuuming at least once a year. This can only be performed by an Ortal dealer service technician.
- When removing glass from multisided fireplaces, only one side of glass can be removed at a time. Glass must be re-installed before removing glass from a different side.
- Clean the glass when it starts to look cloudy. Use a damp cloth for cleaning the fireplace and the door.
- Verify correct operation after servicing.

Maintenance Frequency and Equipment Checklist

- Under normal circumstances, the factory recommendation is to have the fireplace serviced at least once a year. Fireplaces meeting the following conditions should have more frequent service:
 - Fireplaces installed in commercial/public spaces should be serviced every 3 months.
 - Fireplaces installed in climates near the ocean or in other settings where corrosion buildup is more likely should be serviced every 6 months.
- Thermocouple Maintenance:
 - The thermocouple should be replaced annually or as needed in all commercial installations, and in any residential fireplace where the fireplace is operated for an average of 10 hours or more per day.
 - For all other installations, the thermocouple should be replaced every three years or as needed.

© Ortal 2022
Version 2.0, January 2022
SKU: KPMANWILD60V2.0

Ortal USA
8421 Canoga Ave Canoga Park, CA 91304
T: (818) 238-7000 | F: (818) 678-0541
info@ortalheat.com | www.ortalheat.com