



ORTAL®
YOUR LIFE. YOUR FIRE.

Ortal Curved & Islands Fireplaces Installation Manual

[THIS INSTALLATION MANUAL INCLUDES ASSEMBLY INSTRUCTIONS
FOR THESE MODELS:

- STAND ALONE 7565 CURVED TUNNEL – DOUBLE GLASS
- STAND ALONE 7565 CURVED – DOUBLE GLASS
- ISLAND 130 – DOUBLE GLASS

- ⚠ WARNING** – Installation must be performed by a professional who is licensed to install fireplaces in the state where the installation will take place.
- ⚠ WARNING** – Instructions provided by the manufacturer, ORTAL, should be considered installation recommendations. If there is any divergence between the manufacturer's instructions and the local code, priority must be given to the local code.
- ⚠ WARNING** – When the design includes hanging a hood from the ceiling, the plan must be approved by a Structural engineer.
- ⚠ WARNING** – Installation of the chimney must be supervised by a constructor engineer.

ORTAL®
YOUR LIFE. YOUR FIRE.

[Table of Contents

Preparation – Curved Fireplaces.....	3
Installation – Curved Fireplaces.....	4
Maintenance – Curved & Island Fireplaces	22
Installation – Wall Mounted Curved Fireplaces	23
Installation – Island Models	28
J.C. Bordelet hood Assembly Instruction	32
Glass Types	33
Clearances for 7565 Curved Tunnel DG – J.C.Bordelet Hood	34
Clearances for 7565 Curved Tunnel DG – Self Top Cover	35

[Preparation – Curved Fireplaces

[PRE-INSTALLATION PREPARATIONS

- A round fireplace can be installed with a cone or flat top. When a cone is installed, it must be installed BEFORE installation of the fireplace begins (according to the installation instructions on page 25 and depending upon the model of the selected cone.

[VENT PIPE AND CONE INSTALLATION

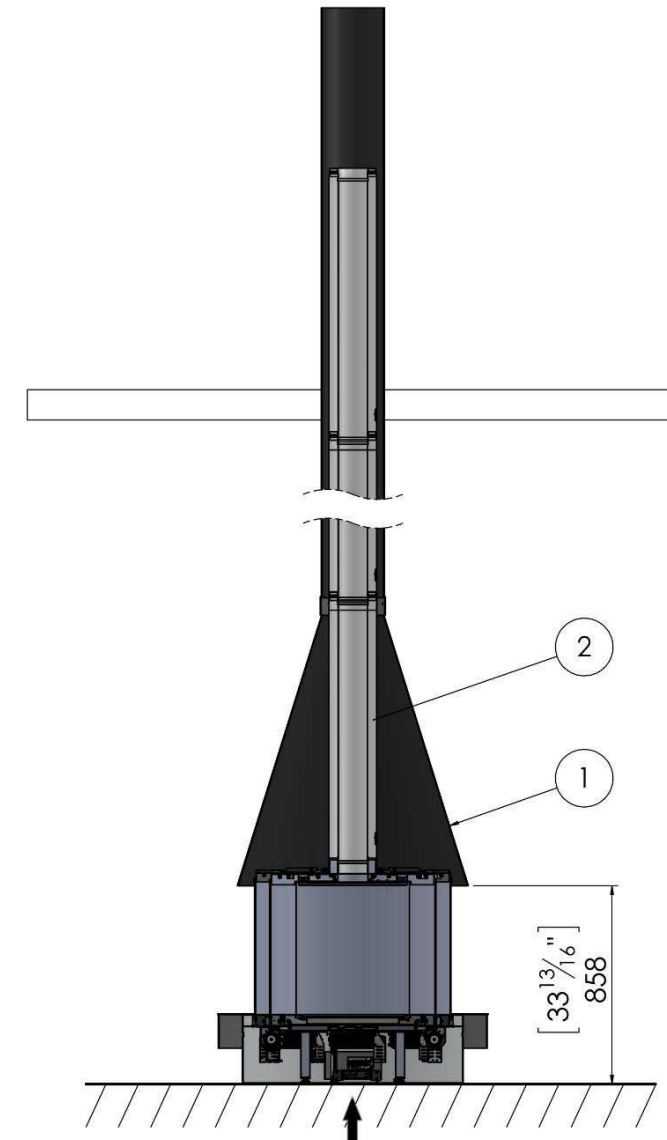
- First install the cone ① (see the relevant cone instructions on page 32).
- Thread the vent pipe inside the cone ② to the required length.
- When the installation is complete, verify that the distance between the bottom of the cone and the floor is approximately 860mm (33 3/4 ").

NOTE: For all round fireplace models, the cone is must be suspended from the ceiling and NOT resting on the fireplace.

[GAS & ELECTRICITY SOURCE

- Provide gas and electricity at the fireplace base's center and according to local code.
- Electrical source – For fireplaces with double glass and blowers, you will need to connect the unit to a 110V outlet.

NOTE: This manual describes the installation of the vent pipe cone and the fireplace assembly. Explanations regarding gas and vent pipe installation are described in a separate Installation & Operation Manual.



Positions for gas and electricity source

Installation – Curved Fireplaces

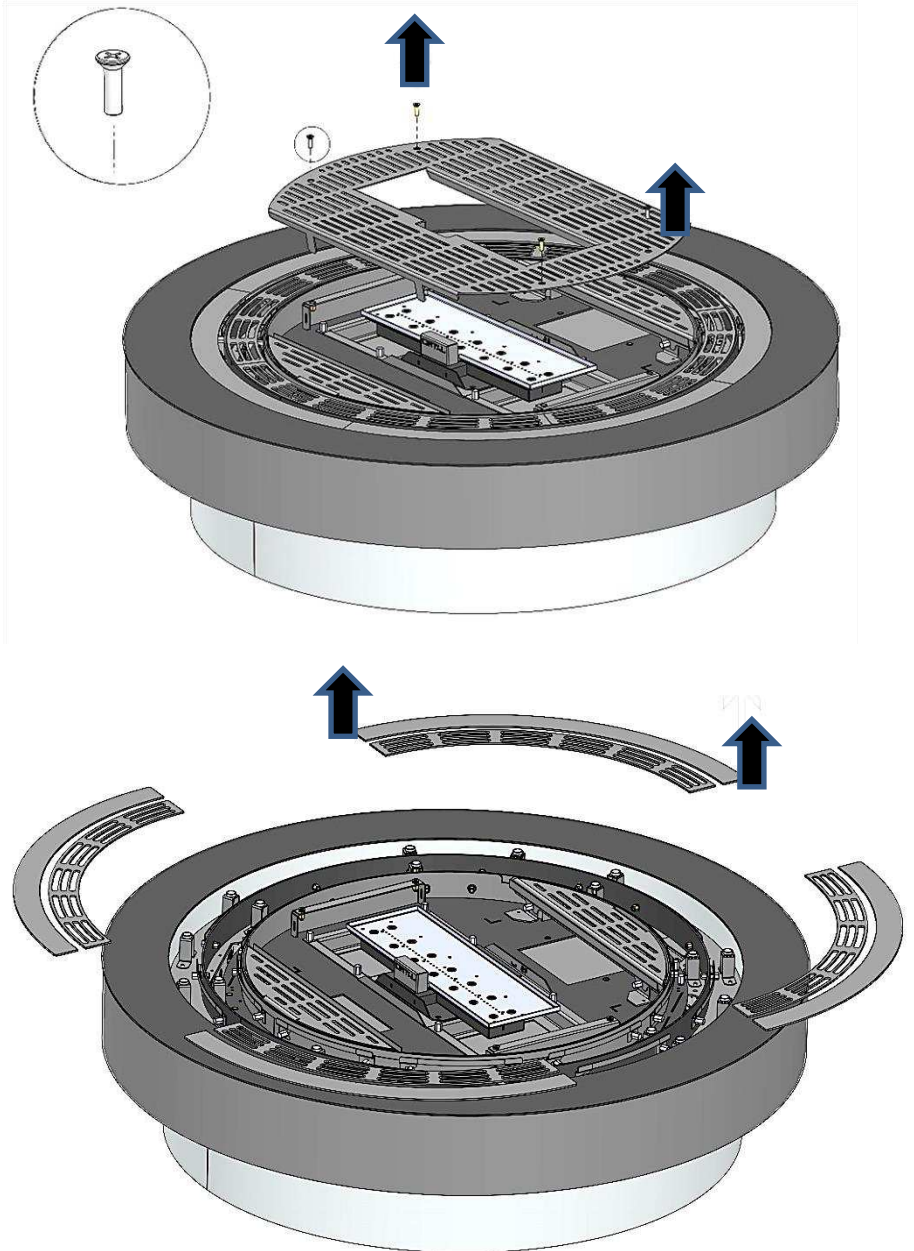
[GRILL COVER

- Unpack the unit.
- Remove the grill by unscrewing the 4 Phillips screws connecting it to the firebox.
- Lift the grill cover tops up and away from the unit.

[DECORATIVE COVERS

- Gently outer 4 peripheral decorative covers. These decorative covers are secured in position with magnetic supports.

NOTE: Use a coated screwdriver only.



[Installation – Curved Fireplaces

[BURNER UNIT REMOVAL

- Carefully lift the burner unit by unscrewing 8 base plate screws, and manually lift and remove the entire burner plate upwards.

[PREPARATIONS

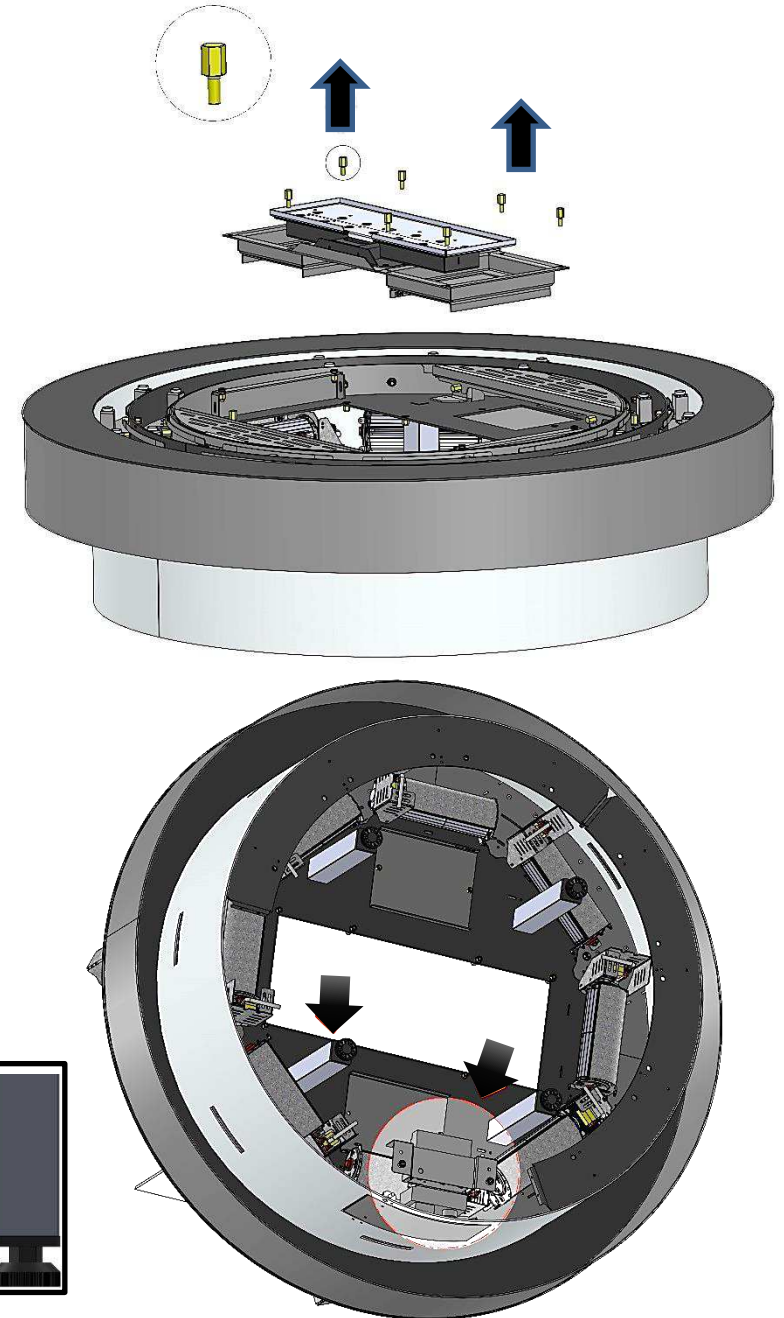
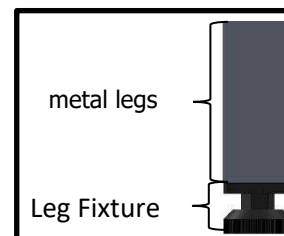
- Gently and securely rotate and position the fireplace base on its side. It is recommended that you prepare a soft material to place underneath the fireplace base for protection.

[GAS VALVE

- The gas valve is screwed to one of the 4 fireplace legs in the factory prior to shipping. Prior to attaching the legs to the fireplace, choose the best location for the gas valve and attach the leg/gas valve assembly to the unit, as described below.

[FIREPLACE LEGS

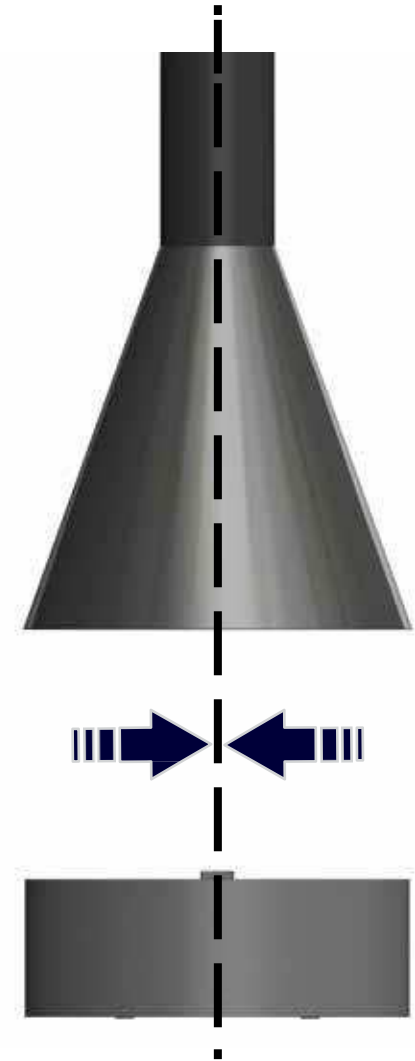
- With the fireplace on its side, install the adjustable leg fixtures to each of the metal legs.
- Make sure the leg fixtures are fitted while the adjusting screws are pointing to the fireplace center (inward direction). This is important for height adjustment later during the installation process.
- When complete, rotate the fireplace base to the upright position so that it stands solidly on it's the legs.



[Installation – Curved Fireplaces

[FIREPLACE BASE INSTALLATION:

- Position the fireplace base centered underneath the vent pipe cone.
- Make sure there is gas and electrical access underneath the fireplace base.



[Installation – Curved Fireplaces

[LEG PLACEMENT:

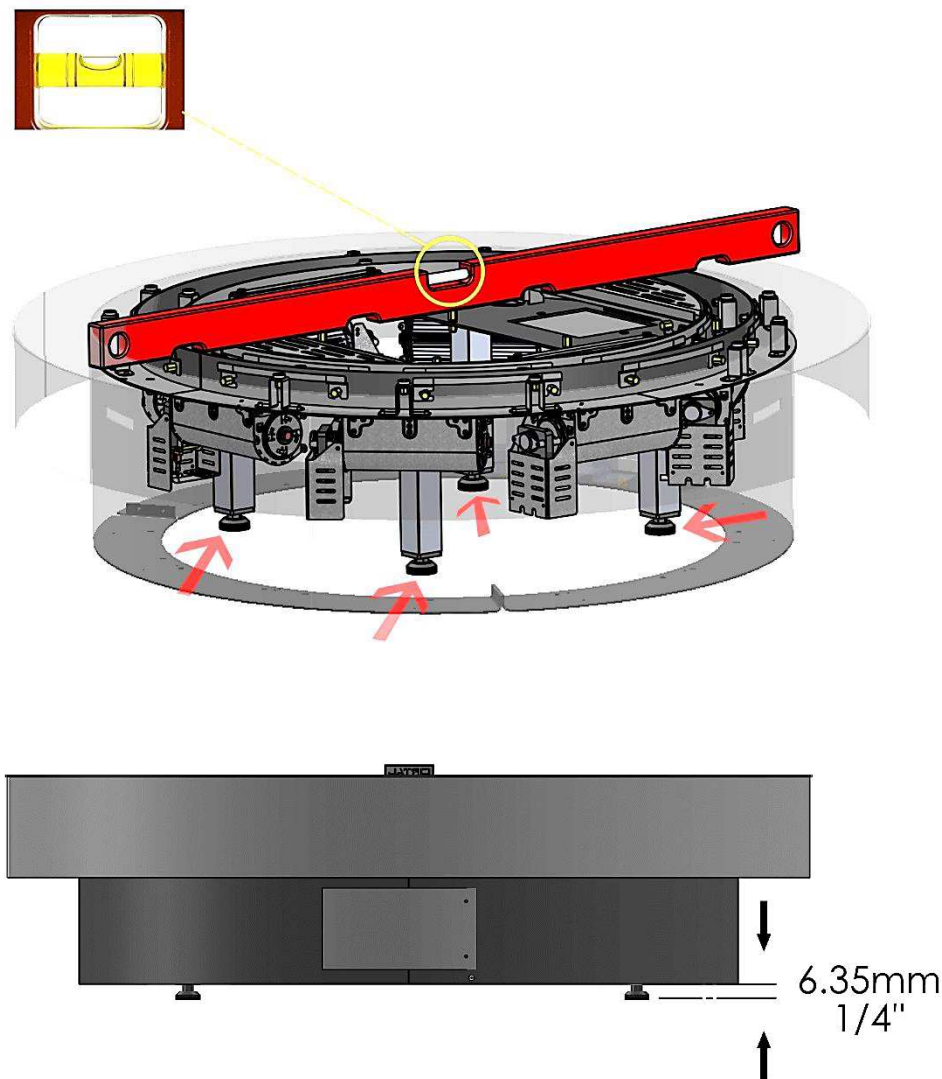
- With the fireplace base centered under the vent pipe cone, secure the legs to the floor with anchor screws.
Note: This step is important to avoid any fireplace movement during use.
- After securing the leg fixtures to the floor, release all adjustment screws to level the fireplace.
- It is recommended to use a level to determine the base level in "X" and "Y" directions before tightening the height adjustment screws.

NOTE: Perform the above installation process through the burner base-plate hole on top.

[SAFETY GAP:

- Before tightening the fixture legs, make sure that there is a safety gap of 6.35mm [1/4"] between the fireplace base (skirt) to the floor.

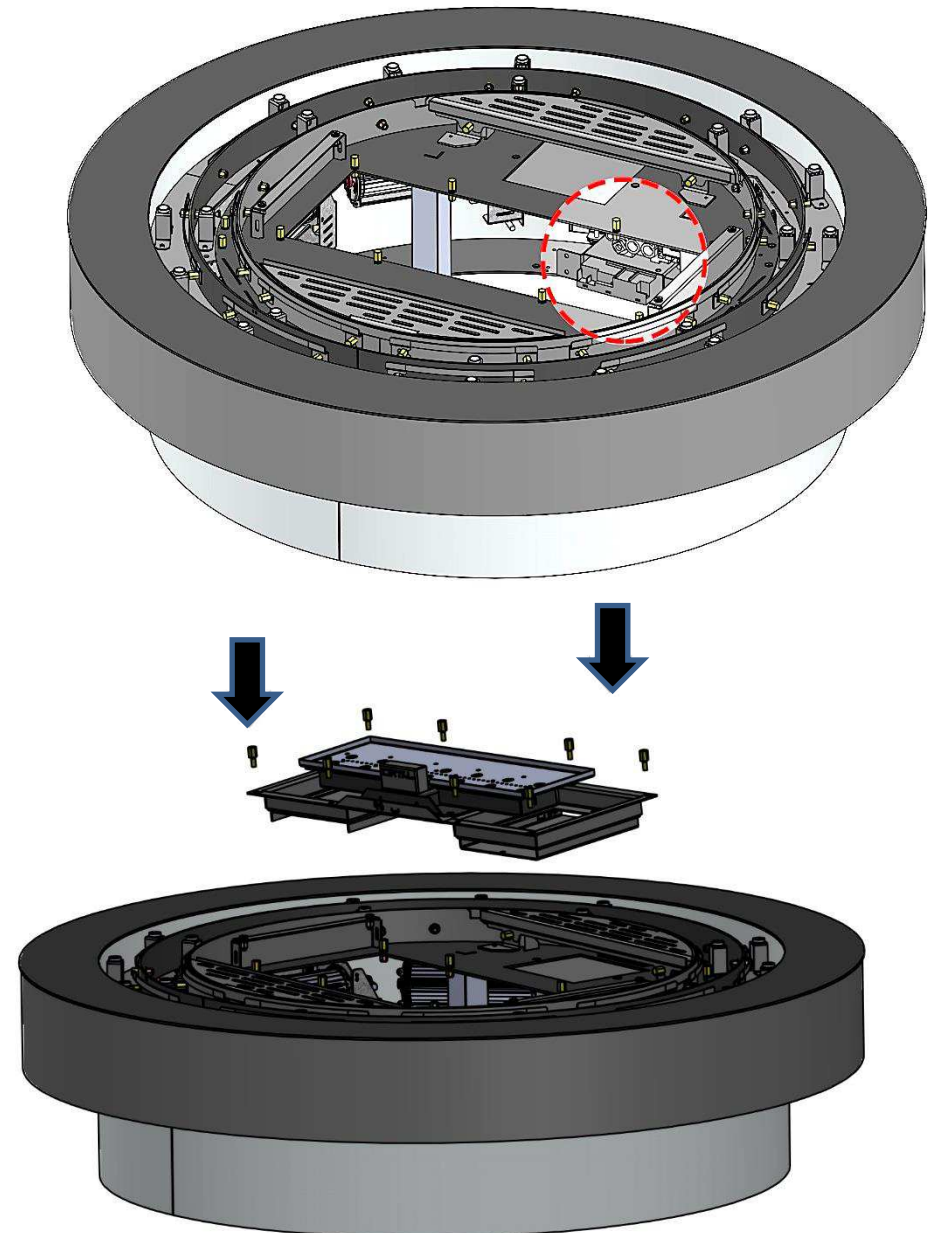
Note: This is an important safety precaution.



Installation – Curved Fireplaces

[GAS AND ELECTRICAL CONNECTIONS:

- Install and connect the gas valve to the supply line, and connect the gas pipe positioned between the gas valve to the burner.
- Connect the electrical wiring to the burner controller per local codes.
- Place the back the burner unit in position, and tighten the 8 top screws to secure the burner.
- NOTE: Make sure the burner is properly seated while the gas pipe and electrical wiring are correctly positioned and attached underneath.



[Installation – Curved Fireplaces

[GLASS TRIMS:

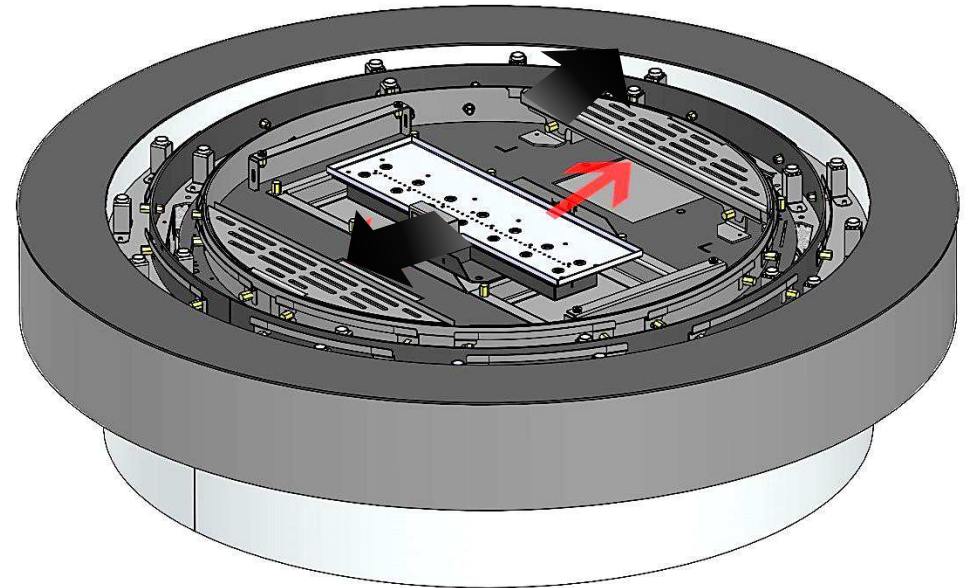
- Slightly release both flat glass panel trim screws to allow easy installation for the next steps.
- NOTE: Do not disassemble the glass trims.

[TOP COVER:

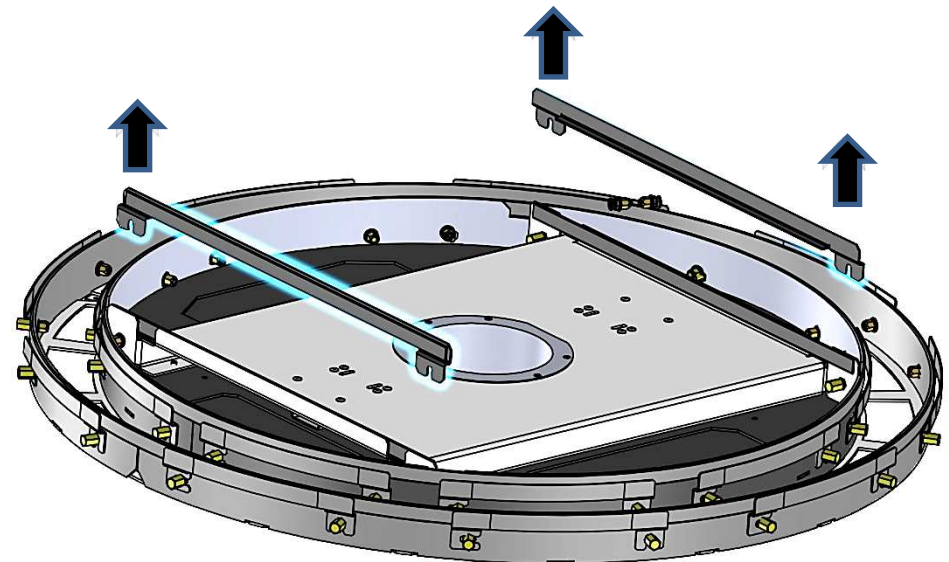
- Gently release both flat glass panel trim screws on the top cover, and lift the trims by sliding them out while the screws remain in place for easy installation on the next step.

[NOTES:

- Do not fully remove the screws.
- It is recommended that you perform this step while the top cover is in an inverted (upside down) position.



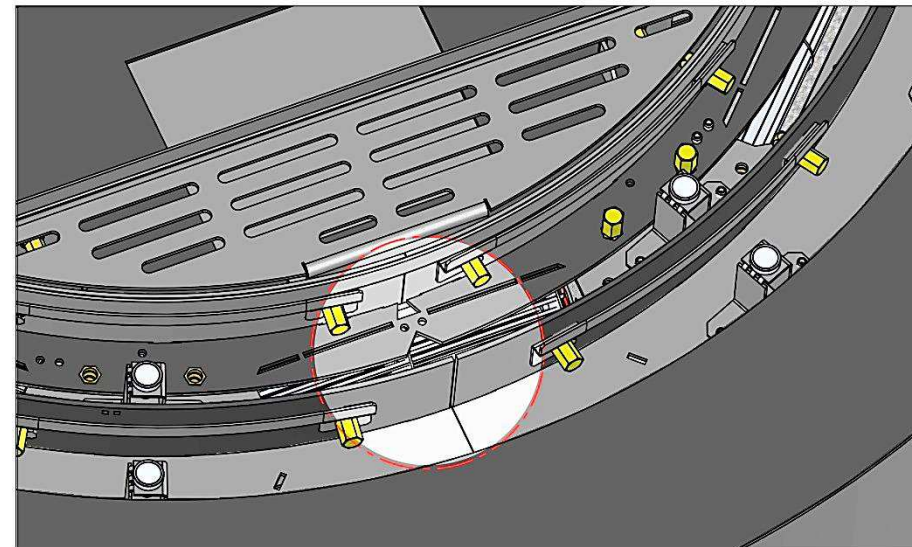
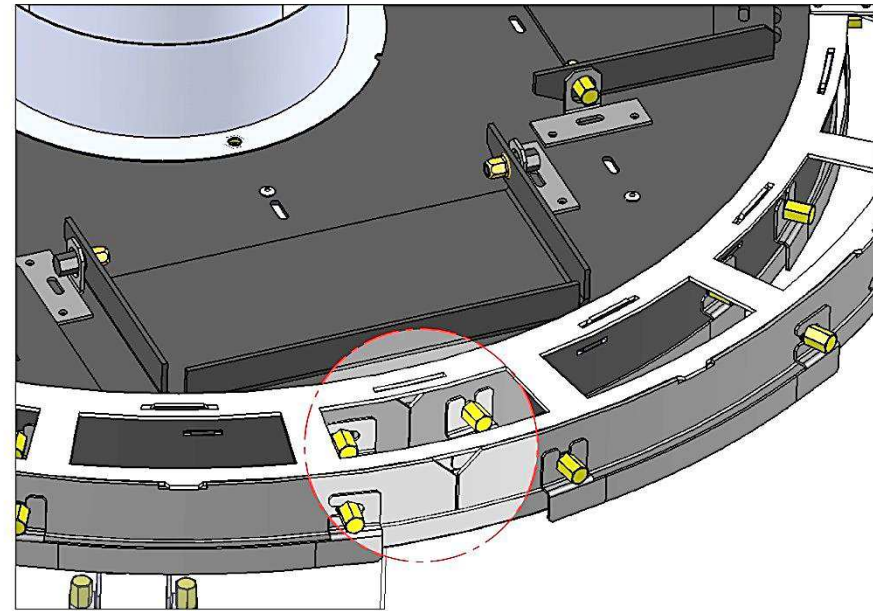
Top Cover in Upside Down view



Installation – Curved Fireplaces

[TOP COVER POSITION:

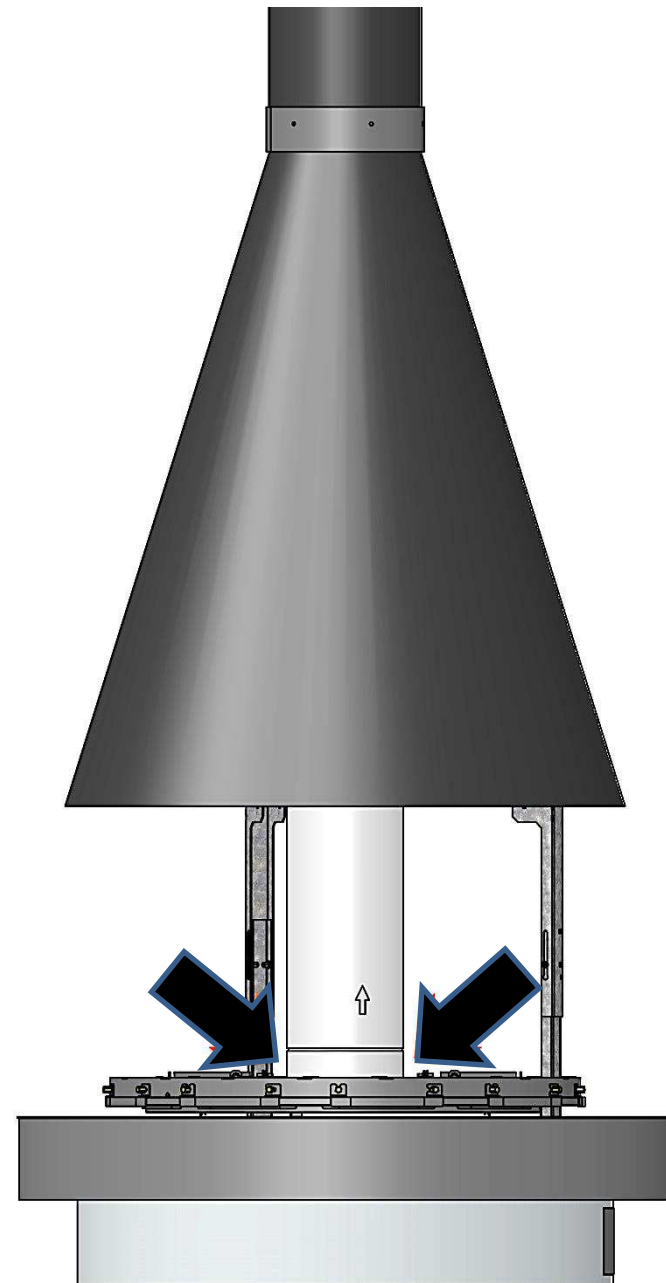
- Make sure the top cover and base are aligned during the installation by lining up both the "V" position marks on the fireplace top and base.



[Installation – Curved Fireplaces

[VENT PIPE CONNECTION

- Once the fireplace top cover is settled on the base, thread the vent pipe segment into place.
- Then, connect the bottom vent pipe segment to the top cover using drill self-tapping screws.



Installation – Curved Fireplaces

[TOP COVER POSITIONING:

- Raise the top cover with the vent pipe segment up into the cone to a height that allows the central inner glass panels to be inserted into place.
- Attach the 3 or 4 support struts in position 1 (see page 13) to symmetrically support the weight of the top cover and vent pipe.
- Lock the support struts in place to prevent the top cover from falling. This is accomplished using the screws in the fireplace base and the notches on the upper edge of each strut.

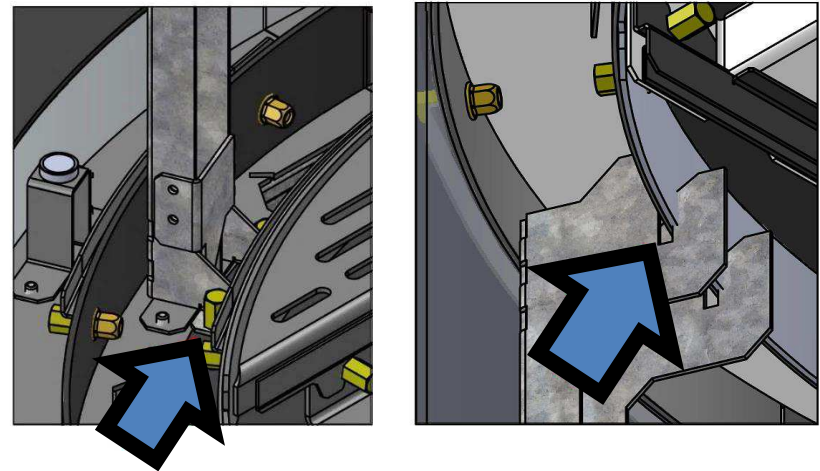
Step 1



Step 2



Step 3



[Installation – Curved Fireplaces

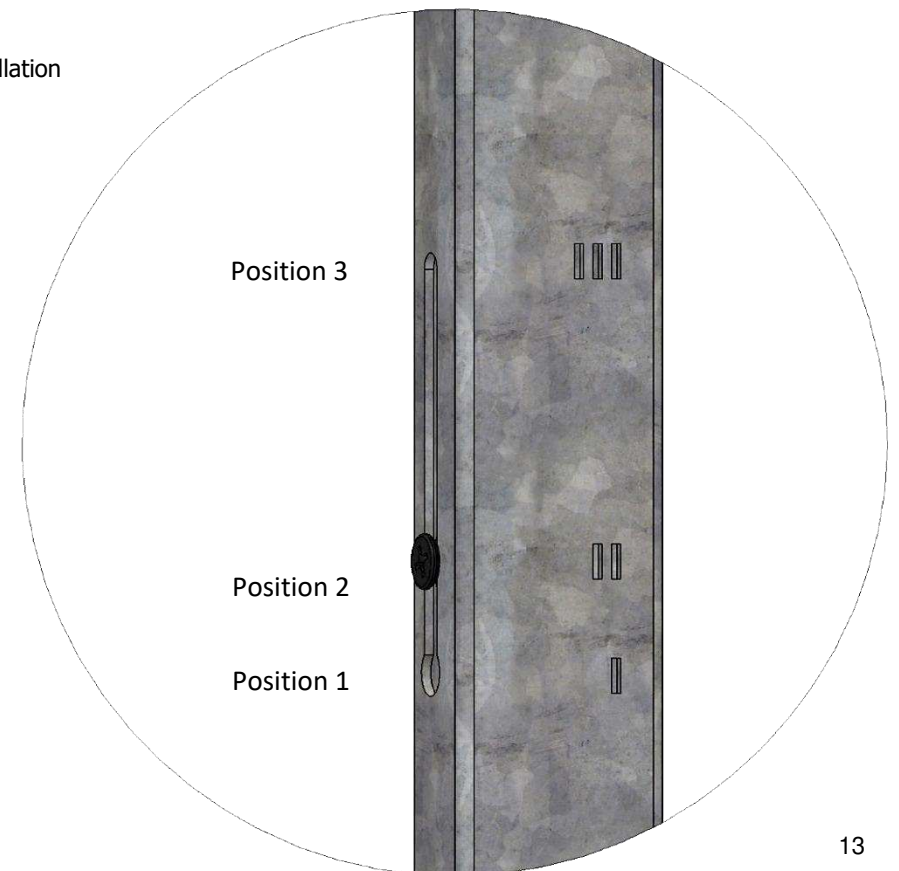
[SECURING THE TOP COVER:

- Take note of the height indicators on the back of the top cover support struts. You will need to adjust the length of the struts to accompany the various steps of installation of the fireplace:

Position 1: High
Position 2: Middle
Position 3: Low

IMPORTANT: Make sure that you secure the top cover throughout the entire installation process to avoid collapse.

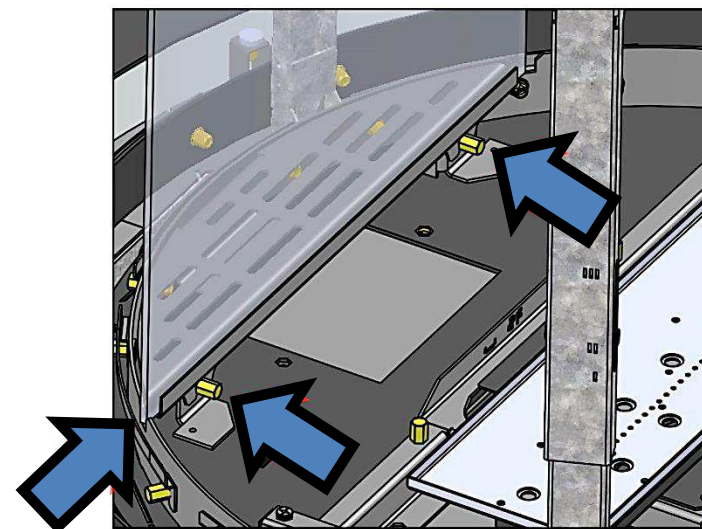
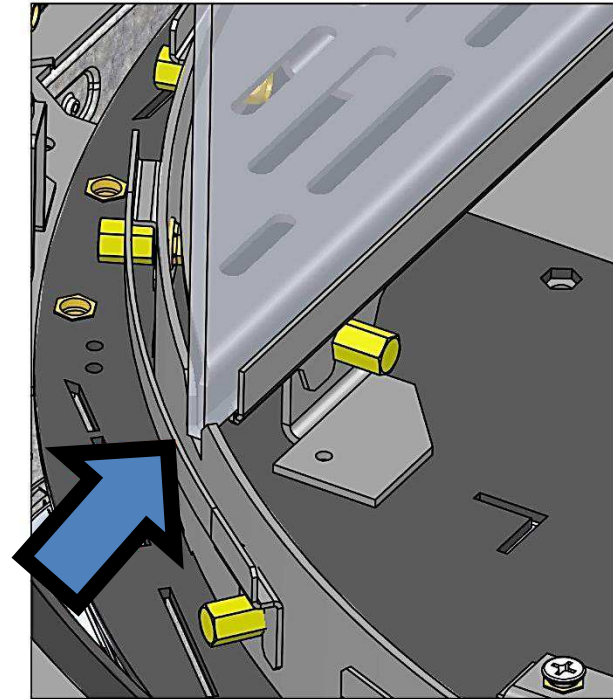
- For your safety, remember that the round fireplace structural integrity is achieved only when all glass panels are installed and secured in their correct position!



Installation – Curved Fireplaces

[GLASS PANEL INSTALLATION:

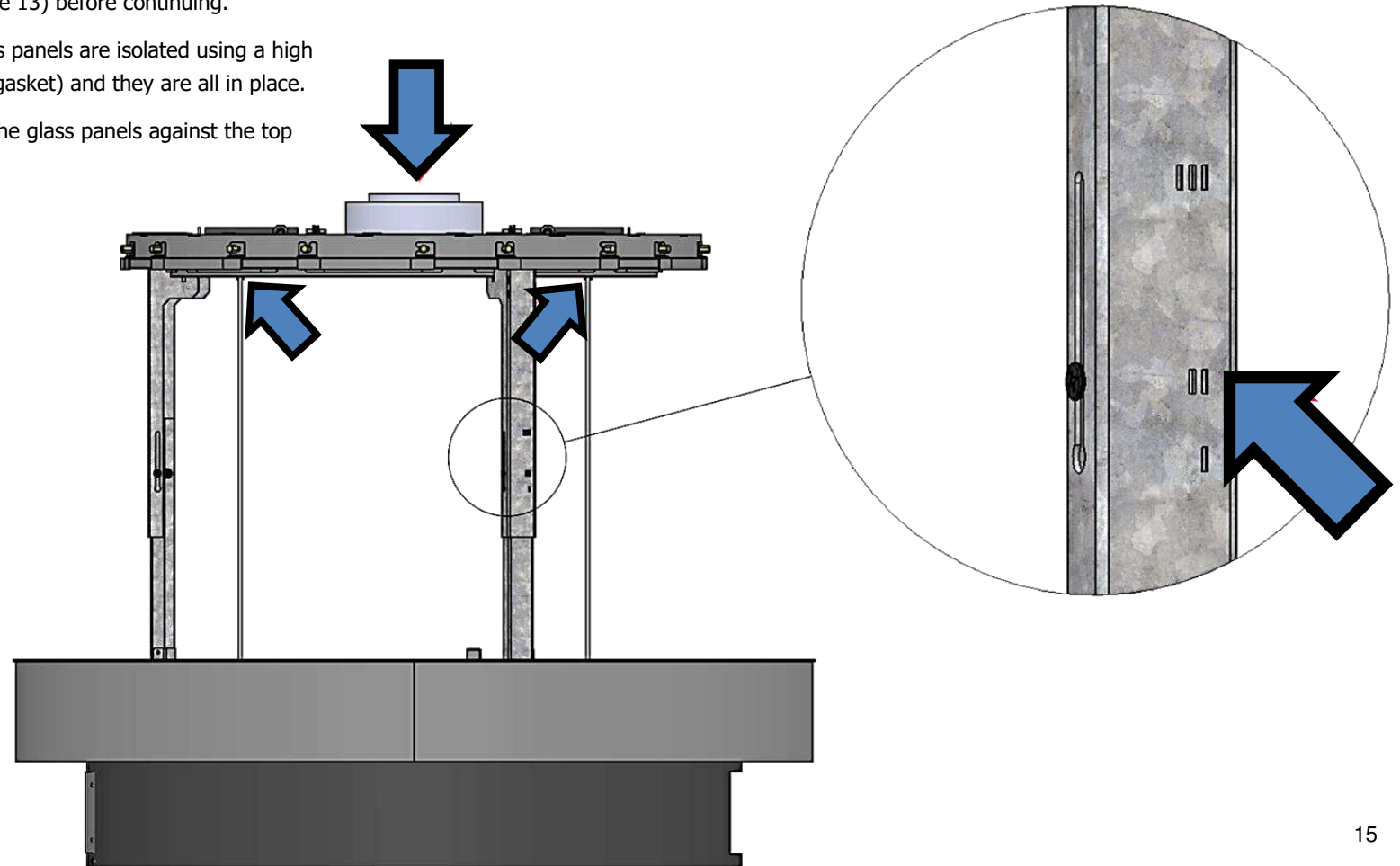
- Firmly grasp the top cover from above and gently install the flat glass panel in the bottom trim while centering the glass, and tighten into position.
- Make sure the glass panel edges do not exceed the fireplace outer base circumference. This enables the outer-curved glass installation in the next steps.
- Slightly tighten the bottom trim screws to retain the glass panel in position.
- Repeat with the opposite flat glass panel.



[Installation – Curved Fireplaces

[TOP COVER POSITIONING:

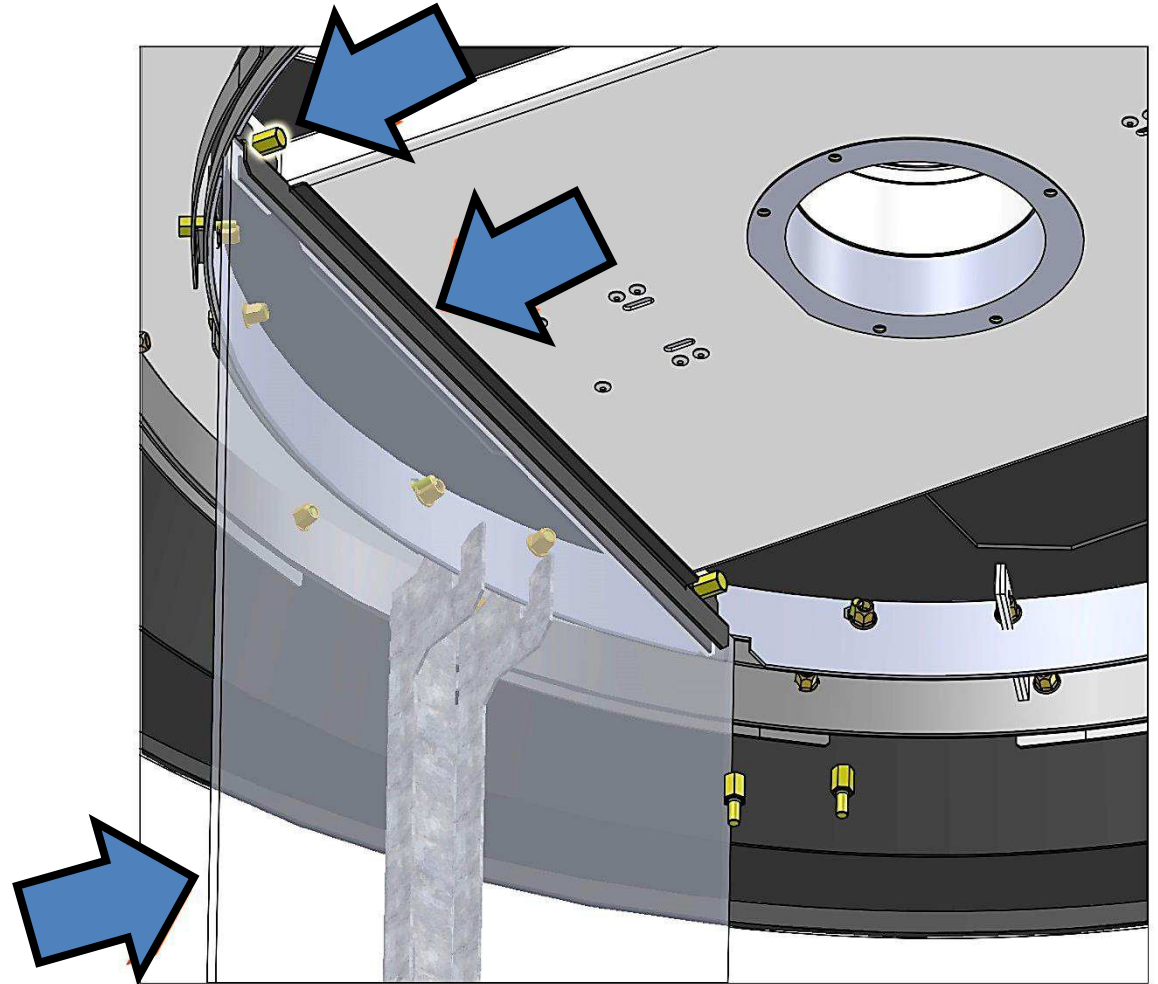
- While holding both flat glass panels parallel and perpendicular to the base, lower and position the top cover to rest on top of the glass edges.
- Before lowering the top cover, adjust the height of the legs if necessary to ensure that the entire unit is level. Make sure that the legs are tightly fastened in position 2 (see page 13) before continuing.
- Make sure the glass panels are isolated using a high temperature seal (gasket) and they are all in place.
- Vertically position the glass panels against the top trims fixed side.



Installation – Curved Fireplaces

[FLAT GLASS PANEL INSTALLATION:

- While the cover is positioned on top of the flat glass, make sure that the gasket is still in place, and attach the top trim to the correct position.
- Make sure that the glass panel edges do not exceed the outer top cover circumference. This enables the outer curved glass installation in the next steps.

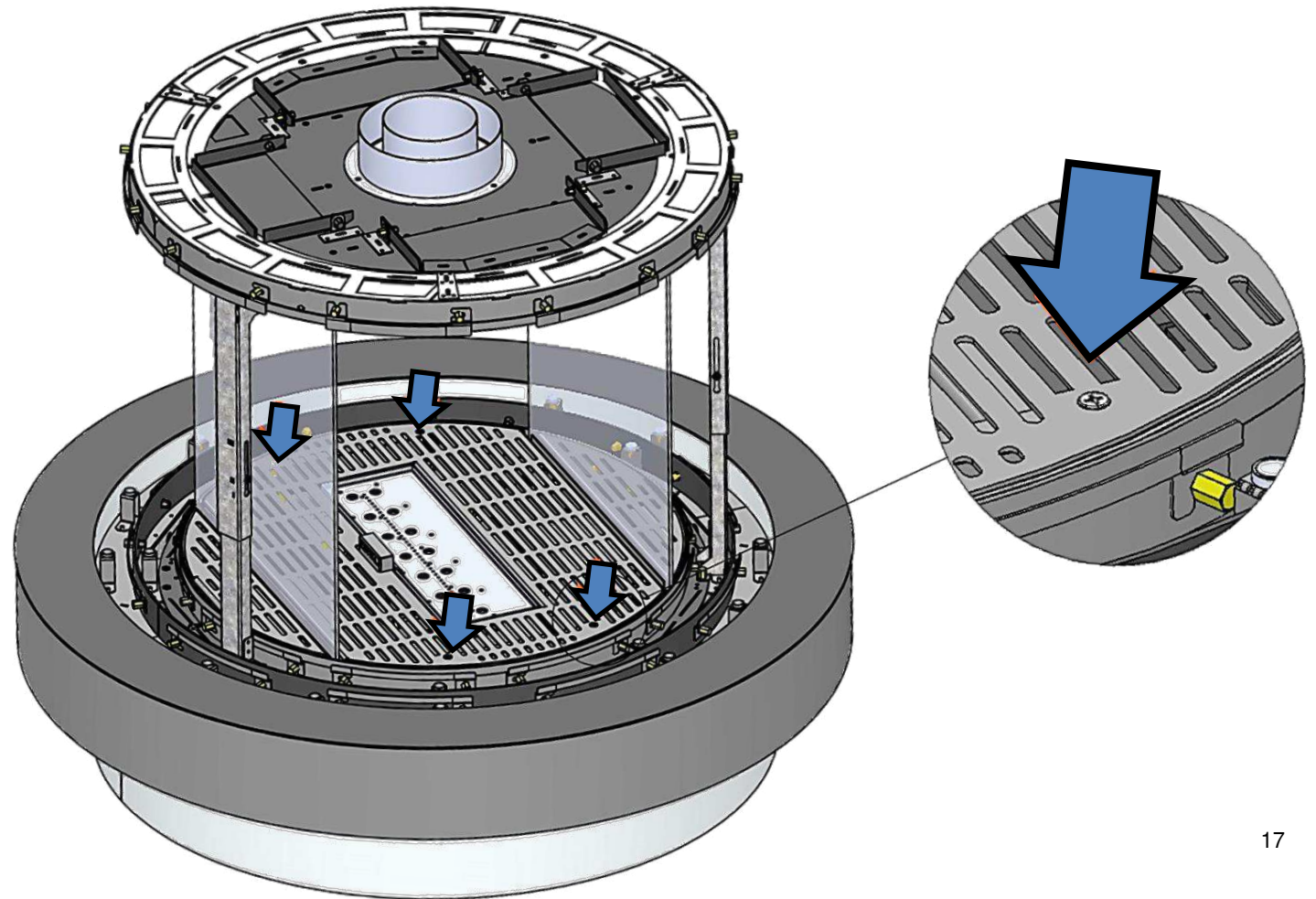


[Installation – Curved Fireplaces

[TOP GRILL INSTALLATION:

- After securing the 2 internal flat glass panels and before continuing with the curved glass installation process, return the grill cover to the correct location, and secure it with the 4 Phillips screws.

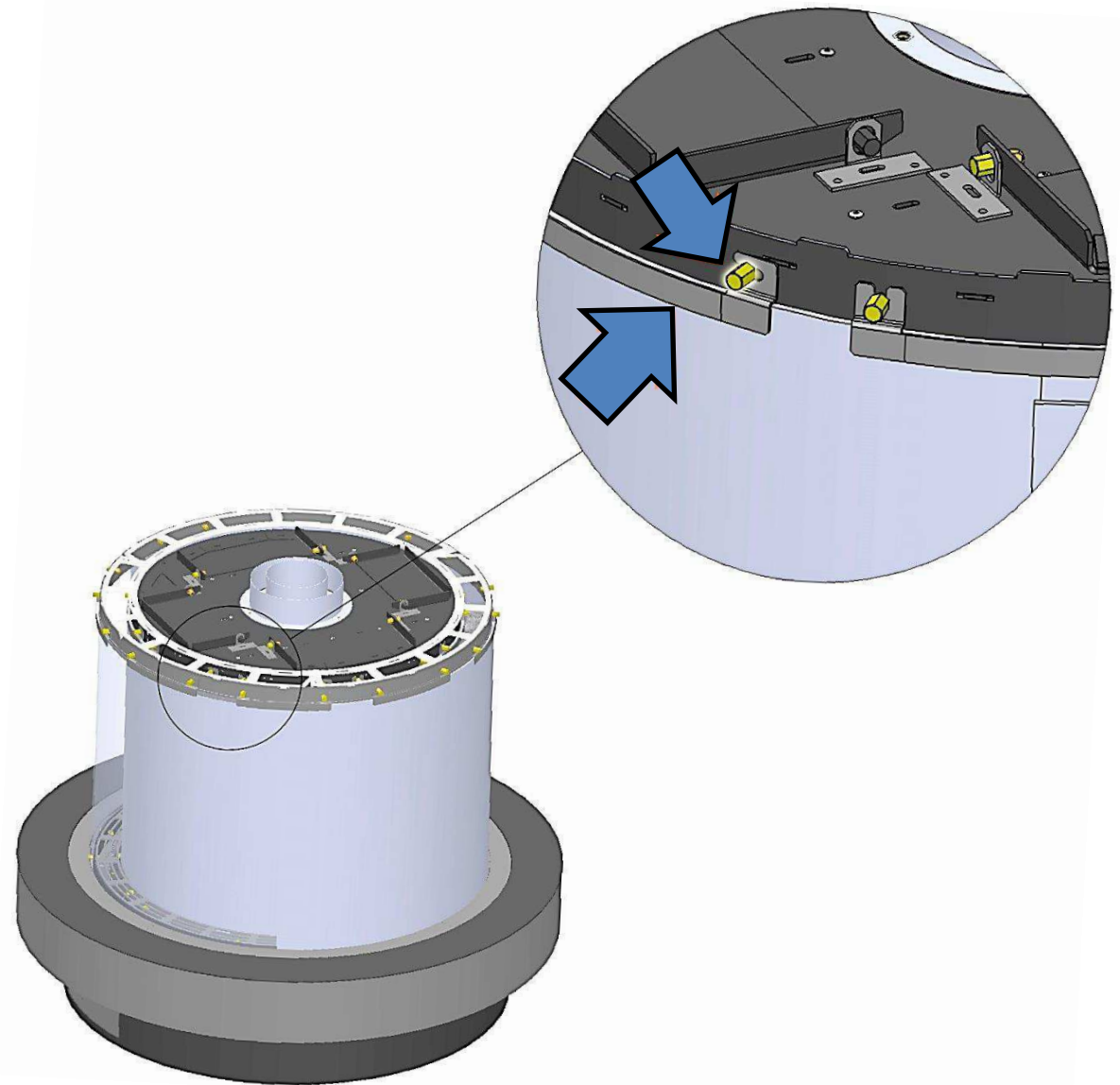
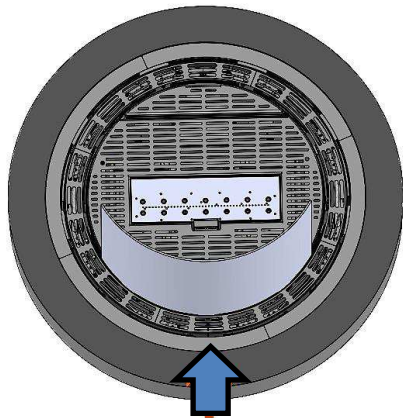
NOTE: Perform this step carefully to avoid damage to the glass panels.



[Installation – Curved Fireplaces

[CURVED GLASS PANEL INSTALLATION:

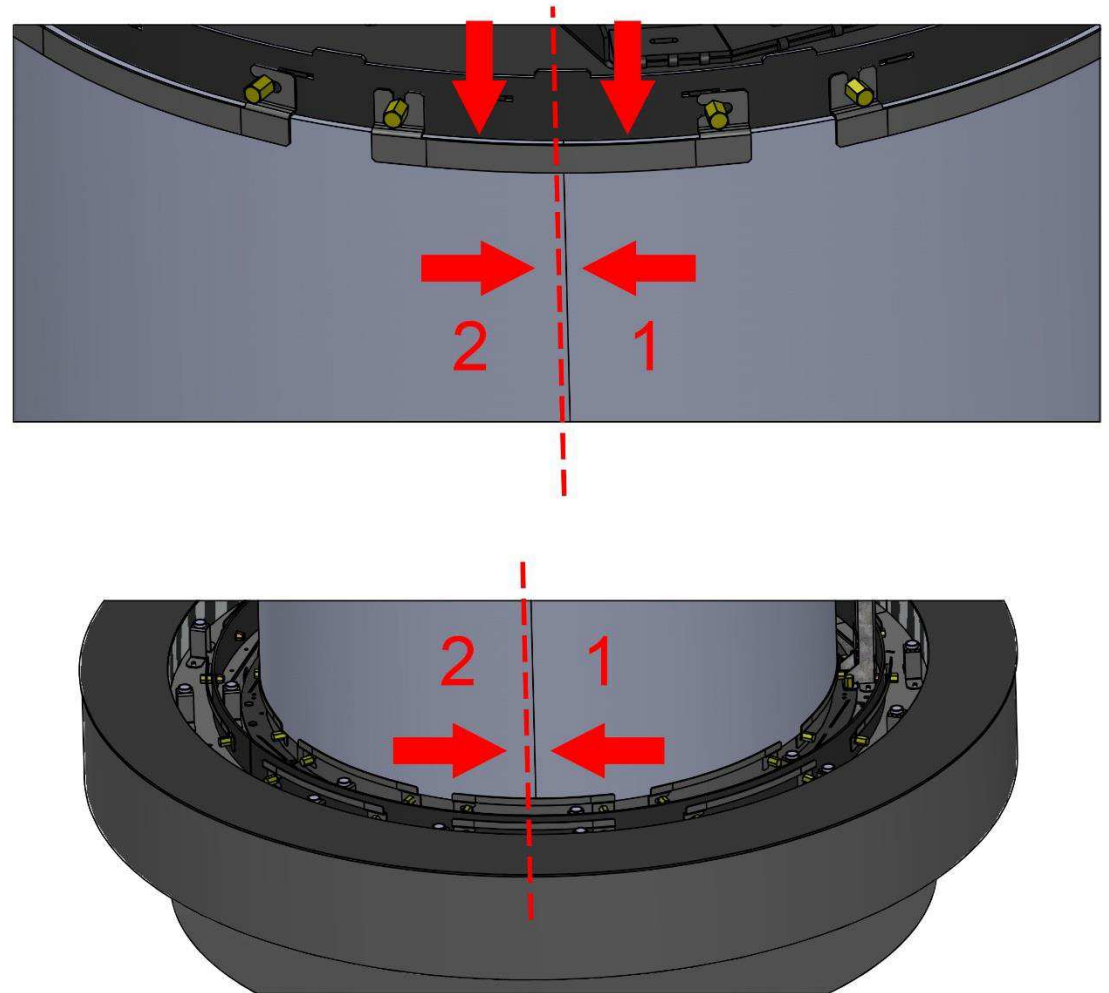
- **Note:** This installation step is important for optimal product presentation.
- Gently release the outer glass bracket screws to allow the easy insertion of the first curved glass panel.
- To enable insertion of the first curved glass panel, you will need to remove one of the support strut that is closest to the glass panel insertion point (change the support strut to position 3 prior to removal).
- Make sure that the front curved glass panel is centered and positioned.
- With the first curved glass panel in position, insert the top cover glass bracket and tighten it slightly so that it securely grasps the glass.
- **Note:** Lift all top cover glass brackets before starting this step.
- Use only one top cover glass bracket for each glass panel until all 3 panels are in place. This allows for easier adjustments. The remaining brackets can be added later to complete the process.
- Position the ORTAL logo plate to point to the fireplace front.



[Installation – Curved Fireplaces

[CURVED GLASS PANEL INSTALLATION:

- Install the next curved panel as in the previous step, and make sure that panel edges remain collinear and parallel after tightening the brackets.
- Remove a single support strut at each step to enable insertion of each curved glass panel until glass installation is complete.
- The glass edges must touch each other for optimal seal results.
- Make sure the glass edges of the next panel remain aligned and parallel after tightening the brackets.
- When you complete installing all 4 curved panels, ensure that all brackets are correctly positioned and secured (both on the fireplace base and the top cover).
- The glass comes with a silicon seal on it. Make sure it is intact and does not need to be repaired.



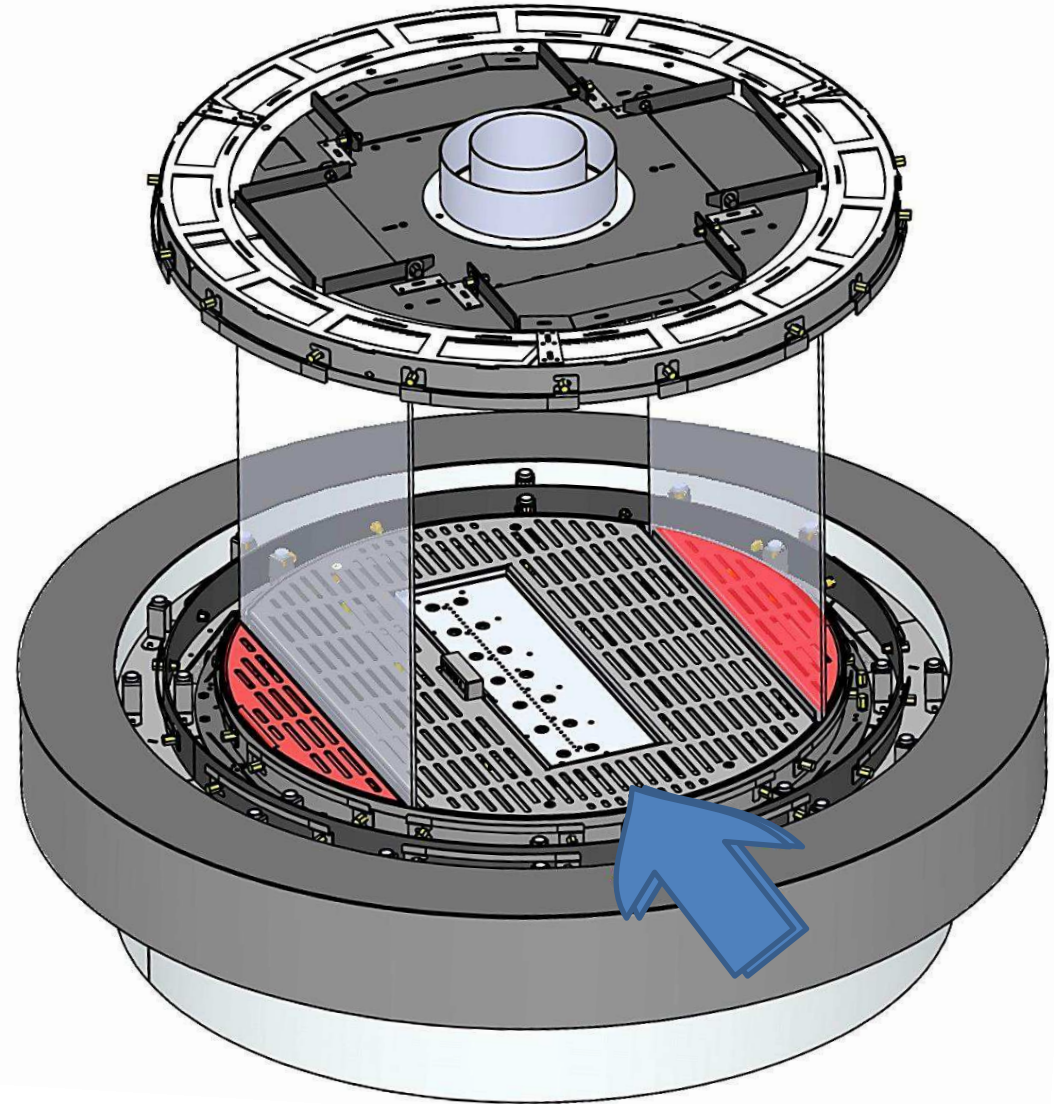
[Installation – Curved Fireplaces

[CURVED GLASS PANEL INSTALLATION:

- Before completing the installation of the last curved glass panel, arrange the logs or stone decorations on top of the burner.
- After completing the logs or stone decorative arrangements, install the last curved glass panel to close off the fireplace.

[IMPORTANT:

- To avoid oxygen circulation complications which may cause burner issues, place logs and decorative stones only on top of the central grill plate (and not on its side covers as marked in RED color in the image).



[Installation – Curved Fireplaces

[FINAL STEP:

- Complete the glass brackets installation and make sure that all glass brackets are securely tightened on the top cover and the fireplace base circumference.
- Replace the 4 peripheral decorative covers on the magnetic supports to complete the installation process.
- Install the remaining glass and profiles.

[Maintenance – Curved & Island Fireplaces

[MAINTANANCE:

The following maintenance instructions are for Round & Island Fireplaces (Island 130 and Standalone 7565 Curved Tunnel)

An annual maintenance procedure **MUST** be performed by a qualified installer!

The installer must verify the working condition of the entire fireplace installation and specifically the following items:

Internal Glass - Verify that the straight internal glass panels are in good shape: No chips, cracks or breaks. If there are, the affected panel must be replaced immediately.

Upper Ignition Valves - Ensure that the valves are in working order and that they are closed.

When the maintenance procedure is completed, verify that trims are locked in place and that the fireplace is secured in place - the roof of the fireplace should not be able to move at all.

All issues must be reported to the service provider.

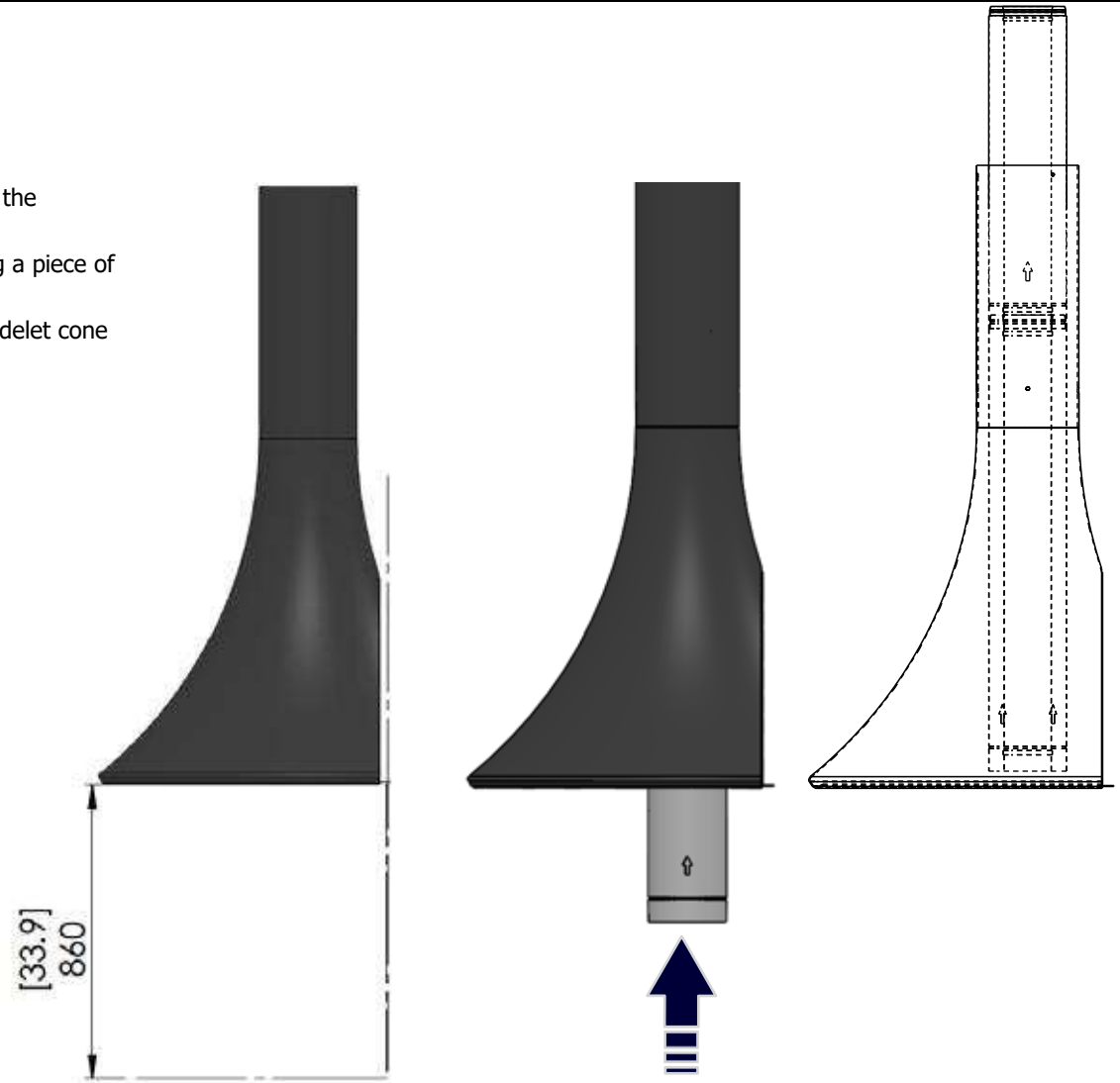
- Use the fireplace maintenance door to service the gas valve, receiver and for battery replacement (in applicable models).
- Perform the following steps for complex servicing (e.g., servicing the burner):
 1. To access the burner, lift panels located on the same side.
Note: glass supports the top of the fireplace do not remove more than one side at a time or it will collapse.
 2. Use a flat-head screwdriver to remove the closest peripheral decorative cover on the fireplace base that conceals the glass bracket screws.
Note: Only remove one side of the curved glass panels.
 3. Slightly release the bottom glass bracket screws
Note: Release only the bracket that clamps the specific glass panel that needs to be removed.
 4. Gently release the upper bracket screws, and lift the specific bracket that clamps the glass panel.
 5. Carefully lift the curved glass panel.
 6. Remove the decorative logs or stones from the burner.
 7. Lift the burner unit by releasing all eight top screws (10mm hexagonal screws).
 8. Reverse Steps 7-1 to reassemble the device.



[Installation–Wall Mounted Curved Fireplace

[VENT PIPE ASSEMBLY

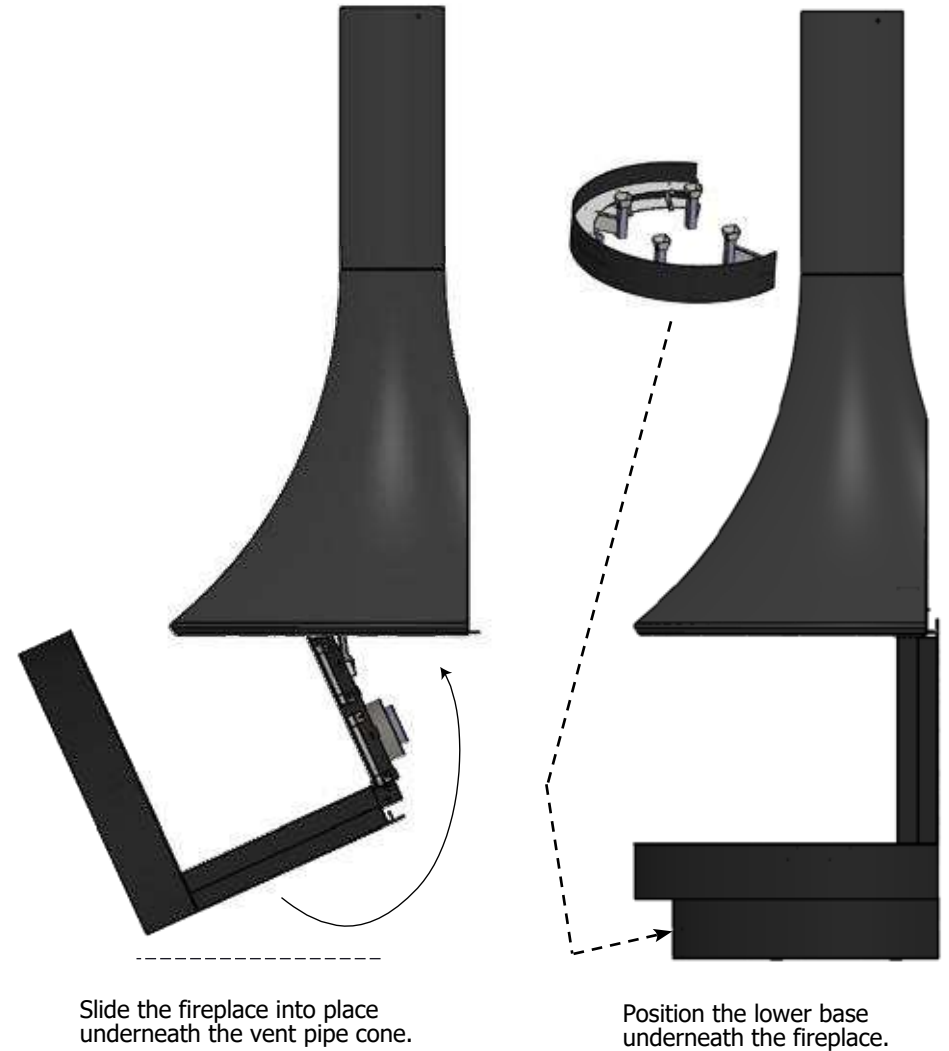
- Position the vent pipe cone in place according to the manufacturer's instructions.
- Thread the vent pipe segment into place according to the manufacturer's instructions.
- Prop the vent pipe segments above the fireplace using a piece of wood or metal.
- Fix the cone in place according to the specific J.C. Bordelet cone instructions.



[Installation–Wall Mounted Curved Fireplace

[POSITIONING THE FIREPLACE

- Remove the glass panels from the fireplace and slide the fireplace, without the lower base, into place under the vent pipe cone. This is achieved by first laying the fireplace on its side and then straightening it underneath the cone.
- Raise the fireplace and position the lower base underneath it.



[Installation–Wall Mounted Curved Fireplace

[AFFIXING FIREPLACE IN PLACE

After the fireplace is in the right position on the ground, use the holes indicated to affix it to the wall.

In case you want to hang the fireplace on the wall, use the standard Ortal hanging bracket.

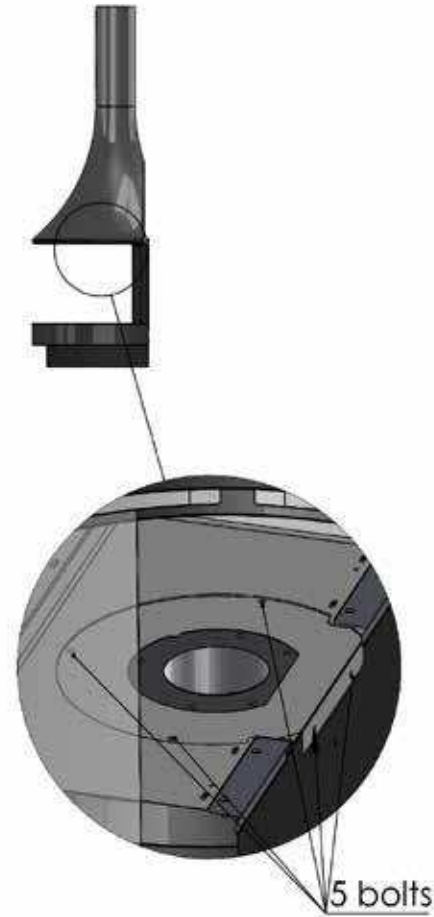
CAUTION: do not use the indicated holes for hanging.



[Installation–Wall Mounted Curved Fireplace

[VENT PIPE ASSEMBLY

- Remove the 5 bolts holding the small ring in the center of the top cover of the fireplace. Then remove the small ring and place it on the burner on the lower part of the fireplace.
- Remove the 4 bolts holding the large valve ring. Then remove the large ring and place it on top of the small ring.



Remove the 5 bolts holding the small ring.



Remove the 4 bolts holding the large ring.

[Installation–Wall Mounted Curved Fireplace

[FINISHING INSTALLATION

- At this point, lower the vent pipe segment from the top cover of the fireplace (threaded through the cone in an earlier step). Connect the vent pipe segment to the large ring using drill screws.
- Now raise the large ring with the attached vent pipe and attach it back into place with 4 screws.
- Re-attach the small ring into place in the top cover of the fireplace using 5 screws.
- Add media (e.g., logs and stones) on top of the grill as needed and complete the installation of the glass panels on the fireplace.



Attach the vent pipe to the large ring.



Raise the vent pipe back into place.



Add media and complete installation of glass panels.

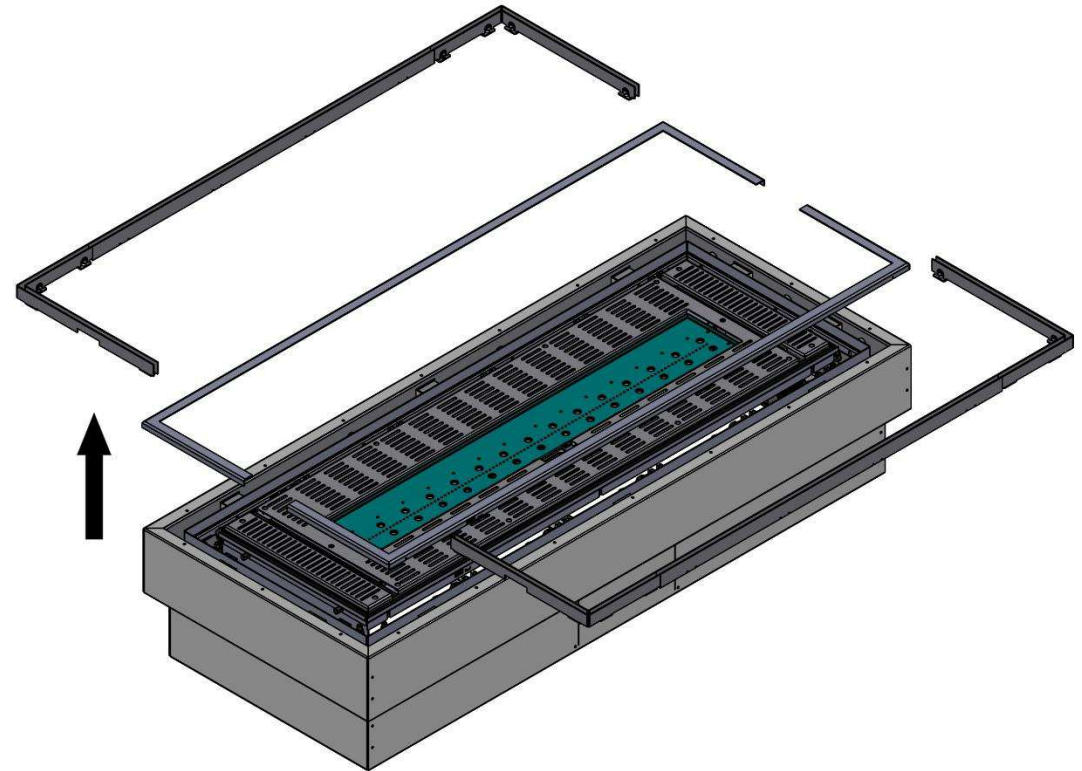
[Installation–Island Models

[BEFORE YOU BEGIN THE ISLAND FIREPLACE ASSEMBLY:

- Make sure that you have TWO installers present during installation or service process.
- Note: If you stop at any point in the installation process, make sure that any exposed parts are protected from project site debris. The gas valve and receiver must be protected during the installation/construction phase of a project.
- **Note:** In case the unit has a hood, please start with the Installation steps on page 31.

[FIRE BOX BOTTOM

- Lift the outer packaging, taking great care to safely place the glass panels in a position to minimize damage.
- Lift the top panel, and release the fire box base from the pallet.
- Lift the two loose 'C' shape trims that cover the glass lower retaining strip mounting bolts.
- Install the gas system as per standard user manual enclosure



[Installation–Island Models

[INSTALLATION

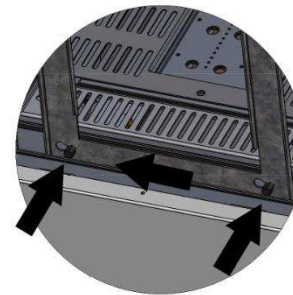
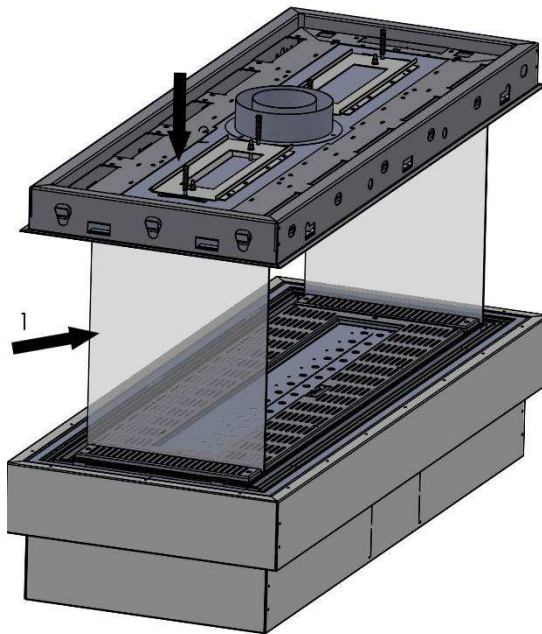
- Secure the legs of the unit to the base and make sure that the unit is level and aligned in the correct position per the design.
- Install and secure the 2 temporary supporting profiles for both corners of the island.

Note: make sure that the supporting profiles are in the maximum height mode.

- Place the lower glass retaining trims into position, and leave the bolts slightly loose.

Note: At this stage, assistance is required to hold the glass panel(s) in position.

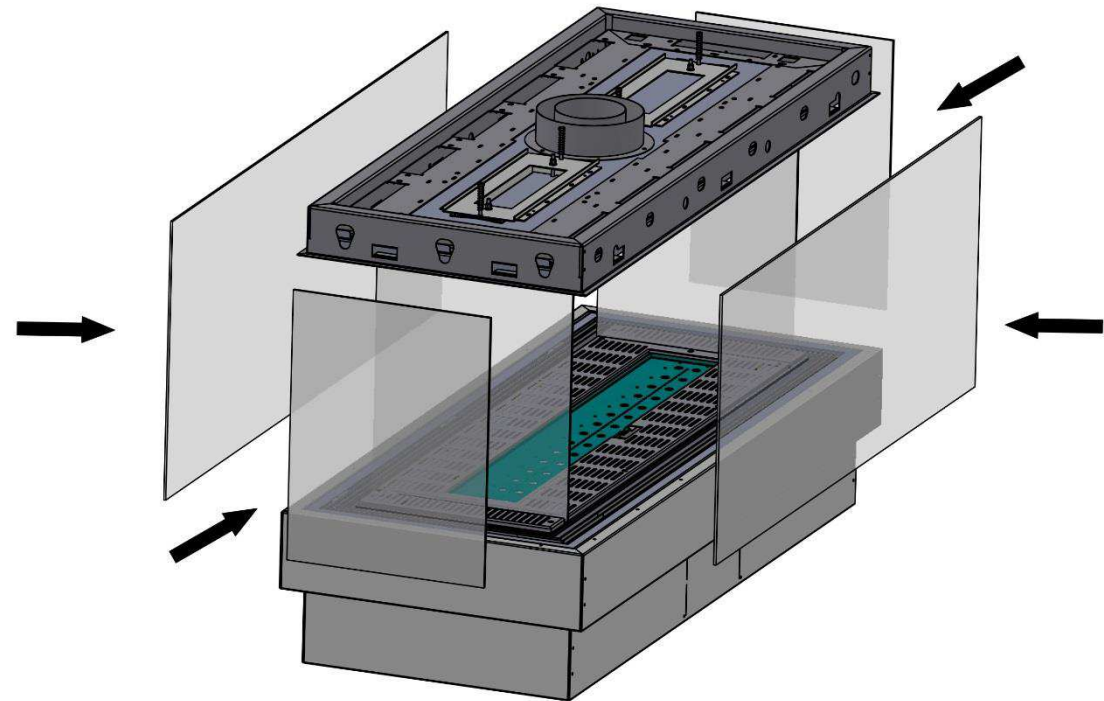
- Slide the inner 2 separating glass panels carefully into the slots between the bottom and upper trims.
- Support the glass so that it cannot move from the vertical position.
- Make sure that there is an upper gasket attached to the top metal panel where the glass is located.
- Carefully remove the two support brackets and lower the top onto the glass



[Installation–Island Models

[INSTALLATION

- Fit the glass upper retaining strips into position, and finger tighten them only at this stage while it still supports the top weight panel.
- When the 2 small glasses are located and secured, enter the 2 big glasses to position and make sure that the corners are connected to each other, and are square and vertical.
- Tighten all the glass retaining bolts.
Note: Over-tightening could result in damage to the glass pane.
- Carefully lift the top panel support, and check that the top is fully supported by the glass.
- Clean all the glass pieces. Once cleaned, any finger marks must be removed before igniting the fireplace.
- Place 2 pieces of glass (two short sides) into the retaining strips, and finger tighten the bolts only. make sure that the corners are connected to each other, and are square and vertical.
- Enter the upper trims and fully tightened the bolts.
- Fit the 2 'C' shaped trims that cover the glass lower retaining strip mounting bolts.
- **CAUTION:** never remove glass for more than one side.

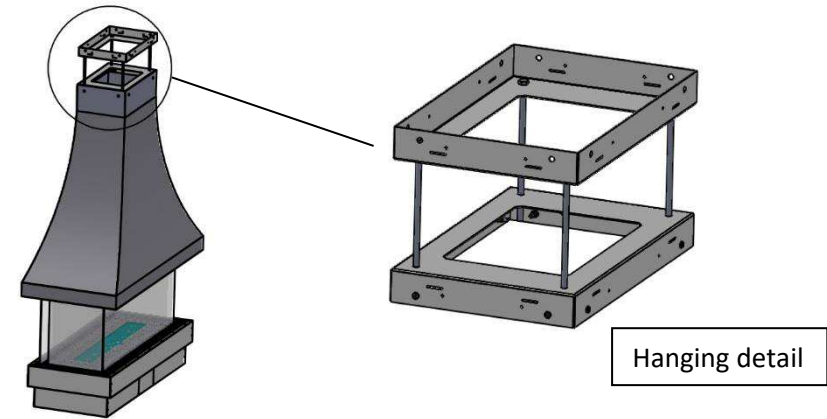


[Installation–Island Models

[INSTALLATION

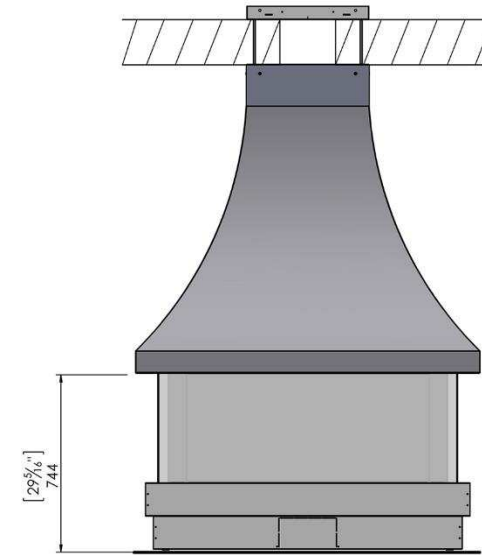
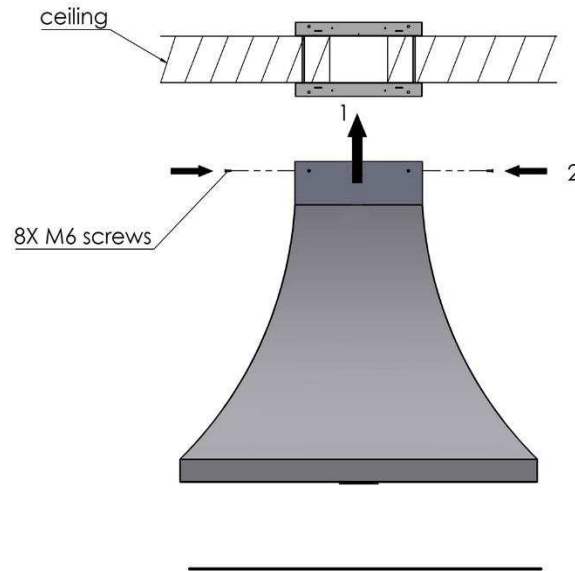
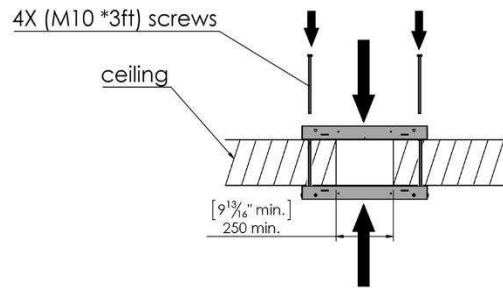
- Assemble the flue parts as necessary, and place the canopy into position with the flue inside, as indicated by the installation clearances.
- Lift the canopy and connect the flue to the fire top panel, ensuring that the joint is sealed and mechanically sound.
- After lowering the canopy into position, complete the flue installation, and consider access to joints and the canopy top extension fitting.
- Following these steps please place the fireplace in its position as per page 28-30.
- Ensure that all joints are sealed and mechanically sound.
- Install selected interior media per image.

Place media (e.g., logs, pebbles) in the center and not between the exterior and interior short sides on either side. Please see ORTAL Installation manual.

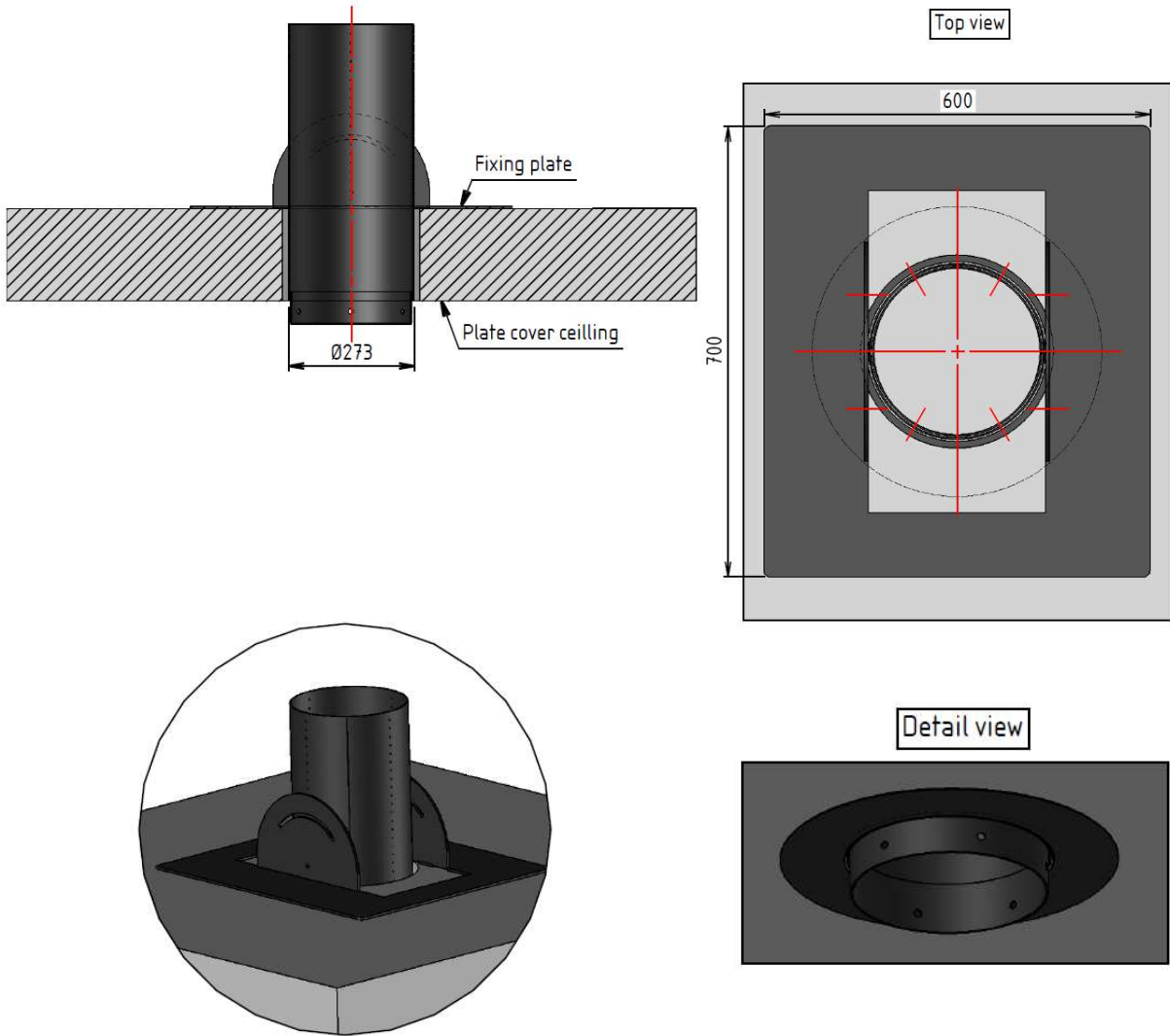


[Installation–Island Models

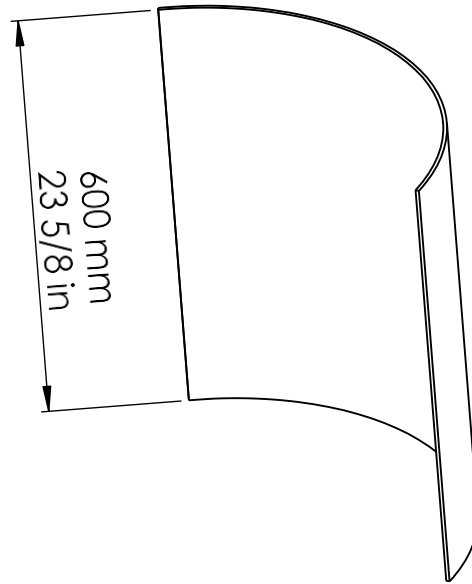
Note: Install the proper restrictor per the venting diagram.



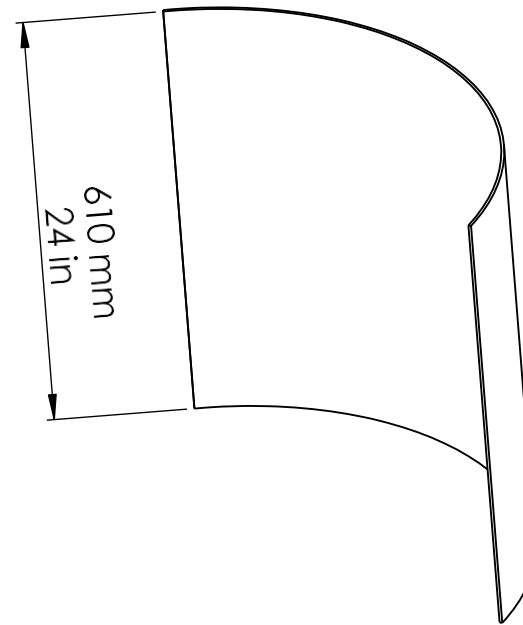
[BORDELET Chimney



INNER GLASS



OUTER GLASS



Clearances for 7565 Curved Tunnel DG – Self Top Cover

